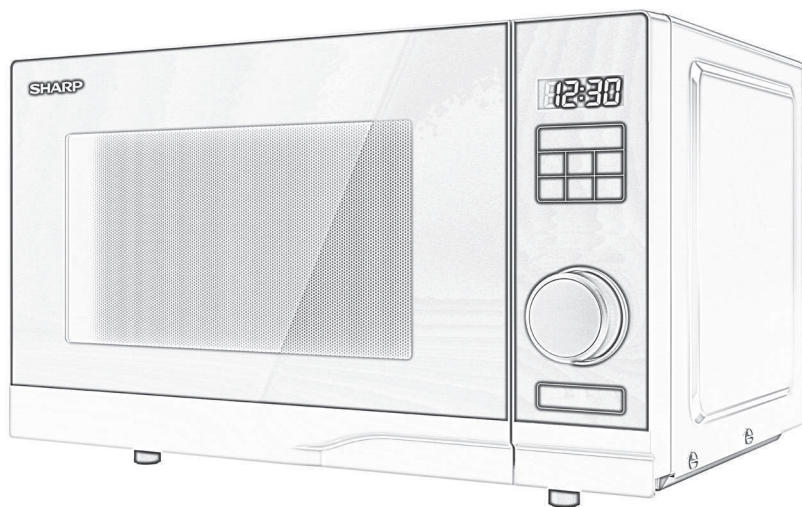


SHARP



User manual

YC-PS204A, YC-PS234A, YC-PS254A, YC-PG204A, YC-PG234A, YC-PG254A, YC-PG284A

Microwave oven



*Product images are for illustration purpose only. Actual product may vary.



Attention:

Your product is marked with this symbol. It means that used electrical and electronic products should not be mixed with general household waste. There is a separate collection system for these products.



www.sharpconsumer.com/contact/



www.sharpconsumer.com/support/



www.sharpconsumer.com/documents-of-conformity/

A. Information on Disposal for Users (private households)

1. In the European Union

Attention: If you want to dispose of this equipment, please do not use the ordinary dustbin!

Used electrical and electronic equipment must be treated separately and in accordance with legislation that requires proper treatment, recovery and recycling of used electrical and electronic equipment.

Following the implementation by member states, private households within the EU states may return their used electrical and electronic equipment to designated collection facilities free of charge*.

In some countries* your local retailer may also take back your old product free of charge if you purchase a similar new one.

*) Please contact your local authority for further details.

If your used electrical or electronic equipment has batteries or accumulators, please dispose of these separately beforehand according to local requirements. By disposing of this product correctly you will help ensure that the waste undergoes the necessary treatment, recovery and recycling and thus prevent potential negative effects on the environment and human health which could otherwise arise due to inappropriate waste handling.

2. In other Countries outside the EU

If you wish to discard this product, please contact your local authorities and ask for the correct method of disposal.

For Switzerland: Used electrical or electronic equipment can be returned free of charge to the dealer, even if you don't purchase a new product.

Further collection facilities are listed on the homepage of www.swico.ch or www.sens.ch.

B. Information on Disposal for Business Users

1. In the European Union

If the product is used for business purposes and you want to discard it:

Please contact your SHARP dealer who will inform you about the take-back of the product. You might be charged for the costs arising from take-back and recycling. Small products (and small amounts) might be taken back by your local collection facilities.

For Spain: Please contact the established collection system or your local authority for take-back of your used products.

2. In other Countries outside the EU

If you wish to discard of this product, please contact your local authorities and ask for the correct method of disposal.

For service, please refer to www.sharpconsumer.com/contact/, for your warranty rights go to www.sharpconsumer.com/support/ or contact the retailer where you purchased your product.

Declarations of conformity are available from www.sharpconsumer.com/documents-of-conformity/

PRECAUTIONS TO AVOID POSSIBLE EXPOSURE TO MICROWAVE ENERGY

1. Do not attempt to operate this oven with the door open as this can result in harmful exposure to microwave energy. It is important not to defeat or tamper with the safety interlocks.
2. Do not insert anything between the oven front face and the door or allow debris or cleaner residue to accumulate on sealing surfaces.
3. Do not operate the oven if it is damaged. It is very important that the oven door closes properly and that there is no damage to the door, hinges, latches or door seals and sealing surfaces.
4. Do not attempt to repair or adjust the oven.

CONTENTS

IMPORTANT SAFETY INSTRUCTIONS.....	3
INSTALLATION.....	10
RADIO INTERFERENCE	11
GROUNDING (EARTHING) INSTRUCTIONS.....	11
SPECIFICATIONS.....	11
OVEN AND ACCESSORIES	12
CONTROL PANEL.....	13
BEFORE USING THE OVEN.....	14
SETTING THE CLOCK.....	14
MICROWAVE COOKING.....	15
QUICK START	16
GRILL COOKING*.....	16
MICROWAVE + GRILL*.....	16
AUTO MENU	17
AUTO DEFROST	20
AUTO REHEAT*.....	20
KITCHEN TIMER	21
POWER SAVING FUNCTION.....	21
MUTE FUNCTION	21
SAFETY LOCK	21
CHILD LOCK.....	21
CLEANING AND CARE	22
SUITABLE OVENWARE	23
MICROWAVE COOKING ADVICE.....	24
DEFROSTING ADVICE	26
REHEATING ADVICE	27
TROUBLESHOOTING	28
BEFORE CALLING FOR ASSISTANCE	30

* - Only for models with Grill.

IMPORTANT SAFETY INSTRUCTIONS

READ CAREFULLY AND KEEP FOR FUTURE REFERENCE

To avoid the danger of fire. The microwave oven should not be left unattended during operation. Power levels that are too high, or cooking times that are too long, may overheat foods resulting in a fire.

This oven is designed to be used on a countertop only. It is not designed to be built into a kitchen unit. Do not place the oven in a cabinet. The electrical outlet must be readily accessible so that the unit can be unplugged easily in an emergency.

The AC power supply must be 230-240 V, 50 Hz, with a minimum 10 A distribution line fuse, or a minimum 10A distribution circuit breaker. A separate circuit serving only this appliance should be provided.

Do not place the oven in areas where heat is generated. For example, close to a conventional oven. Do not install the oven in an area of high humidity or where moisture may collect. Do not store or use the oven outdoors.

If smoke is observed, switch off or unplug the oven and keep the door closed in order to stifle any flames.

Use only microwave-safe containers and utensils. Utensils should be checked to ensure that they are suitable for use in microwave ovens.

When heating food in plastic or paper containers, keep an eye on the oven due to the possibility of ignition.

Clean the waveguide cover and the oven cavity. These must be dry and free from grease. Built up grease may overheat and begin to smoke or catch fire.

Do not place flammable materials near the oven or ventilation openings. Do not block the ventilation openings.

Remove all metallic seals, wire twists, etc., from food and food packages. Arcing on metallic surfaces may cause a fire.

Do not use the microwave oven to heat oil for deep frying. The temperature cannot be controlled and the oil may catch fire.

To make popcorn, use only special microwave popcorn makers.

Do not store food or any other items inside the oven.

Check the settings after you start the oven to ensure the oven is operating as desired.

Do not leave the oven unattended while it is operating.

To avoid overheating and fire, special care must be taken when cooking or reheating foods with a high sugar or fat content, for example, Sausage rolls, Pies or Christmas pudding. See the corresponding hints in the user manual.

To avoid the possibility of injury. WARNING:

Do not operate the oven if it is damaged or malfunctioning. Check the following before use:

- a) Make sure the door closes properly and ensure it is not misaligned or warped.
- b) Check to make sure the hinges and safety door latches are not broken or loose.
- c) Ensure that the door seals and sealing surfaces have not been damaged.
- d) Make sure inside the oven cavity or on the door are no dents.
- e) Ensure that the power supply cord and plug are not damaged.

If the door or door seals are damaged, the oven must not be operated until it has been repaired by a competent person.

Never adjust, repair or modify the oven yourself. It is hazardous for anyone other than a competent person to carry out any service or repair operation which involves

the removal of a cover which gives protection against exposure to microwave energy.

Do not operate the oven with the door open or alter the door safety latches in any way. Do not operate the oven if there is an object between the door seals and sealing surfaces.

Do not allow grease or dirt to build up on the door seals and adjacent parts. Clean the oven at regular intervals and remove any food deposits.

Follow the instructions for “Care and Cleaning”. Failure to maintain the oven in a clean condition could lead to a deterioration of the surface that could adversely affect the life of the appliance and possibly result in a hazardous situation.

Individuals with PACEMAKERS should check with their doctor or the manufacturer of the pacemaker for precautions regarding microwave ovens.

To avoid the possibility of electric shock.

- Under no circumstances should you remove the outer cabinet.
- Never spill or insert any objects into the door lock openings or ventilation openings. In the event of a spill, turn off and unplug the oven immediately, and call an authorised SHARP service agent.
- Do not immerse the power supply cord or plug in water or any other liquid.
- Do not let the power supply cord hang over the edge of a table or work surface.
- Keep the power supply cord away from heated surfaces, including the rear of the oven.
- Keep the appliance and its cord out of reach of children less than 8 years.
- Do not attempt to replace the oven lamp yourself or allow

anyone who is not an electrician authorised by SHARP to do so. If the oven lamp fails, please consult your dealer or an authorised SHARP service agent.

- If the power supply cord is damaged, it must be replaced by an authorised SHARP service agent.

WARNING: Liquids and other foods must not be heated in sealed containers since they are liable to explode. Microwave heating of beverages can result in delayed eruptive boiling; therefore, care must be taken when handling the container. To avoid the possibility of explosion and sudden boiling:

Never use sealed containers. Remove seals and lids before use. Sealed containers can explode due to a build-up of pressure even after the oven has been turned off. Take care when microwaving liquids. Use a wide mouthed container to allow bubbles to escape.

Never heat liquids in narrow necked containers such as baby bottles, as this may result in the contents erupting from the container when heated and cause burns.

To prevent sudden eruption of boiling liquid and possible scalding:

1. Do not use excessive amount of time.
2. Stir liquid prior to heating/reheating.
3. It is advisable to insert a glass rod or similar (not metal) into the liquid whilst reheating.
4. Let liquid stand for at least 20 seconds in the oven at the end of cooking time to prevent delayed eruptive boiling.

Do not cook eggs in their shells, and whole hard-boiled eggs should not be heated in microwave ovens since they may explode even after microwave cooking has ended. To cook or reheat eggs which have not been scrambled or

mixed, pierce the yolks and the whites. Shell and slice hard boiled eggs before reheating them in the microwave oven.

Pierce the skin of such foods as potatoes, sausages and fruit before cooking, or they may explode.

WARNING: The contents of feeding bottles and baby food jars must be stirred or shaken and the temperature checked before consumption, in order to avoid burns. Use pot holders or oven gloves when removing food from the oven to prevent burns. To avoid the possibility of burns:

- Always open containers, popcorn makers, oven cooking bags, etc., away from the face and hands to avoid steam burns and eruption of boiling. To avoid burns, always test food temperature and stir before serving and pay special attention to the temperature of food and drink given to babies, children or the elderly. Accessible parts may become hot during use. Young children should be kept away.
- Temperature of the container is not a true indication of the temperature of the food or drink; always check the food temperature.
- Always stand back from the oven door when opening it to avoid burns from escaping steam and heat.
- Slice stuffed baked foods after heating to release steam and avoid burns.
- Keep children away from the door to prevent them burning themselves.

WARNING: Only allow children aged from 8 years and above to use the oven without supervision when adequate instructions have been given so that the child is able to use the oven in a safe way and understands the hazards of improper use.

When the appliance is operated in the GRILL, MIX GRILL, CONVECTION, MIX CONVECTION and AUTO MENU mode

(mode applicable to model), children should only use the oven under adult supervision due to the temperature generated.

This appliance is not intended for use by persons (including children) with reduced physical, sensory or mental capabilities, or lack of experience and knowledge, unless they have been given supervision or instruction concerning use of the appliance by a person responsible for their safety.

Children should be supervised to ensure that they do not play with the appliance. Cleaning by children should be monitored.

Models with Electronic touch panel are enabled with a child lock mode.

Do not lean or swing on the oven door. Do not play with the oven or use it as a toy.

Children should be taught all important safety instructions: use of pot holders, careful removal of food coverings - paying special attention to packaging (e.g., self-heating materials) designed to make food crisp, as they may be extra hot.

Other warnings

Never modify the oven in any way.

Do not move the oven while it is in operation.

This appliance is intended to be used in household. This oven is for home food preparation and may only be used for cooking food and beverages. Drying of food or clothing and heating of warming pads, slippers, sponges, damp cloth and similar may lead to risk of injury, ignition or fire. It is not suitable for commercial or laboratory use.

To promote trouble-free use of your oven and avoid damage.

Never operate the oven when it is empty. When using a browning dish or self-heating material, always place a heat-resistant insulator such as a porcelain plate under it to prevent damage to the oven base due to heat stress. The preheating time specified in the dish's instructions must not be exceeded.

Do not use metal utensils, which reflect microwaves and may cause electrical arcing. Do not put cans in the oven.

To prevent the turntable or base of the oven breaking:

- a) Before cleaning with water, leave to cool.
- b) Do not put hot or cold foods or hot utensils on a cold turntable/oven base.
- c) Do not place anything on the outer cabinet during operation.

NOTE:

Do not use plastic containers for microwaving if the oven is still hot from using a combination mode (oven model dependant) because they may melt.

Plastic containers must not be used during above modes unless the container manufacturer says they are suitable.

If you are unsure how to connect your oven, please consult an authorised, qualified electrician.

Neither the manufacturer nor the dealer can accept any liability for damage to the oven or personal injury resulting from failure to observe the correct electrical connection procedure.

Water vapour or drops may occasionally form on the oven walls or around the door seals and sealing surfaces. This is a normal occurrence and is not an indication of microwave leakage or a malfunction.

This appliance is intended for use in household and similar

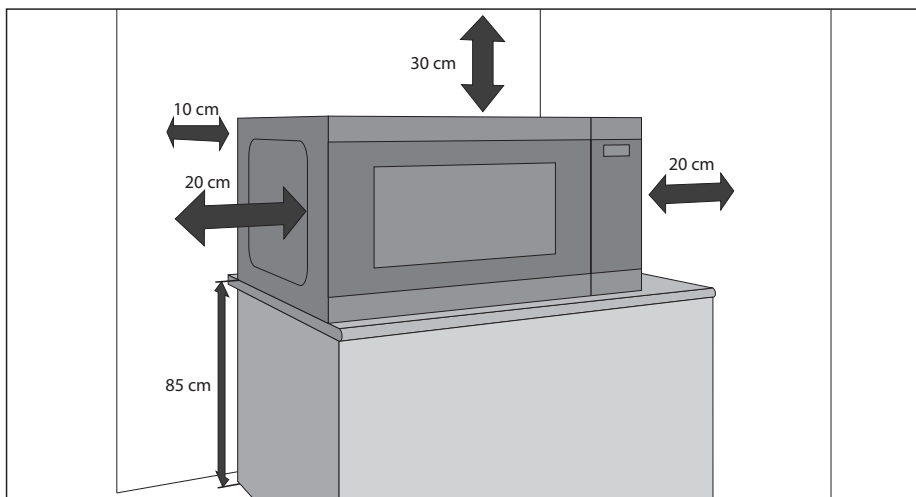
applications such as; Kitchen areas reserved for staff in stores, offices and other professional environments / Farms / Use by clients of hotels, motels and other residential type environments / Bed and breakfast type environments.



This symbol means that the surfaces are liable to get hot during use.

INSTALLATION

1. Remove all packing materials from the inside of the oven cavity and remove any protective film found on the microwave oven cabinet surface.
2. Check the oven carefully for any signs of damage.
3. Place the oven on a secure, level surface, strong enough to take the oven weight, plus the heaviest item likely to be cooked in the oven. Do not place the oven in a cabinet.
4. Select a level surface that provide enough open space for the intake and/or outlet vents. See picture on the first page. The rear surface of appliance can be placed against a wall.
 - The minimum installation height is 85 cm.
 - A minimum space of 20 cm is required between the sides of the microwave oven and any adjacent walls or objects.
 - Leave a minimum space of 30 cm above the oven.
 - Do not remove the feet from the bottom of the oven.
 - Blocking the intake and/or outlet openings can damage the oven.
 - Place the oven as far away from radios and TV as possible. Operation of microwave oven may cause interference to your radio or TV reception.



5. Securely connect the plug of the oven to a standard earthed (grounded) household electrical outlet.

WARNING:

Do not place the oven where heat, moisture or high humidity are generated, (for example, near or above a conventional oven) or near combustible materials (for example, curtains).

Do not block or obstruct air vent openings.

Do not place objects on top of the oven.

Do not touch the exterior of the microwave oven during or shortly after operation as it will be hot.

RADIO INTERFERENCE

Operation of the microwave oven may cause interference to your radio, TV, or similar equipment. If there is interference, it may be reduced or eliminated by taking the following measures:

1. Clean the door and cavity where they meet.
2. Change the direction of the receiving antenna of the radio or television.
3. Relocate the microwave oven with respect to the receiver.
4. Plug the microwave oven into a different outlet so that microwave oven and receiver are not on the same mains feed.

GROUNDING (EARTHING) INSTRUCTIONS

This appliance must be grounded. This oven is equipped with a cord having a grounding wire with a grounding plug. It must be plugged into a wall socket that has been properly installed and grounded. In the event of an electrical short circuit, grounding reduces risk of electric shock by providing an escape wire for the electric current. It is recommended that a separate circuit serving only the oven be provided.



WARNING: Improper use of the grounding plug can result in a risk of electric shock.

NOTE:

1. If you have any questions about the grounding or electrical instructions, consult a qualified electrician or service person.
2. Neither the manufacturer nor the dealer can accept any liability for damage to the oven or personal injury resulting from failure to observe the electrical connection procedures.

The mains lead used in your microwave oven uses the following colour coded wires:

Green and Yellow = EARTH

Blue = NEUTRAL

Brown = LIVE

SPECIFICATIONS

Model name:	YC-PS204A	YC-PS234A	YC-PS254A	YC-PG204A	YC-PG234A	YC-PG254A	YC-PG284A
AC Line Voltage	230~240 V, 50 Hz single phase						
Distribution line fuse/circuit breaker	10 A						
Power:	Microwave	700 W	900 W	900 W	700 W	900 W	900 W
	Grill			900 W	1000 W	1000 W	1000 W
	Off Mode	<0.5W					
	Energy Save Mode	>0.5W					
	AC Power required	1200 W	1400 W	1400 W	1400 W	1400 W	1400 W
Microwave Frequency	2450 MHz*						
Outside Dimensions (W) x (H) x (D) mm	455 x 274 x 334	483 x 281 x 377	483 x 281 x 403	455 x 274 x 345	483 x 281 x 395	483 x 281 x 403	539 x 309 x 441
Cavity Dimensions (W) x (H) x (D)** mm	315 x 198 x 297	340 x 220 x 320	340 x 220 x 344	315 x 198 x 297	340 x 220 x 320	340 x 220 x 344	354 x 220 x 358
Oven Capacity	20 litres**	23 litres**	25 litres**	20 litres**	25 litres**	25 litres**	28 litres**
Turntable Diameter	245mm	270mm	270mm	245mm	270mm	270mm	325mm
Grill Rack Size (W) x (D) mm				190 x 79	80 x 208	80 x 208	89 x 285
Weight	approx. 10,5 kg	approx. 12,9 kg	approx. 13,5 kg	approx. 10,9 kg	approx. 13,9 kg	approx. 13,7 kg	approx. 16,6 kg
Oven Lamp (LED type)	1,5 W						

* - This Product fulfils the requirement of the European standard EN55011. In conformity with this standard, this product is classified as group 2 class B equipment.

Group 2 means that the equipment intentionally generates radio-frequency energy in the form of electromagnetic radiation for the heat treatment of food.

Class B equipment means that the equipment is suitable to be used in domestic establishments.

** - Internal capacity is calculated by measuring maximum width, depth and height. Actual capacity for holding food is less.

AS PART OF A POLICY OF CONTINUOUS IMPROVEMENT, WE RESERVE THE RIGHT TO ALTER DESIGN AND SPECIFICATIONS WITHOUT NOTICE.

OVEN AND ACCESSORIES

1. Door safety lock system
2. Oven window
3. Roller Ring
4. Turntable Coupling
5. Jog dial and control buttons
6. Waveguide Cover (Do Not remove)
7. Glass Tray
8. Grill Rack for YC-PG204A, YC-PG234A, YC-PG254A and YC-PG284A
9. Ventilation openings
10. Outer cabinet
11. Power supply cord

Check to make sure the following accessories are provided:

Grill ovens only:

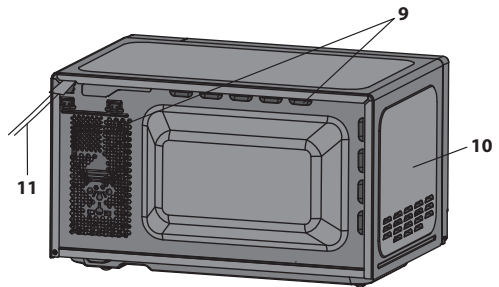
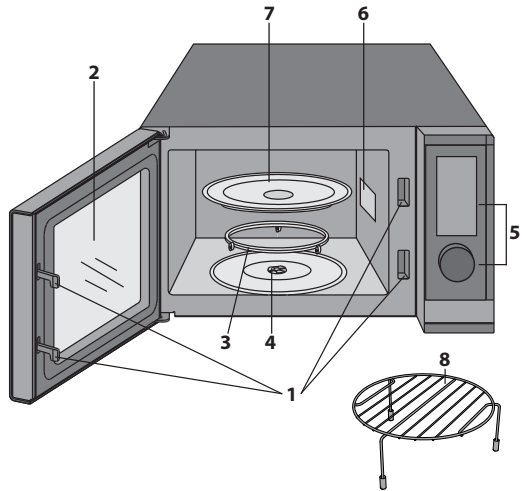
- **Grill Rack** – for use when cooking on the grill function only.
- The Grill Rack is designed for use with grill ovens only. **DO NOT** use the rack when using the microwave function.
- For use of the Grill Rack refer to the GRILL sections of this User Manual.

Never touch the grill when it is hot.

NOTE: When you order accessories, please mention two items: part name and model name.

NOTES:

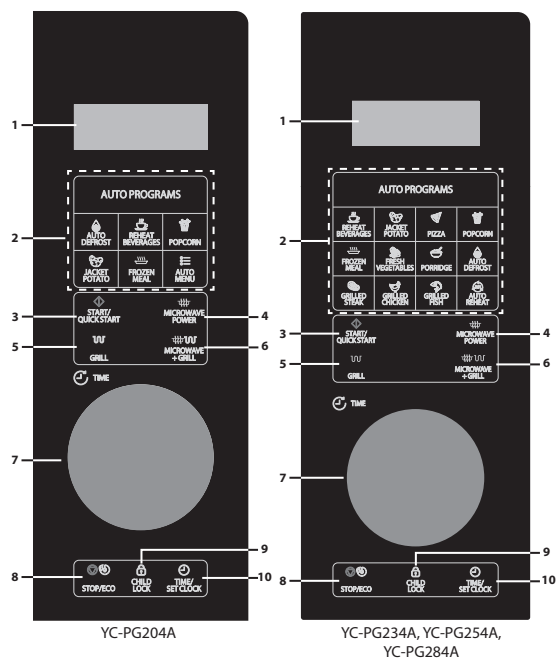
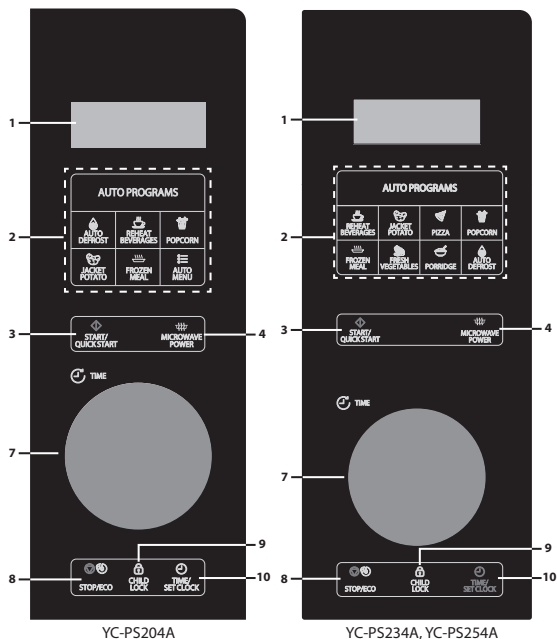
- After cooking fatty foods without a cover, always clean the cavity thoroughly, these must be dry and free from grease. Built-up grease may overheat and begin to smoke or catch fire.
- When microwaving, always place cookware on the turntable.
- **DO NOT** use the Grill Rack on the microwave only function.



⚠ WARNING: ⚠ This symbol means that the surfaces are liable to get hot during use. The door, outer cabinet, oven cavity, accessories and dishes will become very hot during operation. To prevent burns, always use thick oven gloves.

CONTROL PANEL

- DIGITAL DISPLAY** – Cooking time, power, indicators and clock time are displayed.
- AUTO MENU keys** – Press to select auto cooking menu. (Refer to page 17 for advice on use).
- START/QUICK START** – (Page 16).
- MICROWAVE POWER** – Press to select microwave power level. (Page 15).
- GRILL** – Press to set grill cooking program. (Page 16).
- MICROWAVE+GRILL** – Press to set microwave and grill combination cooking program. (Page 16).
- JOG DIAL** – Rotate clockwise or anticlockwise to set various functions. (Page 16).
- STOP/ECO** – Press once to temporarily stop cooking, or twice to cancel cooking altogether. Use to set power saving mode. (Page 21).
- CHILD LOCK** – (Page 21).
- TIME/SET CLOCK** – Use to set clock time. Use to set timer function. (Page 14).



BEFORE USING THE OVEN

When the oven first plugged in, beep will sound and the display will show "1:00". Note that the clock does not have to be set for the oven to operate correctly. To set the clock, follow the instructions in the "**Setting the Clock**" section of this User Manual.

When new, the very first time the grill is used, smoke and odors will be given off. To avoid this happening when food is being cooked, use the grill function without food for approx. 20 minutes.

- After opening and closing the door, the oven will enter the standby mode. If no buttons are press within 1 minute, the display will remain on and the buttons will not operate. To enter standby mode again, open and close the door.
- During cooking, if the **STOP/ECO** button is pressed once, the cooking cycle will be paused. To restart cooking press the **START/QUICK START** button. If the **STOP/ECO** button is pressed twice, cooking will be canceled.
- When programming the oven for a particular function and there is a pause between button presses of more than 30 seconds the oven will return to the standby mode.
- When a cooking cycle is completed, the display will show "**End**" and a tone will be heard every two minutes until a button is pressed or the door is opened.

SETTING THE CLOCK

This oven has a clock which can be used in either 12- or 24-hour mode. To set the clock, follow the instructions as below:

1. In standby mode, press and hold **TIME/SET CLOCK** button for at least 3 seconds to enter the clock setting mode.
 2. Press the **TIME/SET CLOCK** button to select the 12- or 24-hour clock mode.
 3. Rotate the **JOG DIAL** to set the hour. Press the **TIME/SET CLOCK** button to store.
 4. Rotate the **JOG DIAL** to set the minutes. Press the **TIME/SET CLOCK** button to store and exit the clock setting mode.
- It is not necessary to set the clock for the oven to work normally.
 - While in the cook mode, press the **TIME/SET CLOCK** button to see the time of day (if set). The time of day will change back to the cooking count down after five seconds. Note that the time of day can not be viewed if the kitchen timer has been set.

MICROWAVE COOKING

To use the microwave function, follow the instructions given below:

1. In standby mode, press the **MICROWAVE POWER** button to select power level. Each time this button is pressed, the display will show the microwave power level.
2. Once the desired microwave power level has been selected, rotate the **JOG DIAL** to select the time to cook.
3. Press the **START/QUICK START** button to start cooking.
4. When the cooking cycle is completed, the display will show "End" and a tone will be heard every two minutes until a button is pressed or the door is opened.

Note that the table below is for guidance. Your oven has 10 microwave power levels. These are 10%, 20%, 30%, 40%, 50%, 60%, 70%, 80%, 90% and 100%. The actual wattage output can be calculated by multiplying the microwave power by the percentage.

Microwave Cooking Guide:

Display	Microwave Power	Suggested Use
P100	100%	Use this setting for fast cooking or reheating e.g., for casseroles, hot beverages, vegetables etc.
P-80	80%	For dense foods which require a long cooking time when cooked conventionally, e.g., beef dishes. It is advisable to use this power setting to ensure the meat will be tender.
P-60	60%	Used for longer cooking of dense foods such as roast joints, meat loaf and plated meals, also for sensitive dishes such as cheese sauce and sponge cakes.
P-40	40%	Defrost setting; select this power setting, to ensure that the dish defrosts evenly. This setting is also ideal for simmering rice, pasta, dumplings and cooking egg custard.
P-20	20%	For gentle defrosting, e.g., cream gateaux or pastry.

- During cooking you can check the cooking power level by pressing and holding the **MICROWAVE POWER** button.
- The longest cooking time is 95 minutes.

QUICK START

If you need to cook at 100% power level, just press the **START/QUICK START** button on the **JOG DIAL** while in the standby mode. Each time the **START/QUICK START** button is pressed, it will add 30 seconds to the cooking time.

GRILL COOKING*

The Grill heating element at the top of the oven cavity has one power setting only, it is efficient and economical. The grill is ideal for cooking bacon, gammon steak, fish fingers and tea cakes.

Use the Grill Rack for grilling small items of food such as bacon and sausages, turn over halfway through grilling. Food can be placed directly on the rack or placed in a flan dish or on a heat-resistant plate. To make sure that any fat or oil which can drip from the food being cooked, ensure that a suitable tray is placed below the Grill Rack.

When browning and crisping the surface of foods in a casserole dish, the Grill Rack can be used if the container is shallow enough. However, it is advisable to place such containers directly on the turntable allow a little extra time to brown and crisp as desired. It is not possible to use the Grill Rack for grilling.

To use the grill function, follow the instructions below:

1. In standby mode, press the **GRILL** button to select the grill function. The display will show "**Grill**".
2. Rotate the **JOG DIAL** to select the time to cook.
3. Press the **START/QUICK START** button to start cooking.
4. When the cooking cycle is completed, the display will show "**End**" and a tone will be heard every 2 minutes until a button is pressed or the door is opened.

* - Only for models with Grill.

MICROWAVE + GRILL*

Using both the microwave and grill function it is possible to brown and cook the food quickly. To use the microwave and grill function, follow the instruction as below:

1. In standby mode, press **MICROWAVE + GRILL** pad once or twice to select "Co-1" or "Co-2".
2. Rotate the **JOG DIAL** to set cooking time.
3. Press **START/QUICK START** button to start.
4. When the cooking cycle is completed, the display will show "**End**" and a tone will be heard every two minutes until a button is pressed or the door is opened.

Microwave + Grill Function

Display	Output	Suggested Use
Co-1	70% grill / 30% microwave	Chicken Pieces, Chicken Breast, Pork Chops
Co-2	56% grill / 44% microwave	Whole Chicken

- Maximum cooking time with the grill is 95 minutes.
- During grilling allow smoke or smells to disperse by opening a window or switching on kitchen ventilation. This is normal and not a fault with the oven.
- During cooking you can check the current combination cooking power by touching **MICROWAVE + GRILL** button.
- When using the grill function, the grill will turn on and off at regular intervals to prevent overheating.
- When using the **MICROWAVE+GRILL** function, food can be placed in a suitable container directly on the turntable of the oven or on the Grill Rack provided.

WARNING: The door, outer cabinet, oven cavity, accessories and dishes will become very hot during operation. To prevent burns, always use thick oven gloves.

* - Only for models with Grill.

AUTO MENU

For convenience the Auto Programs allow food to be cooked quickly and efficiently with only a few button presses. It is not necessary to program the duration and the cooking power, all that is required is to press the required auto cook button, enter the weight/pieces by rotating the **JOG DIAL** and then press **START/QUICK START** button.

For example, to cook two jacket potatoes.

1. Open the door and place the food inside the oven using suitable ovenware for the cook cycle being used.
2. Close the door.
3. Press the **JACKET POTATO** button once.
4. Rotate the **JOG DIAL** to enter numbers of potatoes.
5. Press **START/QUICK START** button.
6. When the cooking cycle is completed, the display will show "End" and a tone will be heard every two minutes until a button is pressed or the door is opened.

Auto cook menus:

Auto Program	Size/Weight
Frozen Meal Auto Defrost Auto Reheat	Select the weight by rotating the JOG DIAL . Frozen Meal and Auto reheat (200 to 800g), Auto Defrost (100 to 1800g)
Reheat Beverages	Select number of cups (200 ml each) by rotating the JOG DIAL control. 1 to 3 cups.
Jacket Potato	Select number of potatoes (230 g each) by rotating the JOG DIAL control. 1 or 2 potatoes.
Pizza	Select weight of the pizza (150 g / 300 g / 450 g) by rotating the JOG DIAL control.
Popcorn	Select number of popcorn packages (100 g each) by rotating the JOG DIAL control.
Fresh Vegetables	Select weight of vegetables (200 g to 600 g) by rotating the JOG DIAL control.
Porridge	Select weight of porridge (grammes) by rotating the JOG DIAL control. 50 to 150 g.
Grilled Steak (Grill models only)	Select weight of steak (200 g to 600 g) by rotating the JOG DIAL control.
Grilled Chicken (Grill models only)	Select weight of chicken (200 g to 600 g) by rotating the JOG DIAL control.
Grilled Fish (Grill models only)	Select weight of fish (200 g to 600 g) by rotating the JOG DIAL control.

- The result of auto cook depends on factors such as the shape and size of food, your personal preference as to the doneness of certain foods and how the food is placed in the oven. If the result of the cooking is not satisfactory, please adjust the cooking time to suit.

Note: The Auto Menu button is only used on the YC-PG204A and YC-PS204A models. Each time the Auto Menu button is pressed, the display will show the auto program as in the table above. When the desired auto menu is found, rotate the **JOG DIAL** control to select the weight of the food to be cooked.

Automatic Programme Details

Food	Quantity	Initial Temperature	Cooking Technique
Reheat Beverages	1 to 3 cups 1 cup = 200ml	Ambient	<ol style="list-style-type: none"> 1. Place the beverage to be heated in the centre of the microwave glass turntable 2. Shut the door and press the REHEAT BEVERAGES button and select the number of cups by turning the JOG DIAL. 3. Press the START/QUICK START button to start cooking. 4. When the timer stops, remove your drink. Be careful as your drink will be hot.
Jacket Potatoes	1 to 2 potatoes 1 potato = 230±10g	Ambient	<ol style="list-style-type: none"> 1. Wash and dry the potato(es), and prick the surface of the potatoes with a fork several times. 2. Place the potato(es) in the centre of the microwave glass turntable. 3. Shut the door and press the JACKET POTATO button and select the number of potatoes by turning the JOG DIAL. 4. Press the START/QUICK START button to start cooking. 5. When the timer stops,, remove the potato(es) from the microwave. Be careful as the food will be hot.
Pizza	150 to 450g	Frozen -18 °C	<ol style="list-style-type: none"> 1. Please place the pizza on a microwave safe plate in the centre of the microwave glass turntable. 2. Shut the door and press the PIZZA button and select the weight by turning the JOG DIAL. 3. Press the START/QUICK START button to start cooking. 4. When the timer stops, remove the pizza from the microwave. Be careful as the food will be hot.
Popcorn	100g	Ambient	<ol style="list-style-type: none"> 1. Place the popcorn in the centre of the microwave glass turntable. 2. Shut the door and press the POPCORN button. 3. Press the START/QUICK START button to start cooking. 4. When the timer stops, remove the popcorn from the microwave. Be careful as the food will be hot.
Frozen Meal	200 to 800g	Frozen -18 °C	<ol style="list-style-type: none"> 1. Put our Frozen Meal into a microwavable dish, and cover with plastic wrap; pierce holes in the plastic. 2. Place the dish in the centre of the microwave glass turntable. 3. Shut the door and press the FROZEN MEAL button and select the weight by turning the JOG DIAL. 4. Press the START/QUICK START button to start cooking. 5. When the timer has stopped, take out and serve. Be careful as the food will be hot.
Fresh Vegetables	200 to 600g	Ambient	<ol style="list-style-type: none"> 1. Wash and cut your vegetables into small pieces; 25-30mm in length and 10mm in thickness. 2. Put these pieces into a microwave-suitable ceramic bowl, and cover with plastic wrap; pierce holes in the plastic. 3. Place the bowl in the centre of the microwave glass turntable. 4. Shut the door and press the FRESH VEGETABLES button and select the weight by turning the JOG DIAL. 5. Press the START/QUICK START button to start cooking. 6. When the timer has stopped, take out and serve. Be careful as the food will be hot.
Porridge	50 to 150g	Ambient	<ol style="list-style-type: none"> 1. Mix the porridge oats and milk in a bowl. Suggest 180ml of milk per 50g of oats. 2. Place the bowl in the centre of the glass turntable. 3. Shut the door and press the PORRIDGE button and select the weight by turning the JOG DIAL. 4. Press the START/QUICK START button to start cooking. 5. When the timer has stopped, take out and serve.
Auto Reheat	200 to 800g	Chilled 5 °C	<ol style="list-style-type: none"> 1. Put the cold rice or pasta in a microwave-suitable ceramic bowl, and cover with plastic wrap; pierce holes in the plastic. 2. Place the bowl in the centre of the microwave oven glass turntable. 3. Shut the door and press the AUTO REHEAT button and select the weight by turning the JOG DIAL. 4. Press the START/QUICK START button to start cooking. 5. When the timer has stopped, take out and serve.
Grilled Steak	200 to 600g	Ambient	<ol style="list-style-type: none"> 1. Evenly spread the steak on the grill rack covered which has been covered grease proof paper. 2. Put the grill rack in the centre of the microwave glass turntable. 3. Shut the door and press the GRILLED STEAK button and select the weight by turning the JOG DIAL. 4. Press the START/QUICK START button to start cooking. 5. After two-thirds of the cooking time, open the door to turn over the food, then close the door and continue cooking. 6. When the timer has stopped, take out and serve. Be careful as the food and utensils will be hot.
Grilled Chicken Pieces	200 to 600g	Ambient	<ol style="list-style-type: none"> 1. Evenly spread the chicken pieces on the grill rack which has been covered with grease proof paper. 2. Put the grill rack in the centre of the microwave glass turntable. 3. Shut the door and press the Grilled Chicken button and select the weight by turning the JOG DIAL. 4. Press the START/QUICK START button to start cooking. 5. After two-thirds of the cooking time, open the door to turn over the food, then close the door and continue cooking. 6. When the timer has stopped, take out and serve. Be careful as the food and utensils will be hot.
Grilled Fish Pieces	100 to 500g	Ambient	<ol style="list-style-type: none"> 1. Evenly spread the pieces of fish on the grill rack which has been covered with grease proof paper. 2. Put the grill rack in the centre of the microwave glass turntable. 3. Shut the door and press the GRILLED FISH button and select the weight by turning the JOG DIAL. 4. Press the START/QUICK START button to start cooking. 5. After two-thirds of the cooking time, open the door to turn over the food, then close the door and continue cooking. 6. When the timer has stopped, take out and serve. Be careful as the food and utensils will be hot.

Note	Oven Mode and Method Used	YC-PS204A	YC-PS234A and YC-PS254A	YC-PG204A	YC-PG234A, YC-PG254A and YC-PG284A
	Microwave only at 100%	1 cup - 1:40 minutes 2 cups: 3:00 minutes 3 cups: 4:20 minutes	1 cup - 1:30 minutes 2 cups: 2:40 minutes 3 cups: 3:50 minutes	1 cup - 1:40 minutes 2 cups: 3:00 minutes 3 cups: 4:20 minutes	1 cup - 1:30 minutes 2 cups: 2:40 minutes 3 cups: 3:50 minutes
	Microwave only at 100%	1 potato - 6:00 minutes 2 potatoes: 9:00 minutes 3 potatoes: 13:00 minutes	1 potato - 5:00 minutes 2 potatoes: 8:00 minutes 3 potatoes: 12:00 minutes	1 potato - 6:00 minutes 2 potatoes: 9:00 minutes 3 potatoes: 13:00 minutes	1 potato - 5:00 minutes 2 potatoes: 8:00 minutes 3 potatoes: 12:00 minutes
For the YC-PS204A and YC-PG204A the AUTO MENU button needs to be pressed until the programme appears.	Microwave only at 100%	150g - 1:00 minutes 300g - 1:30 minutes 450g: 2:00 minutes	150g - 0:50 minutes 300g - 1:20 minutes 450g: 1:50 minutes	150g - 1:00 minutes 300g - 1:30 minutes 450g: 2:00 minutes	150g - 0:50 minutes 300g - 1:20 minutes 450g: 1:50 minutes
	Microwave only at 100%	100g: 3:00 minutes	100g: 2:00 minutes	100g: 3:00 minutes	100g: 2:30 minutes
	Microwave at 100% for 1/2 time, then 0% for 1/6 time and finally 100% for 1/3 time	200g: 8:00 minutes 400g: 11:00 minutes 600g: 15:00 minutes 800g: 18:00 minutes	200g: 6:00 minutes 400g: 9:00 minutes 600g: 13:00 minutes 800g: 16:00 minutes	200g: 8:00 minutes 400g: 11:00 minutes 600g: 15:00 minutes 800g: 18:00 minutes	200g: 6:00 minutes 400g: 9:00 minutes 600g: 13:00 minutes 800g: 16:00 minutes
For the YC-PS204A and YC-PG204A the AUTO MENU button needs to be pressed until the programme appears.	Microwave only at 100%	200g: 3:30 minutes 300g: 4:30 minutes 400g: 5:30 minutes 500g: 6:30 minutes 600g: 7:30 minutes	200g: 3:00 minutes 300g: 4:00 minutes 400g: 5:00 minutes 500g: 6:00 minutes 600g: 7:00 minutes	200g: 3:30 minutes 300g: 4:30 minutes 400g: 5:30 minutes 500g: 6:30 minutes 600g: 7:30 minutes	200g: 3:00 minutes 300g: 4:00 minutes 400g: 5:00 minutes 500g: 6:00 minutes 600g: 7:00 minutes
For the YC-PS204A and YC-PG204A the AUTO MENU button needs to be pressed until the programme appears.	Microwave - 100%	50g: 2:00 minutes 100g: 3:30 minutes 150g: 5:30 minutes	50g: 2:00 minutes 100g: 3:30 minutes 150g: 5:30 minutes	50g: 2:00 minutes 100g: 3:30 minutes 150g: 5:30 minutes	50g: 2:00 minutes 100g: 3:30 minutes 150g: 5:30 minutes
For the YC-PG204A the AUTO MENU button needs to be pressed until the programme appears.	Microwave only at 100%	200g: 2:00 minutes 300g: 2:40 minutes 400g: 3:20 minutes 500g: 4:00 minutes 600g: 4:40 minutes 700g: 5:20 minutes 800g: 6:00 minutes	200g: 1:30 minutes 300g: 2:00 minutes 400g: 2:30 minutes 500g: 3:00 minutes 600g: 3:30 minutes 700g: 4:00 minutes 800g: 4:30 minutes	200g: 2:00 minutes 300g: 2:40 minutes 400g: 3:20 minutes 500g: 4:00 minutes 600g: 4:40 minutes 700g: 5:20 minutes 800g: 6:00 minutes	200g: 1:30 minutes 300g: 2:00 minutes 400g: 2:30 minutes 500g: 3:00 minutes 600g: 3:30 minutes 700g: 4:00 minutes 800g: 4:30 minutes
For the YC-PG204A the AUTO MENU button needs to be pressed until the programme appears.	Microwave operates at 100% for 10 seconds then the grill turns on for 23 seconds. This cycle repeats until the end of the cooking time. The microwave and grill are never on at the same time.	N/A	N/A	200g: 15:00 minutes 300g: 18:00 minutes 400g: 21:00 minutes 500g: 24:00 minutes 600g: 27:00 minutes	200g: 15:00 minutes 300g: 18:00 minutes 400g: 21:00 minutes 500g: 24:00 minutes 600g: 27:00 minutes
For the YC-PG204A the AUTO MENU button needs to be pressed until the programme appears.	Microwave operates at 100% for 10 seconds then the grill turns on for 23 seconds. This cycle repeats until the end of the cooking time. The microwave and grill are never on at the same time.	N/A	N/A	200g: 15:00 minutes 300g: 18:00 minutes 400g: 21:00 minutes 500g: 24:00 minutes 600g: 27:00 minutes	200g: 15:00 minutes 300g: 18:00 minutes 400g: 21:00 minutes 500g: 24:00 minutes 600g: 27:00 minutes
For the YC-PG204A the AUTO MENU button needs to be pressed until the programme appears.	Microwave operates at 100% for 10 seconds then the grill turns on for 23 seconds. This cycle repeats until the end of the cooking time. The microwave and grill are never on at the same time.	N/A	N/A	100g: 12:00 minutes 200g: 15:00 minutes 300g: 18:00 minutes 400g: 21:00 minutes 500g: 24:00 minutes	100g: 12:00 minutes 200g: 15:00 minutes 300g: 18:00 minutes 400g: 21:00 minutes 500g: 24:00 minutes

AUTO DEFROST

Auto Defrost allows you to defrost food by weight. The defrosting time and power level are automatically set once the food category and the weight are programmed. The frozen food weight ranges from 100g to 1800g.

1. In the standby mode, press the **AUTO DEFROST** button.
2. Rotate the **JOG DIAL** control to select weight of food to be defrosted.
3. Press the **START/QUICK START** button to start the defrost cycle.
4. If oven stops during the defrosting cycle, turn the food over to ensure uniform defrosting and then press **START/QUICK START** to defrost for the remaining time.
5. When a defrost cycle is completed, the display will show "**End**" and a tone will be heard every 2 minutes until a button is pressed or the door is opened.

Auto Defrost - Operation

Model	Weight Range	Defrost Time Range	Defrost Operation	Method
YC-PG204A	100 to 1800g	5.5 to 39.5 minutes	Microwave at 40% for 1/3 time, then 20% for the next 1/3 of the time. Prompt to turn over, when turned over will defrost at 20% for the rest of the time.	<ol style="list-style-type: none"> 1. Put your frozen food into a microwavable dish, and cover with plastic wrap; pierce holes in the plastic. 2. Place the dish in the centre of the microwave glass turntable. 3. Shut the door and press the AUTO DEFROST button and select the weight by turning the JOG DIAL. 4. Press the START/QUICK START button to start defrosting. 5. Part way through the defrost cycle the oven will stop and request for the food to be turned over. 6. Open the door and turn over/re-arrange the food. Close the door. 7. Press the START/QUICK START button to continue defrosting. 8. When the timer has stopped, remove food from oven. Check that the food is thoroughly defrosted.
YC-PG204A	100 to 1800g	5 to 39 minutes		
YC-PS234A and YC-PG234A	100 to 1800g	5.5 to 39.5 minutes	Microwave at 20% for half the time, prompt to turn over. 20% power for the remaining time.	
YC-PS254A, YC-PG254A and YC-PG284A	100 to 1800g	3 to 37 minutes	Microwave at 30% for 1/3 time, then 20% for the next 1/3 of the time. Prompt to turn over, when turned over will defrost at 20% for the rest of the time.	

AUTO REHEAT*

The oven allows you to reheat food based on the weight entered by user. The reheating time and power level are automatically set once the food category and the weight are programmed. The reheat weight ranges from 100g to 800g.

1. In standby mode, press the **AUTO REHEAT** button.
2. Rotate the **JOG DIAL** control to to select weight of food to be reheated
3. Press **START/QUICK START**.
4. When the cooking cycle is completed, the display will show "**End**" and a tone will be heard every two minutes until a button is pressed or the door is opened.

* - Only for models with Grill.

KITCHEN TIMER

The oven is equipped with a kitchen timer which will count down from the time set.

1. While in the standby mode, press **TIME/SET CLOCK** button once.
2. Turn **JOG DIAL** to set desired time. The longest time is 95 minutes.
3. Press **START/QUICK START** button to confirm.
4. Display will count down from the set time.
5. When the display reaches zero, a tone will sound.

It is also possible to use the kitchen timer while in the cook mode. To do this follow the steps as outline above while your food is cooking. Once the kitchen timer is activated, it will appear on the display for five seconds, then the display will revert to to the countdown timer for the cooking cycle. To view the timer again press the **TIME/SET CLOCK** button once and the kitchen timer will appear for five seconds, then revert to the cooking countdown.

- To cancel the **TIMER** program press **STOP/ECO** button and the display shows the time.
- If a cooking cycle has been started, it is possible to start the kitchen timer by following the steps as above.

POWER SAVING FUNCTION

This feature allows power to be saved while the oven is not being used. To activate this feature while in the standby mode, press and hold **STOP/ECO** button for 3 seconds, the display will turn off; the oven will enter power saving mode.

To cancel the power saving mode, press any button or open and close the oven door.

MUTE FUNCTION

It is possible to mute any tones from the microwave using the mute function. To set mute function press **CHILD LOCK** button once the display will show "**off**" for 5 seconds. While in the mute mode, there will be no sound when buttons are pressed.

To turn off the mute function, press the **CHILD LOCK** button once, the display will show "**on**" for 5 seconds to indicate the sound has been turned back on.

If the mute function is set and the oven is disconnected from the mains supply, it will be canceled when the mains is reconnected.

SAFETY LOCK

This is an automatic function to prevent unsupervised operation of the oven by children. While in the standby mode, if there is no operation within one minute, the oven will automatically enter Safety lock mode and "**Loc**" will appear in the display. In the lock state, all buttons are disabled. Press any button, lock indication appears on the display for 5 seconds to remind user to cancel the Safety lock.

To turn the safety lock off simply open and close the door to the microwave and the keypad will become active again and the lock indicator light will turn off.

CHILD LOCK

To set the CHILD LOCK, press and hold the **CHILD LOCK** button for 3 seconds, a long beep will be heard and the display will indicate "**Loc**". The oven is now in the CHILD LOCK mode. While in this mode, the display will show the clock, if any key is pressed or the door is opened, "**Loc**" will be seen for 5 seconds.

To cancel the CHILD LOCK, press and hold the **CHILD LOCK** button for 3 seconds until a long beep sound is heard.

CLEANING AND CARE

- Turn off the oven and unplug the power cord from the mains supply when cleaning.
- Keep the inside of the oven clean. When food splatters or spilled liquids adhere to oven sides, top or base of the oven, wipe with a damp cloth. Mild detergents may be used if the oven gets very dirty. Avoid using spray or other harsh cleaners. They may stain, streak or dull the door surface.
- The outside of the oven should be cleaned with a damp cloth. To prevent damage to the operating parts inside the oven, water should not be allowed to seep into the ventilation openings.
- Wipe the door and window on both sides, the door seals and adjacent parts frequently with a damp cloth to remove any spills or splatters.
- Do not use abrasive cleaners.
- Do not steam clean.
- Do not allow the control panel to become wet. Clean with a soft, damp cloth. When cleaning the control panel, leave oven door open to prevent oven from accidentally turning on.
- If steam accumulates inside or around the outside of the oven door, wipe with a soft cloth. This may occur when the microwave oven is operated under high humidity condition. This is not a fault.
- The base turntable, turntable support and coupling should be cleaned regularly to avoid contamination and potential arcing/damage. Simply wipe with mild detergent.
- Remove odors from your oven by combining a cup of water with the juice and skin of one lemon in a microwaveable bowl. Microwave for 5 minutes. Wipe thoroughly and dry with a soft cloth.
- If the light bulb fails, please contact customer service for advice.
- The oven should be cleaned regularly and any food deposits should be removed. Failure to maintain the oven in a clean condition could lead to deterioration of surface that could adversely affect the life of the unit and could possibly result in a hazardous situation.
- Please do not dispose of this appliance into the domestic rubbish bin; refer to your countries advice on disposal of this type of product.

SUITABLE OVENWARE

1. The ideal material for a microwave utensil is transparent to microwave, it allows energy to pass through the container and heat the food.
2. Microwave cannot penetrate metal, so metal utensils or dishes with metallic trim should not be used.
3. Do not use recycled paper products when microwave cooking, as they may contain small metal fragments which may cause sparks and/or fires.
4. Round /oval dishes rather than square/oblong ones are recommend, as food in corners tends to overcook.
5. Narrow strips of aluminum foil may be used to prevent overcooking of exposed areas. But be careful don't use too much and keep a distance of 2.54 cm between foil and cavity

The list below is a general guide to help you select the correct utensils.

Cookware	Microwave Safe	Grill	Comment
Browning dishes	✓ / ✗	✗	Always follow the manufacturers instructions. Do not exceed heating times given. Be very careful as these dishes become very hot.
China and ceramics	✓ / ✗	✗	Porcelain, pottery, glazed earthenware and bone china are usually suitable, except for those with metallic decoration.
Heat-Resistant Glass	✓	✓	Care should be taken to ensure that any glass cook ware is suitable for use in a microwave oven.
Non Heat-Resistant Glass	✗	✗	
Heat-Resistant Ceramics	✓	✓	Ensure that any ceramic material is not too thick or in high in mineral content.
Microwave-Safe Plastic Dish	✓	✗	Always check that the plastic cook ware is suitable to be used in a microwave oven.
Kitchen Paper	✓ / ✗	✗	Only use kitchen paper which is recommended for use in microwave ovens.
Glassware e.g. Pyrex®	✓ / ✗	✓	Care should be taken if using fine glassware as it can break or crack if heated suddenly.
Metal Tray	✗	✓	It is not recommended to use metal cookware as it will arc, which can lead to fire.
Metal Rack	✗	✓	It is not recommended to use metal cookware as it will arc, which can lead to fire.
Aluminium foil Foil Containers	✓ / ✗	✓	Small pieces of aluminium foil can be used to shield food from overheating. Keep foil at least 2.54 cm from the oven walls, as arcing may occur. Foil containers are not recommended unless specified by the manufacturer, e.g. Microfoil®, follow instructions carefully.
Cling film	✓	✗	It should not touch the food and must be pierced to let the steam escape.
Plastic/Polystyrene e.g fast food containers	✓	✗	Care must be taken as some containers warp, melt or discolour at high temperatures.
Freezer/Roasting bags	✓	✗	Must be pierced to let steam escape. Ensure bags are suitable for microwave use.
Paper - Plates, cups and kitchen paper	✓	✗	Do not use plastic or metal ties, as they may melt or catch fire due to the metal 'arcing'.
Straw and wooden Containers	✓	✗	Only use for warming or to absorb moisture. Care must be taken as overheating may cause fire.
Recycled paper and newspaper	✗	✗	Always attend the oven when using these materials as overheating may cause fire. May contain extracts of metal which will cause 'arcing' and may lead to fire.



WARNING: When heating food in plastic or paper containers, monitor the oven due to the possibility of ignition.

NOTE: Do not leave your oven unattended while in use.

MICROWAVE COOKING ADVICE

Microwaves cook food faster than conventional cooking. It is therefore essential that certain techniques are followed to ensure good results. Many of the following techniques are similar to those used in conventional cooking.



WARNING: Liquids and foods must not be heated in sealed containers or jars/containers with lids on, as pressure will build up inside and may cause the jar/container to explode.

COOKING ADVICE NOTES:

- Always attend the oven when in use.
- Ensure that the utensils are suitable for use in a microwave oven.
- Only use microwave popcorn within the recommended packaging (follow the manufacturers instructions). Never use oil unless specified by the manufacturer and never cook for longer than instructed.



WARNING: If you exceed recommended cooking times and use power levels that are too high, food may overheat, burn and, in extreme circumstances, catch fire and damage the oven.

Arrange

Place the thickest parts of food towards the outside of the dish. e.g. Chicken drumsticks.

Foods that are placed towards the outside of the dish will receive more energy, so cook quicker, than those in the centre.

Cover

Certain foods benefit from being covered during microwave cooking.

Use vented microwave cling film or a suitable lid.

Pierce

Foods with a shell, skin or membrane must be pierced in several places before cooking or reheating as steam will build up and may cause food to explode. e.g. Potatoes, Fish, Chicken, Sausages.

NOTE: Eggs should not be heated using microwave power as they may explode, even after cooking has ended. e.g. poached, fried, hard boiled.

Stir, turn and rearrange

For even cooking it is essential to stir, turn and rearrange food during cooking. Always stir and rearrange from the outside towards the centre.

Stand

Standing time is necessary after cooking so it enables the heat to disperse equally throughout the food.

Food Characteristics	
Composition	Foods high in fat or sugar (e.g. Christmas pudding, mince pies) require less heating time. Care should be taken as overheating can lead to fire. Bones in food conduct heat, making the food cook more quickly. Care must be taken so that the food is cooked evenly.
Density	Food density will affect the amount of cooking time needed. Light porous foods, such as cakes or bread, cook more quickly than heavy, dense foods, such as roasts and casseroles.
Quantity	The number of microwaves in your oven remains the same regardless of how much food is being cooked. The cooking time must be increased as the amount of food placed in the oven increases. e.g. Four potatoes will take longer to cook than two.
Size	Small foods and small pieces cook faster than large ones, as microwaves can penetrate from all sides to the centre. For even cooking make all the pieces the same size.
Shape	Foods which are irregular in shape, such as chicken breasts or drumsticks, take longer to cook in the thicker parts. For even cooking, place the thickest parts to the outside of the dish where they will receive more energy. Round shapes cook more evenly than square shapes when microwave cooking.
Temperature of food	The initial temperature of food affects the amount of cooking time needed. Chilled foods will take longer to cook than food at room temperature. The temperature of the container is not a true indication of the temperature of the food or drink. Cut into foods with fillings, for example jam doughnuts, to release heat or steam.



WARNING: Face & Hands: Always use oven gloves to remove food or cookware from the oven. Stand back when opening the oven door to allow heat or steam to disperse. When removing covers (such as cling film), opening roasting bags or popcorn packaging, direct steam away from face and hands.



WARNING: Check the temperature of food and drink, stir before serving. Take special care when serving to babies, children or the elderly. The contents of feeding bottles and baby food jars are to be stirred or shaken and the temperature is to be checked before consumption to avoid burns.

DEFROSTING ADVICE

Using your microwave oven is the quickest defrosting method. It is a simple process but the following instructions are essential to ensure the food is thoroughly defrosted.

- Remove all packaging and wrapping before defrosting.
- To defrost food, use microwave power levels P-20 to P-40.
- Please refer to the further information below.

Rearrange

Foods that are placed towards the outside of the dish will defrost quicker than foods in the centre. It is therefore essential that the food is rearranged up to 4 times during defrosting.

Move closely packed pieces from the outside to the centre and rearrange over-lapping areas.

This will ensure that all parts of the food defrosts evenly.

Separate

Foods may be stuck together when removed from the freezer. It is important to separate foods as soon as it is possible during defrosting.

e.g. bacon rashers, chicken fillets.

Shield

Some areas of food being defrosted may become warm. To prevent them becoming warmer and starting to cook, these areas can be shielded with small pieces of foil, which reflect microwaves, e.g. legs and wings on a chicken.

Stand

Standing time is necessary to ensure food is thoroughly defrosted.

Defrosting is not complete once the food is removed from the microwave oven. Food must stand, covered, for a length of time to ensure the centre has completely defrosted.

Turn over

It is essential that all foods are turned over up to 4 times during defrosting.

This is important to ensure thorough defrosting.

REHEATING ADVICE

For the reheating of foods, follow the advice and guidelines below to ensure food is thoroughly reheated before serving.

Plated meals

Remove any poultry or meat portions, reheat these separately, see below.

Place smaller items of food to the centre of the plate, larger and thicker foods to the edge. Cover with vented microwave cling film and reheat on power level P-50, stir/rearrange halfway through reheating.

NOTE: Ensure the food is thoroughly reheated before serving.

Sliced meat

Cover with vented microwave cling film and reheat on power level P-60. Rearrange at least once to ensure even reheating.

NOTE: Ensure the meat is thoroughly reheated before serving.

Poultry portions

Place thickest parts of the portions to the outside of the dish, cover with vented microwave cling film and reheat on power level P-70.

Turn over halfway through reheating.

NOTE: Ensure the poultry is thoroughly reheated before serving.

Casseroles

Cover with vented microwave cling film or a suitable lid and reheat on power level P-50.

Stir frequently to ensure even reheating.

NOTE: Ensure the food is thoroughly reheated before serving.

To achieve the best results when reheating, select a suitable microwave power level appropriate to the type of food. e.g. A bowl of vegetables can be reheated using power level P-100, while a lasagne which contains ingredients that cannot be stirred, should be reheated using power level P-40.

NOTES:

- Remove food from foil or metal containers before reheating.
- Reheating times will be affected by the shape, depth, quantity and temperature of food together with the size, shape and material of the container.



WARNING: Never heat liquids in narrow-necked containers, as this could result in the contents erupting from the container and may cause burns.

- To avoid overheating and fire, special care must be taken when reheating foods with a high sugar or fat content, e.g. mince pies or Christmas pudding.
- Never heat oil or fat for deep frying as this may lead to overheating and fire.
- Canned potatoes should not be heated in the microwave oven, follow the manufacturer's instructions on the can.



WARNING: The contents of feeding bottles and baby food jars are to be stirred or shaken and the temperature is to be checked before consumption to avoid burns.

TROUBLESHOOTING

If you think the oven is not working properly there are some simple checks you can carry out yourself before calling an engineer. This will help prevent unnecessary service calls if the fault is something simple.

Follow this simple check below:

Place half a cup of water on the turntable and close the door. Set the timer now to cook for 1 minute using microwave power level of P-100.

1. Does the oven lamp come on when it is cooking?
2. Does the cooling fan work? (Check by placing your hand above the air vent openings).
3. After 1 minute does the audible signal sound?
4. Is the water in the cup hot?

If you answer "NO" to any question first check that the oven is plugged in properly and the fuse has not blown. If there is no fault with either, check against the troubleshooting chart below.



WARNING: Never adjust, repair or modify the oven yourself. It is hazardous for anyone other than a SHARP trained engineer to carry out servicing or repairs. This is important as it may involve the removal of covers that provide protection against microwave energy.

- The door seal stops microwave leakage during oven operation, but does not form an airtight seal. It is normal to see drops of water, light or feel warm air around the oven door. Food with a high moisture content will release steam and cause condensation inside the door which may drip from the oven.
- Repairs and Modifications: Do not attempt to operate the oven if it is not working properly.
- Outer Cabinet & Lamp Access: Never remove the outer cabinet. This is very dangerous due to high voltage parts inside which must never be touched, as this could be fatal. Your oven is not fitted with a lamp access cover. If the lamp fails, do not attempt to replace the lamp yourself, call a SHARP approved service facility.

TROUBLESHOOTING CHART

QUERY	ANSWER
Draught circulates around the door.	When the oven is working, air circulates within the cavity. The door does not form an airtight seal so air may escape from the door.
Condensation forms in the oven, and may drip from the door.	The oven cavity will normally be colder than the food being cooked, and so steam produced when cooking will condense on the colder surface. The amount of steam produced depends on the water content of the food being cooked. Some foods, such as potatoes have a high moisture content. Condensation trapped in the door glass should clear after a few hours.
Flashing or arcing from within the cavity when cooking.	Arcing will occur when a metallic object comes into close proximity to the oven cavity during cooking. This may possibly roughen the surface of the cavity, but would not otherwise damage the oven.
Arcing potatoes.	Ensure all "eyes" are removed from the potatoes and that they have been pierced, place directly onto the turntable in a heat resistant flan dish or similar.
When using the oven in the grill only mode it may be noticed that the heating element does not appear to be on all the time.	This is because the grill element turns on and off to maintain the oven temperature at a preset level.
When using the grill in the combination mode, it does not appear to be on.	During the combination cooking mode (microwave and grill), the oven will switch between the two functions. The microwave and grill functions will not be turned on at the same time.
Oven does not work when the START/QUICK START button is pressed.	Check the door is closed properly.
Oven cooks too slowly.	Ensure correct power level has been selected.
Oven makes a noise.	As the microwave energy is turned on and off a humming noise may be heard, this is normal.
After cooking the oven makes a noise or appears to still be operating.	At the end of the cooking cycle the fan may stay on for several minutes to cool down the oven. This is normal.
Outer cabinet is hot.	The cabinet may become warm to the touch - keep children away.
"LoC" appears in the display when a button is pressed.	After 30 seconds the oven will enter the lock mode resulting in none of the buttons functioning. Open and close the door and the buttons will work again. Also check that the unit is not in the lock mode.
"Fail" appears in the display and a bleep is heard from the oven every minute.	If the buttons on the control panel are pressed continuously for more than 1 minute this will happen. Unplug the oven from the mains supply for a few minutes and reconnect.
The oven beeps every 30 seconds.	After cooking has ended and the door is not opened, a bleep will be heard every 30 seconds. To stop this open and then close the door.



Внимание:

Продуктът е маркиран с този символ, което означава, че при извеждане от употреба не трябва да бъде изхвърлян заедно с общите битови отпадъци. Съществува отделна система за събиране на излезлите от употреба електрически и електронни уреди.



www.sharpconsumer.com/contact/



www.sharpconsumer.com/support/



www.sharpconsumer.com/documents-of-conformity/

А. Информация за извеждане от употреба (частни домакинства)

1. В Европейския съюз

Внимание: Ако желаете да изхвърлите този уред, моля не използвайте обикновена кофа за боклук.

Използването на електрическо оборудване трябва да бъде поставено отделно съгласно законодателството, което изисква правилно третиране, оползотворяване и рециклиране на излязлото от употреба електрическо и електронно оборудване.

Следвайки практиката на страните-членки, частните домакинства в ЕС могат връщат своите излезли от употреба електрически и електронни уреди на определени места за безплатно събиране.

В някои страни* местният търговски представител може да вземе Вашия стар уред безплатно при покупката на нов продукт.

*) За повече информация можете да се обърнете към местните власти.

Ако Вашите електрически или електронни уреди имат батерии или акумулатори, е необходимо да ги изхвърлите отделно, съгласно местните изисквания. Чрез правилното извеждане на този продукт от експлоатация, Вие подпомагате преработката на отпадъци, тяхното оползотворяване и рециклиране. По този начин се предотвратяват възможните негативни въздействия върху околната среда и човешкото здраве, които биха могли да възникнат при неправилно изхвърляне.

2. В страни извън ЕС

Ако искате да изхвърлите този продукт, моля свържете се с местните власти и разберете правилния начин за изхвърляне.

За Швейцария: Излязлото от употреба електрическо и електронно оборудване може да бъде върнато на търговеца и без да се купува нов продукт. Допълнителните съоръжения за събиране са изброени на началната страница на www.swico.ch или www.sens.ch.

Б. Информация за изхвърляне и преработка от промишлени потребители.

1. В Европейският Съюз

Ако продуктът е бил използван за стопански цели и искате да го изхвърлите: За информация относно обратно приемане на продукта се обърнете към най-близкия представител на SHARP. Възможно е да бъдете таксувани за разходите, произтичащи от обратно приемане и рециклиране. Малки продукти (и малки количества) биха могли да бъдат взети обратно от местния пункт за събиране.

За Испания: Моля, свържете се с установената система за събиране, или се обърнете към местните власти за обратно приемане на Вашите употребявани продукти.

2. В страни извън ЕС

Ако искате да изхвърлите този продукт, моля свържете се с местните власти и разберете правилния начин за изхвърляне.

При необходимост от обслужване, посетете www.sharpconsumer.com/contact/. За да научите повече относно гаранционните си права, отидете на www.sharpconsumer.com/support/ или се свържете с местния търговски представител.

Можете да намерите декларациите за съответствие на www.sharpconsumer.com/documents-of-conformity/

МЕРКИ ЗА БЕЗОПАСНОСТ ПРОТИВ ИЗЛАГАНЕ НА МИКРОВЪЛНОВО ЛЪЧЕНИЕ

1. Не опитвайте да работите с фурната при отворена врата. Това може да доведе до излагане на микровълново лъчение. Пазете обезопасителните блокиращи устройства от повреди и не ги модифицирайте по никакъв начин.
2. Не поставяйте нищо между лицевата страна и вратата на фурната; не позволявайте върху уплътнителните повърхности да се натрупват остатъци от храна или почистващи препарати.
3. Не използвайте фурната, ако показва признаци на неизправност. От първостепенно значение е вратата на фурната да се затваря плътно и да бъде напълно изправна, заедно с пантите, заключващите механизми и уплътнителни повърхности.
4. Не правете опити да поправяте или модифицирате фурната.

СЪДЪРЖАНИЕ

ВАЖНИ УКАЗАНИЯ ОТНОСНО БЕЗОПАСНОСТТА	3
МОНТАЖ	12
СМУЩЕНИЯ В РАДИОТЕЛЕВИЗИОННИЯ СИГНАЛ	13
ЗАЗЕМЯВАНЕ.....	13
ХАРАКТЕРИСТИКИ	13
ФУРНА И АКСЕСОАРИ	14
ПАНЕЛ ЗА УПРАВЛЕНИЕ	15
ПРЕДИ ДА ПРИСТЪПИТЕ КЪМ УПОТРЕБА	16
НАСТРОЙВАНЕ НА ЧАСОВНИКА.....	16
МИКРОВЪЛНОВО ГОТВЕНЕ	17
БЪРЗ СТАРТ	18
ПЕЧЕНЕ НА ГРИЛ*	18
МИКРОВЪЛНИ И ГРИЛ*	18
АВТОМАТИЧНО МЕНЮ	19
АВТОМАТИЧНО РАЗМРАЗЯВАНЕ	22
АВТОМАТИЧНО ЗАТОПЛЯНЕ*	22
КУХНЕНСКИ ТАЙМЕР	23
ПЕСТЕНЕ НА ЕНЕРГИЯ	23
БЕЗ ЗВУК	24
ЗАКЛЮЧВАНЕ ЗА БЕЗОПАСНОСТ.....	24
ЗАКЛЮЧВАНЕ ЗА ДЕТСКА БЕЗОПАСНОСТ	24
ПОЧИСТВАНЕ И ПРОФИЛАКТИКА	25
ПОДХОДЯЩИ КУХНЕНСКИ СЪДОВЕ	26
ПРЕПОРЪКИ ЗА МИКРОВЪЛНОВО ГОТВЕНЕ.....	28
ПРЕПОРЪКИ ЗА РАЗМРАЗЯВАНЕ.....	30
ПРЕПОРЪКИ ЗА ПРЕТОПЛЯНЕ.....	31
ОТСТРАНЯВАНЕ НА НЕИЗПРАВНОСТИ.....	32
ПРЕДИ ДА ПОТЪРСИТЕ ПОМОЩ	34

* - Отнася се единствено за моделите с грил.

ВАЖНИ УКАЗАНИЯ ОТНОСНО БЕЗОПАСНОСТТА

ПРОЧЕТЕТЕ ВНИМАТЕЛНО И ЗАПАЗЕТЕ ЗА БЪДЕЩИ СПРАВКИ

Предотвратяване на риск от пожар. Микровълновата фурна не трябва да бъде оставяна без надзор по време на работа. Ако нивото на мощност е твърде високо или времетраенето на готвене е с голяма продължителност, е възможно да се стигне до прегряване и пожар.

Тази микровълнова фурна е от свободностоящ тип и е предназначена за разполагане върху кухненски плот. Не я поставяйте в шкаф. Електрическият контакт трябва да бъде лесно достъпен, за да може в случай на авария уредът да бъде изключен бързо.

Захранването, необходимо за работа на уреда е 230-240 V, 50 Hz, с линеен предпазител / прекъсвач поне 10 A. Следва да бъде предвиден отделен прекъсвач, специално предназначен за уреда.

Не поставяйте фурната в непосредствена близост до други източници на топлина, например конвенционална фурна. Не поставяйте фурната на място с висока влажност или на места, където е възможно да се събира влага. Не съхранявайте и не използвайте фурната на открито.

Ако забележите дим, изключете фурната от захранването и не отваряйте вратата, за да прекъснете достъпа на кислород до пламъците.

Използвайте само прибори и съдове, предназначени за микровълнова фурна. Проверете приборите, за да се уверите, че са подходящи за използване в микровълнови фурни.

Ако затопляте храна в пластмасови или хартиени опаковки, наблюдавайте фурната, тъй като съществува опасност от запалване.

След употреба почиствайте капака на вълновода и вътрешността на фурната. Необходимо е да бъдат сухи и без мазнина, тъй като същата може да се нагрее и запали.

Не поставяйте леснозапалими материали в близост до фурната или вентилационните отвори. Не позволявайте вентилационните отвори да бъдат закрити от предмети.

Премахвайте всички метални пломби, тел и др. от храната и хранителните опаковки. Искренето от метални повърхности може да предизвика пожар.

Не използвайте фурната за затопляне на мазнина за пържене. Температурата не може да бъде контролирана и мазнината може да се запали.

За да направите пуканки, използвайте само специалните пакети пуканки, предназначени за микровълнова фурна.

Не съхранявайте храна или други продукти във фурната.

След стартиране на фурната, проверете настройките за да се уверите, че работи както желаете.

Не оставяйте фурната без наблюдение по време на работа.

За да се избегне опасността от прегряване и пожар, е необходимо да се обръща повишено внимание при приготвяне на храни с високо съдържание на мазнини или захар, например наденички, сладкиши или коледен пудинг. Разгледайте съответните препоръки в ръководството за експлоатация.

Предотвратяване на възможни наранявания. ПРЕДУПРЕЖДЕНИЕ:

Не работете с повредена или неисправна фурна. Преди употреба проверете следното:

- а)** Уверете се, че вратата се затваря добре, не виси и не е изкривена.

- b) Проверете дали пантите и защитния заключващ механизъм не са повредени или разхлабени.
- c) Проверете дали уплътненията на вратата и уплътнителните повърхности не са повредени.
- d) Уверете се, че във вътрешността на фурната и по вратата няма вдлъбнатини.
- e) Проверете дали захранващият кабел и щепселът не са повредени.

Ако вратата или уплътненията са повредени, фурната не може да се използва, преди повредата да бъде отстранена от компетентно лице.

Никога не изпълнявайте самостоятелно ремонти или модификации върху фурната. Извършването на всякакви ремонтни дейности, включващи сваляне на капака, предпазващ от микровълновата енергия, от неупълномощени лица е опасно.

Не работете с фурната при отворена врата и не преправяйте ключалките по никакъв начин. Не използвайте фурната в случай, че между уплътненията на вратата и уплътняващата повърхност има някакъв обект.

Не позволявайте по уплътненията на вратата и съпътстващите части да се натрупват мазнини и мръсотия. Почиствайте редовно фурната и отстранявайте всякакви остатъци от храна.

Следвайте инструкциите в раздел "Грижа и почистване". Липсата на поддръжка може да доведе до влошаване на състоянието на повърхностите, като това може да повлияе неблагоприятно върху живота на уреда и да доведе до опасни ситуации.

Хора с изкуствени водачи на сърцето трябва да се консултират с личния лекар или с производителя на водача на сър-

цето относно предпазните мерки по отношение на микровълновите фурни.

Предотвратяване на риска от токов удар

- В никакъв случай не премахвайте външния капак.
- Никога не разливайте или не поставяйте предмети в отворите за заключване или в отворите за вентилация. В случай на разливане изключете незабавно фурната и се обадете на оторизиран сервиз на SHARP.
- Не потапяйте хранващия кабел или щепсела във вода или друга течност.
- Не позволявайте хранващия кабел да виси над ръб на маса или над работна повърхност.
- Дръжте хранващия кабел далече от топли повърхности, както и от задната част на фурната.
- Пазете уреда и кабела му на места, недостъпни за деца под 8 годишна възраст.
- Не се опитвайте да подмените лампата на фурната сами и не позволявайте на никой, който не е електротехник, оторизиран от SHARP за това. Ако лампата изгори, моля, консултирайте се с Вашия търговец или с оторизиран сервиз на SHARP.
- В случай че хранващият кабел бъде повреден, същият трябва да бъде заменен в сервиз, упълномощен от SHARP.

ПРЕДУПРЕЖДЕНИЕ: Течности или други храни не трябва да бъдат нагривани в запечатани опаковки, тъй като е възможно да експлодират. При нагриване на напитки с микровълни може да възникне забавено кипене. Ето защо съдът трябва да бъде докосван внимателно. Избягване на възможността от избухване или внезапно кипене:

Никога не използвайте запечатани съдове. Преди употреба сваляйте капачите. Запечатаните съдове могат да експло-

дират вследствие натрупаното налягане, дори и след като фурната бъде изключена. При нагриване на течности използвайте съдове с широк отвор, позволяващ изпускане на мехурчетата.

Никога не затопляйте течности в съдове с тясно гърло, например бебешки бутилки, тъй като при загряване може да се стигне до изригване на съдържанието от съда и причиняване на изгаряне.

За да се предотврати внезапно кипене или избухване на течност и възможно изгаряне:

1. Не използвайте фурната за твърде продължителни периоди от време.
2. Разбъркайте течността преди затопляне.
3. Препоръчително е по време на нагриване в течността да бъде потопена стъклена бъркалка или друг подобен (не метален) прибор.
4. Оставете течността да престои във фурната 20 секунди след затоплянето, за да се предотврати забавеното кипене.

Не гответе яйца с черупка и не затопляйте твърдо сварени яйца, тъй като е възможно да експлодират, дори и след като микровълновата обработка е приключила. При готвене или затопляне на яйца, които не са бъркани или миксирани, пробийте жълтъка и белтъка. Обелете и нарежете твърдо сварените яйца преди да ги затоплите в микровълновата фурна.

Пробивайте обвивката на храни като картофи, колбаси и плодове преди готвене, защото в противен случай могат да се взривят.

ПРЕДУПРЕЖДЕНИЕ: Съдържанието на шишета и буркани с детски храни трябва да бъде разклащано преди

употреба. Температурата трябва да бъде проверявана, с цел избягване на изгаряния. При изваждането на храни от фурната използвайте кухненски ръкавици, тъй като е възможно да се изгорите. Предотвратяване на риска от изгаряния:

- Винаги отваряйте съдовете, опаковките с пуканки, торбичките за печене и др. далеч от лицето и ръцете си, за да избегнете изгаряния от пара и изкипяване. За да предотвратите изгаряния, винаги проверявайте температурата на храната и разбърквайте преди сервиране. Обръщайте особено внимание на температурата на храната, която давате на бебета, деца или възрастни хора. Откритите части могат да се нагорещят по време на употреба. Малките деца трябва да бъдат държани настрана.
- Температурата на съда не е надежден индикатор за степента на затопляне на храната или напитката. Не пропускайте да проверите температурата самостоятелно.
- При отваряне на вратата се отдръпвайте, за да не се изгорите от парата.
- След затопляне нарязвайте пълнените печени храни, така че парата да бъде изпусната и да се избегнат изгаряния.
- Дръжте децата далеч от вратата, за да ги предпазите от изгаряне.

ПРЕДУПРЕЖДЕНИЕ: Фурната може да бъде използвана самостоятелно от деца над 8 години само след като са получили съответните указания за безопасна експлоатация и осъзнават рисковете от неправилна употреба.

При работа в режими ГРИЛ, МИКС ГРИЛ, КОНВЕКЦИОННО ГОТВЕНЕ, СМЕСЕНО КОНВЕКЦИОННО ГОТВЕНЕ и АВТОМАТИЧНО МЕНЮ (режимите са налични в зависимост от модела) се генерира висока температура, ето защо децата трябва да бъдат наблюдавани.

Уредът не е предназначен да бъде използван от лица (включително деца) с намалени физически, сетивни или умствени способности или с липсата на опит и знания, освен ако са под надзор или са инструктирани от лице, отговорно за тяхната безопасност.

Децата трябва да бъдат наблюдавани, за да се гарантира, че не си играят с уреда. Почистването на уреда може да бъде изпълнявано от деца единствено ако се наблюдават от възрастен.

Моделите с електронен сензорен панел разполагат с режим за заключване за детска безопасност.

Не се дръжте и не се люлейте на вратата на фурната. Не си играйте с фурната и не я използвайте като играчка.

Всички важни инструкции за безопасност трябва да бъдат разяснени на децата, а именно: използване на кухненски ръкавици, внимателно премахване на обвивките на храните – да се обръща специално внимание на опаковките (например на самозатоплящите се материали), предназначени да поддържат храната свежа, тъй като същите могат да бъдат много нагорещени.

Други предупреждения

Никога и по никакъв начин не извършвайте модификации върху фурната.

Не премествайте фурната докато работи.

Този продукт е предназначен за употреба в домашни условия. Тази фурна е предназначена единствено за домашно приготвяне на храни и напитки. Сушенето на храна или дреди, както и нагряването на отоплителни подложки, чехли, гъби, влажни кърпи и т.н. може да доведе до риск от нараняване или пожар. Не се препоръчва употреба в търговски или лабораторни условия.

За насърчаване на безпроблемната работа на Вашата фурна и избягване на повреда.

Никога не включвайте фурната празна. При използване на съдове за запичане или такива от самозатоплящ се материал, винаги поставяйте под тях топлоустойчива преграда (напр. порцеланова чиния), за да предотвратите увреждане на плочата вследствие на прекомерно нагриване. Времето за затопляне на храната, посочено в инструкциите не трябва да бъде превишавано.

Не използвайте метални прибори и консерви, тъй като отразяват микровълните и могат да причинят дъгов разряд.

Предпазване на въртящата чиния или плочата от счупване:

- a) Преди да пристъпите към почистване с вода, изчакайте да се охлади.
- b) Не поставяйте нагорещени или студени храни или нагорещени съдове върху студена въртяща чиния/плоча.
- c) Не поставяйте нищо върху външната кутия по време на работа.

ЗАБЕЛЕЖКА:

При микровълново затопляне не използвайте пластмасови опаковки, ако фурната е все още нагорещена след работа в режим на комбинирано готвене (в зависимост от модела), тъй като е възможно да се разтопят.

При горните функции не трябва да бъдат използвани пластмасови опаковки, освен ако производителят изрично не е отбелязал, че могат да бъдат използвани.

Ако не сте сигурни как да свържете Вашата фурна, моля, консултирайте се с оторизиран, квалифициран електротехник.

Нито производителят, нито търговецът не поемат отговорност за повреди по фурната в следствие на неспазване на

процедурата по правилното електрическо свързване.

Понякога могат да се образуват водна пара или капки по стените на фурната, по уплътненията и зоните за уплътняване. Това е нормално явление и не е признак за теч или за неизправност.

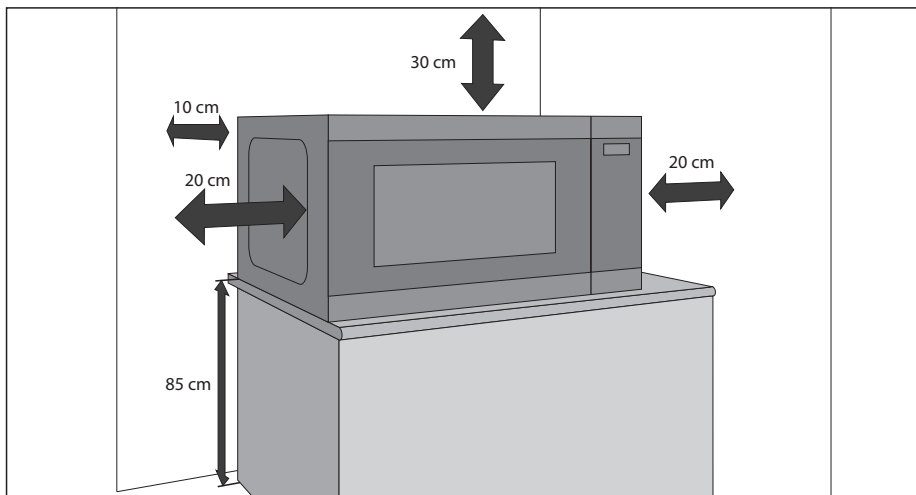
Този уред е предназначен за битова и друга подобна употреба, напр.: в кухненски помещения за персонал в магазини, офиси и др.; в земеделски стопанства; от клиенти на хотели, мотели и други места за настаняване; в места за настаняване тип нощувка и закуска.



Този символ означава, че повърхностите може да се нагорещят по време на работа.

МОНТАЖ

1. Отстранете всички опаковъчни материали от вътрешността на фурната, както и всички предпазващи ленти по повърхностите на вътрешната част.
2. Проверете внимателно фурната за всякакви следи от повреда.
3. Поставете фурната на сигурна, равна повърхност, достатъчно стабилна да издържи теглото на фурната плюс най-тежкия продукт, който може да бъде приготвен във фурната. Не поставяйте фурната в шкаф.
4. Изберете равна повърхност, осигуряваща достатъчно свободно пространство за вентилационните отвори. Вж. изображението на първа страница. Задната страна на фурната може да бъде разположена срещу стена.
 - Минималната монтажна височина е 85 см.
 - Минималното отстояние на фурната от съседните стени или обекти е 20 см.
 - Оставете минимум 30 см. свободно пространство над фурната.
 - Не отстранявайте крачетата от дъното на фурната.
 - Блокирайки вентилационните отвори можете да повредите фурната.
 - Поставете фурната възможно най-далече от радиоприемници и телевизори. Работата на микровълновата фурна може да предизвика смущения на радио / телевизионния сигнал.



5. Свържете стабилно щепсела на фурната към стандартен (заземен) домакински контакт.

ПРЕДУПРЕЖДЕНИЕ:

Не излагайте фурната на топлина, вода или висока влажност (напр. в близост или върху конвенционална фурна); не я разполагайте непосредствено до леснозапалими материали (напр. завеси).

Не блокирайте вентилационните отвори.

Не поставяйте предмети върху фурната.

По време на работа или непосредствено след това външните повърхности на микровълновата фурна могат да бъдат нагорещени и при докосване съществува опасност от изгаряне.

СМУЩЕНИЯ В РАДИОТЕЛЕВИЗИОННИЯ СИГНАЛ

Работата на микровълновата фурна може да предизвика смущения в радиотелевизионния сигнал. В тези случаи можете да предприемете следните мерки, за да ги ограничите:

1. Почистете вратата и вътрешността на фурната на мястото, където имат съприкосновение.
2. Променете посоката на приемащата антена на радиото или телевизора.
3. Променете положението на микровълновата фурна спрямо приемника.
4. Включете микровълновата фурна в различен контакт, така че да не бъде в една верига с приемника.

ЗАЗЕМЯВАНЕ

Уредът трябва да бъде правилно заземен. Захранващият кабел разполага със заземителен проводник и клема. Същият следва да бъде включван единствено в контакт, който е надлежно монтиран и заземен. В случай на късо съединение, заземяването ограничава опасността от токов удар чрез изпускателен проводник за електрическия заряд. Препоръчва се за фурната да бъде използвана отделна самостоятелна верига.



ПРЕДУПРЕЖДЕНИЕ: Неправилното използване на заземяващия щепсел може да доведе до опасност от токов удар.

ЗАБЕЛЕЖКА:

1. Ако имате въпроси относно указанията за заземяване и електрическо свързване, потърсете съдействие от квалифициран електротехник или упълномощен сервизен служител.
2. Производителят и търговският представител не могат да бъдат подвеждани под отговорност по повод щети по фурната или физически наранявания, възникнали в резултат на неправилно свързване към електрическата мрежа.

Захранващият кабел на фурната съдържа оцветени проводници, означаващи съответно:

Зелено и жълто – ЗЕМЯ

Синьо – НЕУТРАЛЕН

Кафяво – ФАЗА

ХАРАКТЕРИСТИКИ

Наименование на модела:	YC-PS204A	YC-PS234A	YC-PS254A	YC-PG204A	YC-PG234A	YC-PG254A	YC-PG284A
Промениливо мрежово напрежение	230–240 V, 50 Hz монофазно						
Линейен предпазител/прекъсвач	10 A						
Конструкция на енергия:	700 W	900 W	900 W	700 W	900 W	900 W	900 W
Микровълни							
Грил	900 W						
При изключен уред	< 0,5 W						
В режим за пестене на енергия	> 0,5 W						
Изисквания за променливотокова мощност	1200 W	1400 W	1400 W	1400 W	1400 W	1400 W	1400 W
Микровълнова честота	2450 MHz*						
Външни размери (ширина) x (височина) x (дълбочина) мм	455 x 274 x 334	483 x 281 x 377	483 x 281 x 403	455 x 274 x 345	483 x 281 x 395	483 x 281 x 403	539 x 309 x 441
Вътрешни размери (ширина) x (височина) x (дълбочина)** мм	315 x 198 x 297	340 x 220 x 320	340 x 220 x 344	315 x 198 x 297	340 x 220 x 320	340 x 220 x 344	354 x 220 x 358
Капацитет на фурната	20 литра**	23 литра**	25 литра**	20 литра**	25 литра**	25 литра**	28 литра**
Диаметър на въртащата чиния	245 мм	270 мм	270 мм	245 мм	270 мм	270 мм	325 мм
Размери на поставката за грил (Ш) x (Д) мм	190 x 79						
Тегло	прибл. 10,5 кг	прибл. 12,9 кг	прибл. 13,5 кг	прибл. 10,9 кг	прибл. 13,9 кг	прибл. 13,7 кг	прибл. 16,6 кг
Вътрешно LED осветление за фурна	1,5 W						

* - Този продукт отговаря на изискванията на Европейски стандарт EN55011. Съобразно този стандарт, продуктът се класифицира като оборудване група 2 клас В.

Група 2 означава, че този уред целенасочено произвежда радиочестотна енергия под формата на електромагнитна радиация за топлинна обработка на храната.

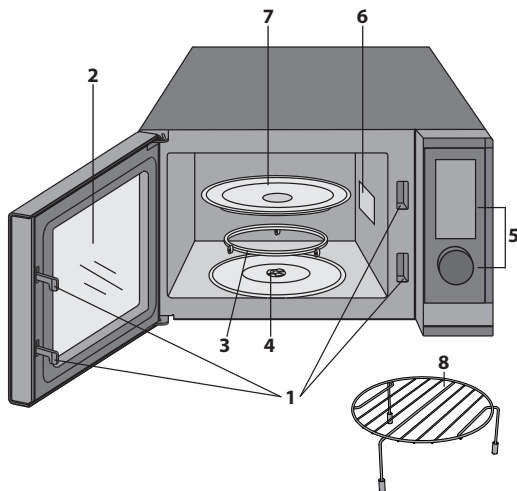
Оборудване от клас В означава, че този уред може да бъде използван в домашни условия.

** - Вътрешният капацитет се измерва чрез измерване на максималната ширина, дълбочина и височина. Действителният капацитет на камерата за храна е по-малък.

КАТО ЧАСТ ОТ ПОЛИТИКАТА ЗА НЕПРЕКЪСНАТО УСЪВЪРШЕНСТВАНЕ, НИЕ СИ ЗАПАЗВАМЕ ПРАВОТО ДА ПРОМЕНЯМЕ ДИЗАЙНА И СПЕЦИФИКАЦИИТЕ БЕЗ ПРЕДУПРЕЖДЕНИЕ.

ФУРНА И АКСЕСОАРИ

1. Заклучваща система за безопасност
2. Прозорец
3. Водеща ролка
4. Съединително звено
5. Селектор и бутони за управление
6. Капак на вълновода (НЕ СВАЛЯЙТЕ)
7. Стъклена плоча
8. Поставка за грил за модели YC-PG204A, YC-PG234A, YC-PG254A и YC-PG284A
9. Отвори за вентилация
10. Външна кутия
11. Захранващ кабел



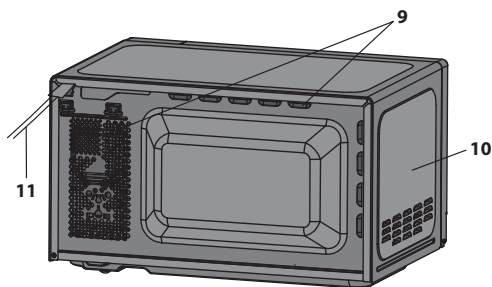
Уверете се, че следните аксесоари са налични:

Само при модели с грил:

- **Поставка за грил** – използва се единствено при готвене с функция грил.
- Поставката за грил е предназначена за употреба единствено при фурни с грил. **НЕ Я ИЗПОЛЗВАЙТЕ** при микровълново готвене.
- Повече информация относно употребата на поставката за грил можете да намерите в раздели ГРИЛ на настоящото ръководство.

Никога не докосвайте грила, докато е нагорещен.


ЗАБЕЛЕЖКА: Когато поръчвате принадлежности, моля упоменете два елемента: наименование на частта и наименование на модела.



ЗАБЕЛЕЖКИ:

- След приготвяне на мазни храни без поставен капак винаги почиствайте добре вътрешността на фурната, докато остане напълно суха. Натрупването на мазнини създава риск от прегряване и запалване.
- При микровълново готвене винаги поставяйте съдовете с храна или напитки върху въртящата чиния.
- **НЕ ИЗПОЛЗВАЙТЕ** поставката за грил при микровълново готвене (без грил).



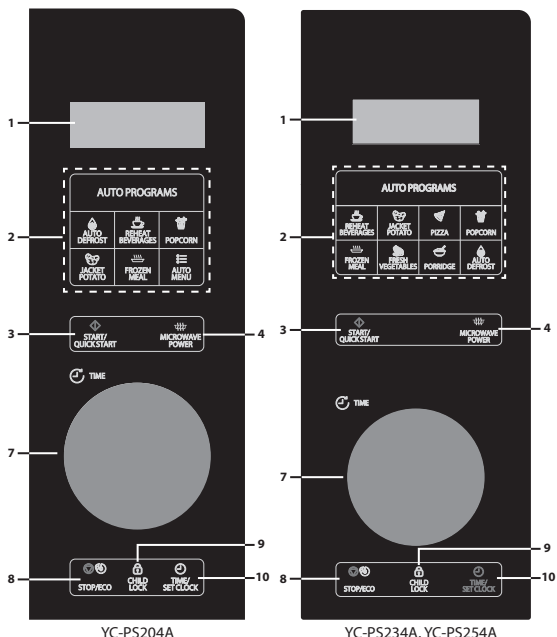
ПРЕДУПРЕЖДЕНИЕ:  Този символ показва, че при експлоатация повърхностите (вратата, корпусът, вътрешността на фурната и аксесоарите) могат да се нагорещат. За да предотвратите изгаряния, винаги използвайте дебели ръкавици за фурна.

ПАНЕЛ ЗА УПРАВЛЕНИЕ

- ЦИФРОВ ДИСПЛЕЙ** – показва времетрае на готвене, мощност, индикатори и точен час.
- Бутони за АВТОМАТИЧНО МЕНЮ** – избор на автоматично меню за готвене (за по-подробна информация вж. стр. 19).
- START/QUICK START** (Старт/Бърз старт) – (стр. 18).
- MICROWAVE POWER** (Микровълнова мощност) – избор на микровълнова мощност (стр. 17).
- GRILL** (Грил) – задавана на програма за готвене с грил (стр. 18).
- MICROWAVE+GRILL** (Микровълни и грил) – програма за комбинирано готвене с микровълнова енергия и грил (стр. 18).
- СЕЛЕКТОР** – задаване на различни функции чрез завъртане по посока и срещу часовниковата стелка.
- STOP/ECO** (Стол/Енергоспестяващ режим) – при еднократно натискане програмата се прекъсва временно; след две натискания програмата се отменя.

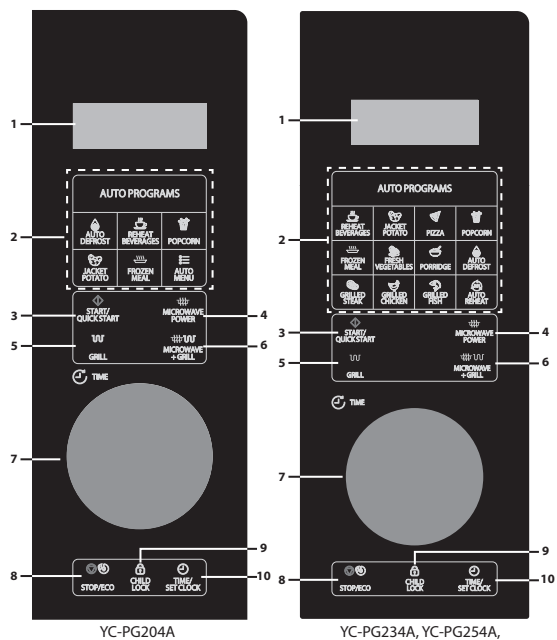
Използва се за задаване на Енергоспестяващ режим. (Стр. 23).

- CHILD LOCK** (Заклучване за детска безопасност) – (стр. 24).
- TIME/SET CLOCK** (Часовник/Таймер) – задаване на точен час/функция таймер (стр. 16).



YC-PS204A

YC-PS234A, YC-PS254A



YC-PG204A

YC-PG234A, YC-PG254A,
YC-PG284A

ПРЕДИ ДА ПРИСТЪПИТЕ КЪМ УПОТРЕБА

След като уредът бъде включен в електрическата мрежа за пръв път, ще прозвучи еднократен звук сигнал, а върху дисплея ще бъде изписано "1: 00". Имайте предвид, че за да функционира фурната правилно, не е необходимо часовникът да бъде сверен. За настройване на часовника следвайте инструкциите в раздел "**Настройване на часовника**" на настоящото ръководство.

При първоначалното използване на грила ще бъдат отделени дим и миризми. За да се избегне тяхното въздействие върху приготвяната храна, активирайте функция грил при празна фурна за ок. 20 мин.

- Ако вратата бъде отворена и затворена, ще се активира режим на готовност. При липса на активност от страна на потребителя в рамките на 1 минута, дисплеят ще остане включен, а бутоните ще бъдат заключени. За повторно активиране на режима на готовност, отворете и затворете вратата отново.
- Ако бутон **STOP/ECO** бъде натиснат еднократно по време на готвене, цикълът ще бъде поставен в пауза. За неговото възобновяване натиснете бутон **START/QUICK START**. Ако бутон **STOP/ECO** бъде натиснат два пъти, програмата ще бъде отменена.
- Когато при задаване на програма между отделните натискания на бутони бъде направена пауза от 30 секунди или повече, фурната ще се върне в режим на готовност.
- След завършване на цикъла на готвене, върху дисплея ще се изпише "**End**" (Край) и на всеки две минути ще прозвучава аудио сигнал, докато вратата не бъде отворена или някой от бутоните не бъде натиснат.

НАСТРОЙВАНЕ НА ЧАСОВНИКА

Фурната разполага с часовник, който може да бъде зададен за показване в 12 или 24-часов формат. За да настроите часовника, изпълнете следното:

1. В режим на готовност натиснете и задръжте бутон **TIME/SET CLOCK** за 3 секунди. Ще бъде стартиран режим за настройване на часовника.
 2. Натиснете бутон **TIME/SET CLOCK**, за да изберете 12 или 24-часов формат.
 3. Завъртете **СЕЛЕКТОРА**, за да зададете точния час. Натиснете бутон **TIME/SET CLOCK** за потвърждение.
 4. Завъртете **СЕЛЕКТОРА**, за да зададете минутите. Натиснете бутон **TIME/SET CLOCK** за потвърждение и изход от режима за настройване на часовника.
- За нормалното функциониране на фурната не е необходимо часовникът да бъде сверен.
 - В режим на готвене натиснете бутон **TIME/SET CLOCK** за преглед на точния час от деня (ако часовникът е сверен). След 5 секунди върху дисплея отново ще бъде показано оставащото времетраене на готвене. Имайте предвид, че точният час не може да бъде показан при зададен кухненски таймер.

МИКРОВОЪЛНОВО ГОТВЕНЕ

За използване на тази функция, следвайте указанията по-долу:

1. В режим на готовност натиснете неколккратно бутон **MICROWAVE POWER**, за да зададете желаното ниво на микровълнова мощност. При всяко натискане на бутона ще бъде показано съответното ниво.
2. След като желаното ниво на мощност бъде избрано, завъртете **СЕЛЕКТОРА**, за да зададете времетраене на готвене.
3. Натиснете бутон **START/QUICK START**, за да стартирате процеса на готвене.
4. След завършване на цикъла на готвене, върху дисплея ще се изпише "**End**" (Край) и на всеки две минути ще прозвучава аудио сигнал, докато вратата не бъде отворена или някой от бутоните не бъде натиснат.

Използвайте таблицата по-долу за справка. Фурната разполага с 10 нива на микровълнова мощност – 10%, 20%, 30%, 40%, 50%, 60%, 70%, 80%, 90% и 100%. Действителната изходна мощност може да бъде получена чрез умножаване на микровълновата мощност по съответния процент.

Ръководство за микровълново готвене:

Дисплей	Микровълнова мощност	Препоръчителна употреба
P100	100 %	Бързо готвене или претопляне, напр. на говеци, топли напитки, зеленчуци и др.
P-80	80 %	Висококалорични храни, които изискват продължително време на приготвяне по традиционен начин, напр. говеждо месо. Тази настройка се препоръчва за запазване крехкостта на месото.
P-60	60 %	Продължително готвене на гъсти храни като печено, месо, хляб и покрити ястия, а също и чувствителни храни като сос от сирене и пандишпани.
P-40	40 %	Осигурява равномерно размразяване. Тази настройка е идеална за варене на ориз, макаронени изделия, кнедли и яйчен крем.
P-20	20 %	Леко размразяване, например на кремове или сладкиши.

- Нивото на мощност може да бъде проверено по време на готвене чрез натискане и задържане на бутон **MICROWAVE POWER**.
- Максималното времетраене е 95 минути.

БЪРЗ СТАРТ

За незабавно стартиране на готвене при 100% мощност натиснете бутон **START/QUICK START** на **СЕЛЕКТОРА**, докато уредът е в режим на готовност. При всяко натискане на бутон **START/QUICK START** към времетраенето ще бъдат добавяни 30 секунди.

ПЕЧЕНЕ НА ГРИЛ*

Грилет в горната част на фурната разполага само с една ефективна и икономична настройка за мощност. Можете да го използвате за печене на бекон, филе, рибени крокети и чаени бисквити. Поставката за грил е чудесен избор за приготвяне на малки части храна, напр. бекон и наденички (не забравяйте да ги преобръщате). Храната може да бъде поставена директно върху скарата или в термоустойчив съд върху нея. За да предотвратите замърсяването с мазнина, под грила трябва да бъде поставена подходяща тава. Можете да използвате поставката за грил при запичане на хрупкава коричка, ако съдът е достатъчно плитък. Все пак, препоръчително е такива съдове да бъдат поставяни направо върху въртящата чиния, като бъде оставено допълнително време за придобиване на апетитен кафяв цвят. Поставката за грил не може да бъде използвана за печене на скара.

За използване на функция грил, следвайте указанията по-долу:

1. В режим на готовност натиснете бутон **GRILL**, за да изберете функция грил. Върху дисплея ще бъде изписано "Grill" (Грил).
2. Завъртете **СЕЛЕКТОРА**, за да зададете времетраенето на готвене.
3. Натиснете бутон **START/QUICK START**, за да стартирате процеса на готвене.
4. След завършване на цикъла на готвене, върху дисплея ще се изпише "End" (Край) и на всеки 2 минути ще прозвучава аудио сигнал, докато вратата не бъде отворена или някой от бутоните не бъде натиснат.

* - Отнася се единствено за моделите с грил.

МИКРОВЪЛНИ И ГРИЛ*

С помощта на функцията за комбинирано готвене с микровълни и грил можете бързо да запичате или готвите храна. За да я използвате, следвайте указанията по-долу:

1. В режим на готовност натиснете еднократно бутон **MICROWAVE + GRILL**, за да изберете режим "Co-1" или двукратно, за да изберете "Co-2".
2. Завъртете **СЕЛЕКТОРА**, за да зададете времетраене на готвене.
3. Натиснете бутон **START/QUICK START** за стартиране.
4. След завършване на цикъла на готвене, върху дисплея ще се изпише "End" (Край) и на всеки две минути ще прозвучава аудио сигнал, докато вратата не бъде отворена или някой от бутоните не бъде натиснат.

Функция за готвене с микровълни и грил

Дисплей	Изх. мощност	Препоръчителна употреба
Co-1	70% грил / 30% микровълнова мощност	Пилешки хапки, пилешки гърди, свински котлети
Co-2	56% грил / 44% микровълнова мощност	Цяло пиле

- Максималното времетраене с включен грил е 95 минути.
- Докато уредът работи е необходимо да отворите прозорец или да включите кухненската вентилация, за да позволите на дима и миризмите да се разнесат. Това е нормално явление и не се дължи на неизправност.
- Можете да проверите зададения режим на комбинирано готвене с натискане на бутон **MICROWAVE + GRILL**.
- Ако функцията за печене на грил бъде използвана, грилет ще се включва и изключва на равни времеви интервали с цел предотвратяване на прегаряне на храната.
- Когато използвате режим на комбинирано готвене с МИКРОВЪЛНИ И ГРИЛ, храната може да бъде поставена в подходящ съд непосредствено върху въртящата чиния или върху поставката за грил.

ПРЕДУПРЕЖДЕНИЕ! По време на работа вратата, корпусът, вътрешността на фурната, аксесоарите или съдовете могат да бъдат силно нагорещени. За да избегнете изгаряния, винаги използвайте дебели ръкавици за фурна.

* - Отнася се единствено за моделите с грил.

АВТОМАТИЧНО МЕНЮ

Програмите от автоматичното меню позволяват храната да бъде приготвена бързо и ефективно само с няколко натискания на бутони. Без да се налага времетраенето и нивото на мощност да бъдат програмирани, единственото, което се изисква от потребителя, е да натисне определен бутон от програмите за автоматично готвене, да въведе тегло/брой части храна чрез завъртане на **СЕЛЕКТОРА**, след което да натисне бутон **START/QUICK START**.

Пример за приготвяне на два пълнени картофа.

1. Отворете вратата на фурната и поставете храната в нея, като използвате подходящи съдове в зависимост от избора на цикъл на готвене.
2. Затворете вратата.
3. Натиснете еднократно бутон **JACKET POTATO**.
4. Завъртете **СЕЛЕКТОРА**, за да въведете броя на картофите.
5. Натиснете бутон **START/QUICK START**.
6. След завършване на цикъла на готвене, върху дисплея ще се изпише "**End**" (Край) и на всеки две минути ще прозвучава аудио сигнал, докато вратата не бъде отворена или някой от бутоните не бъде натиснат.

Менюта за автоматично готвене:

Автоматична програма	Размер/Тегло
Замразено ястие Автоматично размразяване Автоматично затопляне	Изберете теглото на храната чрез завъртане на СЕЛЕКТОРА . Замразено ястие и автоматично затопляне (200 г до 800 г), Автоматично размразяване (100 г до 1800 г)
Затопляне на напитки	Изберете брой чаши (1 – 3 бр. по 200 мл) чрез завъртане на СЕЛЕКТОРА .
Пълнени картофи	Изберете брой картофи (1 или 2 бр. по 230 г) чрез завъртане на СЕЛЕКТОРА .
Пица	Изберете тегло за пица (150 г / 300 г / 450 г) чрез завъртане на СЕЛЕКТОРА .
Пуканки	Изберете брой пакети пуканки (100 г всеки) чрез завъртане на СЕЛЕКТОРА .
Пресни зеленчуци	Изберете тегло за зеленчуци (200 г до 600 г) чрез завъртане на СЕЛЕКТОРА .
Каша	Изберете тегло за каша (50 г до 150 г) чрез завъртане на СЕЛЕКТОРА .
Пържола на грил (единствено при модели, разполагащи с грил)	Изберете тегло за пържола (200 г до 600 г) чрез завъртане на СЕЛЕКТОРА .
Пиле на грил (единствено при модели, разполагащи с грил)	Изберете тегло за пиле (200 г до 600 г) чрез завъртане на СЕЛЕКТОРА .
Риба на грил (единствено при модели, разполагащи с грил)	Изберете тегло за риба (200 г до 600 г) чрез завъртане на СЕЛЕКТОРА .

- Когато използвате автоматично готвене, резултатите може да се различават в зависимост от формата и размера на храната, както и от личните Ви предпочитания по отношение на степента на изпичане на някои храни и разположението им във фурната. Ако не сте доволни от програмата, настройте времетраенето на готвене, така че да съвпада с Вашите изисквания.

Забележка: Бутон Auto Menu (Автоматично меню) се използва единствено при модели YC-PG204A и YC-PS204A. При всяко натискане на бутон, върху дисплея ще бъдат показвани програмите за автоматично готвене от таблицата по-горе. Когато желаното автоматично меню бъде избрано, завъртете **СЕЛЕКТОРА**, за да изберете тегло на храната, която желаете да бъде приготвена.

Работа с програмите за автоматично готвене

Храна	Количество	Първоначална температура	Техники на готвене
Затопляне на напитки	1 до 3 чаши 1 чаша – 200 ml	Стайна температура	<ol style="list-style-type: none"> 1. Поставете наливката, която желаете да затоплите, върху центъра на стъклената въртяща чиния. 2. Затворете вратата и натиснете бутон REHEAT BEVERAGES (Затопляне на напитки), след което изберете броя чаши чрез завъртане на СЕЛЕКТОРА. 3. Натиснете бутон START/QUICK START, за да стартирате процеса на готвене. 4. Когато таймерът приключи отброяването, извадете наливката. Бъдете внимателни, ще бъде гореща!
Пълнени картофи	1 до 2 картофа 1 картоф – 230±10g	Стайна температура	<ol style="list-style-type: none"> 1. Измийте и подсушете картофите, след което прободете тяхната повърхност с вилица няколко пъти. 2. Поставете картофите върху центъра на стъклената въртяща чиния. 3. Затворете вратата и натиснете бутон JACKET POTATO (Пълнени картофи), след което изберете броя картофи чрез завъртане на СЕЛЕКТОРА. 4. Натиснете бутон START/QUICK START, за да стартирате процеса на готвене. 5. Когато таймерът приключи отброяването, извадете картофите. Бъдете внимателни, ще бъдат горещи!
Пица	150 до 450 g	Замразено на -18°C	<ol style="list-style-type: none"> 1. Поставете пицата в съд за микровълново готвене в центъра на въртящата чиния. 2. Затворете вратата и натиснете бутон PIZZA (Пица), след което изберете темпото чрез завъртане на СЕЛЕКТОРА. 3. Натиснете бутон START/QUICK START, за да стартирате процеса на готвене. 4. Когато таймерът приключи отброяването, извадете пицата. Бъдете внимателни, ще бъде гореща!
Пуканки	100 g	Стайна температура	<ol style="list-style-type: none"> 1. Поставете пуканките в центъра на стъклената въртяща чиния. 2. Затворете вратата и натиснете бутон POPCORN (Пуканки). 3. Натиснете бутон START/QUICK START, за да стартирате процеса на готвене. 4. Когато таймерът приключи отброяването, извадете пуканките. Бъдете внимателни, ще бъдат горещи!
Замразено ястие	200 до 800g	Замразено на -18°C	<ol style="list-style-type: none"> 1. Сложете замразеното ястие в съд за микровълново готвене и го покрийте с полиетиленово фолио; пробийте отвори във фолиото. 2. Поставете ястието върху центъра на стъклената въртяща чиния. 3. Затворете вратата и натиснете бутон FROZEN MEAL (Замразено ястие), след което изберете темпото чрез завъртане на СЕЛЕКТОРА. 4. Натиснете бутон START/QUICK START, за да стартирате процеса на готвене. 5. Когато таймерът приключи отброяването, извадете и сервирайте храната. Бъдете внимателни, ще бъде гореща!
Пресни зеленчуци	200 до 600 g	Стайна температура	<ol style="list-style-type: none"> 1. Измийте и нарежете зеленчуците на малки парчета с дължина 25-30mm и дебелина около 10mm. 2. Сложете нарязаните парчета в керамична купа, подходяща за микровълново готвене; покрийте купата с полиетиленово фолио; пробийте отвори във фолиото. 3. Поставете купата в центъра на стъклената въртяща чиния. 4. Затворете вратата и натиснете бутон FRESH VEGETABLES (Пресни зеленчуци), след което изберете темпото чрез завъртане на СЕЛЕКТОРА. 5. Натиснете бутон START/QUICK START, за да стартирате процеса на готвене. 6. Когато таймерът приключи отброяването, извадете и сервирайте храната. Бъдете внимателни, ще бъде гореща!
Каша	50 до 150 g	Стайна температура	<ol style="list-style-type: none"> 1. Смесете овесената каша и млякото в купа. Препоръчителното съотношение е 180ml мляко за 50g овесени ядки. 2. Поставете купата в центъра на стъклената въртяща чиния. 3. Затворете вратата и натиснете бутон PORRIDGE (Каша), след което изберете темпото чрез завъртане на СЕЛЕКТОРА. 4. Натиснете бутон START/QUICK START, за да стартирате процеса на готвене. 5. Когато таймерът приключи отброяването, извадете и сервирайте храната.
Автоматично затопляне	200 до 800 g	Охладено на 5°C	<ol style="list-style-type: none"> 1. Сложете охладените ориз или паста в керамична купа, подходяща за микровълново готвене; покрийте купата с полиетиленово фолио; пробийте отвори във фолиото. 2. Поставете купата в центъра на стъклената въртяща чиния. 3. Затворете вратата и натиснете бутон AUTO REHEAT (Автоматично затопляне), след което изберете темпото чрез завъртане на СЕЛЕКТОРА. 4. Натиснете бутон START/QUICK START, за да стартирате процеса на готвене. 5. Когато таймерът приключи отброяването, извадете и сервирайте храната.
Пържола на грил	200 до 600 g	Стайна температура	<ol style="list-style-type: none"> 1. Разпределете пържолата равномерно върху поставката за грил, покрита с пергаментова хартия. 2. Сложете поставката за грил в центъра на стъклената въртяща чиния. 3. Затворете вратата и натиснете бутон GRILLED STEAK (Пържола на грил), след което изберете темпото чрез завъртане на СЕЛЕКТОРА. 4. Натиснете бутон START/QUICK START, за да стартирате процеса на готвене. 5. След изминаване на 2/3 от времетраеното на готвене, отворете вратата и обърнете храната, след което затворете и продължете готвенето. 6. Когато таймерът приключи отброяването, извадете и сервирайте ястието. Бъдете внимателни, храната и съдвете ще бъдат нагорещени!
Пилешки хапки на грил	200 до 600 g	Стайна температура	<ol style="list-style-type: none"> 1. Разпределете пилешките хапки равномерно върху поставката за грил, покрита с пергаментова хартия. 2. Сложете поставката за грил в центъра на стъклената въртяща чиния. 3. Затворете вратата и натиснете бутон GRILLED CHICKEN (Пиле на грил), след което изберете темпото чрез завъртане на СЕЛЕКТОРА. 4. Натиснете бутон START/QUICK START, за да стартирате процеса на готвене. 5. След изминаване на 2/3 от времетраеното на готвене, отворете вратата и обърнете храната, след което затворете и продължете готвенето. 6. Когато таймерът приключи отброяването, извадете и сервирайте ястието. Бъдете внимателни, храната и съдвете ще бъдат нагорещени!
Рибни хапки на грил	100 до 500 g	Стайна температура	<ol style="list-style-type: none"> 1. Разпределете рибните хапки равномерно върху поставката за грил, покрита с пергаментова хартия. 2. Сложете поставката за грил в центъра на стъклената въртяща чиния. 3. Затворете вратата и натиснете бутон GRILLED FISH (Риба на грил), след което изберете темпото чрез завъртане на СЕЛЕКТОРА. 4. Натиснете бутон START/QUICK START, за да стартирате процеса на готвене. 5. След изминаване на 2/3 от времетраеното на готвене, отворете вратата и обърнете храната, след което затворете и продължете готвенето. 6. Когато таймерът приключи отброяването, извадете и сервирайте ястието. Бъдете внимателни, храната и съдвете ще бъдат нагорещени!

Забележка	Режим на фурната и начин на приготвяне	YC-PS204A	YC-PS234A и YC-PS254A	YC-PG204A	YC-PG234A, YC-PG254A и YC-PG284A
	Само микровълново готвене на 100% мощност	1 чаша – 1:40 минути 2 чаши – 3:00 минути 3 чаши – 4:20 минути	1 чаша – 1:30 минути 2 чаши – 2:40 минути 3 чаши – 3:50 минути	1 чаша – 1:40 минути 2 чаши – 3:00 минути 3 чаши – 4:20 минути	1 чаша – 1:30 минути 2 чаши – 2:40 минути 3 чаши – 3:50 минути
	Само микровълново готвене на 100% мощност	1 картоф – 6:00 минути 2 картофа – 9:00 минути 3 картофа – 13:00 минути	1 картоф – 5:00 минути 2 картофа – 8:00 минути 3 картофа – 12:00 минути	1 картоф – 6:00 минути 2 картофа – 9:00 минути 3 картофа – 13:00 минути	1 картоф – 5:00 минути 2 картофа – 8:00 минути 3 картофа – 12:00 минути
При модели YC-PS204A и YC-PG204A бутон AUTO MENU трябва да бъде натиснат неколкократно, докато желаната програма се покаже върху дисплея.	Само микровълново готвене на 100% мощност	150g – 1:00 минута 300g – 1:30 минути 450g – 2:00 минути	150g – 0:50 минути 300g – 1:20 минути 450g – 1:50 минути	150g – 1:00 минута 300g – 1:30 минути 450g – 2:00 минути	150g – 0:50 минути 300g – 1:20 минути 450g – 1:50 минути
	Само микровълново готвене на 100% мощност	100g – 3:00 минути	100g – 2:00 минути	100g – 3:00 минути	100g – 2:30 минути
	Микровълново готвене при 100% мощност за 1/2 от времетраенето, след това на 0% за 1/6 от времетраенето и накрая на 100% за 1/3 от времетраенето.	200g – 8:00 минути 400g – 11:00 минути 600g – 15:00 минути 800g – 18:00 минути	200g – 6:00 минути 400g – 9:00 минути 600g – 13:00 минути 800g – 16:00 минути	200g – 8:00 минути 400g – 11:00 минути 600g – 15:00 минути 800g – 18:00 минути	200g – 6:00 минути 400g – 9:00 минути 600g – 13:00 минути 800g – 16:00 минути
При модели YC-PS204A и YC-PG204A бутон AUTO MENU трябва да бъде натиснат неколкократно, докато желаната програма се покаже върху дисплея.	Само микровълново готвене на 100% мощност	200g – 3:30 минути 300g – 4:30 минути 400g – 5:30 минути 500g – 6:30 минути 600g – 7:30 минути	200g – 3:00 минути 300g – 4:00 минути 400g – 5:00 минути 500g – 6:00 минути 600g – 7:00 минути	200g – 3:30 минути 300g – 4:30 минути 400g – 5:30 минути 500g – 6:30 минути 600g – 7:30 минути	200g – 3:00 минути 300g – 4:00 минути 400g – 5:00 минути 500g – 6:00 минути 600g – 7:00 минути
При модели YC-PS204A и YC-PG204A бутон AUTO MENU трябва да бъде натиснат неколкократно, докато желаната програма се покаже върху дисплея.	Микровълново готвене – 100%	50g – 2:00 минути 100g – 3:30 минути 150g – 5:30 минути	50g – 2:00 минути 100g – 3:30 минути 150g – 5:30 минути	50g – 2:00 минути 100g – 3:30 минути 150g – 5:30 минути	50g – 2:00 минути 100g – 3:30 минути 150g – 5:30 минути
При модел YC-PG204A бутон AUTO MENU трябва да бъде натиснат неколкократно, докато желаната програма се покаже върху дисплея.	Само микровълново готвене на 100% мощност	200g – 2:00 минути 300g – 2:40 минути 400g – 3:20 минути 500g – 4:00 минути 600g – 4:40 минути 700g – 5:20 минути 800g – 6:00 минути	200g – 1:30 минути 300g – 2:00 минути 400g – 2:30 минути 500g – 3:00 минути 600g – 3:30 минути 700g – 4:00 минути 800g – 4:30 минути	200g – 2:00 минути 300g – 2:40 минути 400g – 3:20 минути 500g – 4:00 минути 600g – 4:40 минути 700g – 5:20 минути 800g – 6:00 минути	200g – 1:30 минути 300g – 2:00 минути 400g – 2:30 минути 500g – 3:00 минути 600g – 3:30 минути 700g – 4:00 минути 800g – 4:30 минути
При модел YC-PG204A бутон AUTO MENU трябва да бъде натиснат неколкократно, докато желаната програма се покаже върху дисплея.	Микровълново готвене при 100% мощност за 10 секунди, след това готвене на грил за 23 секунди. Цикълът ще бъде изпълняван до изтичане на зададеното времетраене. Функциите за готвене с микровълни и грил никога не са активни едновременно.	300g – 2:40 минути 400g – 3:20 минути 500g – 4:00 минути 600g – 4:40 минути 700g – 5:20 минути 800g – 6:00 минути	300g – 2:00 минути 400g – 2:30 минути 500g – 3:00 минути 600g – 3:30 минути 700g – 4:00 минути 800g – 4:30 минути	200g – 15:00 минути 300g – 18:00 минути 400g – 21:00 минути 500g – 24:00 минути 600g – 27:00 минути	200g – 15:00 минути 300g – 18:00 минути 400g – 21:00 минути 500g – 24:00 минути 600g – 27:00 минути
При модел YC-PG204A бутон AUTO MENU трябва да бъде натиснат неколкократно, докато желаната програма се покаже върху дисплея.	Микровълново готвене при 100% мощност за 10 секунди, след това готвене на грил за 23 секунди. Цикълът ще бъде изпълняван до изтичане на зададеното времетраене. Функциите за готвене с микровълни и грил никога не са активни едновременно.			200g – 15:00 минути 300g – 18:00 минути 400g – 21:00 минути 500g – 24:00 минути 600g – 27:00 минути	200g – 15:00 минути 300g – 18:00 минути 400g – 21:00 минути 500g – 24:00 минути 600g – 27:00 минути
При модел YC-PG204A бутон AUTO MENU трябва да бъде натиснат неколкократно, докато желаната програма се покаже върху дисплея.	Микровълново готвене при 100% мощност за 10 секунди, след това готвене на грил за 23 секунди. Цикълът ще бъде изпълняван до изтичане на зададеното времетраене. Функциите за готвене с микровълни и грил никога не са активни едновременно.			100g – 12:00 минути 200g – 15:00 минути 300g – 18:00 минути 400g – 21:00 минути 500g – 24:00 минути	100g – 12:00 минути 200g – 15:00 минути 300g – 18:00 минути 400g – 21:00 минути 500g – 24:00 минути

АВТОМАТИЧНО РАЗМРАЗЯВАНЕ

Функцията за автоматично размразяване позволява размразяване на храна по предварително указано тегло. Времетраенето и нивото на мощност се определят автоматично, след като бъдат зададени категория и тегло на храната. Диапазонът на настройване може да бъде от 100 г до 1800 г.

1. В режим на готовност натиснете бутон **AUTO DEFROST**.
2. Завъртете **СЕЛЕКТОРА**, за да изберете тегло на храната, която желаете да бъде размразена.
3. Натиснете бутон **START/QUICK START**, за да стартирате цикъла на размразяване.
4. Ако цикълът на размразяване прекъсне, обърнете храната, за да се получи равномерно размразяване от всички страни и натиснете бутон **START/QUICK START** за довършване на програмата.
5. След завършване на цикъла на размразяване върху дисплея ще се изпише "End" (Край) и на всеки 2 минути ще прозвучава аудио сигнал, докато вратата не бъде отворена или някой от бутоните не бъде натиснат.

Работа с функцията за автоматично размразяване

Модел	Диапазон на теглото	Диапазон на времетраенето при размразяване	Размразяване	Начин на действие
YC-PG204A	100 до 1800 г	5,5 до 39,5 минути	Микровълново готвене при 40% мощност за 1/3 от времетраенето, след това на 20% за следващата 1/3 от времетраенето. Следва подканване за обръщане на храната. Останалата част от времетраенето също се изпълнява при 20% мощност.	1. Сложете замразеното ястие в съд за микровълново готвене и го покрийте с полиетиленово фолио; пробийте отвори във фолиото. 2. Поставете съда върху центъра на стъклената въртяща чиния. 3. Затворете вратата и натиснете бутон AUTO DEFROST, след което изберете теглото чрез завъртане на СЕЛЕКТОРА. 4. Натиснете бутон START/QUICK START, за да стартирате процеса на размразяване.
YC-PG204A	100 до 1800 г	5 до 39 минути		
YC-PS234A и YC-PG234A	100 до 1800г	5,5 до 39,5 минути	Микровълново размразяване при 20% мощност за половината от времетраенето; подканване за обръщане на храната. Останалата част от времетраенето също се изпълнява при 20% мощност.	5. В хода на цикъла по размразяване фурната ще спре и ще бъдете подканени да обърнете храната. 6. Отворете вратата и обърнете/разбъркайте храната. Затворете вратата. 7. Натиснете бутон START/QUICK START, за да продължите процеса на размразяване.
YC-PS254A, YC-PG254A и YC-PG284A	100 до 1800г	3 до 37 минути	Микровълново готвене при 30% мощност за 1/3 от времетраенето, след това на 20% за следващата 1/3 от времетраенето. Следва подканване за обръщане на храната. Останалата част от времетраенето също се изпълнява при 20% мощност.	8. Когато таймерът приключи отброяването, извадете храната. Проверете дали е напълно размразена.

АВТОМАТИЧНО ЗАТОПЛЯНЕ*

Фурната разполага с функция за затопляне на храна по предварително въведено тегло. Времетраенето и нивото на мощност се определят автоматично, след като бъдат зададени категория и тегло на храната. Диапазонът на настройване може да бъде от 100 г до 800 г.

1. В режим на готовност натиснете бутон **AUTO REHEAT**.
2. Завъртете **СЕЛЕКТОРА**, за да изберете теглото на храната, която желаете да бъде претоплена.

3. Натиснете бутон **START/QUICK START**.
4. След завършване на цикъла на готвене, върху дисплея ще се изпише "**End**" (Край) и на всеки две минути ще прозвучава аудио сигнал, докато вратата не бъде отворена или някой от бутоните не бъде натиснат.

* - Отнася се единствено за моделите с грил.

КУХНЕНСКИ ТАЙМЕР

Фурната разполага с таймер за обратно отброяване на времетраенето при задаване на програма.

1. В режим на готовност натиснете еднократно бутон **TIME/SET CLOCK**.
2. Завъртете **СЕЛЕКТОРА**, за да зададете желаното времетраене. Максималната възможна продължителност е 95 минути.
3. Натиснете бутон **START/QUICK START**, за да потвърдите избора си.
4. Върху дисплея ще бъде показано намалително отброяване, съгласно настроеното времетраене.
5. При достигане на нула ще прозвучи аудио сигнал.

Кухненският таймер може да бъде използван, докато фурната е в режим на готвене. За целта изпълнете стъпките, посочени по-горе, докато се изпълнява готвене. След активиране, таймерът ще бъде показан върху дисплея за 5 секунди, след което отново ще се покаже оставащото времетраене от цикъла на готвене. Ако искате да видите таймера отново, натиснете бутон **TIME/SET CLOCK** още веднъж. Кухненският таймер ще бъде показан отново за пет секунди.

- За да отмените режим **TIMER**, натиснете бутон **STOP/ECO**. Върху дисплея ще бъде показан точният час.
- Ако цикълът на готвене вече е започнал, можете да стартирате кухненския таймер, следвайки посочените по-горе стъпки.

ПЕСТЕНЕ НА ЕНЕРГИЯ

Тази функция позволява пестене на енергия, докато фурната не се използва. За да я активирате, натиснете и задръжете за 3 секунди бутон **STOP/ECO** в режим на готовност. Дисплеят ще бъде изключен, а фурната ще влезе в енергоспестяващ режим.

Функцията може да бъде отменена с натискане на произволен бутон или отваряне и затваряне на вратата.

БЕЗ ЗВУК

Аудио сигналите на фурната могат да бъдат изключени. За да активирате функция "Без звук", натиснете еднократно бутон **CHILD LOCK**. Върху дисплея за 5 секунди ще бъде изписано "oFF" (Изкл.). Докато уредът е в този режим, при натискане на бутоните няма да бъде издаван звук.

За да изключите функцията за заглушаване на звука, натиснете веднъж бутона **CHILD LOCK**, дисплеят ще покаже "on" (Вкл.) за 5 секунди, за да покаже, че звукът е включен отново.

Ако при активирана функция Без звук електрозахранването бъде прекъснато, след неговото възстановяване функцията няма да бъде активна.

ЗАКЛЮЧВАНЕ ЗА БЕЗОПАСНОСТ

Автоматична функция за предотвратяване на нежелано активиране от деца без родителски контрол. Ако в режим на готовност в рамките на 1 минута няма зададена команда, уредът автоматично ще премине в режим на Заключване за безопасност, а съответният индикатор "Loc" ще светне. Докато фурната е в това състояние, всички бутони ще бъдат неактивни. При натискане на някой от бутоните, върху дисплея в продължение на 5 секунди ще бъде показана индикация за заключване, напомняща на потребителя, че функцията е активна. За деактивиране на функцията за заключване е необходимо само да отворите и затворите вратата. След това действие цифровата клавиатура може да бъде използвана, а индикаторът за заключване ще изчезне.

ЗАКЛЮЧВАНЕ ЗА ДЕТСКА БЕЗОПАСНОСТ

За да активирате режим ЗАКЛЮЧВАНЕ ЗА ДЕТСКА БЕЗОПАСНОСТ, натиснете и задръжте бутон **CHILD LOCK** за 3 секунди. Ще прозвучи продължителен аудио сигнал, а върху дисплея ще бъде изписано "Loc". Режимът е активиран. При работа в този режим, върху дисплея ще бъде показван точният час. След натискане на някой от бутоните или отваряне на вратата, надписът "Loc" ще бъде изписван за 5 секунди.

За отмяна на функция ЗАКЛЮЧВАНЕ ЗА ДЕТСКА БЕЗОПАСНОСТ натиснете и задръжте бутон **CHILD LOCK** за 3 секунди, докато не прозвучи продължителен аудио сигнал.

ПОЧИСТВАНЕ И ПРОФИЛАКТИКА

- Преди почистване изключвайте щепсела от електрическата мрежа.
- Поддържайте вътрешността на фурната чиста. Ако забележите разсипана храна или течности по стените, тавана или пода на фурната, ги избършете с навлажнена кърпа. При силно замърсяване могат да бъдат използвани леки почистващи препарати. Избягвайте употребата на спрейове или абразивни субстанции, които могат да оставят петна или да наранят повърхността на вратата.
- Външната повърхност на фурната се почиства с влажна кърпа. За да избегнете повреди, не допускайте попадане на вода във вентилационните отвори.
- Избърсвайте редовно вратата и прозореца от двете страни, както и уплътненията и прилежащите части с мека и влажна кърпа.
- Не използвайте абразивни почистващи препарати.
- Не почиствайте с помощта на пара.
- Предпазвайте панела за управление от намокряне. Почиствайте го с мека, навлажнена кърпа, като оставяте вратата отворена, с цел да се избегне непреднамерено активиране на фурната.
- Ако забележите натрупване на пара във или около външната страна на вратата, избършете с мека кърпа. Това не означава наличие на повреда и може да се случи, когато уредът работи при условия на висока влажност.
- Дъното на въртящата чиния, поставката и съединителното звено трябва да бъдат почиствани редовно, за да бъде избегнато замърсяване и риск от възникване на волтова дъга или повреда. Избършете с лек почистващ препарат.
- Миризмите от фурната могат да бъдат отстранени с помощта на смес от чаша вода и сок и кора от лимон. Поставете разтвора в подходяща купа и активирайте микровълново готвене за 5 минути. Избършете добре и подсушете с мека кърпа.
- При повреда във вътрешното осветление потърсете помощ от центъра за обслужване на клиенти.
- Остатъците от храна трябва да бъдат почиствани редовно. В противен случай състоянието на повърхностите може да бъде увредено, което може да повлияе неблагоприятно върху експлоатационния живот на уреда и да доведе до опасни ситуации.
- При извеждане на уреда от експлоатация, не го изхвърляйте заедно с общия битов отпадък. Използваното електрическо оборудване следва да бъде изведено от експлоатация при спазване на местните закони и разпоредби.

ПОДХОДЯЩИ КУХНЕНСКИ СЪДОВЕ

1. Материалът, от който се състоят съдовете за микровълново готвене трябва да пропуска микровълните, позволявайки на енергията да преминава свободно, за да окаже термично въздействие върху храната.
2. Микровълните не могат да преминават през метал, ето защо съдове от метал или с метално покритие не трябва да бъдат използвани.
3. Не използвайте продукти от рециклирана хартия за микровълново готвене, тъй като могат да съдържат метални частици, които биха причинили дъгов разряд или пожар.
4. Препоръчително е да бъдат използвани кръгли или овални съдове, тъй като храната, която се намира в ъглите на квадратни или правоъгълни съдове, обикновено се препича.
5. Тънки ленти от алуминиево фолио могат да бъдат използвани за покриване на откритите части на храната против изгаряне. Не поставяйте прекалено много фолио и внимавайте разстоянието от повърхността на фурната да бъде поне 2,54 см.

С помощта на списъка по-долу можете да изберете правилните съдове.

Съдове за готвене	Безопасни за микровълново готвене	Грил	Коментар
Говечета	✓ / ✗	✗	Винаги следвайте инструкциите на производителя. Не надвишавайте дадените времена за затопляне. Бъдете много внимателни, защото храните могат да станат много горещи.
Китайски порцелан и керамика	✓ / ✗	✗	Порцелан, керамика, фаянс и стъклен порцелан са обикновено подходящи, освен тези с метални декорации.
Топлоустойчиво стъкло	✓	✓	Обърнете специално внимание дали конкретният съд от топлоустойчиво стъкло е подходящ за микровълново готвене.
Неустойчиво на топлина стъкло	✗	✗	
Термоустойчиви керамични съдове	✓	✓	Уверете се, че керамичните съдове не са прекалено дебели и не са с високо съдържание на минерали.
Пластмасови съдове за микровълново готвене	✓	✗	Винаги проверявайте дали пластмасовите съдове са подходящи за микровълново готвене.
Кухненска хартия	✓ / ✗	✗	Използвайте единствено кухненска хартия, която е подходяща за употреба в микровълнова фурна.
Съглени съдове, напр. Pyrex®	✓ / ✗	✓	Трябва да се внимава ако се използват фини изделия от стъкло, защото може да се счупят.
Метални съдове	✗	✓	Не е препоръчително да използвате метални съдове, когато използвате микровълнова мощност, защото това ще предизвика волтова дъга, която може да доведе до пожар.
Метална скара	✗	✓	Не е препоръчително да използвате метални съдове, когато използвате микровълнова мощност, защото това ще предизвика волтова дъга, която може да доведе до пожар.
Алуминиево фолио Съдове от фолио	✓ / ✗	✓	Малки парчета алуминиево фолио могат да бъдат използвани за покриване на храната против изгаряне. Дръжте фолиото на поне 2,54 см от стените на фурната, тъй като в противен случай има опасност от възникване на дъгов разряд. Използването на съдове от фолио, с изключение на тези, посочени от производителя, напр. Microfoil®, не е препоръчително. Моля, спазвайте указанията.
Фолио	✓	✗	Не трябва да се пипа храната и тя трябва да се пробие за да излезе парата.
Пластмаса/Полистирен, например съдове за бързо хранене	✓	✗	Трябва да се внимава защото някои съдове могат да се деформират, стопят или да се обезцветят при висока температура.
Опаковки за фризер/печене	✓	✗	Трябва да бъде продупчен, за да може парата да се отстрани. Уверете се, че опаковките са подходящи за използване в микровълнова фурна.
Хартиени чинии, чаши и кухненска хартия	✓	✗	Не използвайте пластмасови или метални връзки, защото могат да се разтопят или заискрят и да предизвикат пожар.
Сламени и дървени съдове	✓	✗	Използвайте само за затопляне или за абсорбиране на влагата. Трябва да се внимава защото прекомерното претопляне може да доведе до пожар.
Рециклирана хартия и вестници	✗	✗	Винаги наблюдавайте фурната ако използвате материали, които може да се запалят. Може да съдържа екстракти от метал, които да предизвикат запалване.



ПРЕДУПРЕЖДЕНИЕ: Ако затопляте храна в пластмасови или хартиени опаковки, наблюдавайте фурната, тъй като съществува опасност от запалване.

ЗАБЕЛЕЖКА: Не оставяйте фурната без наблюдение по време на работа.

ПРЕПОРЪКИ ЗА МИКРОВЪЛНОВО ГОТВЕНЕ

При използване на микровълни храната се приготвя по-бързо, в сравнение с конвенционалното готвене. Поради това е много важно да бъдат спазвани определени принципи, така че приготвената храна да се получи добре. Много от тях наподобяват принципи от конвенционалното готвене.



ПРЕДУПРЕЖДЕНИЕ: Течности и храни не трябва да бъдат затопляни в затворени съдове или буркани/съдове с капак, тъй като е възможно да експлодират вследствие от възникващото налягане.

БЕЛЕЖКИ И СЪВЕТИ ЗА ГОТВЕНЕ:

- Винаги наблюдавайте фурната, когато се използва.
- Уверете се, че съдовете са подходящи за употреба в микровълнова фурна.
- Използвайте само пуканки за микровълнова с препоръчаната опаковка (следвайте инструкциите на производителя). Никога не използвайте мазнина, освен определената от производителя и никога не гответе по-дълго време от указаното.



ПРЕДУПРЕЖДЕНИЕ: Ако надвишите препоръчителното времетраене на готвене или използвате прекалено високи нива на мощност, храната може да се препече, изгори или дори да се запали и да повреди фурната.

Подреждане

Разполагайте най-дебелите части от храната (напр. пилешки кълки) от външната страна на чинията. Храните, разположени от външната страна на чинията получават повече микровълнова енергия, т.е. се приготвят по-бързо от тези в средата.

Покриване

Някои храни се приготвят по-добре при микровълново готвене ако са покрити. Използвайте вентилирано термоустойчиво фолио или подходящ капак.

Пробиване

Храни с черупка, кожа или мембрана (напр. картофи, риба, пиле, наденички) трябва да бъдат пробивани на няколко различни места преди готвене или претопляне, тъй като се образува пара, натрупването на която е възможно да причини експлодиране на храната.

ЗАБЕЛЕЖКА: Яйцата (напр. на очи, пържени, твърдо сварени) не са подходящи за приготвяне с помощта на микровълнова обработка, тъй като е възможно да експлодират, дори и след приключване на готвенето.

Разбъркване, обръщане и пренареждане

За добро готвене е добре да разбърквате храната, да я обръщате и пренареждате по време на готвене. Винаги разбърквайте и пренареждайте от вън на вътре.

Престояване

Времето за престояване след приключване на готвенето е необходимо, за да може топлината в храната да се разпредели равномерно.

Характеристики на храната	
Състав	Храните, богати на мазнини или захар (напр. коледен пудинг, пайове с кайма) изискват по-малко време за приготвяне. Внимавайте да не надвишите времето, тъй като при прегряване е възможно да възникне пожар. Костите в храната служат като проводник на топлина и благодарение на тях тя се приготвя по-бързо. Бъдете внимателни за равномерното изпичане на храната.
Плътност	Плътността на храната оказва влияние върху времето, необходимо за нейното приготвяне. Леки и порести храни, като сладкиши и хляб, се изпичат по-бързо в сравнение с тежките, плътни храни, като меса и говеци.
Количество	Броят микровълни във Вашата фурна остава непроменен, независимо от количеството приготвяна храна. Ако във фурната бъде поставена повече храна, времетраенето за готвене трябва да се увеличи. Напр. за четири картофа ще бъде необходимо повече време за приготвяне, отколкото за два.
Размер	Малките храни и малките парчета се приготвят по бързо от големите, защото микровълните могат да пробият от всякъде към центъра. За правилно приготвяне направете парчетата приблизително еднакви.
Форма	Храните, които са различни по форма, като пилешки гърди или кълки, отнемат повече време за приготвяне на по-плътните си части. За равномерно изпичане, поставяйте дебелия части от външната част на съда, където ще приемат повече енергия. При микровълново готвене кръглите форми се приготвят по-равномерно от квадратните.
Температура на храната	Началната температура на храната оказва влияние върху времетраенето, необходимо за нейното приготвяне. Охладените храни биха отнели повече време за приготвяне в сравнение с тези на стайна температура. Температурата на съда не е верен индикатор за температурата на храната или напитката. Нарязвайте храните с пълнеж, напр. понички с конфитюр, за да се освободят топлината и парата.



ПРЕДУПРЕЖДЕНИЕ: Лице и ръце – при изваждане на храната или съдовете от фурната винаги използвайте ръкавици. При отваряне на вратата се отдръпвайте, за да не се изгорите от парата. При сваляне на капаци (или фолио), отваряне на пуканки и т.н., внимавайте парата да не влиза в съприкосновение с лицето и ръцете Ви.



ПРЕДУПРЕЖДЕНИЕ: Проверявайте температурата на храната и напитките и разбърквайте преди сервиране. Обръщайте специално внимание, когато поднасяте храна или напитки на бебета, деца или възрастни хора. Съдържанието на бутилки или бурканчета трябва да бъде разбъркано или разтърсено, а температурата да се провери преди консумация, за да се предотвратят изгаряния.

ПРЕПОРЪКИ ЗА РАЗМРАЗЯВАНЕ

Размразяването с помощта на микровълни е най-бързият възможен метод. Въпреки че това е елементарна процедура, е важно посочените по-долу указания да бъдат спазвани за пълно размразяване на храната.

- Отстранете всички опаковки преди размразяване
- При размразяване използвайте нива на микровълнова мощност от P-20 до P-40.
- Вж. информацията по-долу.

Пренареждане

Храните, разположени от външната страна на чинията се размразяват по-бързо, в сравнение с тези в средата. Поради тази причина е от съществено значение по време на размразяване храната да бъде пренареждана по няколко (до 4 пъти).

Премествайте опакованите в близост парчета от външната част към центъра и пренареждайте препокриващите се части.

По този начин всички части на храната ще се размразяват равномерно.

Отделяне

Възможно е при изваждане от фризера храните да са залепнали една за друга. Важно е да ги разделите възможно най-бързо по време на размразяване.

например бекон, пилешки филета.

Предпазване

Някои части на храната (напр. бутчета или крилца), които са били размразени, могат да се затоплят. За да се предотврати затопляне и евентуален процес на печене, тези места трябва да бъдат покрити с малки части фолио, което отразява микровълните.

Престояване

За достигане на пълно размразяване е необходимо храната да престои известно време.

Процесът на размразяване не приключва след изваждане на храната от микровълновата фурна. Тя трябва да бъде покрита и оставена да престои известно време, така че да се размрази и в средата.

Обръщане

От съществено значение е по време на размразяване храните да бъдат обръщани по няколко пъти.

Това е важно за постигане на пълно размразяване.

ПРЕПОРЪКИ ЗА ПРЕТОПЛЯНЕ

За претопляне на храната, следвайте препоръките и насоките по-долу, за да сте сигурни, че храната е изцяло затоплена преди сервиране.

Основни ястия

Отстранете всякакви птици или части от месо, затоплете ги отделно, виж по-долу.

Поставете по-малките парчета храна в центъра на чинията, по-големите и дебели в края. Покрийте с микровълново фолио и затоплете при мощност P-50, като разбърквате / пренареждате около средата на времетраенето.

ЗАБЕЛЕЖКА: Преди сервиране се уверявайте, че храната е затоплена добре.

Нарязано месо

Покрийте с вентилирано термоустойчиво фолио за микровълново готвене и затоплете при мощност P-60.

Разбъркайте поне веднъж, за да сте сигурни, че затоплянето е равномерно.

ЗАБЕЛЕЖКА: Преди сервиране се уверявайте, че месото е затоплено добре.

Птиче месо

Поставете по-големите парчета от порциите от външната част на съда, покрийте с вентилирано термоустойчиво фолио за микровълново готвене и затоплете при мощност P-70.

Обърнете храната около средата на времетраенето.

ЗАБЕЛЕЖКА: Преди сервиране се уверявайте, че птичето месо е затоплено добре.

Касероли

Покрийте с вентилирано термоустойчиво фолио за микровълново готвене или подходящ капак и затоплете при мощност P-50.

Бъркайте често, за да осигурите равномерно затопляне.

ЗАБЕЛЕЖКА: Преди сервиране се уверявайте, че храната е затоплена добре.

За постигане на най-добри резултати при затопляне, подбирайте подходящо ниво на мощност в съответствие с вида на храната. Така например купа със зеленчуци може да бъде затоплена при мощност P-100, докато лазанята, съдържаща съставки, които не могат да бъдат разбъркани, трябва да бъде затоплена при мощност P-40.

ЗАБЕЛЕЖКИ:

- Извадете храната от опаковки от фолио или метал преди затопляне.
- Времето за затопляне ще зависи от формата, дълбочината, количеството и температурата на храната заедно с размера, формата и материала на съда.



ПРЕДУПРЕЖДЕНИЕ: Никога не затопляйте течности в съдове с тясно гърло, защото това може да доведе до изкипяване и изгаряния.

- За да се избегне прегряване и пожар, трябва да се обръща голямо внимание при приготвяне на храни с високо съдържание на мазнини или захар, например кайма или коледен пудинг.
- Никога не затопляйте олио или мазнина за пържене, защото това може да доведе до прегряване или пожар.
- Консервираните картофи не трябва да се затоплят в микровълнова фурна. Спазвайте инструкциите на производителя, посочени върху опаковката.



ПРЕДУПРЕЖДЕНИЕ: За да бъдат избегнати изгаряния, е от съществено значение съдържанието на шишета и буркани с детски храни да бъде разклатено преди употреба, а температурата проверена.

ОТСТРАНЯВАНЕ НА НЕИЗПРАВНОСТИ

Ако имате съмнения, че фурната не функционира правилно, направете няколко прости проверки, преди да се обърнете към специализирана помощ. Възможно е това да предотврати излишни повиквания на техници. Изпълнете следната елементарна проверка:

Поставете наполовина пълна чаша с вода върху въртящата чиния и затворете вратата. Посредством прибора за управление на таймера задайте готвене за 1 минута при микровълнова мощност P-100.

1. Вътрешното осветление на фурната активира ли се по време на готвене?
2. Вентилаторът за охлаждане активира ли се? (Проверете, като поставите ръка върху вентилационните отвори).
3. След изтичане на 1 минута прозвучава ли аудио сигнал?
4. Водата в чашата гореща ли е?

В случай че отговорът на някой от въпросите по-горе е "НЕ", проверете дали фурната е включена в електрическата мрежа надлежно, както и дали прекъсвачът не е изгорял. Ако и двете обстоятелства са наред, проверете таблицата за отстраняване на неизправности по-долу.



ПРЕДУПРЕЖДЕНИЕ: Никога не изпълнявайте корекции, ремонти или модификации върху фурната самостоятелно. Извършването на всякакви ремонтни дейности е опасно, освен ако не бъде извършвано от техник, обучен от SHARP. Това е от особена важност, тъй като засяга отстраняване на панела, осигуряващ защита срещу микровълновите лъчи.

- Уплътненията на вратата възпрепятстват изтичане на микровълни, но не предоставят херметична изолация. Нормално е да виждате капчици вода, светлина, или да чувствате топъл въздух около вратата на фурната. Храните с високо съдържание на вода изпускат пара и създават конденз във вътрешността на вратата. Този конденз може да капе от фурната.
- Ремонт и модификации: Не се опитвайте да работите с фурната, ако забележите, че не функционира правилно.
- Външен капак и достъп до вътрешното осветление: Никога не сваляйте външния капак. Това е много опасно, заради частите през които протича високо напрежение, и които никога не бива да бъдат докосвани, поради вероятност от фатални последствия. Фурната не разполага с капак за достъп до вътрешното осветление. Ако крушката изгори, не се опитвайте да я смените самостоятелно, а се свържете със сервизен център, одобрен от SHARP.

ТАБЛИЦА ЗА ОТСТРАНЯВАНЕ НА НЕИЗПРАВНОСТИ

СЪМНЕНИЕ	ОТГОВОР
Наличие на въздушно течение около вратата.	Докато фурната работи, въздухът в нейната вътрешност циркулира. Уплътненията на вратата не затварят фурната херметически, така че е възможно изпускане на въздух навън.
Във фурната се образува конденз, който е възможно да прокапе от вратата.	Обикновено вътрешността на фурната е по-студена от приготвяната храна, така че парата, получена при готвенето, се полепва под формата на конденз върху по-студената повърхност. Количеството на парата зависи от съдържанието на вода в приготвяната храна. Някои храни (напр. картофи) съдържат високо количество вода. Кондензът, затворен в стъклото на вратата, трябва да изчезне до няколко часа.
Просветване или искрене от вътрешността на фурната по време на готвене.	При приближаване на метален обект до вътрешността на фурната по време на работа възниква искрене. Възможно е това да направи повърхността по-груба, но не би предизвикало повреда в самата фурна.
Искрящи картофи.	Уверете се, че всички кълнове са отстранени, а картофите са продупчени и поставени директно върху въртящата чиния в термоустойчив съд.
Когато фурната се използва самостоятелно в режим Грил, може да Ви направи впечатление, че нагревателят не изглежда включен през цялото време.	Това е така, защото нагревателите циклично се включват и изключват с цел да поддържат предварително зададената температурна стойност.
Когато грилът се използва в комбиниран режим на готвене, изглежда сякаш не е включен.	По време на готвене в комбиниран режим (микровълни и грил), фурната ще превключва двете функции. Функциите за микровълново готвене и грил няма да бъдат активни по едно и също време.
Фурната не стартира след натискане на бутон START/ QUICK START.	Проверете дали вратата е добре затворена.
Готвенето се извършва прекалено бавно.	Уверете се, че е избрано правилното ниво на мощност.
Фурната издава шум.	При включване и изключване на микровълновата енергия може да бъде издаден звук, наподобяващ леко бръмчене. Това е обичайно явление.
След като процесът на готвене е приключил, фурната издава звуци или изглежда сякаш все още работи.	След края на цикъла на готвене вентилаторът може да продължи да работи за няколко минути, за да охлади фурната. Това е напълно нормално.
Външният капак е нагорещен.	Капакът може да се нагорещи. Дръжте децата настрана.
При натискане на бутон, върху дисплея се изписва съобщение „LoC“.	При липса на активност в продължение на 30 секунди ще бъде задействан режим, при който всички бутони ще се заключат. За деактивиране на функцията за заключване е необходимо само да отворите и затворите вратата. Проверете дали функцията за заключване не е активирана.
Върху дисплея се показва съобщение „Fail“ (Неуспешно); уредът издава аудио сигнал всяка минута.	Тази грешка ще се получи ако бутоните на панела за управление бъдат натискани непрекъснато в продължение на 1 минута и повече. Прекъснете захранването от електрическата мрежа за няколко минути, след което включете отново фурната.
Фурната издава звуков сигнал на всеки 30 секунди.	Ако след като цикълът на готвене е завършен, вратата на фурната не бъде отворена, на всеки 30 секунди ще бъде издаван звуков сигнал. За да го прекратите, отворете и след това затворете отново вратата.

ПРЕДИ ДА ПОТЪРСИТЕ ПОМОЩ

Преди да потърсите помощ за ремонт и обслужване, проверете дали:

- Фурната е включена надлежно към електрическата мрежа. Ако това не е така, изключете щепсела, изчакайте 10 секунди и го включете отново.
- Някой от предпазителите не е изгорял и дали няма задействан главен прекъсвач. Ако всичко изглежда наред, включете друг уред в същия контакт, за да проверите дали работи.
- Приборите за управление на микровълнова мощност и времетраене са в правилна позиция.
- Вратата е затворена правилно, с активирана система за заключване. В противен случай уредът не функционира.

АКО НИКОЕ ОТ ОПИСАНИТЕ ОБСТОЯТЕЛСТВА НЕ РАЗРЕШИ ПРОБЛЕМА, СЕ ОБЪРНЕТЕ КЪМ КВАЛИФИЦИРАН ТЕХНИК. НЕ ОПИТВАЙТЕ ДА ПОПРАВЯТЕ ИЛИ МОДИФИЦИРАТЕ ФУРНАТА САМОСТОЯТЕЛНО.



Pozor:

Váš produkt je označený tímto symbolem. To znamená, že použité elektrické a elektronické produkty nesmí být smíšeny s běžným domácím odpadem. Pro tyto produkty existují speciální sběrná místa.



[www.sharpconsumer.com/
contact/](http://www.sharpconsumer.com/contact/)



[www.sharpconsumer.com/
support/](http://www.sharpconsumer.com/support/)



[www.sharpconsumer.com/
documents-of-conformity/](http://www.sharpconsumer.com/documents-of-conformity/)

A. Informace pro uživatele ohledně likvidace (domácnosti)

1. V Evropské unii

Pozor: Pokud chcete toto zařízení zlikvidovat, nevyhazujte ho do běžného odpadkového koše!

S použitými elektrickými a elektronickými zařízeními se musí nakládat zvlášť a v souladu s legislativou, která vyžaduje správné ošetření, opětné využití a recyklaci použitých elektrických a elektronických zařízení. Po implementaci členskými státy mohou soukromé domácnosti v státech EU bezplatně* odevzdat svá použitá elektrická a elektronická zařízení na příslušná sběrná místa.

V některých zemích* někteří maloobchodníci přijmou bezplatně váš starý produkt, pokud si zakoupíte podobný nový produkt.

*) Další podrobnosti vám sdělí orgány vaší místní samosprávy.

Pokud má vaše použité elektrické nebo elektronické zařízení baterie nebo akumulátory, zlikvidujte je předem v souladu s místními požadavky. Správnou likvidaci vašeho produktu pomůžete zajistit, že odpad projde potřebným ošetřením, opětovným využitím a recyklací, a tím se předejde potenciálním negativním vlivům na životní prostředí a zdraví člověka, které by mohla způsobit nesprávná manipulace s odpadem.

2. V jiných zemích mimo EU

Pokud chcete tento produkt zlikvidovat, kontaktujte prosím své místní orgány a informujte se na správný způsob likvidace.

Pro Švýcarsko: Použitá elektrická nebo elektronická zařízení se dají bezplatně vrátit obchodníkovi, a to i v případě, že nezakoupíte nový produkt. Další sběrná místa jsou uvedena na webové stránce www.swico.ch nebo www.sens.ch.

B. Informace o likvidaci - pro obchodní uživatele

1. V Evropské unii

Pokud se produkt používá na obchodní účely a chcete ho zlikvidovat: Kontaktujte prosím svého prodejce SHARP, který vám podá informace o navrácení produktu. Může dojít k tomu, že vám budou účtovány poplatky vycházející z navrácení a recyklace produktu. Malé produkty (a malá množství) mohou být přijaty vašimi místními sběrnými místy.

Pro Španělsko: Kontaktujte prosím zřízený sběrný systém nebo vaše místní orgány pro vrácení vašich použitých produktů.

2. V jiných zemích mimo EU

Pokud chcete tento produkt zlikvidovat, kontaktujte prosím své místní orgány a informujte se na správný způsob likvidace.

Informace o servisních službách naleznete na www.sharpconsumer.com/contact/, informace o vašich záručních právech naleznete na www.sharpconsumer.com/support/ nebo kontaktujte prodejce, u kterého jste svůj produkt zakoupili.

Prohlášení o shodě je dostupné na www.sharpconsumer.com/documents-of-conformity/

OPATŘENÍ PRO ZABRÁNĚNÍ MOŽNÉMU VYSTAVENÍ MIKROVLNNÉ ENERGII

1. Nepokoušejte se troubu provozovat s otevřenými dvířky, protože byste se mohli vystavit mikrovlnné energii. Je důležité nepokoušet se porušit nebo pozměnit bezpečnostní zámky.
2. Nevkládejte nic mezi přední část trouby a její dvířka. Dbejte, aby se na těsnících površích neusazovaly nečistoty nebo zbytky čisticích prostředků.
3. Neprovozujte troubu, pokud je poškozená. Je velmi důležité, aby se dvířka správně zavírala a nebyla poškozená. Poškozené nesmí být ani panty, západky, těsnění nebo těsnící povrchy.
4. Nepokoušejte se troubu opravovat nebo upravovat.

OBSAH

DŮLEŽITÉ BEZPEČNOSTNÍ POKYNY	3
INSTALACE.....	11
RÁDIOVÉ RUŠENÍ	12
POKYNY PRO UZEMNĚNÍ	12
TECHNICKÉ ÚDAJE	12
TROUBA A PŘÍSLUŠENSTVÍ.....	13
OVLÁDACÍ PANEL	14
PŘED POUŽITÍM TROUBY	15
NASTAVENÍ HODIN.....	15
MIKROVLNNÉ VAŘENÍ.....	16
RYCHLÝ START.....	17
GRILOVÁNÍ*	17
MIKROVLNNÁ PŘÍPRAVA + GRIL*	18
AUTOMATICKÉ MENU.....	19
AUTOMATICKÉ ROZMRAZOVÁNÍ.....	22
AUTOMATICKÝ OHŘEV*.....	22
KUCHYŇSKÝ ČASOVAČ.....	23
FUNKCE ÚSPORY ENERGIE	23
FUNKCE TICHÉHO REŽIMU	24
BEZPEČNOSTNÍ ZÁMEK.....	24
DĚTSKÝ ZÁMEK	24
ČIŠTĚNÍ A PÉČE.....	25
VHODNÉ NÁDOBÍ DO MIKROVLNNÉ TROUBY.....	26
RADY PRO MIKROVLNNÝ OHŘEV	27
RADY PRO ROZMRAZOVÁNÍ	29
RADY PRO OHŘEV.....	30
ODSTRAŇOVÁNÍ PROBLÉMŮ.....	31
NEŽ ZAVOLÁTE NA ASISTENČNÍ SLUŽBY.....	33

* - Pouze pro modely s grilem.

DŮLEŽITÉ BEZPEČNOSTNÍ POKYNY

PEČLIVĚ SI JE PŘEČTĚTE A UCHOVEJTE PRO BUDOUCÍ POUŽITÍ

Aby se zabránilo nebezpečí požáru. Mikrovlnná trouba by neměla být během provozu ponechána bez dozoru. Příliš vysoké úrovně výkonu nebo příliš dlouhá doba vaření mohou způsobit přehřátí potravin a následný požár.

Tato trouba je určena pouze k použití na pracovní desce. Není určena k zabudování do kuchyňské linky. Neumísťujte troubu do skříňky. Elektrická zásuvka musí být snadno přístupná, aby bylo možné přístroj v případě nouze snadno odpojit.

Střídavý proud musí být 230–240 V, 50 Hz, s minimální pojistkou distribuční linky 10 A nebo s minimálním jističem distribuční linky 10 A. K dispozici by měl být samostatný obvod, sloužící pouze tomuto zařízení.

Nepokládejte troubu do míst, kde se tvoří teplo, například do blízkosti klasické trouby.

Neinstalujte troubu v místech s vysokou vlhkostí nebo tam, kde by se mohla vlhkost koncentrovat. Neskladujte ani nepoužívejte troubu ve venkovním prostředí.

Pokud si všimnete kouře, vypněte nebo odpojte troubu a nechte dveře uzavřené, abyste potlačili případné plameny.

Používejte pouze nádoby a kuchyňské náčiní vhodné do mikrovlnné trouby.

Kuchyňské náčiní je třeba zkontrolovat, abyste si byli jistí, že se hodí pro použití v mikrovlnných troubách.

Při ohřevu jídla v plastových nebo papírových nádobách sledujte troubu z důvodu možnosti vznícení.

Po použití vyčistěte kryt vlnovodu a vnitřní prostor trouby. Obojí musí být suché a bez mastnoty.

Nahromaděná mastnota se může přehřát a začít doutnat nebo se vznítit.

V blízkosti trouby nebo větracích otvorů neumísťujte hořlavé materiály. Neblokujte větrací otvory.

Z jídla a jeho obalu odstraňte všechny kovové uzávěry, drátěné součásti atd. Vytvoření elektrického oblouku na kovových površích může způsobit požár.

Nepoužívejte mikrovlnnou troubu na ohřev oleje pro fritování. Teplota se nedá kontrolovat a olej může vzplanout.

Na výrobu pražené kukuřice používejte pouze speciální mikrovlnné zařízení na výrobu pražené kukuřice.

Uvnitř trouby neskladujte jídlo ani žádné jiné věci.

Po spuštění trouby zkontrolujte nastavení, abyste se ujistili, že trouba pracuje v požadovaném režimu.

Když je trouba v chodu, nenechávejte ji bez dozoru.

Aby nedošlo k přehřátí a požáru, je třeba dbát zvláštní opatrnosti při vaření nebo ohřívání potravin s vysokým obsahem cukru nebo tuku, např. klobásy, koláče nebo vánoční pudink. Viz příslušné pokyny v návodu k použití.

Aby se předešlo riziku zranění. VAROVÁNÍ:

Nepoužívejte troubu, pokud je poškozena nebo nefunguje správně. Před použitím zkontrolujte následující:

- a) Ujistěte se, že se správně dovírají a že nejsou zkřivená nebo ohnutá.
- b) Zkontrolujte, že panty nebo bezpečnostní západky dvířek nejsou rozbité nebo uvolněné.
- c) Přesvědčte se, že těsnění dvířek a těsnicí povrchy nejsou poškozeny.
- d) Přesvědčte se, že ve vnitřním prostoru trouby nebo na dvířkách nejsou promáčkliny.

e) Přesvědčte se, že elektrický kabel a zástrčka nejsou poškozeny.

Pokud jsou dveře nebo těsnění dveří poškozeny, trouba se nesmí používat, dokud nebude opravena kvalifikovanou osobou.

Nikdy sami troubu neupravujte, neopravujte ani nepřestavujte. Je nebezpečné pro každou nekvalifikovanou osobu provádět jakýkoli servis nebo opravu, která vyžaduje odstranění krytu chránícího před vystavením mikrovlnné energii.

Troubu neobsluhujte jsou-li dveře otevřené ani jakýmkoli způsobem neupravujte bezpečnostní západku dveří. Troubu neobsluhujte, jsou-li mezi těsněním dveří a těsněním povrchu jakékoli předměty.

Nedovolte, aby se mastnota a nečistoty usadili na těsnění dvířek a přilehlých částech. Pravidelně troubu čistěte a odstraňujte veškeré zbytky jídla.

Dbejte pokynů pro „Péči a čištění“. Pokud nebudete udržovat troubu čistotou, může to vést ke zhoršení stavu povrchu, což následně může mít vliv na životnost spotřebiče a případně mít za následek nebezpečnou situaci.

Osoby s KARDIOSTIMULÁTOREM by se měly poradit se svým lékařem nebo výrobcem kardiostimulátoru o preventivních opářeních týkajících se mikrovlnných trub.

Aby se předešlo riziku zásahu elektřinou.

- Za žádných okolností byste neměli odstraňovat vnější skříňku.
- Nikdy nenalévejte nebo nevkládejte nic do otvorů zámků dveří nebo do ventilačních otvorů. V případě rozlití troubu okamžitě vypněte a odpojte a zavolejte autorizovaného servisního agenta SHARP.

- Nevkládejte elektrický kabel nebo zástrčku do vody nebo jiné tekutiny.
- Nenechte elektrický kabel viset přes hranu stolu nebo pracovního povrchu.
- Udržujte elektrický kabel mimo horkých povrchů, včetně zadní části trouby.
- Zařízení a jeho kabel uchovejte mimo dosah dětí mladších 8 let.
- Nepokoušejte se sami vyměnit lampu trouby nebo nechat kohokoliv, kdo není elektrikář autorizovaný společností SHARP, aby to udělal. Když lampička selže, oznamte to svému prodejci nebo autorizovanému servisnímu agentovi SHARP.
- Pokud je napájecí kabel poškozený, musí jej vyměnit autorizovaný servis společnosti SHARP.

UPOZORNĚNÍ: Kapaliny a jiné potraviny se nesmí ohřívat v uzavřených nádobách, protože hrozí jejich výbuch. Mikrovlnný ohřev nápojů může mít za následek opožděný eruptivní var; proto je třeba při manipulaci s nádobou dbát zvýšené opatrnosti. Aby se zabránilo možnosti výbuchu a náhlého varu:

Nikdy nepoužívejte uzavřené nádoby. Před použitím odstraňte těsnění a víčka. Zapečetěné nádoby mohou explodovat v důsledku nárůstu tlaku i po vypnutí trouby. Při ohřevu tekutin v mikrovlnné troubě buďte opatrní. Používejte nádoby se širokým hrdlem, aby mohly unikat bubliny.

Nikdy neohřívejte tekutiny v nádobách s úzkým hrdlem, jako jsou kojenecké láhve, protože to může mít za následek vzkypění obsahu nádoby při ohřevu a způsobit popáleniny.

Aby se předešlo náhlému vzkypění vřelé tekutiny a možným popáleninám:

1. Neohřívejte nadměrně dlouhou dobu.

2. Před ohřevem nebo přihrátím tekutinu zamíchejte.
3. Při ohřívání je vhodné vložit do kapaliny skleněnou nebo podobnou tyčinku (ne kovovou).
4. Abyste předešli opožděnému výbušnému vaření, nechte tekutinu po ukončení varu stát v troubě minimálně 20 vteřin.

Vejte nevařte ve skořápce a celá vejce natvrdo by se neměla ohřívát v mikrovlnné troubě, protože mohou explodovat i po ukončení vaření v mikrovlnné troubě. Chcete-li vařit nebo ohřívát vejce, která nebyla míchaná nebo rozmixovaná, propíchněte žloutky a bílky. Vejce uvařená natvrdo před ohříváním v mikrovlnné troubě oloupejte a nakrájejte.

Propíchněte slupky takových jídel, jako jsou brambory, párky a ovoce, ještě před varem, jinak mohou explodovat.

VAROVÁNÍ: Obsah lahví na krmení a sklenic s dětskou výživou je třeba před konzumací promíchat nebo protřepat a zkontrolovat teplotu, aby nedošlo k popálení. Při vyjímání potravin z trouby používejte chňapky nebo kuchyňské rukavice, abyste předešli popáleninám. Abyste předešli možnosti popálení:

- Nádoby, zařízení na výrobu pražené kukuřice, varné sáčky do trouby atd., otvírejte vždy směrem od tváře a rukou, abyste předešli popálení párou a vzkypění varem. Abyste předešli popáleninám, vždy sledujte teplotu jídla a před podáváním ho promíchejte. Kladte zvláštní důraz na teplotu jídla a pití, které dáváte kojencům, dětem nebo starým lidem. Během použití se mohou dostupné části stát horkými. Malé děti by měly být udržovány mimo dosah.
- Teplota nádoby není správnou indikací teploty jídla nebo nápoje; vždy zkontrolujte teplotu jídla.
- Při otevírání dveří trouby vždy stůjte v jisté vzdálenosti,

abyste předešli popálení unikající párou a horkem.

- Po ohřátí nakrájejte plněná pečená jídla na plátky, abyste uvolnili páru a předešli popálení.
- Udržujte děti ve vzdálenosti od dveří, abyste předešli jejich popálení.

VAROVÁNÍ: Dětem od 8 let věku dovolte používat troubu bez dozoru pouze tehdy, pokud jim byly poskytnuty odpovídající pokyny, aby byly schopny troubu používat bezpečným způsobem a pochopily nebezpečí jejího nesprávného používání.

Pokud je spotřebič provozován v režimu GRIL, MIX GRIL, KONVEKCE, MIX KONVEKCE a AUTO MENU (režim platný pro daný model), měly by děti používat troubu pouze pod dohledem dospělé osoby, a to kvůli vznikající teplotě.

Tento spotřebič není určen k používání osobami (včetně dětí) se sníženými fyzickými, smyslovými nebo mentálními schopnostmi, nebo nedostatkem zkušeností a znalostí, pokud na ně nedohlíží osoba zodpovědná za jejich bezpečnost, nebo pokud jim tato osoba nedala pokyny ohledně používání.

Děti by měly být pod dohledem, aby si se spotřebičem nehrály. Čištění prováděné dětmi by mělo být pod dohledem.

Modely s elektronickým dotykovým panelem jsou vybaveny režimem dětské pojistky.

Neopírejte se ani se nehoupejte na dveřích trouby. S troubou si nehrajte, ani ji nepoužívejte jako hračku.

Děti by se měly naučit všechny důležité bezpečnostní pokyny: použití chňapek, bezpečné odstraňování víček z jídel; dávat zvláštní pozor na balení (např. samoohřevné materiály) určené na to, aby jídlo bylo křupavé, protože by mohly být zvlášť horké.

Další upozornění

Nikdy troubu nijak neupravujte.

Troubou nepohybujte, když pracuje.

Tento spotřebič je určen pro použití v domácnosti. Tato trouba je určena pro přípravu pokrmů v domácnosti a smí se používat pouze k přípravě pokrmů a nápojů. Sušení potravin nebo oděvů a ohřívání nahřívacích polštářků, pantoflí, houbiček, vlhkých látek a podobně může vést k nebezpečí poranění, vznícení nebo požáru. Není vhodný pro komerční nebo laboratorní použití.

Aby se podpořilo bezproblémové použití vaší trouby a předešlo poškození.

Nikdy nespouštějte troubu, když je prázdná. Při používání zapékací nádoby nebo samoohřevných materiálů pod ně musíte vždy umístit teplovzdorný izolační prvek, například porcelánový talíř, aby přílišné působení tepla nepoškodilo dno trouby. Doba ohřevu uvedená v pokynech k nádobám nesmí být překročena.

Nepoužívejte kovové nádoby, které odráží mikrovlny a může způsobit elektrický oblouk. Do trouby nedávejte plechovky.

Aby nedošlo k rozbití otočného talíře nebo základny trouby:

- a) Před čištěním vodou nechte vychladnout.
- b) Na studený otočný talíř/podstavec trouby nepokládejte horké ani studené potraviny nebo horké nádoby.
- c) Během provozu na vnější skříňku nic nepokládejte.

POZNÁMKA:

Nepoužívejte plastové nádoby pro mikrovlnný ohřev, pokud je trouba ještě horká po použití kombinovaného režimu (závisí na modelu trouby), protože by se mohly roztavit.

Plastové nádoby se nesmí používat ve výše uvedených

režimech, pokud výrobce neprohlásí, že jsou vhodné k tomuto účelu.

Pokud si nejste jisti, jak vaši troubu zapojit, poradte se, prosím, s autorizovaným kvalifikovaným elektrikářem.

Výrobce ani prodejce nenesou odpovědnost za poškození trouby nebo úrazy způsobené nesprávným postupem při zapojení trouby.

Na stěnách trouby nebo kolem těsnění dveří a těsnicích povrchů se někdy může tvořit vodní pára nebo kapky. Je to běžný jev a není znakem propouštění trouby nebo poruchy.

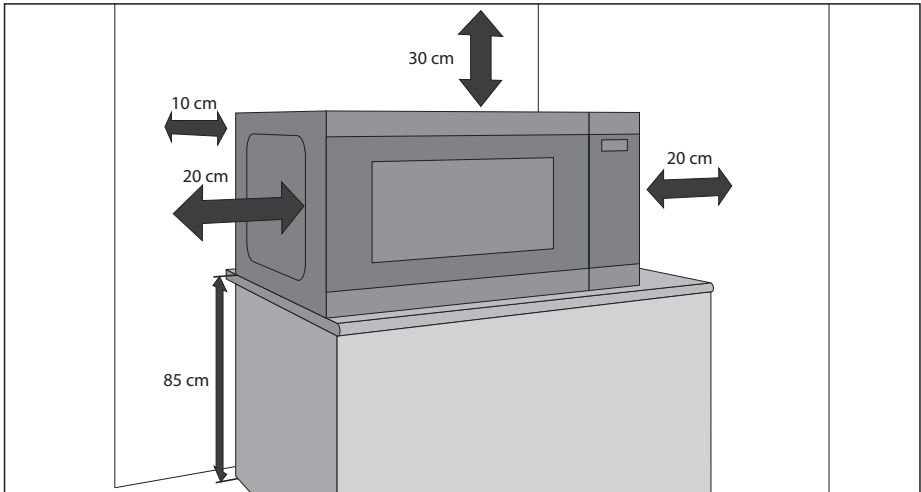
Tento spotřebič je určen pro použití v domácnostech a podobných zařízeních, jako jsou: kuchyňské prostory vyhrazené pro zaměstnance v obchodech, kancelářích a jiných profesionálních zařízeních / farmy / použití klienty hotelů, motelů a jiných zařízeních rezidenčního typu / zařízení typu penzion.



Tento symbol znamená, že povrchy mají tendenci stát se během činnosti horkými.

INSTALACE

1. Z vnitřní části trouby odstraňte veškeré obaly a sejměte ochranný film, který se nachází na povrchu mikrovlnné trouby.
 2. Pozorně prohlédněte troubu, jestli není poškozena.
 3. Umístěte troubu na bezpečný rovný povrch, dostatečně pevný, aby odolal hmotnosti trouby a nejtěžší položky, která se pravděpodobně bude tepelně upravovat v troubě. Nedávejte troubu do skříňky.
 4. Zvolte vodorovný povrch, který poskytuje dostatek volného prostoru pro nasávací a/nebo výpustní větrací otvory. Vizte obrázek na první straně. Zadní strana přístroje by měla být umístěna proti zdi.
- Minimální výška pro instalaci je 85 cm.
 - Mezi stranami trouby a přilehlými stěnami nebo předměty je nutné zachovat minimální prostor 20 cm.
 - Nechejte nad troubou prostor minimálně 30 cm.
 - Neodstraňujte ze dna trouby patky.
 - Zablokování vstupních a výstupních otvorů pro vzduch může troubu poškodit.
 - Umístěte troubu co nejdále od rozhlasových a televizních přijímačů. Provoz mikrovlnné trouby může způsobit rušení příjmu rozhlasového a televizního signálu.



5. Bezpečně zapojte zástrčku trouby do standardní uzemněné domácí elektrické zásuvky.

VAROVÁNÍ:

Neumísťujte troubu do míst, kde je generováno teplo a vysoká vlhkost (např. do blízkosti klasické trouby nebo nad ni) nebo blízko od hořlavých materiálů (např. záclon).

Neblokujte ani neucpávejte ventilační otvory.

Na troubu nedávejte žádné předměty.

Nedotýkejte se vnějších částí mikrovlnné trouby během jejího provozu nebo krátce po něm, protože mohou být horké.

RÁDIOVÉ RUŠENÍ

Provoz mikrovlnné trouby může způsobit rušení rádia, televize nebo podobných zařízení. Pokud k rušení dojde, můžete ho zredukovat nebo odstranit provedením následujících opatření:

1. Očistěte dvířka a vnitřní část v místě, kde se setkávají.
2. Změňte směr, kterým míří přijímací anténa rádia nebo televize.
3. Přemístěte mikrovlnnou troubu s ohledem na přijímač.
4. Zapojte mikrovlnnou troubu do jiné zásuvky, aby nebyla trouba a na stejném okruhu jako přijímač.

POKYNY PRO UZEMNĚNÍ

Tento spotřebič musí být uzemněný. Tato trouba je vybavena kabelem se zemnicím drátem se zemnicí zástrčkou. Ta musí být zastrčena do zásuvky ve stěně a tato zásuvka musí být řádně nainstalovaná a uzemněná. V případě zkratu snižuje uzemnění riziko zásahu elektrickým proudem, protože proud je odveden únikovým drátem. Doporučujeme, aby byla trouba zapojená do samostatného okruhu.



UPOZORNĚNÍ: Nesprávné použití zemnicí zástrčky může vést k zásahu elektrickým proudem.

POZNÁMKA:

1. Pokud máte jakékoli otázky ohledně uzemnění nebo pokynů k elektřině, poraďte se s kvalifikovaným elektrikářem nebo servisním pracovníkem.
2. Výrobce ani prodejce nenesou odpovědnost za poškození trouby nebo úrazy způsobené nedodržením postupů pro elektroinstalaci.

Napájecí kabel použitý pro tuto mikrovlnnou troubu používá následující barevné kódování drátů:

Zelená a žlutá = ZEMNĚNÍ

Modrá = NEUTRÁLNÍ

Hnědá = ŽIVÝ

TECHNICKÉ ÚDAJE

Název modelu:	YC-PS204A	YC-PS234A	YC-PS254A	YC-PG204A	YC-PG234A	YC-PG254A	YC-PG284A
Střídavé napětí	230–240 V, 50 Hz, jedna fáze						
Pojistka/jistič přenosného vedení	10 A						
Výkon:	Mikrovlny	700 W	900 W	900 W	700 W	900 W	900 W
	Gril				900 W	1000 W	1000 W
	Režim „Vypnuto“	<0,5 W					
	Energeticky úsporný režim	>0,5 W					
	Potřebné střídavé napětí	1200 W	1400 W	1400 W	1400 W	1400 W	1400 W
Mikrovlnná frekvence	2450 MHz*						
Vnější rozměry (š) x (v) x (h) mm	455 x 274 x 334	483 x 281 x 377	483 x 281 x 403	455 x 274 x 345	483 x 281 x 395	483 x 281 x 403	539 x 309 x 441
Rozměry vnitřního prostoru (š) x (v) x (h)** mm	315 x 198 x 297	340 x 220 x 320	340 x 220 x 344	315 x 198 x 297	340 x 220 x 320	340 x 220 x 344	354 x 220 x 358
Objem trouby	20 litrů**	23 litrů**	25 litrů**	20 litrů**	25 litrů**	25 litrů**	28 litrů**
Průměr otočného taliře	245 mm	270 mm	270 mm	245 mm	270 mm	270 mm	325 mm
Velikost grilovacího roštu (š) x (H) mm				190 x 79	80 x 208	80 x 208	89 x 285
Hmotnost	cca 10,5 kg	cca 12,9 kg	cca 13,5 kg	cca 10,9 kg	cca 13,9 kg	cca 13,7 kg	cca 16,6 kg
Osvětlení trouby (typu LED)	1,5 W						

* - Tento výrobek splňuje požadavky evropské normy EN55011. V souladu s touto normou je tento výrobek klasifikován jako zařízení skupiny 2, třídy B. Skupina 2 znamená, že zařízení záměrně generuje radiofrekvenční energii ve formě elektromagnetického záření pro tepelné zpracování potravin.

Zařízení třídy B znamená, že zařízení je vhodné používat v prostředí domácností.

** - Vnitřní objem je vypočten odměřením maximální šířky, hloubky a výšky. Skutečný objem pro uložení jídla je menší.

JAKO SOUČÁST POLITIKY NEUSTÁLÉHO ZLEPŠOVÁNÍ SI VYHRAZUJEME PRÁVO NA ÚPRAVY DESIGNU A TECHNICKÝCH ÚDAJŮ BEZ PŘEDCHOZÍHO UPOZORNĚNÍ.

TROUBA A PŘÍSLUŠENSTVÍ

1. Bezpečnostní systém zamykání dveří
2. Průhled do trouby
3. Kruh otočného talíře
4. Spojka otočného talíře
5. Ovládací kolečko a ovládací tlačítka
6. Kryt vlnovodu (neodstraňujte)
7. Skleněný talíř
8. Grilovací rošt pro YC-PG204A, YC-PG234A, YC-PG254A a YC-PG284A
9. Ventilační otvory
10. Vnější skříňka
11. Síťová šňůra

Zkontrolujte, zda bylo dodáno následující příslušenství:

Pouze trouby s grilem:

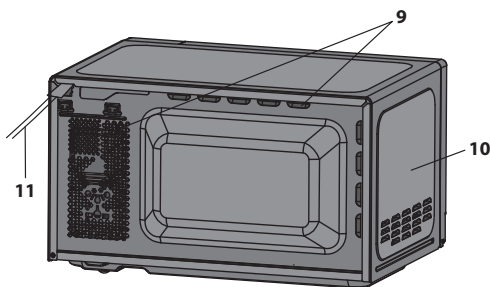
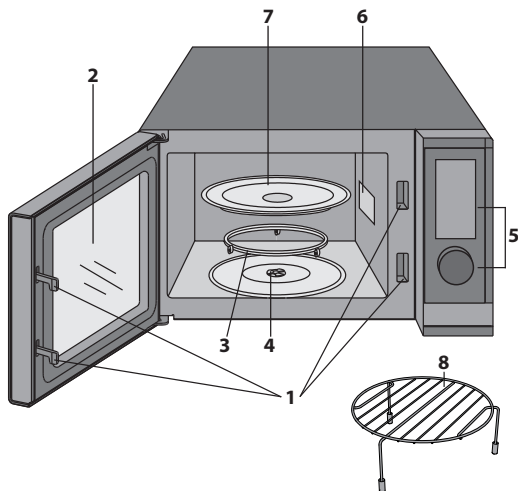
- **Grilovací rošt** – pouze pro použití při přípravě jídla pomocí funkce grilování.
- Grilovací rošt je určen pouze pro použití v troubě s grilem. Nepoužívejte rošt, pokud chcete použít pouze funkci mikrovln.
- Pokyny k použití grilovacího roštu naleznete v sekci GRIL v tomto návodu.

Nedotýkejte se grilu, když je horký.

POZNÁMKA: Při objednávce příslušenství uveďte prosím dvě položky: číslo součástky a název modelu.

POZNÁMKY:

- Po vaření tučných jídel bez krytu vždy důkladně vyčistěte vnitřní prostor trouby, aby byla suchá a zbavená mastnoty. Usazená mastnota se může přehřát a způsobit vznik kouře nebo vzplanout.
- Při přípravě pomocí mikrovln vždy dejte nádobu na otočný talíř.
- **NEPOUŽÍVEJTE** grilovací rošt při přípravě pouze pomocí mikrovln.



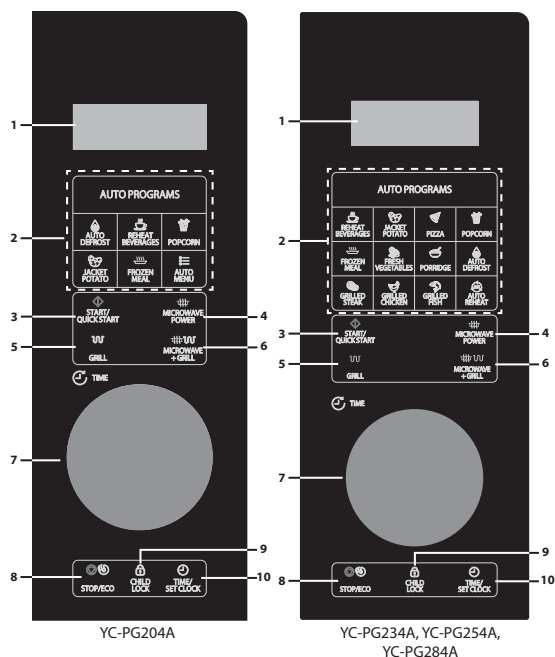
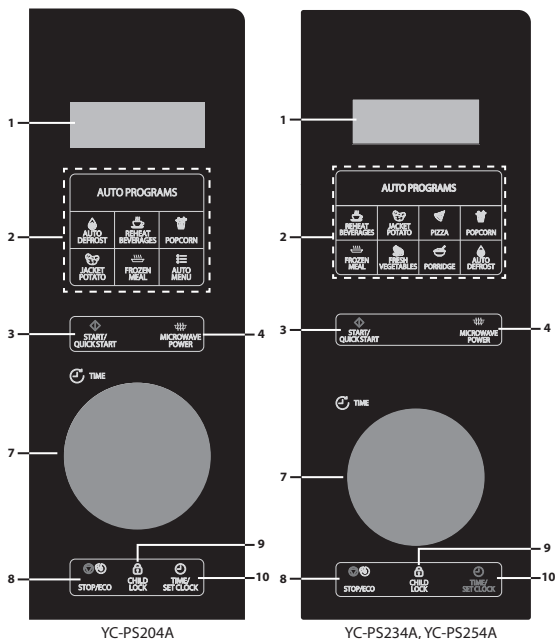
UPOZORNĚNÍ:



Tento symbol znamená, že povrchy mají tendenci stát se během chodu zahřívát. Během chodu se dveře, vnější skříňka, prostor trouby, příslušenství a nádoby výrazně zahřejí. Abyste předešli popálení, vždy používejte silné kuchyňské rukavice.

OVLÁDACÍ PANEĽ

- 1. DIGITÁLNI DISPLEJ** – zobrazuje dĺžku vaření, výkon, kontrolky a aktuální čas.
- 2. Tlačítka AUTOMATICKÉHO MENU** – stisknutím zvolíte menu automatického vaření. (Bližší návod k použití naleznete na str. 19).
- 3. START/QUICK START (START/RÝCHLÝ START)** – (Strana 17).
- 4. MICROWAVE POWER (MIKROVLNNÝ VÝKON)** – stisknutím zvolíte stupeň mikrovlnného výkonu. (Strana 16).
- 5. GRILL (GRIL)** – stisknutím nastavíte program pro grilování. (Strana 17).
- 6. MICROWAVE+GRILL (MIKROVLNNÝ + GRIL)** – stisknutím nastavíte program kombinované přípravy jídla pomocí mikrovln a grilu. (Strana 18).
- 7. OVLÁDACÍ KOLEČKO** – otáčením po a proti směru hodinových ručiček nastavíte různé funkce.
- 8. STOP/ECO (STOP/EKO)** – jedním stisknutím dočasně pozastavíte vaření, dvojitým stisknutím zcela zrušíte vaření. Použijte k nastavení režimu úspory energie. (Strana 23).
- 9. CHILD LOCK (DĚTSKÝ ZÁMEK)** – (Strana 24).
- 10. TIME/SET CLOCK (HODINY/ČASOVAČ)** – použijte k nastavení aktuálního času. Použijte k nastavení funkce časovače (Strana 15).



PŘED POUŽITÍM TROUBY

Po prvním zapojení trouby do sítě se ozve pípnutí a na displeji se objeví „1:00“. Nastavení času není pro správné fungování mikrovlnné trouby nutné. Pokud budete chtít nastavit aktuální čas, postupujte podle pokynů v sekci „Nastavení hodin“ v tomto návodu k použití.

Při prvním použití grilu vzniká kouř a zápach. Abyste předešli kouři a zápachu při přípravě jídla, zapněte funkci grilu nejprve asi na 20 minut naprázdno bez jídla.

- Po otevření a zavření dvířek vstoupí trouba do pohotovostního režimu. Pokud do 1 minuty nestisknete žádná tlačítka, zůstane displej zapnutý a tlačítka nebudou funkční. Pro opětovné vstoupení do pohotovostního režimu otevřete a zavřete dvířka.
- Pokud během přípravy jídla stisknete jednou tlačítko **STOP/EKO**, cyklus přípravy jídla se pozastaví. Pro opětovné spuštění procesu stisknete tlačítko **START/RYCHLÝ START**. Pokud stisknete tlačítko **STOP/EKO** dvakrát, příprava jídla se zruší.
- Pokud provádíte nastavování trouby na určitou funkci a mezi stisknutím tlačítek dojde k prodlevě delší než 30 vteřin, vstoupí trouba do pohotovostního režimu.
- Když cyklus přípravy jídla skončí, zobrazí se na displeji „End“ (Konec) a každé dvě minuty se bude ozývat tón až do okamžiku, než stisknete nějaké tlačítko nebo otevřete dvířka.

NASTAVENÍ HODIN

Tato trouba má hodiny, které můžete použít buď ve 12hodinovém nebo 24hodinovém režimu. Aktuální čas nastavte na hodinách následovně:

1. V pohotovostním režimu stisknete tlačítko **ČAS/NASTAVENÍ HODIN** a podržte ho alespoň 3 vteřiny. Tím vstoupíte do režimu nastavení hodin.
 2. Stisknutím tlačítka **ČAS/NASTAVENÍ HODIN** zvolte 12hodinový nebo 24hodinový režim.
 3. Otáčejte **OVLÁDACÍM KOLEČKEM** a nastavte hodiny. Stisknutím tlačítka **ČAS/NASTAVENÍ HODIN** údaj potvrdíte.
 4. Otáčejte **OVLÁDACÍM KOLEČKEM** a nastavte minuty. Stisknutím tlačítka **ČAS/NASTAVENÍ HODIN** údaj potvrdíte a odejdete z režimu nastavení hodin.
- Aby trouba normálně fungovala, není nastavení hodin nutné.
 - V režimu vaření si stisknutím tlačítka **ČAS/NASTAVENÍ HODIN** můžete zobrazit aktuální čas (pokud ho máte nastavený). Aktuální čas se po pěti vteřinách změní zpět na odpočet doby přípravy jídla. Aktuální čas nelze zobrazit, pokud máte nastavenou kuchyňskou minutku.

MIKROVLNNÉ VAŘENÍ

Pro použití funkce mikrovln postupujte následovně:

1. V pohotovostním režimu stisknutím tlačítka **MIKROVLNNÝ VÝKON** zvolte stupeň výkonu. Při každém stisknutí tlačítka se na displeji zobrazí stupeň mikrovlnného výkonu.
2. Až nastavíte požadovaný stupeň mikrovlnného výkonu, otáčením **OVLÁDACÍM KOLEČEM** zvolte délku vaření.
3. Zmáčknutím tlačítka **START/RYCHLÝ START** spustíte vaření.
4. Když cyklus přípravy jídla skončí, zobrazí se na displeji „End“ (Konec) a každé dvě minuty se bude ozývat tón až do okamžiku, než stisknete nějaké tlačítko nebo otevřete dvířka.

Níže uvedená tabulka je orientační. Vaše trouba má 10 stupňů mikrovlnného výkonu. Je to 10%, 20%, 30%, 40%, 50%, 60%, 70%, 80%, 90% a 100 %. Skutečný výkon lze vypočítat vynásobením mikrovlnného výkonu a procentuálního údaje.

Průvodce pro mikrovlnný ohřev:

Displej	Mikrovlnný výkon	Navrhované použití
P100	100 %	Toto nastavení použijte k vaření nebo ohřevu např. dušeného masa se zeleninou, teplých nápojů, zeleniny, atd.
P-80	80 %	Pro hustá jídla, která vyžadují při běžném způsobu přípravy delší dobu vaření, např. jídla s hovězím masem. Doporučujeme použít, pokud chcete, aby bylo maso měkké.
P-60	60 %	Použijte pro delší přípravu hustých jídel, jako jsou pečená kolena, sekaná nebo jídla na talíři, a také na citlivá jídla, jako je sýrová omáčka nebo piškotový koláč.
P-40	40 %	Nastavení na rozmrazování; zvolte toto nastavení výkonu, aby se jídlo rozmrazilo rovnoměrně. Toto nastavení je ideální i pro vaření rýže, těstovin, knedlíků a pro přípravu vaječného krému.
P-20	20 %	Pro šetrné rozmrazování např. dortových krémů nebo cukroví.

- Během přípravy jídla můžete zkontrolovat stupeň výkonu stisknutím a podržením tlačítka **MIKROVLNNÝ VÝKON**.
- Nejdelší doba vaření je 95 minut.

RYCHLÝ START

Pokud potřebujete připravit jídla na 100 % výkonu, jednoduše stiskněte tlačítko **START/RYCHLÝ START** na **OVLÁDACÍM KOLEČKU**, když je trouba v pohotovostním režimu. Každé stisknutí tlačítka **START/RYCHLÝ START** prodlouží dobu přípravy od 30 vteřin.

GRILOVÁNÍ*

Topné těleso grilu na horní straně vnitřní části trouby má pouze jeden výkonnostní stupeň, je výkonná a ekonomická. Gril je ideální pro přípravu slaniny, vepřové kýty, rybích prstů a čajových koláčků.

Grilovací rošt použijte pro grilování menších kusů jídla, jako je slanina nebo párky. V polovině vaření jídlo otočte. Jídlo můžete dát přímo na rošt nebo do zapékací nádoby či na talíř odolný vůči vysokým teplotám. Pod grilovací rošt vždy umístěte vhodný tácek, aby na něj mohl odkapávat tuk nebo olej z připravovaného jídla.

Pokud chcete v zapékací míse připravit jídlo tak, aby mělo zlatavý a křupavý povrch, můžete zapékací nádobu umístit na grilovací rošt. Nádoba ale musí být mělká. Doporučujeme spíše umístit takovou nádobu přímo na otočný talíř, aby bylo jídlo správně zlatavé a křupavé. Grilovací rošt není možné použít pro grilování.

Pro použití funkce grilu postupujte následovně:

1. V pohotovostním režimu stisknutím tlačítka **GRIL** zvolte funkci grilování. Na displeji se zobrazí „Gril“
2. Otáčejte **OVLÁDACÍM KOLEČKEM** a zvolte délku přípravy jídla.
3. Zmáčknutím tlačítka **START/RYCHLÝ START** spustíte vaření.
4. Když cyklus přípravy jídla skončí, zobrazí se na displeji „End“ (Konec) a každé 2 minuty se bude ozývat tón až do okamžiku, než stisknete nějaké tlačítko nebo otevřete dvířka.

* - Pouze pro modely s grilem.

MIKROVLNNÁ PŘÍPRAVA + GRIL*

Použití mikrovlnné funkce a grilu je možné pro rychlou přípravu jídla se zlatavým povrchem. Pro použití mikrovlnné funkce společně s grilem postupujte následovně:

1. V pohotovostním režimu stiskněte jednou nebo dvakrát tlačítko **MIKROVLNLY + GRIL** a zvolte funkci „CO-1“ nebo „CO-2“.
2. Otáčejte **OVLÁDACÍM KOLEČKEM** a zvolte délku přípravy jídla.
3. Stisknutím tlačítka **START/RYCHLÝ START** spustíte přípravu jídla.
4. Když cyklus přípravy jídla skončí, zobrazí se na displeji „End“ (Konec) a každé dvě minuty se bude ozývat tón až do okamžiku, než stisknete nějaké tlačítko nebo otevřete dvířka.

Funkce mikrovln + grilu

Displej	Výstup	Navrhované použití
Co-1	70 % gril / 30 % mikrovlny	Kousky kuřete, kuřecí prsa, vepřové plátky
Co-2	56 % gril / 44 % mikrovlny	Celé kuře

- Maximální doba přípravy jídla pomocí grilu je 95 minut.
- Během grilování otevřete okna nebo zapněte kuchyňskou digestoř, aby se rozptýlil kouř a zápach. Toto je normální jev a nejde o poruchu trouby.
- Během přípravy jídla můžete zkontrolovat aktuální kombinovaný výkon stisknutím tlačítka **MIKROVLNLY + GRILL**.
- Gril se v režimu grilování bude pravidelně vypínat a zapínat, aby se předešlo přehřátí.
- Při používání funkce **MIKROVLNLY + GRIL** můžete jídlo umístit ve vhodné nádobě přímo na otočný talíř anebo na grilovací rošt.

VAROVÁNÍ: Během činnosti se dveře, vnější skříňka, prostor trouby, příslušenství a nádobí rozežehřejí na velmi vysokou teplotu. Abyste předešli popálení, vždy používejte silné kuchyňské rukavice.

* - Pouze pro modely s grilem.

AUTOMATICKÉ MENU

Aby bylo vaření snadné, umožňují automatické programy připravit jídlo rychle a efektivně stisknutím několika málo tlačítek. Není potřeba nastavovat délku přípravy a výkon, stačí jen stisknout tlačítko automatické přípravy, zadat hmotnost otočením **OVLÁDACÍHO KOLEČKA** a stisknout tlačítko **START/RYCHLÝ START**.

Pokud například chcete připravit dvě brambory pečené ve slupce:

1. Otevřete dvířka trouby a dejte do ní nádobu vhodnou pro tuto přípravu.
2. Zavřete dvířka.
3. Stiskněte jednou tlačítko **PEČENÁ BRAMBORA**.
4. Otáčejte **OVLÁDACÍM KOLEČKEM** a zadejte počet brambor.
5. Stiskněte tlačítko **START/RYCHLÝ START**.
6. Když cyklus přípravy jídla skončí, zobrazí se na displeji „End“ (Konec) a každé dvě minuty se bude ozývat tón až do okamžiku, než stisknete nějaké tlačítko nebo otevřete dvířka.

Menu automatického vaření:

Automatický program	Velikost/hmotnost
Mražené pokrmy Automatické rozmrazování Automatický ohřev	Požadovanou hmotnost zadejte otočením OVLÁDACÍHO KOLEČKA . Mražený pokrm a automatický ohřev (200 g až 800 g), Automatické rozmrazování (100 g až 1800 g)
Ohřev nápojů	Zvolte počet šálek (každý o objemu 200 ml) otočením OVLÁDACÍHO KOLEČKA . Můžete zvolit 1 až 3 šálky.
Brambory pečené ve slupce	Zvolte počet brambor (každá o hmotnosti 230 g) otočením OVLÁDACÍHO KOLEČKA . Můžete zvolit 1 nebo 2 brambory.
Pizza	Zvolte hmotnost pizzy (150 g / 300 g / 450 g) otočením OVLÁDACÍHO KOLEČKA .
Popcorn	Zvolte počet sáčků s popcornem (každý o hmotnosti 100 g) otočením OVLÁDACÍHO KOLEČKA .
Čerstvá zelenina	Zvolte hmotnost zeleniny (200 g až 600 g) otočením OVLÁDACÍHO KOLEČKA .
Kaše	Zvolte hmotnost kaše (v gramech) otočením OVLÁDACÍHO KOLEČKA . 50 až 150 g.
Grilovaný steak (pouze pro modely s grilem)	Zvolte hmotnost steaku (200 g až 600 g) otočením OVLÁDACÍHO KOLEČKA .
Grilované kuře (pouze pro modely s grilem)	Zvolte hmotnost kuřete (200 g až 600 g) otočením OVLÁDACÍHO KOLEČKA .
Grilovaná ryba (pouze pro modely s grilem)	Zvolte hmotnost ryby (200 g až 600 g) otočením OVLÁDACÍHO KOLEČKA .

- Výsledek automatického vaření závisí na faktorech, jako je tvar a velikost jídla, vaše osobní preference ohledně stupně propečení/provaření, a také to, jak jídlo do trouby umístíte. Pokud nebudou výsledky uspokojivé, upravte mírně dobu vaření.

Poznámka: Tlačítko Automatické menu mají pouze modely YC-PG204A a YC-PS204A. Při každém stisknutí tlačítka Automatické menu se na displeji zobrazí automatický program dle výše uvedené tabulky. Když najdete požadované automatické menu, otáčejte **OVLÁDACÍM KOLEČKEM** a zvolte hmotnost jídla, které budete připravovat.

Podrobnosti o automatických programech

Jídlo	Množství	Původní teplota	Technika přípravy
Opětovný ohřev nápojů	1 až 3 šálky 1 šálek = 200 ml	Pokojevá	<ol style="list-style-type: none"> Umístěte nápoj, který chcete ohřát, do středu skleněného otočného talíře mikrovlnné trouby Zavřete dvířka, stiskněte tlačítko OPĚTOVNÝ OHŘEV NÁPOJŮ a otáčením OVLÁDACÍHO KOLEČKA vyberte počet šálků. Stisknutím tlačítka START/RYCHLÝ START spusťte vaření. Když se časovač zastaví, vyjměte nápoj. Buďte opatrní, protože váš nápoj bude horký.
Pečené brambory ve slupce	1 až 2 brambory 1 brambora = 230 ±10 g	Pokojevá	<ol style="list-style-type: none"> Brambory omyjte a osušte a povrch brambor několikrát propište vidličkou. Umístěte brambory do středu skleněného otočného talíře mikrovlnné trouby. Zavřete dvířka, stiskněte tlačítko PEČENÉ BRAMBORY VE SLUPCE a otáčením OVLÁDACÍHO KOLEČKA vyberte počet brambor. Stisknutím tlačítka START/RYCHLÝ START spusťte vaření. Když se časovač zastaví, vyjměte brambory z mikrovlnné trouby. Buďte opatrní, protože jídlo bude horké.
Pizza	150 až 450 g	Zmrazené na -18 °C	<ol style="list-style-type: none"> Umístěte pizzu na talíř vhodný do mikrovlnné trouby do středu skleněného otočného talíře. Zavřete dvířka, stiskněte tlačítko PIZZA a otáčením OVLÁDACÍHO KOLEČKA vyberte hmotnost. Stisknutím tlačítka START/RYCHLÝ START spusťte vaření. Když se časovač zastaví, vyjměte pizzu z mikrovlnné trouby. Buďte opatrní, protože jídlo bude horké.
Popcorn	100 g	Pokojevá	<ol style="list-style-type: none"> Umístěte popcorn do středu skleněného otočného talíře mikrovlnné trouby. Zavřete dveře a stiskněte tlačítko POPCORN. Stisknutím tlačítka START/RYCHLÝ START spusťte vaření. Když se časovač zastaví, vyjměte popcorn z mikrovlnné trouby. Buďte opatrní, protože jídlo bude horké.
Zmrazené jídlo	200 až 800 g	Zmrazené na -18 °C	<ol style="list-style-type: none"> Umístěte zmrazené jídlo do nádoby vhodné do mikrovlnné trouby a přikryjte jej plastovou fólií; do fólie udělejte otvory. Umístěte nádobu do středu skleněného otočného talíře mikrovlnné trouby. Zavřete dvířka, stiskněte tlačítko ZMRAZENÉ JÍDLO a otáčením OVLÁDACÍHO KOLEČKA vyberte hmotnost. Stisknutím tlačítka START/RYCHLÝ START spusťte vaření. Když se časovač zastaví, vyjměte a podávejte. Buďte opatrní, protože jídlo bude horké.
Čerstvá zelenina	200 až 600 g	Pokojevá	<ol style="list-style-type: none"> Umijte a nakrájejte zeleninu na malé kusky; délka 25–30 mm a tloušťka 10 mm. Umístěte tyto kusky do keramické misky vhodné do mikrovlnné trouby a přikryjte je plastovou fólií; do fólie udělejte otvory. Umístěte misku do středu skleněného otočného talíře mikrovlnné trouby. Zavřete dvířka, stiskněte tlačítko ČERSTVÁ ZELENINA a otáčením OVLÁDACÍHO KOLEČKA vyberte hmotnost. Stisknutím tlačítka START/RYCHLÝ START spusťte vaření. Když se časovač zastaví, vyjměte a podávejte. Buďte opatrní, protože jídlo bude horké.
Ovesná kaše	50 až 150 g	Pokojevá	<ol style="list-style-type: none"> V misce smíchejte ovesnou kaši a mléko. Na 50 g ovesa doporučujeme 180 ml mléka. Umístěte misku do středu skleněného otočného talíře. Zavřete dvířka, stiskněte tlačítko OVESNÁ KAŠE a otáčením OVLÁDACÍHO KOLEČKA vyberte hmotnost. Stisknutím tlačítka START/RYCHLÝ START spusťte vaření. Když se časovač zastaví, vyjměte a podávejte.
Auto- matický opětovný ohřev	200 až 800 g	Chlazené na 5 °C	<ol style="list-style-type: none"> Umístěte studenou rýži nebo těstoviny do keramické misky vhodné do mikrovlnné trouby a zakryjte plastovou fólií; do fólie udělejte otvory. Umístěte misku do středu skleněného otočného talíře mikrovlnné trouby. Zavřete dvířka, stiskněte tlačítko AUTOMATICKÝ OPĚTOVNÝ OHŘEV a otáčením OVLÁDACÍHO KOLEČKA vyberte hmotnost. Stisknutím tlačítka START/RYCHLÝ START spusťte vaření. Když se časovač zastaví, vyjměte a podávejte.
Grilovaný steak	200 až 600 g	Pokojevá	<ol style="list-style-type: none"> Rovnoměrně rozprostřete steak na grilovací rošt pokrytý papírem odolným proti mastnotě. Umístěte grilovací rošt do středu skleněného otočného talíře mikrovlnné trouby. Zavřete dvířka, stiskněte tlačítko GRILOVANÝ STEAK a otáčením OVLÁDACÍHO KOLEČKA vyberte hmotnost. Stisknutím tlačítka START/RYCHLÝ START spusťte vaření. Po dvou třetinách doby vaření otevřete dvířka, abyste jídlo obrátili, potom dvířka zavřete a pokračujte ve vaření. Po zastavení časovače vyjměte a podávejte. Buďte opatrní, protože jídlo a nádoby budou horké.
Grilované kuřecí kousky	200 až 600 g	Pokojevá	<ol style="list-style-type: none"> Rovnoměrně rozprostřete kuřecí kusky na grilovací rošt pokrytý papírem odolným proti mastnotě. Umístěte grilovací rošt do středu skleněného otočného talíře mikrovlnné trouby. Zavřete dvířka, stiskněte tlačítko GRILOVANÉ KURĚ a otáčením OVLÁDACÍHO KOLEČKA vyberte hmotnost. Stisknutím tlačítka START/RYCHLÝ START spusťte vaření. Po dvou třetinách doby vaření otevřete dvířka, abyste jídlo obrátili, potom dvířka zavřete a pokračujte ve vaření. Po zastavení časovače vyjměte a podávejte. Buďte opatrní, protože jídlo a nádoby budou horké.
Kousky grilované ryby	100 až 500 g	Pokojevá	<ol style="list-style-type: none"> Rovnoměrně rozprostřete kusky ryby na grilovací rošt pokrytý papírem odolným proti mastnotě. Umístěte grilovací rošt do středu skleněného otočného talíře mikrovlnné trouby. Zavřete dvířka, stiskněte tlačítko GRILOVANÁ RYBA a otáčením OVLÁDACÍHO KOLEČKA vyberte hmotnost. Stisknutím tlačítka START/RYCHLÝ START spusťte vaření. Po dvou třetinách doby vaření otevřete dvířka, abyste jídlo obrátili, potom dvířka zavřete a pokračujte ve vaření. Po zastavení časovače vyjměte a podávejte. Buďte opatrní, protože jídlo a nádoby budou horké.

Poznámka	Režim trouby a použitá metoda	YC-PS204A	YC-PG234A a YC-PS254A	YC-PG204A	YC-PG234A, YC-PG254A a YC-PG284A
	Pouze mikrovlnná příprava při 100% výkonu	1 šálek – 1:40 min 2 šálky – 3:00 min 3 šálky – 4:20 min	1 šálek – 1:30 min 2 šálky – 2:40 min 3 šálky – 3:50 min	1 šálek – 1:40 min 2 šálky – 3:00 min 3 šálky – 4:20 min	1 šálek – 1:30 min 2 šálky – 2:40 min 3 šálky – 3:50 min
	Pouze mikrovlnná příprava při 100% výkonu	1 brambora – 6:00 min 2 brambory – 9:00 min 3 brambory – 13:00 min	1 brambora – 5:00 min 2 brambory – 8:00 min 3 brambory – 12:00 min	1 brambora – 6:00 min 2 brambory – 9:00 min 3 brambory – 13:00 min	1 brambora – 5:00 min 2 brambory – 8:00 min 3 brambory – 12:00 min
U modelů YC-PS204A a YC-PG204A je třeba stisknout tlačítko NABÍDKA AUTO, dokud se nezobrazí program.	Pouze mikrovlnná příprava při 100% výkonu	150 g – 1:00 min 300 g – 1:30 min 450 g – 2:00 min	150 g – 0:50 min 300 g – 1:20 min 450 g – 1:50 min	150 g – 1:00 min 300 g – 1:30 min 450 g – 2:00 min	150 g – 0:50 min 300 g – 1:20 min 450 g – 1:50 min
	Pouze mikrovlnná příprava při 100% výkonu	100 g – 3:00 min	100 g – 2:00 min	100 g – 3:00 min	100 g – 2:30 min
	Mikrovlnná příprava na 100% výkon 1/2 času, poté 0% výkon 1/6 času a nakonec 100% výkon 1/3 času	200 g – 8:00 min 400 g – 11:00 min 600 g – 15:00 min 800 g – 18:00 min	200 g – 6:00 min 400 g – 9:00 min 600 g – 13:00 min 800 g – 16:00 min	200 g – 8:00 min 400 g – 11:00 min 600 g – 15:00 min 800 g – 18:00 min	200 g – 6:00 min 400 g – 9:00 min 600 g – 13:00 min 800 g – 16:00 min
U modelů YC-PS204A a YC-PG204A je třeba stisknout tlačítko NABÍDKA AUTO, dokud se nezobrazí program.	Pouze mikrovlnná příprava při 100% výkonu	200 g – 3:30 min 300 g – 4:30 min 400 g – 5:30 min 500 g – 6:30 min 600 g – 7:30 min	200 g – 3:00 min 300 g – 4:00 min 400 g – 5:00 min 500 g – 6:00 min 600 g – 7:00 min	200 g – 3:30 min 300 g – 4:30 min 400 g – 5:30 min 500 g – 6:30 min 600 g – 7:30 min	200 g – 3:00 min 300 g – 4:00 min 400 g – 5:00 min 500 g – 6:00 min 600 g – 7:00 min
U modelů YC-PS204A a YC-PG204A je třeba stisknout tlačítko NABÍDKA AUTO, dokud se nezobrazí program.	Mikrovlnná trouba – 100 %	50 g – 2:00 min 100 g – 3:30 min 150 g – 5:30 min	50 g – 2:00 min 100 g – 3:30 min 150 g – 5:30 min	50 g – 2:00 min 100 g – 3:30 min 150 g – 5:30 min	50 g – 2:00 min 100 g – 3:30 min 150 g – 5:30 min
U modelu YC-PG204A je třeba stisknout tlačítko NABÍDKA AUTO, dokud se nezobrazí program.	Pouze mikrovlnná příprava při 100% výkonu	200 g – 2:00 min 300 g – 2:40 min 400 g – 3:20 min 500 g – 4:00 min 600 g – 4:40 min 700 g – 5:20 min 800 g – 6:00 min	200 g – 1:30 min 300 g – 2:00 min 400 g – 2:30 min 500 g – 3:00 min 600 g – 3:30 min 700 g – 4:00 min 800 g – 4:30 min	200 g – 2:00 min 300 g – 2:40 min 400 g – 3:20 min 500 g – 4:00 min 600 g – 4:40 min 700 g – 5:20 min 800 g – 6:00 min	200 g – 1:30 min 300 g – 2:00 min 400 g – 2:30 min 500 g – 3:00 min 600 g – 3:30 min 700 g – 4:00 min 800 g – 4:30 min
U modelu YC-PG204A je třeba stisknout tlačítko NABÍDKA AUTO, dokud se nezobrazí program.	Mikrovlnná příprava běží na 100% výkon po dobu 10 sekund, poté se zapne gril na dobu 23 sekund. Tento cyklus se opakuje až do dokončení doby přípravy. Mikrovlnná příprava a gril nikdy neběží zároveň.	N/A	N/A	200 g – 15:00 min 300 g – 18:00 min 400 g – 21:00 min 500 g – 24:00 min 600 g – 27:00 min	200 g – 15:00 min 300 g – 18:00 min 400 g – 21:00 min 500 g – 24:00 min 600 g – 27:00 min
U modelu YC-PG204A je třeba stisknout tlačítko NABÍDKA AUTO, dokud se nezobrazí program.	Mikrovlnná příprava běží na 100% výkon po dobu 10 sekund, poté se zapne gril na dobu 23 sekund. Tento cyklus se opakuje až do dokončení doby přípravy. Mikrovlnná příprava a gril nikdy neběží zároveň.	N/A	N/A	200 g – 15:00 min 300 g – 18:00 min 400 g – 21:00 min 500 g – 24:00 min 600 g – 27:00 min	200 g – 15:00 min 300 g – 18:00 min 400 g – 21:00 min 500 g – 24:00 min 600 g – 27:00 min
U modelu YC-PG204A je třeba stisknout tlačítko NABÍDKA AUTO, dokud se nezobrazí program.	Mikrovlnná příprava běží na 100% výkon po dobu 10 sekund, poté se zapne gril na dobu 23 sekund. Tento cyklus se opakuje až do dokončení doby přípravy. Mikrovlnná příprava a gril nikdy neběží zároveň.	N/A	N/A	100 g – 12:00 min 200 g – 15:00 min 300 g – 18:00 min 400 g – 21:00 min 500 g – 24:00 min	100 g – 12:00 min 200 g – 15:00 min 300 g – 18:00 min 400 g – 21:00 min 500 g – 24:00 min

AUTOMATICKÉ ROZMRAZOVÁNÍ

Automatické rozmrazování umožňuje rozmrazovat jídlo podle hmotnosti. Doba rozmrazování a stupeň výkonu se automaticky nastaví poté, co zadáte kategorii jídla a jeho hmotnost. Hmotnost můžete nastavit od 100 g do 1800 g.

1. V pohotovostním režimu stiskněte tlačítko **AUTOMATICKÉ ROZMRAZOVÁNÍ**.
2. Otáčejte **OVLÁDACÍM KOLEČKEM** a zvolte hmotnost rozmrazovaného jídla.
3. Stisknutím tlačítka **START/RYCHLÝ START** spustíte rozmrazovací cyklus.
4. Pokud se trouba během rozmrazovacího cyklu zastaví, otočte jídlo, aby se rozmrazovalo rovnoměrně. Pak stiskněte tlačítko **START/RYCHLÝ START** a rozmrazování bude pokračovat.
5. Když cyklus rozmrazování jídla skončí, zobrazí se na displeji „End“ (Konec) a každé 2 minuty se bude ozývat tón až do okamžiku, než stisknete nějaké tlačítko nebo otevřete dvířka.

Automatické rozmrazování – provoz

Model	Hmotnostní rozsah	Rozsah času při rozmrazování	Provoz rozmrazování	Způsob
YC-PG204A	100 až 1800 g	5,5–39,5 min	Mikrovlonná příprava při 40% výkonu po 1/3 času, poté při 20% výkonu po následující 1/3 času. Následuje pokyn pro otočení a po otočení probíhá rozmrazování při 20% výkonu po zbytek času.	1. Umístěte zmrazené potraviny do nádoby vhodné do mikrovlonné trouby a přikryjte je plastovou fólií; do fólie udělejte otvory. 2. Umístěte nádobu do středu skleněného otočného talíře mikrovlonné trouby. 3. Zavřete dvířka, stiskněte tlačítko AUTOMATICKÉ ODMRAZOVÁNÍ a otáčením OVLÁDACÍHO KOLEČKA vyberte hmotnost.
YC-PG204A	100 až 1800 g	5–39 min	Mikrovlonná příprava při 20% výkonu po polovinu času, poté výzva k otočení jídla. Příprava při 20% výkonu po zbytek času přípravy.	4. Stisknutím tlačítka START/RYCHLÝ START spustíte rozmrazování 5. Během cyklu rozmrazování se trouba zastaví a požádá o obrácení jídla.
YC-PS234A a YC-PG234A	100 až 1800 g	5,5–39,5 min	Mikrovlonná příprava při 30% výkonu po 1/3 času, poté při 20% výkonu po následující 1/3 času. Následuje pokyn pro otočení a po otočení probíhá rozmrazování při 20% výkonu po zbytek času.	6. Otevřete dvířka a potraviny otočte/přerovnejte. Zavřete dvířka. 7. Stisknutím tlačítka START/RYCHLÝ START pokračujte v rozmrazování. 8. Když se časovač zastaví, vyjměte jídlo z trouby. Zkontrolujte, zda je jídlo důkladně rozmrazené.
YC-PS254A, YC-PG254A a YC-PG284A	100 až 1800 g	3–37 min		

AUTOMATICKÝ OHŘEV*

Trouba umožňuje ohřívat jídlo podle hmotnosti zadané uživatelem.

Doba ohřívání a stupeň výkonu se automaticky nastaví poté, co zadáte kategorii jídla a jeho hmotnost.

Hmotnost pro ohřev můžete nastavit od 100 g do 800 g.

1. V pohotovostním režimu stiskněte tlačítko **AUTOMATICKÝ OHŘEV**.
2. Otáčejte **OVLÁDACÍM KOLEČKEM** a zvolte hmotnost ohřívajícího jídla.
3. Stiskněte tlačítko **START/RYCHLÝ START**.
4. Když cyklus přípravy jídla skončí, zobrazí se na displeji „End“ (Konec) a každé dvě minuty se bude ozývat tón až do okamžiku, než stisknete nějaké tlačítko nebo otevřete dvířka.

* - Pouze pro modely s grilem.

KUCHYŇSKÝ ČASOVAČ

Trouba je vybavena kuchyňským časovačem, který odpočítává nastavený čas.

1. V pohotovostním režimu jednou stiskněte tlačítko **ČAS/NASTAVENÍ HODIN**.
2. Otáčením **OVLÁDACÍHO KOLEČKA** nastavte požadovaný čas. Nejdelší možný čas je 95 minut.
3. Stisknutím tlačítka **START/RYCHLÝ START** potvrďte operaci.
4. Displej začne odpočítávat nastavený čas.
5. Když dosáhne nuly, ozve se zvukové znamení.

Kuchyňský časovač je možné použít i v režimu vaření. Zatímco v troubě připravujete jídlo, proveďte výše uvedené kroky. Až dojde k aktivaci kuchyňského časovače, objeví se jeho údaj na 5 vteřin na displeji a pak displej znovu zobrazí odpočítávání času přípravy jídla v troubě. Pro opětovné zobrazení času zbývajících na časovači stiskněte jednou tlačítko **ČAS/NASTAVENÍ HODIN**. Displej zobrazí čas nastavený na kuchyňském časovači na 5 vteřin a pak se na něm znovu zobrazí odpočítávání času přípravy jídla v troubě.

- Pro zrušení **ČASOVAČE** stiskněte tlačítko **STOP/EKO** a displej zobrazí čas.
- Pokud už se spustil cyklus přípravy jídla, je možné spustit kuchyňský časovač provedením výše uvedených kroků.

FUNKCE ÚSPORY ENERGIE

Tato funkce umožňuje úsporu energie, když troubu zrovna nepoužíváte. Pro aktivaci této funkce v pohotovostním režimu stiskněte a na 3 vteřiny podržte tlačítko **STOP/EKO**. Displej se vypne a trouba vstoupí do režimu úspory energie.

Režim úspory energie zrušíte stisknutím jakéhokoli tlačítka nebo otevřením a zavřením dvířek.

FUNKCE TICHÉHO REŽIMU

Pomocí této funkce je možné vypnout veškeré zvuky trouby. Pro nastavení funkce tichého režimu stiskněte jednou tlačítko **DĚTSKÝ ZÁMEK**. Na displeji se na 5 vteřin zobrazí „**OFF**“ (Vypnuto). Když je trouba v tichém režimu, neozývají se při mačkání tlačítek žádné zvuky.

Chcete-li funkci ztlumení vypnout, stiskněte jednou tlačítko **DĚTSKÝ ZÁMEK**, na displeji se na 5 sekund zobrazí „**on**“, což znamená, že zvuk byl znovu zapnut.

Pokud je zapnutá funkce tichého režimu a odpojíte troubu od zdroje energie, bude tato funkce po opětovném připojení ke zdroji zrušená.

BEZPEČNOSTNÍ ZÁMEK

Toto je automatická funkce, která brání nechtěnému používání trouby dětmi. Pokud v pohotovostním režimu do jedné minuty neprovedete žádnou operaci, trouba automaticky vstoupí do režimu bezpečnostního zámku a na displeji se objeví „**Loc**“. Když je trouba uzamčená, nefungují žádná tlačítka. Při stisknutí jakéhokoli tlačítka se na displeji objeví na 5 vteřin symbol zámku, který uživatele upozorní, že musí bezpečnostní zámek zrušit.

Bezpečnostní zámek odemkněte jednoduše otevřením a zavřením dvířek mikrovlnné trouby. Tlačítka pak budou opět aktivní a indikátor zámku zhasne.

DĚTSKÝ ZÁMEK

Pro nastavení DĚTSKÉHO ZÁMKU stiskněte a na 3 vteřiny podržte tlačítko **DĚTSKÝ ZÁMEK**. Ozve se dlouhé pípnutí a na displeji se zobrazí „**Loc**“. Trouba je nyní v režimu DĚTSKÉHO ZÁMKU. V tomto režimu bude na displeji zobrazen aktuální čas a když stisknete nějaké tlačítko nebo otevřete dvířka trouby, zobrazí se na něm na 5 vteřin „**Loc**“.

Pro zrušení DĚTSKÉHO ZÁMKU stiskněte tlačítko **DĚTSKÝ ZÁMEK** a podržte ho na 3 vteřiny, dokud se neozve dlouhé pípnutí.

ČIŠTĚNÍ A PÉČE

- Před čištěním vypněte troubu a odpojte kabel od zdroje elektřiny.
- Udržujte vnitřní prostory trouby čisté. Když cákance jídla nebo rozlité tekutiny ulpí na stranách, dně nebo stropě vnitřní části trouby, otřete je vlhkým hadrem. Pokud je trouba hodně špinavá, můžete použít jemný čisticí prostředek. Nepoužívejte sprejové nebo jiné agresivní čističe. Mohou na povrchu dvířek způsobit skvrny, škrábance nebo narušení.
- Vnější část trouby čistěte vlhkým hadrem. Abyste předešli poškození provozních částí uvnitř trouby, nesmí při voda proniknout ventilačními otvory.
- Otřete dvířka a průhled na obou stranách a těsnicí prvky a přilehlé části pravidelně vlhkým hadrem, abyste odstranili rozstříkané jídlo.
- Nepoužívejte abrazivní čističe.
- Nepoužívejte parní čističe.
- Dbejte, aby se ovládací panel nenamočil. Čistěte ho jemným vlhkým hadrem. Při čištní kontrolního panelu nechejte otevřená dvířka, abyste troubu nedopatřením nezapnuli.
- Pokud se uvnitř trouby nebo okolo vnější části dveří nahromadí pára, otřete ji jemným hadrem. Může k tomu dojít tehdy, pokud trouba běží ve vlhkých podmínkách. Nejedná se o poruchu.
- Otočný talíř, nosič otočného talíře a spojka se musí pravidelně čistit, abyste předešli kontaminaci a potenciálnímu vzniku elektrického oblouku. Jednoduše je očistěte jemným čisticím prostředkem.
- Pachy z trouby odstraníte tak, že v misce vhodné do mikrovlnné trouby smícháte šálek vody se šťávou a kůrou z jednoho citronu. Směs vařte na mikrovlnný program 5 minut. Troubu důkladně otřete a osušte jemným hadrem.
- Pokud se rozbije žárovka, kontaktujte zákaznické centrum, které vám poradí, jak postupovat.
- Troubu musíte čistit pravidelně a musíte z ní odstraňovat usazené jídlo. Pokud nebudete troubu udržovat čistou, může dojít k poškození povrchu, což může negativně ovlivnit životnost produktu a vést k rizikovým situacím.
- Neodkládejte tento spotřebič do komunálního odpadu a řiďte se pokyny vaší země ohledně likvidace tohoto typu produktu.

VHODNÉ NÁDOBÍ DO MIKROVLNNÉ TROUBY

1. Ideálním materiálem pro náčiní do mikrovlnné trouby je průhledný vhodný do mikrovlnné trouby, protože umožňuje, aby vlny procházely nádobou a ohřály jídlo.
2. Mikrovlny nemohou procházet kovem, takže kovové náčiní nebo nádoby s kovovým okrajem se nesmí používat.
3. Nepoužívejte při mikrovlnném vaření produkty z recyklovaného papíru, protože mohou obsahovat malé úlomky kovů, které mohou způsobit jiskření a/nebo oheň.
4. Doporučujeme používat spíše kulaté/oválné nádoby než čtvercové/obdélníkové, protože jídlo v rozích bývá uvařené více než zbytek jídla.
5. Abyste zabránili přílišnému uvaření některých částí, můžete použít úzké proužky alobalu. Dejte ale pozor, abyste ho nepoužili příliš a aby by prostor mezi alobalem a dutinou trouby 2,54 cm.

Níže naleznete obecného průvodce, který vám pomůže vybrat správné náčiní.

Varné nádobí	Mikrovlny Bezpečné	Gril	Poznámka
Zapékací nádobí	✓ / ✗	✗	Vždy dodržujte pokyny výrobce. Nepřekračujte uvedené doby ohřevu. Postupujte opatrně, protože se tyto nádoby zahřejí na velmi vysokou teplotu.
Porcelán a keramika	✓ / ✗	✗	Porcelán, keramika, glazovaná kamenina a kostní porcelán jsou obvykle vhodné, mimo těch, které mají kovové ozdoby.
Tepluvzdorné sklo	✓	✓	Vždy se přesvědčte, že použité skleněné nádoby jsou vhodné do mikrovlnné trouby.
Sklo bez odolnosti vůči teplu	✗	✗	
Tepluvzdorná keramika	✓	✓	Přesvědčte se, že keramické materiály nejsou příliš tlusté nebo nemají vysoký obsah minerálů.
Plastové nádoby vhodné do mikrovlnné trouby	✓	✗	Vždy se přesvědčte, že plastové nádobí je vhodné pro použití v mikrovlnné troubě.
Papírové kuchyňské utěrky	✓ / ✗	✗	Používejte pouze papírové kuchyňské utěrky doporučené pro použití v mikrovlnné troubě.
Sklo Pyrex®	✓ / ✗	✓	Při použití tenkého skla je třeba dávat pozor, protože se může při náhlém zahřátí rozbit nebo prasknout.
Kovový plech	✗	✓	Není doporučeno používat při mikrovlnném ohřevu kovové varné nádoby, protože může dojít k jiskření a vzniku požáru.
Kovová mřížka	✗	✓	Není doporučeno používat při mikrovlnném ohřevu kovové varné nádoby, protože může dojít k jiskření a vzniku požáru.
Hliníková fólie Nádoby s fólií	✓ / ✗	✓	Pro ochranu pokrmu proti přehřátí lze použít malé kousky hliníkové fólie. Fólie musí být alespoň 2,54 cm od stěn trouby, aby nedošlo k jiskření. Použití nádob s fólií se nedoporučuje, pokud to výrobce přímo neuvádí, např. Microfoil®. Pečlivě dodržujte pokyny.
Potravinářská fólie	✓	✗	Neměla by se dotýkat potravin a musí být perforována, aby mohla unikat pára.
Plast/polystyren např. obaly z fast foodu	✓	✗	Je třeba dbát opatrnosti, protože některé nádoby se mohou při vysokých teplotách deformovat, roztavit nebo odbarvit.
Sáčky na mražení/pečení	✓	✗	Je nutno propíchnout, aby mohla unikat pára. Zajistěte, aby byly sáčky vhodné k použití v mikrovlnné troubě.
Papírové talířky/pohárky a kuchyňský papír	✓	✗	Nepoužívejte plastové nebo kovové spony, protože by se mohly roztavit a vzplanout z důvodu jiskření kovu.
Slaměné a dřevěné nádoby	✓	✗	Používejte pouze k vyhřátí nebo pohlcní vlhkosti. Je nutno postupovat opatrně, protože přehřátí může způsobit požár.
Recyklovaný papír a noviny	✗	✗	Při použití těchto materiálů buďte vždy opatrní, protože může dojít k přehřátí a vzniku požáru. Mohou obsahovat stopy kovů, které způsobí jiskření, což může vést ke vzplanutí.



UPOZORNĚNÍ: Při ohřevu jídla v plastových nebo papírových obalech sledujte troubu z důvodu možnosti vznícení.

POZNÁMKA: Během používání trouby ji nenechávejte bez dozoru.

RADY PRO MIKROVLNNÝ OHŘEV

Mikrovlny ohřívají pokrmy rychleji než konvenční způsoby vaření. Je tedy jednoznačné, že použití současných technik vede k zajištění dobrých výsledků. Mnoho z následujících technik se podobá technikám používaným při běžném vaření.



VAROVÁNÍ: Tekutiny a potraviny nesmí být ohřívány v utěsněných nádobách nebo sklenicích/ nádobách uzavřených víčkem, protože by mohlo dojít ke zvyšování tlaku uvnitř a k explozi nádoby/sklenice.

RADY PRO VAŘENÍ - POZNÁMKY:

- Vždy dávejte pozor na troubu, je-li v provozu.
- Vždy se ujistěte, že je nádobí vhodné k použití v mikrovlnné troubě.
- Popcorn do mikrovlnné trouby připravujte pouze v doporučeném obalu (dbejte pokynů výrobce). Nepoužívejte olej, není-li určeno výrobcem, a nikdy nezahřívejte déle, než je předepsáno.



VAROVÁNÍ: Překročíte-li doporučené doby ohřevu a použijete příliš vysoké výkony, může dojít k přehřátí potraviny, vznícení a v extrémních případech ke vzniku požáru a poškození trouby.

Uspořádání

Nejsilnější část potravin dejte do vnější části nádobí, např. kuřecí stehna.

Potraviny, které jsou dány do vnější části nádobí přijmou více energie, proto se uvaří rychleji než kdyby byly uprostřed.

Přikrytí

Určitým potravinám prospěje, pokud jsou během vaření v mikrovlnné troubě přikryté.

K zakrytí použijte fólii do mikrovlnné trouby nebo vhodné víko.

Propichování

Potraviny se skořápkou, slupkou, kůží nebo blánou musí být před vařením nebo ohřevem propíchnuty na několika místech, protože bude docházet k uvolňování páry a potravina může explodovat. např. brambory, ryba, kuře, párky.

POZNÁMKA: Vejce se nesmí v mikrovlnné troubě ohřívát, protože by mohly explodovat, a to i poté, co vaření skončilo. Jedná se např. o ztracená nebo míchaná vejce a vejce natvrdo.

Míchání, otočení a přeskládání

Aby je jídlo rovnoměrně ohřálo, je nezbytné ho během vaření míchat, otáčet a přerovnávat. Jídlo michejte a přerovnávejte vždy z vnějšku do středu.

Odstání

Po vaření je nutné nechat jídlo odstát, aby se teplo v jídle rovnoměrně rozmístilo.

Charakteristiky potravin	
Složení	Potraviny s vysokým obsahem tuku nebo cukru (např. mleté maso) vyžadují kratší dobu ohřevu. Je třeba dávat pozor, neboť přehřátí může vést ke vzniku požáru. Kosti v potravinách vedou teplo, díky čemuž se potraviny uvaří rychleji. Je třeba dát pozor, aby se jídlo uvařilo rovnoměrně.
Hustota	Hustota potravin ovlivní nutnou dobu vaření. Lehké, porézní potraviny, jako dorty nebo chléb, se ohřívají rychleji než těžká, hutná jídla, jako pečeně a jídlo vařené v jednom hrnci.
Množství	Počet mikrovln ve vaší troubě je stejný bez ohledu na tom, kolik jídla se vaří. Se vzrůstajícím množstvím jídla v troubě je nutné zvyšovat dobu ohřevu. např. čtyři brambory se budou vařit déle než dvě.
Velikost	Malé potraviny a malé kousky se ohřívají rychleji než velké, protože mikrovlny mohou ze všech stran proniknout do středu. Aby byl ohřev rovnoměrný, udělejte všechny kousky stejně velké.
Tvar	Jídla s nepravidelným tvarem, jako kuřecí prsa nebo stehna se v silnějších částech ohřívají déle. Aby byl ohřev rovnoměrný, umístěte nejsilnější části ke vnější straně nádoby, kde obdrží více energie. Potraviny se zakulaceným tvarem se v mikrovlnné troubě ohřívají rovnoměrněji než potraviny s hranatým tvarem.
Teplota potravin	Nutnou dobu vaření ovlivňuje i počáteční teplota potravin. Chlazené potraviny se budou vařit déle než potraviny s pokojovou teplotou. Teplota nádoby není skutečným ukazatelem tepoty potravin nebo nápojů. Do potravin s náplní, například koblíh, píchnete a uvolněte teplo nebo páru.



VAROVÁNÍ: kK vyjmutí potravin nebo varného nádobí z trouby vždy používejte rukavice. Po otevření dvířek trouby odstupte, aby se teplo a pára rozptýlily. Při odstraňování pokrytí (jako například potravinářská fólie), otevírání sáčků na pečení nebo balíčků s popcornem nasměřujte unikající páru mimo ruce a obličej.



VAROVÁNÍ: Zkontrolujte teplotu jídla a nápojů a před podáváním je promíchejte. Dbejte zvýšené opatrnosti při podávání kojencům, dětem nebo starším lidem. Obsahy kojeneckých lahví a dětských přesnídávek je třeba promíchat nebo protřepat a před konzumací je nutné zkontrolovat teplotu, aby se předešlo vzniku popálenin.

RADY PRO ROZMRAZOVÁNÍ

Použití mikrovlnné trouby je nejrychlejším způsobem rozmrazování. Jedná se o jednoduchý proces, ale je důležité dodržovat následující pokyny, aby bylo jídlo důkladně rozmrazené.

- Před rozmrazováním odstraňte veškeré obaly.
- Jídlo rozmrazujte na stupních mikrovlnného výkonu P-20 až P-40.
- Nahlédněte do informací níže.

Přeskládání

Potraviny, které jsou umístěny do vnější části nádobí se rozmrazí rychleji než ty uprostřed. Proto je nutné, aby se potraviny během rozmrazování 4x přendaly.

Uzavřené části přesuňte do středu a přearanžujte.

Tak se zajistí, že se všechny části potravin rozmrazí rovnoměrně.

Oddělení

Po vyjmutí z mrazničky může být jídlo slepené dohromady. Je důležité oddělit od sebe jídlo co nejdříve během rozmrazování.

např. plátky slaniny, kuřecí plátky.

Ochrana

Některé části jídla se mohou během rozmrazování zahřívat. Aby se předešlo jejich zahřátí a vaření, mohou být tyto části chráněny malými kousky fólie, která odráží mikrovlny. Např. kuřecí stehna a křídýlka.

Odstání

Aby se potraviny důkladně rozmrazily, je nutné je nechat odstát.

Rozmrazení není ihned po vyjmutí z mikrovlnné trouby úplné. Jídlo se musí nechat přikryté odstát, aby bylo zajištěno úplné rozmrazení i ve středu.

Přetočení

Je zcela zásadní, abyste veškeré jídlo během rozmrazování až 4krát otočili.

Je to důležité pro zajištění kompletního rozmrazení.

RADY PRO OHŘEV

Při ohřevu pokrmů se držte následujících rad a pokynů, aby bylo zajištěno úplné ohřátí jídla před podáváním.

Jídla na talíři

Odstraňte všechny kousky masa a drůbeže a ohřejte je odděleně, viz. níže.

Umístěte menší části pokrmu do středu talíře, větší a silnější kousky jídla k okraji. Přikryjte perforovanou potravinářskou fólií a ohřívajte na výkonnostním stupni P-50. V polovině ohřevu zamíchejte/přeskládejte.

POZNÁMKA: Před podáváním se přesvědčte, že je pokrm úplně ohřátý.

Plátky masa

Přikryjte perforovanou potravinářskou fólií a ohřívajte na výkonnostním stupni P-60. Alespoň jednou přeskládejte, aby bylo zajištěno rovnoměrné ohřátí.

POZNÁMKA: Před podáváním se přesvědčte, že je maso úplně ohřáté.

Porce drůbeže

Umístěte silnější části porce k okraji nádoby, přikryjte perforovanou potravinářskou fólií a ohřívajte na výkonnostním stupni P-70.

V polovině ohřívání jídlo otočte.

POZNÁMKA: Před podáváním se přesvědčte, že je drůbež úplně ohřátá.

Jídla vařené v jednom hrnci

Přikryjte perforovanou potravinářskou fólií nebo vhodným krytem a ohřívajte na výkonnostním stupni P-50.

Pro zajištění rovnoměrného ohřevu opakovaně zamíchejte.

POZNÁMKA: Před podáváním se přesvědčte, že je pokrm úplně ohřátý.

Abyste při ohřevu dosáhli nejlepších výsledků, zvolte vhodnou úroveň mikrovlnného výkonu odpovídajícího typu potravin. Např. miska zeleniny může být ohřívána na výkonnostním stupni P-100, zatímco lasagne obsahují složky, které nemohou být promíchány by měly být ohřívány na výkonnostním stupni P-40.

POZNÁMKY:

- Před ohřevem vyjměte jídlo z fólií nebo kovových obalů.
- Doby ohřevu budou závislé na tvaru, hloubce, množství a teplotě jídla, stejně tak jako na velikosti, tvaru a materiálu nádoby.



VAROVÁNÍ: Nikdy neohřívajte tekutiny v nádobách s úzkým hrdlem, jako jsou kojenecké láhve, protože to může mít za následek vzkypění obsahu nádoby při ohřevu a způsobit popáleniny.

- Abyste předešli přehřátí a požáru, je třeba dávat mimořádný pozor u vaření nebo ohřívání jídel s vysokým obsahem cukru nebo tuku, např. biskupský chlebiček nebo vánoční pudink.
- Nikdy neohřívajte tuk, nebo fritovací olej, protože by mohlo dojít k přehřátí a vznícení.
- Brambory v plechovce by neměly být ohřívány v mikrovlnné troubě. Řiďte se pokyny výrobce plechovky.



WARNING: Obsahy kojeneckých lahví a dětských přesnídávek je třeba promíchat nebo protřepat a před konzumací je nutné zkontrolovat teplotu, aby se předešlo vzniku popálenin.

ODSTRAŇOVÁNÍ PROBLÉMŮ

Pokud se domníváte, že trouba nefunguje správně, existují jednoduché kontroly, které můžete provést sami, než zkontaktujete technika. To pomůže předejít zbytečným servisním hovorum v případech, že je závada jednoduchá.

Postupujte dle pokynů níže:

Dejte na otočný talíř půl šálku vody a zavřete dvířka. Nastavte časovač na vaření po dobu 1 minuty na mikrovlnném výkonnostním stupni P-100.

1. Rozsvítilo se během vaření světlo v troubě?
2. Funguje ventilátor? (Nad průduchy dejte ruku.)
3. Ozve se po 1 minutě zvukový signál?
4. Je voda v šálku horká?

Pokud jste na některou z otázek odpověděli „NE“, zkontrolujte, zda je trouba zapojena do sítě a zda nedošlo k vypálení pojistky. Pokud se žádná taková závada neobjeví, postupujte dle tabulky odstraňování problémům níže.



VAROVÁNÍ: Nikdy nenastavujte, neopravujte ani neupravujte troubu sami. Pro kohokoli jiného než techniky SHARP je servis nebo oprava spotřebiče nebezpečná. To je důležité, neboť oprava může zahrnovat sejmutí krytů poskytujících ochranu před mikrovlnnou energií.

- Těsnění dveří zastaví únik mikrovln během provozu trouby, ale nejde o vzduchotěsné těsnění. Je normální, že na dveřích trouby uvidíte kapky vody. Potraviny s vysokou vlhkostí budou uvolňovat páru a uvnitř trouby bude docházet ke kondenzaci.
- Opravy a úpravy: Pokud trouba nefunguje správně, nepokoušejte se ji spouštět.
- Přístup k vnějšímu plášti & přístup ke světlu: Nikdy neodstraňujte vnější plášť. Je to velmi nebezpečné z důvodu vysokého napětí částí, kterých se nikdy nesmíte dotýkat, neboť by to mohlo být smrtelné. Vaše trouba není vybavena krytem pro přístup ke světlu. Pokud světlo přestane fungovat, nepokoušejte se ho opravit sami a kontaktujte schválené servisní zařízení SHARP.

TABULKA ODSTRAŇOVÁNÍ PROBLÉMŮ

DOTAZ	ODPOVĚĎ
Vzduch cirkulující okolo dveří.	Když trouba funguje, v prostoru trouby cirkuluje vzduch. Dveře nemají žádné vzduchotěsné těsnění a vzduch tak může z dveří unikat.
V troubě se tvoří kondenzace a může kapat ze dveří.	Prostor trouby bude normálně chladnější než vařené potraviny a proto na chladnějším povrchu kondenzovat pára vznikající během vaření. Množství vzniklé páry závisí na obsahu vody ve vařených potravinách. Některé potraviny, například brambory, mají vysoký obsah vlhkosti. Kondenzace na skle dveří může po několika hodinách zmizet.
Jiskření v prostoru trouby během vaření.	Pokud se k prostoru trouby během vaření přiblíží kovový objekt, může docházet k jiskření. To může narušit povrch vnitřní části trouby, ale troubu to jinak nijak nepoškodí.
Jiskření brambor.	Ujistěte se, že z brambor byly odstraněny všechny klíčky a že byly propíchnuty a umístěny přímo na desku nebo na teplu vzdorné nádoby.
Při používání trouby pouze v režimu grilu se zdá, že topné těleso není zapnuté po celou dobu.	Je tomu tak proto, že se grilovací těleso zapíná a vypíná, aby teplota v troubě zůstala na stanovené výšce.
Při používání grilu v kombinovaném režimu se zdá, že není zapnutý.	Během režimu kombinovaného vaření (mikrovlnná trouba a gril) bude trouba přepínat mezi dvěma funkcemi. Funkce mikrovlnné přípravy a grilu nebudou zapnuté současně.
Trouba se po stisknutí tlačítka START/RYCHLÝ START nespustí.	Zkontrolujte, zda jsou dveře řádně zavřené.
Trouba vaří příliš pomalu.	Ujistěte se, zda byl vybrán správný výkon.
Trouba je hlučná.	Při zapínání a vypínání mikrovlnné energie může být slyšet bzučivý zvuk, což je normální.
Po skončení přípravy jídla je trouba hlučná nebo působí, jako by stále běžela.	Na konci cyklu přípravy jídla může zůstat ventilátor zapnutý po dobu několika minut, aby se trouba zchladila. Je to zcela normální.
Vnější skříň je horká.	Skříň může být horká na dotek – nepouštějte k ní děti.
Po stisknutí tlačítka se na displeji objeví „LoC“ (Zámek).	Po 30 sekundách vstoupí trouba do režimu uzamknutí v důsledku čehož nebude fungovat žádné z tlačítek. Otevřete a zavřete dvířka a tlačítka budou opět funkční. Zkontrolujte také, zda není spotřebič v režimu uzamknutí.
Na displeji se zobrazuje „Fail“ (Porucha) a každou minutu trouba pípne.	Dochází k tomu, pokud jsou tlačítka na ovládacím panelu stisknutá nepřetržitě více jak 1 minutu. Vypněte troubu ze zásuvky a znovu ji do ní zapněte po několika minutách.
Trouba pípá každých 30 sekund.	Pokud skončila příprava jídla a neotevřeli jste dvířka, ozve se každých 30 sekund pípnutí. Abyste ho vypnuli, otevřete dvířka a poté je zase zavřete.

NEŽ ZAVOLÁTE NA ASISTENČNÍ SLUŽBY

Než požádáte o servisní služby, zkontrolujte všechny níže uvedené body:

- Přesvědčte se, že je trouba bezpečně zapojená do zásuvky. Pokud není, vytáhněte zástrčku ze zásuvky, počkejte 10 vteřin a znovu ji bezpečně zapojte.
- Zkontrolujte, zda spálená pojistka nebo nejsou vyhozené pojistky. Pokud je obojí v pořádku, zkuste do zásuvky zapojit jiné zařízení, zda bude fungovat.
- Zkontrolujte, že jsou výkon a čas správně nastaveny.
- Zkontrolujte, zda jsou dvířka bezpečně zavřená a je zavřený systém bezpečného zavírání dvířek. Jinak nebude do trouby proudit mikrovlnná energie.

POKUD ŽÁDNÉ Z VÝŠE UVEDENÉHO SITUACI NENAPRAVÍ, KONTAKTUJTE KVALIFIKOVANÉHO TECHNIKA. NESNAŽTE SE TROUBU OPRAVIT NEBO UPRAVIT SAMI.



Vigtigt:

Bemærk: Dit produkt er markeret med dette symbol. Det betyder, at brugte elektriske og elektroniske produkter ikke må blandes med almindeligt husholdningsaffald. Der findes et separat indsamlingssystem for disse produkter.



www.sharpconsumer.com/contact/



www.sharpconsumer.com/support/



www.sharpconsumer.com/documents-of-conformity/

A. Oplysninger om bortskaffelse for brugere (private husholdninger)

1. I EU

Vigtigt: Hvis du vil bortskaffe dette udstyr, må du ikke bruge en almindelig skraldespand.

Brugt elektrisk og elektronisk udstyr skal behandles separat og i overensstemmelse med lovgivningen, der kræver korrekt behandling, indsamling og genbrug af brugt elektrisk og elektronisk udstyr.

Efter implementeringen i medlemslandene kan private husholdninger inden for landene i EU gratis returnere deres brugte elektriske og elektroniske udstyr på angivne genbrugsstationer*.

I nogle lande* vil din lokale forhandler muligvis også modtage dit gamle produkt uden omkostninger, hvis du køber et tilsvarende nyt produkt.

*) Kontakt de lokale myndigheder for yderligere detaljer.

Hvis dit brugte elektriske eller elektroniske udstyr indeholder batterier eller akkumulatorer, skal du bortskaffe dette produkt i henhold til lokale krav. Ved at bortskaffe dette produkt på korrekt vis, hjælper du med at sikre, at affaldet underkastes den nødvendige behandling, genindvinding og genbrug og således forebygger potentielle, negative virkninger på miljøet og menneskers sundhed, som ellers kunne opstå som følge af u hensigtsmæssig håndtering af affaldet.

2. I lande uden for EU

Hvis du vil bortskaffe dette produkt, bedes du kontakte de lokale myndigheder og spørge efter den korrekte bortskaffelsesmetode.

I Schweiz: Brugt elektrisk eller elektronisk udstyr kan returneres gratis til forhandleren, selv hvis du ikke køber et nyt produkt.

Yderligere genbrugsstationer er angivet på hjemmesiden www.swico.ch eller www.sens.ch.

B. Oplysninger om bortskaffelse for erhvervsbrugere

1. I EU

Hvis produktet anvendes til forretningsformål og du vil bortskaffe det:

Kontakt venligst din SHARP-forhandler, som vil informere dig om returnering af produktet. Du kan blive opkrævet for omkostningerne i forbindelse med returnering og genbrug. Mindre produkter (og små mængder) kan muligvis afleveres til din lokale genbrugsstation.

I Spanien: Kontakt venligst det etablerede indsamlingssystem eller de lokale myndigheder for returnering af dine brugte produkter.

2. I lande uden for EU

Hvis du vil bortskaffe dette produkt, bedes du kontakte de lokale myndigheder og spørge efter den korrekte bortskaffelsesmetode.

For at få oplysninger om service bedes du se www.sharpconsumer.com/contact/, for at få oplysninger om dine garantirettigheder bedes du se www.sharpconsumer.com/support/ eller kontakt forhandleren, hvor du købte produktet.

Erklæringer om overensstemmelse kan hentes fra www.sharpconsumer.com/documents-of-conformity/

FORHOLDSREGLER FOR AT UNDGÅ MULIG UDSÆTTELSE FOR MIKROBØLGEENERGI

1. Forsøg ikke at betjene denne ovn med døren åben, da det kan medføre skadelig eksponering for mikrobølgeenergi. Det er vigtigt ikke at virke mod hensigten eller pille ved sikkerhedslåsene.
2. Indsæt ikke noget mellem ovnens forside og døren, og lad ikke snavs eller rester af rengøringsmiddel ophobe sig på tætningsoverfladerne.
3. Brug ikke ovnen, hvis den er beskadiget. Det er meget vigtigt, at ovndøren lukkes korrekt, og at der ikke er skader på døren, hængslerne, låsene eller dørpakningerne og tætningsoverfladerne.
4. Forsøg ikke at reparere eller justere ovnen.

INDHOLD

VIGTIGE SIKKERHEDSANVISNINGER.....	3
INSTALLATION.....	11
RADIOINTERFERENS	12
VEJLEDNING OM JORDFORBINDELSER	12
SPECIFIKATIONER	12
OVN OG TILBEHØR.....	13
BETJENINGSPANEL	14
FØR BRUG AF OVNEN.....	15
INDSTILLING AF UR.....	15
MIKROBØLGETILBEREDNING.....	16
HURTIGSTART.....	17
GRILLTILBEREDNING*.....	17
MIKROBØLGE + GRILL *	18
AUTO MENU	19
AUTOMATISK OPTØNING	22
AUTO-GENOPVARM*.....	22
KØKKENTIMER	23
STRØMBESPARENDE FUNKTION	23
FUNKTIONEN LYDLØS	24
BØRNESIKRINGSLÅS	24
BØRNESIKRING	24
RENGØRING OG PLEJE.....	25
OVNFAST PORCELÆN OG EGNEDE BEHOLDERE	26
GODE RÅD OM TILBEREDNING MED MIKROBØLGER.....	27
GODE RÅD OM OPTØNING	29
GODE RÅD OM GENOPVARMNING	30
FEJLFINDING	31
FØR DU RINGER EFTER HJÆLP	33

* - Kun for modeller med grill.

VIGTIGE SIKKERHEDSANVISNINGER

LÆS OMHYGGELIGT OG GEM TIL FREMTIDIG REFERENCE.

Således undgås risiko for brand. Mikrobølgeovnen bør ikke efterlades uden opsyn under drift. Effektniveauer, der er for høje, eller tilberedningstid, der er for lang, kan overophede madvarer og forårsage brand.

Denne ovn er kun designet til at blive brugt på en bordplade. Den er ikke beregnet til indbygning i et køkkenskab. Placér ikke ovnen i et skab.

Stikkontakten skal være let tilgængelig, så ovnen kan frakobles stikket i en nødsituation.

Ovnen skal tilsluttes en stikkontakt med 230-240 V, 50 Hz, som sikres med en 10 A sikring eller en overspændingsbeskyttelse på minimum 10 A. Det anbefales, at apparatet tilsluttes en separat gruppe.

Anbring ikke ovnen i områder, hvor der udvikles varme. F.eks. tæt på en almindelig ovn. Installer ikke ovnen i et område med høj luftfugtighed, eller hvor der kan samle sig fugt. Opbevar eller brug ikke ovnen udendørs.

Hvis der forekommer røg i mikrobølgeovnen, skal der slukkes for kontakten eller stikket skal tages ud. Lad lågen være lukket for at kvæle flammerne.

Brug kun mikrobølgeegnede beholdere og køkkenredskaber. Køkkenredskaber skal kontrolleres for at sikre, at de er egnede til brug i mikrobølgeovne.

Ved opvarmning af fødevarer i plastik- eller papirbeholdere skal du holde øje med ovnen på grund af muligheden for antændelse.

Rengør bølgeleder dækslet og ovnrummet. Disse dele skal være tørre og uden fedt. Fedt, der samler sig på delene,

kan blive overophedede og begynde at ryge eller bryde i brand.

Stil ikke brændbare genstande nær ved ovnen eller dens ventilationsåbninger.

Bloker ikke ventilationsåbningerne.

Fjern forseglinger af metal, lukkebånd osv. fra maden og indpakningerne. Buedannelse på metaloverflader kan resultere i ild.

Anvend ikke mikrobølgeovnen for at varme fritureolie op. Det er ikke muligt at kontrollere temperaturen og olien kan antænde.

Hvis du påtænker at lave popcorn, skal du anvende specielle popcornsbeholdere for mikrobølgeovne.

Opbevar ikke mad eller andet inde i ovnen.

Kontrollér indstillingerne, når du starter ovnen, for at være sikker på, at den anvendes korrekt.

Efterlad ikke ovnen uden opsyn, når den er i brug.

Vær ekstra opmærksom, når madretter med højt sukkerindhold eller fedtindhold tilberedes eller genopvarmes, for eksempel, pølsehorn, tærter eller budding. Risiko for overophedning eller brand. Se de tilsvarende fif i brugervejledningen.

Sådan undgås risiko for skader. ADVARSEL:

Anvend ikke ovnen, hvis den er beskadiget eller ikke fungerer rigtigt. Kontroller følgende, inden ovnen anvendes:

- a)** Kontroller, at ovnlågen lukker korrekt, og at den ikke hænger på skrå eller er skæv.
- b)** Kontroller, at hængslerne og sikkerhedslåsene på lågen ikke er knækkede eller løse.
- c)** Sørg for, at ovnlågens tætninger og tætningsoverflader ikke er beskadigede.

- d) Kontroller, at ovnens og ovnlågens indvendige sider ikke har nogen buler.
- e) Sørg for, at netledningen og stikkontakten ikke er beskadigede.

Mikrobølgeovnen må ikke anvendes, hvis lågen eller hængslerne er beskadigede. Ovnen skal først repareres af en kompetent tekniker før videre anvendelse.

Forsøg aldrig selv at justere, reparere eller modificere ovnen. Det kan være farligt for personer uden specielle kundskaber at udføre service eller reparere ovnen, da dette kræver, at kapper, som beskytter mod farlig mikrobølgeenergi, fjernes.

Anvend ikke ovnen, hvis ovnlågen er åben, og forsøg ikke at ændre på ovnlågens sikkerhedslåseklinter på nogen måde. Anvend ikke ovnen, hvis der sidder noget i klemme mellem ovnlågens tætningslister og kontaktfladerne.

Tillad ikke fedt og snavs at opbygges på lågens pakninger og tilstødende dele. Rengør oven med regelmæssige mellemrum og fjern fødevarerflejringer.

Følg instruktionerne om "Pleje og rengøring". Hvis ovnen ikke holdes ren, kan det føre til ødelæggelse af overfladen, der kan påvirke apparatets levetid og eventuelt føre til en farlig situation.

Personer, som anvender PACEMAKER, skal spørge en læge eller pacemakerproducenten til råds angående anvendelse af mikrobølgeovne.

Sådan undgås risiko for elektrisk stød.

- Du må under ingen omstændigheder fjerne yderkappen.
- Undgå at der spildes væske på eller der kommer genstande inden for ovnlågens låseåbninger eller ventilationsåbninger. Hvis der spildes noget på disse dele, skal ovnen umid-

delbart slukkes og kobles fra strømnettet. Kontakt derefter et autoriseret SHARP-serviceværksted.

- Du må ikke komme strømkablet og stikkontakten i vand eller væsker.
- Lad ikke strømkablet hænge ned fra kanten af et bord eller en anden arbejdsoverflade.
- Hold strømkablet væk fra varme overflader, inklusive ovns bagside.
- Hold apparatet og dets ledning inden for rækkevidde af børn under 8 år.
- Forsøg ikke selv at skifte ovnlampen og lad ikke andre end en elektriker, som er autoriseret af SHARP, gøre dette. Hvis ovnlampen går i stykker, skal du kontakte din forhandler eller et autoriseret SHARP-serviceværksted.
- Hvis strømforsyningskablet er beskadiget, skal det udskiftes af en autoriseret SHARP-servicetekniker.

ADVARSEL: Væsker og andre fødevarer må ikke opvarmes i lukkede beholdere, da de kan eksplodere. Mikrobølgeopvarmning af drikkevarer kan medføre forsinket kogning i udbrud. Derfor skal du være forsigtig, når du håndterer beholderen. Sådan undgås risikoen for eksplosion og pludselig kogning:

Anvend aldrig lukkede beholdere. Tag forsegling eller låg af, inden beholderne anvendes. Lukkede beholdere kan eksplodere pga. et opbygget tryk, selv efter at ovnen er slukket. Vær forsigtig, når du opvarmer væsker med mikrobølger. Brug en beholder med en stor åbning for at lade bobler forsvinde.

Varm aldrig væsker i flasker eller beholdere med smal hals, f.eks. babyflasker, da der er risiko for, at indholdet kan sprøjte ud under opvarmning med risiko for forbrændingsskader.

Sådan undgås forbrændingsskader fra væsker, der koger over:

1. Tilbered ikke i for lang tid.
2. Omrør i væsken inden opvarmningen/genopvarmningen.
3. Det anbefales at sætte en glasstav eller lignende (ikke metal) i væsken ved genopvarmning.
4. Lad væsken stå i mindst 20 sekunder i ovnen, efter tilberedningen for at modvirke, at væsken koger over.

Tilbered ikke æg med skal, og varm ikke hele hårdkogte æg op i mikrobølgeovnen, da de kan eksplodere, selv efter mikrobølgetilberedningen er slut. Hvis du vil tilberede æg eller genopvarme æg, der ikke består af røræg eller er blandet, skal du først prikke i æggeblommerne og æggehviderne. Pil ægget og skær hårdkogte æg i skiver, inden de genopvarmes i mikrobølgeovnen.

Prik hul i skindet på madvarer som kartofler, pølser og frugt før tilberedning, da de ellers kan eksplodere.

ADVARSEL: Indholdet i sutteflasker og babymad i glas skal omrøres eller rystes, og temperaturen skal tjekkes, inden du giver det til dit barn for at undgå forbrænding. Brug grydelapper eller ovnhandsker, når du tager maden ud af ovnen for at undgå forbrændinger. Sådan undgås risikoen for forbrændinger:

- Åbn altid beholdere, popcornsposer, stegeposer osv. væk fra ansigt og hænder for at undgå forbrændinger fra damp og kogeudbrud. For at undgå forbrændinger skal du altid tjekke madens temperatur og røre rundt inden servering, og læg især mærke til temperatur på mad og drikke, der gives til spædbørn, børn eller ældre. Tilgængelige dele kan blive varme under brug. Små børn bør holdes væk.
- Temperatur i beholderen er ikke en sand indikation af temperaturen på maden eller drikkevaren. Kontrollér altid madens temperatur.
- Stå altid på afstand af ovnlågen, når den åbnes for at und-

gå forbrændingsskader fra varm damp og varme, som kan strømme ud.

- Skær madvarer, der tilberedes i ovnen, i dele for at slippe damp ud og undgå forbrændingsskader.
- Hold børn væk fra ovnlågen for at undgå, at de brænder sig.

ADVARSEL: Tillad kun børn på 8 år eller ældre at bruge ovnen under passende opsyn, og hvor der er givet passende instruktioner, sådan at barnet er i stand til at bruge ovnen på en sikker måde og forstår farerne ved forkert brug.

Når ovnen bliver brugt i GRILL, MIX GRILL og AUTO-menutilstand (tilstand afhængig af model), må børn kun bruge ovnen under passende voksent opsyn på grund af den temperatur, der opstår.

Dette apparat er ikke beregnet til anvendelse af personer (heriblandt børn) med nedsatte fysiske, sensoriske eller mentale evner, eller manglende erfaring og viden, medmindre de er under opsyn eller får instruktion i brugen af apparatet af en person, der er ansvarlig for deres sikkerhed.

Børn bør være under opsyn for at sikre, at de ikke leger med apparatet. Børn skal overvåges, hvis de gør ovnen ren.

Modeller med elektronisk berøringspanel er forsynet med en børnesikringstilstand.

Undlad at hænge eller svinge i ovnlågen. Undlad at lege med ovnen, eller bruge den som legetøj.

Børn bør lære alle vigtige sikkerhedsanvisninger: Anvend grydelapper, tag låg og forseglinger af beholdere og fade af, vær ekstra forsigtig med emballager (f.eks. selvopvarmende materialer), som holder madvarer friske, da de kan blive ekstremt varme.

Andre advarsler

Forsøg aldrig at modificere ovnen på nogen måde.

Flyt ikke på ovnen, når den er i brug.

Denne ovn er beregnet til brug i husholdningen. Denne ovn er kun til tilberedning af mad og må kun bruges til tilberedning af mad og drikkevarer. Tørring af fødevarer eller tøj og opvarmning af varmeguler, tøfler, svampe, fugtige klude og lignende kan medføre risiko for personskade, antændelse eller brand.

Den er ikke egnet til kommerciel eller laboratoriebrug.

For at tilsikre problemfri anvendelse og eliminere risiko for skader.

Anvend aldrig ovnen, hvis den er tom. Ved anvendelse af et bruningsfad eller selvopvarmende materialer skal man altid placere en varmeisolerende tallerken, f.eks. af porcelæn, nedeunder for ikke at risikere at skade drejetallerkenen og ovenbunden som følge af varmeudviklingen. Foropvarmningstiden, der angives for madvarerne, må ikke overskrides.

Anvend ikke køkkenredskaber af metal, da de reflekterer mikrobølgerne og kan forårsage elektrisk buedannelse. Stil ikke konservesdåser i ovnen.

Sådan forhindres det, at drejetallerkenen eller ovenbunden knækker:

- a) Inden rengøring med vand skal du lade den køle af.
- b) Læg ikke varm mad eller varme køkkenredskaber på en kold drejetallerken eller ovenbund.
- c) Læg ikke noget på ovenns yderkappe, når ovnen anvendes.

BEMÆRK:

Brug ikke plastbeholdere til mikrobølger, hvis ovnen stadig er varm efter brug med kombinationstilstand (afhængigt af ovenmodel), da de kan smelte.

Plastbeholdere må ikke anvendes under ovennævnte anvendelse.

delsesfunktioner, medmindre producenten af beholderen siger, at de er egnede.

Hvis du ikke er sikker på, hvordan ovnen tilsluttes korrekt til strømnettet, bør du kontakte en uddannet elektriker.

Hverken producenten eller forhandleren tager noget ansvar for skader på ovnen eller personskader, der opstår som følge af skødesløshed ved tilslutning til nettet.

Vanddamp og -dråber kan ind imellem dannes på ovnens vægge og omkring ovnlågens forsegling og kontaktoverflader. Dette er normalt, og er ikke tegn på, at mikrobølger lækker, eller at der er en anden fejl.

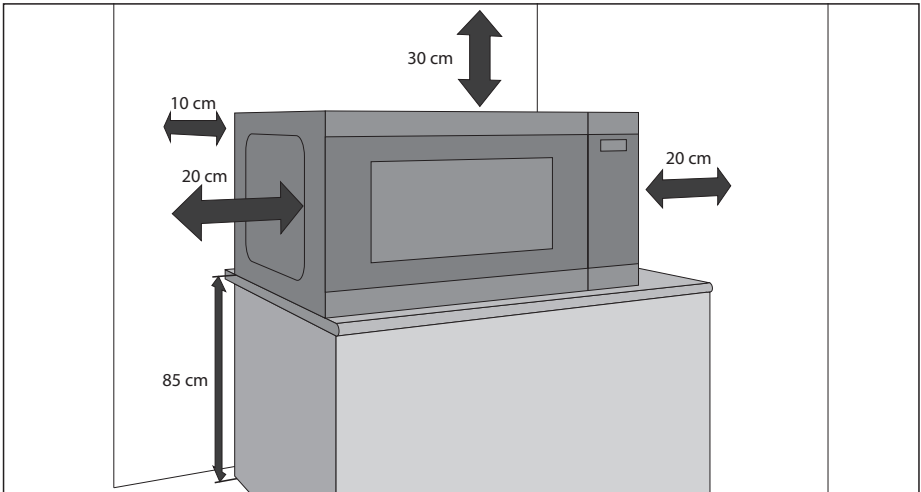
Dette apparat er beregnet til brug i hjemmet og lignende steder som f.eks.: Køkkenområder forbeholdt personale i butikker, kontorer og andre professionelle miljøer/gårde/brug af gæster på hoteller, moteller og andre værelser til udlejning/Bed and breakfast-typer.



Dette symbol betyder, at overfladerne er tilbøjelige til at blive varme under brug.

INSTALLATION

1. Fjern alt indpakning fra indersiden af ovnrummet og den beskyttende film der findes på mikrobølgeovens kabinetoverflade.
2. Kontroller ovnen grundigt for evt. skader.
3. Placér ovnen på en sikker og plan overflade, der er stærk nok til at klare ovnens vægt, plus den tungeste genstand, der sandsynligvis vil blive tilberedt i ovnen. Placér ikke ovnen i et skab.
4. Vælg en jævn overflade der har plads nok til luftindtag- og/eller udsugningsåbninger. Se billedet på første side. Bagsiden af ovnen kan placeres mod en væg.
 - Den mindste installationshøjde er 85 cm.
 - Der skal minimum være 20 cm mellem mikroovnens sider og alle tilstødende vægge eller genstande.
 - Lad der være et frirum på minimum 30 cm over ovnen.
 - Fjern ikke fødderne fra bunden af ovnen.
 - Hvis indsugnings- og/eller udløbsåbningerne blokeres, kan det beskadige ovnen.
 - Anbring ovnen så langt væk fra radioer og tv som muligt. Brug af mikrobølgeovnen kan forårsage interferens i din radio- eller tv-modtagelse.



5. Sæt kontakten korrekt i en jordet stikkontakt i væggen.

ADVARSEL:

Anbring ikke ovnen, hvor der genereres varme, fugt eller høj luftfugtighed, (for eksempel tæt på eller over en almindelig ovn) eller i nærheden af brændbare materialer (for eksempel gardiner).

Undlad at blokere ventilationsåbningerne.

Anbring ikke genstande oven på ovnen.

Rør ikke ved ydersiden af mikrobølgeovnen under eller kort tid efter brug, da den vil være varm.

RADIOINTERFERENS

Brug af mikrobølgeovnen kan forårsage interferens med radio, TV eller lignende udstyr. Når der er interferens, kan den reduceres eller elimineres ved at tage følgende forholdsregler:

1. Rengør døren og ovnrummet, hvor de mødes.
2. Skift retning på radioens eller tv'ets modtagerantenne.
3. Flyt mikrobølgeovnen i forhold til modtageren.
4. Sæt mikrobølgeovnen i en anden stikkontakt, så mikrobølgeovnen og modtageren er på forskellige grupper.

VEJLEDNING OM JORDFORBINDELSER

Apparatet skal være jordet. Denne ovn er udstyret med en ledning med jordforbindelse og et jordstik. Den skal være tilsluttet en stikkontakt, der er korrekt installeret og jordet. I tilfælde af en elektrisk kortslutning reducerer jording risikoen for elektrisk stød ved at levere en flugtleddning til den elektriske strøm. Det anbefales, at der anvendes en separat gruppe, som kun betjener ovnen.



ADVARSEL: Forkert brug af jordstikket kan medføre risiko for elektrisk stød.

BEMÆRK:

1. Hvis du har spørgsmål om jording eller elektriske instruktioner, skal du kontakte en autoriseret elektriker eller servicetekniker.
2. Hverken producenten eller forhandleren tager noget ansvar for skader på ovnen eller personskader, der opstår som følge af skodeløshed ved tilslutning til nettet.

Den netledning, der anvendes i mikrobølgeovnen, anvender følgende farvekodede ledninger:

Grøn og gul = JORD

Blå = NUL

Brun = FASE

SPECIFIKATIONER

Modelnavn:	YC-PS204A	YC-PS234A	YC-PS254A	YC-PG204A	YC-PG234A	YC-PG254A	YC-PG284A		
Vekselstrømspænding	230–240 V, 50 Hz enkeltfaset								
Strømsikring/overstrømsbeskyttelse	10 A								
Effekt:	Mikrobølge	700 W	900 W	900 W	700 W	900 W	900 W	900 W	
	Grill				900 W	1000 W	1000 W	1000 W	
	Standby-tilstand	< 0,5 W							
	Energisparetilstand	> 0,5 W							
	Krævet vekselstrøms effekt	1200 W	1400 W	1400 W	1400 W	1400 W	1400 W	1400 W	
Mikrobølgefrekvens	2450 MHz*								
Uvendige mål (B) x (H) x (D) mm	455 x 274 x 334	483 x 281 x 377	483 x 281 x 403	455 x 274 x 345	483 x 281 x 395	483 x 281 x 403	539 x 309 x 441		
Ovnrummets mål (B) x (H) x (D)** mm	315 x 198 x 297	340 x 220 x 320	340 x 220 x 344	315 x 198 x 297	340 x 220 x 320	340 x 220 x 344	354 x 220 x 358		
Ovnråbilitet	20 liter**	23 liter**	25 liter**	20 liter**	25 liter**	25 liter**	28 liter**		
Drejetalrkenens diameter	245 mm	270 mm	270 mm	245 mm	270 mm	270 mm	325 mm		
Grillrist størrelse (B) x (D) mm				190 x 79	80 x 208	80 x 208	89 x 285		
Vægt	ca. 10,5 kg	ca. 12,9 kg	ca. 13,5 kg	ca. 10,9 kg	ca. 13,9 kg	ca. 13,7 kg	ca. 16,6 kg		
Ovnlampe (LED-type)	1,5 W								

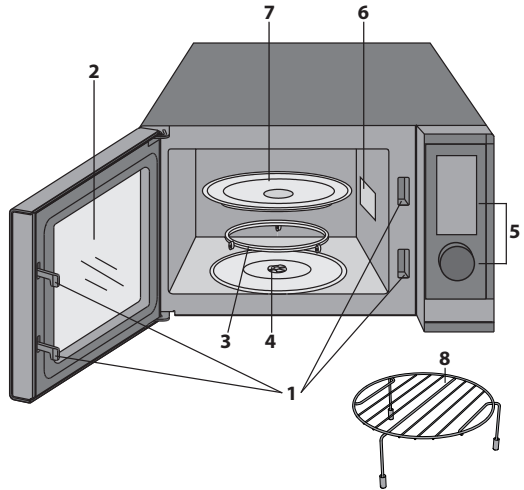
* - Dette produkt opfylder kravene i den europæiske standard EN55011. I overensstemmelse med denne standard er dette produkt klassificeret som gruppe 2 klasse B-udstyr.

Gruppe 2 betyder, at udstyret vedligeholder højfrekvensenergi i form af elektromagnetisk stråling til varmebehandling af fødevarer. Klasse B-udstyr betyder, at udstyret er egnet til brug i private hjem.

** - Den indvendige kapacitet er beregnet med maks. mål for bredde, dybde og højde. Den faktiske kapacitet for næringsmidler er mindre. SOM EN DEL AF EN POLITIK OM KONTINUERLIG FORBEDRING FORBEHOLDER VI OS RET TIL AT ÆNDRE DESIGNET OG SPECIFIKATIONERNE UDEN VARSEL.

OVN OG TILBEHØR

1. Dørsikkerhedslåsesystem
2. Ovnrudd
3. Drejefod
4. Kobling til drejetallerken
5. Drejhjul og kontrolknapper
6. Bølgelederdæksel (Må ikke fjernes)
7. Glastallerken
8. Grillrist til YC-PG204A, YC-PG234A, YC-PG254A and YC-PG284A
9. Ventilationsåbninger
10. Yderkappe
11. Strømforsyningskabel



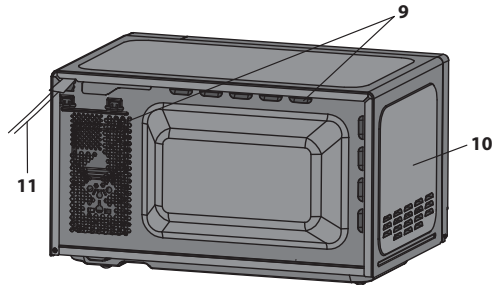
Kontroller, at følgende dele medfølger:

Kun grillovne:

- **Grillrist** – kun til brug ved tilberedning med grillfunktionen.
- Grillristen er kun beregnet til brug sammen med grillovne. Brug IKKE risten, når mikrobølgefunktionen anvendes.
- Se afsnittene om GRILL i brugervejledningen vedrørende brug af grillristen.

Rør aldrig grillen, når den er varm.

BEMÆRK: Ved bestilling af tilbehør bedes du opgive to ting: delens navn og modelnavnet.



BEMÆRKNINGER:

- Efter tilberedning af fedtholdige madvarer, uden tildækning, skal ovnrummet altid rengøres grundigt. Det skal være tørt og frit for fedt. Aflejret fedt kan blive overophedet og begynde at ryge eller bryde i brand.
- Når du bruger mikrobølger, skal du altid sætte grejet på drejetallerkenen.
- Brug IKKE grillristen, når du kun bruger mikrobølger.

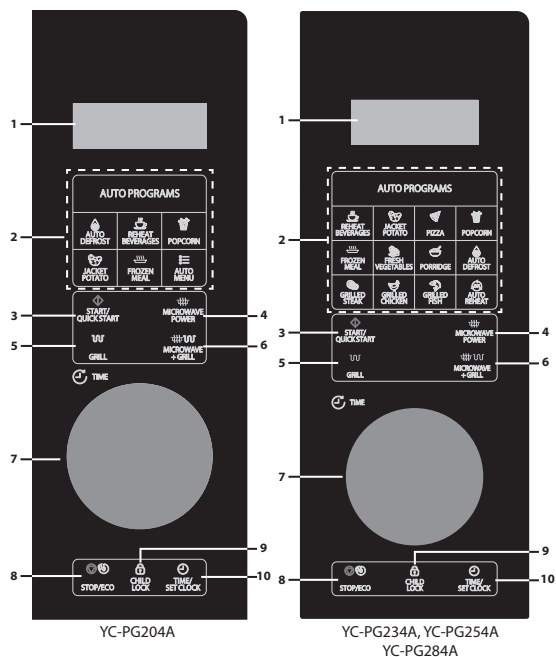
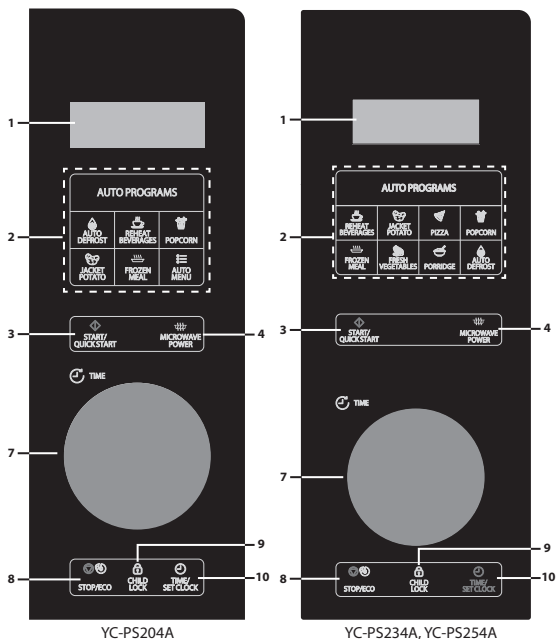


ADVARSEL: Dette symbol betyder, at overfladerne er tilbøjelige til at blive varme under brug. Lågen, yderkappen, ovnrummet, tilbehør og fade bliver meget varme under brugen. Brug altid tykke grydelapper for at forhindre forbrændinger.



BETJENINGSPANEL

- DIGITALT DISPLAY** - Tilberedningstid, effekt, indikatorer og klokkeslæt vises.
- AUTO MENU-taster** - Tryk for at vælge menuen til automatisk tilberedning. (Se side 19 for råd om brug).
- START/QUICK START (START/ KVIKSTART)** - (Side 17).
- MICROWAVE POWER (MIKROBØLGEEFFEKT)** - Tryk for at vælge mikrobølgeeffekt. (Side 16).
- GRILL** - Tryk for at vælge grilltilberedningsprogram. (Side 17).
- MICROWAVE+GRILL (MIKROBØLGE+GRILL)** - Tryk for at vælge mikrobølge og grillkombinationsprogrammet. (Page 18).
- DREJEHJUL** - Drej med eller mod uret for at indstille forskellige funktioner.
- STOP/ECO (STOP/ØKO)** - Tryk én gang for midlertidigt at stoppe tilberedningen, eller to gange for helt at annullere tilberedningen. Bruges til at indstille strømbesparelsestilstand. (Side 23).
- CHILD LOCK (BØRNESIKRING)** - (Side 24).
- TIME/SET CLOCK (KLOKESLÆT/INDSTIL UR)** - Bruges til at indstille klokkeslættet. Bruges til at indstille timerfunktionen. (Side 15).



FØR BRUG AF OVNE

Når ovnen tilsluttes første gang, høres et bip, og displayet viser "1:00". Bemærk, at klokkeslættet ikke behøver at være indstillet for at ovnen kan fungere korrekt. For at indstille klokkeslættet skal du følge instruktionerne i afsnittet "Indstilling af uret" i brugervejledningen.

Når grillen benyttes første gang som ny, vil grillen afgive røg og lugt. For at undgå dette, når der tilberedes mad, kan du anvende grillfunktionen uden madvarer i ca. 20 minutter.

- Når ovnlågen er åbnet og lukket, går ovnen i standby-tilstand. Hvis der ikke trykkes på nogen knapper inden for 1 minut, forbliver displayet tændt, og knapperne fungerer ikke. Åbn og luk ovnlågen for at skifte til standbytilstand igen.
- Hvis der under tilberedningen trykkes på **STOP/ECO** knappen én gang, vil tilberedningen sættes på pause. For at genoptage tilberedningen skal du trykke på **START/QUICK START** (start/kvikstart) knappen. Hvis **STOP/ECO** knappen bliver trykket på to gange, bliver tilberedningen annulleret.
- Når ovnen programmeres til en bestemt funktion, og der er en pause mellem knaptryk på mere end 30 sekunder, vender ovnen tilbage til standbytilstand.
- Når en tilberedningscyklus er afsluttet, viser displayet "End" og en tone kan høres hvert andet minut, indtil der trykkes på en knap, eller ovnlågen åbnes.

INDSTILLING AF UR

Denne ovn har et ur, der kan bruges i enten 12- eller 24-timers tilstand. Følg instruktionerne nedenfor for at indstille uret:

1. I standbytilstand skal du holde **TIME/SET CLOCK** (klokkeslæt/indstil ur)-knappen nede i mindst 3 sekunder for at åbne urindstillingstilstand.
 2. Tryk på **TIME/SET CLOCK** (klokkeslæt/indstil ur) -knappen for at vælge 12- eller 24-timers urtilstand.
 3. Drej på **DREJHJULET** for at indstille timetallet. Tryk på **TIME/SET CLOCK** (klokkeslæt/indstil ur) knappen for at gemme værdien.
 4. Drej på **DREJHJULET** for at indstille minuttallet. Tryk på **TIME/SET CLOCK** (klokkeslæt/indstil ur) knappen for at gemme værdien og forlade urindstillingstilstanden.
- Det er ikke nødvendigt at indstille uret, for at ovnen kan fungere normalt.
 - Hvis du vil se, hvad klokken er (hvis tiden er indstillet), mens du er i tilberedningstilstand, skal du trykke på **TIME/SET CLOCK** (klokkeslæt/indstil ur) knappen.. Klokkeslættet vil skifte tilbage til nedtællingstiden for tilberedningen efter 5 sekunder. Bemærk, at klokkeslættet ikke kan ses, hvis køkkentimeren er blevet indstillet.

MIKROBØLGETILBEREDNING

Du skal følge instruktionerne nedenfor for at bruge mikrobølgefunktionen:

1. Du skal i standbytilstand trykke på **MICROWAVE POWER** (mikrobølgeeffekt) knappen for at vælge effektniveauet. Hver gang der trykkes på knappen, viser displayet mikrobølgeeffektniveauet.
2. Når det ønskede effektniveau for mikrobølgeovnen er nået, skal du dreje på **JOG DIAL** (drejehjulet) for at vælge to det tidspunkt, hvor tilberedningen skal finde sted.
3. Tryk på **START/QUICK START** (start/kvikstart) knappen for at påbegynde tilberedningen.
4. Når en tilberedningscyklus er afsluttet, viser displayet "**End**" og en tone kan høres hvert andet minut, indtil der trykkes på en knap, eller ovnlågen åbnes.

Bemærk, at nedenstående tabel er vejledende. Din ovn har 10 mikrobølgeeffekt niveauer. Disse er 10%, 20%, 30%, 40%, 50%, 60%, 70%, 80%, 90% og 100 %. Den faktiske effekt kan beregnes ved at gange mikrobølgekraften med procentdelen.

Mikrobølgetilberedningsvejledning:

Display	Mikrobølgeeffekt	Anbefalet brug
P100	100 %	Anvendes til hurtig opvarmning eller genopvarmning af f.eks. gryderetter, varme drikke, grøntsager osv.
P-80	80 %	Anvendes til kompakte madvarer, der kræver længere tilberedning ved normal tilberedning, f.eks. oksekødsretter. Dette effektniveau tilrådes for at sikre, at kødet bliver mørt.
P-60	60 %	Bruges til længerevarende madlavning med kompakte fødevarer som f.eks. stege, farsbrød og portionsmåltider, også til følsomme retter som f.eks. ostesauce og sandkager.
P-40	40 %	Anvendes til optøning. Anvend dette effektniveau for at sikre, at retten optøs jævnt. Denne indstilling er også ideel til simrende ris, pasta, melboller og til tilberedning af æggecreme.
P-20	20 %	Anvendes til langsom optøning, f.eks. af crème gateaux og kager.

- Under tilberedningen kan du kontrollere effektniveauet ved at holde **MICROWAVE POWER** (mikrobølgeeffekt) knappen nede.
- Den længste tilberedningstid er 95 minutter.

HURTIGSTART

Hvis du har brug for at tilberede ved 100 % effektniveau, skal du blot trykke på **START/QUICK START** (start/kvikstart) knappen på **JOG DIAL** (drejehjulet) i standbytilstand. Hver gang **START/QUICK START** (start/kvikstart) knappen bliver trykket på, vil lægge 30 sekunder til tilberedningstiden.

GRILLTILBEREDNING*

Grillvarmelegemet øverst i ovnrummet har kun én effektindstilling. Dette er effektivt og økonomisk. Grill er ideelt til tilberedning af bacon, skinkesteg, fiskefingre og tørkager.

Brug grillristen til at grille små madvarer som bacon og pølser. Vend dem halvvejs gennem grilningen. Maden kan anbringes direkte på risten eller anbringes i et fad eller på en varmeresistent plade. For at sikre, at fedt eller olie, der kan dryppe fra maden, der tilberedes, skal du sørge for, at der er placeret en passende bakke under grillristen.

Når du bruner og sprødgør overfladen af madvarer i en gryderet, kan du bruge din Grillrist, hvis beholderen er flad nok. Det anbefales dog at placere sådanne beholdere direkte på drejetallerkenen, så der er lidt ekstra tid til at brune og sprødgøre, som det ønskes. Det er ikke muligt at bruge grillristen til grilning.

Du skal følge instruktionerne nedenfor for at bruge grillfunktionen:

1. Tryk i standbytilstand på **GRILL** knappen for at vælge grillfunktionen. Displayet vil vise "**Grill**".
2. Drej **JOG DIAL** drejehjulet for at vælge tiden for tilberedningen.
3. Tryk på **START/QUICK START** (start/kvikstart) knappen for at påbegynde tilberedningen.
4. Når tilberedningscyklussen er afsluttet, viser displayet "**End**" og en tone kan høres hvert andet minut, indtil der trykkes på en knap, eller ovnlågen åbnes.

* - Kun for modeller med grill.

MIKROBØLGE + GRILL*

Med både mikrobølge- og grillfunktionen er det muligt at brune og tilberede maden hurtigt. Følg instruktionerne nedenfor for at bruge mikrobølge- og grillfunktionen:

1. I standbytilstand skal du trykke på **MICROWAVE + GRILL** (mikrobølge- + grill) én eller to gange for at vælge "Co-1" eller "Co-2".
2. Drej **JOG DIAL** (drejehjulet) for at indstille tilberedningstiden.
3. Tryk på **START/QUICK START** (start/kvikstart) for at starte.
4. Når en tilberedningscyklus er afsluttet, viser displayet "End" og en tone kan høres hvert andet minut, indtil der trykkes på en knap, eller ovnlågen åbnes.

Mikrobølge- + grillfunktion

Display	Effekt	Anbefalet brug
Co-1	70 % grill/30 % mikrobølge	Kyllingestykker, kyllingebryst, svinekoteletter
Co-2	56 % grill/44 % mikrobølge	Hel kylling

- Maksimal tilberedningstid med grill er 95 minutter.
- Under grilningen kan røg eller lugte spredes ved at åbne et vindue eller tænde for emhætten. Dette er normalt og ikke en fejl i ovnen.
- Under tilberedningen kan du kontrollere den aktuelle kombinationseffekt ved at trykke på **MICROWAVE + GRILL** (mikrobølge + grill) knappen.
- Når du bruger grillfunktionen, tændes og slukkes grillen med jævne mellemrum for at undgå overophedning.
- Når DU bruger MIKROBØLGE- og GRILLfunktionen, kan maden anbringes i en egnet beholder direkte på ovnens drejetallerken eller på den medfølgende Grillrist.

ADVARSEL: Ovnlågen, kabinettet, ovnrummet og tilbehør og fade bliver meget varme under brug af ovnen. Brug altid tykke ovnhandsker for at undgå forbrændinger.

* - Kun for modeller med grill.

AUTO MENU

For at gøre det nemt giver Auto-programmerne mulighed for at lave mad hurtigt og effektivt med kun nogle få knaptryk. Det er ikke nødvendigt at programmere varigheden og effekten. Det eneste, der kræves, er at trykke på den ønskede knap til automatisk tilberedning, indtaste vægt/stykker ved at dreje **JOG DIAL** (drejhjulet) og derefter trykke på **START/QUICK START** (start/kvikstart) knappen.

For eksempel tilberedning af to bagte kartofler.

1. Åbn ovnlågen, og sæt maden i ovnen ved hjælp af ovenudstyr, der passer til den tilberedningscyklus, der anvendes.
2. Luk ovnlågen.
3. Tryk én gang på knappen **JACKET POTATO** (bagt kartoffel).
4. Drej **JOG DIAL** (drejhjulet) for at angive antal kartofler.
5. Tryk på **START/QUICK START** (start/kvikstart) knappen.
6. Når en tilberedningscyklus er afsluttet, viser displayet "**End**" og en tone kan høres hvert andet minut, indtil der trykkes på en knap, eller ovnlågen åbnes.

Auto-tilberedningsmenuer:

Auto-program	Størrelse/vægt
Frossent måltid Automatisk optøning Automatisk genopvarmning	Vælg vægten ved at dreje på JOG DIAL (drejhjulet). Frossen mad og automatisk genopvarmning (200 to 800 g), Auto-optøning (100 til 1800 g)
Genopvarm drikke	Vælg antal kopper (200 ml i hver) ved at dreje på JOG DIAL (drejhjulet). 1 til 3 kopper.
Bagt kartoffel	Vælg antal kartofler (230 g hver) ved at dreje på JOG DIAL (drejhjulet) knappen. 1 eller 2 kartofler.
Pizza	Vælg pizzaens vægt (150 g / 300 g / 450 g) ved at dreje på JOG DIAL (drejhjul) knappen.
Popcorn	Vælg antal popcornspakker (100 g i hver) ved at dreje på JOG DIAL (drejhjulet).
Friske grøntsager	Vælg grøntsagernes vægt (200 g til 600 g) ved at dreje på JOG DIAL (drejhjul) knappen.
Grød	Vælg grødens vægt (i gram) ved at dreje på JOG DIAL (drejhjul) knappen. 50 til 150 g.
Grillbøf (kun grillmodeller)	Vælg bøffens vægt (200 g til 600 g) ved at dreje på JOG DIAL (drejhjul) knappen.
Grillet kylling (kn grillmodeller)	Vælg kyllingens vægt (200 g til 600 g) ved at dreje på JOG DIAL (drejhjul) knappen.
Grillet fisk (kun grillmodeller)	Vælg fiskens vægt (200 g til 600 g) ved at dreje på JOG DIAL (drejhjul) knappen.

- Resultatet af automatisk tilberedning afhænger af faktorer som form og størrelse af madvarerne, din personlige præference og hvor gennemstegt for bestemte fødevarer, og hvordan maden placeres i ovnen. Hvis resultat af tilberedningen ikke er tilfredsstillende, skal du justere tilberedningstiden, så den passer til dine præferencer.

Bemærk: Knappen Auto Menu (automatisk menu) bruges kun i YC-PG204A og YC-PS204A modellerne. Hver gang der trykkes på knappen Auto Menu, vil displayet vise det automatiske program, som ses i tabellen ovenfor. Når den ønskede Auto Menu er fundet, skal du dreje på **JOG DIAL** (drejhjulet) for at vælge vægten af den mad, der skal tilberedes.

Automatiske programoplysninger

Madvarer	Mængde	Starttemperatur	Tilberedningsteknikker
Genopvarm drikke	1 til 3 kopper 1 kop = 200 ml	Område	<ol style="list-style-type: none"> 1. Anbring den drik, der skal opvarmes, i midten af mikrobølgeovens glasdrejetallerken 2. Luk døren, og tryk på knappen REHEAT BEVERAGES (genopvarm drikkevarer), og vælg antallet af kopper ved at dreje DREJEKNAPPEN. 3. Tryk på knappen START/QUICK START (start/kvikstart) for at påbegynde tilberedningen. 4. Når timeren stopper, skal du fjerne din drik. Vær forsigtig, da din drik vil være varm.
Bagte kartofler i svøb	1 til 2 kartofler 1 kartoffel = 230 ± 10 g.	Område	<ol style="list-style-type: none"> 1. Vask og tør kartoflen(erne), og prik overfladen af kartoflerne med en gaffel flere gange. 2. Anbring kartoflen (erne) i midten af mikrobølgeovens glasdrejetallerken. 3. Luk døren, og tryk på knappen JACKET POTATO (bagt kartoffel), og vælg antal kartofler ved at dreje på Drejehjulet. 4. Tryk på knappen START/QUICK START (start/kvikstart) for at påbegynde tilberedningen. 5. Når timeren stopper, skal du fjerne kartoflen (erne). Vær forsigtig, da din maden vil være varm.
Pizza	150 til 450 g	Frosset -18 °C	<ol style="list-style-type: none"> 1. Anbring pizzaen på en mikrobølgevisker plade i midten af mikrobølgeovens glasdrejetallerken. 2. Luk døren, og tryk på knappen PIZZA, og vælg vægten ved at dreje DREJEKNAPPEN. 3. Tryk på knappen START/QUICK START (start/kvikstart) for at påbegynde tilberedningen. 4. Når timeren stopper, skal du tage pizzaen ud af mikroovnen. Vær forsigtig, da maden vil være varm.
Popcorn	100 g	Område	<ol style="list-style-type: none"> 1. Anbring popcornene på midten af mikrobølgeovens glasdrejetallerken. 2. Luk døren, og tryk på knappen POPCORN. 3. Tryk på knappen START/QUICK START (start/kvikstart) for at påbegynde tilberedningen. 4. Når timeren stopper, skal du tage popcornene ud af mikrobølgeovnen. Vær forsigtig, da maden vil være varm.
Frosset måltid	200 til 800 g	Frosset -18 °C	<ol style="list-style-type: none"> 1. Læg det frosne måltid i et fad, der kan tåle mikrobølger, og tildæk med husholdningsfilm. Prik huller i filmen. 2. Anbring fadet midt på mikrobølgeovens glasdrejetallerken. 3. Luk døren, og tryk på knappen FROZEN MEAL (frosset mad), og vælg vægten ved at dreje på drejehjulet. 4. Tryk på knappen START/QUICK START (start/kvikstart) for at påbegynde tilberedningen. 5. Når timeren er stoppet, skal du tage maden ud af mikrobølgeovnen og servere den. Vær forsigtig, da maden vil være varm.
Friske grøntsager	200 til 600 g	Område	<ol style="list-style-type: none"> 1. Vask og skær grøntsagerne i små stykker. 25-30 mm i længden og 10 mm i tykkelse. 2. Læg stykkerne i et fad, der kan tåle mikrobølger, og tildæk med husholdningsfilm. Prik huller i filmen. 3. Anbring fadet midt på mikrobølgeovens glasdrejetallerken. 4. Luk døren, og tryk på knappen FRESH VEGETABLES (frosne grøntsager), og vælg vægten ved at dreje på drejehjulet. 5. Tryk på knappen START/QUICK START (start/kvikstart) for at påbegynde tilberedningen. 6. Når timeren er stoppet, skal du tage maden ud af mikrobølgeovnen og servere den. Vær forsigtig, da maden vil være varm.
Grød	50 til 150 g	Område	<ol style="list-style-type: none"> 1. Bland havregryn og mælk i en skål. Foreslå 180 ml mælk pr. 50 g havregryn. 2. Anbring skålen på midten af mikrobølgeovens glasdrejetallerken. 3. Luk døren, og tryk på knappen PORRIDGE (grød), og vælg vægten ved at dreje DREJEHJULET. 4. Tryk på knappen START/QUICK START (start/kvikstart) for at påbegynde tilberedningen. 5. Når timeren er stoppet, tages grøden ud og serveres.
Automatisk genopvarmning	200 til 800 g	Kolet 5 °C	<ol style="list-style-type: none"> 1. Anbring de kolde ris eller pastaen i en skål, der kan tåle mikrobølger, og dæk den til med husholdningsfilm. Prik huller i filmen. 2. Anbring skålen på midten af mikrobølgeovens glasdrejetallerken. 3. Luk døren, og tryk på knappen AUTO REHEAT (frosset mad), og vælg vægten ved at dreje på drejehjulet. 4. Tryk på knappen START/QUICK START (start/kvikstart) for at påbegynde tilberedningen. 5. Når timeren er stoppet, tages grøden ud og serveres.
Grillet bøf	200 til 600 g	Område	<ol style="list-style-type: none"> 1. Læg bøffen på grillristen, som er dækket med bagepapir. 2. Anbring grillristen på midten af mikrobølgeovens glasdrejetallerken. 3. Luk døren, og tryk på knappen GRILLED STEAK (Grillet bøf), og vælg vægten ved at dreje på DREJEHJULET. 4. Tryk på knappen START/QUICK START (start/kvikstart) for at påbegynde tilberedningen. 5. Efter to tredjedele af tilberedningstiden skal du åbne døren for at vende bøffen, og derefter lukke døren og fortsætte tilberedningen. 6. Når timeren er stoppet, skal du tage bøffen ud og servere den. Vær forsigtig, da maden vil være varm.
Grillede kyllingestykker	200 til 600 g	Område	<ol style="list-style-type: none"> 1. Læg kyllingestykkerne på grillristen, som er dækket med bagepapir. 2. Anbring grillristen på midten af mikrobølgeovens glasdrejetallerken. 3. Luk døren, og tryk på knappen GRILLED CHICKEN (Grillet kylling), og vælg vægten ved at dreje på DREJEHJULET. 4. Tryk på knappen START/QUICK START (start/kvikstart) for at påbegynde tilberedningen. 5. Efter to tredjedele af tilberedningstiden skal du åbne døren for at vende maden, og derefter lukke døren og fortsætte tilberedningen. 6. Når timeren er stoppet, skal du tage maden ud og servere den. Vær forsigtig, da maden vil være varm.
Grillede stykker fisk	100 til 500 g	Område	<ol style="list-style-type: none"> 1. Læg fiskestykkerne på grillristen, som er dækket med bagepapir. 2. Anbring grillristen på midten af mikrobølgeovens glasdrejetallerken. 3. Luk døren, og tryk på knappen GRILLED FISH (Grillet fisk), og vælg vægten ved at dreje på DREJEHJULET. 4. Tryk på knappen START/QUICK START (start/kvikstart) for at påbegynde tilberedningen. 5. Efter to tredjedele af tilberedningstiden skal du åbne døren for at vende fiskestykkerne, og derefter lukke døren og fortsætte tilberedningen. 6. Når timeren er stoppet, skal du tage maden ud og servere den. Vær forsigtig, da maden vil være varm.

Bemærk	Ovntilstand og anvendt metode	YC-PS204A	YC-PS234A og YC-PS254A	YC-PG204A	YC-PG234A, YC-PG254A og YC-PG284A
	Mikrobølger kun ved 100 %	1 kop - 1:40 minutter 2 kopper: 3:00 minutter 3 kopper: 4:20 minutter	1 kop - 1:30 minutter 2 kopper: 2:40 minutter 3 kopper: 3:50 minutter	1 kop - 1:40 minutter 2 kopper: 3:00 minutter 3 kopper: 4:20 minutter	1 kop - 1:30 minutter 2 kopper: 2:40 minutter 3 kopper: 3:50 minutter
	Mikrobølger kun ved 100 %	1 kartoffel - 6:00 minutter 2 kartofler: 9:00 minutter 3 kartofler: 13:00 minutter	1 kartoffel - 5:00 minutter 2 kartofler: 8:00 minutter 3 kartofler: 12:00 minutter	1 kartoffel - 6:00 minutter 2 kartofler: 9:00 minutter 3 kartofler: 13:00 minutter	1 kartoffel - 5:00 minutter 2 kartofler: 8:00 minutter 3 kartofler: 12:00 minutter
På YC-PS204A og YC-PG204A skal der trykkes på knappen AUTO MENU, indtil programmet vises.	Mikrobølger kun ved 100 %	150 g - 1:00 minutter 300 g - 1:30 minutter 450 g - 2:00 minutter	150 g - 0:50 minutter 300 g - 1:20 minutter 450 g - 1:50 minutter	150 g - 1:00 minutter 300 g - 1:30 minutter 450 g - 2:00 minutter	150 g - 0:50 minutter 300 g - 1:20 minutter 450 g - 1:50 minutter
	Mikrobølger kun ved 100 %	100 g: 3:00 minutter	100 g: 2:00 minutter	100 g: 3:00 minutter	100 g: 2:30 minutter
	Mikrobølger ved 100 % i halvdelen af tiden, derefter 0% i en sjettedel af tiden og endelig 100 % i en tredjedel af tiden	200 g: 8:00 minutter 400 g: 11:00 minutter 600 g: 15:00 minutter 800 g: 18:00 minutter	200 g: 6:00 minutter 400 g: 9:00 minutter 600 g: 13:00 minutter 800 g: 16:00 minutter	200 g: 8:00 minutter 400 g: 11:00 minutter 600 g: 15:00 minutter 800 g: 18:00 minutter	200 g: 6:00 minutter 400 g: 9:00 minutter 600 g: 13:00 minutter 800 g: 16:00 minutter
På YC-PS204A og YC-PG204A skal der trykkes på knappen AUTO MENU, indtil programmet vises.	Mikrobølger kun ved 100 %	200 g: 3:30 minutter 300 g: 4:30 minutter 400 g: 5:30 minutter 500 g: 6:30 minutter 600 g: 7:30 minutter	200 g: 3:00 minutter 300 g: 4:00 minutter 400 g: 5:00 minutter 500 g: 6:00 minutter 600 g: 7:00 minutter	200 g: 3:30 minutter 300 g: 4:30 minutter 400 g: 5:30 minutter 500 g: 6:30 minutter 600 g: 7:30 minutter	200 g: 3:00 minutter 300 g: 4:00 minutter 400 g: 5:00 minutter 500 g: 6:00 minutter 600 g: 7:00 minutter
På YC-PS204A og YC-PG204A skal der trykkes på knappen AUTO MENU, indtil programmet vises.	Mikrobølgeovn - 100%	50 g: 2:00 minutter 100 g: 3:30 minutter 150 g: 5:30 minutter	50 g: 2:00 minutter 100 g: 3:30 minutter 150 g: 5:30 minutter	50 g: 2:00 minutter 100 g: 3:30 minutter 150 g: 5:30 minutter	50 g: 2:00 minutter 100 g: 3:30 minutter 150 g: 5:30 minutter
På YC-PG204A skal der trykkes på knappen AUTO MENU, indtil programmet vises.	Mikrobølger kun ved 100 %	200 g: 2:00 minutter 300 g: 2:40 minutter 400 g: 3:20 minutter 500 g: 4:00 minutter 600 g: 4:40 minutter 700 g: 5:20 minutter 800 g: 6:00 minutter	200 g: 2:00 minutter 300 g: 2:00 minutter 400 g: 2:30 minutter 500 g: 3:00 minutter 600 g: 3:30 minutter 700 g: 4:00 minutter 800 g: 4:30 minutter	200 g: 2:00 minutter 300 g: 2:40 minutter 400 g: 3:20 minutter 500 g: 4:00 minutter 600 g: 4:40 minutter 700 g: 5:20 minutter 800 g: 6:00 minutter	200 g: 1:30 minutter 300 g: 2:00 minutter 400 g: 2:30 minutter 500 g: 3:00 minutter 600 g: 3:30 minutter 700 g: 4:00 minutter 800 g: 4:30 minutter
På YC-PG204A skal der trykkes på knappen AUTO MENU, indtil programmet vises.	Mikrobølgeovnen arbejder ved 100 % i 10 sekunder, hvorefter grillen tændes i 23 sekunder. Denne cyklus gentages, indtil tilberedningstiden er slut. Mikrobølger og grill er aldrig tændt på samme tid.	Ej relevant	Ej relevant	200 g: 15:00 minutter 300 g: 18:00 minutter 400 g: 21:00 minutter 500 g: 24:00 minutter 600 g: 27:00 minutter	200 g: 15:00 minutter 300 g: 18:00 minutter 400 g: 21:00 minutter 500 g: 24:00 minutter 600 g: 27:00 minutter
På YC-PG204A skal der trykkes på knappen AUTO MENU, indtil programmet vises.	Mikrobølgeovnen arbejder ved 100 % i 10 sekunder, hvorefter grillen tændes i 23 sekunder. Denne cyklus gentages, indtil tilberedningstiden er slut. Mikrobølger og grill er aldrig tændt på samme tid.	Ej relevant	Ej relevant	200 g: 15:00 minutter 300 g: 18:00 minutter 400 g: 21:00 minutter 500 g: 24:00 minutter 600 g: 27:00 minutter	200 g: 15:00 minutter 300 g: 18:00 minutter 400 g: 21:00 minutter 500 g: 24:00 minutter 600 g: 27:00 minutter
På YC-PG204A skal der trykkes på knappen AUTO MENU, indtil programmet vises.	Mikrobølgeovnen arbejder ved 100 % i 10 sekunder, hvorefter grillen tændes i 23 sekunder. Denne cyklus gentages, indtil tilberedningstiden er slut. Mikrobølger og grill er aldrig tændt på samme tid.	Ej relevant	Ej relevant	100 g: 12:00 minutter 200 g: 15:00 minutter 300 g: 18:00 minutter 400 g: 21:00 minutter 500 g: 24:00 minutter	100 g: 12:00 minutter 200 g: 15:00 minutter 300 g: 18:00 minutter 400 g: 21:00 minutter 500 g: 24:00 minutter

AUTOMATISK OPTØNING

Med Automatisk optøning kan du optø maden efter vægt. Optøningstiden og effektniveauet indstilles automatisk, når fødevarer kategorien og vægten er programmeret. Vægten af frosset mad varierer fra 100 g til 1800 g.

1. I standbytilstand skal du trykke på **AUTO DEFROST** (automatisk optøning) knappen.
2. Drej på **JOG DIAL** (drejhjul) knappen for at vælge vægten af den mad, der skal optøes.
3. Tryk på **START/QUICK START** (start/kvikstart) knappen for at påbegynde optøningen.
4. Hvis ovnen holder pause under optøningen, skal du vende maden for at sikre en ensartet optøning og derefter trykke på **START/QUICK START** (start/kvikstart) for at optø i den resterende tid.
5. Når en optøningscyklus er afsluttet, viser displayet "**End**" og en tone kan høres hvert andet minut, indtil der trykkes på en knap, eller ovenlågen åbnes.

Automatisk optøning - Funktion

Model	Vægtområde	Tidsinterval for optøning	Optøningsfunktion	Metode
YC-PG204A	100 til 1800 g	5,5 - 39,5 minutter	Mikrobølgeovnen ved 40 % for 1/3 af tiden, derefter 20 % for de næste 1/3 af tiden. Du anmodes nu om at vende maden. Når den vendes, vil den optø ved 20 % i resten af tiden.	1. Læg det frosne måltid i et fad, der kan tåle mikrobølger, og tildæk med husholdningsfilm. Prik huller i filmen. 2. Anbring fadet midt på mikrobølgeovnens glasdrejetallerken. 3. Luk døren, og tryk på knappen AUTO DEFROST (automatisk optøning), og vælg vægten ved at dreje på drejhjulet. 4. Tryk på knappen START/QUICKSTART (start/kvikstart) for at påbegynde optøningen. 5. Delvist gennem optøningsprogrammet stopper ovnen og anmoder om, at maden vendes. 6. Åbn døren, og vend/rør lidt rundt i maden. Luk døren. 7. Tryk på knappen START/QUICK START for at påbegynde optøningen. 8. Når timeren er stoppet, tages maden ud af ovnen. Kontroller, at maden er helt optøet.
YC-PG204A	100 til 1800 g	5 - 39 minutter		
YC-PS234A og YC-PG234A	100 til 1800 g	5,5 - 39,5 minutter	Mikrobølger ved 20 % i halvdelen af tiden, der høres et signal om at vende madvarerne, og derefter 20 % i den resterende tid.	
YC-PS254A, YC-PG254A og YC-PG284A	100 til 1800 g	3 - 37 minutter	Mikrobølgeovnen ved 30 % for 1/3 af tiden, derefter 20 % for de næste 1/3 af tiden. Du anmodes nu om at vende maden., Når den vendes, vil den optø ved 20 % i resten af tiden.	

AUTO-GENOPVARM*

Med ovnen kan du genopvarme maden efter vægt, som er angivet af brugeren. Genopvarmningstiden og effektniveauet indstilles automatisk, når fødevarer kategorien og vægten er programmeret. Vægten for genopvarmning varierer fra 100 g til 800 g.

1. I standbytilstand skal du trykke på **AUTO REHEAT** (automatisk genopvarmning) knappen.
2. Drej på **JOG DIAL** (drejhjul) knappen for at vælge vægten af den mad, der skal genopvarmes.
3. Tryk på **START/QUICK START** (start/kvikstart) knappen.
4. Når en tilberedningscyklus er afsluttet, viser displayet "**End**" og en tone kan høres hvert andet minut, indtil der trykkes på en knap, eller ovenlågen åbnes.

* - Kun for modeller med grill.

KØKKENTIMER

Ovnen er udstyret med en køkkentimer, som kan tælle ned fra den indstillede tid.

1. Du skal i standbytilstand trykke på **TIME/SET CLOCK** (klokkeslæt/indstil ur) knappen én gang.
2. Drej på **JOG DIAL** (drejehjul) for at indstille den ønskede tid. Den længste tid er 95 minutter.
3. Tryk på **START/QUICK START** (start/kvikstart) knappen for at bekræfte.
4. Displayet tæller ned gennem den indstillede tid.
5. Når displayet når nul, høres en tone.

Det er også muligt at bruge køkkentimeren i tilberedningstilstand. For at gøre dette skal du følge trinnene som beskrevet ovenfor, mens måden tilberedes. Når køkkentimeren er aktiveret, vises den på displayet i fem sekunder, hvorefter displayet vender tilbage til nedtællingstimeren for tilberedningscyklussen. Hvis du vil se timeren igen, skal du trykke på **TIME/SET CLOCK** (Klokkeslæt/indstil ur) knappen én gang, hvorefter køkkentimeren vil kunne ses i fem sekunder, hvorefter den vender tilbage til nedtællingstimeren for tilberedningscyklussen.

- For at annullere **TIMER** programmet skal du trykke på **STOP/ECO** (stop/øko) knappen, og displayet viser nu tiden.
- Hvis en tilberedningscyklus er startet, er det muligt at starte køkkentimeren ved at følge ovenstående trin.

STRØMBESPARENDE FUNKTION

Denne funktion gør det muligt at spare strøm, når ovnen ikke benyttes. For at kunne aktivere denne funktion i standbytilstand skal du trykke på **STOP/ECO** (stop/øko) knappen og holde den nede i 3 sekunder. Displayet slukker. Ovnen skifter til strømbesparelsetilstand.

Du kan annullere strømbesparelsetilstand ved at trykke på en vilkårlig knap eller ved at åbne og lukke ovnlågen.

FUNKTIONEN LYDLØS

Det er muligt at slå alle toner fra i mikrobølgeovnen ved hjælp af funktionen Lydløs. For at indstille funktionen Lydløs skal du trykke på **CHILD LOCK** (børnesikring) knappen én gang. Displayet viser nu "**oFF**" (slået fra) i 5 sekunder. Når ovnen er i tilstanden Lydløs, høres der ingen lyd, når der trykkes på knapperne.

For at slå mute-funktionen fra skal du trykke én gang på **BØRNESIKRING**-knappen, displayet vil vise "**on**" i 5 sekunder for at indikere, at lyden er blevet tændt igen.

Hvis funktionen Lydløs er slået til, og ovnen er frakoblet strømforsyningen, annulleres den, når strømmen tilsluttes igen.

BØRNESIKRINGSLÅS

Dette er en automatisk funktion, der forhindrer uovervåget betjening af ovnen af børn. Hvis der i standbytilstand ingen betjening sker inden for et minut, vil ovnen automatisk overgå til Sikkerhedslåstilstanden, og "**Loc**" (lås) vises i displayet. I den låste tilstand kan knapperne ikke anvendes. Tryk på en vilkårlig knap, så vises låseindikationen i displayet i 5 sekunder for at minde brugeren om at annullere sikringslåsen.

For at slå børnesikringslåsen fra skal du blot åbne og lukke lågen til mikrobølgeovnen, hvorefter tastaturet aktiveres igen, og kontrollampen for låsning slukkes.

BØRNESIKRING

For at aktivere BØRNESIKRINGSLÅSEN skal du trykke på **CHILD LOCK** (børnesikringslås) i 3 sekunder. Der høres nu et langt bip, og displayet vil vise "**Loc**" (låst). Ovnen er nu i BØRNESIKRINGStilstand. I denne tilstand viser displayet uret. Hvis der trykkes på en vilkårlig knap eller ovnlågen åbnes, vil "**Loc**" (låst) kunne ses i 5 sekunder.

Sådan deaktiveres BØRNESIKRINGEN. Tryk på **CHILD LOCK** (børnesikring) knappen i 3 sekunder, indtil et langt bip høres.

RENGØRING OG PLEJE

- Sluk for ovnen, og tag netledningen ud af stikkontakten under rengøring.
- Hold ovnrummet rent. Når der kommer madstænk eller spildt væske på ovnvægge, loft eller bund, skal du tørre efter med en fugtig klud. Milde rengøringsmidler kan anvendes, hvis ovnen bliver meget snavset. Undgå brug af spray eller andre skræppe rengøringsmidler. De kan plette, fremkalde striber eller matgøre lågens overflade.
- Ydersiden af ovnen skal rengøres med en fugtig klud. For at undgå beskadigelse af betjeningsdelene inde i ovnen må der ikke sive vand ind i ventilationsåbningerne.
- Tør lågen og ruden på begge sider, samt dørpakningerne og tilstødende dele regelmæssigt af med en fugtig klud for at fjerne eventuelt spild eller sprøjt.
- Brug ikke slibende rengøringsmidler.
- Rengør ikke med damp.
- Lad ikke kontrolpanelet blive vådt. Rengør det med en blød, fugtig klud. Når kontrolpanelet rengøres, skal du lade ovndøren stå åben for at forhindre, at ovnen tændes ved et uheld.
- Hvis der samler sig damp indenfor eller rundt om ovndørens yderside, skal du tørre den af med en blød klud. Dette kan forekomme, når mikrobølgeovnen anvendes under høj luftfugtighed. Dette er ikke en fejl.
- Drejetallerkenen, drejetallerkenens støtte og koblingen skal rengøres regelmæssigt for at undgå forurening og risiko for gnistdannelse/beskadigelse. Du skal blot tørre med et mildt rengøringsmiddel.
- Fjern lugte fra ovnen ved at blande en kop vand med saft og skal af én citron i en skål, der kan opvarmes i mikroovn. Tænd for mikrobølger i 5 minutter. Tør grundigt af med en blød klud.
- Hvis pæren svigter, skal du kontakte kundeservice for at få råd.
- Ovnens skal rengøres regelmæssigt, og alle madrester skal fjernes. Hvis ovnen ikke holdes ren, kan det føre til ødelæggelse af overfladen, der kan påvirke apparatets levetid og eventuelt føre til en farlig situation.
- Bortskaf ikke dette apparat i skraldespanden. Se de nationale råd om bortskaffelse af denne type produkt.

OVNFAST PORCELÆN OG EGNEDE BEHOLDERE

1. Det ideelle materiale til mikrobølgeredskaber er gennemsigtig for mikroovnen. Dette gør det muligt for energien at passere gennem beholderen og opvarme maden.
2. Mikrobølge kan ikke trænge gennem metal, så metalredskaber eller -skåle med metalbeklædning bør ikke anvendes.
3. Brug ikke genbrugspapirprodukter, når du tilbereder mad i mikrobølgeovne, da de kan indeholde små metalfragmenter, som kan forårsage gnister og/eller brand.
4. Runde/ovale fade i stedet for firkantede/aflange fade anbefales, da mad i hjørner har tendens til at overophedes.
5. Der kan anvendes smalle strimler af aluminiumsfolie for at forhindre overophedning af udsatte områder. Men pas på, brug ikke for meget, og hold en afstand på 2.54 cm mellem folie og ovnrummets overflader

Listen nedenfor er en generel vejledning til at hjælpe dig med at vælge de korrekte redskaber.

Køkkengrej	Mikrobølge Sikker	Grill	Bemærkning
Bruningsfade	✓ / ✗	✗	Følg altid producentens anvisninger. Overstig ikke den angivne opvarmningstid. Vær meget forsigtig, da disse fade bliver meget varme.
Porcelæn og keramik	✓ / ✗	✗	Porcelæn, keramik, glaseret lertøj og benporcelæn er normalt egnede, bortset fra dem med metaldekoration.
Varmebestandigt glas	✓	✓	Vær omhyggelig med at sikre, at alt kogegrej af glas er egnet til brug i en mikrobølgeovn.
Ikke-varmebestandigt glas	✗	✗	
Varmebestandigt stentøj	✓	✓	Sørg for, at alle keramiske artikler ikke er for tykke, eller har for højt et indhold af mineraler.
Mikrobølgesikre plastfade	✓	✗	Kontroller altid, at kogegrej af plast er egnet til brug i en mikroovn.
Køkkenruller	✓ / ✗	✗	Brug kun køkkenruller, ser anbefales til brug i mikrobølgeovne.
Glasvarer f.eks. Pyrex®	✓ / ✗	✓	Vær forsigtig, hvis du bruger fint glas, da det kan gå i stykker eller revne, hvis det opvarmes pludseligt.
Metalbakker	✗	✓	Det anbefales ikke at bruge metalkøkkengrej, da der vil ske buedannelse, hvilket kan føre til brand.
Metalrist	✗	✓	Det anbefales ikke at bruge metalkøkkengrej, da der vil ske buedannelse, hvilket kan føre til brand.
Aluminiumsfolie Foliebeholdere	✓ / ✗	✓	Små stykker alufolie kan bruges til at beskytte maden fra overophedning. Hold folien mindst 2,54cm fra ovnens vægge, da buedannelse kan forekomme. Det anbefales ikke at bruge foliebeholdere, medmindre andet er angivet af producenten, f. eks. Microfoil®. Følg anvisningerne nøje.
Husholdningsfilm	✓	✗	Den må ikke røre maden og skal prikkes i for at lade dampen slippe ud.
Plast/polystyren f.eks. fastfoodbeholdere	✓	✗	Der skal udvises forsigtighed, da nogle beholdere slår sig, smelter eller misfarves ved høje temperaturer.
Fryse-/stegeposer	✓	✗	Skal prikkes i for at lade dampen slippe ud. Kontrollér, at poserne er egnede til brug i mikrobølgeovne
Paptallerkener/-kopper og køkkenrulle	✓	✗	Brug ikke plastik eller metalbånd, da de kan smelte eller bryde i brand på grund af buedannelse.
Strå- og træbeholdere	✓	✗	Brug kun til opvarmning eller til at absorbere fugt. Vær forsigtig, da overophedning kan forårsage brand.
Genbrugspapir og aviser	✗	✗	Vær altid i nærheden af ovnen, når du bruger disse materialer, da overophedning kan forårsage brand. Kan indeholde uddrag af metal, som vil medføre "buedannelse" og kan føre til brand.



ADVARSEL: Ved opvarmning af mad i plast- eller papirbeholdere skal du overvåge ovnen på grund af muligheden for antændelse.

BEMÆRK: Efterlad ikke ovnen uden opsyn, når den er i brug.

GODE RÅD OM TILBEREDNING MED MIKROBØLGER

Mikrobølgeovne tilbereder mad hurtigere end almindelig madlavning. Det er derfor vigtigt, at visse teknikker følges for at sikre gode resultater. Mange af de følgende teknikker svarer til dem, der bruges i konventionel madlavning.



ADVARSEL: Væsker og fødevarer må ikke opvarmes i lukkede beholdere eller krukker/beholdere med låg på, da der dannes et tryk inden i, som kan forårsage at beholderen/krukken eksploderer.

BEMÆRKNINGER VEDRØRENDE TILBEREDNINGSRÅD:

- Vær altid i nærheden af ovnen, når den er i brug.
- Sørg for, at redskaberne er egnet til brug i en mikrobølgeovn.
- Kun bruge mikrobølgepopcorn i den anbefalede emballage (følg producentens anvisninger). Anvend aldrig olie med mindre andet er angivet af producenten og tilbered aldrig længere tid end anvist.



ADVARSEL: Hvis du overskrider de anbefalede tilberedningstider og bruger for høje effekt niveauer, kan maden blive overophedet, brænde på og i ekstreme tilfælde, gå i brand og beskadige ovnen.

Arranger

Placer den tykkeste del af maden mod ydersiden af fadet, f. eks. kyllingelår.

Mad, der er placeret mod ydersiden af fadet, vil modtage mere energi, så det tilberedes hurtigere end det i midten.

Skærm

Visse fødevarer kan med fordel tildækkes under mikrobølgetilberedning.

Brug mikrobølgehusholdningsfilm med lufthuller eller et egnet låg.

Prik hul

Fødevarer med skal, skin eller membran skal prikkes flere steder før tilberedningen eller genopvarmning, da der opbygges damp, og det kan forårsage, at maden eksploderer.

fx kartofler, fisk, kylling, pølser.

BEMÆRK: Æg bør ikke opvarmes ved hjælp af mikrobølgeenergi, da de kan eksplodere, selv efter tilberedningen er afsluttet. F.eks. pocheret, stegt, hårdkogt.

Omrør, vend og omarranger

For at opnå en jævn tilberedning er det vigtigt at røre, vende og omarrangere maden under tilberedningen. Rør og omarranger altid udefra og ind mod midten.

Hvile

Hviletid er nødvendig efter tilberedningen, da det gør, at varmen kan spredes jævnt i hele madvaren.

Madens karakteristika	
Sammensætning	Fødevarer med højt indhold af fedt eller sukker (f.eks. budding, frugttærter) kræver mindre opvarmningstid. Der bør udvises forsigtighed, da overophedning kan føre til brand. Ben i fødevarer leder varme, hvilket gør at maden tilberedes hurtigere. Der skal udvises forsigtighed, således at maden tilberedes jævnt.
Vægtfylde	Madens vægtfylde vil påvirke den nødvendige tilberedningstid. Lette, porøse fødevarer, såsom kager og brød, tilberedes hurtigere end tunge, tætte fødevarer, såsom stege og gryderetter.
Mængde	Antallet af mikrobølger i ovnen er det samme uanset hvor meget mad der tilberedes. Tilberedningstiden skal øges i takt med at mængden af mad, der anbringes i ovnen, stiger. Det tager f.eks. længere tid at tilberede fire kartofler end to.
Størrelse	Små fødevarer og små stykker tilberedes hurtigere end store, da mikrobølgerne kan trænge ind fra alle sider til midten. For at opnå en jævn tilberedning, skal alle stykkerne have samme størrelse.
Form	Fødevarer med en uregelmæssig form, såsom kyllingebryst eller -lår, tager længere tid at tilberede i de tykkere dele. For at opnå en jævn tilberedning, skal de tykkeste dele placeres yderst på fadet, hvor de vil modtage mere energi. Runde former tilberedes mere jævnt end firkantede former ved mikrobølgetilberedning.
Madens temperatur	Fødevarens starttemperatur påvirker den nødvendige tilberedningstid. Afkølede fødevarer tager længere tid at tilberede end fødevarer ved stuetemperatur. Beholderens temperatur er ikke en sand indikation af fødevarens eller drikkevarens temperatur. Skær i fødevarer med fyld, for eksempel syltetøjs-doughnuts, for at frigive varme eller damp.



ADVARSEL: Ansigt og hænder: Brug altid ovnhandsker til at fjerne mad eller køkkengrej fra ovnen.

Træd tilbage, når du åbner ovnlågen, så varme eller damp kan spredes. Når du fjerner tildækninger (såsom husholdningsfilm), åbner stegeposer eller popcornemballage, skal du rette dampen væk fra ansigt og hænder.



ADVARSEL: Kontroller temperaturen på mad og drikke og rør i det før servering. Vær særlig forsigtig ved servering til babyer, børn eller ældre. Indholdet i sutteflasker og glas med babymad skal omrøres eller rystes, og temperaturen skal kontrolleres før indtagelse for at undgå forbrændinger.

GODE RÅD OM OPTØNING

Brug af mikroovn er den hurtigste optøningsmetode. Det er en simpel proces, men følgende instruktioner er afgørende for at sikre, at maden er helt optøet.

- Fjern al emballage og indpakning før optøning.
- Brug mikrobølgeeffektniveau P-20 eller P-40 til at optø mad.
- Se yderligere oplysninger nedenfor.

Omarranger

Fødevarer, der er placeret mod ydersiden af fadet vil tø hurtigere op end fødevarer i midten. Det er derfor vigtigt, at maden omarrangeres op til 4 gange under optøningen.

Flyt tætpackede stykker fra ydersiden til midten og omarranger steder, der overlapper.

Det vil sikre, at alle dele af maden optøs jævnt.

Adskil

Fødevarer kan hænge sammen, når det tages ud af fryseren. Det er vigtigt at adskille fødevarer, så snart det er muligt under optøningen.

f.eks. baconskiver, kyllingefiletter.

Afskærm

Nogle områder af fødevarer, der optøs, kan blive varme. For at forhindre dem i at blive varmere og begynde at koge, kan disse områder afskærmes med små stykker folie, som reflekterer mikrobølger. F.eks. ben og vinger på en kylling.

Hvile

Hviletiden er nødvendigt at sikre, at maden er helt optøet.

Optøning er ikke færdig, når maden tages ud af mikrobølgeovnen. Maden skal hvile, tildækket, i en vis tid for at sikre, at midten har helt optøet.

Vend

Det er vigtigt, at alle fødevarer vendes op til 4 gange under optøning.

Det er vigtigt for at sikre en grundig optøning.

GODE RÅD OM GENOPVARMNING

For genopvarmning af mad, skal du følge rådene og vejledningerne nedenfor for at sikre, at maden er ordentligt genopvarmet inden servering.

Portionsanretning

Fjern eventuelle fjerkræ- eller kødportioner. Genopvarm disse separat, se nedenfor.

Placer mindre madvarer på midten af tallerkenen, og større og tykkere madvarer i kanten. Tildæk med mikrobølgehusholdningsfilm og genopvarm ved effektniveau P-50. Omrør/omarranger halvvejs gennem genopvarmningen.

BEMÆRK: Sørg for, at maden er ordentligt genopvarmet før servering.

Skiveskåret kød

Tildæk med mikrobølgehusholdningsfilm med lufthuller og genopvarm på effektniveau P-60. Omarranger mindst en gang for at sikre en jævn genopvarmning.

BEMÆRK: Sørg for, at kødet er ordentligt genopvarmet før servering.

Fjerkræportioner

Placér den tykkeste del af portionerne i kanten af fadet. Tildæk med mikrobølgehusholdningsfilm med lufthuller og genopvarm på effektniveau P-70.

Vend halvvejs gennem genopvarmningen.

BEMÆRK: Sørg for, at fjerkræ er ordentligt genopvarmet før servering.

Gryderetter

Tildæk med mikrobølgehusholdningsfilm med lufthuller eller et egnet låg og genopvarm ved effektniveau P-50. Omrør jævnligt for at sikre en jævn genopvarmning.

BEMÆRK: Sørg for, at maden er ordentligt genopvarmet før servering.

For at opnå de bedste resultater ved genopvarmning, skal du vælge et passende mikrobølgeeffektniveau, der er egnet til fødevarerens type. F. eks. kan en skål med grøntsager opvarmes ved effektniveau P-100, mens en lasagne, som indeholder ingredienser, der ikke kan omrøres, skal genopvarmes ved effektniveau P-40.

BEMÆRKNINGER:

- Tag maden ud af folie eller metalbeholdere før genopvarmning.
- Genopvarmningstiderne påvirkes af formen, dybde, mængden og temperaturen af maden sammen med beholderens størrelse, form og materiale.



WARNING: Opvarm aldrig væsker i beholdere med smal hals, da dette kan medføre, at indholdet sprøjter ud af beholderen og kan forårsage forbrændinger.

- Vær særligt opmærksom, når madretter med højt sukkerindhold eller fedtindhold genopvarmes, for eksempel, frugttærter eller budding.
- Opvarm aldrig olie eller fedt til friturestegning, da dette kan føre til overophedning og brand.
- Dåsekartofler bør ikke opvarmes i mikrobølgeovnen. Følg producentens anvisninger på dåsen.



ADVARSEL: Indholdet af sutteflasker og glas med babymad skal omrøres eller rystes, og temperaturen skal kontrolleres før indtagelse for at undgå forbrændinger.

FEJLFINDING

Hvis du synes, at ovnen ikke fungerer ordentligt, så er der nogle enkle eftersyn du kan foretage, inden du ringer til en tekniker. Dette er med til at forebygge unødvendige servicebesøg, hvis fejlen er noget simpelt.

Følg de simple eftersyn nedenfor.

Placer en kop halvt fyldt med vand på drejetallerkenen, og luk ovnlågen. indstil timeren til at tilberede i 1 minut med mikrobølgeeffekt P-100.

1. Tænder ovnlampen, når der tilberedes mad?
2. Virker ventilatoren? (Tjek det ved at holde hånden oven over ventilationsåbningerne.)
3. Høres lydsignalet efter 1 minut?
4. Er vandet i koppen varmt?

Hvis du svarer "Nej" til et af spørgsmålene, skal du først kontrollere, at ovnen er tilsluttet korrekt, og at sikringen ikke er gået. Hvis der ikke er fejl med nogen af dem, så kan du kontrollere vha. fejlfindingsdiagrammet nedenfor.



ADVARSEL: Juster reparer, eller modificer aldrig ovnen selv. Det er farligt for alle andre end SHARP-trænede teknikere, når der skal serviceres eller repareres. Dette er vigtigt, da det kan omfatte fjernelse af dæksler, der beskytter mod mikrobølgeenergi.

- Dørens tætningslister stopper udslip af mikrobølger, når ovnen er i drift, men det danner ikke en lufttæt forsegling. Det er normalt at se vanddråber, lys eller at mærke varm luft omkring ovndøren. Madvarer med et højt indhold af fugt vil afgive damp og skabe kondens inden for døren, som kan dryppe fra ovnen.
- Reparationer og modifikationer: Forsøg ikke at betjene ovnen, hvis den ikke fungerer korrekt.
- Adgang til ydre kabinet og lampe: Fjern aldrig det ydre kabinet. Dette er meget farligt på grund af højspændingsdele inde i enheden, som aldrig må berøres, da det kan være fatalt. Din ovn er ikke udstyret med et adgangsdæksel til lampen. Hvis lampen brænder over, må du ikke selv forsøge at udskifte den. Tilkald ET SHARP-godkendt servicecenter.

FEJLFINDINGSDIAGRAM

SPØRGSMÅL	SVAR
Der føles træk omkring døren.	Når ovnen er i gang, cirkulerer luft i ovnrummet. Ovn døren danner ikke en lufttæt forsegling, så luft kan slippe ud langs døren.
Der dannes kondens i ovnrummet, og det kan dryppe fra døren.	Ovnrummet vil normalt være koldere end maden, der tilberedes, og damp, der er dannet under tilberedningen vil kondensere på den koldere overflade. Mængden af damp, der dannes, afhænger af vandindholdet i maden, der tilberedes. Visse madvarer, såsom kartofler har et højt fugtindhold. Kondens, der opsamles i dørens rude, vil forsvinde efter et par timer.
Blink eller buedannelse i ovnrummet under tilberedning.	Buedannelse opstår, når en metalgenstand kommer i nærheden af ovnrummet under tilberedning. Dette kan muligvis opkradse ovnrummets vægge lidt, men vil ellers ikke beskadige ovnen.
Buedannelse i kartofler.	Sørg for, at alle "øjne" er fjernet fra kartoflerne, og at der er prikket huller i dem. Anbring dem direkte på drejetallerkenen eller i et varmebestandigt tærtefad eller lignende.
Når ovnen kun bruges i grilltilstand, kan det bemærkes, at varmeelementet ikke ser ud til at være tændt hele tiden.	Dette skyldes, at grillelementet tændes og slukkes for at holde ovntemperaturen på et forudindstillet niveau.
Når grillen bruges i kombinationstilstand, ser det ikke ud til at være tændt.	I kombinationstilstand (mikroovn og grill) skifter ovnen mellem de to funktioner. Mikrobølge- og grillfunktionerne tændes ikke på samme tid.
Ovnen fungerer ikke, når der trykkes på START/QUICK START (start/kvikstart) knappen.	Tjek, at lågen er lukket korrekt.
Ovnen arbejder for langsomt.	Sørg for, at det korrekte effektniveau er valgt.
Ovnen støjer.	Når mikrobølgeenergien tændes og slukkes, kan der høres en summende lyd. Dette er normalt.
Efter tilberedning støjer ovnen eller ser ud til at være i drift.	Ved afslutningen af tilberedningen kan blæseren forblive tændt i flere minutter for at køle ovnen ned. Det er normalt.
Det ydre kabinet er varmt.	Kabinettet kan blive varmt at røre ved - Hold børn væk.
"LoC" vises i displayet, når der trykkes på en knap.	Efter 30 sekunder vil ovnen gå i låsetilstand, hvor ingen af knapperne kan trykkes ned. Åbn og luk lågen, så fungerer knapperne igen. Kontroller også, at ovnen ikke er i låsetilstand
"Fail" (fejl) vises i displayet, og der høres et bip fra ovnen hvert minut.	Hvis der trykkes konstant på knapperne på kontrolpanelet i mere end 1 minut, sker dette. Tag stikket ud af stikkontakten i et par minutter, og tilslut igen.
Ovnen bipper hvert 30. sekund.	Når tilberedningen er afsluttet, og lågen ikke er åbnet, høres et bip hvert 30. sekund. For at stoppe dette kan du åbne og derefter lukke lågen.

FØR DU RINGER EFTER HJÆLP

Før du beder om service, bedes du kontrollere hvert emne nedenfor:

- Kontroller, at ovnen er tilsluttet korrekt. Hvis ikke, skal du tage stikket ud af stikkontakten, vente 10 sekunder og sætte det i igen.
- Kontrollér, om der er sprunget en sikring eller fejlstrømsrelæet. Hvis disse ser ud til at fungere korrekt, skal du teste stikkontakten med et andet apparat.
- Kontroller, at tænd/sluk og timerknapperne er indstillet korrekt.
- Kontroller, at ovenlågen er lukket forsvarligt, og at lågens sikkerhedslås er aktiveret. Ellers vil mikrobølgeenergien ikke strømme ind i ovnen

HVIS INTET AF OVENSTÅENDE AFHJÆLPER PROBLEMET, SKAL DU KONTAKTE EN KVALIFICERET TEKNIKER. FORSØG IKKE SELV AT JUSTERE ELLER REPARERE OVNEN.



Achtung:

Ihr Produkt ist mit diesem Symbol gekennzeichnet. Dies bedeutet, dass Elektro-Altgeräte nicht mit dem allgemeinen Hausmüll vermischt werden dürfen. Es gibt ein separates Sammelsystem für diese Produkte.



www.sharpconsumer.com/contact/



www.sharpconsumer.com/support/



www.sharpconsumer.com/documents-of-conformity/

A. Entsorgungsinformationen (für private Haushalte)

1. In der EU

Achtung: Bitte entsorgen Sie das Gerät nicht über den Hausmüll! Elektro-Altgeräte müssen getrennt vom übrigen Abfall und gemäß den gültigen gesetzlichen Vorschriften zur Entsorgung und zum Recycling elektrischer und elektronischer Altgeräte behandelt werden.

Gemäß der Umsetzung der Altgeräte Richtlinie seitens der Mitgliedsstaaten können Privathaushalte in der Europäischen Union ihre elektrischen und elektronischen Altgeräte an dafür vorgesehenen Entsorgungsstellen kostenlos abgeben. In einigen Ländern* kann auch Ihr örtlicher Händler Ihr Altgerät kostenlos entgegennehmen, wenn Sie ein vergleichbares Neugerät kaufen.

*) Kontaktieren Sie hierfür bitte Ihre örtlichen Behörden.

Wenn Ihr Elektroaltgerät Batterien oder Akkus enthält, sollten Sie diese vorher getrennt entsorgen, gemäß den örtlichen Anforderungen. Wenn Sie dieses Produkt korrekt entsorgen, tragen Sie zu einer korrekten Schadstoffbehandlung und zu einem effizienten Recycling und im Endeffekt zum Umweltschutz und zur Verhinderung von eventuellen Gesundheitsrisiken bei.

Informationen gültig für Deutschland

Altgeräte sind getrennt zu sammeln und zu entsorgen. Besitzer von Altgeräten tragen damit zur sicheren Entsorgung bei und helfen, mögliche umwelt- oder gesundheitsschädliche Folgen zu vermeiden.

Entnehmbare Lampen, die zerstörungsfrei zu entnehmen sind, sind vor der Entsorgung zu entfernen und getrennt zu behandeln.

Informationen über geschaffene Sammel- bzw. Rückgabemöglichkeiten sowie die Verpflichtungen des Handels/der Vertrieber gegenüber Endnutzern zur kostenfreien Rücknahme von Altgeräten finden Sie auf der lokalen Website des Herstellers des Produktes (www.sharpconsumer.eu), oder wenden Sie sich an den Händler, von dem das Produkt bezogen wurde.

Die Verantwortung für das Löschen von personenbezogenen Daten, die sich auf dem zu entsorgenden Gerät befinden, liegt beim Endnutzer.

Das Symbol mit der durchgestrichenen Mülltonne weist darauf hin, dass Produkte und/oder Verpackungen getrennt vom Hausmüll gesammelt und entsorgt werden müssen. Der schwarze Balken zeigt an, dass das Produkt nach dem 13. August 2005 auf den Markt gebracht wurde.

2. In Nicht-EU-Ländern

Bitte kontaktieren Sie Ihre örtlichen Behörden für mehr Informationen über die korrekte Entsorgung Ihres Produkts.

Für die Schweiz: Gebrauchte elektrische und elektronische Geräte können beim Händler kostenlos abgegeben werden, auch wenn kein neues Produkt gekauft wird. Weitere Einrichtungen zur Entsorgung finden Sie auf der Homepage von www.swico.ch oder www.sens.ch.

B. Entsorgungsinformationen für gewerbliche Nutzer

1. In der EU

Wenn das Produkt für gewerbliche Zwecke benutzt wurde und Sie es entsorgen möchten:

Kontaktieren Sie bitte Ihren SHARP-Händler, der Sie über die Zurücknahme des Produkts informieren wird. Es könnten Ihnen dabei Rücknahme- und Recyclingkosten in Rechnung gestellt werden. Kleine Produkte (und kleine Mengen) werden möglicherweise auch von ihrem örtlichen Recyclinghof entgegengenommen.

In Spanien: Kontaktieren Sie bitte ihr örtliches Entsorgungsunternehmen oder die örtlichen Behörden, um mehr über die Entsorgung Ihrer Altgeräte zu erfahren.

2. In Nicht-EU-Ländern

Bitte kontaktieren Sie Ihre örtlichen Behörden für mehr Informationen über die korrekte Entsorgung Ihres Produkts.

Serviceleistungen finden Sie unter www.sharpconsumer.com/contact/, Ihre Garantierechte unter www.sharpconsumer.com/support/ oder bei dem Händler, bei dem Sie das Produkt erworben haben. Konformitätserklärungen finden Sie unter www.sharpconsumer.com/documents-of-conformity/

VORSICHTSMASSNAHMEN ZUR VERMEIDUNG EINER MÖGLICHEN EXPOSITION GEGENÜBER MIKROWELLENERGIE

1. Betreiben Sie diesen Ofen nicht mit geöffneter Tür. Dies kann zu einer schädlichen Exposition gegenüber Mikrowellenenergie führen. Es ist wichtig, dass Sie die Sicherheitsverriegelungen nicht umgehen oder manipulieren.
2. Stecken Sie keine Gegenstände zwischen die Vorderseite des Ofens und die Tür und achten Sie darauf, dass sich kein Schmutz und keine Reinigungsmittelreste auf den Dichtflächen ansammeln.
3. Bedienen Sie den Ofen nicht, wenn dieser beschädigt ist. Es ist besonders wichtig, dass die Gerätetür richtig schließt und dass die Tür, Scharniere, Schlösser oder Türdichtungen und Dichtflächen unbeschädigt sind.
4. Sie sollten nicht versuchen, den Ofen zu reparieren oder zu verstellen.

INHALTSVERZEICHNIS

WICHTIGE SICHERHEITSHINWEISE.....	3
EINBAU	12
FUNKSTÖRUNG	13
ANWEISUNGEN ZUR ERDUNG	13
TECHNISCHE DATEN	13
GERÄT UND ZUBEHÖR	14
BEDIENFELD	15
VORBEREITUNG	16
EINSTELLEN DER UHR	16
GAREN MIT DER MIKROWELLE.....	17
SCHNELLSTART	18
GRILLEN*.....	18
MIKROWELLE UND GRILL*.....	18
AUTO-MENÜ	19
AUTO DEFROST (AUTOMATISCHES AUFTAUEN)	22
AUTOMATISCHES AUFWÄRMEN*	22
KÜCHENTIMER.....	23
ENERGIESPARFUNKTION.....	23
STUMM-FUNKTION	24
SICHERHEITSVERRIEGELUNG.....	24
KINDERSICHERUNG:.....	24
REINIGUNG UND WARTUNG	25
PASSENDEN OFENGESCHIRR.....	26
MIKROWELLENGARTIPPS.....	28
AUFTAU-TIPPS.....	30
AUFWÄRM-TIPPS.....	31
FEHLERBEHEBUNG.....	32
EHE SIE UNTERSTÜTZUNG ANFORDERN.....	34

WICHTIGE SICHERHEITSHINWEISE

BITTE SORGFÄLTIG DURCHLESEN UND ZUM SPÄTEREN NACHSCHLAGEN AUFBEWAHREN

Um die Gefahr eines Brandes auszuschließen. Mikrowellengeräte sollten während des Betriebs nicht unbeaufsichtigt gelassen werden. Zu hohe Leistungsstufen oder zu lange Garzeiten können das Gargut überhitzen und Feuer verursachen.

Dieses Gerät ist nur für den Einsatz auf einer Arbeitsfläche vorgesehen. Es ist nicht für den Einbau in einem Küchenschrank konzipiert. Das Gerät nicht in einen Schrank stellen. Die Steckdose muss ständig zugänglich sein, sodass der Netzstecker im Notfall einfach abgezogen werden kann.

Die Netzspannung muss 230-240 V Wechselstrom, 50 Hz betragen und sollte mit einer Sicherung von mindestens 10 A oder einem Sicherungsautomaten von mindestens 10 A ausgestattet sein. Ein getrennter, nur dem Betrieb dieses Geräts dienender Stromkreis sollte vorgesehen werden.

Stellen Sie das Gerät nicht an einem Ort auf, an dem Hitze generiert wird, z. B. neben einem konventionellen Herd.

Das Gerät nicht an Orten aufstellen, an denen hohe Luftfeuchtigkeit vorhanden ist oder sich Kondenswasser bilden kann.

Das Gerät nicht im Freien aufbewahren oder aufstellen. Das Gerät nicht im Freien aufbewahren oder aufstellen.

Wird Rauch festgestellt, ist das Gerät sofort auszuschalten oder der Netzstecker abzuziehen und die Tür geschlossen zu halten, damit eventuelle Flammen erstickt werden.

Nur mikrowellengeeignetes Geschirr verwenden. Geschirr sollte überprüft werden, ob es für Mikrowellengeräte geeignet ist.

Beim Erhitzen von Lebensmitteln in Plastik- oder Papier-

behältern müssen Sie das Gerät überwachen, da sich diese entzünden könnten.

Reinigen Sie die Abdeckung des Hohlleiters und den Garraum. Sie müssen trocken und frei von Fett sein. Angesammeltes Fett könnte sich überhitzen, zu rauchen anfangen oder Feuer fangen.

Keine brennbaren Materialien in der Nähe des Gerätes oder den Lüftungsöffnungen aufbewahren. Niemals die Lüftungsöffnungen blockieren.

Alle Metallverschlüsse, Drähte usw. von Lebensmitteln und Verpackungen entfernen. Funkenbildung auf Metalloberflächen kann zu Feuer führen.

Das Mikrowellengerät nicht zum Frittieren von Lebensmitteln in Öl oder Fett verwenden. Die Temperatur kann nicht kontrolliert werden und das Fett kann sich entzünden.

Zum Herstellen von Popcorn sollte nur für Mikrowellengeräte vorgesehenes Popcorn-Geschirr verwendet werden.

Keine Lebensmittel oder andere Gegenstände im Gerät lagern.

Die Einstellungen nach dem Starten des Gerätes überprüfen, um sicherzustellen, dass das Gerät wie gewünscht arbeitet.

Lassen Sie den Ofen beim Betrieb nicht unbeaufsichtigt.

Zur Vermeidung von Überhitzung und Feuer sollte besonders vorsichtig vorgegangen werden, wenn Lebensmittel mit einem besonders hohen Zucker- oder Fettgehalt gegart oder aufgewärmt werden, wie z.B. Würstchen, Kuchen oder weihnachtliche Süßspeisen. Beachten Sie die entsprechenden Hinweise in dieser Bedienungsanleitung.

Zur Vermeidung von Verletzungen. WARNUNG:

Das Gerät nicht betreiben, wenn es beschädigt ist oder Fehlfunktionen aufweist. Überprüfen Sie vor dem Betrieb die folgenden Punkte:

- a) Vergewissern Sie sich, dass die Tür einwandfrei schließt und dass sie nicht falsch ausgerichtet oder verzogen ist.
- b) Vergewissern Sie sich, dass die Scharniere und Verriegelungen der Sicherheitstüren nicht beschädigt oder lose sind.
- c) Vergewissern Sie sich, dass die Türdichtungen und Dichtungsoberflächen nicht beschädigt sind.
- d) Vergewissern Sie sich, dass sich im Garraum und an der Tür keine Dellen oder andere Beschädigungen vorhanden sind.
- e) Vergewissern Sie sich, dass das Netzkabel und der Stecker nicht beschädigt sind.

Falls die Tür bzw. die Türdichtungen beschädigt sind, darf das Gerät nicht weiter betrieben werden, bevor es durch eine kompetente Person repariert wurde.

Nehmen Sie unter keinen Umständen Reparaturen oder Änderungen an Ihrem Mikrowellengerät selbst vor. Reparaturen, insbesondere solche, bei denen die Abdeckung des Geräts entfernt werden muss, dürfen ausschließlich von entsprechend qualifizierten Technikern vorgenommen werden.

Das Gerät nicht mit geöffneter Türe betreiben oder verändern Sie die Türsicherheitsverriegelung in keiner Weise. Gerät nicht betreiben, wenn sich ein Objekt zwischen den Türdichtungen und den Dichtungsoberflächen befindet.

Vermeiden Sie die Bildung von Schmutz oder Fett an Türdichtungen und angrenzenden Teilen. Reinigen Sie das Gerät in regelmäßigen Abständen und entfernen Sie Lebensmittelrückstände.

Befolgen Sie die Hinweise im Kapitel „Reinigung und Pflege“. Wird das Gerät nicht in einem sauberen Zustand gehalten, kann dies zu einer Beschädigung der Oberfläche führen, was die Gebrauchsdauer des Gerätes nachteilig

beeinflussen und möglicherweise zu einer Gefahrensituation führen kann.

Personen mit HERZSCHRITTMACHERN sollten ihren Arzt oder den Hersteller des Herzschrittmachers nach Vorsichtsmaßnahmen beim Umgang mit Mikrowellengeräten befragen.

Zur Vermeidung von Elektroschocks.

- Unter keinen Umständen sollte das äußere Gehäuse entfernt werden.
- Niemals Flüssigkeiten in die Öffnungen der Türsicherungsverriegelung oder Lüftungsöffnungen eintreten lassen, ferner keine Gegenstände in diese Öffnungen stecken. Wenn größere Mengen Flüssigkeiten verschüttet werden, das Gerät sofort ausschalten, den Netzstecker ziehen und den SHARP-Kundendienst kontaktieren.
- Niemals das Netzkabel bzw. den Netzstecker in Wasser oder andere Flüssigkeiten tauchen.
- Das Netzkabel nicht über scharfe Kanten eines Tisches oder eine Arbeitsplatte führen.
- Das Netzkabel von erwärmten Oberflächen, einschließlich der Geräterückseite, fernhalten.
- Das Gerät und Kabel von Kindern unter 8 Jahren fernhalten.
- Auf keinen Fall versuchen, die Garraumlampe selbst auszuwechseln, sondern nur von einem von SHARP autorisierten Elektriker auswechseln lassen! Wenn die Garraumlampe ausfallen sollte, wenden Sie sich bitte an Ihren Elektrohändler oder eine von SHARP autorisierte Kundendienststelle.
- Wenn das Netzkabel beschädigt wird, muss es von einem autorisierten Servicetechniker von SHARP ersetzt werden.

WARNUNG: Speisen in flüssiger und anderer Form dürfen nicht in verschlossenen Gefäßen erhitzt werden, da diese explodieren könnten. Die Erhitzung von Getränken durch Mikrowellen kann verspätetes Aufwallen verursachen. Bei der Handhabung der Gefäße ist daher Vorsicht geboten.

Zur Vermeidung von Explosionen und plötzlichem Sieden:

Benutzen Sie niemals verschlossene Behälter. Verschlüsse und Abdeckungen müssen entfernt werden. Verschlossene Behälter können durch den Druckanstieg selbst nach dem Ausschalten des Gerätes noch explodieren. Seien Sie beim Erhitzen von Flüssigkeiten vorsichtig. Verwenden Sie Behälter mit einer großen Öffnung, damit entstehende Blasen entweichen können.

Niemals Flüssigkeiten in schmalen, hohen Gefäßen (z. B. Saugflaschen) erhitzen, da der Inhalt herauspritzen kann und es zu Verbrennungen kommen könnte.

Vermeiden von plötzlichem Überkochen und möglichen Verbrühungen:

1. Stellen Sie keine extrem langen Garzeiten ein.
2. Die Flüssigkeiten vor dem Garen/Erhitzen umrühren.
3. Es wird empfohlen, während des erneuten Erhitzens einen Glasstab oder einen ähnlichen Gegenstand (kein Metall) in den Behälter zu stellen.
4. Nach dem Erhitzen die Flüssigkeiten noch mindestens 20 Sekunden im Gerät stehen lassen, um verspätetes Aufwallen durch Siedeverzug zu verhindern.

Eier nicht mit der Schale kochen. Hartgekochte Eier dürfen nicht in Mikrowellengeräten erwärmt werden, da sie selbst nach der Erwärmung explodieren können. Zum Garen oder Aufwärmen von Eiern, die nicht verquirlt oder verrührt wurden, das Eigelb und Eiweiß anstecken. Vor dem Aufwärmen im Mikrowellengerät die Schale von gekochten Eiern entfernen und die Eier in Scheiben schneiden.

Die Schale von Lebensmitteln, wie z. B. Kartoffeln, Würstchen oder Obst, vor dem Garen anstecken, damit der Dampf entweichen kann.

Der Inhalt von Saugflaschen und Baby-Nahrungsbehältern muss vor dem Gebrauch geschüttelt bzw. gerührt und die Temperatur muss vor dem Verzehr geprüft werden, um Verbrennungen zu vermeiden. Bei der Entnahme von Gargut aus dem Garraum sollten Topflappen oder Ofenhandschuhe verwendet werden. Zur Vermeidung von Verbrennungen:

- Behälter, Popcorneschirr, Kochbeutel, usw. immer vom Gesicht und den Händen abgewandt öffnen, um Verbrennungen durch Dampf und plötzliches Sieden zu vermeiden. Um Verbrennungen zu vermeiden, immer die Lebensmittelltemperatur prüfen und umrühren, bevor Sie die Speisen servieren. Besondere Vorsicht ist geboten, wenn die Lebensmittel oder Getränke für Babys, Kinder oder alte Menschen gedacht sind. Zugängliche Teile können während des Betriebs heiß werden. Halten Sie Kinder deshalb von ihnen fern.
- Die Temperatur des Behälters ist kein Hinweis auf die tatsächliche Temperatur des Lebensmittels oder Getränks; immer die Temperatur prüfen.
- Halten Sie beim Öffnen der Gerätetür ausreichenden Abstand, um Verbrennungen durch austretende Hitze oder Dampf zu vermeiden.
- Schneiden Sie gefüllte und gebackene Speisen nach dem Garen in Scheiben, um den Dampf entweichen zu lassen und Verbrennungen zu vermeiden.
- Kinder von der Tür fernhalten, um Verbrennungen zu vermeiden.

WARNUNG: Erlauben Sie Kindern über 8 Jahren die Nutzung des Gerätes ohne Aufsicht nur, wenn ausreichende Anweisungen gegeben wurden, sodass das Kind in der Lage ist, das Gerät auf eine sichere Weise zu bedienen und die Gefahren eines unsachgemäßen Gebrauchs versteht. Wenn das Gerät in den Modi GRILL, MIX GRILL, KONVEK-

TION, MIX-KONVEKTION und AUTO-MENÜ betrieben wird (Modus gilt je nach Modell), sollten Kinder das Gerät wegen der hohen Temperaturen nur unter Aufsicht von Erwachsenen betreiben.

Dieses Gerät ist nicht für die Verwendung durch Personen (einschließlich Kinder) mit eingeschränkten physischen, sensorischen oder geistigen Fähigkeiten, oder Mangel an Erfahrung und Wissen bestimmt, sofern sie keine angemessene Aufsicht oder ausführliche Anleitung zur Benutzung des Geräts durch eine verantwortliche Person für ihre Sicherheit erhalten haben.

Kinder sollten beaufsichtigt werden, um sicherzustellen, dass sie nicht mit dem Gerät spielen. Die Reinigung durch Kinder sollte überwacht werden.

Modelle mit elektronischem Touchscreen haben einen Kindersicherungsmodus.

Nicht an die Gerätetür lehnen oder hängen. Nicht mit dem Gerät spielen, oder es als Spielzeug verwenden.

Kinder sollten mit allen wichtigen Sicherheitshinweisen vertraut gemacht werden, wie z. B. Verwendung von Topflappen und vorsichtiges Abnehmen von Deckeln. Beachten Sie besonders Verpackungen, die Lebensmittel knusprig halten (z. B. selbstbräunende Materialien), da diese besonders heiß werden.

Sonstige Warnungen

Niemals das Gerät in irgendeiner Weise modifizieren.

Das Gerät während des Betriebs nicht bewegen.

Dieses Gerät ist für den Einsatz im Haushalt bestimmt. Dieses Gerät ist nur für den Hausgebrauch und darf nur zum Garen von Lebensmitteln und das Erwärmen von Getränken verwendet werden. Das Trocknen von Lebensmitteln oder Kleidung und das Erwärmen von Heizkissen, Pantoffeln, Schwämmen,

feuchten Tüchern und dergleichen kann zu Verletzungs-, Entzündungs- oder Brandgefahr führen. Es eignet sich nicht für gewerbliche Zwecke oder den Gebrauch in einem Labor.

Zur Vermeidung von Fehlfunktionen und Beschädigungen dieses Gerätes.

Das Gerät darf niemals im leeren Zustand betrieben werden. Bei der Verwendung von Bräunungsgeschirr oder selbsterwärmenden Materialien muss eine hitzebeständige Isolierung (z. B. ein Porzellanteller) zwischen Geschirr und Drehteller gestellt werden. Dadurch werden Beschädigungen des Ofenbodens durch Wärme vermieden. Die angegebene Aufheizzeit für das Geschirr darf nicht überschritten werden.

Keine Metall-Utensilien verwenden, die Mikrowellen reflektieren, da dies Funkenbildung zur Folge haben kann. Stellen Sie keine Konservendosen in das Gerät.

So verhindern Sie, dass der Drehteller oder Ofenboden bricht:

- a) Vor der Reinigung mit Wasser: abkühlen lassen.
- b) Stellen Sie keine heißen oder kalten Lebensmittel oder Utensilien auf einen kalten Drehteller/Ofenboden.
- c) Stellen Sie während des Betriebs keine anderen Gegenstände auf das Gehäuse.

HINWEIS:

Benutzen Sie keine Kunststoffbehälter für die Mikrowelle, wenn der Ofen nach einer Verwendung eines Kombinationsmodus (abhängig vom Ofenmodell) noch heiß ist – sie könnten schmelzen.

Während der oben genannten Modi dürfen keine Plastikbehälter benutzt werden, außer der Hersteller dieser Behälter hat ihre Eignung bestätigt.

Sollten Sie sich beim Anschluss des Gerätes nicht sicher sein, so kontaktieren Sie bitte einen Fachmann.

Weder der Hersteller noch der Händler übernimmt Haftung für Schäden an Ofen oder Verletzungen, die infolge von Nichtbeachtung des elektrischen Anschlusses entstehen.

An den Innenwänden oder den Dichtungen und Dichtungsoberflächen können Wasserdampf oder Tropfen entstehen. Dies ist ein normaler Vorgang und kein Zeichen für eine Fehlfunktion der Mikrowelle.

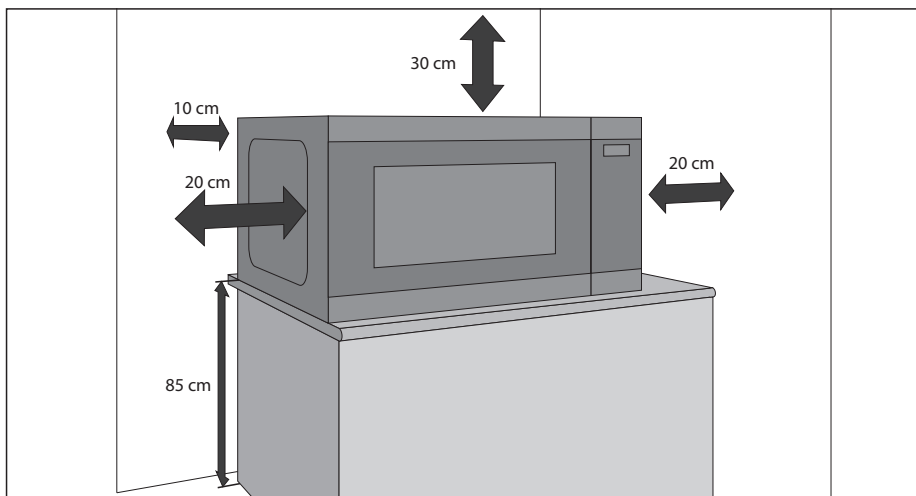
Dieses Gerät ist für den Einsatz in Haushalten und ähnlichen Anwendungsgebieten vorgesehen, wie z. B.; Küchenbereiche, reserviert für das Personal in Geschäften, Büros und anderen professionellen Umgebungen / Bauernhöfen / Nutzung von Hotels, Motels und anderen Wohnumgebungen durch Kunden / Umgebungen wie ein Gästehaus.



Dieses Symbol besagt, dass die Oberflächen während der Benutzung heiß werden können.

EINBAU

- Entfernen Sie jegliches Verpackungsmaterial von der Innenseite des Ofens und entfernen Sie die den Schutzfilm am Gehäuse der Mikrowelle.
- Überprüfen Sie das Gerät auf eventuelle Beschädigungen.
- Platzieren Sie das Gerät auf einer sicheren, ebenen Oberfläche, die stabil genug ist, um das Gewicht des Gerätes und der darin zubereiteten Lebensmittel zu tragen. Das Gerät nicht in einem Schrank aufstellen.
- Wählen Sie eine ebene Fläche, die über genügend Freiraum für die Ein- und/oder Auslässe verfügt. Siehe Bild auf der ersten Seite. Die Rückseite des Gerätes sollte an einer Wand platziert werden.
 - Die minimale Installationshöhe sollte 85 cm betragen.
 - Es muss ein Mindestabstand von 20 cm zwischen den Seiten des Mikrowellengeräts und allen angrenzenden Wänden eingehalten werden.
 - Es ist ein Mindestabstand von 30 cm über dem Gerät einzuhalten.
 - Nicht die Standfüße des Gerätes entfernen.
 - Ein Blockieren der Ein- und/ oder Auslassöffnungen kann das Gerät beschädigen.
 - Platzieren Sie das Gerät so weit als möglich von Radios und TV-Geräten entfernt. Der Mikrowellenbetrieb kann den Radio- oder TV-Empfang stören.



- Den Netzstecker des Mikrowellengerätes mit einer normalen, geerdeten Steckdose verbinden.

WARNUNG:

Das Gerät nicht an Orten an denen Hitze, Feuchtigkeit oder hohe Luftfeuchtigkeit (z. B. in der Nähe oder über einem konventionellen Backofen) auftreten können, oder in der Nähe brennbarer Materialien (z. B. Vorhänge) aufstellen. Lüftungsöffnungen nicht blockieren oder versperren.

Nichts auf das Gerät stellen.

Berühren Sie die Außenseite des Mikrowellengerätes nicht beim Betrieb oder kurz danach, da sie heiß werden kann.

FUNKSTÖRUNG

Der Betrieb des Mikrowellengeräts kann Störungen bei Ihrem Radio, Fernseher oder bei ähnlichen Geräten verursachen. Sollten Störungen auftreten, können sie durch folgende Maßnahmen eingedämmt oder beseitigt werden:

1. Reinigen Sie die Tür und den Hohlraum, wo sie aufeinander treffen.
2. Ändern Sie die Ausrichtung der Empfangsantenne vom Radio oder Fernseher.
3. Stellen Sie das Mikrowellengerät im Verhältnis zum Empfänger neu auf.
4. Stecken Sie das Mikrowellengerät in eine andere Steckdose, damit das Mikrowellengerät und der Empfänger nicht an der gleichen Netzleitung angeschlossen sind.

ANWEISUNGEN ZUR ERDUNG

Dieses Gerät muss geerdet sein. Dieser Ofen ist mit einem Kabel mit Erdungsdraht und Erdungsstecker ausgestattet. Dieser muss an eine ordnungsgemäß installierte und geerdete Wandsteckdose angeschlossen werden. Im Falle eines elektrischen Kurzschlusses verringert die Erdung das Risiko eines Stromschlags, indem ein Flucht draht für den elektrischen Strom bereitgestellt wird. Es wird empfohlen, einen separaten Stromkreis bereitzustellen, der nur den Ofen versorgt.



WARNUNG: Bei unsachgemäßer Verwendung des Erdungssteckers kann die Gefahr eines Stromschlags bestehen.

HINWEIS:

1. Wenn Sie Fragen zur Erdung oder zu den elektrischen Anweisungen haben, wenden Sie sich an einen qualifizierten Elektriker oder Servicetechniker.
2. Weder der Hersteller noch der Händler übernimmt Haftung für Schäden an Ofen oder Verletzungen, die infolge von Nichtbeachtung des elektrischen Anschlusses entstehen.

Das in Ihrem Mikrowellenherd verwendete Netzkabel verwendet die folgenden farblich gekennzeichneten Drähte:

Grüne und Gelb = ERDUNG

Blau = NEUTRAL

Braun = STROMFÜHREND

TECHNISCHE DATEN

Modellname:	YC-PS204A	YC-PS234A	YC-PS254A	YC-PG204A	YC-PG234A	YC-PG254A	YC-PG284A
Wechselstromversorgung	230–240 V, 50 Hz einphasig						
Sicherung/Sicherungsautomat	10 A						
Stromstärke	Mikrowelle	700 W	900 W	900 W	700 W	900 W	900 W
	Grill			900 W	1000 W	1000 W	1000 W
	Aus-Modus	< 0,5 W					
	Energiespar-Modus	> 0,5 W					
Benötigt Wechselstrom	1200 W	1400 W	1400 W	1400 W	1400 W	1400 W	1400 W
Mikrowellenfrequenz	2450 MHz*						
Außenabmessungen (B) x (H) x (T) mm	455 x 274 x 334	483 x 281 x 377	483 x 281 x 403	455 x 274 x 345	483 x 281 x 395	483 x 281 x 403	539 x 309 x 441
Garraumabmessungen (B) x (H) x (T)** mm	315 x 198 x 297	340 x 220 x 320	340 x 220 x 344	315 x 198 x 297	340 x 220 x 320	340 x 220 x 344	354 x 220 x 358
Garraumkapazität	20 Liter**	23 Liter**	25 Liter**	20 Liter**	25 Liter**	25 Liter**	28 Liter**
Drehsteller-Maße	245 mm	270 mm	270 mm	245 mm	270 mm	270 mm	325 mm
Grillgestell-Maße (B) x (T) mm				190 bis 79	80 bis 208	80 bis 208	89 bis 285
Gewicht	ca. 10,5 kg	ca. 12,9 kg	ca. 13,5 kg	ca. 10,9 kg	ca. 13,9 kg	ca. 13,7 kg	ca. 16,6 kg
Garraumlampe (LED)	1,5 W						

* - Dieses Produkt erfüllt die Anforderungen der europäischen Norm EN55011.

Gemäß dieser Norm ist dieses Gerät als Gerät der Gruppe 2 Klasse B eingestuft.

Gruppe 2 bedeutet, dass das Gerät zweckbestimmt hochfrequente Radioenergie in Form elektromagnetischer Strahlen zur Wärmebehandlung von Lebensmitteln erzeugt.

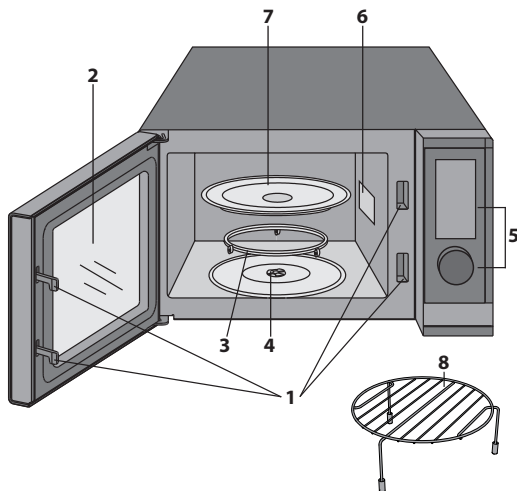
Klasse B bedeutet, das Gerät für den Einsatz im Haushalt geeignet ist.

** - Die interne Kapazität wird durch die Messung der maximalen Breite, Tiefe und Höhe berechnet. Die tatsächliche Kapazität zur Aufnahme von Lebensmitteln ist geringer.

IM RAHMEN EINES BESTREBENS NACH STÄNDIGER VERBESSERUNG BEHALTEN WIR UNS DAS RECHT VOR, JEDERZEIT UND OHNE ANGABE VON GRÜNDEN, TECHNISCHE DATEN ODER DAS DESIGN ZU VERÄNDERN.

GERÄT UND ZUBEHÖR

1. Türverriegelungssystem
2. Gerätefenster
3. Drehtellerring
4. Drehtellerkupplung
5. Drehregler und Steuertasten
6. Abdeckung des Hohlleiters (Nicht entfernen)
7. Glasteller
8. Grillgestell für YC-PG204A, YC-PG234A, YC-PG254A und YC-PG284A
9. Lüftungsöffnungen
10. Außenseite
11. Netzkabel



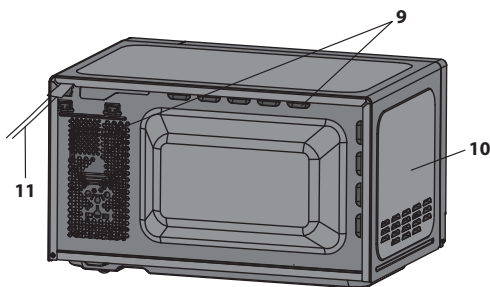
Überprüfen Sie, ob das folgende Zubehör enthalten ist:

Nur für Grillöfen:

- **Grillgestell** – nur für die Verwendung mit der Grillfunktion.
- Das Grillgestell wurde ausschließlich für die Verwendung mit Grillöfen entwickelt. Sie sollten das Metallrost NICHT in der Mikrowellenfunktion verwenden.
- Informationen zur Verwendung des Grillgestells finden Sie in den Abschnitten GRILL in diesem Benutzerhandbuch.

Niemals den Grill berühren, wenn dieser heiß ist.

HINWEIS: Bei der Bestellung von Zubehör teilen Sie bitte folgende Angaben mit: Name des Zubehörtteils und Bezeichnung des Modells.



HINWEISE:

- Reinigen Sie den Garraum nach dem Garen von Lebensmitteln mit hohem Fettanteil und ohne Abdeckhaube immer sehr gründlich. Dieses muss trocken und frei von Fettrückständen sein. Akkumuliertes Fett kann sehr heiß werden und zu Rauch- oder Feuerentwicklung führen.
- Stellen Sie das Kochgeschirr bei der Verwendung der Mikrowelle immer auf den Drehteller.
- Verwenden Sie das Grillgestell NICHT bei der Funktion „Nur Mikrowelle“.

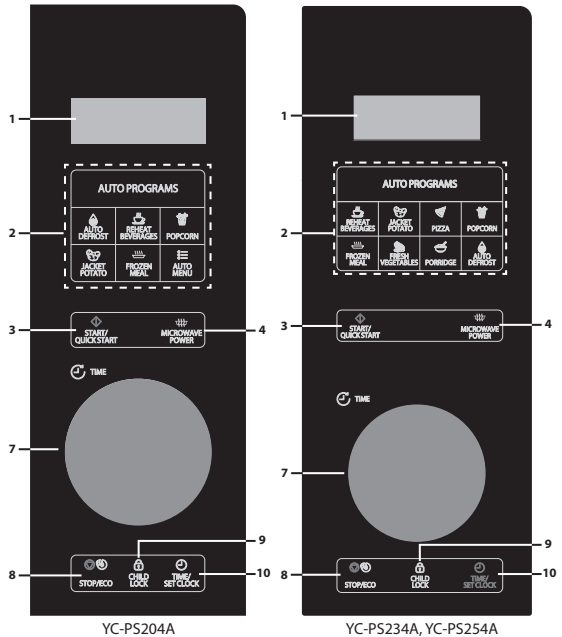
⚠ ACHTUNG: ⚠ Dieses Symbol besagt, dass die Oberflächen während der Benutzung heiß werden können. Die Tür, das Gehäuse, der Garraum, Zubehör und Geschirr werden beim Betrieb sehr heiß. Verwenden Sie immer dicke Ofenhandschuhe, um Verbrennungen zu vermeiden.

BEDIENFELD

- 1. DIGITALES DISPLAY (ANZEIGE)** – Es werden Kochzeit, Leistung, Anzeigen und Uhrzeit angezeigt.
- 2. AUTO MENU-Tasten** – Drücken, um Autogaren-Menü auszuwählen (siehe Seite 19 für Nutzungshinweise).
- 3. START/QUICK START (START/SCHNELLSTART)** – (Seite 18).
- 4. MICROWAVE POWER (MIKROWELLE)** – Drücken, um die Leistungsstufe der Mikrowelle auszuwählen (Seite 17).
- 5. GRILL (GRILL)** – Drücken, um das Grill-Garprogramm einzustellen (Seite 18).
- 6. MICROWAVE+GRILL (MIKROWELLE+GRILL)** – Drücken, um das kombinierte Mikrowellen- und Grill-Garprogramm einzustellen (Seite 18).
- 7. DREHREGLER** – Mit oder gegen den Uhrzeigersinn drehen, um die verschiedenen Funktionen einzustellen.
- 8. STOP/ECO (STOPP/ÖKO)** – Einmal drücken, um das Garen vorübergehend zu unterbrechen, oder zweimal drücken, um das Garen ganz abzubrechen.

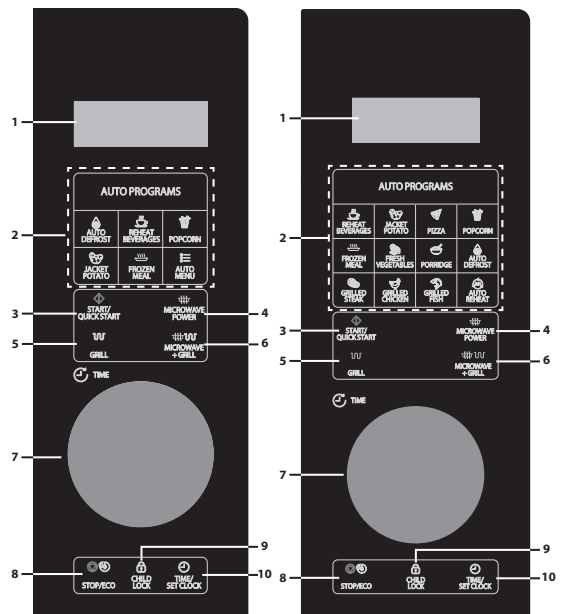
Mit dieser Taste können Sie den Energiesparmodus einstellen. (Seite 23).

- 9. CHILD LOCK (KINDERSICHERUNG)** – (Seite 24).
- 10. TIME/SET CLOCK (UHRZEIT/UHRZEIT EINSTELLEN)** – Damit stellen Sie die Uhrzeit ein. Damit stellen Sie die Timer-Funktion ein. (Seite 16).



YC-PS204A

YC-PS234A, YC-PS254A



YC-PG204A

YC-PG234A, YC-PG254A,
YC-PG284A

VORBEREITUNG

Wenn der Backofen zum ersten Mal angeschlossen wird, ertönt ein Signalton und auf dem Display wird „**1:00**“ angezeigt. Beachten Sie, dass die Uhr nicht eingestellt sein muss, damit der Backofen richtig funktioniert. Um die Uhr einzustellen, befolgen Sie die Anweisungen im Abschnitt „**Uhrzeit einstellen**“ in diesem Benutzerhandbuch. Wenn der Grill neu ist und zum ersten Mal benutzt wird, werden Rauch und Gerüche freigesetzt. Um dies beim Garen von Speisen zu vermeiden, verwenden Sie die Grillfunktion ca. 20 Minuten lang ohne Speisen.

- Nach dem Öffnen und Schließen der Tür schaltet der Backofen in den Standby-Modus. Wenn innerhalb von 1 Minute keine Taste gedrückt wird, bleibt das Display eingeschaltet und die Tasten funktionieren nicht. Um wieder in den Standby-Modus zu gelangen, öffnen und schließen Sie die Tür.
- Wenn während des Garvorgangs die Taste **STOP/ECO** einmal gedrückt wird, wird der Garvorgang unterbrochen. Um den Garvorgang wieder aufzunehmen, drücken Sie die Taste **START/QUICK START**. Wenn die Taste **STOP/ECO** zweimal gedrückt wird, wird der Garvorgang abgebrochen.
- Wenn der Backofen für eine bestimmte Funktion programmiert ist und zwischen den Tastendrücken eine Pause von mehr als 30 Sekunden liegt, kehrt der Backofen in den Standby-Modus zurück.
- Nach Beendigung eines Garvorgangs wird auf dem Display „**End**“ angezeigt und alle zwei Minuten ertönt ein Ton, bis eine Taste gedrückt oder die Tür geöffnet wird.

EINSTELLEN DER UHR

Dieses Gerät verfügt über eine Uhr, die entweder im 12- oder 24-Stunden-Modus verwendet werden kann. Um die Uhr einzustellen, befolgen Sie die nachstehenden Anweisungen:

1. Halten Sie im Standby-Modus die Taste **TIME/SET CLOCK** mindestens 3 Sekunden lang gedrückt, um in den Modus zum Einstellen der Uhr zu gelangen.
 2. Drücken Sie die Taste **TIME/SET CLOCK**, um den 12- oder 24-Stunden-Modus auszuwählen.
 3. Drehen Sie den **DREHREGLER**, um die Stunde einzustellen. Drücken Sie die Taste **TIME/SET CLOCK** um die Einstellung zu speichern.
 4. Drehen Sie den **DREHREGLER** um die Minuten einzustellen. Drücken Sie die Taste **TIME/SET CLOCK**, um zu speichern und den Uhreinstellungsmodus zu verlassen.
- Es ist nicht notwendig, die Uhr einzustellen, damit das Gerät normal funktioniert.
 - Drücken Sie im Garmodus die Taste **TIME/SET CLOCK**, um die Tageszeit (falls eingestellt) anzuzeigen. Die Uhrzeit wechselt nach fünf Sekunden zurück zum Countdown des Garvorgangs. Beachten Sie, dass die Tageszeit nicht angezeigt werden kann, wenn der Küchentimer eingestellt ist.

GAREN MIT DER MIKROWELLE

Um die Mikrowellenfunktion zu nutzen, befolgen Sie die nachstehenden Anweisungen:

1. Drücken Sie im Standby-Modus die Taste **MICROWAVE POWER**, um die Leistungsstufe zu wählen. Jedes Mal, wenn diese Taste gedrückt wird, zeigt das Display die Leistungsstufe der Mikrowelle an.
2. Wenn Sie die gewünschte Leistungsstufe gewählt haben, drehen Sie den **DREHREGLER**, um die Garzeit einzustellen.
3. Drücken Sie die Taste **START/QUICK START**, um den Garvorgang zu starten.
4. Nach Beendigung des Garvorgangs wird auf dem Display „End“ angezeigt und alle zwei Minuten ertönt ein Ton, bis eine Taste gedrückt oder die Tür geöffnet wird.

Beachten Sie, dass die nachstehende Tabelle nur zur Orientierung dient. Ihr Gerät verfügt über 10 Mikrowellenleistungsstufen. Diese sind 10%, 20%, 30%, 40%, 50%, 60%, 70%, 80%, 90% und 100%. Die tatsächliche Wattzahl kann berechnet werden, indem die Mikrowellenleistung mit dem Prozentsatz multipliziert wird.

Mikrowellengaranleitung:

Display	Mikrowellenleistung	Vorgeschlagene Nutzung
P100	100 %	Nutzen Sie diese Einstellung für schnelles Garen oder Aufwärmen für z. B. Aufläufe, heiße Getränke, Gemüse usw. verwendet.
P-80	80 %	Für feste Lebensmittel, die eine lange Garzeit erfordern, wenn sie konventionell gegart werden, wie z. B. Rindfleisch, sollte diese Leistungseinstellung verwendet werden, damit das Fleisch zart wird.
P-60	60 %	Zum längeren Garen von dichten Speisen wie Braten, Hackbraten und Plattengerichten, aber auch für empfindliche Gerichte wie Käsesauce und Biskuitkuchen.
P-40	40 %	Auftaueinstellung; wird zum Auftauen verwendet, damit Speisen gleichmäßig auftauen. Diese Stufe ist auch bestens geeignet, um Reis, Pasta und Klöße zu siedeln und Eiercreme zuzubereiten.
P-20	20 %	Wird zum schonenden Auftauen für z. B. Sahnetorten oder Blätterteig verwendet.

- Während des Garvorgangs können Sie die Leistungsstufe durch Drücken und Halten der Taste **MICROWAVE POWER** überprüfen.
- Die längste Garzeit beträgt 95 Minuten.

SCHNELLSTART

Wenn Sie mit 100 % Leistung kochen möchten, drücken Sie einfach die Taste **START/QUICK START** auf dem **DREHREGLER** während Sie sich im Standby-Modus befinden. Jedes Mal, wenn die Taste **START/QUICK START** gedrückt wird, verlängert sich die Garzeit um 30 Sekunden.

GRILLEN*

Das Heizelement des Grills im oberen Teil des Garraums hat nur eine Leistungseinstellung und ist effizient und sparsam. Der Grill ist ideal zum Garen von Speck, Gammonsteak, Fischstäbchen und Teegebäck.

Verwenden Sie das Grillgestell zum Grillen von kleinen Speisen wie Speck und Würstchen, die Sie nach der Hälfte des Grillvorgangs umdrehen. Die Speisen können direkt auf das Rost gelegt werden oder in einer Tortenform oder auf einer hitzebeständigen Platte platziert werden. Um sicherzustellen, dass kein Fett oder Öl vom Grillgut abtropfen kann, stellen Sie eine geeignete Schale unter das Grillgestell.

Zum Anbraten und Knusprigmachen der Oberfläche von Speisen in einer Auflaufform kann das Grillgestell verwendet werden, wenn der Behälter flach genug ist. Es ist jedoch ratsam, solche Behälter direkt auf den Drehteller zu stellen, damit sie etwas länger bräunen und knusprig werden. Das Grillgestell kann nicht zum Grillen verwendet werden.

Um die Grillfunktion zu verwenden, befolgen Sie die nachstehenden Anweisungen:

1. Drücken Sie im Standby-Modus die Taste **GRILL**, um die Grillfunktion zu wählen. Auf dem Display wird „**Grill**“ angezeigt.
2. Drehen Sie den **DREHREGLER**, um die Garzeit zu wählen.
3. Drücken Sie die Taste **START/QUICK START**, um den Garvorgang zu starten.
4. Nach Beendigung des Garvorgangs wird auf dem Display „**End**“ angezeigt und alle zwei Minuten ertönt ein Ton, bis eine Taste gedrückt oder die Tür geöffnet wird.

* - Nur für Modelle mit Grill.

MIKROWELLE UND GRILL*

Mit der Mikrowellen- und der Grillfunktion können Sie die Speisen schnell bräunen und garen. Um die Mikrowellen- und Grillfunktion zu verwenden, befolgen Sie die nachstehenden Anweisungen:

1. Drücken Sie im Stand-by-Modus einmal oder zweimal die Taste **MICROWAVE + GRILL**, um „Co-1“ (Kombination 1) oder „Co-2“ (Kombination 2) auszuwählen.
2. Drehen Sie den **DREHREGLER**, um die Garzeit einzustellen.
3. Drücken Sie zum Starten die Taste **START/QUICK START**.
4. Nach Beendigung des Garvorgangs wird auf dem Display „**End**“ angezeigt und alle zwei Minuten ertönt ein Ton, bis eine Taste gedrückt oder die Tür geöffnet wird.

Mikrowellen- und Grillfunktion

Display	Ausgang	Vorgeschlagene Nutzung
Co-1	70 % Grill 30 % Mikrowelle.	Hähnchenstücke, Hähnchenbrust, Schweinskoteletts
Co-2	56% Grill 44% Mikrowelle.	Ganzes Huhn

- Die maximale Garzeit beim Grillen beträgt 95 Minuten.
- Lassen Sie während des Grillens Rauch oder Gerüche abziehen, indem Sie ein Fenster öffnen oder die Küchenlüftung einschalten. Dies ist normal und kein Gerätefehler.
- Während des Garens können Sie die aktuelle Kombinationsleistung überprüfen, indem Sie die Taste **MICROWAVE + GRILL** berühren.
- Wenn Sie die Grillfunktion verwenden, schaltet sich der Grill in regelmäßigen Abständen ein und aus, um eine Überhitzung zu vermeiden.
- Bei Verwendung der Funktion Microwave+GRILL können die Speisen in einem geeigneten Gefäß direkt auf den Drehteller des Backofens oder auf den mitgelieferten Grillrost gelegt werden.

WARNUNG: Die Tür, das Gehäuse, der Garraum, Zubehör und Geschirr werden beim Betrieb sehr heiß. Verwenden Sie immer dicke Ofenhandschuhe, um Verbrennungen zu vermeiden.

* - Nur für Modelle mit Grill.

AUTO-MENÜ

Die Autoprogramme ermöglichen ein schnelles und effizientes Garen von Speisen mit nur wenigen Tastendrücken. Es ist nicht notwendig, die Dauer und die Kochleistung zu programmieren. Es genügt, die gewünschte Autogaren-Taste zu drücken, das Gewicht/die Stücke durch Drehen des **DREHREGLERS** einzuprogrammieren und dann die Taste **START/QUICK START** zu drücken.

Wenn Sie beispielsweise zwei Pellkartoffeln garen wollen.

1. Öffnen Sie die Tür und geben Sie das Gargut in den Ofen, wobei Sie ein für den jeweiligen Garzyklus geeignetes Geschirr verwenden müssen.
2. Schließen Sie die Tür.
3. Drücken Sie einmal die Taste **JACKET POTATO (PELLKARTOFFEL)**.
4. Drehen Sie den **DREHREGLER**, um die Anzahl der Kartoffeln einzugeben.
5. Drücken Sie die Taste **START/QUICK START**.
6. Nach Beendigung des Garvorgangs wird auf dem Display „End“ angezeigt und alle zwei Minuten ertönt ein Ton, bis eine Taste gedrückt oder die Tür geöffnet wird.

Autogar-Menüs:

Auto-Programm	Größe/Gewicht
Tiefkühlgericht Automatisches Entfrostern Automatisches Aufwärmen	Wählen Sie das Gewicht durch Drehen des DREHREGLERS . Gefrorene Mahlzeiten und automatisches Aufwärmen (200 bis 800 g), automatisches Auftauen (100 bis 1800 g)
Aufwärmen von Getränken	Wählen Sie die Anzahl der Tassen (je 200 ml) durch Drehen des DREHREGLERS . 1 bis 3 Tassen.
Große Pellkartoffel	Wählen Sie die Anzahl der Kartoffeln (je 230 g) durch Drehen des DREHREGLERS . 1 oder 2 Kartoffeln.
Pizza	Wählen Sie das Gewicht der Pizza (150 g / 300 g / 450 g), indem Sie den DREHREGLER drehen.
Popcorn	Wählen Sie die Anzahl Popcorn-Pakete (je 100 g) durch Drehen des DREHREGLERS .
Frisches Gemüse	Wählen Sie das Gewicht des Gemüses (200 g bis 600 g), indem Sie den DREHREGLER drehen.
Haferbrei	Wählen Sie das Gewicht des Breis (Gramm) durch Drehen des DREHREGLERS . 50 bis 150 g.
Gegrilltes Steak (nur Modelle mit Grill)	Wählen Sie das Gewicht des Steaks (200 g bis 600 g), indem Sie den DREHREGLER drehen.
Gegrilltes Hähnchen (nur Modelle mit Grill)	Wählen Sie das Gewicht des Hähnchens (200 g bis 600 g), indem Sie den DREHREGLER drehen.
Gegrillter Fisch (nur Modelle mit Grill)	Wählen Sie das Gewicht des Fisches (200 g bis 600 g), indem Sie den DREHREGLER drehen.

- Das Ergebnis des automatischen Garvorgangs hängt von Faktoren wie Form und Größe des Garguts, Ihrer persönlichen Vorliebe für den Gargrad bestimmter Speisen und der Art und Weise, wie das Gargut in den Ofen geschoben wird, ab. Wenn das Ergebnis des Garvorgangs nicht zufriedenstellend ist, passen Sie bitte die Garzeit entsprechend an.

Hinweis: Die Auto-Menü-Taste wird nur bei den Modellen YC-PG204A und YC-PS204A verwendet. Jedes Mal, wenn die Auto-Menü-Taste gedrückt wird, zeigt das Display das automatische Programm so wie in der Tabelle oben an. Wenn Sie das gewünschte Auto-Menü gefunden haben, drehen Sie den **DREHREGLER**, um das Gewicht der zu garenden Speise auszuwählen.

Automatische Programmdetails

Lebensmittel	Menge	Anfangstemperatur	Gartechnik
Aufwärmen von Getränken	1 bis 3 Tassen; 1 Tasse = 200 ml	Umgebung	<ol style="list-style-type: none"> 1. Stellen Sie das zu erhaltende Getränk in die Mitte des Glasdrehtellers der Mikrowelle. 2. Schließen Sie die Tür, drücken Sie die Taste zum AUFWÄRMEN VON GETRÄNKEN und wählen Sie die Anzahl der Tassen, indem Sie den DREHREGLER drehen. 3. Drücken Sie die Taste START/SCHNELLSTART, um das Erhitzen zu starten. 4. Wenn der Timer abgelaufen ist, nehmen Sie Ihr Getränk aus der Mikrowelle. Seien Sie vorsichtig, da es heiß sein wird.
Pellkartoffeln	1 bis 2 Kartoffeln 1 Kartoffel = 230±10 g	Umgebung	<ol style="list-style-type: none"> 1. Nachdem Sie die Kartoffel(n) gewaschen und getrocknet haben, stechen Sie die Oberfläche der Kartoffeln mehrmals mit einer Gabel ein. 2. Legen Sie die Kartoffel(n) in die Mitte des Glasdrehtellers der Mikrowelle. 3. Schließen Sie die Tür, drücken Sie die PELLKARTOFFEL-Taste und wählen Sie die Anzahl der Kartoffeln, indem Sie den DREHREGLER drehen. 4. Drücken Sie die Taste START/SCHNELLSTART, um das Erhitzen zu starten. 5. Wenn der Timer abgelaufen ist, nehmen Sie die Kartoffel(n) aus der Mikrowelle. Seien Sie vorsichtig, denn die Lebensmittel sind heiß.
Pizza	150 bis 450 g	Gefroren -18 °C	<ol style="list-style-type: none"> 1. Bitte platzieren Sie die Pizza auf einem mikrowellensicheren Teller in der Mitte des Glasdrehtellers der Mikrowelle. 2. Schließen Sie die Tür, drücken Sie die PIZZA-Taste und wählen Sie das Gewicht, indem Sie den DREHREGLER drehen. 3. Drücken Sie die Taste START/SCHNELLSTART, um das Erhitzen zu starten. 4. Wenn der Timer abgelaufen ist, können Sie Ihre Pizza aus der Mikrowelle nehmen. Seien Sie vorsichtig, da sie heiß sein wird.
Popcorn	100 g	Umgebung	<ol style="list-style-type: none"> 1. Stellen Sie das Popcorn in die Mitte des Glasdrehtellers der Mikrowelle. 2. Schließen Sie die Tür und drücken Sie die POPCORN-Taste. 3. Drücken Sie die Taste START/SCHNELLSTART, um das Erhitzen zu starten. 4. Wenn der Timer abgelaufen ist, können Sie Ihr Popcorn aus der Mikrowelle nehmen. Seien Sie vorsichtig, da es heiß sein wird.
Tiefkühlgericht	200 bis 800 g	Gefroren -18 °C	<ol style="list-style-type: none"> 1. Geben Sie Ihr Tiefkühlgericht in eine mikrowellengeeignete Schüssel, decken Sie es mit Frischhaltefolie ab und stechen Sie Löcher in die Folie. 2. Stellen Sie die Schale in die Mitte des Glasdrehtellers der Mikrowelle. 3. Schließen Sie die Tür, drücken Sie die TIEFKÜHLGERICHT-Taste und wählen Sie das Gewicht, indem Sie den DREHREGLER drehen. 4. Drücken Sie die Taste START/SCHNELLSTART, um das Erhitzen zu starten. 5. Wenn der Timer abgelaufen ist, nehmen Sie das Gericht aus der Mikrowelle und servieren Sie es. Seien Sie vorsichtig, denn die Lebensmittel sind heiß.
Frisches Gemüse	200 bis 600 g	Umgebung	<ol style="list-style-type: none"> 1. Waschen Sie Ihr Gemüse und schneiden Sie es in kleine Stücke mit einer Länge von 25 bis 30 mm und einer Dicke von 10 mm. 2. Geben Sie diese kleinen Stücke in eine mikrowellengeeignete Keramikschale, decken Sie sie mit Frischhaltefolie ab und stechen Sie Löcher in die Folie. 3. Stellen Sie die Schale in die Mitte des Glasdrehtellers der Mikrowelle. 4. Schließen Sie die Tür, drücken Sie die FRISCHES GEMÜSE-Taste und wählen Sie das Gewicht, indem Sie den DREHREGLER drehen. 5. Drücken Sie die Taste START/SCHNELLSTART, um das Erhitzen zu starten. 6. Wenn der Timer abgelaufen ist, nehmen Sie das Gericht aus der Mikrowelle und servieren Sie es. Seien Sie vorsichtig, denn die Lebensmittel sind heiß.
Haferflockenbrei	50 bis 150 g	Umgebung	<ol style="list-style-type: none"> 1. Vermischen Sie die Haferflocken und die Milch in einer mikrowellengeeigneten Schale. Wir empfehlen 180 ml Milch und 50 g Haferflocken. 2. Stellen Sie die Schale in die Mitte des Glasdrehtellers der Mikrowelle. 3. Schließen Sie die Tür, drücken Sie die HAFERFLOCKENBREI-Taste und wählen Sie das Gewicht, indem Sie den DREHREGLER drehen. 4. Drücken Sie die Taste START/SCHNELLSTART, um das Erhitzen zu starten. 5. Wenn der Timer abgelaufen ist, nehmen Sie das Gericht aus der Mikrowelle und servieren Sie es.
Automatisches Aufwärmen	200 bis 800 g	Gekühlt 5 °C	<ol style="list-style-type: none"> 1. Geben Sie den kalten Reis oder die kalten Nudeln in eine mikrowellengeeignete Keramikschale, decken Sie sie mit Frischhaltefolie ab und stechen Sie Löcher in die Folie. 2. Stellen Sie die Schale in die Mitte des Glasdrehtellers des Mikrowellenofens. 3. Schließen Sie die Tür, drücken Sie die AUTOMATISCHES AUFWÄRMEN-Taste und wählen Sie das Gewicht, indem Sie den DREHREGLER drehen. 4. Drücken Sie die Taste START/SCHNELLSTART, um das Erhitzen zu starten. 5. Wenn der Timer abgelaufen ist, nehmen Sie das Gericht aus der Mikrowelle und servieren Sie es.
Gegrilltes Steak	200 bis 600 g	Umgebung	<ol style="list-style-type: none"> 1. Legen Sie den Grillrost mit Backpapier aus und verteilen Sie das Steak gleichmäßig darauf. 2. Stellen Sie den Grillrost in die Mitte des Glasdrehtellers der Mikrowelle. 3. Schließen Sie die Tür, drücken Sie die GEGRILLTES STEAK-Taste und wählen Sie das Gewicht, indem Sie den DREHREGLER drehen. 4. Drücken Sie die Taste START/SCHNELLSTART, um das Erhitzen zu starten. 5. Öffnen Sie die Tür nach zwei Dritteln der Garzeit, um das Lebensmittel zu wenden – dann schließen Sie die Tür und setzen den Garvorgang fort. 6. Wenn der Timer abgelaufen ist, nehmen Sie das Gericht aus der Mikrowelle und servieren Sie es. Seien Sie vorsichtig, denn das Lebensmittel und die Utensilien sind heiß.
Gegrillte Hähnchenteile	200 bis 600 g	Umgebung	<ol style="list-style-type: none"> 1. Legen Sie den Grillrost mit Backpapier aus und verteilen Sie die Hähnchenteile gleichmäßig darauf. 2. Stellen Sie den Grillrost in die Mitte des Glasdrehtellers der Mikrowelle. 3. Schließen Sie die Tür, drücken Sie die Taste für das gegrillte Hähnchen und wählen Sie das Gewicht, indem Sie den DREHREGLER drehen. 4. Drücken Sie die Taste START/SCHNELLSTART, um das Erhitzen zu starten. 5. Öffnen Sie die Tür nach zwei Dritteln der Garzeit, um das Lebensmittel zu wenden – dann schließen Sie die Tür und setzen den Garvorgang fort. 6. Wenn der Timer abgelaufen ist, nehmen Sie das Gericht aus der Mikrowelle und servieren Sie es. Seien Sie vorsichtig, denn das Lebensmittel und die Utensilien sind heiß.
Gegrillte Fischstücke	100 bis 500 g	Umgebung	<ol style="list-style-type: none"> 1. Legen Sie den Grillrost mit Backpapier aus und verteilen Sie die Fischstücke gleichmäßig darauf. 2. Stellen Sie den Grillrost in die Mitte des Glasdrehtellers der Mikrowelle. 3. Schließen Sie die Tür, drücken Sie die GEGRILLTES FISH-Taste und wählen Sie das Gewicht, indem Sie den DREHREGLER drehen. 4. Drücken Sie die Taste START/SCHNELLSTART, um das Erhitzen zu starten. 5. Öffnen Sie die Tür nach zwei Dritteln der Garzeit, um das Lebensmittel zu wenden – dann schließen Sie die Tür und setzen den Garvorgang fort. 6. Wenn der Timer abgelaufen ist, nehmen Sie das Gericht aus der Mikrowelle und servieren Sie es. Seien Sie vorsichtig, denn das Lebensmittel und die Utensilien sind heiß.

Hinweis:	Offenmodus und verwendete Methode	YC-PS204A	YC-PS234A und YC-PS254A	YC-PG204A	YC-PG234A, YC-PG254A und YC-PG284A
	Mikrowelle nur bei 100 %	1 Tasse: 1:40 Minuten 2 Tassen: 3:00 Minuten 3 Tassen: 4:20 Minuten	1 Tasse: 1:30 Minuten 2 Tassen: 2:40 Minuten 3 Tassen: 3:50 Minuten	1 Tasse: 1:40 Minuten 2 Tassen: 3:00 Minuten 3 Tassen: 4:20 Minuten	1 Tasse: 1:30 Minuten 2 Tassen: 2:40 Minuten 3 Tassen: 3:50 Minuten
	Mikrowelle nur bei 100 %	1 Kartoffel: 6:00 Minuten 2 Kartoffeln: 9:00 Minuten 3 Kartoffeln: 13:00 Minuten	1 Kartoffel: 5:00 Minuten 2 Kartoffeln: 8:00 Minuten 3 Kartoffeln: 12:00 Minuten	1 Kartoffel: 6:00 Minuten 2 Kartoffeln: 9:00 Minuten 3 Kartoffeln: 13:00 Minuten	1 Kartoffel: 5:00 Minuten 2 Kartoffeln: 8:00 Minuten 3 Kartoffeln: 12:00 Minuten
Bei den Modellen YC-PS204A und YC-PG204A müssen Sie die Taste AUTO-MENÜ drücken, bis das Programm erscheint.	Mikrowelle nur bei 100 %	150 g: 1:00 Minute 300 g: 1:30 Minuten 450 g: 2:00 Minuten	150 g - 0:50 Minuten 300 g: 1:20 Minuten 450 g: 1:50 Minuten	150 g: 1:00 Minute 300 g: 1:30 Minuten 450 g: 2:00 Minuten	150 g - 0:50 Minuten 300 g: 1:20 Minuten 450 g: 1:50 Minuten
	Mikrowelle nur bei 100 %	100 g: 3:00 Minuten	100 g: 2:00 Minuten	100 g: 3:00 Minuten	100 g: 2:30 Minuten
	Mikrowelle bei 100 % für 1/2 der Zeit, anschließend 0 % für 1/6 der Zeit und am Ende 100 % für 1/3 der Zeit	200 g: 8:00 Minuten 400 g: 11:00 Minuten 600 g: 15:00 Minuten 800 g: 18:00 Minuten	200 g: 6:00 Minuten 400 g: 9:00 Minuten 600 g: 13:00 Minuten 800 g: 16:00 Minuten	200 g: 8:00 Minuten 400 g: 11:00 Minuten 600 g: 15:00 Minuten 800 g: 18:00 Minuten	200 g: 6:00 Minuten 400 g: 9:00 Minuten 600 g: 13:00 Minuten 800 g: 16:00 Minuten
Bei den Modellen YC-PS204A und YC-PG204A müssen Sie die Taste AUTO-MENÜ drücken, bis das Programm erscheint.	Mikrowelle nur bei 100 %	200 g: 3:30 Minuten 300 g: 4:30 Minuten 400 g: 5:30 Minuten 500 g: 6:30 Minuten 600 g: 7:30 Minuten	200 g: 3:00 Minuten 300 g: 4:00 Minuten 400 g: 5:00 Minuten 500 g: 6:00 Minuten 600 g: 7:00 Minuten	200 g: 3:30 Minuten 300 g: 4:30 Minuten 400 g: 5:30 Minuten 500 g: 6:30 Minuten 600 g: 7:30 Minuten	200 g: 3:00 Minuten 300 g: 4:00 Minuten 400 g: 5:00 Minuten 500 g: 6:00 Minuten 600 g: 7:00 Minuten
Bei den Modellen YC-PS204A und YC-PG204A müssen Sie die Taste AUTO-MENÜ drücken, bis das Programm erscheint.	Mikrowelle: 100 %	50 g: 2:00 Minuten 100 g: 3:30 Minuten 150 g: 5:30 Minuten	50 g: 2:00 Minuten 100 g: 3:30 Minuten 150 g: 5:30 Minuten	50 g: 2:00 Minuten 100 g: 3:30 Minuten 150 g: 5:30 Minuten	50 g: 2:00 Minuten 100 g: 3:30 Minuten 150 g: 5:30 Minuten
Beim Modell YC-PG204A müssen Sie die Taste AUTO-MENÜ drücken, bis das Programm erscheint.	Mikrowelle nur bei 100 %	200 g: 2:00 Minuten 300 g: 2:40 Minuten 400 g: 3:20 Minuten 500 g: 4:00 Minuten 600 g: 4:40 Minuten 700 g: 5:20 Minuten 800 g: 6:00 Minuten	200 g: 1:30 Minuten 300 g: 2:00 Minuten 400 g: 2:30 Minuten 500 g: 3:00 Minuten 600 g: 3:30 Minuten 700 g: 4:00 Minuten 800 g: 4:30 Minuten	200 g: 2:00 Minuten 300 g: 2:40 Minuten 400 g: 3:20 Minuten 500 g: 4:00 Minuten 600 g: 4:40 Minuten 700 g: 5:20 Minuten 800 g: 6:00 Minuten	200 g: 1:30 Minuten 300 g: 2:00 Minuten 400 g: 2:30 Minuten 500 g: 3:00 Minuten 600 g: 3:30 Minuten 700 g: 4:00 Minuten 800 g: 4:30 Minuten
Beim Modell YC-PG204A müssen Sie die Taste AUTO-MENÜ drücken, bis das Programm erscheint.	Die Mikrowelle läuft 10 Sekunden lang mit einer Leistung von 100 %, dann schaltet sich der Grill 23 Sekunden lang ein. Dieser Zyklus wird bis zum Ende der Garzeit wiederholt. Mikrowelle und Grill sind niemals zur gleichen Zeit eingeschaltet.	N/A	N/A	200 g: 15:00 Minuten 300 g: 18:00 Minuten 400 g: 21:00 Minuten 500 g: 24:00 Minuten 600 g: 27:00 Minuten	200 g: 15:00 Minuten 300 g: 18:00 Minuten 400 g: 21:00 Minuten 500 g: 24:00 Minuten 600 g: 27:00 Minuten
Beim Modell YC-PG204A müssen Sie die Taste AUTO-MENÜ drücken, bis das Programm erscheint.	Die Mikrowelle läuft 10 Sekunden lang mit einer Leistung von 100 %, dann schaltet sich der Grill 23 Sekunden lang ein. Dieser Zyklus wird bis zum Ende der Garzeit wiederholt. Mikrowelle und Grill sind niemals zur gleichen Zeit eingeschaltet.	N/A	N/A	200 g: 15:00 Minuten 300 g: 18:00 Minuten 400 g: 21:00 Minuten 500 g: 24:00 Minuten 600 g: 27:00 Minuten	200 g: 15:00 Minuten 300 g: 18:00 Minuten 400 g: 21:00 Minuten 500 g: 24:00 Minuten 600 g: 27:00 Minuten
Beim Modell YC-PG204A müssen Sie die Taste AUTO-MENÜ drücken, bis das Programm erscheint.	Die Mikrowelle läuft 10 Sekunden lang mit einer Leistung von 100 %, dann schaltet sich der Grill 23 Sekunden lang ein. Dieser Zyklus wird bis zum Ende der Garzeit wiederholt. Mikrowelle und Grill sind niemals zur gleichen Zeit eingeschaltet.	N/A	N/A	100 g: 12:00 Minuten 200 g: 15:00 Minuten 300 g: 18:00 Minuten 400 g: 21:00 Minuten 500 g: 24:00 Minuten	100 g: 12:00 Minuten 200 g: 15:00 Minuten 300 g: 18:00 Minuten 400 g: 21:00 Minuten 500 g: 24:00 Minuten

AUTO DEFROST (AUTOMATISCHES AUFTAUEN)

Mit dem automatischen Auftauen können Sie Lebensmittel nach Gewicht auftauen. Die Auftaudauer und die Leistungsstufe werden automatisch eingestellt, sobald die Lebensmittelkategorie und das Gewicht programmiert sind. Der Gewichtsbereich für Gefriergut reicht von 100 g bis 1800 g.

1. Drücken Sie im Standby-Modus die Taste **AUTO DEFROST**.
2. Drehen Sie den **DREHREGLER**, um das Gewichts des aufzutauenden Produkts einzustellen.
3. Drücken Sie die **START/SCHNELLSTART**-Taste, um das Auftauen zu beginnen.
4. Wenn das Gerät während des Auftauens stoppt, drehen Sie die Produkte um, um ein gleichmäßiges Auftauen zu gewährleisten, und drücken Sie dann die Taste **START/QUICK START**, um das Auftauen für die restliche Zeit fortzusetzen.
5. Nach Beendigung des Auftauvorgangs wird auf dem Display „**End**“ angezeigt und alle zwei Minuten ertönt ein Ton, bis eine Taste gedrückt oder die Tür geöffnet wird.

Automatisches Auftauen – Betrieb

Modell	Gewichtspanne	Auftauen-Zeitbereich	Auftaubetrieb	Verfahren
YC-PG204A	100 bis 1800 g	5,5 bis 39,5 Minuten	Mikrowelle bei 40 % für 1/3 der Zeit, anschließend 20 % für das nächste 1/3 der Zeit.	<ol style="list-style-type: none"> 1. Geben Sie die gefrorenen Lebensmittel in eine mikrowellengeeignete Schüssel, decken Sie sie mit Frischhaltefolie ab und stechen Sie Löcher in die Folie. 2. Stellen Sie die Schale in die Mitte des Glasdrehtellers der Mikrowelle. 3. Schließen Sie die Tür, drücken Sie die AUTOMATISCHES AUFTAUEN-Taste und wählen Sie das Gewicht, indem Sie den DREHREGLER drehen. 4. Drücken Sie die Taste START/SCHNELLSTART, um das Auftauen zu starten. 5. Nach einer gewissen Zeit des Auftauens schaltet sich der Ofen ab und fordert Sie auf, die Lebensmittel zu wenden. 6. Öffnen Sie die Tür und drehen Sie die Lebensmittel um bzw. ordnen Sie sie neu an. Schließen Sie die Tür. 7. Drücken Sie die Taste START/SCHNELLSTART, um das Auftauen fortzusetzen. 8. Wenn der Timer abgelaufen ist, nehmen Sie die Lebensmittel aus dem Ofen. Vergewissern Sie sich, dass sie vollständig aufgetaut sind.
YC-PG204A	100 bis 1800 g	5 bis 39 Minuten	Aufforderung zum Umdrehen – nach dem Umdrehen wird für den Rest der Zeit mit 20% abgetaut.	
YC-PS234A und YC-PG234A	100 bis 1800 g	5,5 bis 39,5 Minuten	Mikrowelle für die Hälfte der Zeit mit 20 %, Aufforderung zum Wenden. Für die restliche Zeit mit 20 % Leistung.	
YC-PS254A, YC-PG254A und YC-PG284A	100 bis 1800 g	3 bis 37 Minuten	Mikrowelle bei 30 % für 1/3 der Zeit, anschließend 20 % für das nächste 1/3 der Zeit. Aufforderung zum Umdrehen – nach dem Umdrehen wird für den Rest der Zeit mit 20% abgetaut.	

AUTOMATISCHES AUFWÄRMEN*

Das Gerät ermöglicht das Aufwärmen von Speisen auf der Grundlage des vom Benutzer eingegebenen Gewichts. Die Aufwärmdauer und die Leistungsstufe werden automatisch eingestellt, sobald die Lebensmittelkategorie und das Gewicht programmiert sind. Das Aufwärmgewicht reicht von 100 g bis 800 g.

1. Drücken Sie im Standby-Modus die Taste **AUTO REHEAT**.
2. Drehen Sie den **DREHREGLER**, um das Gewichts des aufzuwärmenden Produkts einzustellen.
3. Drücken Sie **START/QUICK START**.
4. Nach Beendigung des Garvorgangs wird auf dem Display „**End**“ angezeigt und alle zwei Minuten ertönt ein Ton, bis eine Taste gedrückt oder die Tür geöffnet wird.

* - Nur für Modelle mit Grill.

KÜCHENTIMER

Das Gerät ist mit einem Küchentimer ausgestattet, der ab der eingestellten Zeit herunterzählt.

1. Drücken Sie im Standby-Modus einmal die Taste **TIME/SET CLOCK**.
2. Drehen Sie den **DREHREGLER**, um die gewünschte Zeit einzustellen. Die längste Zeit beträgt 95 Minuten.
3. Drücken Sie zum Bestätigen die Taste **START/QUICK START**.
4. Die Anzeige zählt die eingegebene Zeit herunter.
5. Wenn die Anzeige Null erreicht, ertönt ein Ton.

Es ist auch möglich, den Küchentimer im Garmodus zu verwenden. Führen Sie dazu die oben beschriebenen Schritte aus, während Ihr Essen gart. Sobald der Küchentimer aktiviert ist, wird er fünf Sekunden lang auf dem Display angezeigt, dann kehrt die Anzeige zum Countdown-Timer für den Kochzyklus zurück. Um den Timer wieder anzuzeigen, drücken Sie einmal die Taste **TIME/SET CLOCK** und der Küchentimer erscheint fünf Sekunden lang, dann wird wieder der Countdown für den Garvorgang angezeigt.

- Um das **TIMER**-Programm abzubrechen, drücken Sie die Taste **STOP/ECO** und die Anzeige zeigt die Zeit an.
- Wenn ein Kochzyklus gestartet wurde, kann der Küchentimer wie oben beschrieben gestartet werden.

ENERGIESPARFUNKTION

Mit dieser Funktion kann Strom gespart werden, wenn das Gerät nicht benutzt wird. Um diese Funktion im Standby-Modus zu aktivieren, halten Sie die Taste **STOP/ECO** 3 Sekunden lang gedrückt; das Display schaltet sich aus; das Gerät geht in den Energiesparmodus über.

Um den Energiesparmodus zu beenden, drücken Sie eine beliebige Taste oder öffnen und schließen Sie die Gerätetür.

STUMM-FUNKTION

Mit der Stummschaltungsfunktion können Sie alle Töne des Mikrowellengeräts stummschalten. Um die Stummschaltung zu aktivieren, drücken Sie einmal die Taste **CHILD LOCK** und auf dem Display wird 5 Sekunden lang „**OFF**“ angezeigt. Im Stummschaltungsmodus ertönt kein Ton, wenn Tasten gedrückt werden.

Um die Stummschaltung auszuschalten, drücken Sie einmal die **CHILD LOCK**-Taste. Das Display zeigt 5 Sekunden lang „**on**“ an, um anzuzeigen, dass der Ton wieder eingeschaltet wurde.

Wenn die Stummschaltfunktion eingestellt ist und das Gerät vom Stromnetz getrennt wird, wird sie aufgehoben, sobald das Netz wieder angeschlossen wird.

SICHERHEITSVERRIEGELUNG

Dies ist eine automatische Funktion, die verhindert, dass Kinder das Gerät unbeaufsichtigt bedienen. Wenn sich das Gerät im Standby-Modus befindet und innerhalb einer Minute nicht bedient wird, schaltet es automatisch in den Sicherheitsverriegelungsmodus und auf dem Display erscheint „**Loc**“. Im Verriegelungszustand sind alle Tasten deaktiviert. Wenn Sie eine beliebige Taste drücken, erscheint auf der Anzeige 5 Sekunden lang die Verriegelungsanzeige. Dies erinnert den Benutzer daran, die Verriegelungssperre aufzuheben.

Um die Sicherheitsverriegelung zu deaktivieren, öffnen und schließen Sie einfach die Tür der Mikrowelle. Dann wird die Tastatur wieder aktiviert und die Anzeigeleuchte der Verriegelung schaltet sich ab.

KINDERSICHERUNG:

Um die KINDERSICHERUNG einzustellen, halten Sie die Taste **CHILD LOCK** 3 Sekunden lang gedrückt – es ertönt ein langer Piepton und auf der Anzeige erscheint „**Loc**“. Das Gerät befindet sich jetzt im „CHILD LOCK“-Modus (Kindersicherung). Das Display zeigt in diesem Modus die Uhr an – wenn eine Taste gedrückt oder die Tür geöffnet wird, wird fünf Sekunden lang „**Loc**“ angezeigt.

Um die KINDERSICHERUNG abzuschalten, halten Sie die Taste **CHILD LOCK** 3 Sekunden lang gedrückt, bis ein langer Signalton erklingt.

REINIGUNG UND WARTUNG

- Schalten Sie das Gerät aus und ziehen Sie den Netzstecker aus der Wandsteckdose, wenn Sie das Gerät reinigen.
- Halten Sie das Innere des Ofens sauber. Sollten an den Seiten, dem Boden, der Decke des Geräts Lebensmittelspritzer oder verschüttete Flüssigkeiten anhaften, wischen Sie diese mit einem feuchten Tuch ab. Wenn das Gerät stark verschmutzt ist, können Sie milde Reinigungsmittel verwenden. Benutzen Sie keine Sprays und keine anderen scharfen Reinigungsmittel. Durch sie können Flecken, Streifen oder Mattierungen auf der Türoberfläche auftreten.
- Die Außenseite des Geräts sollte mit einem feuchten Tuch gereinigt werden. Damit keine Schäden an den Betriebsteilen im Inneren des Ofens auftreten, darf kein Wasser in die Lüftungsöffnungen eindringen.
- Wischen Sie die Tür und das Fenster auf beiden Seiten, die Türdichtungen und die anliegenden Teile regelmäßig mit einem feuchten Tuch ab, um Spritzer oder Verunreinigungen zu entfernen.
- Verwenden Sie keine scheuernden Reinigungsmittel.
- Nicht dampfstrahlen.
- Achten Sie darauf, dass das Bedienfeld nicht nass wird. Reinigen Sie das Bedienfeld mit einem weichen, feuchten Tuch. Lassen Sie die Gerätetür beim Reinigen des Bedienfelds offen, damit es nicht versehentlich eingeschaltet wird.
- Sollte sich Dampf innerhalb oder um die Außenseite der Ofentür herum ansammeln, wischen Sie mit einem weichen Tuch nach. Dies kann passieren, wenn das Mikrowellengerät bei hoher Luftfeuchtigkeit betrieben wird. Dies ist kein Defekt.
- Die Basis-Drehscheibe, der Drehtellerträger und die Kupplung sollten regelmäßig gereinigt werden, um Verunreinigungen und mögliche Lichtbögen/Beschädigungen zu vermeiden. Wischen Sie sie einfach mit einem milden Reinigungsmittel ab.
- Sie können Gerüche aus Ihrem Gerät entfernen– vermischen Sie dazu eine Tasse Wasser mit dem Saft und der Schale einer Zitrone in einer mikrowellengeeigneten Schale. Erhitzen Sie das Ganze 5 Minuten lang in der Mikrowelle. Wischen Sie das Gerät anschließend gründlich ab und trocknen Sie es mit einem weichen Tuch.
- Wenn die Glühbirne defekt ist, wenden Sie sich bitte an den Kundendienst.
- Das Gerät sollte regelmäßig gereinigt werden. Außerdem sollten Lebensmittelrückstände regelmäßig entfernt werden. Wird das Gerät nicht in einem sauberen Zustand gehalten, kann dies zu einer Beschädigung der Oberfläche führen, was die Gebrauchsdauer des Gerätes nachteilig beeinflussen und möglicherweise zu einer Gefahrensituation führen kann.
- Bitte entsorgen Sie dieses Gerät nicht über den Hausmüll, sondern beachten Sie die Hinweise Ihres Landes zur Entsorgung dieser Art von Produkten.

PASSENDES OFENGESCHIRR

1. Das ideale Material für ein Mikrowellengerät ist für Mikrowellen transparent. Es lässt Energie durch den Behälter fließen und erhitzt die Lebensmittel.
2. Die Mikrowelle kann kein Metall durchdringen, daher sollten keine Metallutensilien oder Geschirr mit Metallrand verwendet werden.
3. Verwenden Sie beim Garen in der Mikrowelle keine Recyclingpapierprodukte, da diese kleine Metallteile enthalten können, die Funken und/oder Brände verursachen können.
4. Es wird eher rundes/ovales als quadratisches/längliches Geschirr empfohlen, da das Essen an den Ecken zum Überkochen neigt.
5. Schmale Aluminiumfolienstreifen können verwendet werden, um ein Überkochen an freiliegenden Bereichen zu verhindern. Verwenden Sie jedoch nicht zu viel und halten Sie einen Abstand von 2,54 cm zwischen Folie und Hohlraum ein.

Die folgende Liste ist eine allgemeine Anleitung zur Auswahl der richtigen Utensilien.

Geschirr	Mikrowelle Fest	Grill	Kommentar
Bräunungsgeschirr	✓ / ✗	✗	Befolgen Sie immer die Anleitung des Herstellers. Überschreiten Sie nicht die angegebenen Erwärnzeiten. Seien Sie sehr vorsichtig, da dieses Geschirr sehr heiß wird.
Porzellan und Keramik	✓ / ✗	✗	Porzellan, Tongeschirr, glasiertes Steingut und feines Porzellan sind grundsätzlich geeignet, sofern sie kein metallisches Dekor aufweisen.
Hitzebeständiges Glas	✓	✓	Es sollte darauf geachtet werden, dass Glasgeschirr für die Verwendung in einem Mikrowellenherd geeignet ist.
Nicht-Hitzebeständiges Glas	✗	✗	
Hitzebeständige Keramik	✓	✓	Achten Sie darauf, dass das keramische Material nicht zu dick ist oder einen hohen Mineralgehalt hat.
Mikrowellengeeignetes Kunststoffgeschirr	✓	✗	Vergewissern Sie sich stets, dass das Kunststoffgeschirr für die Verwendung in einem Mikrowellenherd geeignet ist.
Küchenpapier	✓ / ✗	✗	Verwenden Sie nur Küchenpapier, das für die Verwendung in Mikrowellenherden empfohlen wird.
Glas z. B. Pyrex®	✓ / ✗	✓	Seien Sie vorsichtig bei der Verwendung von feinen Gläsern, diese können beim plötzlichen Erwärmen zerspringen.
Metalltablett	✗	✓	Verwenden Sie kein Metallgeschirr, da ein Lichtbogen entstehen und somit ein Feuer verursacht werden kann.
Metallrost	✗	✓	Verwenden Sie kein Metallgeschirr, da ein Lichtbogen entstehen und somit ein Feuer verursacht werden kann.
Alufolie Folienbehälter	✓ / ✗	✓	Kleine Stücke aus Aluminiumfolie können verwendet werden, um die Lebensmittel vor Überhitzung zu schützen. Halten Sie die Folie mindestens 2,54 cm von den Wänden des Innenraums entfernt, da Lichtbögen auftreten können. Folienbehälter werden generell nicht empfohlen, außer vom Hersteller anders angegeben, wie z.B. Microfoil®. Folgen Sie den Anweisungen sorgfältig.
Klarsichtfolie	✓	✗	Sie sollten die Lebensmittel nicht berühren und stechen Sie in diese ein, damit der Dampf entweichen kann.
Plastik/Polystyrol, z. B. Fastfood-Behälter	✓	✗	Bitte beachten Sie, dass sich einige Behälter bei hohen Temperaturen verformen, schmelzen oder ihre Farbe verändern.
Gefrier-/Bratbeutel	✓	✗	Muss zum Auslass von Dampf angestochen werden. Stellen Sie sicher, dass die verwendeten Beutel mikrowellengeeignet sind.
Pappteller/-becher und Küchenpapier	✓	✗	Verwenden Sie keine Kunststoff- oder Metall-Bindungen, da diese schmelzen können oder wegen "Lichtbögen" Feuer fangen können.
Behälter aus Stroh und Holz	✓	✗	Nur zum Aufwärmen verwenden, oder um Feuchtigkeit zu absorbieren. Überhitzung kann zu Feuer führen.
Recyclingpapier und Zeitungen	✗	✗	Überwachen Sie das Gerät immer, wenn Sie diese Materialien verwenden, da eine Überhitzung zu Bränden führen kann. Kann metallische Bestandteile enthalten, die zu Lichtbögen und Bränden führen können.

⚠️ WARNUNG: Beim Erhitzen von Lebensmitteln in Plastik- oder Papierbehältern müssen Sie das Gerät überwachen, da sich diese entzünden könnten.

HINWEIS: Lassen Sie das Gerät bei der Verwendung nicht unbeaufsichtigt.

MIKROWELLENGARTIPPS

Mikrowellen garen Speisen schneller als konventionelle Garweisen. Daher ist es wichtig, dass Sie bestimmte Techniken anwenden, um gute Ergebnisse zu erzielen. Viele dieser Techniken ähneln jedoch jenen, die beim konventionellen Garen verwendet werden.



WARNUNG: Flüssigkeiten oder Speisen dürfen nicht in geschlossenen Behältern oder Behältern/ Gläsern mit einem Deckel erhitzt werden, da sich darin Druck aufbauen kann. Dies kann dazu führen, dass das Gefäß/der Behälter explodiert.

GARHINWEISE:

- Lassen Sie das Gerät im Betrieb niemals unbeaufsichtigt.
- Stellen Sie sicher, dass das verwendete Geschirr mikrowelleneeignet ist.
- Verwenden Sie nur Mikrowellen-Popcorn in seiner empfohlenen Verpackung (befolgen Sie die Herstelleranweisungen). Verwenden Sie niemals Öl, außer der Hersteller empfiehlt dies ausdrücklich, und garen Sie es nie länger als empfohlen.



WARNUNG: Wenn Sie die empfohlenen Garzeiten und zu hohe Leistungsstufen verwenden, können sich Lebensmittel überhitzen, brennen und unter Umständen Feuer fangen und das Gerät beschädigen.

Anordnen

Platzieren Sie die dicksten Lebensmittel auf die Außenseite des Geschirrs, z.B. Hühnerbeine. Lebensmittel, die auf der Außenseite des Geschirrs platziert sind, werden mehr Energie erhalten, somit schneller garen als jene in der Mitte.

Abdecken

Bei manchen Speisen ist es vorteilhaft, sie während des Garens in der Mikrowelle abzudecken. Verwenden Sie nur mikrowelleneeignete Frischhaltefolie oder einen geeigneten Deckel

Einstechen

Lebensmittel mit einer Schale, einer Haut oder einer Membran müssen an verschiedenen Stellen eingestochen werden, bevor sie gegart oder aufgewärmt werden, denn dabei entsteht Dampf, der zum Platzen führen kann – z. B. Kartoffeln, Fisch, Hühnchen, Würstchen.

HINWEIS: Eier sollten nicht mit Mikrowellenleistung erhitzt werden. Sie könnten auch nach dem Garen noch explodieren – z. B. pochiert, gebraten, hartgekocht.

Umrühren, Wenden und Neuankordnen.

Für ein gleichmäßiges Garen ist Umrühren, Wenden und Neuankordnen von Speisen während des Garvorgangs essenziell. Führen Sie dies immer vom Rand in die Mitte durch.

Ruhen

Nach dem Garen ist eine Ruhezeit nötig, damit sich die Hitze gleichmäßig in den Lebensmitteln verteilen kann.

Lebensmittelmerkmale	
Zusammensetzung	Speisen mit einem hohen Zuckergehalt (z.B. Früchtepuddings oder gefülltes Gebäck) benötigen weniger Garzeit. Passen Sie also auf, denn Überhitzen kann zu Bränden führen. Knochen in Lebensmitteln sind Hitzeleiter, sodass das Lebensmittel schneller garen wird. Passen Sie also auf, dass die Speisen gleichmäßig garen.
Dichte	Die Lebensmitteldichte beeinflusst die benötigte Garzeit. Leicht poröse Lebensmittel, wie Kuchen oder Brot, garen schneller als schwere und dichte, wie z. B. Braten und Schmorgerichte.
Menge	Die Anzahl der Mikrowellen in Ihrem Gerät bleibt dieselbe, egal wie viel Speisen gegart werden. Die Garzeit muss daher erhöht werden, wenn die Lebensmittelmenge im Gerät zunimmt. Beispielsweise dauert das Garen von vier Kartoffeln länger als das von zwei Stück.
Größe	Kleine Lebensmittel und kleine Portionen garen schneller als größere, da die Mikrowellen von allen Seiten in ihr Inneres eindringen können. Für ein gleichmäßiges Garen, teilen Sie alles in gleich große Portionen.
Form	Lebensmittel in unregelmäßiger Form, wie Hähnchenbrust oder Hühnerbeine, benötigen für ihre dickeren Teile eine längere Garzeit. Für ein gleichmäßiges Garen, platzieren Sie die dickeren Teile auf den Rand des Geschirrs, sodass sie mehr Energie abbekommen. Runde Formen garen gleichmäßiger als viereckige Formen.
Speisentemperatur	Die Ausgangstemperatur der Lebensmittel beeinflusst die benötigte Garzeit Gekühlte Lebensmittel brauchen länger zum Garen als solche mit Zimmertemperatur. Die Temperatur des Behältnisses ist kein wirkliches Anzeichen für die Temperatur der enthaltenen Speisen oder Getränken. Schneiden sie Speisen mit Füllungen auf, wie z.B. mit Marmelade gefüllte Donuts, um Hitze oder Dampf entweichen zu lassen.



WARNUNG: Gesicht und Hände: Benutzen Sie immer Ofenhandschuhe, um Speisen oder Geschirr aus dem Gerät zu entnehmen. Treten Sie einen Schritt zurück, um Hitze und Dampf entweichen zu lassen. Wenn Sie Abdeckungen entfernen (wie z. B. Klarsichtfolie), Bratbeutel oder Popcorn-Packungen öffnen, sollten Sie den Dampf immer von Ihren Händen oder ihrem Gesicht fernhalten.



WARNUNG: Vor dem Servieren sollten Sie immer die Temperatur der Speisen und Getränke überprüfen und diese umrühren. Gehen Sie mit besonderer Vorsicht vor, wenn Sie sie Babys, Kindern oder alten Menschen servieren. Der Inhalt von Babyfläschchen und Babynahrungsgläsern müssen besonders auf ihre Temperatur vor dem Verzehr überprüft sowie umgerührt oder geschüttelt werden, um Verbrennungen zu verhindern.

AUFTAU-TIPPS

Die Verwendung Ihres Mikrowellengeräts ist die schnellste Methode zum Auftauen von Lebensmitteln. Es ist eine einfache Methode, aber die folgenden Anweisungen sind essenziell, um zu gewährleisten, dass Speisen vollständig aufgetaut werden.

- Entfernen Sie vor dem Auftauen die gesamte Verpackung.
- Um Lebensmittel aufzutauen, benutzen Sie die Mikrowellenleistungsstufen P-20 bis P-40.
- Beziehen Sie sich hierbei bitte unten auf die weiteren Informationen.

Neuanordnen

Lebensmittel, die am Rand des Geschirrs liegen, tauen schneller auf als jene in der Mitte. Deshalb sollte man sie bis zu viermal neuanordnen.

Bewegen Sie eng nebeneinander liegende Stücke am Rand in die Mitte und ordnen Sie übereinander liegende Teile neu an.

Dies wird dafür sorgen, dass alle Teile der Speisen gleichmäßig auftauen

Trennen

Lebensmittel können beim Einfrieren zusammengeklebt sein. Es ist wichtig, sie sobald wie möglich voneinander zu trennen.

z.B. Baconscheiben oder Hühnerfilets.

Abschirmen

Manche Teile des aufzutauenden Lebensmittels können warm werden. Um zu verhindern, dass sie noch wärmer werden und anfangen zu kochen, können sie mit kleinen Folienstücken abgeschirmt werden, die Mikrowellen reflektieren. Beispiele hierfür wären z.B. Hühnerbeine und Chicken Wings.

Ruhen

Ruhezeit ist nötig, um zu gewährleisten, dass die Speisen vollständig aufgetaut sind.

Das Auftauen ist nicht abgeschlossen, wenn die Speisen aus dem Gerät entnommen sind. Die Speisen müssen abgedeckt ruhen, um sicherzustellen, dass sie auch in der Mitte komplett aufgetaut sind.

Wenden

Es ist wichtig, dass alle Lebensmittel während des Auftauens bis zu 4 Mal gewendet werden.

Dies ist wichtig, damit ein sorgfältiges Auftauen gewährleistet wird.

AUFWÄRM-TIPPS

Für das Wiederaufwärmen von Speisen sollten Sie den unten angegebenen Ratschlägen und Hinweisen folgen, um sicherzustellen, dass die Speisen vor dem Servieren vollständig erwärmt sind.

Tellergerichte

Entfernen Sie Geflügel- oder Fleischstücke und erwärmen Sie diese separat, wie unten beschrieben.

Platzieren Sie kleinere Stücke in die Mitte des Tellers sowie größere und dickere an den Rand. Decken Sie sie mit mikrowelleneigneter Folie ab und erwärmen Sie die Speise auf Stufe P-50. Nach der Hälfte der Erwärmungszeit sollten Sie es umrühren bzw. neuanordnen.

HINWEIS: Stellen Sie sicher, dass die Speisen vor dem Servieren vollständig erwärmt sind.

Geschnittenes Fleisch

Decken Sie sie mit mikrowelleneigneter Frischhaltefolie ab und erwärmen Sie die Speise auf Stufe P-60. Mischen Sie es mindestens einmal neu durch, um ein gleichmäßiges Erwärmen zu garantieren.

HINWEIS: Stellen Sie sicher, dass das Fleisch vor dem Servieren vollständig erwärmt ist.

Geflügelportionen

Platzieren Sie die dicksten Teile der Portion an den Rand des Geschirrs, decken Sie sie mit mikrowelleneigneter Folie und erwärmen Sie sie bei Stufe P-70.

Wenden Sie die Geflügelportionen nach der Hälfte der Aufwärmphase.

HINWEIS: Stellen Sie sicher, dass das Geflügel vor dem Servieren vollständig erwärmt ist.

Schmorgerichte

Decken Sie die Schmorgerichte mit mikrowelleneigneter Folie oder einem passenden Deckel ab sowie erwärmen Sie diese Gerichte bei Stufe P-50.

Regelmäßig umrühren, um gleichmäßiges Erwärmen zu gewährleisten.

HINWEIS: Stellen Sie sicher, dass die Speisen vor dem Servieren vollständig erwärmt sind.

Um das beste Erwärmungsergebnis zu erzielen, wählen Sie eine zum Speisentyp passende Mikrowellenleistungsstufe aus. Beispielsweise sollte eine Schale Gemüse bei Stufe P-100 erwärmt werden, während eine Lasagne (die ja nicht umgerührt werden kann) bei Stufe P-40 erwärmt werden sollte.

HINWEISE:

- Nehmen Sie die Speisen aus der Folie oder Metallbehältnissen heraus, bevor Sie sie erwärmen.
- Die Erwärmungszeiten werden von der Form, Tiefe, Menge und Temperatur der Speisen und der Größe, Form und dem Material des Behälters ab.



WARNUNG: Erhitzen Sie niemals Flüssigkeiten in schmalen, hohen Gefäßen, da der Inhalt herausspritzt und zu Verbrennungen führen könnte.

- Zur Vermeidung von Überhitzung und Feuer sollte besonders vorsichtig vorgegangen werden, wenn Lebensmittel mit einem besonders hohen Zucker- oder Fettgehalt, wie z. B. gefüllte Süßspeisen oder Früchtepuddings, gegart oder aufgewärmt werden.
- Erhitzen sie niemals Fett oder Öl zum Frittieren, da dies zu Überhitzung oder Bränden führen kann.
- Dosenkartoffeln sollte nicht in einem Mikrowellengerät erhitzt werden, befolgen Sie die Herstellerangaben auf der Dose.



WARNUNG: Der Inhalt von Saugflaschen und Babynahrungsgläser muss vor dem Gebrauch geschüttelt bzw. gerührt und die Temperatur muss vor dem Verzehr geprüft werden, um Verbrennungen zu vermeiden.

FEHLERBEHEBUNG

Wenn Sie denken, dass das Gerät nicht ordentlich funktioniert, gibt es einige einfache Überprüfungen, die Sie selbst durchführen können bevor Sie den Kundendienst rufen. Dies kann Ihnen viel Aufwand ersparen, wenn es sich um einen einfachen Fehler handelt.

Führen Sie die folgende Überprüfung durch:

Geben Sie eine halbe Tasse Wasser auf den Drehteller und schließen Sie die Tür. Stellen Sie den Timer auf 1 Minute Garzeit bei Stufe P-100.

1. Schaltet sich die Gerätelampe beim Garen ein?
2. Funktioniert der Lüfter? (Überprüfen Sie dies, indem Sie Ihre Hand über die Lüftungsöffnungen platzieren.)
3. Ertönt der Signalton nach einer Minute?
4. Ist das Wasser in der Tasse heiß?

Wenn die Antwort auf eine der Fragen „NEIN“ ist, überprüfen Sie, ob das Gerät richtig eingesteckt ist oder die Sicherung durchgebrannt ist. Wenn dies nicht der Fall ist, konsultieren Sie die folgende Tabelle.



WARNUNG: Reparieren, modifizieren oder passen Sie das Gerät niemals selbst an. Die Durchführung von Reparaturarbeiten ist für alle Personen außer den ausgebildeten SHARP-Technikern gefährlich. Dies ist insofern wichtig, da die Entfernung von Schutzabdeckungen zur Freisetzung von Mikrowellen führen kann.

- Die Türabdichtung verhindert das Austreten von Mikrowellen während des Betriebs, aber stellt keine luftdichte Dichtung dar. Daher ist es normal, Wassertropfen oder einen leichten lauwarmen Luftstrom im Türbereich zu bemerken. Aus Lebensmitteln mit einem hohen Feuchtigkeitsgehalt tritt Dampf aus, der zu Kondenswasser im Gerät führt, das aus dem Gerät herastropfen kann.
- Reparaturen und Umbauten: Versuchen Sie nicht, das Gerät in Betrieb zu nehmen, wenn es nicht richtig funktioniert.
- Zugriff auf das Gehäuse & die Lampe: Entfernen Sie niemals das Gehäuse. Das ist extrem gefährlich, aufgrund der Präsenz von elektrisch geladenen Teilen im Innern, deren Berührung tödlich sein kann. Ihr Gerät ist nicht mit einer Lampenabdeckung versehen. Wenn die Lampe kaputtgeht, versuchen Sie nicht, sie selbstständig zu entfernen, rufen Sie den SHARP-Kundendienst.

FEHLERBEHEBUNG-DIAGRAMM

FRAGE	ANTWORT
Ein Luftzug tritt an der Tür auf.	Wenn das Gerät in Betrieb ist, zirkuliert Luft im Garraum. Die Tür ist nicht luftdicht abgeschlossen, daher kann Luft durch die Tür austreten.
Kondenswasser sammelt sich im Gerät an und kann aus der Tür heraustropfen.	Der Garraum wird normalerweise kälter als das Gargut sein und daher wird der beim Garen entstehende Dampf auf der kälteren Oberfläche kondensieren. Die entstandene Dampfmenge hängt vom Wassergehalt des Garguts ab. Manche Lebensmittel, z. B. Kartoffeln sind höchst wasserhaltig. Das Kondenswasser in der Glastür sollte nach ein paar Stunden verschwunden sein.
Blitz- oder Lichtbogenbildung im Garraum beim Garen.	Ein Lichtbogen bildet sich, wenn ein Metallobjekt während des Garens dem Garraum nahekommt. Dies kann möglicherweise die Garraumoberfläche aufrauen, aber wird sonst das Gerät nicht beschädigen.
Lichtbogenbildung bei Kartoffeln.	Stellen Sie sicher, dass Sie alle „Augen“ aus den Kartoffeln entfernt haben und die Kartoffeln eingestochen haben, dann können Sie sie direkt auf den Drehteller in eine hitzebeständige Auflaufform o.ä. geben.
Wenn Sie den Ofen nur im Grillmodus nutzen, ist das Heizelement vielleicht nicht die ganze Zeit über eingeschaltet.	Der Grund dafür ist, dass sich das Grillelement ein- und ausschaltet, damit die Ofentemperatur auf der eingestellten Leistungsstufe bleibt.
Der Grill scheint nicht eingeschaltet zu sein, wenn Sie ihn im Kombinationsmodus verwenden.	Im Modus Kombinationsgaren (Mikrowelle und Grill) schaltet der Backofen zwischen den beiden Funktionen um. Die Mikrowellen- und die Grillfunktion sind niemals zur gleichen Zeit eingeschaltet.
Das Gerät funktioniert nicht, wenn die Taste START/QUICK START gedrückt wird.	Überprüfen Sie, ob die Tür ordnungsgemäß geschlossen ist.
Gerät gart zu langsam.	Überprüfen Sie die eingestellte Leistungsstufe.
Das Gerät produziert Geräusche.	Beim Ein- und Ausschalten der Mikrowellenenergie kann es sein, dass ein Brummen zu hören ist – das ist normal.
Der Ofen macht nach dem Garen ein Geräusch oder scheint noch zu laufen.	Nach dem Abschluss des Garvorgangs kann der Lüfter einige Minuten lang weiterlaufen, um den Ofen abzukühlen. Das ist normal.
Das Gehäuse ist heiß.	Das Gehäuse kann warm werden, halten Sie Kinder von ihm fern.
Auf der Anzeige erscheint „LoC“, wenn eine Taste gedrückt wird.	Nach 30 Sekunden schaltet der Ofen in den Verriegelungsmodus – sodass keine der Tasten mehr funktioniert. Wenn Sie die Tür öffnen und schließen, funktionieren die Tasten wieder. Überprüfen Sie auch, dass sich das Gerät nicht im Verriegelungsmodus befindet.
Auf der Anzeige erscheint „Fehler“ („Fail“) und der Ofen gibt jede Minute einen Piepton von sich.	Dies passiert, wenn die Tasten des Bedienfelds länger als 1 Minute ununterbrochen gedrückt werden – trennen Sie den Ofen einige Minuten lang vom Stromnetz und schließen Sie ihn anschließend wieder an.
Der Ofen piepft alle 30 Sekunden.	Wenn die Tür nach dem Abschluss des Garvorgangs nicht geöffnet wird, ertönt alle 30 Sekunden ein Piepton. Um diesen Piepton abzustellen, öffnen und schließen Sie die Tür.

EHE SIE UNTERSTÜTZUNG ANFORDERN

Ehe Sie einen Service anfordern, überprüfen Sie bitte jeden der folgenden Punkte:

- Vergewissern Sie sich, dass das Gerät sicher eingesteckt ist. Wenn das nicht der Fall ist, ziehen Sie den Stecker aus der Steckdose, warten Sie 10 Sekunden lang und schließen das Gerät anschließend erneut ordnungsgemäß an.
- Vergewissern Sie sich, ob eine Sicherung des Stromkreises durchgebrannt ist oder ein Hauptstromkreisunterbrecher ausgelöst wurde. Wenn diese einwandfrei zu funktionieren scheinen, überprüfen Sie die Steckdose mit einem anderen Gerät.
- Vergewissern Sie sich, dass die Drehknöpfe für Leistung und Timer richtig eingestellt sind.
- Stellen Sie sicher, dass die Tür sicher geschlossen ist und in das Türsicherungssystem einrastet. Andernfalls fließt die Mikrowellenenergie nicht in das Gerät.

WENN KEINER DER OBEN AUFGEFÜHRTEN PUNKTE DAS PROBLEM LÖSEN KANN, WENDEN SIE SICH AN EINEN GESCHULTEN TECHNIKER. VERSUCHEN SIE NICHT, DAS GERÄT SELBST ZU MODIFIZIEREN ODER ZU REPARIEREN.



Προσοχή:

Το προϊόν σας είναι σημαδεμένο με αυτό το σύμβολο. Αυτό σημαίνει ότι χρησιμοποιημένα ηλεκτρικά και ηλεκτρονικά προϊόντα δεν πρέπει να αναμιχθούν με κοινά οικιακά απορρίμματα. Υπάρχει σύστημα ξεχωριστής περισυλλογής για αυτά τα προϊόντα.



www.sharpconsumer.com/contact/



www.sharpconsumer.com/support/



www.sharpconsumer.com/documents-of-conformity/

A. Πληροφορίες απόρριψης για χρήστες (ιδιωτική οικιακή χρήση)

1. Στην Ευρωπαϊκή Ένωση

Προσοχή: Αν θέλετε να απορρίψετε αυτή τη συσκευή παρακαλώ μη χρησιμοποιείτε κανονικούς κάδους απορριμμάτων!

Ο χρησιμοποιημένος ηλεκτρικός και ηλεκτρονικός εξοπλισμός πρέπει να μεταχειρίζεται μεμονωμένα και σύμφωνα με τη νομοθεσία που απαιτεί κατάλληλη μεταχείριση, αποκατάσταση και ανακύκλωση χρησιμοποιημένου ηλεκτρικού και ηλεκτρονικού εξοπλισμού.

Σύμφωνα με την εφαρμογή από τα κράτη-μέλη, τα νοικοκυριά εντός των μελών της ΕΕ μπορούν να επιστρέφουν τον χρησιμοποιημένο ηλεκτρολογικό και ηλεκτρονικό εξοπλισμό σε προσδιορισμένες εγκαταστάσεις συλλογής χωρίς επιβάρυνση*.

Σε ορισμένες χώρες* ο τοπικός μεταπράτης μπορεί να παραλάβει το παλιό σας προϊόν χωρίς επιβάρυνση αν αποκτήσετε ένα παρόμοιο καινούριο.

*) Παρακαλούμε να επικοινωνήσετε με τις τοπικές αρχές για περαιτέρω λεπτομέρειες.

Αν ο χρησιμοποιημένος ηλεκτρικός ή ηλεκτρονικός εξοπλισμός σας έχει μπαταρίες ή συσσωρευτές, παρακαλούμε να τα απορρίψετε νωρίτερα σύμφωνα με τις τοπικές απαιτήσεις. Με τη σωστή απόρριψη αυτού του προϊόντος θα βοηθήσετε στην επιβεβαίωση ότι τα απόβλητα υποβάλλονται την απαραίτητη επεξεργασία, αποκατάστασης και ανακύκλωσης και ότι έτσι αποφεύγονται εν δυνάμει αρνητικές επιδράσεις στο περιβάλλον και στην ανθρώπινη υγεία που μπορούν αλλιώς να προκληθούν εξαιτίας της ανάρμστης μεταχείρισης αποβλήτων.

2. Σε άλλες χώρες εκτός ΕΕ

Αν θέλετε να απορρίψετε αυτό το προϊόν, παρακαλούμε να επικοινωνήσετε με τις τοπικές αρχές και να ρωτήσετε για τη σωστή μέθοδο απόρριψης.

Για την Ελβετία: Οι χρησιμοποιημένες ηλεκτρικές ή ηλεκτρονικές συσκευές μπορούν να επιστραφούν χωρίς χρέωση στο κατάστημα ακόμη και αν δεν θέλετε να αγοράσετε καινούριο προϊόν.

Περισσότερα σημεία περισυλλογής αναγράφονται στις ιστοσελίδες των www.swico.ch και www.sens.ch.

Πληροφορίες απόρριψης για χρήστες (επαγγελματική χρήση)

1. Στην Ευρωπαϊκή Ένωση

Αν το προϊόν χρησιμοποιείται για επαγγελματικούς σκοπούς και θέλετε να το απορρίψετε:

Παρακαλούμε να επικοινωνήσετε με τον προμηθευτή σας που θα σας πληροφορήσει για την ανάληψη του προϊόντος. Μπορεί να χρεωθείτε για τα έξοδα που θα προκύψουν από την ανάληψη και την ανακύκλωση. Μικρά προϊόντα (και μικρά ποσά) μπορούν να αναληφθούν από τοπικές υπηρεσίες περισυλλογής.

Για την Ισπανία: Παρακαλούμε επικοινωνήστε με το καθιερωμένο σύστημα περισυλλογής ή τις τοπικές αρχές για την επιστροφή των χρησιμοποιημένων σας προϊόντων.

2. Σε άλλες χώρες εκτός ΕΕ

Αν θέλετε να απορρίψετε αυτό το προϊόν, παρακαλούμε να επικοινωνήσετε με τις τοπικές αρχές και να ρωτήσετε για τη σωστή μέθοδο απόρριψης.

Για σέρβις, ανατρέξτε στον ιστότοπο www.sharpconsumer.com/contact/, για τα δικαιώματα που απορρέουν από την εγγύηση μεταβείτε στον ιστότοπο www.sharpconsumer.com/support/ ή επικοινωνήστε με τον έμπορο από τον οποίο αγοράσατε το προϊόν. Οι δηλώσεις συμμόρφωσης είναι διαθέσιμες από τον ιστότοπο www.sharpconsumer.com/documents-of-conformity/

ΠΡΟΦΥΛΑΞΕΙΣ ΓΙΑ ΤΗΝ ΑΠΟΦΥΧΗ ΠΙΘΑΝΗΣ ΕΚΘΕΣΗΣ ΣΕ ΕΝΕΡΓΕΙΑ ΜΙΚΡΟΚΥΜΑΤΩΝ

1. Μην επιχειρείτε να λειτουργήσετε αυτό τον φούρνο με την πόρτα ανοιχτή, καθώς αυτό μπορεί να οδηγήσει σε επιβλαβή έκθεση σε ενέργεια μικροκυμάτων. Είναι σημαντικό να μην ακυρώνετε και να μην επεμβαίνετε στις μανταλώσεις ασφάλειας.
2. Μην τοποθετείτε τίποτε ανάμεσα στην πρόσοψη του φούρνου και την πόρτα και μην επιτρέπτε σε ρύπους ή υπολείμματα καθαρισμού να συγκεντρώνονται επάνω στις επιφάνειες σφράγισης.
3. Μη λειτουργείτε τον φούρνο αν έχει υποστεί βλάβη. Είναι πολύ σημαντικό να κλείνει καλά η πόρτα του φούρνου και να μην υπάρχει καμία βλάβη στην πόρτα, στους μεντεσέδες, στα μάνταλα ή στα σφραγίσματα πόρτας και τις επιφάνειες σφράγισης.
4. Μην επιχειρείτε να επισκευάσετε ή να προσαρμόσετε τον φούρνο.

ΠΕΡΙΕΧΟΜΕΝΑ

ΣΗΜΑΝΤΙΚΕΣ ΟΔΗΓΙΕΣ ΑΣΦΑΛΕΙΑΣ.....	3
ΕΓΚΑΤΑΣΤΑΣΗ	12
ΡΑΔΙΟΠΑΡΕΜΒΟΛΕΣ	13
ΟΔΗΓΙΕΣ ΓΕΙΩΣΗΣ	13
ΠΡΟΔΙΑΓΡΑΦΕΣ.....	13
ΦΟΥΡΝΟΣ ΚΑΙ ΕΞΑΡΤΗΜΑΤΑ.....	14
ΠΙΝΑΚΑΣ ΕΛΕΓΧΟΥ	15
ΠΡΙΝ ΧΡΗΣΙΜΟΠΟΙΗΣΕΤΕ ΤΟΝ ΦΟΥΡΝΟ	16
ΡΥΘΜΙΣΗ ΤΟΥ ΡΟΛΟΓΙΟΥ	16
ΜΑΓΕΙΡΕΜΑ ΜΕ ΜΙΚΡΟΚΥΜΑΤΑ.....	17
ΓΡΗΓΟΡΗ ΕΝΑΡΞΗ.....	18
ΜΑΓΕΙΡΕΜΑ ΣΤΟ ΓΚΡΙΛ*	18
ΜΙΚΡΟΚΥΜΑΤΑ + ΓΚΡΙΛ*	18
ΑΥΤΟΜΑΤΟ ΜΕΝΟΥ	19
ΑΥΤΟΜΑΤΗ ΑΠΟΨΥΞΗ.....	22
ΑΥΤΟΜΑΤΟ ΞΑΝΑΣΕΣΤΑΜΑ	22
ΧΡΟΝΟΜΕΤΡΟ ΚΟΥΖΙΝΑΣ	23
ΛΕΙΤΟΥΡΓΙΑ ΕΞΟΙΚΟΝΟΜΗΣΗΣ ΕΝΕΡΓΕΙΑΣ.....	23
ΛΕΙΤΟΥΡΓΙΑ ΣΙΓΑΣΗΣ	24
ΚΛΕΙΔΩΜΑ ΑΣΦΑΛΕΙΑΣ	24
ΠΑΙΔΙΚΟ ΚΛΕΙΔΩΜΑ	24
ΚΑΘΑΡΙΣΜΟΣ ΚΑΙ ΣΥΝΤΗΡΗΣΗ.....	25
ΣΚΕΥΗ ΚΑΤΑΛΛΗΛΑ ΓΙΑ ΧΡΗΣΗ ΜΕ ΤΟ ΦΟΥΡΝΟ.....	26
ΣΥΜΒΟΥΛΕΣ ΜΑΓΕΙΡΕΜΑΤΟΣ ΜΕ ΜΙΚΡΟΚΥΜΑΤΑ	28
ΣΥΜΒΟΥΛΕΣ ΑΠΟΨΥΞΗΣ.....	30
ΣΥΜΒΟΥΛΕΣ ΑΝΑΘΕΡΜΑΝΣΗΣ	31
ΕΠΙΛΥΣΗ ΠΡΟΒΛΗΜΑΤΩΝ	32
ΠΡΙΝ ΚΑΛΕΣΕΤΕ ΓΙΑ ΒΟΗΘΕΙΑ	34

ΣΗΜΑΝΤΙΚΕΣ ΟΔΗΓΙΕΣ ΑΣΦΑΛΕΙΑΣ

ΔΙΑΒΑΣΤΕ ΠΡΟΣΕΚΤΙΚΑ ΚΑΙ ΦΥΛΑΞΤΕ ΓΙΑ ΜΕΛΛΟΝΤΙΚΗ ΑΝΑΦΟΡΑ

Για την αποφυγή του κινδύνου φωτιάς. Ο φούρνος μικροκυμάτων δεν θα πρέπει να αφήνεται χωρίς επίβλεψη κατά τη διάρκεια της λειτουργίας. Επίπεδα ισχύος που είναι υπερβολικά υψηλά, ή χρόνοι μαγειρέματος εξαιρετικά μεγάλοι, μπορούν να υπερθερμάνουν τα φαγητά και να έχουν ως αποτέλεσμα πυρκαγιά.

Αυτός ο φούρνος έχει σχεδιαστεί για χρήση μόνο σε πάγκο. Δεν έχει σχεδιαστεί για ενσωμάτωση σε μονάδα κουζίνας. Μην τοποθετείτε το φούρνο σε ντουλάπι. Η ηλεκτρική παροχή πρέπει να είναι εύκολα προσβάσιμη ώστε η μονάδα να μπορεί να αποσυνδεθεί εύκολα σε περίπτωση ανάγκης.

Η παροχή εναλλασσόμενου ηλεκτρικού ρεύματος πρέπει να είναι 230-240 V, 50 Hz, με ασφάλεια ελάχιστης έντασης 10 A, ή αυτόματο διακόπτη ελάχιστης έντασης 10 A. Πρέπει να παρέχεται ένα ξεχωριστό κύκλωμα που θα εξυπηρετεί μόνο αυτή τη συσκευή.

Μην τοποθετείτε το φούρνο σε περιοχές όπου παράγεται θερμότητα. Κοντά σε ένα συμβατικό φούρνο, για παράδειγμα. Μην εγκαθιστάτε το φούρνο σε περιοχή με υψηλή υγρασία ή σε σημείο όπου μπορεί να συγκεντρωθεί υγρασία. Μην αποθηκεύετε ή χρησιμοποιείτε το φούρνο σε εξωτερικούς χώρους.

Εάν παρατηρήσετε καπνό, σβήστε ή αποσυνδέστε το φούρνο και κρατήστε την πόρτα κλειστή ώστε να καταπνίξετε οποιεσδήποτε φλόγες.

Χρησιμοποιείτε μόνο δοχεία και εργαλεία που είναι κατάλληλα για χρήση σε φούρνο μικροκυμάτων. Τα εργαλεία μαγειρέματος θα πρέπει να ελέγχονται για να βεβαιωθείτε πως είναι κατάλληλα για χρήση σε φούρνο μικροκυμάτων.

Κατά τη θέρμανση φαγητού σε πλαστικά ή χάρτινα δοχεία, παρατηρείτε το φούρνο καθώς υπάρχει πιθανότητα ανάφλεξης.

Μετά τη χρήση, καθαρίστε το κάλυμμα του κυματοδηγού και τον περιστρεφόμενο δίσκο. Αυτά πρέπει να είναι στεγνά και χωρίς λίπη. Το συσσωρευμένο λίπος μπορεί να υπερθερμανθεί και να ξεκινήσει να καπνίζει ή να πιάσει φωτιά.

Μην τοποθετείτε εύφλεκτα υλικά κοντά στο φούρνο ή στα ανοίγματα εξαερισμού. Μην μπλοκάρετε τα ανοίγματα εξαερισμού.

Αφαιρέστε όλα τα μεταλλικά σφραγίσματα, τα σύρματα, κτλ., από το φαγητό και από τις συσκευασίες φαγητού. Τα ηλεκτρικά τόξα που μπορεί να δημιουργηθούν σε μεταλλικές επιφάνειες, μπορεί να προκαλέσουν πυρκαγιά.

Μη χρησιμοποιείτε το φούρνο μικροκυμάτων για να θερμάνετε λάδια για τηγάνισμα. Η θερμοκρασία δεν ελέγχεται και το λάδι μπορεί να αρπάζει φωτιά.

Για να φτιάξετε ποπ-κορν, χρησιμοποιείτε μόνο ειδικούς παρασκευαστές μικροκυμάτων για ποπ-κορν.

Μην αποθηκεύετε φαγητό ή άλλα αντικείμενα μέσα στο φούρνο.

Ελέγξτε τις ρυθμίσεις αφού ξεκινήσετε το φούρνο για να βεβαιωθείτε πως ο φούρνος λειτουργεί όπως επιθυμείτε.

Να επιβλέπετε τον φούρνο κατά τη διάρκεια λειτουργίας του.

Για να αποφύγετε υπερθέρμανση και πυρκαγιά, πρέπει να δίνετε ιδιαίτερη προσοχή όταν μαγειρεύετε ή ξαναζεσταίνετε φαγητό με υψηλό περιεχόμενο ζάχαρης ή λίπους, για παράδειγμα, λουκάνικα, πίτες ή χριστουγεννιάτικη πουτίγκα. Ανατρέξτε στις αντίστοιχες υποδείξεις στο εγχειρίδιο χρήστη.

Για να αποφύγετε την πιθανότητα τραυματισμού. ΠΡΟΕΙ-

ΔΟΠΟΙΗΣΗ:

Μη χρησιμοποιείτε το φούρνο εάν έχει υποστεί βλάβη ή εάν δυσλειτουργεί. Ελέγξτε τα ακόλουθα πριν τη χρήση:

- a) Σιγουρευτείτε ότι η πόρτα κλείνει σωστά και βεβαιωθείτε ότι είναι σωστά ευθυγραμμισμένη και δεν είναι στραβωμένη.
- b) Ελέγξτε για να βεβαιωθείτε πως οι μεντεσέδες και τα μάνταλα ασφαλείας της πόρτας δεν έχουν σπάσει και δεν είναι χαλαρά.
- c) Εξασφαλίστε πως τα σφραγίσματα τις πόρτας και οι επιφάνειες σφράγισης δεν έχουν υποστεί βλάβη.
- d) Βεβαιωθείτε πως δεν υπάρχουν βαθουλώματα στο εσωτερικό του φούρνου ή πάνω στην πόρτα.
- e) Εξασφαλίστε πως το καλώδιο παροχής ρεύματος και το βύσμα δεν έχουν υποστεί βλάβη.

Εάν η πόρτα ή τα σφραγίσματα της πόρτας έχουν υποστεί βλάβη, ο φούρνος δεν πρέπει να τεθεί σε λειτουργία μέχρι να επισκευαστεί από κάποιο αρμόδιο άτομο.

Ποτέ μην προσαρμόζετε, επισκευάζετε ή τροποποιείτε το φούρνο μόνοι σας. Είναι επικίνδυνο για οποιονδήποτε άλλον εκτός από κάποιο αρμόδιο άτομο, να εκτελέσει οποιαδήποτε εργασία σέρβις ή επισκευής που περιλαμβάνει την αφαίρεση του καλύμματος το οποίο προστατεύει από την έκθεση σε ενέργεια μικροκυμάτων.

Μη λειτουργείτε το φούρνο με την πόρτα ανοικτή και μην τροποποιείτε με οποιονδήποτε τρόπο τα μάνταλα ασφαλείας της πόρτας. Μη λειτουργείτε το φούρνο εάν παρεμβάλλεται κάποιο αντικείμενο ανάμεσα στα σφραγίσματα της πόρτας και τις επιφάνειες στεγανοποίησης.

Μην επιτρέπετε τη συσσώρευση λίπους ή βρωμιάς πάνω στα σφραγίσματα της πόρτας και τα γειτνιάζοντα τμήματα. Καθαρίζετε το φούρνο σε τακτά χρονικά διαστήματα

και αφαιρείτε οποιοσδήποτε αποθέσεις τροφής.

Ακολουθείτε τις οδηγίες σχετικά με το θέμα "Καθαρισμός και Συντήρηση". Αποτυχία να διατηρήσετε το φούρνο σε καθαρή κατάσταση θα μπορούσε να οδηγήσει σε αλλοίωση της επιφάνειας η οποία θα μπορούσε να επηρεάσει δυσμενώς τη ζωή της συσκευής και πιθανώς να οδηγήσει σε επικίνδυνη κατάσταση.

Άτομα με ΒΗΜΑΤΟΔΟΤΕΣ πρέπει να συμβουλευτούν τον γιατρό τους ή τον κατασκευαστή του βηματοδότη για προφυλάξεις σχετικά με τους φούρνους μικροκυμάτων.

Για να αποφύγετε την πιθανότητα ηλεκτροπληξίας.

- Σε καμία περίπτωση δεν πρέπει να αφαιρέσετε το εξωτερικό κάλυμμα.
- Ποτέ μη χύνετε ή εισάγετε αντικείμενα στα ανοίγματα της ασφάλειας της πόρτας ή στα ανοίγματα εξαερισμού. Σε περίπτωση διαρροής υγρού, σβήστε και αποσυνδέστε το φούρνο αμέσως, και καλέστε ένα εξουσιοδοτημένο αντιπρόσωπο σέρβις της SHARP.
- Μη βυθίζετε το καλώδιο ή το βύσμα παροχής ρεύματος σε νερό ή σε οποιοδήποτε άλλο υγρό.
- Μην αφήνετε το καλώδιο παροχής ρεύματος να κρέμεται από την άκρη του τραπέζιού ή του πάγκου εργασίας.
- Κρατήστε το καλώδιο παροχής ρεύματος μακριά από θερμές επιφάνειες, συμπεριλαμβανομένου του πίσω μέρους του φούρνου.
- Κρατήστε τη συσκευή και το καλώδιό της μακριά από παιδιά ηλικίας κάτω των 8 ετών.
- Μην επιχειρείτε να αντικαταστήσετε τη λάμπα του φούρνου μόνοι σας, και μην επιτρέπετε σε κάποιον ο οποίος δεν είναι ηλεκτρολόγος εξουσιοδοτημένος από τη SHARP να κάνει κάτι τέτοιο. Εάν η λάμπα του φούρνου παρουσιάσει βλάβη, παρακαλούμε συμβουλευτείτε τον αντιπρόσωπό σας ή ένα εξουσιοδοτημένο αντιπρόσωπο σέρβις της SHARP.

- Αν το καλώδιο τροφοδοσίας έχει υποστεί βλάβη, θα πρέπει να αντικαθίσταται από εξουσιοδοτημένο εκπρόσωπο σέρβις της SHARP.

ΠΡΟΕΙΔΟΠΟΙΗΣΗ: Υγρά και άλλα φαγητά δεν πρέπει να θερμαίνονται σε σφραγισμένα δοχεία εφόσον είναι πιθανό να εκραγούν. Η θέρμανση αναψυκτικών με μικροκύματα μπορεί να οδηγήσει σε καθυστερημένη έκρηξη βρασμού, επομένως πρέπει να δίνεται προσοχή στο χειρισμό του δοχείου. Για να αποφύγετε την πιθανότητα έκρηξης και ξαφνικού βρασμού:

Ποτέ μη χρησιμοποιείτε σφραγισμένα δοχεία. Αφαιρέστε τα σφραγίσματα και τα καπάκια πριν τη χρήση. Τα σφραγισμένα δοχεία μπορεί να εκραγούν εξαιτίας της συσσώρευσης πίεσης ακόμα και όταν ο φούρνος έχει σβήσει. Προσέχετε όταν βάζετε στα μικροκύματα υγρά. Χρησιμοποιείτε δοχεία με φαρδύ στόμιο ώστε να επιτρέπεται η διαφυγή των φυσαλίδων.

Ποτέ μη ζεσταίνετε υγρά σε δοχεία με στενό στόμιο, όπως μπιμπερό, εφόσον αυτό μπορεί να οδηγήσει στην έκρηξη των περιεχομένων από το δοχείο όταν αυτό θερμανθεί, και στην πρόκληση εγκαυμάτων.

Για να αποφύγετε ξαφνική έκρηξη αναβράζοντος υγρού και πιθανό ζεμάτισμα:

1. Μην χρησιμοποιείτε για πολλή ώρα.
2. Ανακατέψτε το υγρό πριν το ζέσταμα/ξαναζέσταμα.
3. Προτείνεται να βάζετε μία γυάλινη ράβδο ή παρόμοια (όχι μεταλλικά) στο υγρό ενώ αναθερμαίνεται.
4. Αφήστε το υγρό να ηρεμήσει για τουλάχιστον 20 δευτερόλεπτα στο φούρνο στο τέλος του χρόνου μαγειρέματος για να αποφύγετε καθυστερημένο εκρηκτικό βρασμό.

Μη μαγειρεύετε αβγά με το τσόφλι τους. Τα βραστά ολόκληρα αβγά δεν πρέπει να ζεσταίνονται στα μικροκύματα

εφόσον μπορεί να εκραγούν ακόμα και αφού το μαγείρεμα έχει λήξει. Για να μαγειρέψετε ή να ξαναζεστάνετε αβγά που δεν έχουν ανακατευτεί και δεν έχουν γίνει ομελέτα, τρυπήστε τους κρόκους και τα ασπράδια. Ξεφλουδίστε και κόψτε σε φέτες τα βρασμένα αβγά προτού τα ξαναζεστάνετε στο φούρνο μικροκυμάτων.

Πριν το μαγείρεμα, διατρυπήστε τη φλούδα/πέτσα φαγητών όπως οι πατάτες, τα λουκάνικα και τα φρούτα, ειδάλλως μπορεί να εκραγούν.

ΠΡΟΕΙΔΟΠΟΙΗΣΗ: Τα περιεχόμενα των μπιμπερό και των βάζων με παιδικές τροφές πρέπει να ανακατεύονται ή να ανακινούνται και πρέπει να ελέγχεται η θερμοκρασία πριν την κατανάλωση, ώστε να αποφευχθούν εγκαύματα. Χρησιμοποιείτε πιάστρες ή γάντια φούρνου όταν απομακρύνετε το φαγητό από το φούρνο για να αποφύγετε εγκαύματα. Για να αποφύγετε την πιθανότητα εγκαυμάτων:

- Πάντα να ανοίγετε τα δοχεία, τους παρασκευαστές ποπ-κορν, τις σακούλες μαγειρέματος για φούρνο, κτλ, μακριά από το πρόσωπο και τα χέρια για να αποφύγετε εγκαύματα από ατμούς και έκρηξη βρασμού. Για να αποφύγετε εγκαύματα, πάντα να ελέγχετε τη θερμοκρασία του φαγητού και να ανακατεύετε πριν το σερβίρισμα και να δίνετε ιδιαίτερη προσοχή στη θερμοκρασία του φαγητού και των ποτών που δίνονται σε μωρά, παιδιά ή ηλικιωμένους. Τα προσβάσιμα τμήματα μπορεί να ζεσταθούν κατά τη διάρκεια της χρήσης. Τα νεαρά παιδιά πρέπει να κρατούνται μακριά.
- Η θερμοκρασία του δοχείου δεν αποτελεί αληθινή ένδειξη της θερμοκρασίας του φαγητού ή του ποτού· ελέγχετε πάντα τη θερμοκρασία φαγητού.
- Να στέκεστε πάντα πίσω από την πόρτα του φούρνου όταν την ανοίγετε, για να αποφύγετε εγκαύματα από ατμούς και θερμότητα που διαφεύγουν.

- Κόβετε σε φέτες γεμιστά φαγητά φούρνου αφού τα ζεστάνετε για να απελευθερωθούν οι ατμοί και να αποφύγετε εγκαύματα.
- Κρατήστε τα παιδιά μακριά από την πόρτα για την προστασία τους από εγκαύματα.

ΠΡΟΕΙΔΟΠΟΙΗΣΗ: Επιτρέπεται σε παιδιά ηλικίας άνω των 8 χρόνων να χρησιμοποιούν το φούρνο χωρίς επίβλεψη μόνο εφόσον τους έχετε παράσχει επαρκείς οδηγίες έτσι ώστε να είναι ικανά να χρησιμοποιούν το φούρνο με ασφάλεια και εφόσον καταλαβαίνουν τους κινδύνους που ενυπάρχουν στην εσφαλμένη χρήση του.

Όταν η συσκευή εκτελεί τις λειτουργίες ΓΚΡΙΛ, ΜΙΞ ΓΚΡΙΛ, ΑΕΡΟΘΕΡΜΟΥ, ΜΙΞ ΑΕΡΟΘΕΡΜΟΥ και ΑΥΤΟΜΑΤΟΥ ΜΕΝΟΥ (λειτουργίες που ισχύουν στο μοντέλο), τα παιδιά πρέπει να χρησιμοποιούν το φούρνο μόνο υπό την επίβλεψη ενηλίκου λόγω της αναπτυσσόμενης θερμοκρασίας.

Η συσκευή αυτή δεν προορίζεται για χρήση από άτομα (περιλαμβανομένων παιδιών) με μειωμένες σωματικές, αισθητήριες ή διανοητικές ικανότητες, ή από άτομα χωρίς εμπειρία ή γνώση, εκτός αν τη χρησιμοποιούν υπό επίβλεψη ή έχουν λάβει οδηγίες σχετικά με τη χρήση της συσκευής από άτομο υπεύθυνο για την ασφάλειά τους.

Τα παιδιά θα πρέπει να επιβλέπονται προκειμένου να διασφαλιστεί ότι δεν θα παίζουν με τη συσκευή. Ο καθαρισμός από παιδιά θα πρέπει να παρακολουθείται.

Τα μοντέλα με ηλεκτρονικό πίνακα αφής έχουν δυνατότητα λειτουργίας παιδικού κλειδώματος.

Μη γέρνετε πάνω στην πόρτα του φούρνου και μην κάνετε κούνια πάνω της. Μην παίζετε με το φούρνο, ούτε να τον χρησιμοποιείτε ως παιχνίδι.

Τα παιδιά πρέπει να μαθαίνουν όλες τις σημαντικές οδηγίες ασφάλειας: χρήση πιαστρών, προσεκτική αφαίρεση καλυμμά-

των φαγητού· να δίνεται ιδιαίτερη προσοχή στις συσκευασίες (π.χ. αυτοθερμαινόμενα υλικά) που είναι σχεδιασμένες να κάνουν το φαγητό τραγανό, μιας και μπορεί να είναι υπερβολικά ζεστές.

Άλλες προειδοποιήσεις

Ποτέ μην τροποποιείτε το φούρνο με κανένα τρόπο.

Μη μετακινείτε το φούρνο ενώ βρίσκεται σε λειτουργία.

Αυτή η συσκευή προορίζεται μόνο για χρήση σε σπίτι. Αυτός ο φούρνος προορίζεται για οικιακή παρασκευή φαγητού και μπορεί να χρησιμοποιηθεί μόνο για την παρασκευή φαγητών και ροφημάτων. Η ξήρανση φαγητού ή το στέγνωμα ρούχων, όπως και η χρήση για να ζεσταίνονται θερμοκύστες, παντόφλες, σφουγγάρια, νωπά ρούχα και παρόμοια μπορεί να οδηγήσει σε κίνδυνο τραυματισμού, ανάφλεξης ή φωτιάς. Δεν είναι κατάλληλος για εμπορική ή εργαστηριακή χρήση.

Για να συμβάλλετε στην ομαλή χρήση του φούρνου σας και να αποφύγετε βλάβη.

Ποτέ να μη λειτουργείτε το φούρνο ενώ είναι άδειος. Κατά τη χρήση σκεύους ψησίματος ή αυτοθερμαινόμενου υλικού, να τοποθετείτε πάντα ένα θερμομονωτικό στοιχείο από κάτω, όπως πιάτο πορσελάνης, για τη αποφυγή πρόκλησης ζημιάς στη βάση του φούρνου λόγω θερμικής καταπόνησης. Δεν πρέπει να υπερβαίνεται ο χρόνος προθέρμανσης που προσδιορίζεται στις οδηγίες του σκεύους.

Μη χρησιμοποιείτε μεταλλικά σκεύη, τα οποία εκτρέπουν τα μικροκύματα και μπορούν να προκαλέσουν ηλεκτρικά τόξα. Μην τοποθετείτε μεταλλικά κουτιά στο φούρνο.

Για την αποφυγή της θραύσης του περιστρεφόμενου δίσκου ή της βάσης του φούρνου:

- a) Πριν καθαρίσετε με νερό, αφήστε χρόνο να κρυώσει.
- b) Μη βάζετε θερμά ή κρύα φαγητά ή θερμά σκεύη πάνω στην κρύα βάση του φούρνου.

c) Μην τοποθετείτε τίποτα στο εξωτερικό περίβλημα κατά τη διάρκεια της λειτουργίας.

ΣΗΜΕΙΩΣΗ:

Μη χρησιμοποιείτε πλαστικά δοχεία για θέρμανση με μικροκύματα εάν ο φούρνος είναι ακόμη θερμός λόγω χρήσης συνδυαστικής λειτουργίας (ανάλογα με το μοντέλο φούρνου) διότι μπορεί να λιώσουν.

Τα πλαστικά δοχεία δεν πρέπει να χρησιμοποιούνται κατά τις παραπάνω λειτουργίες εκτός εάν ο κατασκευαστής των δοχείων δηλώνει πως είναι κατάλληλα.

Εάν δεν είστε σίγουροι σχετικά με το πώς να συνδέσετε το φούρνο σας, παρακαλούμε συμβουλευτείτε ένα εξουσιοδοτημένο, διαπιστευμένο ηλεκτρολόγο.

Ούτε ο κατασκευαστής ούτε ο αντιπρόσωπος μπορούν να δεχτούν ευθύνη για βλάβη του φούρνου ή ατομικό τραυματισμό που προέρχεται από αστοχία τήρησης της ορθής διαδικασίας ηλεκτρικής σύνδεσης.

Περιστασιακά μπορεί να σχηματιστούν στους τοίχους του φούρνου ή γύρω από τα σφραγίσματα της πόρτας και τις επιφάνειες σφράγισης, υδρατμοί ή σταγόνες. Αυτό είναι φυσιολογικό και δεν είναι ένδειξη διαρροής του φούρνου ή δυσλειτουργίας.

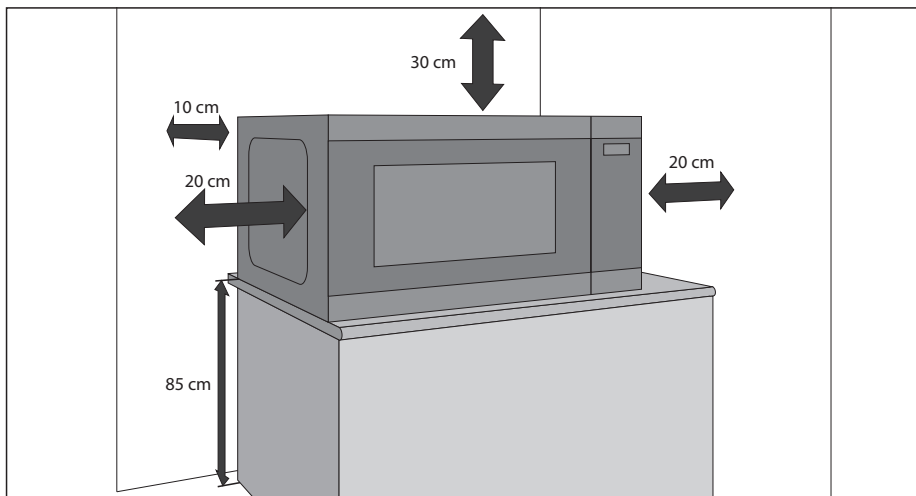
Αυτή η συσκευή προορίζεται για χρήση σε σπίτι και παρόμοιες εφαρμογές, όπως: χώρους κουζίνας που απευθύνονται σε προσωπικό καταστημάτων, γραφείων και άλλων επαγγελματικών χώρων / αγροκτήματα χρήση από πελάτες ξενοδοχείων, μοτέλ και χώρων διαμονής άλλου τύπου / χώρους τύπου ξενώνα.



Αυτό το σύμβολο υποδηλώνει ότι οι επιφάνειες είναι πιθανό να ζεσταθούν κατά τη χρήση.

ΕΓΚΑΤΑΣΤΑΣΗ

1. Αφαιρέστε κάθε υλικό συσκευασίας από το εσωτερικό του φούρνου και αφαιρέστε οποιαδήποτε προστατευτική μεμβράνη βρίσκεται στην επιφάνεια του εξωτερικού καλύμματος του φούρνου μικροκυμάτων.
2. Ελέγξτε το φούρνο προσεκτικά για οποιαδήποτε σημάδια βλάβης.
3. Τοποθετήστε το φούρνο πάνω σε μια ασφαλή, επίπεδη επιφάνεια που αντέχει το βάρος του φούρνου και επιπλέον το βαρύτερο αντικείμενο που είναι πιθανό να θερμανθεί μέσα στο φούρνο. Μην τοποθετείτε το φούρνο μέσα σε ντουλάπι.
4. Επιλέξτε μια επίπεδη επιφάνεια με επαρκή ελεύθερο χώρο για τις οπές εισόδου και/ή εξόδου αέρα. Ανατρέξτε στην εικόνα της πρώτης σελίδας. Η πίσω επιφάνεια της συσκευής μπορεί να καλύπτεται από τοίχο.
 - Ελεύθερο ύψος εγκατάστασης τουλάχιστον 85 εκ.
 - Απαιτείται ελάχιστος χώρος τουλάχιστον 20 εκ. ανάμεσα στις πλευρές του φούρνου μικροκυμάτων και οποιουδήποτε γειτονικούς τοίχους ή αντικείμενα.
 - Αφήστε ελάχιστο χώρο τουλάχιστον 30 εκ. πάνω από το φούρνο.
 - Μην αφαιρείτε τα πόδια από τη βάση του φούρνου.
 - Η φραγή των ανοιγμάτων εισόδου και/ή εξόδου αέρα μπορεί να προκαλέσει βλάβη στο φούρνο.
 - Τοποθετήστε το φούρνο όσο το δυνατόν μακρύτερα από ραδιόφωνα και τηλεοράσεις. Η λειτουργία του φούρνου μικροκυμάτων μπορεί να προκαλέσει παρεμβολές στη λήψη από το ραδιόφωνο ή την τηλεόρασή σας.



5. Συνδέστε με ασφάλεια το βύσμα τροφοδοσίας του φούρνου σε μια γειωμένη οικιακή ηλεκτρική πρίζα.

ΠΡΟΕΙΔΟΠΟΙΗΣΗ:

Μην τοποθετείτε το φούρνο σε σημεία όπου παράγεται θερμότητα, υδρατμική ή υψηλή επίπεδα υγρασίας (για παράδειγμα, κοντά σε ή πάνω από συμβατικό φούρνο) ή κοντά σε υλικά που αναφλέγονται (για παράδειγμα, κουρτίνες).

Μην φράσσετε ή εμποδίζετε τα ανοίγματα εξαερισμού.

Μην τοποθετείτε αντικείμενα πάνω από το φούρνο.

Μην ακουμπάτε το εξωτερικό του φούρνου μικροκυμάτων κατά τη διάρκεια ή αμέσως μετά τη λειτουργία, καθώς θα είναι θερμό.

ΡΑΔΙΟΠΑΡΕΜΒΟΛΕΣ

Η λειτουργία μικροκυμάτων είναι πιθανό να προκαλέσει παρεμβολές στο ραδιόφωνο, την τηλεόραση, ή παρόμοιο εξοπλισμό. Αν παρατηρούνται παρεμβολές, μπορούν να μειωθούν ή να εξαλειφθούν λαβαίνοντας τα ακόλουθα μέτρα:

1. Καθαρίστε την περιοχή επαφής της πόρτας και της κοιλότητας του φούρνου,
2. Αλλάξτε την κατεύθυνση της κεραίας λήψης του ραδιοφώνου ή της τηλεόρασης.
3. Τοποθετήστε σε άλλη θέση τον φούρνο μικροκυμάτων σε σχέση με τον δέκτη.
4. Συνδέστε τον φούρνο μικροκυμάτων σε διαφορετική πρίζα ώστε ο φούρνος μικροκυμάτων και ο δέκτης να μη βρίσκονται στην ίδια γραμμή παροχής ρεύματος.

ΟΔΗΓΙΕΣ ΓΕΙΩΣΗΣ

Αυτή η συσκευή πρέπει να γειωθεί. Ο φούρνος είναι εξοπλισμένος με ένα καλώδιο που περιέχει αγωγό γείωσης με βύσμα γείωσης. Πρέπει να συνδεθεί σε πρίζα που έχει εγκατασταθεί σωστά με κατάλληλη γείωση. Σε περίπτωση βραχυκύκλωσης, η γείωση μειώνει τον κίνδυνο ηλεκτροπληξίας καθώς διαθέτει αγωγό διαφυγής για το ηλεκτρικό ρεύμα. Συστήνεται να παρέχεται ξεχωριστό κύκλωμα για εξυπηρέτηση μόνο του φούρνου.



ΠΡΟΕΙΔΟΠΟΙΗΣΗ: Εσφαλμένη χρήση του βύσματος γείωσης μπορεί να προκαλέσει κίνδυνο ηλεκτροπληξίας.

ΣΗΜΕΙΩΣΗ:

1. Αν έχετε οποιαδήποτε ερώτηση σχετικά με τις οδηγίες γείωσης ή ηλεκτρολογικά θέματα, συμβουλευτείτε έναν εξουσιοδοτημένο τεχνικό σέρβις.
2. Ούτε ο κατασκευαστής ούτε ο αντιπρόσωπος μπορούν να δεχτούν ευθύνη για βλάβη του φούρνου ή ατομικό τραυματισμό που προέρχεται από αστοχία τήρησης της διαδικασίας ηλεκτρικής σύνδεσης.

Στον αγωγό παροχής ρεύματος που χρησιμοποιείται στον φούρνο μικροκυμάτων χρησιμοποιούνται καλώδια του εξής χρωματικού κώδικα:

Πράσινο και Κίτρινο = ΓΕΙΩΣΗ

Μπλε = ΟΥΔΕΤΕΡΟΣ

ΚΑΦΕ = ΡΕΥΜΑ

ΠΡΟΔΙΑΓΡΑΦΕΣ

Όνομα μοντέλου:	YC-PS204A	YC-PS234A	YC-PS254A	YC-PG204A	YC-PG234A	YC-PG254A	YC-PG284A
Τάση γραμμής Εναλλασσόμενου Ρεύματος	230~240 V, 50 Hz μόνιμης φάσης						
Ασφάλεια γραμμής διανομής/αυτόματος διακόπτης:	10 A						
Ισχύς:	Ασφαλή για χρήση με	700 W	900 W	900 W	900 W	900 W	900 W
Γκράμ	Γκράμ			900 W	1000 W	1000 W	1000 W
	Απενεργοποιημένη κατάσταση	<0,5 W					
	Κατάσταση εξοικονόμησης ενέργειας	>0,5 W					
Απαιτούμενη εναλλασσόμενη ισχύς	1200 W	1400 W	1400 W	1400 W	1400 W	1400 W	1400 W
Συχνότητα Μικροκυμάτων	2450 MHz*						
Εξωτερικές διαστάσεις (Π) x (Υ) x (Β) mm	455 x 274 x 334	483 x 281 x 377	483 x 281 x 403	455 x 274 x 345	483 x 281 x 395	483 x 281 x 403	539 x 309 x 441
Εσωτερικές διαστάσεις (Π) x (Υ) x (Β)** mm	315 x 198 x 297	340 x 220 x 320	340 x 220 x 344	315 x 198 x 297	340 x 220 x 320	340 x 220 x 344	354 x 220 x 358
Χωρητικότητα Φούρνου	20 λίτρα**	23 λίτρα**	25 λίτρα**	20 λίτρα**	25 λίτρα**	25 λίτρα**	28 λίτρα**
Διάμετρος περιστρεφόμενου δίσκου	245 mm	270 mm	270 mm	245 mm	270 mm	270 mm	325 mm
Μέγεθος σφάρας γκράμ (Π) x (Β) mm				190 x 79	80 x 208	80 x 208	89 x 285
Βάρος	περ. 10,5 kg.	περ. 12,9 kg.	περ. 13,5 kg.	περ. 10,9 kg.	περ. 13,9 kg.	περ. 13,7 kg.	περ. 16,6 kg.
Λυχνία φούρνου (τύπου LED)				1,5W			

* - Το προϊόν αυτό πληροί την απαίτηση του ευρωπαϊκού προτύπου EN55011. Σε συμμόρφωση με αυτό το πρότυπο, το προϊόν αυτό ταξινομείται ως εξοπλισμός ομάδας 2 κλάσης Β.

Η Ομάδα 2 σημαίνει πως ο εξοπλισμός αυτός παράγει σκόπιμα ενέργεια ραδιοσυχνότητας υπό τη μορφή ηλεκτρομαγνητικής ακτινοβολίας για τη θερμική κατεργασία φαγητών.

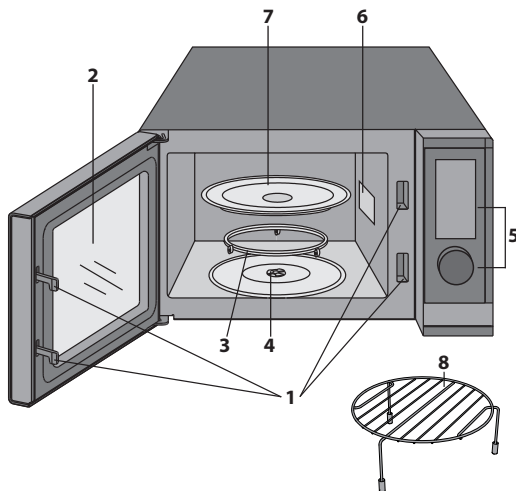
Η Κλάση Β σημαίνει πως ο εξοπλισμός είναι κατάλληλος για χρήση σε οικιακό περιβάλλον.

** - Η εσωτερική χωρητικότητα υπολογίζεται μετρώντας το μέγιστο πλάτος, βάθος και ύψος. Η πραγματική χωρητικότητα υποδοχής φαγητού είναι μικρότερη.

ΩΣ ΜΕΡΟΣ ΤΗΣ ΠΟΛΙΤΙΚΗΣ ΣΥΝΕΧΟΥΣ ΒΕΛΤΙΩΣΗΣ, ΔΙΑΤΗΡΟΥΜΕ ΤΟ ΔΙΚΑΙΩΜΑ ΝΑ ΤΡΟΠΟΠΟΙΗΣΟΥΜΕ ΤΟ ΣΧΕΔΙΑΣΜΟ ΚΑΙ ΤΙΣ ΠΡΟΔΙΑΓΡΑΦΕΣ ΧΩΡΙΣ ΠΡΟΕΙΔΟΠΟΙΗΣΗ.

ΦΟΥΡΝΟΣ ΚΑΙ ΕΞΑΡΤΗΜΑΤΑ

1. Σύστημα ασφάλισης πόρτας
2. Παράθυρο φούρνου
3. Δακτύλιος κύλισης
4. Σύνδεσμος περιστρεφόμενου δίσκου
5. Περιστρεφόμενο κουμπί και κουμπιά ελέγχου
6. Κάλυμμα κυματοδηγού (Μην αφαιρείτε)
7. Γυάλινος δίσκος
8. Σχάρα γκριλ για YC-PG204A, YC-PG234A, YC-PG254A και YC-PG284A
9. Ανοίγματα εξαερισμού
10. Εξωτερικό κάλυμμα
11. Καλώδιο παροχής ρεύματος



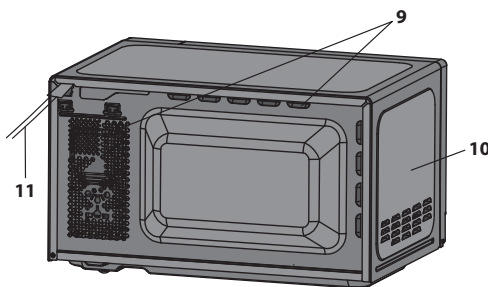
Ελέγξτε για να βεβαιωθείτε ότι παρέχονται τα παρακάτω εξαρτήματα:

Μόνο για φούρνους γκριλ:

- **Σχάρα γκριλ** – για χρήση κατά το μαγείρεμα μόνο με τη λειτουργία γκριλ.
- Η σχάρα γκριλ έχει σχεδιαστεί για χρήση μόνο με φούρνους γκριλ. ΜΗ χρησιμοποιείτε τη σχάρα όταν χρησιμοποιείτε τη λειτουργία μικροκυμάτων.
- Για να χρησιμοποιήσετε τη σχάρα γκριλ, ανατρέξτε στις ενότητες ΓΚΡΙΛ σε αυτό το χειριρίδιο χρήστη.

Μην ακουμπάτε ποτέ το γκριλ όταν είναι ζεστό.

ΣΗΜΕΙΩΣΗ: Κατά την παραγγελία εξαρτημάτων, αναφέρετε δύο στοιχεία: το όνομα του ανταλλακτικού και το όνομα του μοντέλου.



ΣΗΜΕΙΩΣΕΙΣ:

- Μετά το μαγείρεμα φαγητών με λίπη χωρίς κάλυμμα, πάντα να καθαρίζετε διεξοδικά το εσωτερικό· αυτό πρέπει να είναι στεγνό και χωρίς λίπος. Το μαζεμένο λίπος μπορεί να υπερθερμανθεί και να αρχίσει να καπνίζει ή να πιάσει φωτιά.
- Κατά τη λειτουργία μικροκυμάτων, πάντοτε να τοποθετείτε ένα σκεύος πάνω στον περιστρεφόμενο δίσκο.
- ΜΗ χρησιμοποιείτε τη σχάρα γκριλ κατά το μαγείρεμα μόνο με μικροκύματα.



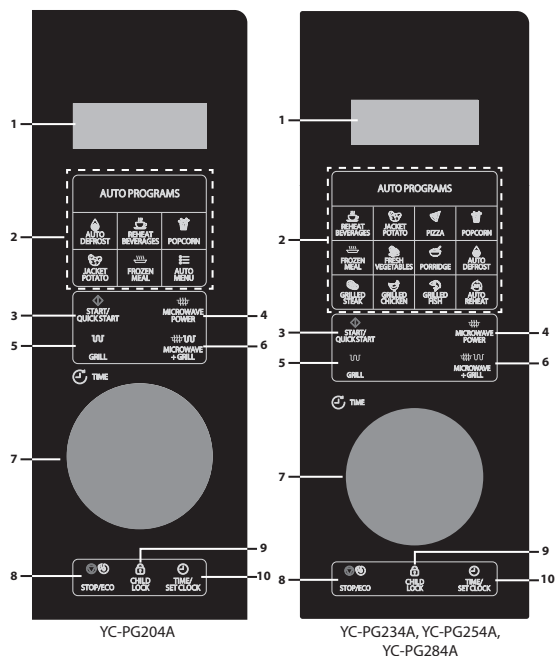
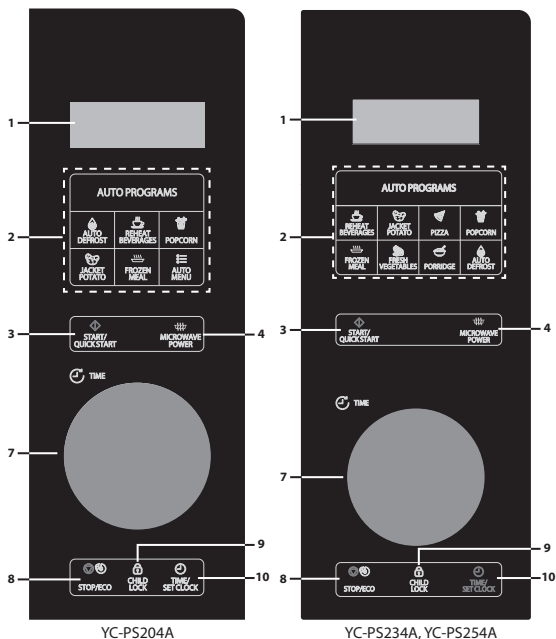
ΠΡΟΕΙΔΟΠΟΙΗΣΗ:



Αυτό το σύμβολο σημαίνει ότι οι επιφάνειες μπορούν να γίνουν καυτές κατά τη διάρκεια της χρήσης. Η πόρτα, το εξωτερικό κάλυμμα, το εσωτερικό του φούρνου, τα εξαρτήματα και τα πιάτα θα γίνουν πολύ ζεστά κατά τη διάρκεια της λειτουργίας. Για να αποφύγετε εγκαύματα, πάντα να φοράτε χοντρά γάντια φούρνου.

ΠΙΝΑΚΑΣ ΕΛΕΓΧΟΥ

- ΨΗΦΙΑΚΗ ΟΘΟΝΗ** – Προβάλλονται χρόνος μαγειρέματος, ισχύς, ενδείξεις και τρέχουσα ώρα.
- Κουμπιά AUTO MENU (Αυτόματα μενού)**– Πατήστε για επιλογή μενού αυτόματου μενού. (Ανατρέξτε στη σελίδα 19 για συμβουλή σχετικά με τη χρήση).
- START/QUICK START (ΕΝΑΡΞΗ/ΓΡΗΓΟΡΗ ΕΝΑΡΞΗ)**– (Σελίδα 18).
- MICROWAVE POWER (ΙΣΧΥΣ ΜΙΚΡΟΚΥΜΑΤΩΝ)** – Πιέστε το για να επιλέξετε το επίπεδο ισχύος μικροκυμάτων. (Σελίδα 17).
- GRILL (ΓΚΡΙΑ)** – Πιέστε το για να ορίσετε πρόγραμμα μαγειρέματος με γκριλ. (Σελίδα 18).
- MICROWAVE+GRILL (ΜΙΚΡΟΚΥΜΑΤΑ+ΓΚΡΙΑ)** – Πιέστε για να ορίσετε πρόγραμμα μαγειρέματος με συνδυασμό μικροκυμάτων και γκριλ. (Σελίδα 18).
- ΠΕΡΙΣΤΡΕΦΟΜΕΝΟ ΚΟΥΜΠΙ** – Γυρίστε κατά τη φορά των δεικτών του ρολογιού ή αντίθετα, για να ορίσετε διάφορες λειτουργίες.
- STOP/ECO** – Πιέστε μία φορά για προσωρινή διακοπή μαγειρέματος, ή δύο φορές για γενική ακύρωση του μαγειρέματος. Χρησιμοποιείται για να ορίσετε τη λειτουργία εξοικονόμησης ενέργειας. (Σελίδα 23).
- CHILD LOCK (ΠΑΙΔΙΚΟ ΚΛΕΙΔΩΜΑ)** – (Σελίδα 24).
- TIME/SET CLOCK (ΧΡΟΝΟΣ/ΡΥΘΜΙΣΗ ΡΟΛΟΓΙΟΥ)** – Χρησιμοποιείται για ρύθμιση της ώρας. Χρησιμοποιείται για ρύθμιση της λειτουργίας χρονοδιακόπτη (Σελίδα 16).



ΠΡΙΝ ΧΡΗΣΙΜΟΠΟΙΗΣΕΤΕ ΤΟΝ ΦΟΥΡΝΟ

Όταν συνδέσετε για πρώτη φορά τον φούρνο, ακούγεται ένας ήχος και εμφανίζεται στην οθόνη η ένδειξη "1:00". Σημειώστε πως δεν χρειάζεται να ρυθμίσετε το ρολόι για να λειτουργήσει σωστά ο φούρνος. Για να ρυθμίσετε το ρολόι, ακολουθήστε τις οδηγίες στην ενότητα "**Ρύθμιση του ρολογιού**" σε αυτό το εγχειρίδιο χρήστη.

Κατά την πρώτη φορά χρήσης του νέου γκριλ, μπορεί να σχηματιστεί βγει καπνός και μυρωδιές. Για να αποφευχθεί αυτό κατά το μαγείρεμα φαγητού, χρησιμοποιήστε τη λειτουργία γκριλ χωρίς φαγητό για περ. 20 λεπτά.

- Αφού ανοίξει και κλείσει η πόρτα, ο φούρνος μεταβαίνει στην κατάσταση αναμονής. Αν δεν πατηθεί κανένα κουμπί για 1 λεπτό, η οθόνη παραμένει ενεργοποιημένη και τα κουμπιά δεν λειτουργούν. Για μετάβαση ξανά σε κατάσταση αναμονής, ανοίξτε και κλείστε την πόρτα.
- Κατά το μαγείρεμα, αν πατηθεί το κουμπί **STOP/ECO** μία φορά, τίθεται σε παύση ο κύκλος μαγειρέματος. Για συνέχιση του μαγειρέματος, πατήστε το κουμπί **START/QUICK START**. Αν πατηθεί το κουμπί **STOP/ECO** δύο φορές, ακυρώνεται το μαγείρεμα.
- Όταν προγραμματίζετε τον φούρνο για συγκεκριμένη λειτουργία και περάσουν 30 δευτερόλεπτα μεταξύ του πατήματος των κουμπιών, ο φούρνος επανέρχεται σε κατάσταση αναμονής.
- Όταν ολοκληρωθεί ο κύκλος μαγειρέματος, στην οθόνη εμφανίζεται η ένδειξη "**End**" (Λήξη) και ακούγεται ένας τόνος κάθε δύο λεπτά ώσπου να πατηθεί ένα κουμπί ή να ανοιχτεί η πόρτα.

ΡΥΘΜΙΣΗ ΤΟΥ ΡΟΛΟΓΙΟΥ

Ο φούρνος έχει ένα ρολόι που με λειτουργία είτε 12 είτε 24 ωρών. Για να ορίσετε το ρολόι, ακολουθήστε τις παρακάτω οδηγίες:

1. Σε κατάσταση αναμονής, πατήστε και κρατήστε το κουμπί **TIME/SET CLOCK** για τουλάχιστον 3 δευτερόλεπτα για μετάβαση στη λειτουργία ρύθμισης ρολογιού.
 2. Πατήστε το κουμπί **TIME/SET CLOCK** για να επιλέξετε τη λειτουργία ρολογιού 12 ή 24 ωρών.
 3. Γυρίστε το **ΠΕΡΙΣΤΡΕΦΟΜΕΝΟ ΚΟΥΜΠΙ** για να ρυθμίσετε την ώρα. Πατήστε το κουμπί **TIME/SET CLOCK** για αποθήκευση.
 4. Γυρίστε το **ΠΕΡΙΣΤΡΕΦΟΜΕΝΟ ΚΟΥΜΠΙ** για να ρυθμίσετε τα λεπτά. Πατήστε το κουμπί **TIME/SET CLOCK** για αποθήκευση και έξοδο από τη λειτουργία ρύθμισης ρολογιού.
- Δεν είναι απαραίτητο να ρυθμίσετε το ρολόι για την κανονική λειτουργία του φούρνου.
 - Κατά τη διάρκεια λειτουργίας μαγειρέματος, πατήστε το κουμπί **TIME/SET CLOCK** για να δείτε την ώρα (αν έχει ρυθμιστεί). Η ώρα δίνει τη θέση της ξανά στην αντίστροφη μέτρηση μαγειρέματος μετά από πέντε δευτερόλεπτα. Σημειώστε πως η ώρα δεν μπορεί να προβληθεί αν έχει οριστεί ο χρονοδιακόπτης κουζίνας.

ΜΑΓΕΙΡΕΜΑ ΜΕ ΜΙΚΡΟΚΥΜΑΤΑ

Για να χρησιμοποιήσετε τη λειτουργία μικροκυμάτων, ακολουθήστε τις παρακάτω οδηγίες:

1. Σε κατάσταση αναμονής, πατήστε το κουμπί **MICROWAVE POWER** για να επιλέξετε επίπεδο ισχύος. Κάθε φορά που πατάτε το κουμπί, στην οθόνη εμφανίζεται το επίπεδο ισχύος μικροκυμάτων.
2. Αφού επιλεχτεί το επιθυμητό επίπεδο ισχύος μικροκυμάτων, γυρίστε το **ΠΕΡΙΣΤΡΕΦΟΜΕΝΟ ΚΟΥΜΠΙ** για επιλογή του χρόνου μαγειρέματος.
3. Πατήστε το κουμπί **START/QUICK START** για να αρχίσει το μαγείρεμα.
4. Όταν ολοκληρωθεί ο κύκλος μαγειρέματος, στην οθόνη εμφανίζεται η ένδειξη **"End"** (Λήξη) και ακούγεται ένας τόνος κάθε δύο λεπτά ώσπου να πατηθεί ένα κουμπί ή να ανοιχτεί η πόρτα.

Σημειώστε πως ο παρακάτω πίνακας είναι ενδεικτικός. Ο φούρνος σας έχει 5 επίπεδο ισχύος μικροκυμάτων. Αυτά είναι 20%, 40%, 60%, 80% και 100%. Τα πραγματικά βατ εξόδου μπορούν να υπολογιστούν πολλαπλασιάζοντας την ισχύ μικροκυμάτων με το ποσοστό.

Οδηγός μαγειρέματος μικροκυμάτων:

Οθόνη	Ισχύς Μικροκυμάτων	Συστηνόμενη χρήση
P100	100 %	Χρησιμοποιήστε αυτή τη ρύθμιση για γρήγορο μαγείρεμα ή αναθέρμανση π.χ. για φαγητά κατασρόλας, ζεστά ποτά, λαχανικά κ.τ.λ.
P-80	80 %	Για στερεές τροφές που απαιτούν περισσότερο χρόνο μαγειρέματος όταν μαγειρεύονται με συμβατικούς τρόπους, π.χ. πιάτα βοδινού. Προτείνεται να χρησιμοποιείτε αυτή τη ρύθμιση ενέργειας για να βεβαιωθείτε πως το κρέας θα είναι μαλακό.
P-60	60 %	Χρησιμοποιείται για παρατεταμένο μαγείρεμα συμπαγών τροφών όπως ψητά με κόκαλο, ρολό κιμά και πλήρη γεύματα, καθώς και για ευαίσθητα πιάτα όπως σάλτσες τυριού και αφράτα κέικ.
P-40	40 %	Ρύθμιση απόψυξης: επιλέξτε αυτή τη ρύθμιση ενέργειας, για να βεβαιωθείτε πως το φαγητό θα αποψυχθεί ομοιόμορφα. Αυτή η ρύθμιση είναι επίσης ιδανική για σιγοβρασμένο ρύζι, μακαρόνια, μπουλέττες και μαγείρεμα κρέμας αβγού.
P-20	20 %	Για αργή απόψυξη, π.χ. για τούρτες ή ζύμη.

- Κατά τη διάρκεια του μαγειρέματος μπορείτε να ελέγχετε το επίπεδο ισχύος μικροκυμάτων πατώντας και κρατώντας πατημένο το κουμπί **ΙΣΧΥΣ ΜΙΚΡΟΚΥΜΑΤΩΝ**.
- Ο μεγαλύτερος χρόνος μαγειρέματος είναι 95 λεπτά.

ΓΡΗΓΟΡΗ ΕΝΑΡΞΗ

Αν θέλετε να μαγειρέψετε σε επίπεδο ισχύος 100%, απλώς πατήστε το κουμπί **START/QUICK START** ή το **ΠΕΡΙΣΤΡΕΦΟΜΕΝΟ ΚΟΥΜΠΙ** ενώ ο φούρνος βρίσκεται σε κατάσταση αναμονής. Κάθε φορά που πατάτε το κουμπί **START/QUICK START**, προστίθενται 30 δευτερόλεπτα στον χρόνο μαγειρέματος.

ΜΑΓΕΙΡΕΜΑ ΣΤΟ ΓΚΡΙΛ*

Το θερμαντικό στοιχείο του γκριλ στο πάνω μέρος της κοιλότητας του φούρνου έχει μόνο μία ρύθμιση ισχύος, είναι αποδοτικό και οικονομικό. Το γκριλ είναι ιδανικό για να ψήσετε μπέικον, φέτες χοιρινού ποδιού (χαμόν), ψαροκροκέτες και κέικ.

Χρησιμοποιήστε τη σχάρα γκριλ για το ψήσιμο μικρών τεμαχίων φαγητού όπως μπέικον και λουκάνικα, αναποδογυρίζοντάς τα στη μέση του χρόνου ψήσιματος με γκριλ. Τα φαγητά μπορούν να τοποθετούνται απευθείας στη σχάρα ή μέσα σε πυρίμαχο σκεύος ή πυράντοχο πιάτο. Για να φροντίσετε για τυχόν λίπος που μπορεί να στάξει από το φαγητό που ψήνεται, βεβαιωθείτε πως υπάρχει κατάλληλος δίσκος κάτω από τη σχάρα γκριλ.

Όταν ξεροψηνείτε την κρούστα φαγητών κασαρόλας, η σχάρα γκριλ μπορεί να χρησιμοποιηθεί αν το το δοχείο είναι αρκετά ρηχό. Ωστόσο, συστήνεται να τοποθετείτε τέτοια δοχεία απευθείας στον περιστρεφόμενο δίσκο και να αφήνετε λίγο παραπάνω χρόνο για μα ξεροψηθεί όπως θέλετε. Δεν είναι δυνατή η χρήση της σχάρας γκριλ για το μαγείρεμα με γκριλ.

Για να χρησιμοποιήσετε τη λειτουργία γκριλ, ακολουθήστε τις παρακάτω οδηγίες:

1. Σε κατάσταση αναμονής, πατήστε το κουμπί **GRILL** για να επιλέξετε τη λειτουργία γκριλ. Στην οθόνη εμφανίζεται η ένδειξη **"Grill"**
2. Γυρίστε το **ΠΕΡΙΣΤΡΕΦΟΜΕΝΟ ΚΟΥΜΠΙ** για να επιλέξετε τον χρόνο μαγειρέματος.
3. Πατήστε το κουμπί **START/QUICK START** για να αρχίσει το μαγείρεμα.
4. Όταν ολοκληρωθεί ο κύκλος μαγειρέματος, στην οθόνη εμφανίζεται η ένδειξη **"End"** (Λήξη) και ακούγεται ένας τόνος κάθε 2 λεπτά ώσπου να πατηθεί ένα κουμπί ή να ανοιχτεί η πόρτα.

* - Μόνο για μοντέλα με γκριλ.

ΜΙΚΡΟΚΥΜΑΤΑ + ΓΚΡΙΛ*

Χρησιμοποιώντας λειτουργία μικροκυμάτων και γκριλ, είναι δυνατό να ροδίσετε και να ψήσετε φαγητό γρήγορα. Για να χρησιμοποιήσετε τη λειτουργία μικροκυμάτων και γκριλ, ακολουθήστε τις παρακάτω οδηγίες:

1. Σε κατάσταση αναμονής, πιέστε το κουμπί **ΜΙΚΡΟΚΥΜΑΤΑ+ΓΚΡΙΛ** μία ή δύο φορές για επιλογή "Co-1" (Συνδυασμού 1) ή "Co-2" (Συνδυασμού 2).
2. Γυρίστε το **ΠΕΡΙΣΤΡΕΦΟΜΕΝΟ ΚΟΥΜΠΙ** για να ρυθμίσετε τον χρόνο μαγειρέματος.
3. Πιέστε το κουμπί **START/QUICK START** για έναρξη.
4. Όταν ολοκληρωθεί ο κύκλος μαγειρέματος, στην οθόνη εμφανίζεται η ένδειξη **"End"** (Λήξη) και ακούγεται ένας τόνος κάθε δύο λεπτά ώσπου να πατηθεί ένα κουμπί ή να ανοιχτεί η πόρτα.

Λειτουργία μικροκυμάτων + γκριλ

Οθόνη	Έξοδος	Συστηνόμενη χρήση
Co-1	70% γκριλ 30% μικροκύματα	Τεμάχια κοτόπουλου, στήθη κοτόπουλου, χοιρινά παϊδάκια
Co-2	56% γκριλ 44% μικροκύματα	Ολόκληρο κοτόπουλο

- Ο μέγιστος χρόνος μαγειρέματος με το γκριλ είναι 95 λεπτά.
- Κατά τη λειτουργία γκριλ, αφήνετε τον καπνό ή μρωδιές να διαφεύγουν ανοίγοντας ένα παράθυρο ή ενεργοποιώντας τον εξαερισμό της κουζίνας. Αυτό είναι φυσιολογικό και δεν σημαίνει σφάλμα στον φούρνο.
- Κατά το μαγείρεμα μπορείτε να ελέγχετε την ισχύ μαγειρέματος του τρέχοντος συνδυασμού αγγίζοντας το κουμπί **MICROWAVE+GRILL**.
- Όταν χρησιμοποιείτε τη λειτουργία γκριλ, το γκριλ ενεργοποιείται και απενεργοποιείται σε τακτά χρονικά διαστήματα για να αποτρέπεται η υπερθέρμανση.
- Όταν χρησιμοποιείτε τη λειτουργία ΜΙΚΡΟΚΥΜΑΤΑ+ΓΚΡΙΛ, το φαγητό μπορεί να τοποθετείται σε κατάλληλο δοχείο απευθείας στον περιστρεφόμενο δίσκο του φούρνου ή στην παρεχόμενη σχάρα γκριλ.

ΠΡΟΕΙΔΟΠΟΙΗΣΗ: Η πόρτα, το εξωτερικό κάλυμμα, η κοιλότητα του φούρνου, τα εξαρτήματα και τα σκεύη μπορεί να γίνουν πάρα πολύ ζεστά κατά τη διάρκεια της λειτουργίας. Για να αποφύγετε εγκαύματα, πάντα χρησιμοποιείτε χοντρά γάντια φούρνου.

* - Μόνο για μοντέλα με γκριλ.

ΑΥΤΟΜΑΤΟ ΜΕΝΟΥ

Τα βολικά Αυτόματα προγράμματα επιτρέπουν το γρήγορο και αποτελεσματικό μαγείρεμα φαγητών με λίγα μόνο πατήματα κουμπιών. Δεν απαιτείται να προγραμματίσετε τον χρόνο και την ισχύ μαγειρέματος, το μόνο που χρειάζεται είναι να πατήσετε το απαιτούμενο κουμπί αυτόματου μαγειρέματος, να εισαγάγετε το βάρος/τα τεμάχια γυρίζοντας το **ΠΕΡΙΣΤΡΕΦΟΜΕΝΟ ΚΟΥΜΠΙ** και στη συνέχεια να πατήσετε το κουμπί **START/QUICK START**.

Για παράδειγμα, για να μαγειρέψετε δύο πατάτες με φλούδα.

1. Ανοίξτε την πόρτα και τοποθετήστε το φαγητό μέσα στον φούρνο χρησιμοποιώντας κατάλληλο σκεύος για τη λειτουργία του φούρνου που θα χρησιμοποιήσετε.
2. Κλείστε την πόρτα.
3. Πατήστε το κουμπί **JACKET POTATO** (ΠΑΤΑΤΑ ΜΕ ΦΛΟΥΔΑ) μία φορά.
4. Γυρίστε το **ΠΕΡΙΣΤΡΕΦΟΜΕΝΟ ΚΟΥΜΠΙ** για να εισαγάγετε τον αριθμό πατατών.
5. Πατήστε το κουμπί **START/QUICK START**.
6. Όταν ολοκληρωθεί ο κύκλος μαγειρέματος, στην οθόνη εμφανίζεται η ένδειξη **"End"** (Λήξη) και ακούγεται ένας τόνος κάθε δύο λεπτά ώσπου να πατηθεί ένα κουμπί ή να ανοιχτεί η πόρτα.

Μενού αυτόματου μαγειρέματος:

Αυτόματο πρόγραμμα	Μέγεθος/Βάρος
Καταψυγμένο γεύμα Αυτόματη απόψυξη Αυτόματο ξαναζέσταμα	Επιλέξτε το βάρος γυρίζοντας το ΠΕΡΙΣΤΡΕΦΟΜΕΝΟ ΚΟΥΜΠΙ . Καταψυγμένο γεύμα και Αυτόματο ξαναζέσταμα (200 ως 800g), Αυτόματη απόψυξη (100 ως 1800g)
Ξαναζέσταμα ροφημάτων	Επιλέξτε αριθμό φλιτζανιών (200 ml έκαστο) γυρίζοντας το ΠΕΡΙΣΤΡΕΦΟΜΕΝΟ ΚΟΥΜΠΙ . 1 ως 3 φλιτζάνια.
Πατάτα με φλούδα	Επιλέξτε αριθμό πατατών (230 g έκαστη) γυρίζοντας το ΠΕΡΙΣΤΡΕΦΟΜΕΝΟ ΚΟΥΜΠΙ . 1 ή 2 πατάτες.
Πίτσα	Επιλέξτε βάρος της πίτσας (150 g / 300 g / 450 g) γυρίζοντας το ΠΕΡΙΣΤΡΕΦΟΜΕΝΟ ΚΟΥΜΠΙ .
Ποπ κορν	Επιλέξτε αριθμό συσκευασιών ποπ κορν (100 g έκαστη) γυρίζοντας το ΠΕΡΙΣΤΡΕΦΟΜΕΝΟ ΚΟΥΜΠΙ .
Φρέσκα Λαχανικά	Επιλέξτε βάρος λαχανικών (200 g ως 600 g) γυρίζοντας το ΠΕΡΙΣΤΡΕΦΟΜΕΝΟ ΚΟΥΜΠΙ .
Χυλός	Επιλέξτε βάρος χυλού (γραμμάρια) γυρίζοντας το ΠΕΡΙΣΤΡΕΦΟΜΕΝΟ ΚΟΥΜΠΙ . 50 ως 150 g.
Ψητή μπριζόλα (Μόνο για μοντέλα με γκριλ)	Επιλέξτε βάρος μπριζόλας (200 g ως 600 g) γυρίζοντας το ΠΕΡΙΣΤΡΕΦΟΜΕΝΟ ΚΟΥΜΠΙ .
Ψητό κοτόπουλο (Μόνο για μοντέλα με γκριλ)	Επιλέξτε βάρος κοτόπουλου (200 g ως 600 g) γυρίζοντας το ΠΕΡΙΣΤΡΕΦΟΜΕΝΟ ΚΟΥΜΠΙ .
Ψητό ψάρι (Μόνο για μοντέλα με γκριλ)	Επιλέξτε βάρος ψαριού (200 g ως 600 g) γυρίζοντας το ΠΕΡΙΣΤΡΕΦΟΜΕΝΟ ΚΟΥΜΠΙ .

- Το αποτέλεσμα του αυτόματου μαγειρέματος εξαρτάται από παράγοντες όπως το σχήμα και μέγεθος του φαγητού, η προσωπική σας προτίμηση σχετικά με το μαγείρεμα ορισμένων φαγητών και τον τρόπο τοποθέτησης του φαγητού στον φούρνο. Αν το αποτέλεσμα του μαγειρέματος δεν είναι ικανοποιητικό, ρυθμίστε κατά βούληση τον χρόνο μαγειρέματος.

Σημείωση: στα μοντέλα YC-PS204A και YC-PG204A, πατώντας το κουμπί Αυτόματων μενού παρέχεται πρόσβαση στα ακόλουθα κουμπιά: Αυτόματο ξαναζέσταμα, Ψητό ψάρι, Ψητή μπριζόλα και Ψητό κοτόπουλο.

Πατήστε το κουμπί Αυτόματων μενού ώσπου να εμφανιστεί στην οθόνη το απαιτούμενο αυτόματο μενού, στη συνέχεια γυρίστε το **ΠΕΡΙΣΤΡΕΦΟΜΕΝΟ ΚΟΥΜΠΙ** για να επιλέξετε το βάρος.

Λεπτομέρειες αυτόματων προγραμμάτων

Φαγητό	Ποσότητα	Αρχική θερμοκρασία	Τεχνική Μαγειρέματος
Ξαναζεστάμα ροφημάτων	1 ως 3 φλιτζάνια = 200 ml	Περιβάλλοντος	<ol style="list-style-type: none"> 1. Τοποθετήστε το ρόφημα που θέλετε να ζεστανέτε στο κέντρο του γυάλινου περιστερεφόμενου δίσκου του φούρνου μικροκυμάτων 2. Κλείστε την πόρτα και πατήστε το κουμπί REHEAT, BEVERAGES και επιλέξτε τον αριθμό φλιτζανιών γυρίζοντας το ΠΕΡΙΣΤΡΕΦΟΜΕΝΟ ΚΟΥΜΠΙ. 3. Πατήστε το κουμπί START/QUICK START για να αρχίσει το ζεστάμα. 4. Όταν σταματήσει το χρονόμετρο, αφαιρέστε το ρόφημα. Προσέξτε καθώς το ρόφημα μπορεί να είναι ζεστό.
Πατάτα με φλούδα	1 ως 2 πατάτες 1 πατάτα = 230±10 g	Περιβάλλοντος	<ol style="list-style-type: none"> 1. Πλύνετε και στεγνώστε την πατάτα(ς) και τρυπήστε την επιφάνεια των πατατών με ένα πικρίνη αρκετές φορές. 2. Τοποθετήστε την πατάτα(ς) στο κέντρο του γυάλινου περιστερεφόμενου δίσκου του φούρνου μικροκυμάτων. 3. Κλείστε την πόρτα και πατήστε το κουμπί JACKET, POTATO και επιλέξτε τον αριθμό φλιτζανιών γυρίζοντας το ΠΕΡΙΣΤΡΕΦΟΜΕΝΟ ΚΟΥΜΠΙ. 4. Πατήστε το κουμπί START/QUICK START για να αρχίσει το ζεστάμα. 5. Όταν σταματήσει το χρονόμετρο, αφαιρέστε την πατάτα(ς) από τον φούρνο μικροκυμάτων. Προσέξτε καθώς το φαγητό θα είναι ζεστό.
Πίτσα	150 ως 450 g	Κατάψυξη -18 °C	<ol style="list-style-type: none"> 1. Τοποθετήστε την πίτσα σε ένα πιάτο ασφαλείας για χρήση σε φούρνο μικροκυμάτων, στο κέντρο του γυάλινου περιστερεφόμενου δίσκου του φούρνου μικροκυμάτων. 2. Κλείστε την πόρτα και πατήστε το κουμπί PIZZA και επιλέξτε το βάρος γυρίζοντας το ΠΕΡΙΣΤΡΕΦΟΜΕΝΟ ΚΟΥΜΠΙ. 3. Πατήστε το κουμπί START/QUICK START για να αρχίσει το ζεστάμα. 4. Όταν σταματήσει το χρονόμετρο, αφαιρέστε την πίτσα από τον φούρνο μικροκυμάτων. Προσέξτε καθώς το φαγητό θα είναι ζεστό.
Ποπ κορν	100 g	Περιβάλλοντος	<ol style="list-style-type: none"> 1. Τοποθετήστε το ποπ κορν στο κέντρο του γυάλινου περιστερεφόμενου δίσκου του φούρνου μικροκυμάτων. 2. Κλείστε την πόρτα και πατήστε το κουμπί POPCORN. 3. Πατήστε το κουμπί START/QUICK START για να αρχίσει το ζεστάμα. 4. Όταν σταματήσει το χρονόμετρο, αφαιρέστε το ποπ κορν από τον φούρνο μικροκυμάτων. Προσέξτε καθώς το φαγητό θα είναι ζεστό.
Καταψυγμένο γέυμα	200 ως 800 g	Κατάψυξη -18 °C	<ol style="list-style-type: none"> 1. Τοποθετήστε το καταψυγμένο γέυμα σε ένα σκεύος κατάλληλο για χρήση σε φούρνο μικροκυμάτων και καλύψτε το με πλαστική μεμβράνη. Τρυπήστε τη μεμβράνη. 2. Τοποθετήστε το σκεύος στο κέντρο του γυάλινου περιστερεφόμενου δίσκου του φούρνου μικροκυμάτων. 3. Κλείστε την πόρτα και πατήστε το κουμπί FROZEN MEAL και επιλέξτε το βάρος γυρίζοντας το ΠΕΡΙΣΤΡΕΦΟΜΕΝΟ ΚΟΥΜΠΙ. 4. Πατήστε το κουμπί START/QUICK START για να αρχίσει το ζεστάμα. 5. Όταν σταματήσει το χρονόμετρο, βγάλτε το και σεβρίστε. Προσέξτε καθώς το φαγητό θα είναι ζεστό.
Φρέσκα λαχανικά	200 ως 600 g	Περιβάλλοντος	<ol style="list-style-type: none"> 1. Πλύνετε και κόψτε τα λαχανικά σε μικρά κομμάτια: 25-30mm σε μήκος και 10mm σε πάχος. 2. Τοποθετήστε αυτά τα κομμάτια σε κεραμικό μπολ κατάλληλο για χρήση σε φούρνο μικροκυμάτων και καλύψτε το με πλαστική μεμβράνη. Τρυπήστε τη μεμβράνη. 3. Κλείστε την πόρτα και πατήστε το κουμπί FRESH VEGETABLES και επιλέξτε το βάρος γυρίζοντας το ΠΕΡΙΣΤΡΕΦΟΜΕΝΟ ΚΟΥΜΠΙ. 4. Πατήστε το κουμπί START/QUICK START για να αρχίσει το ζεστάμα. 5. Όταν σταματήσει το χρονόμετρο, βγάλτε το και σεβρίστε. Προσέξτε καθώς το φαγητό θα είναι ζεστό.
Χυλός	50 ως 150 g	Περιβάλλοντος	<ol style="list-style-type: none"> 1. Ανακατέψτε τη βρώμη και το γάλα σε ένα μπολ. Συστήνουμε 180ml γάλακτος ανά 50g βρώμη. 2. Τοποθετήστε το μπολ στο κέντρο του γυάλινου περιστερεφόμενου δίσκου του φούρνου μικροκυμάτων. 3. Κλείστε την πόρτα και πατήστε το κουμπί PORRIDGE και επιλέξτε το βάρος γυρίζοντας το ΠΕΡΙΣΤΡΕΦΟΜΕΝΟ ΚΟΥΜΠΙ. 4. Πατήστε το κουμπί START/QUICK START για να αρχίσει το ζεστάμα. 5. Όταν σταματήσει το χρονόμετρο, βγάλτε το και σεβρίστε.
Αυτόματο ξαναζεστάμα	200 ως 800 g	Συντήρηση 5 °C	<ol style="list-style-type: none"> 1. Τοποθετήστε το κρύο ρόζι ή τα ζυμαρικά σε ένα κεραμικό μπολ κατάλληλο για χρήση σε φούρνο μικροκυμάτων και καλύψτε με πλαστική μεμβράνη. Τρυπήστε τη μεμβράνη. 2. Τοποθετήστε το σκεύος στο κέντρο του γυάλινου περιστερεφόμενου δίσκου του φούρνου μικροκυμάτων. 3. Κλείστε την πόρτα και πατήστε το κουμπί AUTO REHEAT και επιλέξτε το βάρος γυρίζοντας το ΠΕΡΙΣΤΡΕΦΟΜΕΝΟ ΚΟΥΜΠΙ. 4. Πατήστε το κουμπί START/QUICK START για να αρχίσει το ζεστάμα. 5. Όταν σταματήσει το χρονόμετρο, βγάλτε το και σεβρίστε.
Ψητή μπριζόλα*	200 ως 600 g	Περιβάλλοντος	<ol style="list-style-type: none"> 1. Απλώστε ομοιόμορφα την μπριζόλα στη σχάρα του γκρίλ, αφού την καλύψετε με αντικλλητικό χαρτί. 2. Τοποθετήστε τη σχάρα του γκρίλ στο κέντρο του γυάλινου περιστερεφόμενου δίσκου του φούρνου μικροκυμάτων. 3. Κλείστε την πόρτα και πατήστε το κουμπί GRILLED STEAK και επιλέξτε το βάρος γυρίζοντας το ΠΕΡΙΣΤΡΕΦΟΜΕΝΟ ΚΟΥΜΠΙ. 4. Πατήστε το κουμπί START/QUICK START για να αρχίσει το ζεστάμα. 5. Στο δύο τρίτα του χρόνου μαγειρέματος, ανοίξτε την πόρτα και αναποδογυρίστε το φαγητό, στη συνέχεια κλείστε την πόρτα και συνεχίστε το μαγείρεμα. 6. Όταν σταματήσει το χρονόμετρο, βγάλτε το και σεβρίστε. Προσέξτε καθώς το φαγητό και τα εξαρτήματα θα είναι ζεστά.
Ψητά κομμάτια κοτόπουλου	200 ως 600 g	Περιβάλλοντος	<ol style="list-style-type: none"> 1. Απλώστε ομοιόμορφα τα κομμάτια κοτόπουλου στη σχάρα του γκρίλ, αφού την καλύψετε με αντικλλητικό χαρτί. 2. Τοποθετήστε τη σχάρα του γκρίλ στο κέντρο του γυάλινου περιστερεφόμενου δίσκου του φούρνου μικροκυμάτων. 3. Κλείστε την πόρτα και πατήστε το κουμπί Grilled Chicken και επιλέξτε το βάρος γυρίζοντας το ΠΕΡΙΣΤΡΕΦΟΜΕΝΟ ΚΟΥΜΠΙ. 4. Πατήστε το κουμπί START/QUICK START για να αρχίσει το ζεστάμα. 5. Στο δύο τρίτα του χρόνου μαγειρέματος, ανοίξτε την πόρτα και αναποδογυρίστε το φαγητό, στη συνέχεια κλείστε την πόρτα και συνεχίστε το μαγείρεμα. 6. Όταν σταματήσει το χρονόμετρο, βγάλτε το και σεβρίστε. Προσέξτε καθώς το φαγητό και τα εξαρτήματα θα είναι ζεστά.
Ψητά κομμάτια ψαριού	100 ως 500 g	Περιβάλλοντος	<ol style="list-style-type: none"> 1. Απλώστε ομοιόμορφα τα κομμάτια ψαριού στη σχάρα του γκρίλ, αφού την καλύψετε με αντικλλητικό χαρτί. 2. Τοποθετήστε τη σχάρα του γκρίλ στο κέντρο του γυάλινου περιστερεφόμενου δίσκου του φούρνου μικροκυμάτων. 3. Κλείστε την πόρτα και πατήστε το κουμπί GRILLED FISH και επιλέξτε το βάρος γυρίζοντας το ΠΕΡΙΣΤΡΕΦΟΜΕΝΟ ΚΟΥΜΠΙ. 4. Πατήστε το κουμπί START/QUICK START για να αρχίσει το ζεστάμα. 5. Στο δύο τρίτα του χρόνου μαγειρέματος, ανοίξτε την πόρτα και αναποδογυρίστε το φαγητό, στη συνέχεια κλείστε την πόρτα και συνεχίστε το μαγείρεμα. 6. Όταν σταματήσει το χρονόμετρο, βγάλτε το και σεβρίστε. Προσέξτε καθώς το φαγητό και τα εξαρτήματα θα είναι ζεστά.

Σημείωση	Λειτουργία φούρνου και χρησιμοποιούμενη μέθοδος	YC-PS204A	YC-PS234A και YC-PS254A	YC-PG204A	YC-PG234A, YC-PG254A και YC-PG284A
	Μικροκύματα μόνο στο 100%	1 φλιτζάνι - 1:40 λεπτά 2 φλιτζάνια: 3:00 λεπτά 3 φλιτζάνια: 4:20 λεπτά	1 φλιτζάνι - 1:30 λεπτά 2 φλιτζάνια: 2:40 λεπτά 3 φλιτζάνια: 3:50 λεπτά	1 φλιτζάνι - 1:40 λεπτά 2 φλιτζάνια: 3:00 λεπτά 3 φλιτζάνια: 4:20 λεπτά	1 φλιτζάνι - 1:30 λεπτά 2 φλιτζάνια: 2:40 λεπτά 3 φλιτζάνια: 3:50 λεπτά
	Μικροκύματα μόνο στο 100%	1 πατάτα - 6:00 λεπτά 2 πατάτες: 9:00 λεπτά 3 πατάτες: 13:00 λεπτά	1 πατάτα - 5:00 λεπτά 2 πατάτες: 8:00 λεπτά 3 πατάτες: 12:00 λεπτά	1 πατάτα - 6:00 λεπτά 2 πατάτες: 9:00 λεπτά 3 πατάτες: 13:00 λεπτά	1 πατάτα - 5:00 λεπτά 2 πατάτες: 8:00 λεπτά 3 πατάτες: 12:00 λεπτά
Για το YC-PS204A και YC-PG204A, το κουμπί AUTO MENU πρέπει να πατηθεί ώπου να εμφανιστεί το πρόγραμμα.	Μικροκύματα μόνο στο 100%	150 g - 1:00 λεπτό 300 g - 1:30 λεπτά 450 g: 2:00 λεπτά	150 g - 0:50 λεπτά 300 g - 1:20 λεπτό 450 g: 1:50 λεπτά	150 g - 1:00 λεπτό 300 g - 1:30 λεπτό 450 g: 2:00 λεπτά	150 g - 0:50 λεπτά 300 g - 1:20 λεπτό 450 g: 1:50 λεπτά
	Μικροκύματα μόνο στο 100%	100 g: 3:00 λεπτά	100 g: 2:00 λεπτά	100 g: 3:00 λεπτά	100 g: 2:30 λεπτά
	Μικροκύματα στο 100% για 1/2 χρόνου, στη συνέχεια 0% για 1/6 χρόνου και τελικά 100% για 1/3 χρόνου	200 g: 8:00 λεπτά 400 g: 11:00 λεπτά 600 g: 15:00 λεπτά 800 g: 18:00 λεπτά	200 g: 6:00 λεπτά 400 g: 9:00 λεπτά 600 g: 13:00 λεπτά 800 g: 16:00 λεπτά	200 g: 8:00 λεπτά 400 g: 11:00 λεπτά 600 g: 15:00 λεπτά 800 g: 18:00 λεπτά	200 g: 6:00 λεπτά 400 g: 9:00 λεπτά 600 g: 13:00 λεπτά 800 g: 16:00 λεπτά
Για το YC-PS204A και YC-PG204A, το κουμπί AUTO MENU πρέπει να πατηθεί ώπου να εμφανιστεί το πρόγραμμα.	Μικροκύματα μόνο στο 100%	200 g: 3:30 λεπτά 300 g: 4:30 λεπτά 400 g: 5:30 λεπτά 500 g: 6:30 λεπτά 600 g: 7:30 λεπτά	200 g: 3:00 λεπτά 300 g: 4:00 λεπτά 400 g: 5:00 λεπτά 500 g: 6:00 λεπτά 600 g: 7:00 λεπτά	200 g: 3:30 λεπτά 300 g: 4:30 λεπτά 400 g: 5:30 λεπτά 500 g: 6:30 λεπτά 600 g: 7:30 λεπτά	200 g: 3:00 λεπτά 300 g: 4:00 λεπτά 400 g: 5:00 λεπτά 500 g: 6:00 λεπτά 600 g: 7:00 λεπτά
Για το YC-PS204A και YC-PG204A, το κουμπί AUTO MENU πρέπει να πατηθεί ώπου να εμφανιστεί το πρόγραμμα.	Μικροκύματα - 100%	50g: 2:00 λεπτά 100g: 3:30 λεπτά 150g: 5:30 λεπτά	50 g: 2:00 λεπτά 100 g: 3:30 λεπτά 150 g: 5:30 λεπτά	50g: 2:00 λεπτά 100g: 3:30 λεπτά 150g: 5:30 λεπτά	50 g: 2:00 λεπτά 100 g: 3:30 λεπτά 150 g: 5:30 λεπτά
Για το YC-PG204A το κουμπί AUTO MENU πρέπει να πατηθεί ώπου να εμφανιστεί το πρόγραμμα.	Μικροκύματα μόνο στο 100%	200 g: 2:00 λεπτά 300 g: 4:40 λεπτά 400 g: 3:20 λεπτά 500 g: 4:00 λεπτά 600 g: 4:40 λεπτά 700 g: 5:20 λεπτά 800 g: 6:00 λεπτά	200 g: 1:30 λεπτά 300 g: 2:00 λεπτά 400 g: 2:30 λεπτά 500 g: 3:00 λεπτά 600 g: 3:30 λεπτά 700 g: 4:00 λεπτά 800 g: 4:30 λεπτά	200 g: 2:00 λεπτά 300 g: 2:40 λεπτά 400 g: 3:20 λεπτά 500 g: 4:00 λεπτά 600 g: 4:40 λεπτά 700 g: 5:20 λεπτά 800 g: 6:00 λεπτά	200 g: 1:30 λεπτά 300 g: 2:00 λεπτά 400 g: 2:30 λεπτά 500 g: 3:00 λεπτά 600 g: 3:30 λεπτά 700 g: 4:00 λεπτά 800 g: 4:30 λεπτά
Για το YC-PG204A το κουμπί AUTO MENU πρέπει να πατηθεί ώπου να εμφανιστεί το πρόγραμμα.	Λειτουργία μικροκυμάτων στο 100% για 10 δευτερόλεπτα στη συνέχεια ενεργοποίηση του γκριλ για 23 δευτερόλεπτα. Αυτός ο κύκλος επαναλαμβάνεται ως το τέλος του χρόνου μαγειρέματος. Τα μικροκύματα και το γκριλ δεν είναι ποτέ ταυτόχρονα σε λειτουργία.	Μη/Διαθ.	Μη/Διαθ.	200 g: 15:00 λεπτά 300 g: 18:00 λεπτά 400 g: 21:00 λεπτά 500 g: 24:00 λεπτά 600 g: 27:00 λεπτά	200 g: 15:00 λεπτά 300 g: 18:00 λεπτά 400 g: 21:00 λεπτά 500 g: 24:00 λεπτά 600 g: 27:00 λεπτά
Για το YC-PG204A το κουμπί AUTO MENU πρέπει να πατηθεί ώπου να εμφανιστεί το πρόγραμμα.	Λειτουργία μικροκυμάτων στο 100% για 10 δευτερόλεπτα στη συνέχεια ενεργοποίηση του γκριλ για 23 δευτερόλεπτα. Αυτός ο κύκλος επαναλαμβάνεται ως το τέλος του χρόνου μαγειρέματος. Τα μικροκύματα και το γκριλ δεν είναι ποτέ ταυτόχρονα σε λειτουργία.	Μη/Διαθ.	Μη/Διαθ.	200 g: 15:00 λεπτά 300 g: 18:00 λεπτά 400 g: 21:00 λεπτά 500 g: 24:00 λεπτά 600 g: 27:00 λεπτά	200 g: 15:00 λεπτά 300 g: 18:00 λεπτά 400 g: 21:00 λεπτά 500 g: 24:00 λεπτά 600 g: 27:00 λεπτά
Για το YC-PG204A το κουμπί AUTO MENU πρέπει να πατηθεί ώπου να εμφανιστεί το πρόγραμμα.	Λειτουργία μικροκυμάτων στο 100% για 10 δευτερόλεπτα στη συνέχεια ενεργοποίηση του γκριλ για 23 δευτερόλεπτα. Αυτός ο κύκλος επαναλαμβάνεται ως το τέλος του χρόνου μαγειρέματος. Τα μικροκύματα και το γκριλ δεν είναι ποτέ ταυτόχρονα σε λειτουργία.	Μη/Διαθ.	Μη/Διαθ.	100 g: 12:00 λεπτά 200 g: 15:00 λεπτά 300 g: 18:00 λεπτά 400 g: 21:00 λεπτά 500 g: 24:00 λεπτά	100 g: 12:00 λεπτά 200 g: 15:00 λεπτά 300 g: 18:00 λεπτά 400 g: 21:00 λεπτά 500 g: 24:00 λεπτά

ΑΥΤΟΜΑΤΗ ΑΠΟΨΥΞΗ

Η Αυτόματη απόψυξη επιτρέπει την απόψυξη φαγητού κατά βάρος. Ο χρόνος και το επίπεδο ισχύος για την απόψυξη ορίζονται αυτόματα αφού προγραμματίσετε την κατηγορία φαγητού και το βάρος. Το βάρος του καταψυγμένου φαγητού κυμαίνεται από 100g ως 1800g.

1. Σε κατάσταση αναμονής, πατήστε το κουμπί **AUTO DEFROST** (ΑΥΤΟΜΑΤΗ ΑΠΟΨΥΞΗ).
2. Γυρίστε το **ΠΕΡΙΣΤΡΕΦΟΜΕΝΟ ΚΟΥΜΠΙ** για να επιλέξετε το βάρος του φαγητού για απόψυξη.
3. Πατήστε το κουμπί **START/QUICK START** για να αρχίσει ο κύκλος απόψυξης.
4. Αν ο φούρνος σταματήσει κατά τη διάρκεια του κύκλου απόψυξης, αναποδογυρίστε το φαγητό για να εξασφαλίσετε ομοιόμορφη απόψυξη και στη συνέχεια πατήστε το κουμπί **START/QUICK START** για απόψυξη για τον υπόλοιπο χρόνο.
5. Όταν ολοκληρωθεί ο κύκλος απόψυξης, στην οθόνη εμφανίζεται η ένδειξη **"End"** (Λήξη) και ακούγεται ένας τόνος κάθε 2 λεπτά ώσπου να πατηθεί ένα κουμπί ή να ανοιχτεί η πόρτα.

Αυτόματη απόψυξη - Λειτουργία

Μοντέλο	Εύρος βάρους	Εύρος χρόνου απόψυξης	Λειτουργία απόψυξης	Μέθοδος
YC-PG204A	100 ως 1800 g	5,5-39,5 λεπτά	Μικροκύματα στο 40% για 1/3 χρόνου, στη συνέχεια 20% για το επόμενο 1/3 του χρόνου. Αναμονή για γύρισμα φαγητού, μετά το γύρισμα θα αποψυχθεί στο 20% για τον υπόλοιπο χρόνο.	1. Τοποθετήστε το καταψυγμένο γεύμα σε ένα σκεύος κατάλληλο για χρήση σε φούρνο μικροκυμάτων και καλύψτε το με πλαστική μεμβράνη. Τρυπήστε τη μεμβράνη. 2. Τοποθετήστε το σκεύος στο κέντρο του γυάλινου περιστρεφόμενου δίσκου του φούρνου μικροκυμάτων. 3. Κλείστε την πόρτα και πατήστε το κουμπί AUTO DEFROST και επιλέξτε το βάρος γυρίζοντας το ΠΕΡΙΣΤΡΕΦΟΜΕΝΟ ΚΟΥΜΠΙ . 4. Πατήστε το κουμπί START/QUICK START για να αρχίσει η απόψυξη. 5. Στα μιστά της διάρκειας απόψυξης, ο φούρνος θα διακόψει τη λειτουργία αναμένοντας να αναποδογυρίσετε το φαγητό.
YC-PG204A	100 ως 1800 g	5-39 λεπτά	Μικροκύματα στο 20% για τον μισό χρόνο, αναμονή για γύρισμα φαγητού. Ισχύς 20% για τον υπόλοιπο χρόνο.	6. Ανοίξτε την πόρτα και αναποδογυρίστε/ αναδιευθετήστε το φαγητό. Κλείστε την πόρτα. 7. Πατήστε το κουμπί START/QUICK START για να συνεχίσει η απόψυξη. 8. Όταν σταματήσει το χρονόμετρο, αφαιρέστε το φαγητό από τον φούρνο. Ελέγξτε ότι το φαγητό έχει αποψυχθεί πλήρως.
YC-PS234A και YC-PG234A	100 ως 1800 g	5,5-39,5 λεπτά	Μικροκύματα στο 40% για 1/3 χρόνου, στη συνέχεια 20% για το επόμενο 1/3 του χρόνου. Αναμονή για γύρισμα φαγητού, μετά το γύρισμα θα αποψυχθεί στο 20% για τον υπόλοιπο χρόνο.	
YC-PS254A, YC-PG254A και YC-PG284A	100 ως 1800 g	3-37 λεπτά	Μικροκύματα στο 30% για 1/3 χρόνου, στη συνέχεια 20% για το επόμενο 1/3 του χρόνου. Αναμονή για γύρισμα φαγητού, μετά το γύρισμα θα αποψυχθεί στο 20% για τον υπόλοιπο χρόνο.	

ΑΥΤΟΜΑΤΟ ΞΑΝΑΞΕΣΤΑΜΑ

Ο φούρνος επιτρέπει να ξαναξεστάνετε φαγητό βάσει του βάρους που εισαγάγει ο χρήστης. Ο χρόνος και το επίπεδο ισχύος αναθέρμανσης ορίζονται αυτόματα μόλις προγραμματίσετε τη κατηγορία και το βάρος του φαγητού. Το βάρος του φαγητού για ξαναξέσταμα κυμαίνεται από 100g ως 800g.

1. Σε κατάσταση αναμονής, πατήστε το κουμπί **AUTO REHEAT** (ΑΥΤΟΜΑΤΟ ΞΑΝΑΞΕΣΤΑΜΑ).
2. Γυρίστε το **ΠΕΡΙΣΤΡΕΦΟΜΕΝΟ ΚΟΥΜΠΙ** για να επιλέξετε το βάρος του φαγητού για ξαναξέσταμα.
3. Πατήστε το κουμπί **START/QUICK START**.
4. Όταν ολοκληρωθεί ο κύκλος μαγειρέματος, στην οθόνη εμφανίζεται η ένδειξη **"End"** (Λήξη) και ακούγεται ένας τόνος κάθε δύο λεπτά ώσπου να πατηθεί ένα κουμπί ή να ανοιχτεί η πόρτα.

ΧΡΟΝΟΜΕΤΡΟ ΚΟΥΖΙΝΑΣ

Ο φούρνος διαθέτει χρονόμετρο κουζίνας που εκτελεί αντίστροφη μέτρηση ρυθμισμένου χρόνου.

1. Σε κατάσταση αναμονής, πιάστε το κουμπί **TIME/SET CLOCK** μία φορά.
2. Γυρίστε το **ΠΕΡΙΣΤΡΕΦΟΜΕΝΟ ΚΟΥΜΠΙ** για να ορίσετε τον επιθυμητό χρόνο. Ο μεγαλύτερος χρόνος είναι 95 λεπτά.
3. Πιάστε το κουμπί **START/QUICK START** για επικύρωση.
4. Στην οθόνη αρχίζει αντίστροφη μέτρηση του ορισμένου χρόνου.
5. Όταν η οθόνη φτάσει στο μηδέν, ακούγεται ένας ηχητικός τόνος.

Είναι επίσης δυνατό να χρησιμοποιήσετε το χρονόμετρο κουζίνας κατά τη διάρκεια μιας λειτουργίας μαγειρέματος. Για να το κάνετε αυτό, ακολουθήστε τα βήματα που περιγράφονται παραπάνω ενώ μαγειρεύεται το φαγητό σας. Αφού ενεργοποιηθεί το χρονόμετρο, εμφανίζεται στην οθόνη για πέντε δευτερόλεπτα, στη συνέχεια επανέρχεται στην οθόνη ο υπολειπόμενος χρόνος για τον κύκλο μαγειρέματος. Για προβολή του χρονόμετρου ξανά, πατήστε το κουμπί **ΧΡΟΝΟΣ/ΡΥΘΜΙΣΗ ΡΟΛΟΓΙΟΥ** μία φορά και εμφανίζεται το χρονόμετρο κουζίνας για πέντε δευτερόλεπτα, ενώ στη συνέχεια επανέρχεται η αντίστροφη μέτρηση μαγειρέματος.

- Για ακύρωση του προγράμματος **TIMER** (ΧΡΟΝΟΜΕΤΡΟ) πατήστε το κουμπί **STOP/ECO** και στην οθόνη εμφανίζεται η ώρα.
- Αν αρχίσει ένας κύκλος μαγειρέματος, είναι δυνατό να ξεκινήσετε το χρονόμετρο κουζίνας ακολουθώντας τα παραπάνω βήματα.

ΛΕΙΤΟΥΡΓΙΑ ΕΞΟΙΚΟΝΟΜΗΣΗΣ ΕΝΕΡΓΕΙΑΣ

Αυτό το χαρακτηριστικό επιτρέπει την εξοικονόμηση ενέργειας όσο δεν χρησιμοποιείται ο φούρνος. Για να ενεργοποιήσετε αυτό το χαρακτηριστικό ενώ ο φούρνος βρίσκεται σε κατάσταση αναμονής, πατήστε και κρατήστε πατημένο το κουμπί **STOP/ECO** για 3 δευτερόλεπτα, οπότε σβήνει η οθόνη: ο φούρνος μεταβαίνει σε λειτουργία εξοικονόμησης ενέργειας.

Για ακύρωση της λειτουργίας εξοικονόμησης ενέργειας, πατήστε οποιοδήποτε κουμπί ή ανοίξτε και κλείστε την πόρτα του φούρνου.

ΛΕΙΤΟΥΡΓΙΑ ΣΙΓΑΣΗΣ

Είναι δυνατό να θέσετε σε σίγαση οποιοσδήποτε ηχητικούς τόνους από τον φούρνο μικροκυμάτων, χρησιμοποιώντας τη λειτουργία σίγασης. Για να ορίσετε τη λειτουργία σίγασης πατήστε το κουμπί **CHILD LOCK** μία φορά. Στην οθόνη εμφανίζεται η ένδειξη "**OFF**" (ΑΠΕΝΕΡΓΟΠΟΙΗΣΗ) για 5 δευτερόλεπτα. Σε λειτουργία σίγασης, δεν ακούγεται κανένας ήχος όταν πατιούνται τα κουμπί.

Για να απενεργοποιήσετε τη λειτουργία σίγασης, πατήστε το κουμπί **CHILD LOCK** δύο φορές μέσα σε δύο δευτερόλεπτα: στην οθόνη εμφανίζεται η ένδειξη "**ON**" (ΕΝΕΡΓΟΠΟΙΗΣΗ) για 5 δευτερόλεπτα, υποδεικνύοντας πως επανήλθαν οι ήχοι.

Αν οριστεί η λειτουργία σίγασης και αποσυνδεθεί ο φούρνος από την παροχή ρεύματος, η λειτουργία θα έχει ακυρωθεί όταν επανασυνδεθεί στο ρεύμα.

ΚΛΕΙΔΩΜΑ ΑΣΦΑΛΕΙΑΣ

Αυτή είναι μια αυτόματη λειτουργία για την αποτροπή της λειτουργίας του φούρνου από παιδιά χωρίς επίβλεψη. Σε κατάσταση αναμονής, αν δεν υπάρχει καμία λειτουργία για ένα λεπτό, ο φούρνος μεταβαίνει αυτόματα σε λειτουργία κλειδώματος ασφαλείας και στην οθόνη εμφανίζεται η ένδειξη "**LOC**". Σε κατάσταση κλειδώματος, απενεργοποιούνται όλα τα κουμπί. Πιέζοντας οποιοδήποτε κουμπί, εμφανίζεται στην οθόνη η ένδειξη κλειδώματος για 5 δευτερόλεπτα ως υπενθύμιση προς τον χρήστη να ακυρώσει το κλειδωμα ασφαλείας.

Για να απενεργοποιήσετε το κλειδωμα ασφαλείας, απλώς ανοίξετε και κλείστε την πόρτα του φούρνου και το πληκτρολόγιο ενεργοποιείται ξανά και σβήνει η ενδεικτική λυχνία κλειδώματος.

ΠΑΙΔΙΚΟ ΚΛΕΙΔΩΜΑ

1. Για να ορίσετε το ΠΑΙΔΙΚΟ ΚΛΕΙΔΩΜΑ, πιέστε και κρατήστε πατημένο το κουμπί **CHILD LOCK** για 3 δευτερόλεπτα: ακούγεται ένα διαρκές μπιπ και στην οθόνη εμφανίζεται η ένδειξη "**LOC**". Ο φούρνος είναι πλέον σε λειτουργία ΠΑΙΔΙΚΟΥ ΚΛΕΙΔΩΜΑΤΟΣ. Σε αυτή τη λειτουργία, στην οθόνη εμφανίζεται το ρολόι, ενώ αν πατηθεί οποιοδήποτε κουμπί ή ανοίξει η πόρτα, εμφανίζεται η ένδειξη "**LOC**" για 5 δευτερόλεπτα.
2. Για να ακυρώσετε το ΠΑΙΔΙΚΟ ΚΛΕΙΔΩΜΑ, πατήστε και κρατήστε πατημένο το κουμπί **LOCK** για 3 δευτερόλεπτα ώσπου να ακουστεί ένας ήχος.

ΚΑΘΑΡΙΣΜΟΣ ΚΑΙ ΣΥΝΤΗΡΗΣΗ

1. Απενεργοποιήστε τον φούρνο και αποσυνδέστε το καλώδιο τροφοδοσίας από την πρίζα κατά τον καθαρισμό.
2. Διατηρείτε το εσωτερικό του φούρνου καθαρό. Όταν προσκολλούνται στις πλευρές, την επάνω ή την κάτω επιφάνεια του φούρνου πιτσιλιές φαγητού ή ροφημάτων, σκουπίζετε με ένα νωπό πανί. Μπορούν να χρησιμοποιηθούν ήπια καθαριστικά αν ο φούρνος λερωθεί πολύ. Αποφύγετε την χρήση σπρέι ή άλλων σκληρών καθαριστικών. Μπορεί να προκαλέσουν μόνιμους λεκέδες, γρατσουνιές ή θάμπωμα στην επιφάνεια της πόρτας.
3. Το εξωτερικό του φούρνου θα πρέπει να καθαρίζεται με ένα νωπό πανί. Για την αποφυγή βλάβης στα λειτουργικά εξαρτήματα στο εσωτερικό του φούρνου, δεν πρέπει να εισέλθει νερό από τα ανοίγματα αερισμού.
4. Σκουπίζετε την πόρτα και το παράθυρο και από τις δύο πλευρές τους, τα σφραγιστικά της πόρτας και τα γειτονικά τμήματα συχνά με ένα νωπό πανί ώστε να αφαιρούνται τυχόν πιτσιλιές ή κηλίδες.
5. Μη χρησιμοποιείται διαβρωτικό καθαριστικό.
6. Μην καθαρίζετε με ατμό.
7. Μην επιτρέπετε να βραχεί ο πίνακας ελέγχου. Καθαρίζετε τον πίνακα με ένα μαλακό, νωπό πανί. Όταν καθαρίζετε τον πίνακα ελέγχου, αφήνετε την πόρτα ανοιχτή για να αποφύγετε την ακούσια ενεργοποίηση του φούρνου.
8. Αν συγκεντρωθεί ατμός μέσα ή γύρω από το εξωτερικό της πόρτας του φούρνου, σκουπίστε τον με ένα μαλακό πανί. Αυτό μπορεί να προκύψει όταν ο φούρνος μικροκυμάτων λειτουργεί σε συνθήκες υψηλής υγρασίας. Δεν είναι βλάβη.
9. Ο περιστρεφόμενος δίσκος της βάσης, το στήριγμα και ο σύνδεσμος του περιστρεφόμενου δίσκου θα πρέπει να καθαρίζονται τακτικά ώστε να αποφεύγεται η ρύπανση και ενδεχόμενη παραγωγή ηλεκτρικού τόξου/ζημιά. Απλά σκουπίστε με ήπιο καθαριστικό.
10. Αφαιρείτε μυρωδιές από τον φούρνο συνδυάζοντας ένα φλιτζάνι νερό με τον χυμό και τη φλούδα από ένα λεμόνι σε μπουκάλι κατάλληλο για χρήση σε φούρνο μικροκυμάτων. Θέστε τον φούρνο σε λειτουργία μικροκυμάτων για 5 λεπτά. Σκουπίστε σχολαστικά και στεγνώστε με ένα μαλακό πανί.
11. Αν καεί η λυχνία, επικοινωνήστε με την εξυπηρέτηση πελατών για συμβουλή.
12. Ο φούρνος πρέπει να καθαρίζεται τακτικά και να αφαιρούνται τυχόν αποθέσεις φαγητού. Αστοχία διατήρησης του φούρνου σε καθαρή κατάσταση θα μπορούσε να οδηγήσει σε αλλοίωση της επιφάνειας η οποία θα μπορούσε να επηρεάσει δυσμενώς τη ζωή της μονάδας και πιθανώς να οδηγήσει σε επικίνδυνη κατάσταση.
13. Μην απορρίπτετε αυτή τη συσκευή σε κάδο οικιακών απορριμμάτων: ανατρέξτε στις συστάσεις απόρριψης προϊόντων αυτού του τύπου που ισχύουν στη χώρα σας.

ΣΚΕΥΗ ΚΑΤΑΛΛΗΛΑ ΓΙΑ ΧΡΗΣΗ ΜΕ ΤΟ ΦΟΥΡΝΟ

1. Το ιδανικό υλικό για σκεύη χρήσης σε φούρνο μικροκυμάτων είναι διάφανο, αφήνοντας την ενέργεια να διέλθει μέσα από το δοχείο και να ζεστάνει το φαγητό.
2. Τα μικροκύματα δεν μπορούν να διαπεράσουν μέταλλο, επομένως τα μεταλλικά σκεύη, ή σκεύη με μεταλλικό στεφάνι δεν θα πρέπει να χρησιμοποιούνται.
3. Μη χρησιμοποιείτε προϊόντα από ανακυκλωμένο χαρτί κατά το μαγείρεμα με μικροκύματα, καθώς μπορεί να περιέχουν μικρά μεταλλικά φράγματα που μπορεί να προκαλέσουν σπινθήρες ή/και φωτιά.
4. Συστήνονται στρογγυλά / σκεύη από τα τετράγωνα/μακρόστενα, καθώς το φαγητό τείνει να παραψήνεται στις γωνιές.
5. Μπορούν να χρησιμοποιούνται στενές λωρίδες αλουμινόχαρτου για να μην παραμαγειρεύονται οι εκτεθειμένες περιοχές. Αλλά προσέχετε να μη χρησιμοποιείτε πολύ και να τηρείται απόσταση 2,54 cm ανάμεσα στο αλουμινόχαρτο και το εσωτερικό του φούρνου

Η παρακάτω λίστα είναι ένας γενικός οδηγός για να επιλέγετε ευκολότερα τα σωστά σκεύη.

Μαγειρικά σκεύη	Ασφαλή για χρήση με μικροκύματα	Γκριλ	Σχόλιο
Πιάτα ψησίματος	✓ / ✗	✗	Πάντα να τηρείτε τις οδηγίες των κατασκευαστών. Μην υπερβείτε τους παρεχόμενους χρόνους μαγειρέματος. Να είστε πολύ προσεκτικοί μιας και τα σκεύη αυτά θερμαίνονται πολύ.
Πορσελάνη και κεραμικά	✓ / ✗	✗	Πορσελάνη, πήλινα και στιλβωμένα πήλινα συνήθως είναι κατάλληλα, εκτός από αυτά με μεταλλικό διάκοσμο.
Πυρίμαχο γυαλί	✓	✓	Θα πρέπει να δίνεται προσοχή ώστε να διασφαλίζεται πως τυχόν γυάλινα σκεύη μαγειρέματος είναι κατάλληλα για χρήση σε φούρνο μικροκυμάτων.
Μη πυρίμαχο γυαλί	✗	✗	
Πυρίμαχα κεραμικά	✓	✓	Διασφαλίστε πως οποιοδήποτε κεραμικό υλικό δεν είναι μεγάλου πάχους ή υψηλής περιεκτικότητας σε μεταλλικά στοιχεία.
Πλαστικά σκεύη ασφαλή για χρήση με μικροκύματα	✓	✗	Πάντοτε να ελέγχετε ότι τα πλαστικά μαγειρικά σκεύη είναι κατάλληλα για χρήση σε φούρνο μικροκυμάτων.
Χαρτί κουζίνας	✓ / ✗	✗	Χρησιμοποιείται μόνο χαρτί κουζίνας που συστήνεται για χρήση σε φούρνους μικροκυμάτων.
Γυάλινα σκεύη π.χ. Pyrex®	✓ / ✗	✓	Πρέπει να δίνετε προσοχή εάν χρησιμοποιείτε εύθραυστα υαλικά εφόσον μπορεί να σπάσουν ή να ραγίσουν αν θερμανθούν απότομα.
Μεταλλικό ταψί	✗	✓	Δεν συνιστάται να χρησιμοποιείτε μεταλλικά σκεύη μαγειρικής μιας και θα προκληθεί ηλεκτρικό τόξο, το οποίο μπορεί να οδηγήσει σε πυρκαγιά.
Μεταλλική σχάρα	✗	✓	Δεν συνιστάται να χρησιμοποιείτε μεταλλικά σκεύη μαγειρικής μιας και θα προκληθεί ηλεκτρικό τόξο, το οποίο μπορεί να οδηγήσει σε πυρκαγιά.
Φύλλο αλουμινίου Αλουμινένια δοχεία	✓ / ✗	✓	Μπορούν να χρησιμοποιηθούν μικρά κομμάτια αλουμινοχαρτου για να προφυλαχθεί το φαγητό από υπερβολικό ζέσταμα. Κρατήστε το αλουμινοχαρτο τουλάχιστον 2,54 cm μακριά από τα τοιχώματα του φούρνου ώστε να μην προκύψει ηλεκτρικό τόξο. Τα αλουμινένια δοχεία δε συνιστώνται, εκτός εάν προσδιορίζεται διαφορετικά από τον κατασκευαστή, π.χ. Microfoil®, να τηρείτε προσεκτικά τις οδηγίες.
Μεμβράνη	✓	✗	Δεν πρέπει να ακουμπά το φαγητό και πρέπει να είναι τρυπημένο ώστε να επιτρέπει στον ατμό να διαφεύγει.
Πλαστικό/Πολυστερίνη π.χ. συσκευασίες φαστ-φουντ	✓	✗	Πρέπει να δίνετε προσοχή μιας και μερικά δοχεία μπορεί να στραβώσουν, λιώσουν ή αποχρωματιστούν σε υψηλές θερμοκρασίες.
Σακούλες Ψύξης/Ψησίματος	✓	✗	Πρέπει να είναι τρυπημένες ώστε να διαφεύγει ο ατμός. Βεβαιωθείτε πως οι σακούλες είναι κατάλληλες για χρήση σε φούρνο μικροκυμάτων.
Χάρτινα - Πιάτα, ποτήρια και χαρτί κουζίνας	✓	✗	Μη χρησιμοποιείτε πλαστικούς ή μεταλλικούς συνδετήρες, αφού μπορεί να λιώσουν ή να πιάσουν φωτιά λόγω ηλεκτρικού τόξου από το μέταλλο.
Δοχεία από ξύλο και καλάμια	✓	✗	Να τα χρησιμοποιείτε μόνο για ζέσταμα ή για απορρόφηση της υγρασίας. Πρέπει να δίνετε προσοχή καθώς η υπερθέρμανση μπορεί να προκαλέσει φωτιά.
Ανακυκλωμένο χαρτί και εφημερίδα	✗	✗	Πάντα να προσέχετε το φούρνο όταν χρησιμοποιείτε τέτοια υλικά μιας και η υπερθέρμανση μπορεί να προκαλέσει φωτιά. Μπορεί να περιέχουν θραύσματα μετάλλου τα οποία μπορεί να προκαλέσουν "ηλεκτρικό τόξο" και να οδηγήσουν σε πυρκαγιά.



ΠΡΟΕΙΔΟΠΟΙΗΣΗ: Όταν ζεσταίνετε φαγητό σε πλαστικά ή χάρτινα δοχεία, ελέγχετε το φούρνο εξαιτίας της πιθανότητας ανάφλεξης.

ΣΗΜΕΙΩΣΗ: Να επιβλέπετε τον φούρνο κατά την χρήση του.

ΣΥΜΒΟΥΛΕΣ ΜΑΓΕΙΡΕΜΑΤΟΣ ΜΕ ΜΙΚΡΟΚΥΜΑΤΑ

Το μαγείρεμα με μικροκύματα γίνεται πιο γρήγορα από το συμβατικό μαγείρεμα. Επομένως είναι σημαντικό να τηρούνται ορισμένες τεχνικές ώστε να διασφαλίζεται καλό αποτέλεσμα. Πολλές από τις ακόλουθες τεχνικές είναι παρόμοιες με αυτές που χρησιμοποιούνται κατά το συμβατικό μαγείρεμα.



ΠΡΟΕΙΔΟΠΟΙΗΣΗ: Υγρά και φαγητά δεν πρέπει να θερμαίνονται σε σφραγισμένα δοχεία ή βάζα/δοχεία με καπάκια, εφόσον η πίεση θα συσσωρευτεί στο εσωτερικό και μπορεί να προκαλέσει το βάζο/δοχείο να εκραγεί.

ΣΗΜΕΙΩΣΕΙΣ ΣΥΜΒΟΥΛΩΝ ΜΑΓΕΙΡΕΜΑΤΟΣ:

- Πάντα να επιβλέπετε το φούρνο όταν είναι σε χρήση.
- Διασφαλίστε ότι τα σκεύη είναι κατάλληλα για χρήση σε ένα φούρνο μικροκυμάτων.
- Χρησιμοποιείτε ποπ-κορν για μικροκύματα μόνο εντός της συνιστώμενης συσκευασίας (ακολουθήστε τις οδηγίες του κατασκευαστή). Ποτέ μη χρησιμοποιείτε λάδι εκτός αν αυτό προσδιορίζεται από τον κατασκευαστή και ποτέ μη μαγειρεύετε για περισσότερο από ότι λένε οι οδηγίες.



ΠΡΟΕΙΔΟΠΟΙΗΣΗ: Εάν υπερβείτε τους προτεινόμενους χρόνους μαγειρέματος και τα επίπεδα ενέργειας είναι υπερβολικά υψηλά, το φαγητό μπορεί να υπερθερμανθεί, να καεί και σε ακραίες περιπτώσεις, να πιάσει φωτιά και να καταστρέψει το φούρνο.

Τακτοποίηση

Τοποθετήστε τα παχύτερα κομμάτια του φαγητού προς την εξωτερική πλευρά του πιάτου. Π.χ. Μπούτια Κοτόπουλου. Τα φαγητά που είναι τοποθετημένα στην εξωτερική πλευρά του πιάτου θα λάβουν περισσότερη ενέργεια, οπότε μαγειρεύονται γρηγορότερα από αυτά που βρίσκονται στο κέντρο.

Κάλυψη

Συγκεκριμένα φαγητά ωφελούνται εάν καλύπτονται κατά τη διάρκεια του μαγειρέματος με μικροκύματα. Χρησιμοποιείτε αεριζόμενη μεμβράνη μικροκυμάτων ή κατάλληλο καπάκι.

Τρόπηση

Φαγητά με τσόφλι, φλούδα ή μεμβράνη πρέπει να τρυπιούνται σε αρκετά μέρη πριν το μαγείρεμα ή το ξαναζέσταμα μιας και θα συσσωρευτεί ατμός και μπορεί να προκαλέσει έκρηξη της τροφής. Π.χ. Πατάτες, Ψάρι, Κοτόπουλο, Λουκάνικα.

ΣΗΜΕΙΩΣΗ: Τα αυτά δεν πρέπει να θερμαίνονται χρησιμοποιώντας ισχύ μικροκυμάτων, καθώς μπορεί να εκραγούν, ακόμα και αν ολοκληρωθεί το μαγείρεμά τους, π.χ. ως ποσέ, τηγανιτά ή βραστά.

Ανακάτεμα, γύρισμα, και τακτοποίηση πάλι

Για ομοιόμορφο μαγείρεμα είναι ουσιώδες να ανακατεύετε, γυρίζετε και να τακτοποιείτε και πάλι το φαγητό κατά τη διάρκεια του μαγειρέματος. Πάντα να ανακατεύετε και να τακτοποιείτε πάλι από την εξωτερική πλευρά προς το κέντρο.

Αναμονή

Ο χρόνος αναμονής είναι απαραίτητος μετά το μαγείρεμα ώστε να επιτραπεί στη θερμότητα να διαχυθεί ομοιόμορφα μέσα από το φαγητό.

Χαρακτηριστικά Τροφών	
Σύνθεση	Τροφές με υψηλή περιεκτικότητα σε λίπος ή ζάχαρη (π.χ. Χριστουγεννιάτικη πουτίγκα, τάρτες) απαιτούν λιγότερο χρόνο θέρμανσης. Πρέπει να δίνεται προσοχή μιας και η υπερθέρμανση μπορεί να προκαλέσει πυρκαγιά. Τα κόκαλα στην τροφή λειτουργούν ως αγωγός της θερμότητας και κάνουν το φαγητό να μαγειρεύεται γρηγορότερα. Πρέπει να δίνεται προσοχή ώστε το φαγητό να μαγειρεύεται ομοιόμορφα.
Πυκνότητα	Η πυκνότητα του φαγητού θα επηρεάσει τον απαιτούμενο χρόνο μαγειρέματος. Τα ελαφριά πορώδη φαγητά, όπως τα κέικ ή το ψωμί, μαγειρεύονται γρηγορότερα από τα βαριά, πυκνά φαγητά, όπως τα ψητά και τα φαγητά κατσαρόλας.
Ποσότητα	Ο αριθμός των μικροκυμάτων στο φούρνο σας παραμένει σταθερός, ανεξάρτητα από την ποσότητα της τροφής που μαγειρεύεται. Ο χρόνος μαγειρέματος πρέπει να αυξάνεται όσο η ποσότητα του φαγητού που τοποθετείται μέσα στο φούρνο αυξάνεται. Π.χ. Τέσσερις πατάτες θα πάρουν περισσότερο χρόνο να μαγειρευτούν από ότι δύο.
Μέγεθος	Μικρές τροφές και μικρά κομμάτια μαγειρεύονται γρηγορότερα σε σχέση με τα μεγαλύτερα, εφόσον τα μικροκύματα τα διαπερνούν από όλες τις πλευρές προς το κέντρο. Για ομοιόμορφο μαγείρεμα κάντε όλα τα κομμάτια ισομεγέθη.
Σχήμα	Φαγητά που είναι ακανόνιστα σε μέγεθος, όπως είναι το στήθος ή τα μπουτία κοτόπουλου, χρειάζονται περισσότερο χρόνο για να μαγειρευτούν στα πιο παχιά σημεία. Για ομοιόμορφο μαγείρεμα, τοποθετήστε τα παχύτερα κομμάτια στην εξωτερική πλευρά του πιάτου όπου εκεί θα λάβουν περισσότερη ενέργεια. Τα στρογγυλά σχήματα μαγειρεύονται πιο ομοιόμορφα από τα τετράγωνα σχήματα όταν χρησιμοποιείται μαγείρεμα μικροκυμάτων.
Θερμοκρασία τροφής	Η αρχική θερμοκρασία του φαγητού θα επηρεάσει τον απαιτούμενο χρόνο μαγειρέματος. Τα κρύα τρόφιμα χρειάζονται περισσότερο χρόνο για μαγείρεμα από ό,τι τρόφιμα σε θερμοκρασία δωματίου. Η θερμοκρασία του δοχείου δεν δείχνει πραγματικά τη θερμοκρασία του φαγητού ή του ποτού. Να τεμαχίζετε τα γεμιστά φαγητά, για παράδειγμα ντόνατ με μαρμελάδα, ώστε να απελευθερώνεται θερμότητα ή ατμός.



ΠΡΟΕΙΔΟΠΟΙΗΣΗ: Πρόσωπο & Χέρια: Πάντα χρησιμοποιείτε γάντια φούρνου για να απομακρύνετε τα μαγειρικά σκεύη από το φούρνο. Σταθείτε προς τα πίσω όταν ανοίγετε την πόρτα του φούρνου για να επιτρέψετε στη θερμότητα και τους ατμούς να διασκορπιστούν. Όταν απομακρύνετε καλύμματα (όπως μεμβράνες), ανοίγετε σακούλες ψησίματος ή συσκευασίες ποπ-κορν, οδηγήστε τον ατμό μακριά από το πρόσωπο και τα χέρια.



ΠΡΟΕΙΔΟΠΟΙΗΣΗ: Ελέγξτε τη θερμοκρασία του φαγητού και του ποτού και ανακατέψτε πριν σερβίρετε. Δώστε ιδιαίτερη προσοχή όταν σερβίρετε σε μωρά, παιδιά ή ηλικιωμένους. Τα περιεχόμενα των μπιμπερό και των βάζων παιδικών τροφών πρέπει να ανακατεύονται και να ανακινούνται και η θερμοκρασία πρέπει να ελέγχεται πριν την κατανάλωση προς αποφυγή εγκαυμάτων.

ΣΥΜΒΟΥΛΕΣ ΑΠΟΨΥΞΗΣ

Η χρήση του φούρνου μικροκυμάτων είναι η πιο γρήγορη μέθοδος για απόψυξη. Είναι μια απλή διαδικασία αλλά οι ακόλουθες οδηγίες είναι ουσιαστικές για να διασφαλίσουν ότι το φαγητό αποψύχεται πλήρως.

- Αφαιρέστε όλες τις συσκευασίες και τα περιτυλίγματα πριν την απόψυξη.
- Για να αποψύξετε φαγητό, χρησιμοποιήστε επίπεδα ενέργειας μικροκυμάτων P-20 ή P-40.
- Ανατρέξτε στις παρακάτω αναλυτικότερες πληροφορίες.

Ξανατακτοποίηση

Τροφές που είναι τοποθετημένες προς την εξωτερική πλευρά του πιάτου θα αποψυχθούν γρηγορότερα σε σχέση με τροφές στο κέντρο. Είναι επομένως ουσιώδες το φαγητό να ξανατακτοποιηθεί μέχρι και 4 φορές κατά τη διάρκεια της απόψυξης.

Μετακινήστε στενά στριμωγμένα κομμάτια από το εξωτερικό προς το κέντρο και ξανατακτοποιήστε στις αλληλεπικαλυπτόμενες περιοχές.

Αυτό θα διασφαλίσει ότι όλα τα κομμάτια του φαγητού θα αποψυχθούν ομοιόμορφα.

Έτσι διασφαλίζεται ότι όλα τα μέρη του φαγητού αποψύχονται ομοιόμορφα.

Διαχωρισμός

Οι τροφές μπορεί να είναι κολλημένες μεταξύ τους όταν απομακρύνονται από την κατάψυξη. Είναι σημαντικό να ξεχωρίσετε τις τροφές όσο πιο γρήγορα γίνεται κατά τη διάρκεια της απόψυξης.
π.χ. φέτες μπέικον, φιλέτα κοτόπουλου.

Προστασία

Μερικές περιοχές φαγητού που αποψύχονται μπορεί να ζεσταθούν. Για να αποφύγετε θερμανθούν περαιτέρω και να ξεκινήσουν να μαγειρεύονται, αυτές οι περιοχές μπορούν να προστατευθούν με μικρά κομμάτια αλουμινόχαρτου, το οποίο αντανάκλα τα μικροκύματα, π.χ. στα πόδια και τις φτερούγες ενός κοτόπουλου.

Αναμονή

Ο χρόνος αναμονής είναι απαραίτητος για να διασφαλιστεί ότι το φαγητό αποψύχεται πλήρως.

Η απόψυξη δεν έχει ολοκληρωθεί με το που απομακρυνθεί το φαγητό από το φούρνο μικροκυμάτων. Το φαγητό πρέπει να σταθεί, καλυμμένο, για μια περίοδο χρόνου για να διασφαλιστεί ότι το κέντρο έχει αποψυχθεί εντελώς.

Αναποδογύρισμα

Είναι σημαντικό να αναποδογυρίζετε όλα τα φαγητά ως 4 φορές κατά τη διάρκεια της απόψυξης.

Αυτό είναι σημαντικό για να διασφαλιστεί πλήρης απόψυξης.

ΣΥΜΒΟΥΛΕΣ ΑΝΑΘΕΡΜΑΝΣΗΣ

Για το ξαναζεσταμα των τροφών, ακολουθήστε τις παρακάτω συμβουλές και οδηγίες για να διασφαλίσετε ότι το φαγητό ζεσταίνεται πλήρως πριν το σερβίρισμα.

Γεύματα σε πιάτο

Αφαιρέστε οποιοσδήποτε μερίδες κρέατος, και ζεστάνετε τις ξεχωριστά, βλέπε παρακάτω.

Τοποθετήστε τα μικρότερα κομμάτια τροφής στο κέντρο του πιάτου, τα μεγαλύτερα και παχύτερα προς τις άκρες. Καλύψτε με αεριζόμενη μεμβράνη μικροκυμάτων και ξαναζεστάνετε σε επίπεδο ισχύος P-50, ανακατέψτε/τακτοποιήστε ξανά στα μισά του ξαναζεστάματος.

ΣΗΜΕΙΩΣΗ: Διασφαλίστε ότι το φαγητό ξαναζεσταίνεται πλήρως πριν το σερβίρισμα.

Κρέας σε φέτες

Καλύψτε με αεριζόμενη μεμβράνη μικροκυμάτων και ξαναζεστάνετε σε επίπεδο ισχύος P-60. Τακτοποιήστε και πάλι τουλάχιστον άλλη μία φορά για να διασφαλίσετε ομοιόμορφη αναθέρμανση.

ΣΗΜΕΙΩΣΗ: Διασφαλίστε ότι το κρέας ξαναζεσταίνεται πλήρως πριν το σερβίρισμα.

Μερίδες πουλερικών

Τοποθετήστε τα παχύτερα κομμάτια των μεριδών προς την εξωτερική πλευρά του πιάτου, καλύψτε με αεριζόμενη μεμβράνη μικροκυμάτων και ξαναζεστάνετε σε επίπεδο ισχύος P-70.

Γυρίστε το φαγητό στα μισά του ξαναζεστάματος.

ΣΗΜΕΙΩΣΗ: Διασφαλίστε ότι το πουλερικό ξαναζεσταίνεται πλήρως πριν το σερβίρισμα.

Κατσαρόλας

Καλύψτε με αεριζόμενη μεμβράνη μικροκυμάτων ή ένα κατάλληλο καπάκι και ξαναζεστάνετε σε επίπεδο ισχύος P-50. Ανακατεύετε συχνά για να διασφαλίσετε ομοιόμορφο ξαναζεσταμα.

ΣΗΜΕΙΩΣΗ: Διασφαλίστε ότι το φαγητό ξαναζεσταίνεται πλήρως πριν το σερβίρισμα.

Για να επιτύχετε τα καλύτερα αποτελέσματα όταν ξαναζεσταίνετε, επιλέξτε ένα κατάλληλο επίπεδο ενέργειας μικροκυμάτων, κατάλληλο για τον τύπο της τροφής. Π.χ. Ένα μπόλ λαχανικών μπορεί να ξαναζεσταθεί σε ισχύ P-100, ενώ τα λαζάνια που περιέχουν συστατικά που δεν μπορούν να ανακατευτούν πρέπει να ξαναζεσταίνονται χρησιμοποιώντας επίπεδο ισχύος P-40.

ΣΗΜΕΙΩΣΕΙΣ:

- Αφαιρέστε την τροφή από μεμβράνες ή μεταλλικά δοχεία πριν ξαναζεστάνετε.
- Οι χρόνοι αναθέρμανσης επηρεάζονται από το σχήμα, το βάθος, την ποσότητα και τη θερμοκρασία του φαγητού μαζί με το μέγεθος, το σχήμα και το υλικό του δοχείου.



ΠΡΟΕΙΔΟΠΟΙΗΣΗ: Ποτέ μη ζεσταίνετε υγρά σε δοχεία με στενό στόμιο, εφόσον αυτό μπορεί να οδηγήσει στην έκρηξη των περιεχομένων από το δοχείο και μπορεί να προκαλέσει εγκαύματα.

- Για να αποφύγετε υπερθέρμανση και πυρκαγιά, πρέπει να δίνετε ιδιαίτερη προσοχή όταν ξαναζεσταίνετε φαγητά με υψηλό περιεχόμενο ζάχαρης ή λίπους, για παράδειγμα, τάρτες ή Χριστουγεννιάτικες πουτίγκες.
- Ποτέ μη ζεσταίνετε λάδι ή λίπος για τηγάνισμα, μιας και αυτό μπορεί να οδηγήσει σε υπερθέρμανση και πυρκαγιά.
- Οι πατάτες σε κονσέρβα δεν πρέπει να ζεσταίνονται ποτέ σε φούρνο μικροκυμάτων, ακολουθήστε τις οδηγίες του κατασκευαστή στην κονσέρβα.



ΠΡΟΕΙΔΟΠΟΙΗΣΗ: Τα περιεχόμενα των μπιμπερό και των βάζων με παιδικές τροφές πρέπει να ανακατεύονται ή να ανακινούνται και η θερμοκρασία πρέπει να ελέγχεται πριν την κατανάλωση, ώστε να αποφευχθούν εγκαύματα.

ΕΠΙΛΥΣΗ ΠΡΟΒΛΗΜΑΤΩΝ

Αν πιστεύετε πως ο φούρνος δεν λειτουργεί κανονικά, υπάρχουν ορισμένοι έλεγχοι που μπορείτε να διεξάγετε πριν καλέσετε έναν τεχνικό. Έτσι αποφεύγετε τις περιττές κλήσεις για σέρβις σε περίπτωση που το σφάλμα σχετίζεται με κάτι απλό.

Ακολουθήστε τον παρακάτω απλό έλεγχο:

Τοποθετήστε μισό φλιτζάνι νερό στον περιστρεφόμενο δίσκο και κλείστε την πόρτα. Ορίστε το χρονόμετρο για μαγείρεμα για 1 λεπτό χρησιμοποιώντας επίπεδο ισχύος μικροκυμάτων P-100.

1. Ανάβει η λυχνία του φούρνου κατά το μαγείρεμα;
2. Λειτουργεί ο ανεμιστήρας; (Ελέγξτε τοποθετώντας το χέρι σας πάνω από τις οπές εξαερισμού.)
3. Ακούγεται ένα ηχητικό σήμα μετά από ένα λεπτό;
4. Είναι το νερό στο φλιτζάνι ζεστό;

Αν απαντήσατε "ΟΧΙ" σε οποιαδήποτε ερώτηση, πρώτα ελέγξτε αν ο φούρνος είναι συνδεδεμένος κανονικά και ότι δεν έχει καεί η ασφάλεια. Αν δεν υπάρχει αστοχία σε κανένα από τα δύο, ελέγξτε σύμφωνα με τον παρακάτω πίνακα επίλυσης προβλημάτων



ΠΡΟΕΙΔΟΠΟΙΗΣΗ: Ποτέ μην προσαρμόζετε, επισκευάζετε ή τροποποιείτε τον φούρνο μόνοι σας.

Είναι επικίνδυνο για οποιονδήποτε άλλο εκτός από τεχνικούς εκπαιδευμένους από την SHARP να εκτελούν εργασίες σέρβις ή επισκευής. Αυτό είναι σημαντικό καθώς μπορεί να σχετίζεται με την αφαίρεση καλυμμάτων που παρέχουν προστασία από την ενέργεια μικροκυμάτων.

- Τα στεγανωτικά της πόρτας εμποδίζουν τη διαρροή μικροκυμάτων κατά τη διάρκεια της λειτουργίας του φούρνου, αλλά δεν πρόκειται για αεροστεγανή σφράγιση. Είναι φυσιολογικό να παρατηρούνται σταγόνες νερού, φως ή θερμός αέρας γύρω από την πόρτα του φούρνου. Φαγητά με υψηλή περιεκτικότητα σε υγρασία αποδεσμεύουν ατμό και προκαλούν συμπύκνωση στο εσωτερικό της πόρτας, η οποία μπορεί να στάξει από τον φούρνο.
- Επισκευές και τροποποιήσεις: Μην επιχειρείτε να χειριστείτε τον φούρνο αν δεν λειτουργεί κανονικά.
- Εξωτερικό περίβλημα & πρόσβαση στη λυχνία: Ποτέ μην αφαιρείτε το εξωτερικό περίβλημα. Αυτό είναι πολύ επικίνδυνο λόγω εξαρτημάτων υψηλής τάσης που δεν πρέπει να αγγιχτούν ποτέ, αφού μπορεί να προκληθεί θάνατος.
Ο φούρνος δεν διαθέτει κάλυμμα πρόσβασης στη λυχνία. Αν καεί η λυχνία, μην επιχειρήσετε να την αντικαταστήσετε μόνοι σας, καλέστε μια εγκεκριμένη υπηρεσία σέρβις της SHARP.

ΠΙΝΑΚΑΣ ΕΠΙΛΥΣΗΣ ΠΡΟΒΛΗΜΑΤΩΝ

ΕΡΩΤΗΣΗ	ΑΠΑΝΤΗΣΗ
Κυκλοφορεί ρεύμα αέρα γύρω από την πόρτα.	Όταν λειτουργεί ο φούρνος, στο εσωτερικό του κυκλοφορεί αέρας. Η πόρτα δεν είναι αεροστεγανή. Έτσι, ο αέρας μπορεί να διαφεύγει από την πόρτα.
Μέσα στον φούρνο σχηματίζεται συμπύκνωση υδρατμών, που μπορεί να στάζουν από την πόρτα.	Το εσωτερικό του φούρνου συνήθως είναι ψυχρότερο από το φαγητό που μαγειρεύεται, οπότε ο ατμός που παράγεται κατά το μαγείρεμα συμπυκνώνεται στην ψυχρότερη επιφάνεια. Η ποσότητα του ατμού που παράγεται εξαρτάται από την περιεκτικότητα σε νερό του φαγητού που μαγειρεύεται. Ορισμένα φαγητά, όπως οι πατάτες, έχουν υψηλή περιεχόμενη υγρασία. Η συμπύκνωση υδρατμών που παγιδεύεται μέσα από την πόρτα θα πρέπει να διαλυθεί μετά από μερικές ώρες.
Παρατηρούνται λάμψεις ή ηλεκτρικά τόξα στο εσωτερικό του φούρνου κατά το μαγείρεμα.	Ο σχηματισμός ηλεκτρικού τόξου παρατηρείται όταν ένα μεταλλικό αντικείμενο έρχεται κοντά στην κοιλότητα του φούρνου κατά τη διάρκεια του μαγειρέματος. Αυτό μπορεί να προκαλέσει τράχυνση στην επιφάνεια της κοιλότητας, αλλά κατά άλλα δεν προκαλεί βλάβη στον φούρνο.
Παρατηρείται ηλεκτρικό τόξο σε πατάτες.	Βεβαιωθείτε πως έχουν αφαιρεθεί όλα τα "μάτια" από τις πατάτες και πως είναι τρυπημένες. Τοποθετήστε τις απευθείας στον περιστρεφόμενο δίσκο σε πυρίμαχο ή παρόμοιο σκεύος.
Κατά τη χρήση του φούρνου σε λειτουργία μόνο γκριλ, μπορεί να παρατηρήσετε ότι το θερμαντικό στοιχείο δεν φαίνεται αναμμένο όλη την ώρα.	Αυτό συμβαίνει επειδή η αντίσταση του γκριλ ανάβει και σβήνει για να διατηρεί τη θερμοκρασία του φούρνου στο προκαθορισμένο επίπεδο.
Κατά τη χρήση του γκριλ στη συνδυαστική λειτουργία, δεν φαίνεται να είναι αναμμένο.	Κατά τη διάρκεια συνδυαστικής λειτουργίας μαγειρέματος (μικροκύματα και γκριλ), ο φούρνος εναλλάσσεται μεταξύ των δύο λειτουργιών. Οι λειτουργίες μικροκυμάτων και γκριλ δεν είναι ποτέ ενεργοποιημένες ταυτόχρονα.
Ο φούρνος δεν λειτουργεί όταν πατηθεί το κουμπί START/QUICK START.	Ελέγξτε αν η πόρτα έχει κλείσει κανονικά.
Το μαγείρεμα στον φούρνο είναι πολύ αργό.	Βεβαιωθείτε πως έχει επιλεγεί το σωστό επίπεδο ισχύος.
Ο φούρνος κάνει θόρυβο.	Καθώς η ενέργεια μικροκυμάτων ενεργοποιείται και απενεργοποιείται, μπορεί να ακουστεί ένα βουητό. Αυτό είναι φυσιολογικό.
Μετά το μαγείρεμα, ο φούρνος κάνει θόρυβο ή φαίνεται να λειτουργεί ακόμα.	Στο τέλος του κύκλου μαγειρέματος, ο ανεμιστήρας μπορεί να παραμένει σε λειτουργία για μερικά λεπτά για να κρυώσει ο φούρνος. Αυτό είναι φυσιολογικό.
Το εξωτερικό περίβλημα είναι θερμό.	Το περίβλημα μπορεί να είναι θερμό στο άγγιγμα - κρατήστε τα παιδιά μακριά.
Εμφανίζεται η ένδειξη "LoC" στην οθόνη όταν πατηθεί ένα κουμπί.	Μετά από 30 δευτερόλεπτα ο φούρνος μεταβαίνει σε κατάσταση κλειδώματος, όπου δεν μπορεί να πατηθεί κανένα κουμπί. Ανοίξτε και κλείστε την πόρτα και τα κουμπιά θα λειτουργούν ξανά. Επίσης ελέγξτε αν η μονάδα είναι σε κατάσταση κλειδώματος.
Εμφανίζεται η ένδειξη "Fail" στην οθόνη και ακούγεται ένας ήχος από τον φούρνο κάθε λεπτό.	Αυτό συμβαίνει αν τα κουμπιά του πίνακα ελέγχου πατηθούν συνεχόμενα για περισσότερο από 1 λεπτό. Αποσυνδέστε τον φούρνο από την πρίζα για λίγα λεπτά και συνδέστε τον ξανά.
Ο φούρνος παράγει ήχο κάθε 30 δευτερόλεπτα.	Αφού ολοκληρωθεί το μαγείρεμα και αν δεν ανοίξει η πόρτα, ο ήχος ακούγεται κάθε 30 δευτερόλεπτα. Για να σταματήσει αυτό, ανοίξτε και κλείστε τον φούρνο.

ΠΡΙΝ ΚΑΛΕΣΤΕ ΓΙΑ ΒΟΗΘΕΙΑ

Πριν ζητήσετε σέρβις, ελέγξτε καθένα από τα παρακάτω στοιχεία:

- Ελέγξτε για να βεβαιωθείτε πως ο φούρνος είναι συνδεδεμένος καλά στο ρεύμα. Αν δεν είναι, αφαιρέστε το βύσμα από την πρίζα, περιμένετε 10 δευτερόλεπτα, και συνδέστε το ξανά καλά.
- Ελέγξτε αν έχει καεί κάποια ασφάλεια κυκλώματος ή αν ενεργοποιήθηκε ασφαλειοδιακόπτης. Αν αυτά φαίνεται να λειτουργούν σωστά, δοκιμάστε στην πρίζα μια άλλη συσκευή.
- Ελέγξτε για να βεβαιωθείτε πως τα περιστρεφόμενα κουμπιά ισχύος και χρονόμετρου έχουν ρυθμιστεί σωστά.
- Ελέγξτε για να βεβαιωθείτε πως η πόρτα έχει κλείσει καλά, ενεργοποιώντας το σύστημα ασφάλισης της πόρτας. Διαφορετικά, η ισχύς μικροκυμάτων δεν κυκλοφορεί μέσα στον φούρνο.

ΑΝ Η ΚΑΤΑΣΤΑΣΗ ΔΕΝ ΔΙΟΡΘΩΝΕΤΑΙ ΜΕ ΚΑΝΕΝΑ ΑΠΟ ΤΑ ΠΑΡΑΠΑΝΩ, ΤΟΤΕ ΕΠΙΚΟΙΝΩΝΗΣΤΕ ΜΕ ΕΞΟΥΣΙΟΔΟΤΗΜΕΝΟ ΤΕΧΝΙΚΟ. ΜΗΝ ΠΡΟΣΠΑΘΗΣΤΕ ΝΑ ΠΡΟΣΑΡΜΟΣΤΕ Ή ΝΑ ΕΠΙΣΚΕΥΑΣΤΕ ΤΟΝ ΦΟΥΡΝΟ ΜΟΝΟΙ ΣΑΣ.



Atención:

Su producto está marcado con este símbolo. Esto significa que los productos eléctricos y electrónicos usados no deberían mezclarse con los residuos domésticos generales. Existe un sistema de recogida especial para estos productos.



[www.sharpconsumer.com/
contact/](http://www.sharpconsumer.com/contact/)



[www.sharpconsumer.com/
support/](http://www.sharpconsumer.com/support/)



[www.sharpconsumer.com/
documents-of-conformity/](http://www.sharpconsumer.com/documents-of-conformity/)

A. Información sobre eliminación para particulares

1. En la Unión Europea

Atención: Si desea eliminar este equipo, no utilice el cubo de la basura habitual.

Los equipos eléctricos y electrónicos usados deben tratarse por separado de acuerdo con la legislación que requiere un tratamiento, una recuperación y un reciclaje adecuados de los equipos eléctricos y electrónicos usados.

Tras la aplicación por parte de los estados miembros, los hogares de los estados de la UE podrán devolver, sin coste alguno, sus equipos eléctricos o electrónicos usados a las instalaciones para ello designadas.*

En algunos países* el establecimiento local puede recoger el producto sin coste alguno por la compra uno nuevo similar.

*) Si desea más información, póngase en contacto con las autoridades locales.

Si sus equipos eléctricos o electrónicos usados incorporan pilas o acumuladores, elimínelos por separado con antelación siguiendo los requisitos locales. La correcta eliminación de estos productos ayuda a garantizar que los residuos sean sometidos a los procesos de tratamiento, recuperación y reciclaje adecuados, así como a prevenir los efectos negativos potenciales sobre el medio ambiente y la salud de los seres humanos resultante de una manipulación inadecuada de los residuos.

2. Países no pertenecientes a la Unión Europea

Si desea eliminar este producto, póngase en contacto con las autoridades locales para consultar el método correcto.

Para Suiza: los equipos eléctricos o electrónicos pueden devolverse al vendedor sin coste alguno, incluso si no compra ningún producto nuevo. Encontrará más información sobre los centros de recogida en la página de inicio www.swico.ch o www.sens.ch.

B. Información sobre eliminación para empresas

1. En la Unión Europea

Si el producto es utilizado para fines empresariales y desea eliminarlo: póngase en contacto con su distribuidor de SHARP, que le informará sobre la retirada del producto. Es posible que deba sufragar los costes derivados de la retirada y el reciclaje. También es posible que los centros de recogida locales acepten los productos pequeños (y en cantidades pequeñas).

Para España: póngase en contacto con el sistema de recogida establecido con la autoridad local para la retirada del producto usado.

2. Países no pertenecientes a la Unión Europea

Si desea eliminar este producto, póngase en contacto con las autoridades locales para consultar el método correcto de eliminación.

Para cuestiones de servicio diríjase a www.sharpconsumer.com/contact/ y para conocer sus derechos de garantía, diríjase www.sharpconsumer.com/support/ o póngase en contacto con el establecimiento en el que compró el producto.

Las declaraciones de conformidad está disponibles en www.sharpconsumer.com/documents-of-conformity/

PRECAUCIONES PARA EVITAR LA POSIBLE EXPOSICIÓN A LA ENERGÍA DE MICROONDAS

1. No intente utilizar este horno con la puerta abierta, ya que, de hacerlo, podría resultar expuesto a la energía de microondas. Es importante no eliminar ni manipular los cierres de seguridad,
2. No inserte ningún objeto entre la cara frontal y la puerta, ni permita que se acumulen residuos o desechos en la superficies selladas.
3. No use el horno si está dañado. Es muy importante que la puerta del horno cierre correctamente, y que ni la puerta, las bisagras, los cierres ni las juntas de la puerta y las superficies de sellado presenten daños.
4. No intente reparar ni ajustar el horno.

ÍNDICE

INSTRUCCIONES IMPORTANTES DE SEGURIDAD	3
INSTALACIÓN	11
INTERFERENCIA DE RADIO	12
INSTRUCCIONES DE TOMA DE TIERRA (MASA)	12
ESPECIFICACIONES	12
HORNO Y ACCESORIOS.....	13
PANEL DE CONTROL	14
ANTES DE UTILIZAR EL HORNO.....	15
AJUSTE DEL RELOJ	15
PREPARACIÓN DE ALIMENTOS CON LA FUNCIÓN DE MICROONDAS	16
INICIO RÁPIDO.....	17
PREPARACIÓN DE ALIMENTOS AL GRILL*	17
MICRONDAS + GRILL*	18
MENÚ AUTOMÁTICO	19
DESCONGELAR AUTOMÁTICAMENTE.....	22
RECALENTAR AUTOMÁTICAMENTE*.....	22
TEMPORIZADOR DE COCINA.....	23
FUNCIÓN DE AHORRO DE ENERGÍA	23
FUNCIÓN DE SILENCIO	24
BLOQUEO DE SEGURIDAD	24
BLOQUEO PARA NIÑOS	24
LIMPIEZA Y MANTENIMIENTO.....	25
UTENSILIOS ADECUADOS PARA EL HORNO.....	26
CONSEJOS PARA PREPARAR ALIMENTOS CON EL MICROONDAS.....	27
CONSEJOS PARA DESCONGELAR.....	29
CONSEJOS PARA RECALENTAR	30
RESOLUCIÓN DE PROBLEMAS.....	31
ANTES DE LLAMAR AL SERVICIO TÉCNICO	33

* - Solo para modelos con grill.

INSTRUCCIONES IMPORTANTES DE SEGURIDAD

LEA DETENIDAMENTE Y GUARDE PARA FUTURAS REFERENCIAS

Para prevenir incendios, no debe dejarse sin vigilancia el horno microondas durante el proceso de preparación de alimentos. Si se aplican niveles de potencia demasiado altos o periodos de preparación demasiado largos, los alimentos pueden sobrecalentarse y provocar un incendio.

Este horno se ha diseñado para usarse únicamente sobre una encimera. No se ha pensado para integrarse en una unidad de cocina. No coloque el horno dentro de un armario. La toma de corriente debe ser de fácil acceso para que la unidad pueda desconectarse fácilmente en caso de emergencia.

La toma de alimentación de CA debe ser de 230-240 V, 50 Hz, con un fusible de línea de distribución de 10 A o un disyuntor de corriente de 10 A como mínimo. Se deberá utilizar un circuito eléctrico independiente solo para este aparato.

No coloque el horno en zonas donde se genere calor, como cerca de un horno convencional. No instale el horno en áreas de alta humedad o donde se pueda acumular humedad. No guarde o use el horno en exteriores.

Si se observa humo, apague o desconecte el horno y mantenga la puerta cerrada con el fin de sofocar las llamas.

Utilice solamente recipientes y utensilios aptos para microondas. Se deberán comprobar los utensilios para verificar que son aptos para su uso en hornos de microondas. Al calentar alimentos en recipientes de papel o plástico, vigile el horno debido a la posibilidad de ignición.

Limpie la cubierta del guíaondas y la cavidad del horno. Estos elementos deben estar secos y no contener grasa.

La grasa acumulada puede recalentarse y provocar humo o incendios.

No coloque materiales inflamables cerca del horno o los orificios de ventilación. No bloquee los orificios de ventilación.

Extraiga todos los sellos metálicos, cierres con alambre, etc., de los alimentos y de los alimentos envasados. Los arcos eléctricos en superficies metálicas pueden provocar incendios.

No use el horno microondas para calentar aceite para freír. La temperatura no se puede controlar y el aceite puede incendiarse.

Cuando haga palomitas de maíz, utilice solamente fabricantes especializados en palomitas para microondas.

No almacene alimentos u otros artículos dentro del horno.

Compruebe la configuración después de encender el horno para asegurarse de que el aparato funciona como se desea.

No deje el horno sin atender mientras se usa.

Para evitar el calentamiento excesivo y un posible incendio, se debe prestar atención especial al preparar o recalentar alimentos con un contenido alto de azúcar o grasa, por ejemplo, salchichas, pasteles o pudin de Navidad. Consulte las sugerencias correspondientes en el manual de funcionamiento.

Para evitar la posibilidad de lesiones. ADVERTENCIA:

No use el horno si está dañado o no funciona correctamente. Compruebe lo siguiente antes de usar:

- a) Asegúrese de que la puerta está correctamente cerrada y de que no esté desalineada o deformada.
- b) Asegúrese de que las bisagras y las cerraduras de seguridad de la puerta no están rotas ni sueltas.
- c) Asegúrese de que las juntas de las puertas y superficies de sellado no están dañadas.
- d) Asegúrese de que interior de la cavidad del horno o la

puerta no presentan abolladuras.

- e) Asegúrese de que el cable de alimentación y el enchufe no estén dañados.

Si las juntas de la puerta o la puerta están dañadas, no debe utilizarse el horno hasta que haya sido reparado por una persona competente.

No ajuste, repare ni modifique el horno. Es peligroso para cualquier persona que no esté capacitada para llevar a cabo operaciones de mantenimiento o reparación que consistan en retirar una cubierta que sirva de protección contra la exposición a la energía de microondas.

No utilice el horno con la puerta abierta ni modifique las cerraduras de seguridad de ninguna manera. No utilice el horno si hay algún objeto entre las juntas de la puerta y las superficies de sellado.

No permita que la grasa ni la suciedad se acumulen en las juntas de las puertas y las partes adyacentes. Limpie el horno con regularidad y elimine los depósitos de alimentos.

Siga las instrucciones de "cuidado y limpieza". No mantener el horno limpio podría dar lugar a que la superficie se deteriore, y podría afectar negativamente a la vida útil del aparato y originar situaciones de peligro.

Las personas con MARCAPASOS deben consultar a su médico o al fabricante del marcapasos para tomar las precauciones debidas respecto a los hornos microondas.

Para evitar la posibilidad de una descarga eléctrica.

- Bajo ninguna circunstancia se deberá desmontar la carcasa exterior.
- No derrame ni inserte objetos en las aberturas de cerradura de la puerta u orificios de ventilación. En caso de que se

produzca un derrame, apague, desenchufe inmediatamente el aparato y llame a un agente autorizado de servicio SHARP.

- No sumerja el cable de alimentación ni el enchufe en agua u otros líquidos.
- No deje que el cable de alimentación cuelgue sobre el borde de una mesa o superficie de trabajo.
- Mantenga el cable de alimentación alejado de superficies calientes, incluida la parte posterior del horno.
- Mantenga el aparato y el cable fuera del alcance de los niños menores de ocho años.
- No trate de cambiar la lámpara del horno personalmente ni permita que ninguna persona no autorizada por SHARP lo haga. Si la lámpara se estropea, consulte a su distribuidor o un agente autorizado del servicio SHARP.
- Si el cable de alimentación presenta algún daño, deberá ser sustituido por personal de servicio autorizado de SHARP.

ADVERTENCIA: Los líquidos y otros alimentos no deben calentarse en recipientes cerrados, ya que podrían explotar. Calentar bebidas en el microondas puede retardar la ebullición, por lo que se deberá tener cuidado al manejar el recipiente. Para evitar la posibilidad de explosión y de una ebullición repentina:

No utilice recipientes herméticos. Retire los cierres y las tapas antes de utilizarlos. Los recipientes sellados pueden explotar debido al aumento de la presión incluso una vez que el horno se haya apagado. Tenga mucho cuidado cuando caliente líquidos. Use recipientes de boca ancha para dejar escapar las burbujas.

No caliente nunca líquidos en recipientes de boca estrecha tales como biberones, ya que el contenido del envase podría salir a chorros cuando se caliente y causar quemaduras.

Para prevenir la salida repentina del líquido hirviendo y posibles quemaduras:

1. No caliente durante una cantidad excesiva de tiempo.
2. Remueva el líquido antes de calentar o recalentar.
3. Es aconsejable introducir una varilla de cristal o un utensilio similar (no metálico) en el líquido mientras se calienta.
4. Deje el líquido en reposo durante al menos 20 segundos en el horno al final del tiempo de preparación para evitar ebulliciones posteriores.

No prepare huevos con cáscara ni caliente huevos duros en el microondas, ya que pueden explotar incluso después de que el aparato haya terminado la preparación. Para preparar o recalentar los huevos que no hayan sido revueltos o mezclados, perfora las yemas y las claras. Pele y corte los huevos duros antes de calentarlos en el horno microondas.

Perfore la piel de alimentos como patatas, salchichas y frutas antes de prepararlos, ya que pueden explotar.

ADVERTENCIA: Se debe revolver y agitar el contenido de biberones y envases de alimentación para bebés, y revisar la temperatura antes de su consumo con el fin de evitar quemaduras. Utilice agarradores o guantes de cocina cuando saque los alimentos del horno para evitar quemaduras. Para evitar la posibilidad de quemaduras:

- Cuando abra recipientes, envases para preparar palomitas de maíz, bolsas de cocinar al horno, etc., mantenga la cara y las manos a una distancia prudencial para evitar quemaduras por vapor y erupción hirviente. Para evitar quemaduras, compruebe siempre la temperatura de los alimentos, remueva antes de servir y preste especial atención a la temperatura de los alimentos y las bebidas destinados a bebés, niños o ancianos. Las piezas accesibles pueden calentarse

durante el uso. Los niños pequeños deben permanecer a una distancia prudencial.

- La temperatura de los recipientes no es un indicador real de la temperatura de los alimentos ni las bebidas; verifique siempre la temperatura de los alimentos.
- Mantenga siempre la distancia de la puerta del horno cuando se abra para evitar quemaduras por el vapor y el calor que se escapa.
- Corte los alimentos rellenos horneados después de calentar para liberar el vapor y evitar quemaduras.
- Mantenga a los niños lejos de la puerta para evitar que puedan quemarse.

ADVERTENCIA: Solo permita que los niños a partir de ocho años utilicen el horno sin supervisión cuando hayan recibido las instrucciones adecuadas para utilizarlo de una forma segura y comprendan los peligros de un uso inadecuado.

Cuando se utilice el aparato en los modos GRILL, MIX GRILL, CONVECTION, MIX CONVECTION y AUTO MENU (modo aplicable en función del modelo), los niños solo deben utilizar el horno bajo la supervisión de un adulto debido a la temperatura que se genera.

Este aparato no está diseñado para ser utilizado por personas (incluidos niños) con discapacidades físicas, sensoriales o mentales, con falta de experiencia y conocimiento, a menos que una persona responsable de su seguridad les supervise o instruya en su uso.

Se debe vigilar a los niños para asegurarse de que no jueguen con el electrodoméstico. La limpieza por parte de los niños debe supervisarse.

Los modelos con panel táctil electrónico cuentan con un modo de bloqueo.

No se apoye sobre la puerta del horno ni la balancee. No juegue con el horno ni lo utilice como un juguete.

Los niños deben aprender todas las instrucciones importantes de seguridad: el uso de agarraderas de cocina, la extracción cuidadosa de las tapas de los alimentos y prestar especial atención a los envases (por ejemplo, materiales de calentamiento automático) diseñados para hacer los alimentos crujientes, ya que pueden estar muy calientes.

Otras advertencias

No modifique el horno de ninguna manera.

No mueva el horno mientras esté en funcionamiento.

Este electrodoméstico se ha diseñado para un uso doméstico. Este horno se ha diseñado para preparar alimentos en el hogar únicamente. No es apto para uso comercial ni en laboratorios. Secar alimentos o ropa, y calentar almohadillas térmicas, zapa-tillas, esponjas, ropa húmeda u otros objetos similares puede provocar lesiones, explosión o fuego. Este horno no es apto para uso comercial ni de laboratorio.

Para fomentar el uso de su horno sin problemas y evitar daños.

Nunca utilice el horno si está vacío. Cuando utilice un plato para dorar o material de autocalentamiento, coloque siempre un aislante resistente al calor, como un plato de porcelana debajo para evitar daños en la base del horno debido al estrés por calor. No se debe exceder el tiempo de precalentamiento especificado en las instrucciones de los platos.

No utilice utensilios de metal, pues reflejan las microondas y pueden provocar arco eléctrico. No introduzca latas en el horno.

Para evitar que el plato giratorio o la base del horno se rompa:

a) Antes de limpiar con agua, deje se enfríe.

- b) No coloque alimentos calientes o fríos, o utensilios calientes en una base de horno o el plato giratorio frío.
- c) No coloque nada en el compartimiento exterior durante la operación.

NOTA:

No utilice contenedores de plástico para calentar en el microondas si el horno está todavía caliente después de utilizarlo en un modo de combinación (según el modelo del horno), porque podrían derretirse.

No se deben utilizar contenedores de plástico con el horno en estos modos, a menos que el fabricante del contenedor indique que resulta adecuado.

Si no está seguro de cómo conectar el horno, consulte a un electricista autorizado y certificado.

Ni el fabricante ni el distribuidor aceptan ninguna responsabilidad por averías en el horno o lesiones personales que resulten del incumplimiento del procedimiento de conexión eléctrica correcto.

Se puede formar vapor de agua o gotas de vez en cuando en las paredes del horno o alrededor de los sellos de las puertas y las superficies de sellado. Esto es normal y no un indicador de fugas o mal funcionamiento del microondas.

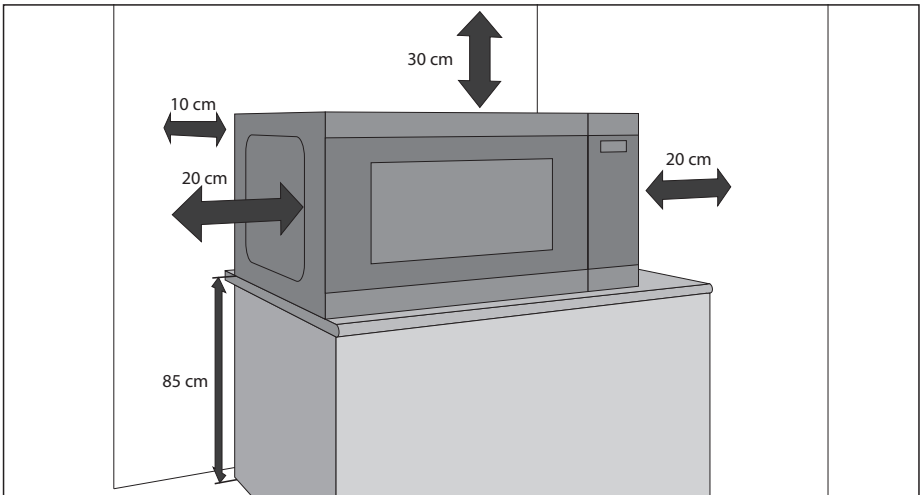
Este aparato está destinado para su uso doméstico y aplicaciones similares, tales como: áreas de cocina reservadas para personal en tiendas, oficinas y otros entornos profesionales, granjas, uso por parte de clientes de hoteles, moteles y otros entornos de tipo residencial, o de tipo pensión.



Este símbolo significa que las superficies pueden calentarse durante el uso.

INSTALACIÓN

1. Retire todos los materiales de embalaje del interior del horno y cualquier película protectora que se encuentre en la superficie de la carcasa del horno microondas.
2. Revise detenidamente el horno para detectar cualquier signo de avería.
3. Coloque el horno en una superficie nivelada segura, lo suficientemente firme como para que pueda soportar el peso del horno, sumándole el artículo más pesado posible para cocinar en el horno. No coloque el horno sobre un armario.
4. Seleccione una superficie plana que proporcione suficiente espacio abierto para las rejillas de ventilación de entrada o salida. Consulte la imagen de la primera página. La superficie posterior del aparato se debe colocar contra una pared.
 - La altura mínima de la instalación es de 85 cm.
 - Se requiere un espacio mínimo de 20 cm entre las paredes del horno y las paredes u objetos adyacentes.
 - Deje un espacio de 30 cm como mínimo por encima del horno.
 - No quite las patas de la parte inferior del horno.
 - Bloquear los orificios de entrada o de salida puede provocar daños en el horno.
 - Sitúe el horno lo más alejado de la radio y la televisión como sea posible. El funcionamiento del horno de microondas puede provocar interferencias en la recepción de radio o televisión.



5. Conecte de forma segura el enchufe del horno a una toma de corriente eléctrica estándar conectada a tierra.

ADVERTENCIA:

No coloque el horno en un lugar donde se genere calor, vaho o mucha humedad (por ejemplo, cerca o encima de un horno convencional), o cerca de materiales combustibles (por ejemplo, cortinas).

No bloquee ni obstruya los orificios de ventilación de aire.

No coloque objetos encima del horno.

No toque el exterior del microondas cuando esté en funcionamiento o poco después de utilizarlo porque estará caliente.

INTERFERENCIA DE RADIO

El uso del microondas puede causar interferencias en aparatos de radio, televisores u otros equipos similares. Las interferencias se pueden reducir adoptando las siguientes medidas:

1. Limpie la puerta y la cavidad en sus zonas de contacto.
2. Reoriente la dirección de la antena receptora de radio o televisión.
3. Reubique el horno con respecto al receptor.
4. Enchufe el microondas a una toma diferente de modo que el horno y el receptor no se encuentren en la misma toma de electricidad.

INSTRUCCIONES DE TOMA DE TIERRA (MASA)

Este electrodoméstico debe contar con una toma a tierra. Este horno está equipado con un cable que incluye un hilo de puesta a tierra con una patilla en el enchufe. El enchufe debe conectarse a una toma de pared correctamente instalada y con puesta a tierra. En el caso de que se produzca un cortocircuito eléctrico, la puesta a tierra reduce el riesgo de una descarga eléctrica a través de un cable de escape para la corriente eléctrica. Se recomienda utilizar un circuito separado solo para el horno.

⚠ ADVERTENCIA: El uso inadecuado del enchufe de puesta a tierra puede dar como resultado una descarga eléctrica.

NOTA:

1. Si tiene alguna duda sobre las instrucciones eléctricas o de puesta a tierra, consulte a un técnico o a un electricista certificado.
2. Ni el fabricante ni el distribuidor aceptan ninguna responsabilidad por averías en el horno o lesiones personales resultantes del incumplimiento del procedimiento de conexión eléctrica.

El cable de alimentación utilizado en su horno microondas utiliza los siguientes cables de colores:

Verde y amarillo: toma a tierra

Azul: neutro

Marrón = fase

ESPECIFICACIONES

Nombre del modelo:	YC-PS204A	YC-PS234A	YC-PS254A	YC-PG204A	YC-PG234A	YC-PG254A	YC-PG284A
Tensión de línea de CA	230~240 V, 50 Hz monofásico						
Fusible/interruptor del circuito de la línea de distribución	10 A						
Potencia:	700 W	900 W	900 W	700 W	900 W	900 W	900 W
Microondas							
Grill				900 W	1000 W	1000 W	1000 W
Modo apagado	<0,5 W						
Modo de ahorro de energía	>0,5 W						
Potencia de CA requerida	1200 W	1400 W	1400 W	1400 W	1400 W	1400 W	1400 W
Frecuencia de microondas	2450 MHz*						
Dimensiones exteriores (An) x (Al) x (P) mm	455 x 274 x 334	483 x 281 x 377	483 x 281 x 403	455 x 274 x 345	483 x 281 x 395	483 x 281 x 403	539 x 309 x 441
Dimensiones de la cavidad (An) x (Al) x (P)** mm	315 x 198 x 297	340 x 220 x 320	340 x 220 x 344	315 x 198 x 297	340 x 220 x 320	340 x 220 x 344	354 x 220 x 358
Capacidad del horno	20 litros**	23 litros**	25 litros**	20 litros**	25 litros**	25 litros**	28 litros**
Diámetro del plato giratorio	245 mm	270 mm	270 mm	245 mm	270 mm	270 mm	325 mm
Tamaño de la parrilla (An) x (P) mm				190 x 79	80 x 208	80 x 208	89 x 285
Peso	aprox. 10,5 kg	aprox. 12,9 kg	aprox. 13,5 kg	aprox. 10,9 kg	aprox. 13,9 kg	aprox. 13,7 kg	aprox. 16,6 kg
Lámpara del horno (tipo LED)	1,5 W						

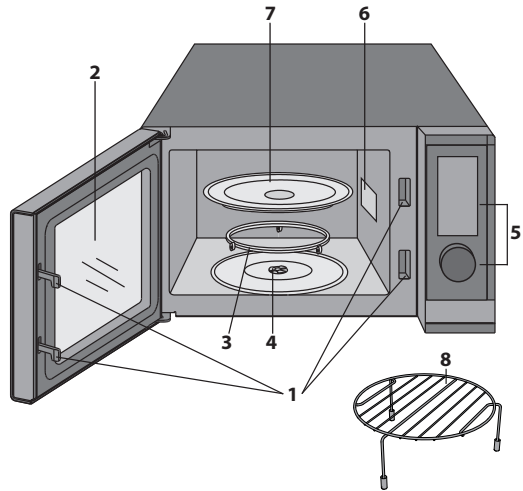
* - Este producto cumple los requisitos de la norma europea EN55011. De conformidad con esta norma, este producto se clasifica como equipo de grupo 2 clase B. Grupo 2 significa que el equipo genera energía de radiofrecuencia intencionadamente en forma de radiación electromagnética para el tratamiento térmico de los alimentos. Clase B significa que el equipo se puede usar en entornos domésticos.

** - La capacidad interna se calcula midiendo la anchura, la profundidad y la altura máxima. La capacidad real de almacenaje de alimentos es inferior.

COMO PARTE DE UNA POLÍTICA DE MEJORA CONTINUA, NOS RESERVAMOS EL DERECHO DE CAMBIAR EL DISEÑO SIN PREVIO AVISO.

HORNO Y ACCESORIOS

1. Sistema de bloqueo de seguridad de la puerta
2. Ventana del horno
3. Anillo de rodamiento
4. Acoplamiento del plato giratorio
5. Botones de control y mando giratorio
6. Tapa del emisor de ondas (no extraer)
7. Bandeja de cristal
8. Parrilla para los modelos YC-PG204A, YC-PG234A, YC-PG254A y YC-PG284A
9. Orificios de ventilación
10. Mueble exterior
11. Cable de alimentación



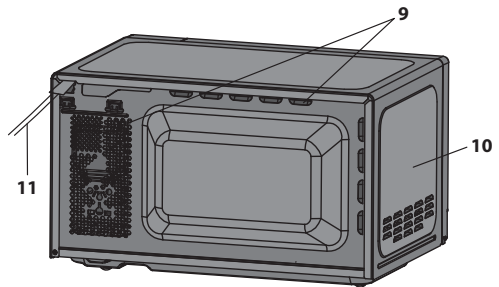
Compruebe que están incluidos los siguientes accesorios:

Solo para hornos con grill:

- **Parrilla:** para usar cuando se preparan alimentos solo con la función de grill.
- La parrilla se ha diseñado para usarse solo con hornos con grill. No utilice la parrilla con la función de microondas.
- Para utilizar la parrilla consulte las secciones dedicadas a la preparación de alimentos con la función grill de este manual de usuario.

Nunca toque el grill cuando esté caliente.

NOTA: Cuando realice pedidos de accesorios, mencione dos elementos: el nombre de la pieza y el nombre del modelo.



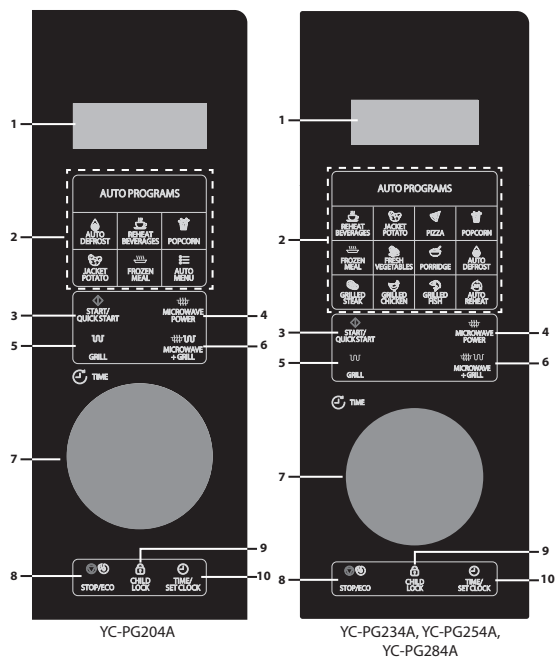
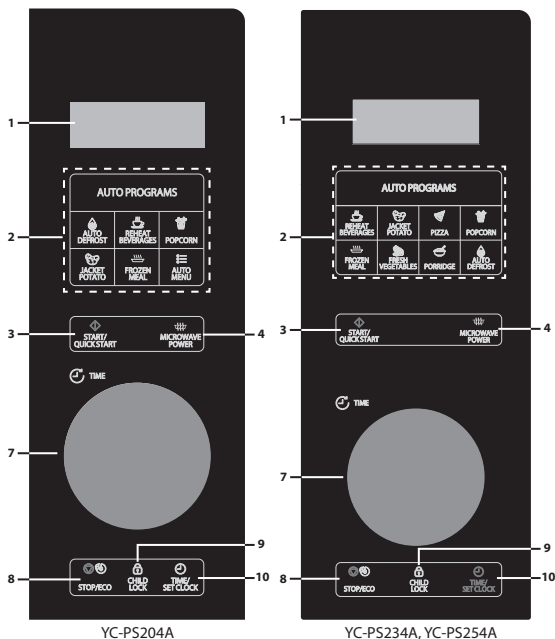
NOTAS:

- Después de preparar alimentos grasos sin una tapa, limpie bien siempre la cavidad; esta debe estar seca y libre de grasas. La grasa acumulada puede recalentarse y causar humo o incendiarse.
- Cuando utilice el microondas, coloque siempre los utensilios en la placa giratoria.
- NO utilice la parrilla con la función de microondas únicamente.

⚠ ADVERTENCIA: Este símbolo significa que las superficies pueden calentarse durante el uso. La puerta, el armario exterior, el interior del horno, los accesorios y los platos pueden alcanzar altas temperaturas durante el funcionamiento. Para prevenir quemaduras, utilice siempre guantes gruesos para horno.

PANEL DE CONTROL

- PANTALLA DIGITAL:** muestra el tiempo de cocción, la potencia, el reloj e otros indicadores.
- Teclas de MENÚS AUTOMÁTICOS:** pulse para seleccionar un menú de cocción automático (consulte la página 19 para obtener consejos sobre su uso).
- START/QUICK START (INICIO/INICIO RÁPIDO):** (página 17).
- MICROWAVE POWER (POTENCIA DE MICROONDAS):** pulse para seleccionar el nivel de potencia del microondas. (Página 16).
- GRILL** pulse para establecer el programa de preparación de alimentos al grill. (Página 17).
- MICROWAVE+GRILL (MICROONDAS+GRILL):** pulse para establecer el programa de cocción combinada de microondas y grill. (Página 18).
- MANDO CIRCULAR:** gire hacia la derecha o hacia la izquierda para establecer varias funciones.
- STOP/ECO (PARAR/MODO ECO):** pulse una vez para detener temporalmente la cocción o dos veces para cancelar la cocción completamente. Permite establecer el modo de ahorro de energía. (Página 23).
- CHILD LOCK (BLOQUEO PARA NIÑO):** (Página 24).
- TIME/SET CLOCK (HORA/AJUSTE DEL RELOJ):** permite establecer la hora y la función de temporizador. (Página 15).



ANTES DE UTILIZAR EL HORNO

Cuando el horno se enchufa por primera vez, se oirá un pitido y la pantalla mostrará «1:00». Tenga en cuenta que no es necesario ajustar el reloj para que el horno funcione correctamente. Siga las instrucciones de la sección «**Ajuste del reloj**» de este manual de instrucciones.

La primera vez que se utilice el grill, el aparato puede despedir humo y olores. Para evitar que esto ocurra cuando se están preparando alimentos, utilice la función de grill sin alimentos durante aproximadamente 20 minutos.

- Tras abrir y cerrar la puerta, el horno entrará en modo en espera. Si no se pulsa ningún botón durante un minuto, la pantalla permanecerá encendida y los botones no funcionarán. Para volver al modo en espera, abra y cierre la puerta.
- Durante la preparación de alimentos, si se presiona el botón **STOP/ECO** una vez, el ciclo de preparación de alimentos se detendrá. Para reiniciar la preparación de alimentos, pulse el botón **START/QUICK START**. Si se pulsa el botón **STOP/ECO** dos veces, la preparación de alimentos se detendrá.
- Cuando se programe el horno para una función particular y se produzca una pausa entre las pulsaciones de los botones superior a 30 segundos, el horno volverá al modo en espera.
- Cuando se complete el ciclo de preparación de alimentos, la pantalla mostrará «End» (Final) y se oirá un todo cada dos minutos hasta que se pulse un botón o se abra la puerta.

AJUSTE DEL RELOJ

Este horno incorpora un reloj que se puede usar en modo de 12 o de 24 horas. Para ajustar el reloj, siga las instrucciones que se indican a continuación:

1. En modo en espera, mantenga pulsado el botón **TIME/SET CLOCK** durante al menos 3 segundos para acceder al modo de ajuste del reloj.
 2. Pulse el botón **TIME/SET CLOCK** para elegir entre el modo de reloj de 12 o de 24 horas.
 3. Gire el **MANDO CIRCULAR** para ajustar la hora. Pulse el botón **TIME/SET CLOCK** para almacenar la hora.
 4. Gire el **MANDO CIRCULAR** para ajustar los minutos. Pulse el botón **TIME/SET CLOCK** para almacenar los minutos y salir del modo de ajuste del reloj.
- No es necesario ajustar el reloj del horno para que funcione con normalidad.
 - En el modo de preparación de alimentos, pulse el botón **TIME/SET CLOCK** para ver la hora del día (si se ha ajustado). La hora del día volverá a la cuenta atrás de preparación de alimentos trascurridos cinco segundos. Tenga en cuenta que la hora del día no se puede ver si se ha establecido el temporizador de la cocina.

PREPARACIÓN DE ALIMENTOS CON LA FUNCIÓN DE MICROONDAS

Para usar la función de microondas, siga las instrucciones que se indican a continuación:

1. En el modo en espera, pulse el botón **MICROWAVE POWER** para seleccionar el nivel de potencia. Cada vez se pulse este botón, la pantalla mostrará el nivel de potencia de las microondas.
2. Una vez seleccionado el nivel de potencia de microondas deseado, gire el **MANDO CIRCULAR** para seleccionar el tipo de preparación de alimentos.
3. Pulse el botón **START/QUICK START** para iniciar la preparación de alimentos.
4. Cuando se complete el ciclo de preparación de alimentos, la pantalla mostrará «End» (Final) y se oirá un tono cada dos minutos hasta que se pulse un botón o la puerta se abra.

Tenga en cuenta las indicaciones de la tabla siguiente como guía. El horno tiene 10 niveles de potencia de microondas; 10%, 20%, 30%, 40%, 50%, 60%, 70%, 80%, 90% y 100 %. La salida de tensión actual puede calcularse multiplicando la potencia de microondas por el porcentaje.

Guía para preparar alimentos con el microondas:

Pantalla	Potencia de microondas	Uso sugerido
P100	100 %	Se utiliza para preparar o recalentar alimentos rápidamente, por ejemplo, guisos, bebidas calientes, verduras, etc.
P-80	80 %	Para alimentos densos que requieren un periodo de preparación largo cuando se preparan de manera convencional, por ejemplo, asados de carne, es recomendable utilizar esta configuración de potencia para garantizar que la carne quede tierna.
P-60	60 %	Para la preparación durante más tiempo de alimentos densos como asados, pasteles de carne y alimentos emplatados; también para platos sensibles como salsa de queso y bizcochos.
P-40	40 %	Para asegurarse de que el plato se descongela de manera uniforme, seleccione esta configuración de potencia. Este ajuste es ideal para preparar arroz, pasta, albóndigas y flan de huevo a fuego lento.
P-20	20 %	Para descongelar alimentos lentamente, por ejemplo, de pasteles de crema u hojaldre.

- Durante la preparación de alimentos, puede comprobar el nivel de potencia de cocción si mantiene pulsado el botón **MICROWAVE POWER**.
- El tiempo máximo de cocción es de 95 minutos.

INICIO RÁPIDO

Si necesita preparar alimentos a nivel de potencia 100 %, pulse simplemente el botón **START/QUICK START** del **MANDO CIRCULAR** mientras está en el modo en espera. Cada vez que pulse el botón **START/QUICK START**, se añadirán 30 segundos al tiempo de preparación de alimentos.

PREPARACIÓN DE ALIMENTOS AL GRILL*

El elemento de calor del grill situado en la parte superior de la cavidad del horno solo tiene un ajuste de potencia, y es eficiente y económico. El grill es ideal para preparar beicon, filetes de jamón de cerdo, palitos de pescado y pasteles de té.

Utilice la parrilla para asar pequeñas piezas de alimentos como beicon y salchichas, dándoles la vuelta a mitad de preparación. Los alimentos se puede colocar directamente sobre la parrilla o sobre un plato de flan o en un plato resistente al calor. Para asegurarse de que no gotea grasa o aceite de los alimentos que se están preparando, coloque una bandeja adecuada debajo de la parrilla.

Al dorar o tostar la superficie de alimentos en una cazuela, se puede utilizar la parrilla si el contenedor es lo suficientemente plano. Sin embargo, se aconseja colocar este tipo de contenedores directamente sobre el plato giratorio. Permita cierto tiempo adicional para dorar o tostar al gusto. No se debe usar la parrilla para asar.

Para usar la función de grill, siga las instrucciones que se indican a continuación:

1. En el modo en espera, pulse el botón **GRILL** para seleccionar la función de grill. La pantalla mostrará **«Grill»**.
2. Gire el **MANDO CIRCULAR** para seleccionar el tiempo de preparación de los alimentos.
3. Pulse el botón **START/QUICK START** para iniciar la preparación de alimentos.
4. Cuando se complete el ciclo de preparación de alimentos, la pantalla mostrará **«End»** (Final) y el tono se oír cada dos minutos hasta que se pulse un botón o la puerta se abra.

* - Solo para modelos con grill.

MICRONDAS + GRILL*

El uso de la función de microondas y grill permite preparar alimentos y dorarlos rápidamente. Para usar la función de microondas y grill, siga las instrucciones que se indican a continuación:

1. En modo en espera, pulse el botón **MICROWAVE+GRILL** una o dos veces para seleccionar «Co-1» o «Co-2».
2. Gire el **MANDO CIRCULAR** para seleccionar el tiempo de preparación de alimentos.
3. Pulse el botón **START/QUICK START** para comenzar.
4. Cuando se complete el ciclo de preparación de alimentos, la pantalla mostrará «End» (Final) y se oirá un tono cada dos minutos hasta que se pulse un botón o la puerta se abra.

Función Microwave + Grill

Pantalla	Salida	Uso sugerido
Co-1	70 % parrilla, 30 % microondas	Despieces de pollo, pechugas de pollo Y chuletas de cerdo
Co-2	56 % parrilla, 44 % microondas	Pollo entero

- El tiempo máximo de preparación con la función de asado es 95 minutos.
- Durante la operación de asado permita que el humo y los olores se dispersen abriendo una ventana o encendiendo la ventilación de la cocina. Esto es normal y no es indicativo de avería del horno.
- Durante la preparación de alimentos, puede comprobar la combinación actual de potencia de cocción tocando el botón **MICROWAVE + GRILL**.
- Al utilizar la función de grill, el grill se activará y se desactivará a intervalos regulares para evitar el sobrecalentamiento.
- Al utilizar la función MICROWAVE+GRILL, los alimentos se puede situar en un contenedor adecuado directamente sobre el plato giratorio del horno o sobre la parrilla proporcionada.

ADVERTENCIA: La puerta, el armario exterior, el interior del horno, los accesorios y los platos pueden calentarse mucho durante el uso del aparato. Para prevenir quemaduras utilice siempre guantes gruesos para horno.

* - Solo para modelos con grill.

MENÚ AUTOMÁTICO

Para su comodidad, los programas automáticos permiten preparar alimentos de forma rápida y eficiente con la pulsación de unos pocos botones. No es necesario programar la duración ni la potencia de cocción. Todo lo que necesita hacer es pulsar el botón de preparación automática de alimentos, introducir el peso o las piezas girando el **MANDO CIRCULAR** y pulsar el botón **START/QUICK START**.

Por ejemplo, para preparar dos unidades de patatas asadas.

1. Abra la puerta y coloque los alimentos dentro del horno utilizando los contenedores adecuados para el ciclo de cocción que se va a usar.
2. Cierre la puerta.
3. Pulse el botón **JACKET POTATO** (Patatas asadas).
4. Gire el **MANDO CIRCULAR** para introducir el número de patatas.
5. Pulse el botón **START/QUICK START**.
6. Cuando se complete el ciclo de preparación de alimentos, la pantalla mostrará «End» (Final) y se oirá un tono cada dos minutos hasta que se pulse un botón o la puerta se abra.

Menús de cocción automática:

Programas automáticos	Tamaño/peso
Alimentos congelados (g) Descongelar automáticamente Recalentar automáticamente	Seleccione el peso girando MANDO CIRCULAR . Alimentos congelados y recalentar automáticamente (de 200 a 800 g), Descongelación automática (de 100 a 1800 g)
Recalentar bebidas	Seleccione el número de tazas (200 ml cada una) girando el MANDO CIRCULAR . De 1 a 3 tazas.
Patatas asadas	Seleccione el número de unidades (230 gr. cada una) girando el MANDO CIRCULAR . De 1 a 2 patatas.
Pizza	Seleccione el peso de la pizza (150 g/300 g/450 g) girando el MANDO CIRCULAR .
Palomitas	Seleccione el número de paquetes de palomitas (100 gr. cada uno) girando el MANDO CIRCULAR .
Verduras frescas	Seleccione el peso de las verduras (de 200 g a 600 g) girando el MANDO CIRCULAR .
Gachas	Seleccione el peso de las gachas (gramos) girando el MANDO CIRCULAR . De 50 a 150 g.
Filete asado (solo modelos con grill)	Seleccione el peso del filete (de 200 g a 600 g) girando el MANDO CIRCULAR .
Pollo asado (solo modelos con grill)	Seleccione el peso del pollo (de 200 g a 600 g) girando el MANDO CIRCULAR .
Pescado asado (solo modelos con grill)	Seleccione el peso del pescado (de 200 g a 600 g) girando el MANDO CIRCULAR .

- El resultado de la preparación automática depende de factores como la forma y el tamaño de los alimentos, su preferencia personal en cuanto a la preparación de determinados alimentos y de cómo se dispongan los alimentos en el horno. Si descubre que el resultado no es del todo satisfactorio, ajuste el tiempo de cocción en consecuencia.

Nota: Nota: El botón de menú automático solo se utiliza en los modelos YC-PG204A y YC-PS204A. Cada vez que se pulsa el botón de menú automático, la pantalla mostrará el programa automático como se indica en la tabla anterior. Cuando encuentre el menú deseado, gire el **MANDO CIRCULAR** para seleccionar el peso de los alimentos que desea preparar.

Detalles de los programas automáticos

Alimento	Cantidad	Temperatura inicial	Técnica de cocción
Recalentar bebidas	De 1 a 3 tazas; 1 taza = 200 ml	Ambiente	<ol style="list-style-type: none"> 1. Coloque la bebida que desea calentar en el centro del plato giratorio de cristal para microondas 2. Cierre la puerta y pulse el botón REHEAT BEVERAGES y seleccione el número de tazas con ayuda del MANDO GIRATORIO. 3. Pulse el botón START/QUICK START para iniciar la preparación de alimentos. 4. Cuando el temporizador se detenga, retire la bebida. Tenga cuidado porque la bebida estarán caliente.
Patatas asadas	De 1 a 2 patatas 1 patata = 230±10 g	Ambiente	<ol style="list-style-type: none"> 1. Lave y seque la patata o patatas, y pinche su superficie con un tenedor varias veces. 2. Coloque la patata o patatas en el centro del plato giratorio de cristal para microondas. 3. Cierre la puerta y pulse el botón JACKET POTATO y seleccione el número de patatas con ayuda del MANDO GIRATORIO. 4. Pulse el botón START/QUICK START para iniciar la preparación de alimentos. 5. Cuando el temporizador se detenga, retire la patata o patatas del microondas. Tenga cuidado porque los alimentos estarán calientes.
Pizza	De 150 al 450 g	Congelado -18 °C	<ol style="list-style-type: none"> 1. Coloque la pizza en un plato apto para microondas en el centro del plato giratorio de cristal del microondas. 2. Cierre la puerta y pulse el botón PIZZA y seleccione el peso con ayuda del MANDO GIRATORIO. 3. Pulse el botón START/QUICK START para iniciar la preparación de alimentos. 4. Cuando el temporizador se detenga, retire la pizza del microondas. Tenga cuidado porque los alimentos estarán calientes.
Palomitas	100 g	Ambiente	<ol style="list-style-type: none"> 1. Coloque las palomitas en el centro del plato giratorio de cristal del microondas. 2. Cierre la puerta y pulse el botón POPCORN. 3. Pulse el botón START/QUICK START para iniciar la preparación de alimentos. 4. Cuando el temporizador se detenga, retire las palomitas del microondas. Tenga cuidado porque los alimentos estarán calientes.
Alimentos congelados (g)	De 200 al 800 g	Congelado -18 °C	<ol style="list-style-type: none"> 1. Ponga los alimentos congelados en una fuente apta para microondas y cúbrala con film transparente; perforo agujeros en el plástico. 2. Coloque el plato en el centro del plato giratorio de cristal del microondas. 3. Cierre la puerta y pulse el botón FROZEN MEAL y seleccione el peso con ayuda del MANDO GIRATORIO. 4. Pulse el botón START/QUICK START para iniciar la preparación de alimentos. 5. Cuando el temporizador se haya detenido, saque y sirva. Tenga cuidado porque los alimentos estarán calientes.
Verduras frescas	De 200 al 600 g	Ambiente	<ol style="list-style-type: none"> 1. Lave y corte las verduras en trozos pequeños de 25 a 30 mm de longitud y 10 mm de grosor. 2. Ponga estos trozos en un cuenco de cerámica apto para microondas y cúbralos con film transparente; perforo agujeros en el plástico. 3. Coloque el cuenco en el centro del plato giratorio de cristal del microondas. 4. Cierre la puerta y pulse el botón FRESH VEGETABLES y seleccione el peso con ayuda del MANDO GIRATORIO. 5. Pulse el botón START/QUICK START para iniciar la preparación de alimentos. 6. Cuando el temporizador se haya detenido, saque y sirva. Tenga cuidado porque los alimentos estarán calientes.
Gachas	De 50 al 150 g	Ambiente	<ol style="list-style-type: none"> 1. Mezcle los copos de avena y la leche en un cuenco. Se sugiere 180 ml de leche por cada 50 g de avena. 2. Coloque el cuenco en el centro del plato giratorio de cristal. 3. Cierre la puerta, pulse el botón PORRIDGE y seleccione el peso con ayuda del MANDO GIRATORIO. 4. Pulse el botón START/QUICK START para iniciar la preparación de alimentos. 5. Cuando el temporizador se haya detenido, saque y sirva.
Recalentar automáticamente	De 200 al 800 g	Fresco 5 °C	<ol style="list-style-type: none"> 1. Ponga el arroz o la pasta fríos en un cuenco de cerámica apto para microondas y cúbrelos con film transparente; perforo agujeros en el plástico. 2. Coloque el cuenco en el centro del plato giratorio de cristal del horno microondas. 3. Cierre la puerta y pulse el botón AUTO REHEAT y seleccione el peso con ayuda del MANDO GIRATORIO. 4. Pulse el botón START/QUICK START para iniciar la preparación de alimentos. 5. Cuando el temporizador se haya detenido, saque y sirva.
Bistec a la parrilla	De 200 al 600 g	Ambiente	<ol style="list-style-type: none"> 1. Distribuya uniformemente el filete sobre la rejilla de la parrilla cubierta con papel antigrasa. 2. Coloque la rejilla del grill en el centro del plato giratorio de cristal para microondas. 3. Cierre la puerta y pulse el botón GRILLED STEAK y seleccione el peso con ayuda del MANDO GIRATORIO. 4. Pulse el botón START/QUICK START para iniciar la preparación de alimentos. 5. Transcurridos dos tercios del tiempo de cocción, abra la puerta para dar la vuelta a los alimentos y, a continuación, cierre la puerta y continúe la cocción. 6. Cuando el temporizador se haya detenido, saque y sirva. Tenga cuidado, ya que los alimentos y los utensilios estarán calientes.
Piezas de pollo asado	De 200 al 600 g	Ambiente	<ol style="list-style-type: none"> 1. Distribuya uniformemente las piezas de pescado sobre la rejilla de la parrilla cubierta con papel antigrasa. 2. Coloque la rejilla del grill en el centro del plato giratorio de cristal para microondas. 3. Cierre la puerta y pulse el botón Pollo asado y seleccione el peso girando el JOG DAIL. 4. Pulse el botón START/QUICK START para iniciar la preparación de alimentos. 5. Transcurridos dos tercios del tiempo de cocción, abra la puerta para dar la vuelta a los alimentos y, a continuación, cierre la puerta y continúe la cocción. 6. Cuando el temporizador se haya detenido, saque y sirva. Tenga cuidado, ya que los alimentos y los utensilios estarán calientes.
Piezas de pescado al grill	De 100 al 500 g	Ambiente	<ol style="list-style-type: none"> 1. Distribuya uniformemente las piezas de pescado sobre la rejilla de la parrilla cubierta con papel antigrasa. 2. Coloque la rejilla del grill en el centro del plato giratorio de cristal para microondas. 3. Cierre la puerta y pulse el botón GRILLED FISH y seleccione el peso con ayuda del MANDO GIRATORIO. 4. Pulse el botón START/QUICK START para iniciar la preparación de alimentos. 5. Transcurridos dos tercios del tiempo de cocción, abra la puerta para dar la vuelta a los alimentos y, a continuación, cierre la puerta y continúe la cocción. 6. Cuando el temporizador se haya detenido, saque y sirva. Tenga cuidado, ya que los alimentos y los utensilios estarán calientes.

Nota	Modo de horno y método utilizado	YC-PS204A	YC-PS234A y YC-PS254A	YC-PG204A	YC-PG234A, YC-PG254A y YC-PG284A
	Microondas solo al 100 %	1 taza: 1:40 minutos 2 tazas: 3:00 minutos 3 tazas: 4:20 minutos	1 taza: 1:30 minutos 2 tazas: 2:40 minutos 3 tazas: 3:50 minutos	1 taza: 1:40 minutos 2 tazas: 3:00 minutos 3 tazas: 4:20 minutos	1 taza: 1:30 minutos 2 tazas: 2:40 minutos 3 tazas: 3:50 minutos
	Microondas solo al 100 %	1 patata: 6:00 minutos 2 patatas: 9:00 minutos 3 patatas: 13:00 minutos	1 patata: 5:00 minutos 2 patatas: 8:00 minutos 3 patatas: 12:00 minutos	1 patata: 6:00 minutos 2 patatas: 9:00 minutos 3 patatas: 13:00 minutos	1 patata: 5:00 minutos 2 patatas: 8:00 minutos 3 patatas: 12:00 minutos
En los modelos YC-PS204A y YC-PG204A es necesario pulsar el botón AUTO MENU hasta que aparezca el programa.	Microondas solo al 100 %	150 g: 1:00 minutos 300 g: 1:30 minutos 450 g: 2:00 minutos	150 g: 0:50 minutos 300 g: 1:20 minutos 450 g: 1:50 minutos	150 g: 1:00 minutos 300 g: 1:30 minutos 450 g: 2:00 minutos	150 g: 0:50 minutos 300 g: 1:20 minutos 450 g: 1:50 minutos
	Microondas solo al 100 %	100 g: 3:00 minutos	100 g: 2:00 minutos	100 g: 3:00 minutos	100 g: 2:30 minutos
	Microondas al 100 % durante 1/2 tiempo, luego al 0 % durante 1/6 de tiempo y finalmente al 100 % durante 1/3 de tiempo.	200 g: 8:00 minutos 400 g: 11:00 minutos 600 g: 15:00 minutos 800 g: 18:00 minutos	200 g: 6:00 minutos 400 g: 9:00 minutos 600 g: 13:00 minutos 800 g: 16:00 minutos	200 g: 8:00 minutos 400 g: 11:00 minutos 600 g: 15:00 minutos 800 g: 18:00 minutos	200 g: 6:00 minutos 400 g: 9:00 minutos 600 g: 12:00 minutos 800 g: 16:00 minutos
En los modelos YC-PS204A y YC-PG204A es necesario pulsar el botón AUTO MENU hasta que aparezca el programa.	Microondas solo al 100 %	200 g: 3:30 minutos 300 g: 4:30 minutos 400 g: 5:30 minutos 500 g: 6:30 minutos 600 g: 7:30 minutos	200 g: 3:00 minutos 300 g: 4:00 minutos 400 g: 5:00 minutos 500 g: 6:00 minutos 600 g: 7:00 minutos	200 g: 3:30 minutos 300 g: 4:30 minutos 400 g: 5:30 minutos 500 g: 6:30 minutos 600 g: 7:30 minutos	200 g: 3:00 minutos 300 g: 4:00 minutos 400 g: 5:00 minutos 500 g: 6:00 minutos 600 g: 7:00 minutos
En los modelos YC-PS204A y YC-PG204A es necesario pulsar el botón AUTO MENU hasta que aparezca el programa.	Microondas: 100 %	50 g: 2:00 minutos 100 g: 3:30 minutos 150 g: 5:30 minutos	50 g: 2:00 minutos 100 g: 3:30 minutos 150 g: 5:30 minutos	50 g: 2:00 minutos 100 g: 3:30 minutos 150 g: 5:30 minutos	50 g: 2:00 minutos 100 g: 3:30 minutos 150 g: 5:30 minutos
En el modelo YC-PS204A, es necesario pulsar el botón AUTO MENU hasta que aparezca el programa.	Microondas solo al 100 %	200 g: 2:00 minutos 300 g: 2:40 minutos 400 g: 3:20 minutos 500 g: 4:00 minutos 600 g: 4:40 minutos 700 g: 5:20 minutos 800 g: 6:00 minutos	200 g: 1:30 minutos 300 g: 2:00 minutos 400 g: 2:30 minutos 500 g: 3:00 minutos 600 g: 3:30 minutos 700 g: 4:00 minutos 800 g: 4:30 minutos	200 g: 2:00 minutos 300 g: 2:40 minutos 400 g: 3:20 minutos 500 g: 4:00 minutos 600 g: 4:40 minutos 700 g: 5:20 minutos 800 g: 6:00 minutos	200 g: 1:30 minutos 300 g: 2:00 minutos 400 g: 2:30 minutos 500 g: 3:00 minutos 600 g: 3:30 minutos 700 g: 4:00 minutos 800 g: 4:30 minutos
En el modelo YC-PS204A, es necesario pulsar el botón AUTO MENU hasta que aparezca el programa.	El microondas funciona al 100 % durante 10 segundos y luego el grill se enciende durante 23 segundos. Este ciclo se repite hasta que finalice el tiempo de cocción. El microondas y el grill nunca se encienden al mismo tiempo.	N/A	N/A	200 g: 15:00 minutos 300 g: 18:00 minutos 400 g: 21:00 minutos 500 g: 24:00 minutos 600 g: 27:00 minutos	200 g: 15:00 minutos 300 g: 18:00 minutos 400 g: 21:00 minutos 500 g: 24:00 minutos 600 g: 27:00 minutos
En el modelo YC-PS204A, es necesario pulsar el botón AUTO MENU hasta que aparezca el programa.	El microondas funciona al 100 % durante 10 segundos y luego el grill se enciende durante 23 segundos. Este ciclo se repite hasta que finalice el tiempo de cocción. El microondas y el grill nunca se encienden al mismo tiempo.	N/A	N/A	200 g: 15:00 minutos 300 g: 18:00 minutos 400 g: 21:00 minutos 500 g: 24:00 minutos 600 g: 27:00 minutos	200 g: 15:00 minutos 300 g: 18:00 minutos 400 g: 21:00 minutos 500 g: 24:00 minutos 600 g: 27:00 minutos
En el modelo YC-PS204A, es necesario pulsar el botón AUTO MENU hasta que aparezca el programa.	El microondas funciona al 100 % durante 10 segundos y luego el grill se enciende durante 23 segundos. Este ciclo se repite hasta que finalice el tiempo de cocción. El microondas y el grill nunca se encienden al mismo tiempo.	N/A	N/A	100 g: 12:00 minutos 200 g: 15:00 minutos 300 g: 18:00 minutos 400 g: 21:00 minutos 500 g: 24:00 minutos	100 g: 12:00 minutos 200 g: 15:00 minutos 300 g: 18:00 minutos 400 g: 21:00 minutos 500 g: 24:00 minutos

DESCONGELAR AUTOMÁTICAMENTE

La función de descongelación automática le permite descongelar los alimentos en función del peso. El tiempo de descongelación y el nivel de potencia se establecen automáticamente una vez que se programan la categoría de los alimentos. El peso de los alimentos congelados varía de 100 a 1800 g.

1. En el modo en espera, pulse el botón **AUTO DEFROST**.
2. Gire el **MANDO CIRCULAR** para seleccionar el peso de los alimentos que desea descongelar.
3. Pulse el botón **START/QUICK START** para iniciar el ciclo de descongelación.
4. Si el horno se detienen durante el ciclo de descongelación, dé la vuelta a los alimentos para asegurarse de descongelarlos de forma uniforme y pulse **START/QUICK START** para descongelar el tiempo restante.
5. Cuando se complete el ciclo de descongelación, la pantalla mostrará «**End**» (Final) y el tono se oír cada dos minutos hasta que se pulse un botón o la puerta se abra.

Descongelación automática - Funcionamiento

Modelo	Rango de peso	Rango de tiempo de descongelación	Operación de descongelación	Método
YC-PG204A	De 100 al 1800 g	De 5,5 a 39,5 minutos	Microondas al 40 % durante 1/3 del tiempo, luego 20 % durante 1/3 de tiempo siguiente. Indicación de dar la vuelta. Una vez dada la vuelta, se descongelará al 20 % de potencia durante el tiempo restante.	<ol style="list-style-type: none"> 1. Coloque los alimentos congelados en una fuente apta para microondas, y cúbralos con film transparente; perfore agujeros en el plástico. 2. Coloque el plato en el centro del plato giratorio de cristal del microondas. 3. Cierre la puerta y pulse el botón AUTO DEFROST y seleccione el peso con ayuda del MANDO GIRATORIO. 4. Pulse la tecla INICIO/INICIO RÁPIDO para empezar a descongelar. 5. A mitad del ciclo de descongelación el horno se detendrá y solicitará que dé la vuelta a los alimentos. 6. Abra la puerta y dé la vuelta o reorganice los alimentos. Cierre la puerta. 7. Pulse la tecla INICIO/INICIO RÁPIDO para empezar a descongelar. 8. Cuando el temporizador se detenga, retire los alimentos del horno. Compruebe que los alimentos están bien descongelados.
YC-PG204A	De 100 al 1800 g	De 5 a 39 minutos	Microondas al 20 % durante la mitad del tiempo. 20 % de potencia durante el tiempo restante.	
YC-PS234A y YC-PG234A	De 100 al 1800 g	De 5,5 a 39,5 minutos	Microondas al 30 % durante 1/3 del tiempo, luego 20 % durante 1/3 de tiempo siguiente. Indicación de dar la vuelta. Una vez dada la vuelta, se descongelará al 20 % de potencia durante el tiempo restante.	
YC-PS254A, YC-PG254A y YC-PG284A	De 100 al 1800 g	De 3 a 37 minutos	Microondas al 30 % durante 1/3 del tiempo, luego 20 % durante 1/3 de tiempo siguiente. Indicación de dar la vuelta. Una vez dada la vuelta, se descongelará al 20 % de potencia durante el tiempo restante.	

RECALENTAR AUTOMÁTICAMENTE*

El horno le permite recalentar los alimentos en función del peso introducido por el usuario. El tiempo de recalentamiento y el nivel de potencia se establecen automáticamente una vez que se programan la categoría de los alimentos. El peso para recalentar varía de 100 a 800 g.

1. En el modo espera, pulse el botón **RECALENTAR AUTOMÁTICAMENTE**.
2. Gire el **MANDO CIRCULAR** para seleccionar el peso de los alimentos que desea recalentar.
3. Pulse el botón **START/QUICK START**.
4. Cuando se complete el ciclo de preparación de alimentos, la pantalla mostrará «**End**» (Final) y se oír un tono cada dos minutos hasta que se pulse un botón o la puerta se abra.

* - Solo para modelos con grill.

TEMPORIZADOR DE COCINA

El horno incorpora un temporizador de cocina que cuenta hacia atrás a partir del tiempo establecido.

1. En el modo en espera, pulse una vez el botón **TIME/SET CLOCK**.
2. Gire el botón **MANDO CIRCULAR** para establecer el tiempo de deseado. El tiempo máximo es 95 minutos.
3. Pulse el botón **START/QUICK START** para confirmar.
4. Aparecerá la cuenta atrás en la pantalla durante el tiempo de cocción establecido.
5. Cuando la pantalla llegue a cero, se oirá un tono.

También se puede utilizar el temporizador de cocina durante el modo de preparación de alimentos. Para ello, siga los pasos indicados anteriormente mientras se preparan los alimentos. Una vez activado el temporizador de cocina, este aparecerá en la pantalla durante cinco segundos y luego revertirá al contador de cuenta atrás durante el ciclo de preparación de alimentos. Para ver el temporizador, pulse el botón **TIME/SET CLOCK** una vez y el temporizador de cocina aparecerá durante cinco segundos, después de lo cual revertirá a la cuenta atrás de preparación de los alimentos.

- Para cancelar el programa del **temporizador**, pulse el botón **STOP/ECO** y la pantalla mostrar el tiempo.
- Si el ciclo de preparación de alimentos se ha iniciado, es posible iniciar el temporizador de cocina siguiendo los pasos indicados arriba.

FUNCIÓN DE AHORRO DE ENERGÍA

Esta función permite ahorrar energía mientras el horno no se está utilizando. Para activar esta función en estado en espera, mantenga pulsado el botón **STOP/ECO** durante tres segundos; la pantalla se apagará y el horno entrará en modo de ahorro de energía.

Para cancelar el modo de ahorro de energía, pulse cualquier botón o abra y cierre la puerta del horno.

FUNCIÓN DE SILENCIO

Es posible silenciar los tonos del microondas mediante la función de silencio. Para establecer la función de silencio, pulse el botón **CHILD LOCK** una vez que el botón muestre «**OFF**» durante cinco segundos. En el modo de silencio, no se escuchará ningún sonido cuando se pulsen los botones.

Para desactivar la función de silencio, presione el botón **CHILD LOCK** una vez, la pantalla mostrará «**on**» durante 5 segundos para indicar que el sonido se ha vuelto a activar.

Si se establece la función y el horno se desconecta de la corriente, se cancelará cuando se vuelva a reconectar la alimentación.

BLOQUEO DE SEGURIDAD

Esta es una función automática para evitar el uso del horno sin supervisión por niños. En el modo en espera, si no se realiza ninguna operación en el transcurso de un minuto, el horno entrará en modo de bloqueo de seguridad y en la pantalla aparecerá «**Loc**». En estado de bloqueo, se desactivan todos los botones. Si se pulsa un botón cualquiera, aparecerá la indicación de bloqueo en la pantalla durante cinco segundos para recordar al usuario que cancele el bloqueo de seguridad.

Para desactivar el bloqueo de seguridad, simplemente abra y cierre la puerta del microondas; el teclado numérico se volverá a activar y el indicador luminoso del bloqueo se apagará.

BLOQUEO PARA NIÑOS

Para establecer la función de bloqueo para niños, mantenga pulsado el botón **CHILD LOCK** durante tres segundos.

Se oirá un pitido largo, la pantalla mostrará «**Loc**» y el horno pasará a modo de bloqueo para niños. En este modo, la pantalla mostrará el reloj. Si se pulsa algún botón o se abre la puerta se mostrará «**Loc**» en la pantalla durante cinco segundos.

Para cancelar la función de bloqueo para niños, mantenga pulsado el botón **CHILD LOCK** durante tres segundos hasta que suene un pitido largo.

LIMPIEZA Y MANTENIMIENTO

- Apague el horno y desconecte el cable de la toma de corriente cuando vaya a limpiarlo.
- Mantenga limpia la parte interior del horno. Limpie con un paño húmedo las paredes del horno si se producen salpicaduras o se derraman líquidos de alimentos en los lados, la parte superior o la parte inferior. Se pueden utilizar detergentes suaves si el horno se ensucia mucho. Evite utilizar limpiadores abrasivos o aerosoles, pues podrían dejar manchas, rayar o deslustrar la superficie de la puerta.
- La parte exterior del horno debe limpiarse con un paño húmedo. Para evitar dañar los componentes internos del horno, no debe filtrarse agua a través de las aperturas de ventilación.
- Limpie frecuentemente la puerta y la ventana en ambos lados, las juntas de la puerta y las partes adyacentes con un paño húmedo para eliminar derramamientos y salpicaduras.
- No utilice un limpiador abrasivo.
- No limpie al vapor.
- No permita que el panel de control se humedezca. Limpie con un paño suave y húmedo. Cuando limpie el panel de control, deje abierta la puerta para evitar que el horno se encienda accidentalmente.
- Si se acumula calor dentro o alrededor de la puerta del horno, límpielo con un paño suave. Esto puede ocurrir si el horno es utilizado en entornos de alta humedad. No se trata de un fallo.
- Se debe limpiar con regularidad el plato giratorio, el soporte del plato giratorio y los acoplamientos para evitar contaminación y posible daños o arcos voltaicos.
- Elimine los olores del horno mezclando una taza de agua con el zumo y la piel de un limón en un cuenco adecuado para microondas. Caliente durante cinco minutos. A continuación, limpie y seque bien con un paño suave.
- Si la bombilla deja de brillar, póngase en contacto con el servicio técnico para recabar consejo.
- El horno debe limpiarse de manera regular y se deben eliminar todos los depósitos de alimentos. No mantener el horno limpio podría dar lugar a un deterioro de la superficie, y podría afectar negativamente a la vida útil del aparato y originar situaciones de peligro.
- No elimine este aparato con la basura doméstica; consulte las normas de eliminación para este tipo de productos aplicables en su país.

UTENSILIOS ADECUADOS PARA EL HORNO

1. El material ideal para los utensilios del microondas es transparente a las microondas, pues permite que la energía traspase el contenedor y caliente el alimento.
2. Las microondas no pueden atravesar el metal, por lo que no deben utilizarse utensilios de metal ni platos con acabado de metal.
3. No utilice productos de papel reciclado al cocinar con microondas, ya que pueden contener pequeños fragmentos de metal que podrían causar chispas o un incendio.
4. Se recomienda el uso de platos redondos u ovalados en lugar de cuadrados o alargados, ya que los alimentos de las esquinas tienden a cocerse en exceso.
5. Se pueden utilizar láminas de aluminio en tiras para evitar la cocción excesiva de áreas expuestas. Pero tenga cuidado de utilizar demasiadas y de mantener una distancia de 2,54 cm entre el aluminio y la cavidad.

La siguiente lista es una guía general para ayudarle a seleccionar los utensilios correctos.

Utensilios de cocina	Microondas Seguro	Grill	Comentario
Platos para dorar	✓ / ✗	✗	Siga siempre las instrucciones del fabricante. No exceda los tiempos de calentamiento que se indican. Tenga mucho cuidado ya que estos platos se calientan mucho.
Porcelana y cerámica	✓ / ✗	✗	Los utensilios de porcelana, cerámica, loza de barro esmaltada y porcelana fina son generalmente adecuados, a excepción de aquellas con decoración metálica.
Cristal resistente al calor	✓	✓	Asegúrese de utilizar cristalería adecuada para hornos microondas.
Cristal no resistente al calor	✗	✗	
Cerámicas no resistentes al calor	✓	✓	Asegúrese de que el material cerámico no es demasiado grueso o que incorpore un alto contenido mineral.
Plato de plástico seguro para su uso en microondas	✓	✗	Asegúrese siempre de que los utensilios de cocina de plástico son adecuados para horno microondas.
Papel de cocina	✓ / ✗	✗	Utilice solo papel de cocina recomendado para microondas.
Cristalería, por ejemplo, Pyrex®	✓ / ✗	✓	Se debe tener cuidado si se utiliza cristalería fina, ya que puede romperse o agrietarse si se calienta bruscamente.
Bandeja de metal	✗	✓	No se recomienda usar utensilios de metal, ya que crearían un arco eléctrico y provocar un incendio.
Parrilla metálica	✗	✓	No se recomienda usar utensilios de metal, ya que crearían un arco eléctrico y provocar un incendio.
Papel de aluminio Los recipientes de aluminio	✓ / ✗	✓	Se pueden utilizar trozos pequeños de papel de aluminio para proteger los alimentos contra el sobrecalentamiento. Mantenga el papel al menos a 2,54 cm de distancia de las paredes del horno, ya que puede producirse arco eléctrico. Los recipientes de aluminio no son recomendables a menos que los especifique el fabricante, por ejemplo, Microfoil®, siga las instrucciones cuidadosamente.
Film transparente	✓	✗	No se deben tocar los alimentos y deben perforarse para permitir dejar salir el vapor.
Plástico/poliestireno, por ejemplo recipientes de comida rápida	✓	✗	Se debe tener cuidado con algunos recipientes, ya que pueden deformarse, derretirse o descolorarse con las altas temperaturas.
Bolsas para congelar/asar	✓	✗	Se deben perforar para dejar salir el vapor. Asegúrese de que las bolsas son adecuadas para su uso en microondas.
Platos de papel, tazas y papel de cocina	✓	✗	No utilice ataduras de plástico o metal, ya que pueden derretirse o incendiarse debido al 'arco eléctrico'.
Recipientes de madera y paja	✓	✗	Utilizar únicamente para calentar o para absorber la humedad. Se debe tener cuidado, ya que el sobrecalentamiento puede provocar un incendio.
Papel reciclado y periódicos	✗	✗	Vigile siempre el horno cuando se utilizan estos materiales, ya que el sobrecalentamiento puede ocasionar un incendio. Puede contener extractos de metal que pueden causar "arco eléctrico" y puede provocar un incendio.



ADVERTENCIA: Al calentar alimentos en recipientes de papel o plástico, vigile el horno debido a la posibilidad de ignición.

NOTA: No deje el horno sin atender mientras lo usa.

CONSEJOS PARA PREPARAR ALIMENTOS CON EL MICROONDAS

Los microondas preparan los alimentos de manera más rápida que los métodos convencionales de cocina. Por lo tanto, es muy importante seguir determinadas técnicas para garantizar buenos resultados. Muchas de las técnicas siguientes se parecen a las que se usan en los métodos convencionales de cocina.



ADVERTENCIA: Los líquidos y alimentos no deben calentarse en recipientes sellados ni en tarros o recipientes con la tapa puesta, ya que se acumulará presión en el interior, lo que podría provocar la explosión del recipiente o tarro.

NOTAS SOBRE LOS CONSEJOS PARA COCINAR:

- Vigile siempre el horno mientras lo utiliza.
- Asegúrese de que los utensilios sean adecuados para hornos microondas.
- Utilice exclusivamente palomitas para microondas en el envase recomendado (siga las instrucciones del fabricante). Nunca debe utilizar aceite, a menos que el fabricante así lo indique, y nunca debe preparar las palomitas durante más tiempo del recomendado.



ADVERTENCIA: Si supera los tiempos de cocción recomendados y utiliza niveles de potencia demasiado altos, los alimentos se podrían calentar en exceso o quemar, y en situaciones extremas podrían incendiarse y dañar el horno.

Colocar

Coloque las partes más gruesas de los alimentos hacia el exterior del plato, p. ej., los muslos de pollo. Los alimentos que se colocan hacia el exterior del plato reciben más energía y, por lo tanto, se preparan más rápidamente que los alimentos colocados en el centro.

Tapar

Algunos alimentos se preparan mejor en el microondas si se tapan. Utilice film transparente ventilado de adherencia o una tapa adecuada.

Perforar

Los alimentos con cáscara, piel o membrana se deben perforar en varios puntos antes de cocinarlos o recalentarlos, ya que, de lo contrario, se acumularía vapor y podrían explotar. Por ejemplo, de las patatas, el pescado, el pollo y las salchichas.

NOTA: Los huevos no deben calentarse en el microondas porque podrían explotar, incluso después de prepararse, p. ej., huevos escalfados, fritos o duros.

Remover, girar y volver a colocar

Para conseguir una cocción uniforme es muy importante remover, girar y volver a colocar los alimentos durante la cocción. Siempre debe remover y volver a colocar desde el exterior hacia el centro.

Reposo

Deje un período de reposo tras la preparación para permitir que el calor se disperse de manera uniforme a través de todos los alimentos.

Características de los alimentos	
Composición	Los alimentos con un contenido alto en grasa o azúcares (p. ej., púdinges o pasteles rellenos) requieren menos tiempo para calentarse. Se debe tener cuidado con ellos, ya que el sobrecalentamiento puede provocar un incendio. Los huesos de los alimentos son conductores de calor y hacen que los alimentos se cocinen más rápidamente. Se debe tener cuidado para que los alimentos se cocinen de manera uniforme.
Densidad	La densidad de los alimentos influye en el tiempo de cocción necesario. Los alimentos ligeros o porosos, como los bizcochos o el pan, se cuecen más rápidamente que los alimentos pesados y densos, como los asados de carne y los guisos.
Cantidad	El número de microondas del horno es el mismo, sea cual sea la cantidad de alimentos que se esté preparando. Se debe aumentar el tiempo de cocción a medida que aumente la cantidad de alimentos; por ejemplo, cuatro patatas tardan más tiempo en cocinarse que dos.
Tamaño	Los alimentos y los trozos pequeños se preparan más rápidamente que los grandes, ya que las microondas pueden penetrar desde todos los lados hacia el centro. Para conseguir una cocción uniforme, prepare todos los alimentos con el mismo tamaño.
Forma	Los alimentos de forma irregular, como las pechugas o los muslos de pollo, tardan más tiempo en prepararse en las partes más gruesas. Para conseguir una cocción uniforme, coloque las partes más gruesas en el exterior del plato, donde recibirán más energía. Las formas redondas se preparan en el microondas de manera más uniforme que las cuadradas.
Temperatura de los alimentos	La temperatura inicial de los alimentos influye en el tiempo de cocción necesario. Los alimentos fríos tardan más tiempo en cocinarse que los alimentos a temperatura ambiente; La temperatura del recipiente no es un parámetro fiable de la temperatura del alimento o la bebida. Haga cortes en los alimentos rellenos, por ejemplo, un donut relleno de mermelada, para liberar el calor o el vapor.



ADVERTENCIA: Rostro y manos: utilice siempre guantes de horno para retirar los alimentos o recipientes del horno. Apártese al abrir la puerta del horno para que se disperse el calor o vapor. Al quitar un recubrimiento (por ejemplo, film transparente) o al abrir bolsas de asado o envases de palomitas, aparte el rostro y las manos de la dirección del vapor.



ADVERTENCIA: Compruebe la temperatura de los alimentos y las bebidas, y remueva antes de servir. Tenga mucho cuidado con los alimentos para bebés, niños o personas mayores. Debe remover o agitar el contenido de los biberones y los tarros de comida para bebés, y debe comprobar la temperatura de los alimentos antes de consumirlos, para evitar quemaduras.

CONSEJOS PARA DESCONGELAR

Usar el microondas es el método para descongelar más rápido. Es un proceso sencillo, pero es muy importante que siga las instrucciones que se indican a continuación para garantizar que los alimentos se descongelen bien.

- Retire todos los envases y envoltorios antes de descongelar.
- Para descongelar alimentos, utilice los niveles de potencia del microondas P-20 o P-40.
- Consulte a continuación para obtener más información.

Recolocar

Los alimentos colocados hacia el exterior del plato se descongelan más rápidamente que los alimentos dispuestos en el centro. Por lo tanto, es muy importante recolocar los alimentos hasta cuatro veces durante el descongelado.

Mueva los trozos que estén muy encajados desde el exterior hacia el centro, y recoloque las partes que se solapan.

De esta manera, todas las partes de los alimentos se descongelarán de manera uniforme.

Separar

Los alimentos pueden quedarse pegados al sacarlos del congelador. Es importante separar los alimentos lo antes posible durante el descongelado,

p. ej., tiras de beicon o filetes de pollo.

Cubrir

Algunas partes de los alimentos que se estén descongelando pueden calentarse. Para evitar que se calienten

demasiado y empiecen a cocerse, se pueden cubrir con papel de aluminio, que reflejan las microondas; p. ej., las patas y las alas de pollo.

Reposo

Es necesario un tiempo de reposo para garantizar que los alimentos se descongelen bien.

La descongelación no finaliza una vez que se retiran los alimentos del horno microondas. Los alimentos deben permanecer, tapados, durante un tiempo para garantizar que el centro se descongele completamente.

Girar

Es muy importante girar todos los alimentos al menos cuatro veces durante el proceso de descongelación.

Esto es importante para garantizar una descongelación adecuada.

CONSEJOS PARA RECALENTAR

Para recalentar alimentos, siga las instrucciones y recomendaciones que se indican a continuación, a fin de garantizar que los alimentos se calientan bien antes de servirlos.

Platos de comida

Retire cualquier pieza de ave o carne roja, y caliente esas piezas por separado (véase más abajo).

Coloque los trozos más pequeños en el centro del plato y los trozos más grandes y gruesos en el borde. Cubra los alimentos con film transparente ventilado para microondas y recalíentelos a nivel P-50. Remueva o recolóque los alimentos cuando haya transcurrido la mitad del tiempo.

NOTA: Asegúrese de que los alimentos se hayan calentado bien antes de servirlos.

Carne en lonchas

Tape la carne con film transparente ventilado para microondas y caliente a nivel P-60. Recoloque la carne al menos una vez para garantizar que se caliente de manera uniforme.

NOTA: Asegúrese de que la carne se haya calentado bien antes de servirla.

Porciones de ave

Coloque las partes más gruesas de las porciones en el exterior del plato, cúbralas con film transparente ventilado para microondas y caliente a nivel P-70.

Dé la vuelta hacia la mitad del proceso de calentamiento.

NOTA: Asegúrese de que la carne de ave se haya calentado bien antes de servirla.

Guisos

Cubra con film transparente ventilado para microondas o con una tapa adecuada y caliente a nivel P-50.

Remueva con frecuencia para garantizar que los alimentos se calienten de manera uniforme.

NOTA: Asegúrese de que los alimentos se hayan calentado bien antes de servirlos.

Para conseguir los mejores resultados al recalentar, seleccione un nivel de potencia de microondas adecuado para el tipo de alimento. Por ejemplo, un plato de verduras se puede calentar a nivel P-100, mientras que una lasaña, que contiene ingredientes que no se pueden remover, se debe calentar a nivel P-40.

NOTAS:

- Antes de recalentar los alimentos, sáquelos de los recipientes metálicos o del papel de aluminio.
- En el tiempo de recalentamiento influyen la forma, la profundidad, la cantidad y la temperatura de los alimentos, así como el tamaño, la forma y el material del recipiente.



ADVERTENCIA: No caliente nunca líquidos en recipientes de boca estrecha, ya que el contenido podría salir a chorros del recipiente y causar quemaduras.

- Para evitar que los alimentos se calienten demasiado y que se produzcan incendios, se debe prestar especial atención al preparar o recalentar alimentos con un contenido alto de azúcar o grasa, por pasteles rellenos o púdines.
- Nunca debe calentar aceite o grasa para freír, ya que se podrían producir un calentamiento excesivo y fuego.
- Las patatas en conserva no se deben calentar en un horno microondas; siga las instrucciones del envase.



ADVERTENCIA: El contenido de biberones y tarros de comida para bebés se debe remover o agitar, y se debe comprobar la temperatura de los alimentos antes de consumirlos a fin de evitar quemaduras.

RESOLUCIÓN DE PROBLEMAS

Si cree que el horno no funciona correctamente, puede llevar a cabo una sencillas comprobaciones antes de llamar a un técnico. De esta forma, puede evitar llamadas innecesarias al servicio, en caso de que el fallo se deba a algo sencillo.

Siga estas sencillas comprobaciones:

Coloque una taza de agua en el plato giratorio y cierre la puerta. Establezca el temporizador para funcionar durante 1 minuto a potencia P-100 del microondas.

1. ¿Se enciende la lámpara del horno cuando el agua cuece?
2. ¿Funciona el ventilador de refrigeración? (Compruébelo colocando la mano sobre las salidas de ventilación).
3. Transcurrido un minuto, ¿suena la señal acústica?
4. ¿Está caliente el agua de la taza?

Si la respuesta a alguna de estas preguntas es negativa, compruebe primero que el horno está enchufado correctamente y que el fusible no se ha fundido. Si el cable está bien enchufado y el fusible no se ha fundido, consulte la tabla de resolución de problemas siguiente.



ADVERTENCIA: Nunca ajuste, repare o modifique el horno por su cuenta. Para cualquier persona que no tenga los conocimientos adecuados, es peligroso llevar a cabo operaciones de mantenimiento o reparación. Esto es importante, ya que puede requerir la retirada de cubiertas que proporcionan protección contra la energía de microondas.

- La junta de la puerta evita que se filtren líquidos del microondas durante el funcionamiento del horno, pero no ofrece un sellado hermético. Es normal observar gotas de agua, luz o sentir aire caliente alrededor de la puerta del horno. Los alimentos con un alto contenido de humedad despedirán vapor o generarán condensación dentro de la puerta, lo que puede formar gotas fuera del horno.
- Reparaciones y modificaciones: no intente utilizar el microondas si no funciona correctamente.
- Carcasa exterior y acceso a la lámpara: no retire nunca la carcasa exterior. Esto es muy peligroso debido a las piezas de alta tensión internas que no deben tocarse nunca, porque su contacto podría causar la muerte. El horno no integra una cubierta de acceso a la lámpara. Si la lámpara falla, no intente sustituirla. Llame al servicio técnico homologado de SHARP.

TABLA DE RESOLUCIÓN DE PROBLEMAS

CONSULTA	RESPUESTA
Corrientes de aire alrededor de la puerta.	Cuando el horno está en funcionamiento, el aire circula alrededor de la cavidad. La puerta no está sellada herméticamente, por lo que el aire puede escaparse.
En el horno se forma condensación y puede dar lugar a la formación de gotas en la puerta.	Por lo general, la cavidad del horno estará más fría que los alimentos cocinados; por lo tanto, el vapor generado al preparar alimentos se condensará en la superficie más fría. La cantidad de vapor generado depende del contenido en agua del alimento preparado. Algunos alimentos, como las patatas, tienen un gran contenido en humedad. La condensación atrapada en el cristal de la puerta se disipará en unas horas.
Se observan destellos y arcos voltaicos en la cavidad al preparar los alimentos.	Se producen arcos voltaicos cuando un objeto metálico se sitúa cerca de la cavidad del horno durante la cocción. Esto puede causar abrasión de la superficie de la cavidad, pero no producirá ningún daño al horno.
Asar patatas.	Retire todas las raíces de las patatas, pichelas y colóquelas directamente sobre la bandeja o en un recipiente plano resistente al calor o similar.
Cuando se utiliza el horno en el modo de solo grill, se puede observar que la resistencia no parece estar encendida todo el tiempo.	Esto se debe a que el elemento del grill se enciende y apaga para mantener la temperatura del horno a un nivel preestablecido.
Cuando se utiliza el grill en el modo combinado, no parece estar encendido.	Durante el modo de cocción combinada (microondas y grill), el horno alternará entre las dos funciones. Las funciones de microondas y grill no se encenderán al mismo tiempo.
El horno no funciona cuando se pulsa el botón START/ QUICK START.	Asegúrese de que la puerta está correctamente cerrada.
El horno prepara los alimentos demasiado despacio.	Asegúrese de que corregir el nivel de potencia seleccionado.
El horno hace ruido.	Al encender y apagar el microondas puede oírse un zumbido, lo cual es normal.
Después de la cocción, el horno hace ruido o parece que sigue funcionando.	Al final del ciclo de cocción, el ventilador puede permanecer encendido durante varios minutos para enfriar el horno. Esto es normal.
La carcasa exterior está caliente.	La carcasa exterior puede calentarse al tacto. Mantenga a los niños a los niños lejos.
Aparecerá "LoC" en la pantalla cuando se pulsa un botón.	Transcurridos 30 segundos, el horno entrará en el modo de bloqueo en el que ninguno de los botones funciona. Abra y cierre la puerta, y los botones volverán a funcionar. Compruebe también que la unidad no está en modo de bloqueo.
Se mostrará "Fail" en la pantalla y se oirá un pitido del horno cada minuto.	Esto ocurrirá si se pulsan los botones del panel de control de forma continuada durante más de un minuto. Desenchufe el horno de la red eléctrica durante unos minutos y vuelva a enchufarlo.
El horno emite un pitido cada 30 segundos.	Una vez finalizada la cocción y sin abrir la puerta, se oirá un pitido cada 30 segundos. Para detenerlo, abra y cierre la puerta.

ANTES DE LLAMAR AL SERVICIO TÉCNICO

Antes de solicitar asistencia, consulte los siguientes elementos:

- Asegúrese de que el horno está correctamente enchufado a la corriente. Si no es así, retire el enchufe, espere 10 segundos, y vuelva a enchufarlo bien.
- Compruebe si hay algún fusible fundido o si saltó un disyuntor de corriente. Si estos elementos parecen no presentar problemas, pruebe la toma con otro aparato.
- Asegúrese de que los mandos de potencia y del temporizador están correctamente establecidos.
- Asegúrese de que la puerta está bien cerrada con el sistema de bloqueo activado. De lo contrario, la energía del microondas no fluirá en el horno.

SI NO SE SOLUCIONA LA SITUACIÓN CON NINGUNA DE LAS ACCIONES ANTERIORES, PÓNGASE EN CONTACTO CON UN TÉCNICO CERFICADO. NO INTENTE AJUSTAR NI REPARAR EL HORNO PERSONALMENTE.



Tähelepanu:

Teie toode on tähistatud selle sümboliga. See tähendab, et kasutatud elektri- ja elektronseadmeid ei tohiks ära visata koos tavaliste olmejäätmetega. Nende toodete jaoks on eraldi kogumissüsteem.



www.sharpconsumer.com/contact/



www.sharpconsumer.com/support/



www.sharpconsumer.com/documents-of-conformity/

A. Kasutajainfo seadmete utiliseerimise kohta (eramajapidamistele)

1. Euroopa Liidus

Tähelepanu! Kui soovite seadmest vabaneda, ärge visake seda tavalisse prügikasti!

Kasutatud elektri- ja elektronseadmeid tuleb käidelda eraldi ja vastavalt õigusaktidele, mis nõuavad elektri- ja elektronseadmete õiget käitlust, taaskasutust ja ringlussevõttu.

EL riikides asuvad majapidamised viia oma kasutatud elektrilised ja elektroonilised seadmed tasuta selleks ette nähtud kogumispunktidest*. Osades riikides* võib ka kohalik edasimüüja teie vana toote tasuta vastu võtta juhul, kui te ostate temalt uue samasuguse seadme.

*) Palun võtke täpsustamiseks ühendust oma kohaliku asutusega.

Kui teie kasutatud elektri- või elektronseadmel on patareid või akud, palun vabanega neist eelnevalt vastavalt kohalikele nõuetele. Selle toote korrektse kõrvaldamisega aitate tagada jäätmete nõuetekohase käitluse, taaskasutuse ja ringlussevõtu ning seega vältida võimalikke kahjulikke mõjusid keskkonnale ja inimeste tervisele, mida jäätmete vale käitlus vastasel juhul kaasa võiks tuua.

2. Muudes riikides väljaspool ELi

Kui soovite sellest tootest vabaneda, võtke palun ühendust kohalike asutustega ja selgitage välja õige kõrvaldamisviis.

Šveits: kasutatud elektri- ja elektroonikaseadmete romud saab tagastada müüjale tasuta isegi juhul, kui te uut ei osta.

Täiendavate jäätmekogumispunktide andmed on ära toodud järgmistel kodulehekülgedel: www.swico.ch või www.sens.ch.

B. Info seadmete utiliseerimise kohta äriklientidele.

1. Euroopa Liidus

Kui toodet kasutatakse äriistel eesmärkidel ja te soovite sellest vabaneda: Palun võtke ühendust SHARP-i toodete vahendajaga, kes teavitab teid toote tagastamisvõimalustest. Võimalik, et teil tuleb tasuta toote tagastamise ja ringlussevõttuga kaasnevad kulud. Väikesemõdulisi tooteid (ja väikeses koguses) võidakse vastu võtta ka teie kohalikus kogumispunktis.

Hispaania puhul: võtke palun oma kasutatud toodete tagasi võtmiseks ühendust oma olemasoleva kogumissüsteemi või kohaliku omavalitsusega.

2. Muudes riikides väljaspool ELi

Kui soovite sellest tootest vabaneda, võtke palun ühendust kohalike asutustega ja selgitage välja õige kõrvaldamisviis.

ETTEVAATUSABINÕUD MIKROLAINENERGIAGA VÕIMALIKU KOKKUPUUTUMISE VÄLTIMISEKS

1. Ärge üritage käitada ahju, kui seadme uks on avatud, kuna see võib tuua kaasa kahjuliku kokkupuutumise mikrolaineenergiaga. Ärge rikkuge ega muutke seadme blokeerimissüsteeme
2. Ärge sisestage midagi ahju esipinna ja ukse vahele ega laske prahil või puhastusvahendijääkidel tihendipindadele koguneda.
3. Ärge käitage ahju, kui see on kahjustatud. Väga oluline on, et ahju uks sulguks korralikult ja uks, hinged, lukustus, tihendid ja tihenduspinna ei oleks kahjustatud.
4. Ärge proovige ahju ise remontida või reguleerida.

SISUKORD

OLULISED OHUTUSJUHISED	3
PAIGALDAMINE	11
RAADIO SEGAMINE	12
MAANDUSJUHISED	12
TEHNILISED ANDMED	12
AHI JA TARVIKUD	13
JUHTPANEEL	14
ENNE AHJU KASUTAMIST	15
KELLA SEADISTAMINE	15
MIKROLAINETEGA TOIDUVALMISTAMINE	16
KIIRSTART	17
GRILLIGA KÜPSETAMINE*	17
MIKROLAINED + GRILL*	18
AUTOMAATMENÜÜ	19
AUTOMAATNE SULATAMINE	22
AUTOMAATNE TAASKUUMUTAMINE*	22
KÖÖGITAIMER	23
ELEKTRIENERGIA SÄÄSTMISE FUNKTSIOON	23
VAIGISTAMISFUNKTSIOON	24
TURVALUKK	24
LAPSELUKK	24
PUHASTAMINE JA HOOLDAMINE	25
SOBIVAD AHJUNÕUD	26
NÕUANDED MIKROLAINETEGA TOIDUVALMISTAMISEKS	27
NÕUANDED SULATAMISEKS	29
NÕUANDED SOOJENDAMISEKS	30
TÖRKETUVASTUS	31
ENNE ABI SAAMISEKS HELISTAMIST	33

* - Ainult grilliga mudelite puhul.

OLULISED OHUTUSJUHISED

LUGEGE HOOLIKALT LÄBI JA HOIDKE TULEVASEKS UUESTI LÄBIVAATAMISEKS ALLES

Süttimisohu vältimine. Mikrolaineahju ei tohi jätta selle töötamise ajaks järelvalveta. Liiga kõrged võimsustasemed või liiga pikad valmistamisajad võivad toidu üle kuumutada, mis oma korda võib viia süttimiseni.

Antud ahi on mõeldud kasutamiseks ainult köögi tööpinna peal. Seade ei ole mõeldud köögimööblisse sisse integreerimiseks. Ärge asetage seadet kapi sisse. Pistikupesa peab alati olema kergesti kättesaadav, et seadet oleks hädaolukorras võimalik lihtsalt vooluvõrgust lahti ühendada.

Vahelduvvooluvarustus peab olema 230–240 V, 50 Hz, vähemalt 10 A vooluringi kaitsme või vähemalt 10 A vooluringi ahlakatkestajaga. Tuleb luua ainult seda seadet teenindav eraldi vooluring.

Ärge asetage ahju kohtadesse, kus tekitatakse kuumust. Näiteks, tavalise ahju läheduses. Ärge paigaldage ahju kõrge õhuniiskusega piirkondadesse või kohtadesse, kus võib koguneda kondensaati. Ärge paigaldage ahju õue.

Suitsu täheldamisel lülitage ahi välja või eraldage vooluvõrgust ning hoidke ahju üks leekide summutamiseks suletud.

Kasutage ainult mikrolaineahjus kasutamiseks sobivaid anumaid ja nõusid. Nõud tuleb üle kontrollida veendumaks nende sobilikkuses mikrolaineahjus kasutamiseks. Toidu kuumutamisel plastik- või paberpakendis tuleb nende võimaliku süttimisohu tõttu ahjul valmistamise käigus silm peal hoida.

Puhastage lainejuhi kate ja ahju õõnsus. Need peavad olema kuivad ja rasvast puhtad. Kogunenud rasv võib üle

kuumeneda ning hakata suitsema või süttida põlema.

Ärge pange kergesti süttivaid materjale ahju või ventilatsioonivahendite lähedusse. Ärge katke ventilatsioonivahendeid kinni.

Eemaldage toidult ja toidupakenditelt kõik metallist ja traadist kinnitused jms. Metallpindadel tekkiv kaarlekk võib põhjustada süttimise.

Ärge kasutage mikrolaineahju fritüürimise jaoks õli kuumutamiseks. Temperatuuri ei ole võimalik kontrollida ning õli võib süttida põlema.

Kasutage popkorni valmistamiseks ainult spetsiaalseid mikrolaine popkornivalmistajaid.

Ärge kasutage ahju sisemust toidu või muude esemete hoidmiseks.

Kontrollige ahju käivitamise järel üle selle seadistused ja veenduge, et ahi töötab nii nagu soovitud.

Ärge jätke töötavat ahju järelvalveta.

Ülekuumenemise ja süttimise vältimiseks tuleb suure suhkru- ja rasvasisaldusega toitude, näiteks vorstide või kookide, valmistamisel või taaskuumutamisel olla äärmiselt tähelepanelik. Tutvuge kasutusjuhendis vastavate näpunäidetega.

Vigastumisohu vältimine. HOIATUS!

Ärge kasutage ahju, kui see on kahjustatud või selle töös on tõrkeid. Kontrollige enne kasutamist järgmisi punkte:

- a) veenduge, et uks sulgub korralikult ning ei ole kaardus või kõveriti;
- b) kontrollige ja veenduge, et hinged ja ukse turvalukud pole purunenud ega lahti;
- c) veenduge, et uksetihendid ega tihenduspinna ei ole kahjustatud;
- d) veenduge, et ahju sees ega uksele ei ole auke;

e) veenduge, et toitejuhe ega pistik ei ole kahjustatud. Kui uks või uksetihendid on kahjustatud, ei tohi ahju kasutada kuni see on kompetentse isiku poolt ära parandatud.

Ärge mitte kunagi ahju ise reguleerige, parandage ega muutke. Kõikidele teistele, peale asjatundjatest isikute, on igasugused hooldus- ja remonditööd, millised hõlmavad mikrolainete eest kaitset pakkuva katte eemaldamist, ohtlikud.

Ärge kasutage ahju, kui selle uks on avatud ega muutke ahjuukse turvalukke mingilgi moel. Ärge kasutage ahju, kui uksetihendi ja tihenduspinde vahel on mõni ese.

Ärge laske uksetihenditele ja ukse ümber asuvatele pindadele koguneda rasval või mustusel. Puhastage ahju regulaarselt ning eemaldage kõik kogunenud toidujäägid.

Järgige peatükis „Hooldamine ja puhastamine“ toodud juhiseid. Ahju puhtana mitte hoidmine võib viia pindade kahjustumiseni, mis võib omakorda mõjuda negatiivselt seadme elueale ning tuua kaasa ohuolukorra.

Südamestimulaatoriga kasutajad peaksid pidama nõu oma arsti või südamestimulaatori tootjaga võimalike ettevaatusabinõude suhtes seoses mikrolaineahjudega.

Elektrilöögi vältimine

- Mitte mingil juhul ei tohi te eemaldada seadme välisümb-rist.
- Ärge valage ega sisestage mingeid esemeid ukسلuku avadesse või ventilatsioonivadadesse. Kui sinna peaks midagi sattuma, lülitage ahi koheselt välja, tõmmake toitepistik pistikupesast ning võtke ühendust volitatud SHARP-i teenindusagendiga.
- Ärge pange toitepistikut ega -juhet vette või mõnda teise vedelikku.
- Ärge laske toitejuhtmel rippuda üle laua või tööpinna ääre.

-
- Hoidke toitejuhe kuumutatud pindadest, sealhulgas ahju tagaosast, eemal.
 - Hoidke seade ja selle toitejuhe väljaspool nooremate kui 8 aastaste laste käeulatust.
 - Ärge proovige ahju lambipirni ise vahetada ega laske ka teistel, kes ei ole SHARP-i poolt volitatud elektrikud, seda teha. Juhul kui lambipirn läbi põleb, võtke palun ühendust oma edasimüüja või volitatud SHARP-i teenindusagendiga.
 - Kui toitejuhe on kahjustatud, peab selle välja vahetama ametlik SHARP-i teenindusesindaja.

HOIATUS! Vedelikke ning teisi toiduaineid ei tohi kuumutada suletud anumates, kuna need võivad plahvatada. Jookide kuumutamine mikrolainetega võib viia hilisema ootamatu keema puhkemiseni, mistõttu tuleb anumaga ettevaatlikult ümber käia. Plahvatamise ja ootamatu keemaminemise vältimine:

Ärge kasutage suletud nõusid. Eemaldage enne kasutamist kaaned ja sulgurid. Suletud nõud võivad tänu rõhu tõusule plahvatada isegi pärast ahju väljalülitamist. Olge vedelike mikrolainetega töötlemisel ettevaatlikud. Kasutage laia avaga nõusid, et tekkivad mullid takistusteta välja pääseksid.

Ärge kuumutage vedelikke kitsakaelalistes nõudes nagu näiteks lutipudelites, kuna see võib tipneda kuumutamisel sisu anumast välja purskamise ning põletuste tekkimisega.

Keeva vedeliku ootamatu purskamise ning võimaliku põletuse vältimiseks:

1. ärge kuumutage liiga pika aja jooksul;
2. segage vedelikku enne kuumutamist/taaskuumutamist;
3. soovitatav on panna kuumutamise ajal vedeliku klaasist pulk vms (mitte metallist);
4. laske vedelikult kuumutamise järel vähemalt 20 sekundit

ahju seista, et vältida viivitusega keema paiskumist.

Ärge valmistage koorega mune ega kuumutage kõvaks keedetud mune mikrolaineahjus, kuna nad võivad plahvatada isegi peale mikrolaineahju välja lülitamist. Purustamata või segamata munade valmistamiseks või taaskuumutamiseks läbistage munakollased ja -valged. Koorige ja viilutage kõvaks keedetud munad enne nende taaskuumutamist mikrolaineahjus.

Torgake enne valmistamist läbi selliste toiduainete nagu kartulite, vorstide ja puuviljade koored ja nahad või vastasel juhul nad võivad plahvatada.

HOIATUS! Põletuste vältimiseks tuleb lutipudelite ja lastetoidupurkide sisu enne tarbimist segada või loksutada ning temperatuur üle kontrollida. Põletuste vältimiseks kasutage toidu ahjust väljavõtmisel pajalappe või ahjukindaid. Põletuste vältimiseks:

- Avage pakendid, popkornivalmistajad, ahju küpsetuskotid jms. aurupõletuste ja ootamatute keemapuhkemiste vältimiseks oma näost ja kätest eemale suunatult. Põletuste vältimiseks kontrollige alati toidu temperatuuri, segage toitu enne serveerimist ning pöörake erilist tähelepanu just imikutele, lastele ja vanuritele antava toitute ja jookide temperatuurile. Ligipääsetavad detailid võivad kasutamise käigus muutuda kuumaks. Hoidke väikesed lapsed seadmest eemal.
- Anuma temperatuur ei peegelda õigesti toidu või joogi temperatuuri; kontrollige toidu temperatuur alati üle.
- Astuge ahju ukse avamisel alati veidi tagasi vältimaks väljuvast aurust ja kuumusest tekkida võivaid põletusi.
- Põletuste vältimiseks lõigake täidisega küpsetised peale kuumutamist auru välja laskmiseks lahti.
- Hoidke lapsed seadme uksest eemal, et nad põletada ei saaks.

HOIATUS! lubage lastel ilma järelevalveta ahju kasutada ainult juhul, kui neid on vastavalt juhendatud nii, et laps suudab ahju ohutult kasutada ning mõistab vale kasutamisega seotud ohte.

Kui seadet kasutatakse režiimis GRILL, MIX GRILL, CONVECTION, MIX CONVECTION ja AUTO MENU, võivad lapsed seoses tekkiva kuumusega kasutada ahju ainult täiskasvanute järelevalve all.

See seade pole mõeldud kasutamiseks pärsitud füüsiliste, sensorsete või vaimsete võimetega ega kogemuste ja teadmisteta isikute poolt (sh lapsed), välja arvatud juhul, kui nende ohutuse eest vastutav isik jälgib nende tegevust või on õpetanud seadet kasutama.

Laste tegevust on vaja jälgida tagamaks, et nad seadmega ei mängiks. Kui lapsed puhastavad seadet, tuleb laste tegevust jälgida.

Elektroonilise puutepaneeliga mudelid on varustatud lapselukurežiimiga.

Ärge toetuge ega nõjatuge ahju uksele. Ärge mängige ahjuga ega kasutage seda mänguasjana.

Lastele tuleb õpetada kõiki olulisi ohutusnõudeid: pajalappide kasutamist, toidu katete ettevaatlikku äravõtmist, erilise tähelepanu pööramist toidu krõbedaks muutvatele pakenditele (näiteks ise kuumenevad materjalid), kuna need võivad muetuda eriti kuumaks.

Teised hoiatused

Ärge mitte mingil moel ahju muutke.

Ärge liigutage töötavat ahju.

See seade on mõeldud ainult koduses majapidamises kasutamiseks. Ahi on ettenähtud ainult kodus toidu valmistamiseks ning seda võib kasutada ainult toidu ja jookide valmistamiseks.

Toidu või riiete kuivatamine ning soojenduskottide, susside, švammide, niiske kanga vms kuumutamine võib tuua kaasa vigastus-, süttimis- või põlemisohu. Seade pole sobiv äriliseks ega laboratoorseks kasutamiseks.

Ahju tõrgeteta kasutamine ning kahjustuste vältimine.

Ärge laske ahjul tühjalt töötada. Pruunistusnõud või isekuume-nevaid materjale kasutades pange selle alla alati kuumuskindlast materjalist alus, näiteks portselantaldrik, hoidmaks ära ahju põhja kuumusest tingitud kahjustumine. Valmistamisjuhistes toodud eelkuumutamise aeg ei tohi ületada.

Ärge kasutage ahjunõusid, millised peegeldavad mikrolaineid ning võivad tekitada elektrilist kaarleeki. Ärge pange ahju metallist purke.

Pöördaluse või ahju põhja purunemise vältimiseks:

- a) Enne veega puhastamist tuleb lasta seadmel jahtuda.
- b) Ärge asetage kuumi ega külmi toite või kuumi nõusid külmale pöördalusele / ahju põhjale.
- c) Ärge pange ahju töötamise ajal ahju väliskestale mingeid esemeid.

MÄRKUS

Ärge kasutage mikrolainetega valmistamisel plastknõusid, kui ahi on veel kombineeritud režiimist (sõltub ahju mudelist) kuum, kuna sellised nõud võivad hakata sulama.

Ülalmainitud režiimide ajal ei tohi plastnõusid kasutada, välja arvatud juhul, kui nõu tootja on öelnud, et need on kasutamiseks sobivad.

Kui te ei ole kindlad, kuidas oma ahju ühendada, pidage palun nõu ametliku kvalifitseeritud elektrikuga.

Seadme tootja ega edasimüüja ei aktsepteeri vastutust elektriühenduste tegemise nõuetest kinni mitte pidamisest tingitud ahju kahjustuste või kehavigastuste eest.

Ahju seintele ning ukse tihenditele ja tihenduspindele võib aegajalt tekkida veeauru või veetilksid. Tegemist on normaalse nähtusega ning ei anna tunnistust mikrolainete lekkimisest või seadme rikkest.

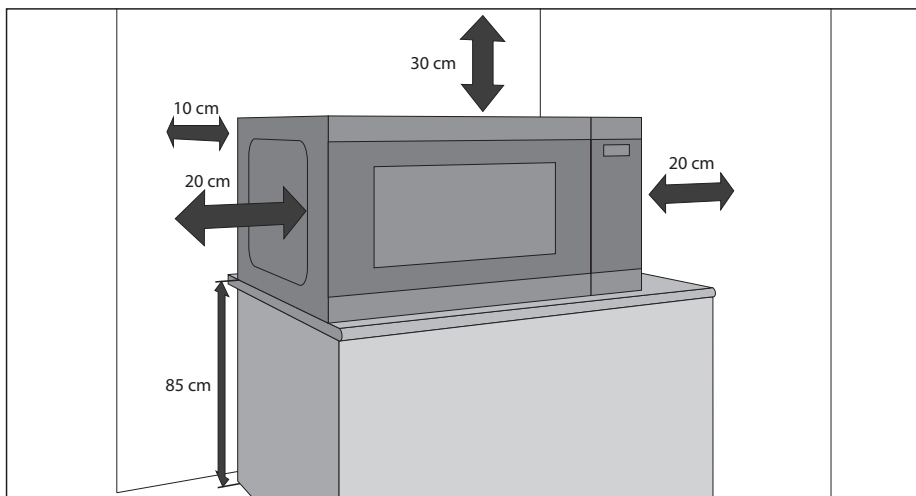
Antud seade on ettenähtud kasutamiseks kodumajapidamistes ja teistes sarnastes rakendustes, näiteks asutuste kööginurkades, kontorites ja teistes töökeskkondades, talumajades ja hotellide, motellide ja teiste eluruumide tüüpi keskkondades; hommikusöögi ja öömaja tüüpi keskkondades; toidlustusettevõtetes.



See sümbol näitab, et pinnad võivad kasutamise käigus muutuda kuumaks.

PAIGALDAMINE

1. Eemaldage ahju seest kõik pakkematerjalid ning eemaldage ahju korpuse pinnalt võimalik kaitsekile.
 2. Kontrollige ahju tähelepanelikult võimalike kahjustusmärkide suhtes.
 3. Asetage ahi kindlale, tasasele pinnale mis on piisavalt tugev, et kanda ahju kaalu ning ahjus valmistatava raskeima eseme kaalu. Ärge asetage ahju kappi.
 4. Valige tasane pind, kus on sisse- ja väljalaskevadele piisavalt vaba ruumi. Vt esilehel toodud pilti. Seadme taga- ja eespinna vaheline vahemaad peaks olema vähemalt 20 cm vaba ruumi.
- Minimaalne paigalduskõrgus on 85 cm.
 - Mikrolaineahju külgede ja kõrval asuvate seinte või esemete vahele peab jääma vähemalt 20 cm vaba ruumi.
 - Jätke ahju kohale vähemalt 30 cm vaba ruumi.
 - Ärge eemaldage ahju all asuvaid jalgu.
 - Sisse- ja/või väljalaskevade ummistamine võib ahju kahjustada.
 - Asetage ahi raadiotest ja teleritest võimalikult kaugemale. Mikrolainete töötamine võib põhjustada häireid raadio- ja telesaadete vastuvõtus.



5. Ühendage ahju pistik kindlalt standardsesse (maandatud) pistikupesasse.

HOIATUS!

Ärge asetage ahju kohtadesse, kus tekitatakse kuumust, suurt õhuniiskust või niiskust (näiteks tavalise ahju lähedale või peale) või kergesti süttivate materjalide lähedale (näiteks kardinad).

Ärge ummistage ega katke kinni õhutusavasid.

Ärge asetage ahju peale esemeid.

Ärge puudutage mikrolaineahju välispinda töötamise ajal või vahetult pärast seda, kuna välispind võib olla kuum.

RAADIO SEGAMINE

Mikrolaineahju kasutamine võib põhjustada häireid raadio, teleri vms seadmete töös. Segamise korral võib järgmiste meetmete abil mõju vähendada või sootuks kõrvaldada.

1. Puhastage ahju ukse ja sisemuse kokkupuuteala.
2. Muutke raadio või teleri antenni suunda.
3. Paigutage mikrolaineahi vastuvõtja suhtes mõnda teise kohta.
4. Ühendage mikrolaineahi mõnda erinevasse pistikupesasse, nii et mikrolaineahi ja vastuvõtja ei asuks samas vooluringis.

MAANDUSJUHISED

Seade peab olema maandatud. Ahju toitejuhtmel on maandussoon ja vastava kontaktiga pistik. Pistik tuleb ühendada vooluvõrgu pistikupesasse, mis on korralikult paigaldatud ja maandatud. Lühise korral vähendab maandus elektrilöögiohtu, pakkudes elektrivoolule liikumiseks varutee. Soovitav oleks, et ahju varustamiseks kasutatakse eraldi vooluringi.



HOIATUS! Maanduspistiku vale kasutamine võib põhjustada elektrilöögi.

MÄRKUS

1. Kui teil on maanduse või elektrijuhiste osas küsimusi, pidage nõu kvalifitseeritud elektri- või hooldustehnikuga.
2. Seadme tootja ega edasimüüja ei aksepteerivat vastutust elektriuhenduste tegemise nõuetest kinni mitte pidamisest tingitud ahju kahjustuste või kehavigastuste eest.

Teie mikrolaineahju toitejuhe on järgmiste värvikoodidega juhtmed:

Roheline ja kollane = MAANDUS

Sinine = NEUTRAAL

Pruun = VOOL

TEHNILISED ANDMED

Mudeli nimetus:	YC-PS204A	YC-PS234A	YC-PS254A	YC-PG204A	YC-PG234A	YC-PG254A	YC-PG284A	
Vahelduvvooluvõrgu pingeline	230–240 V, 50 Hz üks faas							
Vooluringi kaitse/ahelakatkestaja	10 A							
Võimsus:	Mikrolainetega	700 W	900 W	900 W	700 W	900 W	900 W	900 W
	Märkused				900 W	1000 W	1000 W	1000 W
	Välja lülitatud režiim	<0,5 W						
	Energiasäästurežiim	>0,5 W						
	Vajalik vahelduvvoolu võimsus:	1200 W	1400 W	1400 W	1400 W	1400 W	1400 W	1400 W
Mikrolainete sagedus	2450 MHz*							
Välismõõtmed (L) x (K) x (S) mm	455 x 274 x 334	483 x 281 x 377	483 x 281 x 403	455 x 274 x 345	483 x 281 x 395	483 x 281 x 403	539 x 309 x 441	
Ahju sisemuse mõõtmed (L) x (K) x (S)** mm	315 x 198 x 297	340 x 220 x 320	340 x 220 x 344	315 x 198 x 297	340 x 220 x 320	340 x 220 x 344	354 x 220 x 358	
Ahju mahutavus	20 liitrit**	23 liitrit**	25 liitrit**	20 liitrit**	25 liitrit**	25 liitrit**	28 liitrit**	
Pöördaluse läbimõõt	245 mm	270 mm	270 mm	245 mm	270 mm	270 mm	325 mm	
Grillresti suurus (W) x (D) mm				190 x 79	80 x 208	80 x 208	89 x 285	
Kaal	umb. 10,5 kg	umb. 12,9 kg	umb. 13,5 kg	umb. 10,9 kg	umb. 13,9 kg	umb. 13,7 kg	umb. 16,6 kg	
Ahju lamp (LED-tüüpi)	1,5 W							

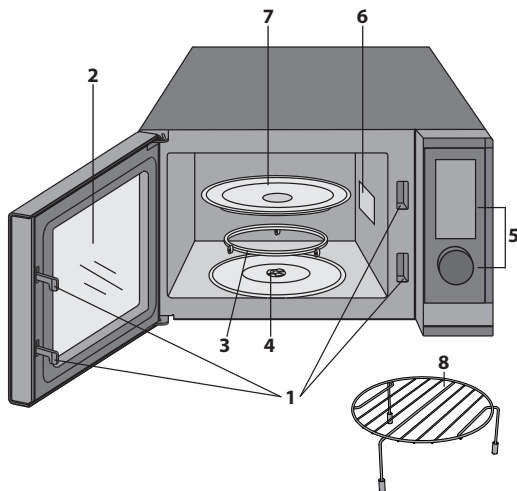
* - See Toode vastab Euroopa standardi EN55011 nõuetele. Vastavalt sellele standardile on käesolev toode klassifitseeritud kui 2 grupi, B klassi seade. Grupp 2 tähendab, et seade tekitab toidu kuumtöötlemise eesmärgil sihilikult elektromagnetilise kiirguse vormis raadiosageduslikku energiat. Klass B seade tähendab, et seade on sobiv kodumajapidamistes kasutamiseks.

** - Sisemahutavus on arvestatud suurima laiuse, sügavuse ja kõrguse alusel. Tegelik toidu tarbeks kasutatav mahutavus on sellest väiksem.

PIDEVA PARENDAMISSTRATEEGIA ÜHE OSANA JÄTAME ENDALE ÕIGUSE MUUTA DISAINI JA TEHNILISI ANDMEID ILMA SELLEST EELNEVALT TEAVITAMATA.

AHI JA TARVIKUD

1. Ukse turvalukustusüsteem
2. Ahju aken
3. Rullikalus
4. Pöördaluse liitmik
5. Pöördnupp ja juhtnupud
6. Lainejuhi kate (mitte eemaldada)
7. Klaasist alus
8. Grillrest mudelitele YC-PG204A, YC-PG234A, YC-PG254A ja YC-PG284A
9. Ventilatsiooniavad
10. Väliskorpus
11. Toitejuhe



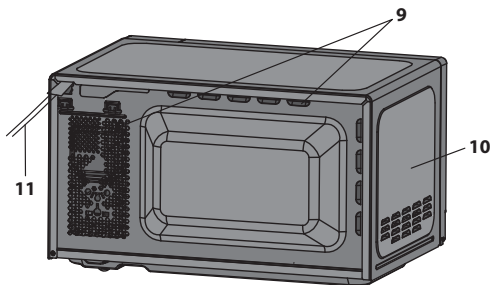
Kontrollige, et seadmega oleksid kaasas järgmised tarvikud:

Ainult grilliga ahjud:

- **Grillrest** – kasutamiseks vaid juhul, kui kasutatakse grillfunktsiooni.
- Grillrest on ettenähtud kasutamiseks ainult grilliga ahjudes. ÄRGE kasutage resti, kui kasutate toiduvalmistamiseks mikrolaineid.
- Grillresti kasutamise kohta vt lähemalt kesoleva juhendi grillimispeatükkidest.

Ärge puudutage grilli ajal, kui see on kuum

MÄRKUS: tarvikuid valides öelge kaks asja: osa nimi ja mudeli nimi.



MÄRKUSED

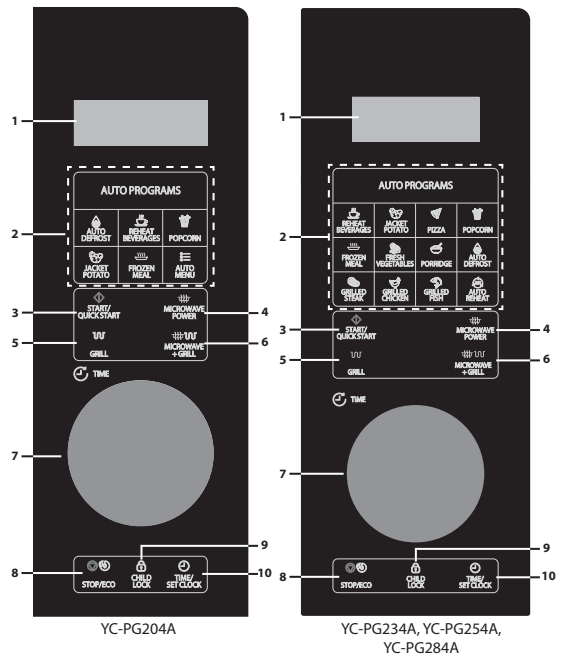
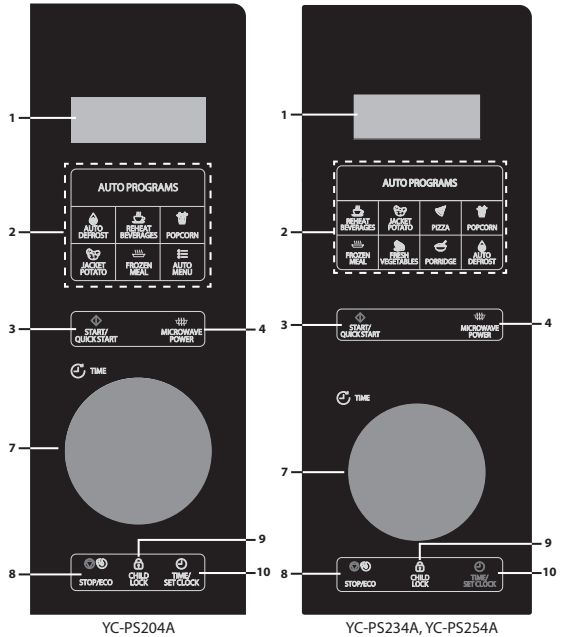
- Rasvaste toitude ilma katteta küpsetamise järel tehke ahju sisemus alati põhjalikult puhtaks – need peavad olema kuivad ning rasvast puhtad. Kogunenud rasv võib üle kuumeneda ning hakata suitsema või süttida põlema.
- Mikrolainetega valmistamisel asetage toidunõud alati pöördalusele.
- ÄRGE kasutage grillresti, kui kasutate toiduvalmistamiseks mikrolaineid.



HOIATUS! See sümbol näitab, et pinnad võivad kasutamise käigus muutuda kuumaks. Uks, väliskest, ahju sisemus, tarvikud ja nõud võivad kasutamise käigus muutuda väga kuumaks. Kasutage põletuste vältimiseks alati pakse ahjukindaid.

JUHTPANEEL

- DIGIDISPLEI** – näitab valmistamisaega, võimsust, näidikuid ja kellaega.
- AUTOMAATMENÜÜ nupud**– vajutage automaatse valmistamismenüü valimiseks. (Kasutamise kohta vt lisateavet lk 19).
- START/QUICK START** – (lk 17).
- MICROWAVE POWER** – vajutage mikrolainete võimsustaseme valimiseks. (Lk 16).
- GRILL** – vajutage grilliga küpsetusprogrammi valimiseks. (Lk 17).
- MICROWAVE+GRILL** – vajutage mikrolainete ja grilliga kombineeritud küpsetusprogrammi valimiseks. (Lk18).
- PÖÖRDNUPP** – pöörake erinevate funktsioonide seadistamiseks kas päri- või vastupäeva.
- STOP/ECO** – vajutage üks kord, et toiduvalmistamine peatada, vajutage kaks korda, et toiduvalmistamine üldse tühistada. Kasutage elektrienergia säästurežiimi valimiseks. (Lk 23).
- CHILD LOCK** – lapslukk. (Lk 24).
- TIME/SET CLOCK** – kasutage kellaaja seadistamiseks. Kasutage taimerifunktsiooni seadistamiseks. (Lk 15).



ENNE AHJU KASUTAMIST

Ahju esmakordsel vooluvõrku ühendamisel kostub piiks ja displeile kuvatakse „1: 00“. Ahju korrektseks toimimiseks ei ole ilmingimata vaja kella seadistada. Kella seadistamiseks järgige käesolevas kasutusjuhendis peatükis „**Kella seadistamine**“ toodud juhiseid.

Uue seadme grilli esmakordsel kasutamisel võib eralduda vähesel määral suitsu ja lõhna. Selleks, et nii ei juhtuks toiduvalmistamise ajal, kasutage grillifunktsiooni umbes 20 minutit ilma toitu valmistamata.

- Pärast ukse avamist ja sulgemist lülitub ahju ooterežiimi. Kui 1 minuti vältel ühtegi nuppu ei vajutata, jääb displei põlema, kuid nupud enam ei toimi. Uuesti ooterežiimi lülitumiseks avage ja sulgege seadme uks.
- Kui toiduvalmistamise ajal vajutatakse üks kord nuppu **STOP/ECO**, peatub toiduvalmistamistsükkel. Toiduvalmistamise jätkamiseks vajutage nuppu **START/QUICK START**. Kui nuppu **STOP/ECO** vajutatakse kaks korda, tühistatakse toiduvalmistamine.
- Kui ahju konkreetse funktsiooni jaoks programmeerides jääb kahe nupuvajutuse vahele rohkem kui 30 sekundit, naaseb ahi ooterežiimi.
- Toiduvalmistamistsükli lõppemisel kuvatakse displeile „**End**“ ja 2 minuti vältel, või kuni mõnda nuppu vajutatakse või uks avatakse, kostub helisignaal.

KELLA SEADISTAMINE

Ahjul on kell, mida saab kasutada kas 12- või 24-tunni režiimis. Kella seadistamiseks tegutsuge järgmiselt.

1. Ooterežiimis olles vajutage kellaseadistusrežiimi avamiseks vähemalt 3 sekundit nuppu **TIME/SET CLOCK**.
 2. 12- või 24-tunni kellarežiimi valimiseks vajutage nuppu **TIME/SET CLOCK**.
 3. Pöörake tundide valimiseks **PÖÖRDNUPPU**. Salvestamiseks vajutage nuppu **TIME/SET CLOCK**.
 4. Pöörake minutite valimiseks **PÖÖRDNUPPU**. Valitud minutite salvestamiseks ja kellaseadistusrežiimist väljumiseks vajutage nuppu **TIME/SET CLOCK**.
- Ahju tavapärase töötamine ei eelda, et kell oleks seadistatud.
 - Toiduvalmistamisrežiimis kellaaja (kui see on seadistatud) vaatamiseks vajutage nuppu **TIME/SET CLOCK**. Viie sekundi möödudes kuvatakse displeile kellaaja asemel jälle toiduvalmistamisaja pöördlugemine. Köögitaimeri valimisel pole jooksvat kellaega võimalik vaadata.

MIKROLAINETEGA TOIDUVALMISTAMINE

Mikrolainefunktsiooni valimiseks järgige järgnevaid juhiseid.

1. Ooterežiimis võimsustaseme valimiseks vajutage nuppu **MICROWAVE POWER**. Iga kord, kui nuppu vajutada, kuvatakse displeile mikrolainete võimsustase.
2. Soovitud mikrolainete võimsustaseme valimise järel pöörake **PÖÖRDNUPPU** ja valige küpsetusaeg.
3. Valmistamise austamiseks vajutage nuppu **START/QUICK START**.
4. Toiduvalmistamistsükli lõppemisel kuvatakse displeile **End** ja 2 minuti vältel, või kuni mõnda nuppu vajutatakse või uks avatakse, kostub helisignaal.

Järgnev tabel on pelgalt indikatiivne. Teie mikrolaineahjul on 10 võimsustaset: 10%, 20%, 30%, 40%, 50%, 60%, 70%, 80%, 90% ja 100%. Tegelikult väljundvõimsuse teada saamiseks korrutage mikrolainete võimsust võimsustaseme protsendiga.

Nõuanded mikrolainetega toiduvalmistamiseks

Displei	Mikrolainete võimsus	Soovitav kasutamine
P100	100 %	Kasutatakse kiireks valmistamiseks või ülessoojendamiseks, näiteks hautiste, kuumade jookide, köögiviljade jms. puhul.
P-80	80 %	Tihedate toitude (näiteks loomalihahautise) puhul, mis nõuavad tavalise valmistamise juures pikemat valmistamisaega, on liha õrna struktuuri säilitamiseks soovitatav kasutada just seda võimsustaset.
P-60	60 %	Kasutatakse tihedate toitude, näiteks kootide, lihatükide ja praadide, kuid ka õrnade toitude, nagu juustukastmete ja keekside, pikaajaliseks küpsetamiseks.
P-40	40 %	Sulatamine: valige toidu ühtlaseks sulatamiseks just see võimsustase. Antud võimsustase on väga sobiv ka riisi, pasta, klimpide ja munarõa valmistamiseks.
P-20	20 %	Ettevaatlikuks sulatamiseks, näiteks kreemikoogi või kondiitritoodete puhul.

- Toiduvalmistamise ajal saate küpsetusvõimsust vaadata, vajutades pikalt nuppu **MICROWAVE POWER**.
- Pikim valmistamisperiood on 95 minutit.

KIIRSTART

Kui teil on vaja küpsetada 100% võimsusega, vajutage ooterežiimis olles lihtsalt nuppu **START/QUICK START**. Iga nupu **START/QUICK START** vajutamine lisab valmistamisajale 30 sekundit.

GRILLIGA KÜPSETAMINE*

Ahju ülaosas asuval grillimise kuumutuselemendil on vaid üks võimsusseadistus, mis on tõhus ja säästev. Grill sobib suurepäraselt peekoni, suitsuliha, kalapulkade ja teekookide küpsetamiseks.

Kasutage grilliresti ainult väikeste toiduainete, näiteks peekoni ja vorstide grillimiseks. Pöörake toiduained poole grillimisaja möödudes ümber. Toidu võib panna otse restile või küpsetusvormile või kuumuskindlale taldrikule. Selleks, et rasv küpsetatavast toidust maha ei tilguks, asetage grilliresti alla sobiv alus.

Haudenõus toidu pruunistamiseks saab grilliresti kasutada, kui nõu on piisavalt madal. Sellised nõud on aga siiski soovitatav panna otse pöördalusele, et pruunistamiseks veidi lisa-aega saada. Grilliresti pole grillimiseks võimalik kasutada.

Grillifunktsiooni kasutamiseks tegutsege järgmiselt.

1. Grillifunktsiooni valimiseks vajutage ooterežiimis olles nuppu **GRILL**. Displeile kuvatakse „**Grill**“
2. Pöörake **PÖÖRDNUPPU** ja valige küpsetusaeg.
3. Valmistamise austamiseks vajutage nuppu **START/QUICK START**.
4. Toiduvalmistamistsükli lõppemisel kuvatakse displeile **End**“ ja kahe minuti vältel, või kuni mõnda nuppu vajutatakse või uks avatakse, kostub helisignaal.

* - Ainult grilliga mudelite puhul.

MIKROLAINED + GRILL*

Mikrolainete ja grilli funktsiooniga on võimalik toitu kiirelt küpsetada ja pruunistada. Mikrolainete ja grilli funktsiooni kasutamiseks tegutses vastavalt järgmistele juhiste.

1. Vajutage ooterežiimis üks või kaks korda nuppu **MICROWAVE + GRILL**, et valida „Co-1“ või „Co-2“.
2. Pöörake **PÖÖRDNUPPU**, et valida küpsetusaeg.
3. Alustamiseks vajutage nuppu **START/QUICK START**.
4. Toiduvalmistamistsükli lõppemisel kuvatakse displeile **End** ja 2 minuti vältel, või kuni mõnda nuppu vajutatakse või uks avatakse, kostub helisignaal.

Funktsioon Mikrolained + Grill

Displei	Väljundvõimsus	Soovitav kasutamine
Co-1	70% grill / 30% mikro.	Kanatükid, kana rinnatükk, sealihalõigud
Co-2	56% grill / 44% mikro.	Terve kana

- Maksimaalne valmistamisaeg on grilli puhul 95 minutit.
- Grillimise käigus tekkiva suitsu ja lõhnade eemaldamiseks avage aken või lülitage sisse köögi õhupuhasti. Tegemist on normaalse nähtusega, mitte ahju rikkega.
- Küpsetamise ajal on teil võimalik kontrollida hetke küpsetusvõimsust, puudutades selleks nuppu **MICROWAVE + GRILL**.
- Grillifunktsiooni kasutamisel lülitub grill ülekuumenemise vältimiseks regulaarsete intervallide järel sisse ja välja.
- Funktsiooni MIKROLAINED+GRILL kasutamisel võib sobivale toidunõule asetatud toidu otse ahju pöördalusele või siis grillirestile asetada.

HOIATUS! Uks, väliskest, ahju sisemus ja tarvikud võivad kasutamise käigus muutuda väga kuumaks. Kasutage põletuste vältimiseks alati pakse ahjukindaid.

* - Ainult grilliga mudelite puhul.

AUTOMAATMENÜÜ

Mugavad automaatprogrammid võimaldavad valmistada toitu kiirelt ja tõhusalt vaid mõne nupuvajutusega. Programmi ega selle kestust pole vaja valida, piisab vaid vajalikule automaatvalmistamise nupule vajutamisest, **PÕÖRDNUPUGA** kaalu / tükide arvu sisestamisest ja seejärel nupu **START/QUICK START** vajutamisest.

Näide – kahe koorega kartuli valmistamine

1. Avage seadme üks ja asetage toit kasutatava küpsetustsükli japoks sobivas ahjunõus ahju.
2. Sulgege üks.
3. Vajutage üks kord nuppu **JACKET POTATO**.
4. Pöörake **PÕÖRDNUPPU** ja sisestage kartulite arv.
5. Vajutage nuppu **START/QUICK START**.
6. Toiduvalmistamistsükli lõppemisel kuvatakse displeile **End** ja 2 minuti vältel, või kuni mõnda nuppu vajutatakse või üks avatakse, kostub helisignaal.

Automaatse valmistamise menüüd:

Automaatprogramm	Suurus/kaal
Frozen Meal (Külmutatud toit) Auto Defrost (Automaatne sulatamine) Auto Reheat (Automaatne taaskuumutamine)	Valige PÕÖRDNUPPU pöörates kaal. Frozen Meal (Külmutatud toit) ja Auto reheat (Auto Reheat (Automaatne taaskuumutamine) (200 kuni 800 g), Auto Defrost (Automaatne sulatamine) (100 kuni 1800 g)
Reheat Beverages (Jookide kuumutamine)	Valige PÕÖRDNUPPU pöörates tasside arvuks (200 ml tass) 1 kuni 3 tassi.
Jacked Potato (koorega kartul)	Valige PÕÖRDNUPPU pöörates kartulite arvuks 1 või 2 kartulit (230 g kartul).
Pizza (Pitsa)	Valige PÕÖRDNUPPU pöörates pitsa kaal (150 g / 300 g / 450 g).
Popcorn (Popkorn)	Valige PÕÖRDNUPPU pöörates popkornipakkide arv (paki kaal 100 g).
Fresh Vegetables (Värsked köögiviljad)	Valige PÕÖRDNUPPU pöörates köögiviljade kaal (200 kuni 600 g).
Porridge (Puder)	Valige PÕÖRDNUPPU pöörates pudru kaal (50 kuni 150 g).
Grilled Steak (Grillsteik) (ainult grilliga mudelid)	Valige PÕÖRDNUPPU pöörates steigi kaal (200 kuni 600 g).
Grilled Chicken (Grillkana) (ainult grilliga mudelid)	Valige PÕÖRDNUPPU pöörates kana kaal (200 kuni 600 g).
Grilled Fish (Grillitud kala) (ainult grilliga mudelid)	Valige PÕÖRDNUPPU pöörates kala kaal (200 kuni 600 g).

- Automaatvalmistamise tulemus sõltub sellistest teguritest, nagu toidu kuju ja suurus, teie isiklikud eelistused teatud toitude valmistamisastme osas ja kuidas toit on ahju asetatud. Kui valmistamistulemus pole rahuldav, muutke vastavalt valmistamisaega.

Märkus: nuppu Auto Menu kasutatakse ainult mudelitel YC-PG204A ja YC-PS204A. Iga kord, kui vajutatakse nuppu Auto Menu, näitab displei vastaval eeltoodud tabelile automaatprogrammi. Soovitud automaatmenüü leidmisel pöörake **PÕÖRDNUPPU**, et valida valmistatava toidu kaal.

Automaatprogrammide kirjeldus

Toit	Kogus	Esisalgne temperatuur	Valmistamine
Jookide kuumutamine	1 kuni 3 tassi 1 tass = 200 ml	Toatemperatuur	<ol style="list-style-type: none"> 1. Asetage kuumutatav jook mikrolaineahju klaasist pöörduluse keskele 2. Sulgege uks, vajutage nuppu REHEAT BEVERAGES (JOOKIDE KUUMUTAMINE) ja valige PÕÖRDNUPUGA tasside arv. 3. Valmistamise austamiseks vajutage nuppu START/QUICK START (START/KIIRSTART). 4. Taimeri seiskudes võtke seadmest oma jook. Olge ettevaatlik, kuna jook on kuum.
Koorega kartul	1 kuni 2 kartulit 1 kartul = 230 ±10 g	Toatemperatuur	<ol style="list-style-type: none"> 1. Peske ja kuivatage kartul(id) ja torgake kartuli välispind kahvliga mitu korda läbi. 2. Asetage kartul(id) mikrolaineahju klaasist pöörduluse keskele 3. Sulgege uks, vajutage nuppu JACKET POTATO (KOOREGA KARTUL) ja valige PÕÖRDNUPUGA kartulite arv. 4. Valmistamise austamiseks vajutage nuppu START/QUICK START (START/KIIRSTART). 5. Taimeri seiskudes võtke seadmest kartul(id). Olge ettevaatlik, kuna toit on kuum.
Pitsa	150–450 g	Külmutatud –18 °C	<ol style="list-style-type: none"> 1. Asetage pitsa mikrolainetekiinald taldrikul mikrolaineahju klaasist pöörduluse keskele. 2. Sulgege uks, vajutage nuppu PIZZA (PITSA) ja valige PÕÖRDNUPUGA kaal. 3. Valmistamise austamiseks vajutage nuppu START/QUICK START (START/KIIRSTART). 4. Taimeri seiskudes võtke mikrolaineahjust pitsa. Olge ettevaatlik, kuna toit on kuum.
Popkorn	100 g	Toatemperatuur	<ol style="list-style-type: none"> 1. Asetage popkorn mikrolaineahju klaasist pöörduluse keskele. 2. Sulgege uks ja vajutage nuppu POPCORN (POPKORN). 3. Valmistamise austamiseks vajutage nuppu START/QUICK START (START/KIIRSTART). 4. Taimeri seiskudes võtke mikrolaineahjust popkorn. Olge ettevaatlik, kuna toit on kuum.
Külmutatud toit	200–800 g	Külmutatud –18 °C	<ol style="list-style-type: none"> 1. Asetage külmutatud toit mikrolainetekiinald taldrikule ja katke kilega; torgake kilesse mõned augud. 2. Asetage taldrik mikrolaineahju klaasist pöörduluse keskele. 3. Sulgege uks, vajutage nuppu FROZEN MEAL (KÜLMUTATUD TOIT) ja valige PÕÖRDNUPUGA kaal. 4. Valmistamise austamiseks vajutage nuppu START/QUICK START (START/KIIRSTART). 5. Taimeri seiskudes võtke toit ahjust välja ja serveerige. Olge ettevaatlik, kuna toit on kuum.
Värsked köögiviljad	200–600 g	Toatemperatuur	<ol style="list-style-type: none"> 1. Peske köögiviljad ja lõigake väikesteks tükkideks pikkusega 25–30 mm ja paksusega 10 mm. 2. Asetage köögiviljatükid mikrolainetekiinald keraamilisse kaussi ja katke kilega; torgake kilesse mõned augud. 3. Asetage kauss mikrolaineahju klaasist pöörduluse keskele. 4. Sulgege uks, vajutage nuppu FRESH VEGETABLES (VÄRSKE KÖÖGIVILI) ja valige PÕÖRDNUPUGA kaal. 5. Valmistamise austamiseks vajutage nuppu START/QUICK START (START/KIIRSTART). 6. Taimeri seiskudes võtke toit ahjust välja ja serveerige. Olge ettevaatlik, kuna toit on kuum.
Puder	50–150 g	Toatemperatuur	<ol style="list-style-type: none"> 1. Segage kaussis kaerahelbed ja piim. Soovitatav kogus on 180 ml piima 50 g kaerahelveste kohta. 2. Asetage kauss klaasist pöörduluse keskele. 3. Sulgege uks, vajutage nuppu PORRIDGE (PUDER) ja valige PÕÖRDNUPUGA kaal. 4. Valmistamise austamiseks vajutage nuppu START/QUICK START (START/KIIRSTART). 5. Taimeri seiskumise järel võtke puder välja ja serveerige.
Automaatne taaskuumutamine	200–800 g	Jähe 5 °C	<ol style="list-style-type: none"> 1. Asetage külm riis või pasta mikrolainetega sobivasse keraamilisse kaussi ja katke kilega; torgake kilesse mõned augud. 2. Asetage kauss mikrolaineahju klaasist pöörduluse keskele. 3. Sulgege uks, vajutage nuppu AUTO REHEAT (KÜLMUTATUD TOIT) ja valige PÕÖRDNUPUGA kaal. 4. Valmistamise austamiseks vajutage nuppu START/QUICK START (START/KIIRSTART). 5. Taimeri seiskumise järel võtke puder välja ja serveerige.
Grillitud steik	200–600 g	Toatemperatuur	<ol style="list-style-type: none"> 1. Paigutage lihalõik ühtlaselt grillirestile, mis on kaetud rasvakindla paberiga. 2. Asetage grillrest mikrolaineahju klaasist pöörduluse keskele. 3. Sulgege uks, vajutage nuppu GRILLED STEAK (GRILLITUD STEIK) ja valige PÕÖRDNUPUGA kaal. 4. Valmistamise austamiseks vajutage nuppu START/QUICK START (START/KIIRSTART). 5. Pärast kahe kolmandiku valmistamisaja möödumist avage uks, pöörake toit ümber, sulgege seejärel uks ja jätkake küpsetamist. 6. Taimeri seiskudes võtke toit ahjust välja ja serveerige. Olge ettevaatlik, kuna toit ja nõud on kuumad.
Grillitud kanalihatükid	200–600 g	Toatemperatuur	<ol style="list-style-type: none"> 1. Paigutage kanalihatükid ühtlaselt grillirestile, mis on kaetud rasvakindla paberiga. 2. Asetage grillrest mikrolaineahju klaasist pöörduluse keskele. 3. Sulgege uks, vajutage nuppu Grilled Chicken (grillkana) ja valige PÕÖRDNUPUGA kaal. 4. Valmistamise austamiseks vajutage nuppu START/QUICK START (START/KIIRSTART). 5. Pärast kahe kolmandiku valmistamisaja möödumist avage uks, pöörake toit ümber, sulgege seejärel uks ja jätkake küpsetamist. 6. Taimeri seiskudes võtke toit ahjust välja ja serveerige. Olge ettevaatlik, kuna toit ja nõud on kuumad.
Grillitud kalatükid	100–500 g	Toatemperatuur	<ol style="list-style-type: none"> 1. Paigutage kalatükid ühtlaselt grillirestile, mis on kaetud rasvakindla paberiga. 2. Asetage grillrest mikrolaineahju klaasist pöörduluse keskele. 3. Sulgege uks, vajutage nuppu GRILLED FISH (GRILLITUD KALA) ja valige PÕÖRDNUPUGA kaal. 4. Valmistamise austamiseks vajutage nuppu START/QUICK START (START/KIIRSTART). 5. Pärast kahe kolmandiku valmistamisaja möödumist avage uks, pöörake toit ümber, sulgege seejärel uks ja jätkake küpsetamist. 6. Taimeri seiskudes võtke toit ahjust välja ja serveerige. Olge ettevaatlik, kuna toit ja nõud on kuumad.

Märkus	Ahju režiim ja kasutamiskiivus	YC-PS204A	YC-PS234A ja YC-PS254A	YC-PG204A	YC-PG234A, YC-PG254A ja YC-PG284A
	Ainult mikrolained võimsusel 100%	1 tass – 1:40 minutit 2 tassi: 3:00 minutit 3 tassi: 4:20 minutit	1 tass – 1:30 minutit 2 tassi: 2:40 minutit 3 tassi: 3:50 minutit	1 tass – 1:40 minutit 2 tassi: 3:00 minutit 3 tassi: 4:20 minutit	1 tass – 1:30 minutit 2 tassi: 2:40 minutit 3 tassi: 3:50 minutit
	Ainult mikrolained võimsusel 100%	1 kartul – 6:00 minutit 2 kartulit: 9:00 minutit 3 kartulit: 13:00 minutit	1 kartul – 5:00 minutit 2 kartulit: 08:00 minutit 3 kartulit: 12:00 minutit	1 kartul – 6:00 minutit 2 kartulit: 09:00 minutit 3 kartulit: 13:00 minutit	1 kartul – 5:00 minutit 2 kartulit: 08:00 minutit 3 kartulit: 12:00 minutit
Mudelitel YC-PS204A ja YC-PG204A tuleb vajutada nuppu AUTO MENU (AUTOMAATMENÜÜ), kuni ilmub programm.	Ainult mikrolained võimsusel 100%	150 g – 1:00 minut 300 g – 1:30 minutit 450 g: 2:00 minutit	150 g – 0:50 minutit 300 g – 1:20 minutit 450 g: 1:50 minutit	150 g – 1:00 minut 300 g – 1:30 minutit 450 g: 2:00 minutit	150 g – 0:50 minutit 300 g – 1:20 minutit 450 g: 1:50 minutit
	Ainult mikrolained võimsusel 100%	100 g: 3:00 minutit	100 g: 2:00 minutit	100 g: 3:00 minutit	100 g: 2:30 minutit
	Mikrolained võimsusega 100% 1/2 aega, seejärel 0% 1/6 ajast ja lõpuks 100% 1/3 ajast	200 g: 8:00 minutit 400 g: 11:00 minutit 600 g: 15:00 minutit 800 g: 18:00 minutit	200 g: 6:00 minutit 400 g: 9:00 minutit 600 g: 13:00 minutit 800 g: 16:00 minutit	200 g: 8:00 minutit 400 g: 11:00 minutit 600 g: 15:00 minutit 800 g: 18:00 minutit	200 g: 6:00 minutit 400 g: 9:00 minutit 600 g: 13:00 minutit 800 g: 16:00 minutit
Mudelitel YC-PS204A ja YC-PG204A tuleb vajutada nuppu AUTO MENU (AUTOMAATMENÜÜ), kuni ilmub programm.	Ainult mikrolained võimsusel 100%	200 g: 3:30 minutit 300 g: 4:30 minutit 400 g: 5:30 minutit 500 g: 6:30 minutit 600 g: 7:30 minutit	200 g: 3:00 minutit 300 g: 4:00 minutit 400 g: 5:00 minutit 500 g: 6:00 minutit 600 g: 7:00 minutit	200 g: 3:30 minutit 300 g: 4:30 minutit 400 g: 5:30 minutit 500 g: 6:30 minutit 600 g: 7:30 minutit	200 g: 3:00 minutit 300 g: 4:00 minutit 400 g: 5:00 minutit 500 g: 6:00 minutit 600 g: 7:00 minutit
Mudelitel YC-PS204A ja YC-PG204A tuleb vajutada nuppu AUTO MENU (AUTOMAATMENÜÜ), kuni ilmub programm.	Mikrolained – 100%	50 g: 2:00 minutit 100 g: 3:30 minutit 150 g: 5:30 minutit	50 g: 2:00 minutit 100 g: 3:30 minutit 150 g: 5:30 minutit	50 g: 2:00 minutit 100 g: 3:30 minutit 150 g: 5:30 minutit	50 g: 2:00 minutit 100 g: 3:30 minutit 150 g: 5:30 minutit
Mudelil YC-PG204A tuleb vajutada nuppu AUTO MENU (AUTOMAATMENÜÜ), kuni ilmub programm.	Ainult mikrolained võimsusel 100%	200 g: 2:00 minutit 300 g: 2:40 minutit 400 g: 3:20 minutit 500 g: 4:00 minutit 600 g: 4:40 minutit 700 g: 5:20 minutit 800 g: 6:00 minutit	200 g: 1:30 minutit 300 g: 2:00 minutit 400 g: 2:30 minutit 500 g: 3:00 minutit 600 g: 3:30 minutit 700 g: 4:00 minutit 800 g: 4:30 minutit	200 g: 2:00 minutit 300 g: 2:40 minutit 400 g: 3:20 minutit 500 g: 4:00 minutit 600 g: 4:40 minutit 700 g: 5:20 minutit 800 g: 6:00 minutit	200 g: 1:30 minutit 300 g: 2:00 minutit 400 g: 2:30 minutit 500 g: 3:00 minutit 600 g: 3:30 minutit 700 g: 4:00 minutit 800 g: 4:30 minutit
Mudelil YC-PG204A tuleb vajutada nuppu AUTO MENU (AUTOMAATMENÜÜ), kuni ilmub programm.	Mikrolaineahi töötab 10 sekundit mikrolainete 100% võimsustasemega ja seejärel 23 sekundis sisse grill. Selline tsüklid kordub kuni valmistamisaja lõpuni. Mikrolained ja grillimine pole kunagi korraga sisse lülitatud.	K/TU	K/TU	200 g: 15:00 minutit 300 g: 18:00 minutit 400 g: 21:00 minutit 500 g: 24:00 minutit 600 g: 27:00 minutit	200 g: 15:00 minutit 300 g: 18:00 minutit 400 g: 21:00 minutit 500 g: 24:00 minutit 600 g: 27:00 minutit
Mudelil YC-PG204A tuleb vajutada nuppu AUTO MENU (AUTOMAATMENÜÜ), kuni ilmub programm.	Mikrolaineahi töötab 10 sekundit mikrolainete 100% võimsustasemega ja seejärel 23 sekundis sisse grill. Selline tsüklid kordub kuni valmistamisaja lõpuni. Mikrolained ja grillimine pole kunagi korraga sisse lülitatud.	K/TU	K/TU	200 g: 15:00 minutit 300 g: 18:00 minutit 400 g: 21:00 minutit 500 g: 24:00 minutit 600 g: 27:00 minutit	200 g: 15:00 minutit 300 g: 18:00 minutit 400 g: 21:00 minutit 500 g: 24:00 minutit 600 g: 27:00 minutit
Mudelil YC-PG204A tuleb vajutada nuppu AUTO MENU (AUTOMAATMENÜÜ), kuni ilmub programm.	Mikrolaineahi töötab 10 sekundit mikrolainete 100% võimsustasemega ja seejärel 23 sekundis sisse grill. Selline tsüklid kordub kuni valmistamisaja lõpuni. Mikrolained ja grillimine pole kunagi korraga sisse lülitatud.	K/TU	K/TU	100 g: 12:00 minutit 200 g: 15:00 minutit 300 g: 18:00 minutit 400 g: 21:00 minutit 500 g: 24:00 minutit	100 g: 12:00 minutit 200 g: 15:00 minutit 300 g: 18:00 minutit 400 g: 21:00 minutit 500 g: 24:00 minutit

AUTOMAATNE SULATAMINE

Automaatne sulatamine võimaldab teil toitu kaalu alusel sulatada. Pärast toidukategooria ja kaalu programmeerimist valitakse sulatamise kestus ja vajalik võimsustase juba automaatselt. Külmutatud toidu võimalik kaal peab jääma vahemikku 100 g kuni 1800 g.

1. Vajutage ooterežiimis olles nuppu **AUTO DEFROST**.
2. Valige **PÕRDNUPPU** pöörates sulatatava toidu kaal.
3. Sulatamise alustamiseks vajutage nuppu **START/QUICK START**.
4. Kui ahi sulatamise ajal seiskub, pöörake toit ühtlase sulatamise saavutamiseks ümber ja vajutage järelejäädud aja vältel sulatamiseks nuppu **START/QUICK START**.
5. Sulatamistsükli lõppemisel kuvatakse displeile „**End**“ ja kahe minuti vältel, või kuni mõnda nuppu vajutatakse või uks avatakse, kostub helisignaal.

Automaatne sulatamine – kasutamine

Mudel	Kaaluvahe- mik	Sulatamise ajavahemik	Sulatamise käik	Tegevuse kirjeldus
YC-PG204A	100–1800 g	5,5–39,5 minutit	Mikrolained 40% võimsusega 1/3 ajast, seejärel 20% võimsusega järgmised 1/3 ajast.	1. Asetage külmutatud toit mikrolainetekiindlale taldrikule ja katke kilega; torgake kilesse mõned augud.
YC-PG204A	100–1800 g	5–39 minutit	Mikrolaineahi palub toidu ümber keerata. Pärast ümberkeeramist jätkab 20% võimsusega kogu ülejäänud aja.	2. Asetage taldrik mikrolaineahju klaasist pöördaluse keskele.
YC-PS234A ja YC-PG234A	100–1800 g	5,5–39,5 minutit	Pool aega mikrolained võimsusel 20%, palve pöörata toit ümber, 20% võimsustase kuni järelejäädud aja lõpuni.	3. Sulgege uks, vajutage nuppu AUTO DEFROST (AUTOMAATNE SULATAMINE) ja valige PÕRDNUPUGA kaal.
YC-PS254A, YC-PG254A ja YC-PG284A	100–1800 g	3–37 minutit	Mikrolained 30% võimsusega 1/3 ajast, seejärel 20% võimsusega järgmised 1/3 ajast. Mikrolaineahi palub toidu ümber keerata. Pärast ümberkeeramist jätkab 20% võimsusega kogu ülejäänud aja.	4. Sulatamise alustamiseks vajutage nuppu START/QUICK START (START/KIIRSTART) .
				5. Poole sulatamistsükli möödudes ahi seiskub ja palub teil toit ümber pöörata.
				6. Avage ahju uks ja pöörake toit ümber või paigutage toit ringi. Sulgege uks.
				7. Sulatamise jätkamiseks vajutage nuppu START/QUICK START (START/KIIRSTART) .
				8. Kui taimer on seiskunud, eemaldage toit ahjust. Kontrollige, kas toit on korralikult ära sulanud.

AUTOMAATNE TAASKUUMUTAMINE*

Ahi võimaldab teil toitu taaskuumutada kasutaja sisestatud kaalu alusel. Pärast toidukategooria ja kaalu programmeerimist valitakse taaskuumutamise kestus ja vajalik võimsustase automaatselt. Taaskuumutatava toidu võimalik kaal peab jääma vahemikku 100 g kuni 800 g.

1. Vajutage ooterežiimis olles nuppu **AUTO REHEAT**.
2. Valige **PÕRDNUPPU** pöörates taaskuumutatava toidu kaal.
3. Vajutage nuppu **START/QUICK START**.
4. Toiduvalmistamistsükli lõppemisel kuvatakse displeile „**End**“ ja 2 minuti vältel, või kuni mõnda nuppu vajutatakse või uks avatakse, kostub helisignaal.

* - Ainult grilliga mudelite puhul.

KÖÖGITAIMER

Ahjul on köögitaimer, loeb valitud ajast aega maha.

1. Vajutage ooterežiimis üks kord nuppu **TIME/SET CLOCK**.
2. Valige **PÖÖRDNUPPU** pöörates vajalik aeg. Pikim võimalik aeg on 95 minutit.
3. Kinnitamiseks vajutage nuppu **START/QUICK START**.
4. Displei loendab valitud ajast lõpuni jäänud aega maha.
5. Kui displei jõuab nulli, kostub helisignaal.

Köögitaimerit on võimalik kasutada ka küpsetusrežiimis. Selleks tegutsege toidu valmistamise ajal vastavalt järgnevalt kirjeldatud tegevustele. Pärast köögitaimeri aktiveerimist ilmub see 5 sekundiks displeile ja asendub seejärel toiduvalmistamise pöördlugemistaimeri näiduga. Taimeri uuesti vaatamiseks vajutage üks kord nuppu **TIME/SET CLOCK** – köögitaimer kuvatakse jälle 5 sekundiks ja seejärel taastub uuesti toiduvalmistamise pöördlugemine.

- Programmi **TIMER** tühistamiseks vajutage nuppu **STOP/ECO** ja displeile kuvatakse kellaeg.
- Pärast küpsetamistsükli käivitamist saab köögitaimerit käivitada, järgides eelkirjeldatud tegevusi.

ELEKTRIENERGIA SÄÄSTMISE FUNKTSIOON

See funktsioon võimaldab säästa elektrit ja aega, mil seadet ei kasutata. Ooterežiimis olles funktsiooni aktiveerimiseks vajutage 3 sekundit nuppu **STOP/ECO**: displei kustub ja ahi lülitub elektrit säästmise režiimi. Elektrit säästmise režiimi tühistamiseks vajutage mistahes nuppu või avage ja sulgege ahju uks.

VAIGISTAMISFUNKTSIOON

Vaigistamisnupuga on võimalik vaigistada kõiki mikrolaineahju tekitatavaid helisid. Vaigistamisrežiimi valimiseks vajutage üks kord nuppu **CHILD LOCK**: displeile kuvatakse 5 sekundiks kirje „**OFF**“. Vaigistamisrežiimis ei järgne nuppude vajutamisele mingeid helisid.

Vaigistamise funktsiooni väljalülitamiseks vajutage üks kord **CHILD LOCK** nuppu, ekraanil kuvatakse 5 sekundiks "**on**", mis näitab, et heli on uuesti sisse lülitatud.

Kui vaigistamisfunktsioon on aktiveeritud ja ahi lahutatakse vooluvõrgust, tühistatakse see vooluvarustuse taastumisel.

TURVALUKK

See on automaatne funktsioon, mille eesmärgiks on hoida ära ahju kasutamine järelvalveta laste poolt. Kui ooterežiimis oleva ahju puhul ei tehta ühe minuti jooksul ühtegi toimingut, lülitub ahi automaatselt turvalukurežiimi ja displeile kuvatakse „**Loc**“. Lukustatud olekus on kõik nupud deaktiveeritud. Mis tahes nupule vajutamisel ilmub displeile 5 sekundiks lukunäidik, tuletades kasutajale meelde, et esmalt tuleb turvalukk tühistada.

Turvaluku välja lülitamiseks avage ja sulgege lihtsalt mikrolaineahju uks. Nupud hakkavad uuesti toimima ja lukustusnäidik kustub.

LAPSELUKK

LAPSELUKU aktiveerimiseks vajutage nuppu **CHILD LOCK** 3 sekundit: kostub piiks ja displeile kuvatakse kirje „**Loc**“. Ahju LAPSELUKK on nüüd aktiveeritud. Selles režiimis näitab displei kellaega. Mistahes nupu vajutamisel või ukse avamisel kuvatakse displeile 5 sekundiks kirje „**Loc**“.

LAPSELUKU tühistamiseks vajutage nuppu **CHILD LOCK** 3 sekundit kuni kostub pikk piiks.

PUHASTAMINE JA HOOLDAMINE

- Puhastamise ajaks lülitage ahi välja ja eraldage toitejuhe pistikupesast.
- Hoidke ahju sisemus puhtana. Kui toidupritimed või maha läinud vedelikud jäävad ahju külgedele, üla- ja alaosa külge, pühkige seinad niiske lapiga puhtaks. Väga märdunud ahju korral võite kasutada nõrgatoimelist pesuvahendit. Vältige pihustite ja teiste tugevatoimeliste vahendite kasutamist. Need võivad ukse pinda määrada, tekitada triipe või tuhmistada välispinda.
- Ahju välispinda võib puhastada niiske lapiga. Ahju sees asuvate töötavate osade kahjustamise vältimiseks ei tohi lasta veel ventilatsiooniavadesse tungida.
- Pühkige ust ja akent mõlemalt poolt, uksetihendeid ja kõrvalasuvaid osi sageli niiske lapiga, et eemaldada sealt kõik toidupritimed ja -plekid.
- Ärge kasutage abrasiivseid puhastusvahendeid.
- Ärge kasutage puhastamiseks auru.
- Ärge laske juhtpaneelil saada märjaks. Puhastage pehme ja niiske lapiga. Juhtpaneeli puhastamisel jätke ahju uks lahti, et vältida seadme juhuslikku sisse lülitumist.
- Kui ahju ukse sisse või välispinna ümber koguneb auru, pühkige see pehme lapiga ära. See võib juhtuda, kui mikrolaineahju kasutatakse kõrge õhuniiskuse tingimustes. Tegemist ei ole rikkega.
- Saastumise ning võimaliku kaarlahenduse/kahjustuse vältimiseks tuleb pöördalust, pöördaluse tuge ja liitmikku regulaarselt puhastada. Selleks pühkige lihtsalt nõrgatoimelise puhastusvahendiga.
- Ahjust lõhnade eemaldamiseks pange ahju mikrolaineahjus kasutamiseks sobiv kauss veega, kuhu on lisatud ühe sidruni mahl koos koorega. Kuumatage mikrolainetega 5 minutit. Pühkige põhjalikult üle ja kuivatage pehme lapiga.
- Kui ahju valgusti läheb töökorrast, võtke abi saamiseks ühendust klienditeenindusega.
- Ahju tuleb puhastada regulaarselt ja kõik toidujäägid tuleb eemaldada. Ahju puhtana mitte hoidmine võib viia pindade kahjustumiseni, mis võib omakorda mõjuda negatiivselt seadme elueale ning tuua kaasa ohtliku olukorra.
- Ärge visake seadet ära koos tavalise olmeprügiga. Järgige seda tüüpi toote utiliseerimisel kehtivaid reegleid.

SOBIVAD AHJUNÕUD

1. Mikrolainetega kasutamiseks enim sobivad nõud on mikrolainetele läbipaistvad ja lasevad energial läbi nõu toitu kuumutama pääseda.
2. Mikrolained ei suuda läbistada metalli, mistõttu ei saa kasutada nõusid, millel on metallist äärised või kaunistused.
3. Ärge kasutage mikrolainetega valmistamisel vanapaberist valmistatud tooteid, kuna need võivad sisaldada väikeseid metalliosi, mis võivad põhjustada sädemeid ja/või süttimist.
4. Soovitatav on eelistada neljakandilistele nõudele ovaalseid või ümmargusi, kuna nurkades kipub toit üleküpsema.
5. Esiletungivate alade üleküpsemise vältimiseks võib kasutada alumiiniumfooliumi ribasid. Ärge kasutage neid aga liiga palju ja hoidke fooliumi ja ahju siseseina vahel vähemalt 2,5 cm vaba ruumi.

Järgnev loend on üldine juhised sobivate toidunõude valimisel.

Toidunõu	Mikrolaine- tega ohutu	Märku- sed	Märkus
Pruunistamisnõud	✓ / ✗	✗	Pidage alati kinni tootjate juhistest. Ärge ületage antud kuumutusaeagu. Olge väga ettevaatlikud, kuna need nõud võivad muutuda väga kuumaks.
Portselan ja keraamika	✓ / ✗	✗	Portselan, savist nõud ja glasuuritud savinõud on tavaliselt kasutamiseks sobivad, välja arvatud metallist kaunistustega nõud.
Kuumuskindel klaas	✓	✓	Veenduge alati, et vastav klaasnõu sobib mikrolaineahjus kasutamiseks.
Mittekuumuskindel klaas	✗	✗	
Kuumuskindel keraamika	✓	✓	Veenduge, et keraamiline materjal pole liiga paks ega liiga suure mineraalide sisaldusega.
Mikrolainekindlad plastnõud	✓	✗	Veenduge alati, et plastist toidunõu on sobiv mikrolaineahjus kasutamiseks.
Paberkäterätt	✓ / ✗	✗	Kasutage ainult mikrolaineahjus kasutamiseks soovitatud paberkäterätte.
Klaasnõud, näiteks Pyrex®	✓ / ✗	✓	Ettevaatlik tasub olla õhukeste klaasnõude kasutamisel, kuna need võivad järsu kuumutamise korral puruneda või möraneda.
Metallalus	✗	✓	Mikrolainetega valmistamisel ei ole soovitatav kasutada metallist nõusid, kuna see võib tuua kaasa süttimise.
Metallrest	✗	✓	Mikrolainetega valmistamisel ei ole soovitatav kasutada metallist nõusid, kuna see võib tuua kaasa süttimise.
Alumiiniumfoolium Fooliumnõud	✓ / ✗	✓	Väikeseid alumiiniumfooliumi tükke saab kasutada toidu kaitsmiseks ülekuumenemise eest. Kaarleegi vältimiseks hoidke foolium vähemalt 2,54 cm kaugusel ahju seintest. Fooliumnõusid ei soovitata, kui nende kasutamist ei näe just tootja ette (näiteks Microfoil®); järgige tähepanelikult toodud juhiseid.
Toidukile	✓	✗	Ei tohiks puutuda vastu toitu ning auru välja laskmiseks tuleb kile läbistada.
Plastik/polüstüreen, näiteks kiirtoidu pakendid	✓	✗	Tasub olla ettevaatlik, kuna mõned nõud koolduvad, sulavad või muudavad värvi kõrgetel temperatuuridel.
Külmutus-/küpsetuskotid	✓	✗	Tuleb auru väljalaskmiseks läbistada. Veenduge, et kotid on mikrolainetega kasutamiseks sobilikud.
Pabertaldrikud/tassid ja köögipaber	✓	✗	Ärge kasutage plast- või metallkinnitisi, kuna need võivad sulada või metalli kaarleegi tõttu süttida.
Õlgedest ja puidust nõud	✓	✗	Kasutage ainult soojendamiseks või niiskuse imamiseks. Tähepanelik tasub olla ülekuumenemise suhtes, kuna nõud võivad süttida.
Ümbertöödeldud paber ja ajalehepaber	✗	✗	Ärge jätke ahju nende materjalide kasutamisel järelevalveta, kuna ülekuumenemine võib tuua kaasa süttimise. Võib sisaldada metalliosi, mis võivad põhjustada kaarleeki ning viia süttimiseni.



HOIATUS: toidu kuumutamisel plastik- või paberpakendis tuleb võimaliku süttimisohtu tõttu ahju jälgida.

MÄRKUS: ärge jätke töötavat ahju järelevalveta.

NÕUANDED MIKROLAINETEGA TOIDUVALMISTAMISEKS

Mikrolained küpsetavad toitu kiiremini, kui tavaline valmistamine. Seetõttu on heade tulemuste saavutamiseks vajalik pidada kinni kindlatest tehnikatest. Paljud järgnevatest tehnikatest on sarnased tavalise toiduvalmistamise juures kasutatavatega.



HOIATUS! Vedelikke ja toite ei tohi kuumutada suletud anumates või kaanetatud purkides, kuna anuma sees tekib rõhk, mis võib tuua kaasa anuma/purgi plahvatamise.

NÕUANDED TOIDUVALMISTAMISEKS

- Ärge jätke töötavat ahju järelevalveta.
- Veenduge, et kööginõud sobivad mikrolaineahjus kasutamiseks.
- Kasutage ainult mikrolainetega valmistamiseks mõeldud popkorni selleks ettenähtud pakendis (järgige valmistaja juhiseid). Ärge kasutage õli, kui valmistaja ei ole seda just spetsiifiliselt ette näinud ning ärge valmistage popkorni kauem, kui ette nähtud.



HOIATUS! Kui te valmistate soovitud aegadest kauem või kasutate liiga kõrgeid võimsustasemeid, võib toit ülekuumeneda, ära kõrbedada ning äärmuslikel juhtudel isegi süttida ning ahju kahjustada.

Paigutus

Asetage toidu paksemad osad nõude välispidisele äärelle, nt kanakoivad.

Nõude välispidisel äärel asuvad toidud saavad keskel asuvate toitudega võrreldes rohkem energiat, seega küpsevad kiiremini.

Kate

Mikrolainetega valmistamise ajal on teatud toite kasulik kaanega katta.

Kasutage mikrolaineahjule sobivat õhuavadega kilet või kaant.

Läbistamine

Kesta, naha või koorega toidud (näiteks kartulid, kala, kana, vorstid) tuleb enne valmistamist või taaskuumutamist mitmest kohast läbi torgata, kuna toidu sisse koguneda võiv aur või põhjustada toidu plahvatamise.

MÄRKUS: mune ei tasu mikrolaineahjus kuumutada, kuna need võivad isegi pärast valmistamist, st pärast keetmist, praadimist jms, plahvatada.

Segamine, ümber pööramine ja ringi paigutamine

Ühtlase valmistamise jaoks on vajalik toitu valmistamise ajal segada, pöörata ja ümber paigutada. Segage ja paigutage toitu ümber alati väljastpoolt sissepoole.

Laske seista

Seisuaeg on valmistamise järel oluline, kuna see võimaldab kuumusel ühtlaselt üle toidu levida.

Toidu omadused	
Koostis	Suure rasva- või suhkrusisaldusega toidud (näiteks jõulupuding, vormiroad) vajavad lühemat kuumutusaega. Olge ettevaatlik, kuna ülekuumutamine võib tekitada süttimisohu. Kondid toidus juhvivad kuumust, mis võimaldab toidul kiiremini küpseda. Olge ettevaatlik ja veenduge, et toit oleks ühtlaselt küpsenud.
Tihedus	Toidu tihedus mõjutab valmistamiseks vajaminevat aega. Kerged ja poorsed toiduained, nagu leib ja koogid, valmivad kiiremini, kui rasked ja tihedad toidud, näiteks praed ja hautised.
Kogus	Mikrolainete hulk ahjus jääb samaks olenemata, kui palju toitu korraga valmistatakse. Seetõttu tuleb toidu koguse suurenemisel suurendada ka valmistamiseks kuluvat aega (näiteks valmivad neli kartulit kauem, kui kaks).
Suurus	Väikesed toidud ja väikesed toidutükid valmivad kiiremini, kui suured, kuna mikrolained saavad läbistada toitu kõikidest suundadest kuni toidu keskmeni. Ühtlaseks valmimiseks tehke kõik toidutükid ühesuuruseks.
Kuju	Ebaühtlase kujuga toiduained, näiteks kana rinnatükid või koivad, küpsevad nende paksematest kohtadest aeglasemalt. Ühtlase valmimise tagamiseks asetage paksemad osad nõu äärtesse, kus nad saavad rohkem energiat. Ümara kujuga toidud valmivad mikrolainetega valmistamisel ühtlasemalt, kui kandilise kujuga toidud.
Toidu temperatuur	Toidu algne temperatuur mõjutab valmistamiseks kuluvat aega. Jahutatud toitade valmistamine võtab rohkem aega, kui toatemperatuuril olevate toitade valmistamine. Toidunõu temperatuur ei pruugi olla toidu või joogi temperatuuriga sama. Kuumuse ja auru välja laskmiseks lõigake täidistega toidud (näiteks moosipallid) lahti.



HOIATUS! Nägu ja käed. Kandke toitu või toidunõusid ahjust välja võttes ahjukindaid. Hoidke end ahju ukse avamisel eemale, et aur ja kuumus saaksid hajuda. Katteid (näiteks kattetiket) eemaldades, praekotte või popkornipakke avades suunake aur näost ja kätest eemale.



HOIATUS! Kontrollige toidu ja joogi temperatuuri ning segage neid enne serveerimist. Eriti tähelepanelik tuleb olla väikelastele, lastele ja vanuritele toitu serveerides. Põletuste vältimiseks tuleb toidupudelite ja lapsesöögipurkide sisu segada või loksutada ning enne tarbimist tuleb kindlasti temperatuuri kontrollida.

NÕUANDED SULATAMISEKS

Mikrolaineahju kasutamine on kiireim võimalik sulatamisviis. Sulatamine on väga lihtne, kuid põhjaliku sulatamise tagamiseks on vaja pidada kinni järgmistest juhistest.

- Eemaldage enne sulatamist kõik pakendid ja ümbrised.
- Kasutage sulatamiseks mikrolainete võimsustasemeid P-20 kuni P-40.
- Järgnevalt on jagatud täpsemat teavet.

Paigutage ümber

Nõude äärel asetatud toidud sulavad kiiremini, kui keskel asuvad toidud. Seetõttu on oluline sulatamise ajal toitu kuni 4 korda ümber paigutada.

Liigutage tihedalt kokku surutud tükid väljastpoolt sissepoole ja paigutage kattuvad osad ümber.

See tagab, et kõik toiduosad sulavad ühtlaselt.

Eraldage

Külmikust välja võttes võivad toidutükid olla üksteise külge jäänud. Oluline on toit sulatamise ajal võimalikult peatselt üksteisest eraldada

(näiteks peekoniviilud, kanafileed).

Katke kinni

Mõned sulatatavad osad võivad muutuda soojaks. Selleks, et need ei muutuks veel soojemaks ega hakkaks küpsema, tuleb sellised alad, näiteks kanakoivad ja -tiivad, katta kinni väikeste fooliumitükkidega, mis peegeldavad mikrolained eemale.

Laske seista

Seismisaeg on vajalik toidu põhjaliku üles sulamise tagamiseks.

Mikrolaineahjust välja võtmisel ei ole sulamine veel lõppenud. Toit peab kinni kaetult veel mõne aja seisma, et tagada ka toidu sisemuse täielik sulamine.

Pöörake ümber

Toitu tuleb sulatamise käigus umbes 4 korda ümber pöörata.

Põhjaliku sulatamise jaoks on see väga oluline.

NÕUANDED SOOJENDAMISEKS

Toitude taaskuumutamisel järgige alljärgnevat juhiseid ja nõuandeid, et tagada toidu põhjalik üles kuumenemine enne selle serveerimist.

Taldrikul olevad toidud

Eemaldage kõik linnuliha- või lihatükid ning kuumutage need eraldi.

Asetage väiksemad toidutükid taldriku keskele, suuremad ja tihedamad toiduosad aga taldriku servale. Katke ventileeritud mikrolaine toidukilega kinni ning kuumutage võimsusega P-50; poole kuumutamise järel segage/ paigutage ümber.

MÄRKUS: veenduge enne serveerimist, et toit on põhjalikult kuumenenud.

Viilutatud liha

Katke ventileeritud mikrolaine toidukilega kinni ning kuumutage võimsusega P-60. Ühtlase kuumenemise tagamiseks paigutage vähemalt üks kord ümber.

MÄRKUS: veenduge enne serveerimist, et liha on põhjalikult kuumenenu.

Linnulihatükid

Asetage kõige paksemad osad nõu välisäärele, katke ventileeritud mikrolaine toidukilega kinni ning kuumutage võimsusega P-70.

Poole kuumutamise järel pöörake toit ümber.

MÄRKUS: veenduge enne serveerimist, et linnuliha on põhjalikult kuumenenud.

Pajaroad

Katke ventileeritud mikrolaine toidukilega kinni ning kuumutage võimsusega P-50.

Segage sageli ühtlase kuumutamise tagamiseks.

MÄRKUS: veenduge enne serveerimist, et toit on põhjalikult kuumenenud.

Taaskuumutamisel parimate tulemuste saavutamiseks valige toidutüübile sobiv asjakohane mikrolainete võimsustase, näiteks köögiviljakaussi või kuumutada võimsusega P-100, samas kui lasanjet, mis sisaldab koostisaineid, mida ei ole võimalik segada, tuleb kuumutada võimsusega P-40.

MÄRKUSED

- Võtke toit enne taaskuumutamist foolium- või metallnõudest välja.
- Taaskuumutamise aega mõjutavad toidu kuju, sügavus, kogus ja temperatuur nagu ka nõu enda suurus, kuju ja materjal.



HOIATUS! Ärge kuumutage vedelikke kitsaakaelalistes nõudes, kuna see võib tipneda kuumutamisel sisu anumast välja purskamise ning põletuste tekkimisega.

- Ülekuumenemise ja süttimise vältimiseks tuleb suure suhkru- ja rasvasisaldusega toitude taaskuumutamisel olla äärmiselt tähelepanelik.
- Ärge kuumutage õli või fritüürimisrasva, kuna see võib tuua kaasa ülekuumenemise ja süttimise.
- Konservieritud kartuleid ei tohi mikrolaineahjus kuumutada; tegutsuge vastavalt tootja poolsetele pakendil toodud juhistele.



HOIATUS! Põletuste vältimiseks tuleb toidupudelite ja lapsesöögipurkide sisu segada või loksutada ning enne tarbimist tuleb kindlasti temperatuuri kontrollida.

TÖRKETUVASTUS

Kui teile tundub, et ahi ei tööta korralikult, saate te enne tehniku väljakutsumist teostada ise mitmeid lihtsaid kontrollimisi. Nii ei ole lihtsamate rikete puhul vaja teha mittevajalikke kõnesid.

Tehke järgmine lihtne kontrollimine:

Asetage pool tassi vett ahju põhjale ja sulgege uks. Programmeerige ahi küpsetame 1 minut mikrolainete võimsustaseme P-100 juures.

1. Kas ahju valgusti süttib ahju töötamise ajal?
2. Kas jahutusventilaator töötab? (Asetage kontrollimiseks käsi ventilatsioonivade kohale.)
3. Kas 1 minuti möödudes kostub helisignaal?
4. Kas vesi tassis on kuum?

Kui vastus kõigile küsimustele on „Ei“, kontrollige, kas ahi on korralikult vooluvõrku ühendatud ja kaitse ei ole läbi põlenud. Kui mõlemad on korras, uurige lähemalt järgnevat tõrkekorvaldustabelit.



HOIATUS! Ärge reguleerige, parandage ega tehke ahjule muudatusi iseseisvalt. Hooldus- või parandustööde teostamine muu isiku kui SHARP-i koolitatud inseneri poolt on ohtlik. See on oluline, kuna tegevuste käigus võib olla vaja eemaldada katted, mis kaitsevad kasutajat mikrolaineenergia eest.

- Töötamise ajal kaitseb uksetihend mikrolainete väljapääsemise eest, kuid see ei ole õhukindel tihend. Ukse ümber veetilkade nägemine või õrna või sooja õhu liikumine on tavaline nähe. Suure niiskussisaldusega toidust tuleb auru, mis kondenseerub ukse sisepinnal ja võib ahjust välja tilkuda.
- Remondid ja muutmised: ärge kasutage ahju, kui see ei tööta korralikult.
- Väliskorpus ja juurdepääs valgustile : ärge eemaldage väliskatet. See on väga ohtlik, kuna seadme sees on kõrgepingega pingestatud detaile. Nende puudutamine võib olla surmav. Teie ahjul puudub kate valgustile juurdepääsemiseks. Lambi töökorrasst minemise korral ärge üritage lampi iseseisvalt parandada vaid pöörduge ametlikku SHARP-i teenindusse.

TÖRGETE KÕRVALDAMISE TABEL

KÜSIMUS	VASTUS
Ukse ümber on tunda õhu liikumist.	Ahju töötamise ajal liigub õhk ahju sisemuses. Ahju ukse tihend ei ole õhutihe ja osa õhku võib ukse vahelt välja pääseda.
Ahju tekkitab kondensaad, mis võib uksest välja tilkuda.	Ahju õõnsus on tavaliselt jahedam kui valmistatav toit ja toiduvalmistamisel tekki aur kondenseerub jahedamale pinnale. Auru kogus sõltub valmistatava toidu veesisaldusest. Mõnedel toitudel, nagu näiteks kartulitel on kõrge veesisaldus. Ukseklaasi vahele jäänud niiskus peaks mõne tunni möödudes hajuma.
Valmistamise ajal on ahju sisemuses näha sademeid või kaarleeki.	Kaarleegid ilmuvad siis kui metallist objekt satub toiduvalmistamise ajal ahju sisepinna lähedusse. See võib ahju sisemuse pinna karedaks muuta, ega peaks muul viisil ahju kahjustama.
Kaarduivad kartulid.	Veenduge, et kartulitelt on eemaldatud kõik „silmad“ ja et kartulikoore oleks läbitatud. Asetage kartulid otse pöördalusele, kuumuskindlale vorminõule vms-le.
Ahju ainult grillrežiimis kasutamisel võib märgata, et kuumutuselement ei tööta kogu aeg.	Seda seetõttu, et grillelement lülitub ahjutemperatuuri määratud tasemel hoidmiseks sisse ja välja.
Kombineeritud režiimis grilli kasutamisel tundub, et grill pole sisse lülitatud.	Kombineeritud küpsetusrežiimi (mikrolained ja grill) ajal lülitub ahi kahe funktsiooni vahel. Mikrolained ja grill ei lülitu sisse üheaegselt.
Nupu START/QUICK START vajutamisel ei hakka ahi tööle.	Kontrollige, kas uks on korralikult suletud.
Ahi küpsetab liiga aeglaselt.	Veenduge, et valmistamiseks on valitud õige võimustase.
Ahjust kostub müra.	Mikrolaineenergia sisse ja välja lülitamise käigus kostub ümisevat heli; tegemist on normaalse nähtusega.
Pärast toiduvalmistamise lõppu kostub ahjust heli või siis tundub, et ahi töötab jätkuvalt edasi.	Pärast toiduvalmistamise lõppu võib ventilaator jääda ahju jahutamiseks veel mitmeks minutiks tööle. Tegemist on normaalse protsessiga.
Väliskorpus on kuum.	Korpus võib puudutamisel kuum olla – hoidke lapsed seadmest eemal.
Nupu vajutamisel ilmub displeile kirje „LoC“.	Pärast 30 sekundit lülitub ahi lukustatud olekusse ja nupud lakkavad toimimast. Avage ja sulgege uks ning nupud hakkavad uuesti normaalselt tööle. Samuti kontrollige, et seade ei oleks lukustatud olekus.
Displeile on kuvatud kirje „Fail“ (Rike) ja iga minuti möödudes kostub piiks.	Kui juhtpaneeli nuppe vajutatakse pikalt kauem kui 1 minut, siis täpselt nii juhtubki. Lahutage seade vooluvõrgust, oodake mõni minut ja ühendage seejärel uuesti tagasi.
Ahi teeb iga 30 sekundi järel piiksu.	Kui toiduvalmistamine on lõppenud ja ust pole avatud, kostub iga 30 sekundi möödudes piiks. Selle vaigistamiseks avage ja sulgege seadme uks.

ENNE ABI SAAMISEKS HELISTAMIST

Anne teeninduse kutsumist kontrollige palun järgmisi punkte.

- Veenduge, et ahi on korralikult vooluvõrku ühendatud. Kui ei ole, eemaldage pistik pesast, oodake 10 sekundit ja ühendage pistik tagasi pesasse.
- Veenduge, et vooluringi kaitse pole läbi põlenud või rakendunud. Kui need tunduvad toimivat korralikult, testige mõne teise seadmega pistikupesaga.
- Kontrollige, kas võimsuse ja taimeriga juhtnupud on õigesti keeratud.
- Veenduge, et uks on korralikult suletud ja ukse turvalukusüsteem rakendunud. Vastasel juhul ei hakka mikrolaineenergia ahju voogama.

KUI ÜKSKI EELTOODUTEST OLUKORDA EI PARANDA, VÕTKE ÜHENDUST KVALIFITSEERITUD TEHNIKUGA. ÄRGE ÜRITAGE AHJU ISESEISVALT REGULEERIDA VÕI PARANDADA.



Huomio:

Tuotteeseesi on merkitty tämä symboli. Se tarkoittaa, ettei käytettyjä sähkö- ja elektroniikkalaitteita saa sekoittaa talousjätteisiin. Näille tuotteille on erillinen keräysjärjestelmä.



www.sharpconsumer.com/contact/



www.sharpconsumer.com/support/



www.sharpconsumer.com/documents-of-conformity/

A. Tietoja hävittämisestä käyttäjille (yksityiset kotitaloudet)

1. Euroopan unionissa

Huomio: Jos haluat hävittää tämän laitteen, älä vie sitä tavalliseen rosкасäiliöön!

Käytettyjä sähkö- ja elektroniikkalaitteita täytyy käsitellä erikseen niiden asianmukaista käsittelyä, palautusta ja kierrätystä koskevan lainsäädännön mukaisesti.

EU:n jäsenvaltioiden täytäntöönpanon jälkeen yksityiset kotitaloudet jäsenvaltioissa voivat palauttaa käytetyt sähkö- ja elektroniikkalaitteet määrättyihin keräyspisteisiin ilmaiseksi*.

Joissakin maissa* paikallinen jälleenmyyjä voi myös ottaa takaisin vanhat laitteesi veloitusetta, jos ostat samanlaisen uuden laitteen.

*) Pyydä lisätietoja paikallisilta viranomaisilta.

Jos käytetyissä sähkö- tai elektroniikkalaitteissa käytetään paristoja tai akkuja, hävitä nämä tuotteet erikseen etukäteen paikallisten säädösten mukaisesti. Kun hävität tämän tuotteen asianmukaisesti, autat varmistamaan, että jätteet käyvät läpi tarpeellisen käsittelyn, hyödyntämisen ja kierrätyksen. Näin estät mahdolliset kielteiset vaikutukset ympäristölle ja ihmisten terveydelle, joita saattaa olla seuraamuksena jätteiden väärästä käsittelystä.

2. Muissa maissa EU:n ulkopuolella

Jos haluat hävittää tämän tuotteen, ota yhteys paikallisiin viranomaisiin ja kysy asianmukaista hävittämistapaa.

Sveitsi: Käytetyt sähkö- ja elektroniikkalaitteet voidaan palauttaa maksutta jälleenmyyjälle, vaikka et ostaisi uutta tuotetta. Muita keräyspisteitä on lueteltu verkkosivustoilla www.swico.ch tai www.sens.ch.

B. Lisätietoja hävittämisestä yrityskäyttäjille

1. Euroopan unionissa

Jos tuote on ollut yrityskäytössä ja haluat hävittää sen:

Ota yhteys SHARP-jälleenmyyjään, joka antaa lisäohjeita tai ottaa tuotteen takaisin. Sinulta saatetaan veloittaa takaisinotosta tai kierrätyksestä aiheutuneet kustannukset. Pienet tuotteet (ja pienet jätemäärät) voidaan ottaa takaisin paikallisissa keräyspisteissä.

Espanja: Ota yhteyttä käytössä olevaan keräysjärjestelmään tai paikallisiin viranomaisiin, ja pyydä näitä ottamaan takaisin käytetyt laitteet.

2. Muissa maissa EU:n ulkopuolella

Jos haluat hävittää tämän tuotteen, ota yhteys paikallisiin viranomaisiin ja tiedustele asianmukaista hävittämistapaa.

Saadaksesi huolto- ja korjaustietoja mene osoitteeseen www.sharpconsumer.com/contact. Saadaksesi takuuoikeuksiasi koskevaa tietoa mene osoitteeseen www.sharpconsumer.com/support tai ota yhteyttä jälleenmyyjään, jolta ostit tuotteen.

Vaatimustenmukaisuusvakuutukset ovat saatavilla osoitteesta

www.sharpconsumer.com/documents-of-conformity/

VAROTOIMET MAHDOLLISELLE MIKROALTOENEGIALTA SUOJAUTUMISELLE

1. Älä yritä käyttää tätä uunia luukku auki, koska se voi johtaa haitalliseen mikroaltoenergialle altistukseen. On tärkeää olla poistamatta ja peukaloimatta turvalukituksia.
2. Älä laita mitään uunin etupuolen ja luukun väliin tai anna lian tai pesuainejäämien kertyä tiivisteisiin.
3. Älä käytä uunia, jos se on vahingoittunut. On tärkeää, että uunin luukku sulkeutuu asianmukaisesti ja ettei luukussa, saranoissa, salvoissa tai luukun tiivisteissä ja tiivistepinnoissa ole vaurioita.
4. Älä yritä korjata tai säätää uunia.

SISÄLTÖ

TÄRKEITÄ TURVALLISUUSOHJEITA.....	3
ASENNUS.....	11
RADIOHÄIRIÖT.....	12
MAADOITUSOHJEET.....	12
TEKNISET TIEDOT.....	12
UUNI JA LISÄVARUSTEET.....	13
SÄÄTÖPANEELI.....	14
ENNEN UUNIN KÄYTTÖÄ.....	15
KELLON ASETTAMINEN.....	15
MIKROALOILLA KYSENNYS.....	16
PIKÄKÄYNNISTYS.....	17
GRILLIN KÄYTTÖ*.....	17
MIKROALTO + GRILLI*.....	18
AUTOM. VALIKKO.....	19
AUTOMAATTINEN SULATUS.....	22
AUTOMAATTINEN LÄMMITYS*.....	22
AJASTIN.....	23
VIRRANSÄÄSTÖTOIMINTO.....	23
MYKISTYSTOIMINTO.....	24
TURVALUKKO.....	24
LAPSILUKKO.....	24
HOITO JA PUHDISTUS.....	25
SOVELTUVAT KEITTOASTIAT.....	26
MIKROSSA KYSENTÄMISEN VINKIT.....	27
SULATUSOHJEITA.....	29
RUUANLÄMMITYSOHJEITA.....	30
VIANMÄÄRITYS.....	31
ENNEN KUIN PYYDÄT APUA.....	33

* - Vain malleissa, joissa on grilli.

TÄRKEITÄ TURVALLISUUSOHJEITA

LUE HUOLELLISESTI JA SÄILYTÄ MYÖHEMPÄÄ TARVETTA VARTEN

Tulipalon vaaran välttäminen. Mikroaaltouunia ei saa jättää päälle ilman valvontaa. Liian korkea teho, tai liian pitkä kypsennysaika saattaa aiheuttaa ruoan ylikuumenemisen, joka johtaa tulen syttymisen.

Tämä uuni on rakennettu käytettäväksi vain pöydän päällä. Se ei sovellu integroitavaksi keittiölaitteeksi. Uunia ei saa laittaa kaappiin. Virtalähteen on oltava kätevästi ulottuvilla, jotta virtajohto on helppo irrottaa vaaratilanteessa.

AC-käyttöjännitteen on oltava 230-240 V, 50 Hz, lisäksi vähintään 10 A jakelujohtosulake, tai vähintään 10 A virrankatkaisin. Käytettävissä on oltava ainoastaan tätä laitetta varten tarkoitettu erillinen virtapiiri.

Älä sijoita uunia lämmönlähteiden läheisyyteen, esim. tavallisen uunin lähelle. Älä myöskään asenna uunia alueelle, jossa on korkea kosteuspitoisuus tai johon kosteutta saattaa kerääntyä. Älä säilytä äläkä käytä uunia ulkotiloissa.

Jos havaitset savua, kytke uuni pois päältä tai irrota virtajohto pistorasiasta ja pidä uunin luukku kiinni, jotta saat sammutettua liekit.

Käytä ainoastaan mikroaaltouunin kestäviä astioita ja välineitä. Tarkista, että käytettävät välineet sopivat käytettäväksi mikroaaltouuneissa.

Pidä uunia silmällä, jos lämmität ruokaa muovista tai paperista valmistetuissa astioissa, sillä ne saattavat syttyä.

Puhdista aaltoputken suoja ja uunin sisäosa. Ne on pidettävä kuivina ja rasvattomina. Kerääntynyt rasva saattaa ylikuumeta ja savuta tai syttyä tuleen.

Älä sijoita syttyviä materiaaleja lähelle uunia tai tuuletusaukkoja. Älä tuki tuuletusaukkoja.

Poista ruoasta ja pakkauksista kaikki metalliset tiivisteet, metalliset sulkimet tms., metallipintojen kipinäointi voi aiheuttaa tulipalon.

Älä käytä mikroaaltouunia uppopaistoöljyn kuumentamiseen. Lämpötilaa ei voi säätää ja öljy saattaa syttyä tuleen.

Käytä popcornin valmistamiseen vain erityisiä mikropopcorn-pakkauksia.

Älä säilytä uunissa ruokaa tai muita tavaroita.

Tarkista säädöt uunin käynnistämisen jälkeen varmistaaksesi, että uuni toimii halutulla tavalla.

Älä jätä uunia vahtimatta, kun se on toiminnassa.

Älä jätä uunia vahtimatta, kun se on toiminnassa. Ole erityisen varovainen valmistaessasi tai lämmittäessäsi ruokia, joissa on paljon rasvaa tai sokeria (esim. makkarat, piirakat, jouluvanukas, jne.). Katso vastaavat vihjeet käyttöoppaasta.

Tapaturmariskin välttäminen. VAROITUS:

Älä käytä vahingoittunutta tai viallisesti toimivaa uunia. Tarkista seuraavat seikat ennen käyttöä:

- a) Varmista, että luukku sulkeutuu kunnolla ja että se on ehjä ja suorassa.
- b) Varmista, etteivät saranat ja turvasalvat ole rikki tai irti.
- c) Varmista, etteivät luukun tiivisteet ja tiivistepinnat ole vaurioituneita.
- d) Varmista, ettei uunin sisätilassa ja luukussa ole lovia tai kuhmuja.
- e) Varmista, että virtajohto ja pistotulppa ovat ehjiä.

Jos luukku tai luukun tiivisteet ovat viallisia, laitetta ei saa käyttää, ennen kuin pätevä korjaaja on korjannut sen.

Älä koskaan säädä, korjaa tai muokkaa uunia itse. Muiden kuin ammattilaisten on vaarallista suorittaa sellaisia huolto- tai korjaustoimenpiteitä, joiden yhteydessä mikroaaltoenergialta suojaava suojus irrotetaan.

Älä käytä uunia luukku auki tai muuta luukun turvasalpoja millään tavalla. Älä käytä uunia, jos luukun tiivisteiden ja tiivistuspintojen välillä on esine.

Älä anna rasvan tai lian kerääntyä luukun tiivisteisiin ja läheisiin osiin. Puhdista uuni säännöllisin väliajoin ja poista kaikki ruuantähteet.

Noudata ohjeita "Hoito ja puhdistus". Pidä uuni puhtaana, sillä muuten uuni saattaa aiheuttaa pintojen vioittumisen. Tämä saattaa lyhentää laitteen käyttöikää ja saada mahdollisesti aikaan vaarallisia tilanteita.

Henkilöiden joilla on TAHDISTIN pitäisi keskustella lääkärin tai tahdistimen valmistajan kanssa mikroaaltouuneja koskevista varotoimenpiteistä.

Sähköiskun vaaran välttäminen.

- Ulkovaippaa ei saa missään olosuhteissa irrottaa.
- Älä koskaan roiskuta mitään tai aseta esteitä luukun lukkoaukon tai tuuletusaukkojen päälle. Mikäli niiden päälle kuitenkin roiskuu jotakin, kytke uuni pois päältä ja irrota pistotulppa välittömästi, ja soita valtuutetulle SHARP-huoltajalle.
- Älä upota virtajohtoa tai pistotulppaa veteen tai muuhun nesteeseen.
- Älä anna virtajohdon roikkua pöydän tai työtason reunan yli.
- Pidä virtajohto poissa kuumenevilta pinnoilta, myös uunin takaosasta.
- Pidä laite ja sen johto pois alle 8-vuotiaiden lasten ulottuvilta.
- Älä yritä vaihtaa uunin lamppua itse. Ainoastaan SHARP:in

valtuuttama sähköasentaja saa vaihtaa lampun. Mikäli uunin lamppu ei toimi, ota yhteyttä jälleenmyyjään tai valtuutettuun SHARP-huoltoon.

- Mikäli virtajohto vioittuu, se on vaihdettava. Vaihdon voi suorittaa ainoastaan valtuutettu SHARP-huoltaja.

VAROITUS: Nesteitä ja muita ruokia ei saa kuumentaa suljetuissa pakkauksissa, koska ne saattavat räjähtää. Mikroaaltouunissa kuumennettavat juomat saattavat kiehua yli lämmityksen päätyttyä, joten ole erityisen varovainen juoma-astiaa käsitellessäsi. Räjähdyksen tai äkillisen kiehumisen välttäminen:

Älä koskaan käytä suljettuja pakkauksia tai rasioita. Avaa pakkaukset ja poista kannet ennen käyttöä. Suljetut pakkaukset saattavat räjähtää kohonneen paineen takia vielä senkin jälkeen kun uuni on kytketty pois päältä. Käsittele kuumennettavia nesteitä varoen. Käytä leveäsuisia astioita, jotta ilmakuplat pääsevät poistumaan.

Älä koskaan kuumenna nesteitä kapeasuissa astioissa kuten tuttipulloissa, sillä tämä saattaa aiheuttaa kuumennetun sisällön äkillisen purkautumisen ja palovammojen vaaran.

Näin vältät kiehuvan nesteen äkillisen purkautumisen ja palovammavaaran:

1. Älä säädä liian pitkää kuumennusaikaa.
2. Sekoita nestettä ennen kuumennusta/uudelleenlämmitystä.
3. Nesteeseen kannattaa laittaa lasipuikko tai jokin vastaava (ei metallinen) uudelleenlämmityksen ajaksi.
4. Anna nesteen tasaantua noin 20 sekuntia uunissa kuumennuksen loputtua äkillisen kiehahtamisen välttämiseksi.

Älä kypsennä kuorellisia kananmunia. Myöskään kokonaisia kovaksikeitettyjä kananmunia ei pitäisi kuumen-

taa mikroaaltouunissa, koska ne saattavat räjähtää vielä kypsennysajan päätyttyäkin. Mikäli haluat kypsentää tai kuumentaa kananmunia, joita ei ole sekoitettu, pistele keltuaisia ja valkuaisia. Kuori ja viipaloi kovaksikeitetyt kananmunat ennen mikroaaltouunissa kuumentamista.

Pistele reikiä kuorellisiin ruokiin kuten perunoihin, makkaroihin ja hedelmiin, jotta ne eivät räjähtäisi kypsentämisen aikana.

VAROITUS: Tuttipulloja ja vauvanruokapurkkeja on ravistettava tai sekoitettava ja niissä olevan juoman/ruoan lämpötila on tarkistettava, ennen kuin ne annetaan vauvalle, jotta estettäisiin palovammat. Käytä palovammojen välttämiseksi patalappuja tai -kintaita kun otat ruoan uunista. Palovammariskin välttäminen:

- Avaa aina rasiat, popcornpussit, paistopussit tms., niin että kuuma höyry ja äkillinen kiehahtaminen ei pääse polttamaan käsiäsi tai kasvojasi. Välttääksesi palovammoja tarkista aina ruoan lämpötila ja sekoita ennen tarjoilua. Kiinnitä lisäksi erityistä huomiota pikkuvauvoille, lapsille tai vanhukseille tarjottavan ruoan ja juoman lämpötilaan. Käytettävät osat saattavat kuumua käytössä. Pidä pienet lapset etäällä uunista.
- Astian lämpötila ei kerro ruoan tai juoman todellista lämpötilaa; tarkista aina ruoan lämpötila
- Pysyttele aina loitomalla uunin luukkaa avatessasi välttyäksesi ulospurkautuvan höyryn ja kuumuuden aiheuttamilta palovammoilta.
- Viipaloi aina täytetyt ja paistetut ruoat kuumennuksen jälkeen höyryn vapauttamiseksi ja palovammojen välttämiseksi.
- Pidä lapset etäällä luukusta, jotteivät he polta itseänsä.

VAROITUS: Anna 8-vuotiaiden ja tätä vanhempien lasten käyttää uunia ilman valvontaa vain, mikäli riittävät ohjeet

on annettu ja he osaavat käyttää uunia turvallisesti ja ymmärtävät varomattoman käytön vaarat.

Kun uunia käytetään GRILLI-, YHDISTELMÄGRILLI-, KIERTOILMA- ja YHDISTELMÄKIERTOILMA-tiloissa (tila mallin mukaan), lapset saavat käyttää uunia vain aikuisten valvonnassa syntyvän lämmön vuoksi.

Laitetta eivät saa käyttää sellaiset henkilöt, (mukaan lukien lapset), joilla on fyysisiä, sensorisia tai henkisiä rajoituksia tai joilla on puutteellisesti kokemusta tai tietoa, ellei heitä valvota tai heille ole annettu ohjeita laitteen käytöstä sellaisen henkilön toimesta, joka on vastuussa heidän turvallisuudestaan.

Lapsia pitäisi valvoa, jotta he eivät leiki laitteella. Lapsia pitäisi valvoa, jos he puhdistavat laitetta.

Malleissa, joissa on elektroninen kosketuspaneeli, on myös lapsilukkotila.

Älä nojaa uunin luukkuun äläkä heiluta sitä. Älä leiki uunin kanssa, äläkä heiluta sitä.

Lapsille on opetettava kaikki tärkeät turvallisuusohjeet: patalappujen käyttö, ruoan suojusten varovainen poistaminen. Erityistä huolta on kiinnitettävä pakkauksiin (esim. itsekuumentuvat materiaalit), joiden on tarkoitus tehdä ruoka rapeaksi, koska ne saattavat olla erityisen kuumia.

Muita varoituksia

Älä koskaan korjaa tai muuta uunia millään tavalla.

Älä siirrä uunia sen ollessa päällä.

Tämä laite on tarkoitettu käytettäväksi kotitaloudessa. Tämä uuni on tarkoitettu kotitalouden ruoanvalmistukseen ja sitä saa käyttää vain ruokien ja juomien valmistukseen. Ruoan ja vaatteiden kuivaaminen ja lämpötyynyjen, tossujen, pesusienten, kosteiden liinojen ja vastaavien lämmittäminen on kiellettyä,

ja se voi johtaa vammautumiseen tai tulipaloon, Uuni ei sovi kaupalliseen tai laboratoriokäyttöön.

Uunin ongelmattoman käytön ja vahinkojen välttämisen varmistaminen.

Älä koskaan käynnistä tyhjää uunia. Kun käytät ruskistavaa astiaa tai itselämmittävää materiaalia, pane lämpöä kestävä eristin, kuten posliinilautanen sen alle, jotta estät lämpörasitus-
ta vaurioittamasta uunin pohjaa. Astioiden ohjeissa mainittuja esilämmitysaikoja ei saa ylittää.

Älä käytä metallisia astioita, jotka heijastavat mikroaaltoja ja saattavat aiheuttaa sähköistä kipinäintiä. Älä laita säilykepurkkeja uuniin.

Pyörivän kuumennusalustan tai uunin pohjan rikkoutumisen estämiseksi:

- a) Anna jäähtyä, ennen kuin puhdistat vedellä.
- b) Älä aseta kuumia tai kylmiä ruokia tai astioita kylmälle pyörivälle alustalle/uunin pohjalle.
- c) Uunin päälle ei käytön aikana saa laittaa minkäänlaisia esineitä.

HUOMAUTUS:

Älä käytä muoviastioita mikroaaltouunissa, jos uuni on yhä kuuma yhdistelmätoiminnon käyttämisestä (uunimallista riippuvainen), koska ne saattavat sulaa.

Muoviastioita ei saa käyttää yllä olevissa tiloissa, ellei astioiden valmistaja ilmoita, että ne ovat soveltuvia kyseiseen käyttöön.

Jos et ole varma kuinka uuni liitetään sähköverkkoon, ota yhteyttä valtuutettuun sähköteknikkoon.

Valmistaja ja jälleenmyyjä eivät ole vastuussa uunille koituvista vahingoista tai henkilövahingoista, jotka aiheutuvat uunin huolimattomasta sähköliitännästä.

Vesihöyryä tai -pisaroita saattaa muodostua satunnaisesti

uunin seiniin, luukun tiivisteisiin ja tiivistepintoihin. Tämä on normaalia eikä ole osoitus mikroaaltojen vuodosta eikä toimintahäiriöstä.

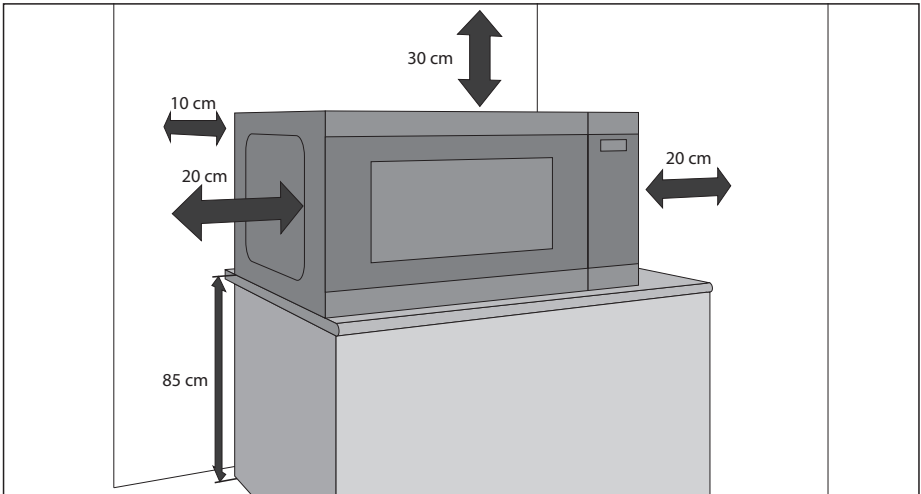
Tämä laite on tarkoitettu käytettäväksi kotitalouksissa ja vastaavissa käyttökohteissa, kuten; myymälöiden, toimistojen ja muiden ammatillisten ympäristöjen henkilökunnalle varatussa keittiötiloissa / maataloilla / hotellien, motellien ja muiden asuintyyppisten ympäristöjen asiakkaiden käytössä / aamiaismajoituspaikkatyyppisissä ympäristöissä.



Tämä symboli tarkoittaa, että pinnat kuumentuvat käytössä.

ASENNUS

1. Poista kaikki pakkausmateriaali uunin sisäosasta. Jos uunin pinnassa on suojakalvoa, poista ne.
 2. Tarkista uuni huolellisesti vaurioiden varalta.
 3. Aseta uuni tasaiselle pinnalle, joka on tarpeeksi vahva kantamaan uunin painon ja sillä kypsennettävän raskaimman ruuan painon. Älä koskaan pane uunia kaappiin.
 4. Valitse tasainen pinta, jossa on tarpeeksi avointa tilaa sisä- ja ulkotuuletusaukkoja varten. Katso kuva ensimmäisellä sivulla. Uunin takaseinä täytyy asettaa seinää vasten.
- Minimiasennuskorkeus on 85 cm.
 - Uunin ja ympäröivien sivujen, seinien ja esineiden väliin on jätävä vähintään 20 cm:n tila.
 - Varmista, että uunin yläpuolelle jää vähintään 30 cm tilaa.
 - Älä irrota jalustaa uunin alaosasta.
 - Tulo- tai lähtöaukkojen tukkiminen voi aiheuttaa uunin vaurioitumisen.
 - Aseta uuni mahdollisimman kauaksi radioista ja televisiosta. Mikroaaltouunin käyttö voi aiheuttaa häiriöitä radion tai television vastaanottoon.



5. Kiinnitä uunin pistotulppa tavalliseen maadoitettuun kotitalouskäyttöön tarkoitettuun pistorasiaan.

VAROITUS:

Älä aseta uunia paikkaan, jossa syntyy lämpöä tai kosteutta (esimerkiksi tavallisen uunin lähelle tai yläpuolelle) tai tulenarkojen materiaalien lähelle (esim. verhot).

Älä tuki tai häiritse tuuletusaukkoja.

Älä aseta uunin päälle esineitä.

Älä koske mikroaaltouunin ulkopuolta käytön aikana tai heti sen jälkeen, koska se on kuuma.

RADIOHÄIRIÖT

Mikroaaltouunin käyttö voi aiheuttaa häiriöitä radioon, televisioon tai vastaaviin laitteisiin. Jos häiriöitä esiintyy, niitä voidaan vähentää tai poistaa toteuttamalla seuraavat toimenpiteet:

1. Puhdista luukun ja sisäosan yhdistymiskohta.
2. Muuta radion tai TV:n vastaanottoantennin suuntaa.
3. Aseta mikroaaltouuni toiseen paikkaan suhteessa vastaanottimeen.
4. Laita mikroaaltouuni toiseen pistorasiaan, jotta se ja vastaanotin ovat eri verkkoliitännässä.

MAADOITUSOHJEET

Tämä laite on maadoitettava. Uunin johdossa on maadoitusjohto ja maadoituspistoke. Se on kytkettävä oikein asennettuun ja maadoitettuun pistorasiaan. Oikosulun sattuessa maadoitus vähentää sähköiskun riskiä tarjoamalla pakojohdtimeen sähkövirralle. On suositeltavaa varustaa erillinen, vain uunin käyttöön varattu virtapiiri.



VAROITUS: maadoituspistokkeen virheellinen käyttö voi johtaa sähköiskun vaaraan.

HUOMAUTUS:

1. Jos sinulla on kysyttävää maadoituksesta tai sähköön liittyvistä asioista, kysy neuvoa valtuutetulta sähköasentajalta tai huoltohenkilöltä.
2. Valmistaja ja jälleenmyyjä eivät ole vastuussa uunille koituvista vahingoista tai henkilövahingoista, jotka aiheutuvat uunin virheellisestä sähköliitännästä.

Mikroaaltouunin verkkojohdossa on seuraavat värikoodatut johdot:

Vihreä ja keltainen = MAA

Sininen = NOLLA

Ruskea = JÄNNITTEINEN

TEKNISET TIEDOT

Malli:	YC-PS204A	YC-PS234A	YC-PS254A	YC-PG204A	YC-PG234A	YC-PG254A	YC-PG284A
Verkköjännite	230~240 V, 50 Hz yksivaiheinen						
Jakelujohtosulake/virrankatkaisija:	10 A						
Teho:	Mikroaaltouuni	700 W	900 W	900 W	700 W	900 W	900 W
	Grilli				900 W	1000 W	1000 W
	Virta pois päältä	<0,5 W					
	Energiansäätötila	>0,5 W					
	Tarvittava AC-teho:	1200 W	1400 W	1400 W	1400 W	1400 W	1400 W
Mikroaaltotaajuus	2450 MHz*						
Ulkomitat (L) x (K) x (S) mm	455 x 274 x 334	483 x 281 x 377	483 x 281 x 403	455 x 274 x 345	483 x 281 x 395	483 x 281 x 403	539 x 309 x 441
Ulkomitat (L) x (K) x (S)** mm	315 x 198 x 297	340 x 220 x 320	340 x 220 x 344	315 x 198 x 297	340 x 220 x 320	340 x 220 x 344	354 x 220 x 358
Uunin tilavuus	20 litraa**	23 litraa**	25 litraa**	20 litraa**	25 litraa**	25 litraa**	28 litraa**
Pyörivän kuumennusalustan halkaisija	245 mm	270 mm	270 mm	245 mm	270 mm	270 mm	325 mm
Grilliritilän koko (L) x (S) mm				190 x 79	80 x 208	80 x 208	89 x 285
Paino	n. 10,5 kg	n. 12,9 kg	n. 13,5 kg	n. 10,9 kg	n. 13,9 kg	n. 13,7 kg	n. 16,6 kg
Uunin lamppu (LED-tyyppi)	1,5 W						

* - Tämä tuote täyttää eurooppalaisen standardin EN55011 asettamat vaatimukset. Tämän standardin mukaisesti tämä tuote on luokiteltu ryhmän 2 luokan B laitteeksi.

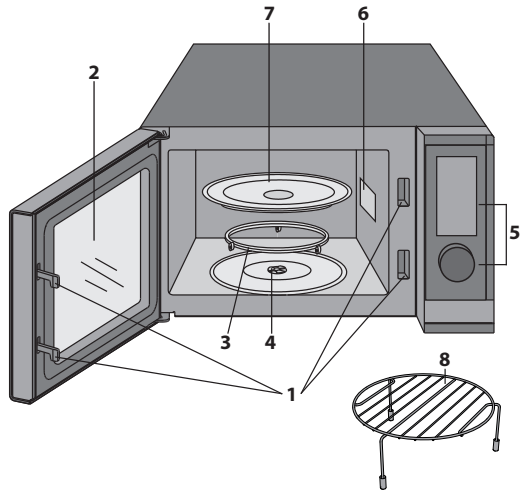
Ryhmä 2 tarkoittaa, että laite tarkoituksellisesti tuottaa suurtaajuusenergiaa sähkömagneettisen säteilyn muodossa. Luokka B tarkoittaa, että laite soveltuu käytettäväksi kotitalouksissa.

** - Sisätilavuus on maksimileveyden, syvyyden ja korkeuden summa.

OSANA JATKUVAN KEHITTÄMISEN PERIAATETTAMME PIDÄTÄMME OIKEUDEN MUUTTAA LAITTEEN MUOTOILUA ILMAN ERILLISTÄ ILMOITUSTA.

UUNI JA LISÄVARUSTEET

1. Luukun turvalukkojärjestelmä
2. Uunin ikkuna
3. Valintakiekkko
4. Pyörivän kuumennuslستان liitin
5. Valintakiekkko ja säätöpainikkeet
6. Aaltoputken suojakansi (Älä poista)
7. Lasialusta
8. Grilliritilä malleihin YC-PG204A, YC-PG234A, YC-PG254A ja YC-PG284A
9. Ilmastointiaukot
10. Uunin ulkovaippa
11. Virtajohto



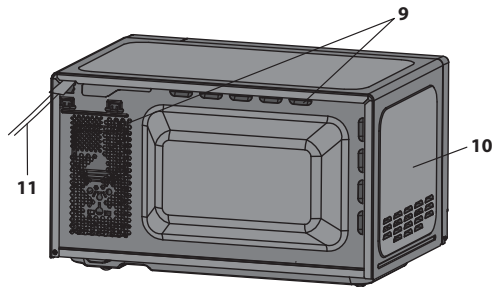
Varmista, että seuraavat lisävarusteet on toimitettu uuniin mukana:

Vain grilliuunit:

- **Grilliritilä** – käytetään kypsennettäessä vain grillitoiminnolla.
- Grilliritilä on tarkoitettu käytettäväksi vain grilliuunien kanssa. ÄLÄ käytä ritilää käyttäessäsi mikroaaltotoimintoa.
- Katso ritilän käyttöohjeet tämän käyttöoppaan GRILLI-osiosta.

Älä koskaan kosketa grilliä, kun se on kuuma.

HUOMAUTUS: Kun tilaat lisävarvikkeita, mainitse kaksi asiaa: osan nimi ja mallin nimi.



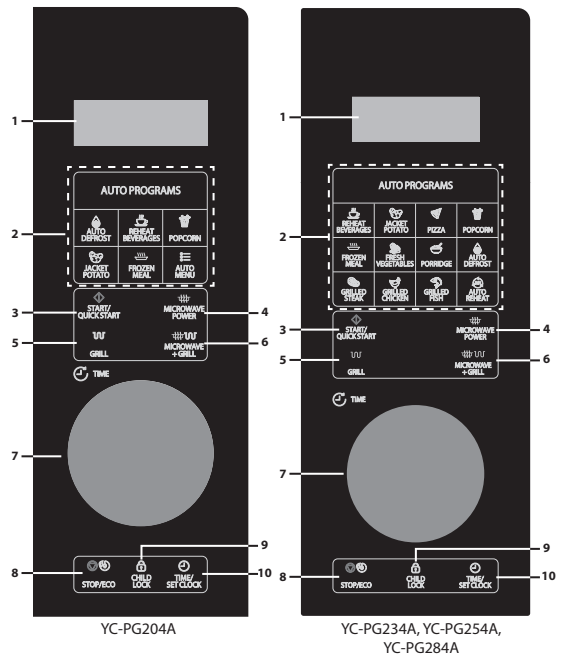
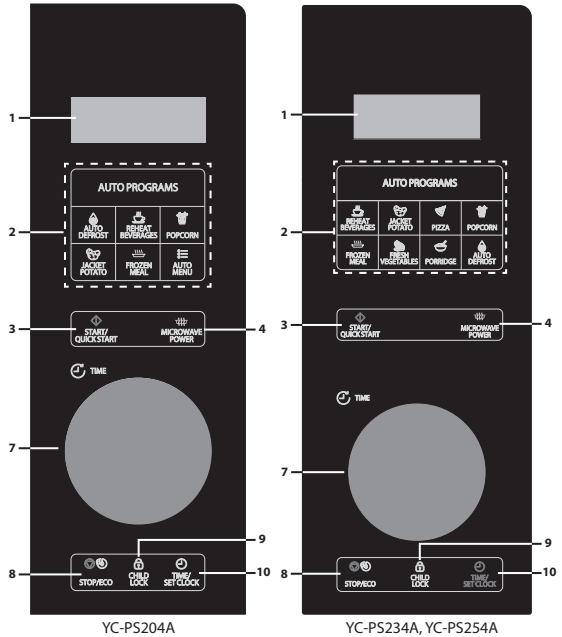
HUOMAUTUKSET:

- Kun olet valmistanut rasvaisia ruokia ilman kannta, puhdista uunin sisäpuoli. Sen on oltava kuiva ja rasvaton. Rasvakeräytymät saattavat ylikuumentua ja alkaa savuta tai syttyä tuleen.
- Kun käytät mikroaaltotoimintoa, aseta astia aina pyörivälle kuumennuslustalle.
- ÄLÄ käytä grilliritilää käyttäessäsi pelkkää mikroaaltotoimintoa.

VAROITUS: Tämä merkki tarkoittaa, että pinnat kuumentuvat käytössä. Ovi, ulkovaippa, uunin sisäpuoli, lisävarusteet ja astiat tulevat erittäin kuumiksi käytössä. Käytä aina paksuja uunikintaita palovammojen ehkäisemiseksi.

SÄÄTÖPANEELI

- DIGITAALINEN NÄYTTÖ** – Kypsennysaika, teho, ilmaisimet ja kellonaika näytetään.
- AUTOMAATTISEN KYSPENNYKSEN valikkopainikkeet** – Paina valitaksesi automaattisen kypsennyksen valikko. (Katso sivulta 19 käyttöohjeet).
- START/QUICK START (KÄYNNISTYS/PIKÄKÄYNNISTYS)** – (sivu 17).
- MICROWAVE POWER (MIKROAALTOJEN TEHO)** – Paina valitaksesi mikroaaltojen tehon. (sivu 16).
- GRILL (GRILLI)** – Paina asettaaksesi grillin kypsennysohjelman. (sivu 17).
- MICROWAVE+GRILL (MIKROAALTO+GRILLI)** – Paina asettaaksesi mikroaaltojen ja grillin yhdistetyn kypsennysohjelman. (sivu 18).
- VALINTAKIEKKO** – Pyöritä myötä- tai vastapäivään asettaaksesi erilaisia toimintoja.
- STOP/ECO (PYSÄYTÄ/EKO)** – Paina kerran pysäyttääksesi kypsennyksen väliaikaisesti tai kahdesti peruttaaksesi kypsennyksen kokonaan. Käytä asettaaksesi virransäästötilan. (sivu 23).
- CHILD LOCK (LAPSILUKKO)** – (sivu 24).
- TIME/SET CLOCK (KELLO/KELLON ASETUS)** – Käytä kellonajan asettamiseen. Käytä ajastintoiminnon asettamiseen. (sivu 15).



ENNEN UUNIN KÄYTTÖÄ

Kun uuni kytketään pistorasiaan ensimmäisen kerran, kuuluu piippaava ääni ja näytössä näkyy "1: 00". Huomaa, ettei kelloa tarvitse asettaa, jotta uuni toimisi oikein. Aseta kello noudattamalla ohjeita tämän käyttöoppaan "**Kellon asettaminen**" -osiossa.

Kun grilliä käytetään ensimmäisen kerran, se päästää savua ja hajuja. Vältäaksesi tämän ruoanvalmistuksen aikana, käytä grillitoimintoa ilman ruokaa noin 20 minuuttia.

- Luukun avaamisen ja sulkemisen jälkeen uuni siirtyy valmiustilaan. Jos mitään painiketta ei paineta minuuttiin, näyttö jää päälle, mutta painikkeet eivät toimi. Siirtyäksesi uudelleen valmiustilaan, avaa ja sulje luukku.
- Jos kypsennyksen aikana painetaan **STOP/ECO**-painiketta kerran, kypsennysjako keskeytetään. Käynnistä kypsennys uudelleen painamalla **KÄYNNISTYS/PIKAKÄYNNISTYS**-painiketta. Jos **STOP/ECO**-painiketta painetaan kahdesti, kypsennys peruutetaan.
- Kun ohjelmoit uunia tiettyä toimintoa varten, etkä paina mitään painikkeita 30 sekuntiin, uuni palaa valmiustilaan.
- Kun kypsennysjako on valmis, näytössä näkyy "**End**" ja ääni kuuluu kahden minuutin välein, kunnes painiketta painetaan tai luukku avataan.

KELLON ASETTAMINEN

Uunissa on kello, jota voidaan käyttää joko 12 tai 24 tunnin tilassa. Aseta kello noudattamalla seuraavia ohjeita:

1. Paina ja pidä painettuna **AIKA/ASETA KELLO**-painiketta valmiustilassa vähintään 3 sekuntia siirtyäksesi kellonasetustilaan.
 2. Valitse 12 tai 24 tunnin kello painamalla **AIKA/ASETA KELLO** -painiketta.
 3. Kierrä **VALINTANUPPIA** asettaaksesi tunnit. Paina **AIKA/ASETA KELLO**-painiketta tallentaaksesi.
 4. Kierrä **VALINTANUPPIA** asettaaksesi minuutit. Paina **AIKA/ASETA KELLO**-painiketta tallentaaksesi ja poistuaaksesi kellonasetustilasta.
- Kelloa ei tarvitse asettaa, jotta uuni toimisi normaalisti.
 - Paina kypsennystilassa **AIKA/ASETA KELLO**-painiketta nähdäksesi kellonajan (jos asetettu). Kellonaika vaihtuu takaisin kypsennysaikaan viiden sekunnin kuluttua. Huomaa, että kellonaikaa ei voi katsoa, jos ajastin on asetettu.

MIKROAALLOILLA KYPSENNYS

Käyttääksesi mikroaaltotoimintoa, noudata seuraavia ohjeita:

1. Paina valmiustilassa **MIKROAALTOEHO**-painiketta valitaksesi tehon. Aina, kun tätä painiketta painetaan, näytöllä näkyy mikroaaltoteho.
2. Kun haluttu mikroaaltoteho on valittu, kierrä **VALINTANUPPIA** valitaksesi kypsennysajan.
3. Paina **KÄYNNISTYS/PIKAKÄYNNISTYS**-painiketta käynnistääksesi kypsennyksen.
4. Kun kypsennysjakso on valmis, näytössä näkyy "End" ja ääni kuuluu kahden minuutin välein, kunnes painiketta painetaan tai luukku avataan.

Huomaa, että seuraava taulukko on ohjeellinen. Uunissa on 10 mikroaaltotehoa. Ne ovat 10%, 20%, 30%, 40%, 50%, 60%, 70%, 80%, 90% ja 100%. Todellinen teho voidaan laskea kertomalla mikroaaltouunin teho prosenttiluvulla.

Mikroaaltouunin kypsennysopas:

Näyttö	Mikroaalto-teho	Suositteltu käyttö
P100	100 %	Käytetään pikakypsennykseen tai esim. laatikkoruokien, kuumien juomien, vihannesten, yms. lämmittämiseen.
P-80	80 %	Käytetään pitkän kypsennysajan vaativiin ruokiin esim. perinteisiä liharuokia valmistettaessa. Tämän alemman tehon käyttäminen takaa kypsennettävän lihan mureuden.
P-60	60 %	Käytetään pitemmän kypsennysajan vaativien ruokien, kuten paistien, lihamurekkeiden tai valmiiden ruoka-annosten valmistamiseen, mutta myös herkempien ruokien, kuten juustokastikkeen tai sokerikakun valmistukseen.
P-40	40 %	Käytetään sulattamiseen. Valitse tämä teho varmistaaksesi, että ruoka sulaa tasaisesti. Tämä asetus sopii ihanteellisesti myös riisin, pastan, mykyjen ja munakastikkeen hiljaiseen kiehuttamiseen.
P-20	20 %	Käytetään hitaaseen sulattamiseen, esim. juustokakut tai muut kahvileivät.

- Voit tarkistaa kypsennystehon painamalla ja pitämällä painettuna **MIKROAALTOEHO**-painiketta.
- Pisin kypsennysaika on 95 minuuttia.

PIKÄKÄYNNISTYS

Jos sinun on kypsennettävä täydellä teholla, paina **KÄYNNISTYS/PIKÄKÄYNNISTYS**-painiketta **VALINTANUPISSA** mikron ollessa valmiustilassa. Aina, kun **KÄYNNISTYS/PIKÄKÄYNNISTYS**-painiketta painetaan, se lisää 30 sekuntia kypsennysaikaan.

GRILLIN KÄYTTÖ*

Grillin lämmityselementillä, joka sijaitsee sisäosan yläosassa, on vain yksi asetus. Se on tehokas ja taloudellinen. Grilli sopii hyvin pekonin, porsaanhivin, kalapuikkojen ja teeleipien valmistukseen.

Käytä grilliritilää pienten ruokien, kuten pekonin ja makkaroiden grillaamiseen ja käännä puolivalisissä grillaamista.

Ruoka voidaan laittaa suoraan ritilälle tai piirasvuokaan tai lämmönkestävälle lautaselle. Estääksesi rasvan tippumista ruoasta grilliin varmista, että sopiva pelti asetetaan grilliritilän alle.

Ruskistaessasi ruokaa pataruokia varten, voit käyttää grilliritilää, jos astia on riittävän matala. On kuitenkin suositeltavaa asettaa tällaiset astiat suoraan pyörivälle alustalle, jotta ruskistumiseen on riittävästi aikaa. Grilliritilää ei voi käyttää grillaukseen.

Käyttääksesi grillitoimintoa, noudata seuraavia ohjeita:

1. Paina valmiustilassa **GRILLI**-painiketta valitaksesi grillitoiminnon. Näytöllä näkyy "**grilli**".
2. Kierrä **VALINTANUPIA** valitaksesi kypsennysajan.
3. Paina **KÄYNNISTYS/PIKÄKÄYNNISTYS**-painiketta käynnistääksesi kypsennyksen.
4. Kun kypsennysjakso on valmis, näytössä näkyy "**End**" ja ääni kuuluu kahden minuutin välein, kunnes painiketta painetaan tai luukku avataan.

* - Vain malleissa, joissa on grilli.

MIKROAALTO + GRILLI*

Käyttämällä sekä mikroaalto- että grillitoimintoa, on mahdollista ruskistaa ja kypsentää ruoka nopeasti. Käyttääksesi mikroaalto- ja grillitoimintoa noudata seuraavia ohjeita:

1. Paina **valmiustilassa MIKROAALTO + GRILLI** -painiketta kerran tai kahdesti valitaksesi "Co-1" tai "Co-2".
2. Kierrä **VALINTANUPPIA** asettaaksesi kypsennysajan.
3. Paina **KÄYNNISTYS/PIKAKÄYNNISTYS**-painiketta käynnistääksesi.
4. Kun kypsennysjakso on valmis, näytössä näkyy "End" ja ääni kuuluu kahden minuutin välein, kunnes painiketta painetaan tai luukku avataan.

Mikroaalto + grilli -toiminto

Näyttö	Tulos	Suosittelut käyttö
Co-1	70 % grilli / 30 % mikro	Broilerin palat, broilerin rintapalat, porsaankyljykset
Co-2	56 % grilli / 44 % mikro	Kokonainen broileri

- Pisin kypsennysaika grillitoiminnolla on 95 minuuttia.
- Anna savun tai hajujen hälventyä grillauksen aikana avaamalla ikkuna tai kytkemällä keittiön tuuletus päälle. Tämä on normaalia, eikä uunin toimintahäiriö.
- Voit tarkistaa kypsennyksen aikana senhetkisen yhdistelmäkypsennyksen tehon painamalla **MIKROAALTO + GRILLI** -painiketta.
- Grillitoimintoa käytettäessä grilli kytkeytyy päälle ja pois säännöllisin väliajoin ylikuumenemisen estämiseksi.
- MIKROAALTO + GRILLI -toimintoa käytettäessä ruoka voidaan asettaa sopivassa astiassa suoraan uunin pyörivälle alustalle tai mukana toimitetulle grilliritilälle.

VAROITUS: Luukku, ulkokuori, sisäosa ja lisävarusteet kuumentuvat hyvin kuumiksi käytön aikana. Käytä paksuja uunikintaita palovammojen välttämiseksi.

* - *Vain malleissa, joissa on grilli.*

AUTOM. VALIKKO

Automaattisten ohjelmien avulla voidaan ruoat kypsentää nopeasti ja tehokkaasti vain muutamalla painikkeen painalluksella. Kestoa ja tehoa ei tarvitse ohjelmoida. Tässä kypsennystavassa painetaan asianmukaista automaattisen kypsennyksen painiketta, syötetään paino/kappalemäärä kiertämällä **VALINTANUPPIA** ja painetaan lopuksi **KÄYNNISTYS/PIKÄKÄYNNISTYS**-painiketta.

Esimerkinä kahden uuniperunan kypsennys.

1. Avaa luukku ja aseta ruoka asianmukaiseen kypsennysjaksoon sopivassa uuniastiassa.
2. Sulje luukku.
3. Paina **UUNIPERUNA**-painiketta kerran.
4. Kierrä **VALINTANUPPIA** asettaaksesi perunoiden määrän.
5. Paina **KÄYNNISTYS/PIKÄKÄYNNISTYS**-painiketta.
6. Kun kypsennysjakso on valmis, näytössä näkyy "End" ja ääni kuuluu kahden minuutin välein, kunnes painiketta painetaan tai luukku avataan.

Automaattisen kypsennyksen valikot:

Automaattiset ohjelmat	Koko/paino
Pakasteateria Automaattinen sulatus Automaattinen lämmitys	Valitse paina kiertämällä VALINTANUPPIA . Pakasteateria ja automaattinen lämmitys (200-800 g), automaattinen sulatus (100-1 800 g)
Lämmitä juomat	Valitse kuppien määrä (200 ml / kpl) kiertämällä VALINTANUPPIA . 1-3 kupillista.
Uuniperuna	Valitse perunoiden määrä (230 g / kpl) kiertämällä VALINTANUPPIA . 1-2 perunaa.
Pizza	Valitse pizzan paino (150 g / 300 g / 450 g) kiertämällä VALINTANUPPIA .
Popcorn	Valitse popcornpakkauksen määrä (100 g / kpl) kiertämällä VALINTANUPPIA .
Tuoreet kasvikset	Valitse kasvien paino (200-600 g) kiertämällä VALINTANUPPIA .
Puuro	Valitse puuron paino (grammaa) kiertämällä VALINTANUPPIA . 50-150 g.
Grillattu Pihvi (vain mallit, joissa on grilli)	Valitse pihvin paino (200-600 g) kiertämällä VALINTANUPPIA .
Grillattu broileri (vain mallit, joissa on grilli)	Valitse broilerin paino (200-600 g) kiertämällä VALINTANUPPIA .
Grillattu kala (vain mallit, joissa on grilli)	Valitse kalan paino (200-600 g) kiertämällä VALINTANUPPIA .

- Automaattisen kypsennyksen tulokset riippuvat eroista, kuten ruuan muodosta ja koosta sekä henkilökohtaisista mieltymyksistä tiettyjen ruokien kypsyyttä koskien ja siitä, miten ruoka asetetaan uuniin. Jos et pidä ohjelmoiduilla kypsennysajoilla saaduista tuloksista, muokkaa kypsennysaikoja vaatimustesi mukaan.

Huomautus: Automaattisen valikon painiketta käytetään vain YC-PG204A- ja YC-PS204A-malleissa. Aina, kun sitä painetaan, näytössä näkyy automaattinen ohjelma edellä olevan taulukon mukaisesti. Kun haluttu automaattinen valikko löytyy, kierrä **VALINTANUPPIA** valitaksesi kypsennettävän ruoan painon.

Automaattiset ohjelmatiedot

Ruoka	Määrä	Alkuperäinen lämpötila	Kypsennysmenetelmä
Lämmitä juomat	1-3 kuppia 1 kuppi = 200 ml	Ympäristö	1. Aseta lämmitettävä juoma mikroalatoonin lasisen pyörivän kuumennusalan keskelle. 2. Sulje luukku ja paina LÄMMITÄ JUOMAT -painiketta ja valitse kuppimäärä kääntämällä VALINTAKIEKKOA. 3. Paina KÄYNNISTYS/PIKAKÄYNNISTYS-painiketta käynnistääksesi kypsennyksen. 4. Kun ajastin pysähtyy, poista juoma. Ole varovainen, koska juoma voi olla kuumaa.
Uunipe-runat	1-2 perunaa 1 peruna = 230±10 g	Ympäristö	1. Pese ja kuivaa perunat, pistele perunoiden pinta haarukalla useita kertoja. 2. Aseta perunat mikroalatoonin lasisen pyörivän kuumennusalan keskelle. 3. Sulje luukku ja paina UUNIPERUNA-painiketta ja valitse perunamäärä kääntämällä VALINTAKIEKKOA. 4. Paina KÄYNNISTYS/PIKAKÄYNNISTYS-painiketta käynnistääksesi kypsennyksen. 5. Kun ajastin pysähtyy, poista perunat. Ole varovainen, koska ruoka voi olla kuumaa.
Pizza	150-450 g	Pakastettu -18 °C	1. Aseta pizza mikroalatoonin kestäväälle lautaselle lasisen pyörivän kuumennusalan keskelle. 2. Sulje luukku ja paina PIZZA-painiketta ja valitse paino kääntämällä VALINTAKIEKKOA. 3. Paina KÄYNNISTYS/PIKAKÄYNNISTYS-painiketta käynnistääksesi kypsennyksen. 4. Kun ajastin pysähtyy, poista pizza uunista. Ole varovainen, koska ruoka voi olla kuumaa.
Popcorn	100 g	Ympäristö	2. Aseta popcornit mikroalatoonin lasisen pyörivän kuumennusalan keskelle. 3. Sulje luukku ja paina POPCORN-painiketta 4. Paina KÄYNNISTYS/PIKAKÄYNNISTYS-painiketta käynnistääksesi kypsennyksen. 5. Kun ajastin pysähtyy, poista popcornit uunista. Ole varovainen, koska ruoka voi olla kuumaa.
Pakasteateria	200-800 g	Pakastettu -18 °C	1. Laita pakasteateria mikroalatoonin kestäväan astiaan ja peitä kelmulla. Pistele reikiä kelmuun. 2. Aseta ruoka mikroalatoonin lasisen pyörivän kuumennusalan keskelle. 3. Sulje luukku ja paina PAKASTEATERIA-painiketta ja valitse paino kääntämällä VALINTAKIEKKOA. 4. Paina KÄYNNISTYS/PIKAKÄYNNISTYS-painiketta käynnistääksesi kypsennyksen. 5. Kun ajastin pysähtyy, poista ateria uunista ja tarjoile. Ole varovainen, koska ruoka on kuumaa.
Tuoreet kasvikset	200-600 g	Ympäristö	1. Pese ja leikkaa vihannekset pieniksi paloiksi: 25-30 mm pitkiä ja 10 mm paksuisia. 2. Laita palaset mikroalatoonin kestäväan keramiikka-astiaan ja peitä kelmulla. Pistele reikiä kelmuun. 3. Aseta kulho mikroalatoonin lasisen pyörivän kuumennusalan keskelle. 4. Sulje luukku ja paina TUOREET VIHANNEKSET -painiketta ja valitse paino kääntämällä VALINTAKIEKKOA. 5. Paina KÄYNNISTYS/PIKAKÄYNNISTYS-painiketta käynnistääksesi kypsennyksen. 6. Kun ajastin pysähtyy, poista vihannekset uunista ja tarjoile. Ole varovainen, koska ruoka on kuumaa.
Puuro	50-150 g	Ympäristö	1. Sekoita puurokaurahiutaleet ja maito kulhossa. Suositellaan 180 ml maitoa per 50 g kauraa. 2. Aseta kulho lasisen pyörivän kuumennusalan keskelle. 3. Sulje luukku ja paina PUURO-painiketta ja valitse paino kääntämällä VALINTAKIEKKOA. 4. Paina KÄYNNISTYS/PIKAKÄYNNISTYS-painiketta käynnistääksesi kypsennyksen. 5. Kun ajastin pysähtyy, poista puuro uunista ja tarjoile.
Auto-maattinen lämmitys	200-800 g	Jäähdytetty 5 °C	1. Laita kylmä riisi tai pasta mikroalatoonin kestäväan keramiikka-astiaan ja peitä kelmulla. Pistele reikiä kelmuun. 2. Aseta kulho mikroalatoonin lasisen pyörivän kuumennusalan keskelle. 3. Sulje luukku ja paina AUTOM. LÄMMITYS -painiketta ja valitse paino kääntämällä VALINTAKIEKKOA. 4. Paina KÄYNNISTYS/PIKAKÄYNNISTYS-painiketta käynnistääksesi kypsennyksen. 5. Kun ajastin pysähtyy, poista puuro uunista ja tarjoile.
Grillattu pihvi	200-600 g	Ympäristö	1. Aseta pihvi tasaisesti grillirillälle, joka on peitetty rasvanpitävällä paperilla. 2. Aseta grillirillä mikroalatoonin lasisen pyörivän kuumennusalan keskelle. 3. Sulje luukku ja paina GRILLATTU PIHVI -painiketta ja valitse paino kääntämällä VALINTAKIEKKOA. 4. Paina KÄYNNISTYS/PIKAKÄYNNISTYS-painiketta käynnistääksesi kypsennyksen. 5. Kun kaksi kolmasosaa kypsennysajasta on kulunut, avaa luukku ruoan kääntämiseksi, sulje luukku ja jatka kypsennystä. 6. Kun ajastin pysähtyy, poista ruoka uunista ja tarjoile. Ole varovainen, koska ruoka ja astiat ovat kuumia.
Grillatut broilerin palat	200-600 g	Ympäristö	1. Aseta broilerin palat tasaisesti grillirillälle, joka on peitetty rasvanpitävällä paperilla. 2. Aseta grillirillä mikroalatoonin lasisen pyörivän kuumennusalan keskelle. 3. Sulje luukku ja paina GRILLATTU BROILERI -painiketta ja valitse paino kääntämällä VALINTAKIEKKOA. 4. Paina KÄYNNISTYS/PIKAKÄYNNISTYS-painiketta käynnistääksesi kypsennyksen. 5. Kun kaksi kolmasosaa kypsennysajasta on kulunut, avaa luukku ruoan kääntämiseksi, sulje luukku ja jatka kypsennystä. 6. Kun ajastin pysähtyy, poista ruoka uunista ja tarjoile. Ole varovainen, koska ruoka ja astiat ovat kuumia.
Grillatut kalapalat	100-500 g	Ympäristö	1. Aseta kalapalat tasaisesti grillirillälle, joka on peitetty rasvanpitävällä paperilla. 2. Aseta grillirillä mikroalatoonin lasisen pyörivän kuumennusalan keskelle. 3. Sulje luukku ja paina GRILLATTU KALA -painiketta ja valitse paino kääntämällä VALINTAKIEKKOA. 4. Paina KÄYNNISTYS/PIKAKÄYNNISTYS-painiketta käynnistääksesi kypsennyksen. 5. Kun kaksi kolmasosaa kypsennysajasta on kulunut, avaa luukku ruoan kääntämiseksi, sulje luukku ja jatka kypsennystä. 6. Kun ajastin pysähtyy, poista ruoka uunista ja tarjoile. Ole varovainen, koska ruoka ja astiat ovat kuumia.

Huomautus	Uunin malli ja käytetty menetelmä	YC-PS204A	YC-PS234A ja YC-PS254A	YC-PG204A	YC-PG234A, YC-PG254A ja YC-PG284A
	Vain mikroaalto 100 %	1 kuppi - 1:40 minuuttia 2 kuppia - 3:00 minuuttia 3 kuppia - 4:20 minuuttia	1 kuppi - 1:30 minuuttia 2 kuppia - 2:40 minuuttia 3 kuppia - 3:50 minuuttia	1 kuppi - 1:40 minuuttia 2 kuppia - 3:00 minuuttia 3 kuppia - 4:20 minuuttia	1 kuppi - 1:30 minuuttia 2 kuppia - 2:40 minuuttia 3 kuppia - 3:50 minuuttia
	Vain mikroaalto 100 %	1 peruna - 6:00 minuuttia 2 perunaa - 9:00 minuuttia 3 perunaa - 13:00 minuuttia	1 peruna - 5:00 minuuttia 2 perunaa - 8:00 minuuttia 3 perunaa - 12:00 minuuttia	1 peruna - 6:00 minuuttia 2 perunaa - 9:00 minuuttia 3 perunaa - 13:00 minuuttia	1 peruna - 5:00 minuuttia 2 perunaa - 8:00 minuuttia 3 perunaa - 12:00 minuuttia
YC-PS204A- ja YC-PG204A-mallissa on painettava AUTOM. VALIKKO -painiketta, kunnes ohjelma tulee näkyviin.	Vain mikroaalto 100 %	150 g: 1:00 minuutti 300 g: 1:30 minuuttia 450 g: 2:00 minuuttia	150 g: 0:50 minuuttia 300 g: 1:20 minuuttia 450 g: 1:50 minuuttia	150 g: 1:00 minuutti 300 g: 1:30 minuuttia 450 g: 2:00 minuuttia	150 g: 0:50 minuuttia 300 g: 1:20 minuuttia 450 g: 1:50 minuuttia
	Vain mikroaalto 100 %	100 g: 3:00 minuuttia	100 g: 2:00 minuuttia	100 g: 3:00 minuuttia	100 g: 2:30 minuuttia
	Kuumenna mikroaalloilla 100 % teholla puolet ajasta, sitten 0 % teholla 1/6 ajasta ja lopuksi 100 % 1/3 ajasta	200 g: 8:00 minuuttia 400 g: 11:00 minuuttia 600 g: 15:00 minuuttia 800 g: 18:00 minuuttia	200 g: 6:00 minuuttia 400 g: 9:00 minuuttia 600 g: 13:00 minuuttia 800 g: 16:00 minuuttia	200 g: 8:00 minuuttia 400 g: 11:00 minuuttia 600 g: 15:00 minuuttia 800 g: 18:00 minuuttia	200 g: 6:00 minuuttia 400 g: 9:00 minuuttia 600 g: 13:00 minuuttia 800 g: 16:00 minuuttia
YC-PS204A- ja YC-PG204A-mallissa on painettava AUTOM. VALIKKO -painiketta, kunnes ohjelma tulee näkyviin.	Vain mikroaalto 100 %	200 g: 3:30 minuuttia 300 g: 4:30 minuuttia 400 g: 5:30 minuuttia 500 g: 6:30 minuuttia 600 g: 7:30 minuuttia	200 g: 3:00 minuuttia 300 g: 4:00 minuuttia 400 g: 5:00 minuuttia 500 g: 6:00 minuuttia 600 g: 7:00 minuuttia	200 g: 3:30 minuuttia 300 g: 4:30 minuuttia 400 g: 5:30 minuuttia 500 g: 6:30 minuuttia 600 g: 7:30 minuuttia	200 g: 3:00 minuuttia 300 g: 4:00 minuuttia 400 g: 5:00 minuuttia 500 g: 6:00 minuuttia 600 g: 7:00 minuuttia
YC-PS204A- ja YC-PG204A-mallissa on painettava AUTOM. VALIKKO -painiketta, kunnes ohjelma tulee näkyviin.	Mikroaalto 100 %	50 g: 2:00 minuuttia 100 g: 3:30 minuuttia 150 g: 5:30 minuuttia	50 g: 2:00 minuuttia 100 g: 3:30 minuuttia 150 g: 5:30 minuuttia	50 g: 2:00 minuuttia 100 g: 3:30 minuuttia 150 g: 5:30 minuuttia	50 g: 2:00 minuuttia 100 g: 3:30 minuuttia 150 g: 5:30 minuuttia
YC-PG204A-mallissa on painettava AUTOM. VALIKKO -painiketta, kunnes ohjelma tulee näkyviin.	Vain mikroaalto 100 %	200 g: 2:00 minuuttia 300 g: 2:40 minuuttia 400 g: 3:20 minuuttia 500 g: 4:00 minuuttia 600 g: 4:40 minuuttia 700 g: 5:20 minuuttia 800 g: 6:00 minuuttia	200 g: 1:30 minuuttia 300 g: 2:00 minuuttia 400 g: 2:30 minuuttia 500 g: 3:00 minuuttia 600 g: 3:30 minuuttia 700 g: 4:00 minuuttia 800 g: 4:30 minuuttia	200 g: 2:00 minuuttia 300 g: 2:40 minuuttia 400 g: 3:20 minuuttia 500 g: 4:00 minuuttia 600 g: 4:40 minuuttia 700 g: 5:20 minuuttia 800 g: 6:00 minuuttia	200 g: 1:30 minuuttia 300 g: 2:00 minuuttia 400 g: 2:30 minuuttia 500 g: 3:00 minuuttia 600 g: 3:30 minuuttia 700 g: 4:00 minuuttia 800 g: 4:30 minuuttia
YC-PG204A-mallissa on painettava AUTOM. VALIKKO -painiketta, kunnes ohjelma tulee näkyviin.	Mikroaallot toimivat 100 % teholla 10 sekuntia, jonka jälkeen grilli on päällä 23 sekuntia. Tämä sykli toistuu kypsennysajan loppuun saakka. Mikroaallot ja grilli eivät koskaan ole päällä samaan aikaan.	N/A	N/A	200 g: 15:00 minuuttia 300 g: 18:00 minuuttia 400 g: 21:00 minuuttia 500 g: 24:00 minuuttia 600 g: 27:00 minuuttia	200 g: 15:00 minuuttia 300 g: 18:00 minuuttia 400 g: 21:00 minuuttia 500 g: 24:00 minuuttia 600 g: 27:00 minuuttia
YC-PG204A-mallissa on painettava AUTOM. VALIKKO -painiketta, kunnes ohjelma tulee näkyviin.	Mikroaallot toimivat 100 % teholla 10 sekuntia, jonka jälkeen grilli on päällä 23 sekuntia. Tämä sykli toistuu kypsennysajan loppuun saakka. Mikroaallot ja grilli eivät koskaan ole päällä samaan aikaan.	N/A	N/A	200 g: 15:00 minuuttia 300 g: 18:00 minuuttia 400 g: 21:00 minuuttia 500 g: 24:00 minuuttia 600 g: 27:00 minuuttia	200 g: 15:00 minuuttia 300 g: 18:00 minuuttia 400 g: 21:00 minuuttia 500 g: 24:00 minuuttia 600 g: 27:00 minuuttia
YC-PG204A-mallissa on painettava AUTOM. VALIKKO -painiketta, kunnes ohjelma tulee näkyviin.	Mikroaallot toimivat 100 % teholla 10 sekuntia, jonka jälkeen grilli on päällä 23 sekuntia. Tämä sykli toistuu kypsennysajan loppuun saakka. Mikroaallot ja grilli eivät koskaan ole päällä samaan aikaan.	N/A	N/A	100 g: 12:00 minuuttia 200 g: 15:00 minuuttia 300 g: 18:00 minuuttia 400 g: 21:00 minuuttia 500 g: 24:00 minuuttia	100 g: 12:00 minuuttia 200 g: 15:00 minuuttia 300 g: 18:00 minuuttia 400 g: 21:00 minuuttia 500 g: 24:00 minuuttia

AUTOMAATTINEN SULATUS

Automaattisen sulatuksen avulla voit sulattaa ruokaa painon mukaan. Sulatusaika ja teho asetetaan automaattisesti, kun elintarvikeryhmä ja paino on ohjelmoitu. Pakasteruoan paino on 100-1 800 g.

1. Paina valmistilassa **AUTOMAATTINEN SULATUS** -painiketta.
2. Kierrä **VALINTANUPPIA** valitaksesi sulatettavan ruoan painon.
3. Paina **KÄYNNISTYS/PIKÄKÄYNNISTYS**-painiketta käynnistääksesi sulatuksen.
4. Jos uuni pysähtyy sulatuksen aikana, käännä ruoka ympäri varmistaaksesi tasaisen sulatuksen ja paina **KÄYNNISTUS/PIKÄKÄYNNISTYS**-painiketta sulattaaksesi jäljellä olevan ajan verran.
5. Kun sulatusjakso on valmis, näytössä näkyy "**End**" ja ääni kuuluu kahden minuutin välein, kunnes painiketta painetaan tai luukku avataan.

Automaattinen sulatus - Toiminto

Malli:	Paino	Sulatusaika	Sulatustoiminto	Menetelmä
YC-PG204A	100-1 800 g	5,5 - 39,5 minuuttia	Käytä 40 % mikroaalto- tehoa 1/3 ajasta, ja sen jälkeen 20 % tehoa seuraavat 1/3 ajasta. Käännä ympäri. Kääntä- misen jälkeen sulattaa 20 % teholla loppuajan.	1. Laita pakastettu ruoka mikroaaltouunin kestävään astiaan ja peitä kelmulla. Pistele reikiä kelmuun. 2. Aseta ruoka mikroaaltouunin lasisen pyörivän kuumennusastustan keskelle. 3. Sulje luukku ja paina AUTOMAATTI- NEN SULATUS -painiketta ja valitse paino kääntämällä VALINTAKIEKKOA. 4. Paina KÄYNNISTYS/PIKÄKÄYNNISTYS -painiketta käynnistääksesi sulatuksen. 5. Sulatusjakson puolivälissä uuni pysäh- tyy, jolloin ruoka on käännettävä. 6. Avaa luukku ja käännä/siirtele ruokaa. Sulje luukku. 7. Paina KÄYNNISTYS/PIKÄKÄYNNISTYS -painiketta jatkaaksesi sulatusta. 8. Kun ajastin pysähtyy, pois ruoka uunista. Tarkista, että ruoka on kunnolla sulanut.
YC-PG204A	100-1 800 g	5-39 minuuttia		
YC- PS234A ja YC-PG234A	100-1 800 g	5,5 - 39,5 minuuttia	Mikroaalto 20 % puolet ajasta, kehotus kääntää ympäri. 20 % teholla jäljellä oleva aika.	
YC-PS254A, YC- PG254A ja YC-PG284A	100-1 800 g	3-37 mi- nuuttia	Käytä 30 % mikroaal- totehoa 1/3 ajasta, ja sen jälkeen 20 % tehoa seuraavat 1/3 ajasta. Käännä ympäri. Kääntä- misen jälkeen sulattaa 20 % teholla loppuajan.	

AUTOMAATTINEN LÄMMITYS*

Ruoka voidaan lämmittää uunissa käyttäjän syöttämän painon mukaan.

Lämmitysaika ja teho asetetaan automaattisesti, kun elintarvikeryhmä ja paino on ohjelmoitu. Lämmitettävän ruoan paino on 100-800 g.

1. Paina valmistilassa **AUTOMAATTINEN LÄMMITYS** -painiketta.
2. Kierrä **VALINTANUPPIA** valitaksesi lämmitettävän ruoan painon.
3. Paina **KÄYNNISTYS/PIKÄKÄYNNISTYS**-painiketta.
4. Kun kypsennysjakso on valmis, näytössä näkyy "**End**" ja ääni kuuluu kahden minuutin välein, kunnes painiketta painetaan tai luukku avataan.

* - Vain malleissa, joissa on grilli.

AJASTIN

Uunissa on ajastin, joka laskee asetettua aikaa alaspäin.

1. Paina valmiustilassa **AIKA/ASETA KELLO** -painiketta kerran.
2. Kierrä **VALINTANUPPIA** asettaaksesi haluamasi ajan. Pisin aika on 95 minuuttia.
3. Paina **KÄYNNISTYS/PIKAKÄYNNISTYS**-painiketta vahvistaaksesi.
4. Ajan kuluminen näkyy näytöllä.
5. Kun se on nolla, kuuluu hälytysääni.

Ajastinta voidaan käyttää myös kellotilassa. Tehdäksesi sen noudata edellä mainittuja vaiheita ruoan kypsessä. Kun ajastin on aktivoitu, se ilmestyy näytölle viiden sekunnin ajaksi, sitten näyttö palaa kypsennysjakson ajannäyttöön. Nähdäksesi ajastimen uudelleen, paina **AIKA/ASETA KELLO**-painiketta kerran, niin ajastin ilmestyy näytölle viiden sekunnin ajaksi ja palaa sitten kypsennyksen ajannäyttöön.

- Peruuta **AJASTIN**-ohjelma painamalla **PYSÄYTÄ/EKO-painiketta**, niin näytössä näkyy aika.
- Jos kypsennysjakso ei ole alkanut, ajastin voidaan käynnistää noudattamalla edellä mainittuja vaiheita.

VIRRANSÄÄSTÖTOIMINTO

Tämän toiminnon avulla virtaa voidaan säästää, kun uunia ei käytetä. Aktivoi toiminto valmiustilassa pitämällä painettuna **PYSÄYTÄ/EKO**-painiketta 3 sekuntia. Näyttö sammuu ja uuni siirtyy virransäästötilaan. Peruuta virransäästötila painamalla mitä tahansa painiketta tai avaamalla ja sulkemalla uunin luukku.

MYKISTYSTOIMINTO

Kaikki uunin äänet voidaan mykistää käyttämällä mykistystoimintoa. Aseta mykistystoiminto painamalla **LAPSILUKKO**-painiketta kerran. Näytöllä näkyy "OFF" 5 sekunnin ajan. Mykistystilassa ei kuulu ääniä painikkeita painettaessa.

Mykistystoiminnon kytkemiseksi pois päältä paina **LAPSILUKKO**-painiketta kerran. Näytössä näkyy "on" 5 sekunnin ajan osoituksena siitä, että ääni on kytketty päälle.

Jos mykistystoiminto on asetettu ja uuni irrotetaan verkkovirrasta, se peruutetaan, kun uuni kytketään jälleen verkkovirtaan.

TURVALUKKO

Tämä on automaattinen toiminto, joka estää lapsia käyttämästä uunia ilman valvontaa. Jos valmiustilassa ei ole toimintaa minuuttiin, uuni siirtyy automaattisesti turvalukkotilaan ja "Loc" ilmestyy näyttöön. Lukitustilassa kaikki painikkeet ovat pois käytöstä. Paina mitä tahansa painiketta, lukkomerkki ilmestyy näyttöön 5 sekunniksi muistuttaakseen käyttäjää peruuttamaan turvalukon.

Kytke turvalukko pois avaamalla ja sulkemalla mikrouunin luukku. Näppäimistö muuttuu aktiiviseksi ja lukon merkivalo sammuu.

LAPSILUKKO

Aseta **LAPSILUKKO** painamalla ja pitämällä painettuna **LAPSILUKKO**-painiketta 3 sekuntia. Kuuluu pitkä piippaus ja näytöllä näkyy "Loc". Uuni on nyt LAPSILUKKO-tilassa. Tässä tilassa näytöllä näkyy kello. Jos jotakin painiketta painetaan tai luukku avataan, "Loc" näkyy 5 sekunnin ajan.

Peruuta lapsilukko painamalla ja pitämällä painettuna **LAPSILUKKO**-painiketta 3 sekunnin ajan, kunnes kuuluu pitkä piippaus.

HOITO JA PUHDISTUS

- Sammuta uuni ja irrota virtajohto pistorasiasta puhdistuksen ajaksi.
- Pidä uunin sisäosa puhtaana. Vältä ruoan roiskeita ja nesteen läikkymistä uunin seinille, yläosaan tai pohjaan. Pyyhi kostealla liinalla. Mietoja pesuaineita voidaan käyttää, jos uuni likaantuu erittäin paljon. Vältä käyttämästä suihkeita tai muita kovia puhdistusaineita. Ne voivat tahrata, juovittaa tai himmentää oven pintaa.
- Uunin ulkopuoli on puhdistettava kostealla liinalla. Uunin sisällä sijaitsevien käyttöosien vaurioitumisen estämiseksi vettä ei saa tunkeutua tuuletusaukkoihin.
- Pyyhi luukku ja ikkuna molemmin puolin, oven tiivisteet ja muut osat usein kostella liinalla poistaaksesi roiskeet.
- Älä käytä karkeita hankaavia puhdistusaineita.
- Älä höyrypuhdistista.
- Älä anna hallintapaneelin kastua. Puhdistista pehmeällä, kostealla liinalla. Puhdistaussasi ohjauspaneelia jätä luukku auki estääksesi uunia kytkeytymästä päälle tahattomasti.
- Jos höyryä kertyy uunin luukun sisä- tai ulkopuolelle, pyyhi pehmeällä liinalla. Näin voi tapahtua, kun mikroaaltouunia käytetään korkeassa ympäristön kosteudessa. Se ei ole vika.
- Uunin pyörivä alusta, alustan tuki ja alustan liitin on puhdistettava säännöllisesti kontaminaation ja mahdollisen kipinöinnin/vaurioitumisen välttämiseksi. Pyyhi pohja miedolla pesuaineella.
- Poista hajut uunista yhdistämällä kupillinen vettä yhden sitruunan mehuun ja kuoreen mikroaaltouuninkestävään kulhoon. Lämmitä mikroaaltouunissa 5 minuuttia. Pyyhi kuivaksi huolellisesti pehmeällä liinalla.
- Jos lamppu lakkaa toimimasta, ota yhteyttä asiakaspalveluun saadaksesi neuvoja.
- Uuni on puhdistettava säännöllisesti ja ruokajäämät on poistettava. Muuten uunin pinnat saattavat vaurioitua ja käyttöikä lyhentyä sekä johtaa vaaratilanteeseen.
- Älä hävitä tätä laitetta kotitalousjätteen mukana. Katso maasi neuvot tämän tyyppisten tuotteiden hävittämisestä.

SOVELTUVAT KEITTOASTIAT

1. Mikroaaltouunissa käytettävän astian ihanteellinen materiaali on läpinäkyvä mikroaalloille. Se päästää energian kulkemaan astian läpi ja lämmittämään ruokaa.
2. Mikroaallot eivät läpäise metallia, joten metallisia tai metallikoristeisia astioita ei pidä käyttää.
3. Älä käytä mikroaaltouunissa kypsentaessäsi kierrätyspaperituotteita, koska ne saattavat sisältää pieniä metallinpalasia, jotka saattavat aiheuttaa kipinöitä ja/tai tilipalon.
4. Pyöreitä/soikeita astioita suositellaan neliön-/suorakaiteen mallisten sijaan, sillä kulmissa oleva ruoka kypsyy helposti liikaa.
5. Kapeita alumiinifoliosuikaleita voidaan käyttää estämään kyseisten alueiden ylikypsyminen. Varo kuitenkin käyttämästä foliota liikaa ja pidä folion ja uunin sisäosan välissä 2,54 cm etäisyyttä.

Seuraava luettelo on yleinen ohje, joka auttaa sinua valitsemaan oikeat keittoastiat.

Ruoanlaittovälineet	Mikroaaltouuni kestävä	Grilli	Huomautus
Ruskistusastia	✓ / ✗	✗	Noudata valmistajan ohjeita. Älä ylitä annettuja lämmitysajoja. Noudata varovaisuutta, koska nämä astiat kuumentuvat erittäin kuumiksi.
Posliini ja keramiikka	✓ / ✗	✗	Posliini, keramiikka, lasitettu ja luuposliini ovat yleensä sopivia. Ne eivät kuitenkaan saa sisältää metallikoristeita.
Lämmönkestävä lasi	✓	✓	Lasisten ruoanvalmistusastioiden sopivuus käytettäväksi mikroaaltouunissa on tarkistettava huolellisesti.
Ei-lämmönkestävä lasi	✗	✗	
Lämmönkestävä keramiikka	✓	✓	Varmista, ettei keraaminen materiaali ole liian paksu tai mineraalipitoinen.
Mikroaaltouunin kestävät muoviasiat	✓	✗	Tarkista aina, että muoviset kypsennysastiat sopivat käytettäväksi mikroaaltouunissa.
Talouspaperi	✓ / ✗	✗	Käytä vain mikroaaltouunissa käytettäväksi suositeltua talouspaperia.
Lasiastiat esim. Pyrex®	✓ / ✗	✓	Hauraita lasiastioita käytettäessä on noudatettava varovaisuutta, koska ne voivat rikkoutua tai murtua, jos niitä kuumennetaan äkillisesti.
Metallialusta	✗	✓	Mikroaaltouunissa ei suositella käytettäväksi metallisia astioita, koska se saattaa aiheuttaa valokaaren, joka johtaa tulipaloon.
Metalliritilä	✗	✓	Mikroaaltouunissa ei suositella käytettäväksi metallisia astioita, koska se saattaa aiheuttaa valokaaren, joka johtaa tulipaloon.
Alumiinifolio Folioastiat	✓ / ✗	✓	Ruokaa voidaan suojata ylikuumentumiselta pienillä alumiinifolion paloilla. Pidä folio vähintään 2,54 cm:n päässä uunin seinistä, koska se saattaa kaareutua. Folioastioita ei suositella, ellei valmistaja toisin suosittele, esim. Microfoil®. Noudata ohjeita huolellisesti.
Tuorekelmu	✓	✗	Se ei saisi osua ruokaan ja höyryn pitäisi päästä poistumaan puhkaisemalla pussiin reikä.
Muovi/polystyreeni, esim. pikaruokapakkaukset	✓	✗	Noudata varovaisuutta, koska jotkut astiat voivat väännyä, sulaa tai päästää väriä korkeissa lämpötiloissa.
Pakastus- tai paahtopussit	✓	✗	Täytyy puhkaista, jotta höyry pääsee pois. Varmista, että pussit soveltuvat käytettäväksi mikroaaltouunissa.
Paperilautaset tai -kupit ja talouspaperi	✓	✗	Älä käytä muovi- tai metallisulkijoita, koska ne saattavat sulaa tai syttyä palamaan metallin kaareutumisen vuoksi.
Olki- ja puuastiat	✓	✗	Käytä vain lämmitykseen tai kosteuden imeyttämiseen. Noudata varovaisuutta, koska ylikuuminen voi aiheuttaa tulipalon.
Uusiopaperi ja sanomalehti	✗	✗	Mikroaaltouunia ei saa jättää päälle ilman valvontaa, kun käytät näitä materiaaleja, koska ylikuumentuminen voi aiheuttaa tulipalon. Saattaa sisältää metallinpaloja, jotka aiheuttavat kipinöintiä ja saattavat aiheuttaa tulipalon.



VAROITUS: Kun lämmität ruokaa muovi- tai paperiastioissa, valvo uunia mahdollisen syttymisen varalta.

HUOMAUTUS: Älä jätä uunia valvomatta sen ollessa käytössä.

MIKROSSA KYPSENTÄMISEN VINKIT

Mikroaallot kypsentävät perinteistä kypsennystä nopeammin. Tämän vuoksi on tärkeää noudattaa tiettyjä tekniikoita hyvien tulosten varmistamiseksi. Monet tekniikoista ovat samanlaisia kuin perinteisessä kypsennyksessä käytettävät.



VAROITUS: Nesteitä ja muita ruokia ei saa kuumentaa suljetuissa tai kannellisissa pakkauksissa, koska ne saattavat räjähtää. Suljetut pakkaukset saattavat räjähtää kohonneen paineen takia.

KYPSENNYSTÄ KOSKEVIA NEUVOJA:

- Mikroaaltouunia ei saa jättää päälle ilman valvontaa.
- Käytettävien välineiden täytyy soveltua käytettäviksi mikroaaltouunille
- Käytä popcornin valmistamiseen vain erityisiä (noudata valmistajan ohjeita). Älä koskaan käytä öljyä, ellei valmistaja näin neuvo äläkä koskaan ylitä ohjeellista valmistusaikaa.



VAROITUS: Jos kypsennät suositeltua pidempiä aikoja tai käytät liian korkeita tehoja, ruoka saattaa ylikuumentua ja palaa ja äärimmäisissä olosuhteissa syttyä tuleen ja vaurioittaa uunia.

Järjesteleminen

Aseta ruoan paksuimmat osat astian ulkopuolta kohti, esim. kanankoivet.

Ruoat, jotka sijoitetaan astian ulkopuolta kohti, saavat enemmän energiaa ja kypsyvät nopeammin kuin keskellä olevat.

Peittäminen

Tietyt ruoat kannattaa peittää kypsennyksen aikana.

Käytä mikroaaltouunikelmua tai sopivaa kantta.

Puhkaiseminen

Pistele reikiä kuorellisiin tai kalvopäällysteisiin ruokiin useisiin kohtiin ennen kypsennystä tai lämmitystä, koska höyry voi kerääntyä ja aiheuttaa ruuan räjähtämisen.

esim. perunat, kala, kana, makkara.

HUOMAUTUS: Kananmunia ei saa kuumentaa mikroaalloilla, koska ne voivat räjähtää vielä kypsennyksen jälkeenkin, esim. oppomunat, paistetut munat ja kovaksi keitetyt.

Sekoittaminen, kääntäminen ja järjesteleminen uudelleen

Jotta ruoka kypsyisi tasaisesti, on tarpeen sekoittaa, kääntää ja järjestää ruokaa uudelleen kypsennyksen aikana.

Sekoita ruokaa aina reunoilta keskustaan päin.

Anna seisoa

Tasaantumisaika on tarpeen kypsennyksen jälkeen, koska se jakaa lämmön tasaisesti ruokaan.

Ruuan ominaisuudet	
Koostumus	Paljon rasvaa tai sokeria sisältävät ruoat (esim. Jouluvanukas, joulutortut) tarvitsevat vähemmän lämmitysaikaa. Varovaisuutta on noudatettava, koska ylikymmeneminen voi johtaa tulipaloon. Ruoassa olevat luut johtavat lämpöä saaden ruoan kypsymään nopeammin. Huolellisuutta on noudatettava, jotta ruoka kypsyy tasaisesti.
Tiheys	Ruuan tiheys vaikuttaa tarvittavaan kypsennysaikaan. Kevyet, huokoiset ruuat, kuten kakut tai leipä kypsyvät nopeammin kuin raskaat, tiheet ruuat, kuten paistit ja padat.
Määrä	Mikroaaltojen määrä uunissa pysyy samana huolimatta siitä, kuinka paljon ruokaa kypsennetään. Kypsennysaikaa täytyy lisätä, kun uuniin lisättävän ruuan määrä kasvaa. Neljän perunan kypsytminen kestää esim. kauemmin kuin kahden.
Koko	Pienet määrät ja pienet palat kypsyvät nopeammin, koska mikroaallot lävistävät kaikilta sivuilta keskustaan. Voit kypsentää tasaisesti paloittelemalla ruuan samankokoisiin paloihin.
Muoto	Epäsäännöllisen kokoisten ruokien paksumpien osien kypsyminen kestää kauemmin, kuten kananrinta. Aseta paksummat osat astian uloimpaan osaan, jossa ne saavat enemmän energiaa. Näin varmistat tasaisemman kypsymisen. Pyöreät muodot kypsyvät tasaisemmin kuin neliömuotoiset mikroaaltouunilla kypsennettäessä.
Ruuan lämpötila	Ruuan alkuperäinen lämpötila vaikuttaa tarvittavaan kypsennysaikaan. Jäähdytetyt ruoat kestävät kypsyä kauemmin kuin huoneenlämpöiset. Astian lämpötila ei ole todellinen merkki ruoan tai juoman lämpötilasta. Tee viillon ruokiin, joissa on täytteitä, esim. hillodonitseihin, vapauttaaksesi lämpöä tai höyryä.



VAROITUS: Kasvot ja kädet: Käytä aina uunikintaita, kun otat ruokaa tai keittoastioita uunista. Astu taaksepäin, kun avaat oven ja anna lämmön tai höyryn hajaantua. Kun avaat kansia (kuten mikrokalvo), paahtopusseja tai popcornusseja, ohjaa höyry pois kasvoista ja käsistä.



VAROITUS: Tarkasta ruuan ja juoman lämpötila ennen tarjoilua. Noudata erityistä varovaisuutta, kun tarjoat vauvoille, lapsille tai vanhuksille. Tuttipulloja ja vauvanruokapurkkeja on ravistettava tai sekoitettava ja niissä olevan juoman/ruoan lämpötila on tarkistettava, ennen kuin ne annetaan vauvalle, jotta estettäisiin palovammat.

SULATUSOHJEITA

Mikroaaltouunin käyttö on nopein sulatusmenetelmä. Se on yksinkertainen menetelmä, mutta seuraavien ohjeiden noudattaminen on tärkeää ruoan perusteellisen sulatuksen varmistamiseksi.

- Poista kaikki pakkaukset ja kääreet ennen sulatusta.
- Sulata ruoka mikroaaltoteholla P-20 - P-40.
- Katso tarkemmat ohjeet alta.

Järjestä uudelleen

Ruoat, jotka on asetettu astian ulkopuolta kohti, sulavat nopeammin kuin keskellä olevat ruoat. Siksi on tärkeää asetella ruoat uudelleen jopa 4 kertaa sulatuksen aikana.

Siirrä tiiviisti asetellut ruoat ulkoreunalta keskelle ja järjestele päällekkäiset alueet.

Tämä varmistaa, että kaikki ruoan osat sulavat tasaisesti.

Erottele

Ruoka saattaa olla juuttunut yhteen, kun se otetaan pakastimesta. On tärkeää erotella ruoka mahdollisimman pian sulatuksen aikana.

esim. pekoniiviipaleet, kanafileet.

Suojaa

Jotkut ruuan kohdat saattavat lämmetä sulatuksen aikana. Voit estää niiden edelleen lämpenemisen ja kypsymään ryhtymisen suojaamalla ne ohuella kalvolla, joka heijastaa mikroaaltoja, esim. kanankoivet tai siipipalat

Anna seisoa

Tasaantumisaika on tarpeen ruoan sulamisen varmistamiseksi.

Sulatus ei ole valmis, ennen kuin ruoka on otettu pois uunista. Ruoan täytyy seisoa peitettynä tietyn aikaa sen varmistamiseksi, että keskusta on sulanut täysin.

Käännä ympäri

On tärkeää, että kaikkia ruokia käännetään jopa 4 kertaa sulatuksen aikana.

Tämä on tärkeää kunnollisen sulamisen varmistamiseksi.

RUUANLÄMMITYSOHJEITA

Noudata ruuan lämmitystä koskevia ohjeita, jotta varmistut sen perusteellisesta lämmityksestä ennen tarjoilua.

Ruoka-annokset

Irrota kaikki siipikarjan tai lihan osat, lämmitä ne erikseen. Katso ohjeet alla.

Aseta pienemmät osat lautasen keskelle, paksummat osat reunalle. Peitä mikrokelmulla ja lämmitä P-50-teholla.

Sekoita/järjestä uudelleen puoleessa välissä.

HUOMAUTUS: Varmista, että ruoka lämmitetään kunnolla ennen tarjoamista.

Viipaloitu liha

Peitä mikrokelmulla tai sopivalla kannella ja lämmitä P-60-teholla. Järjestele uudelleen ainakin kerran, jotta ruoka lämpenee tasaisesti.

HUOMAUTUS: Varmista, että liha lämmitetään kunnolla ennen tarjoamista.

Siipikarjan osat

Aseta pakuimmat osat astian uloimpaan osaan. Peitä mikrokelmulla ja lämmitä P-70--teholla.

Käännä puolivälissä lämmitystä.

HUOMAUTUS: Varmista, että siipikarja lämmitetään kunnolla ennen tarjoamista.

Pataruuat

Peitä mikrokelmulla tai sopivalla kannella ja lämmitä P-50-teholla.

Sekoita usein varmistuaksesi tasaisesta lämmityksestä.

HUOMAUTUS: Varmista, että ruoka lämmitetään kunnolla ennen tarjoamista.

Kun lämmität ruokaa, saat parhaat tulokset valitsemalla tietyille ruuan tyyppille sopiva mikroaaltoteho. Kulhollinen kasviksia voidaan esimerkiksi lämmittää P-100-teholla, kun taas lasagne, joka sisältää aineita, joita ei voida sekoittaa, pitäisi lämmittää P-40-teholla.

HUOMAUTUKSET:

- Poista ruoka folio- tai metalliastioista ennen lämmitystä.
- Lämmitysaikoihin vaikuttaa astian muoto, syvyys ja materiaali sekä ruuan muoto, syvyys, määrä ja lämpötila.



VAROITUS: Älä kuumenna nesteitä kapea-aukkoisissa astioissa, koska ne voivat purkautua astioista ja aiheuttaa palovammoja.

- Ole erityisen varovainen valmistaessasi tai lämmittäessäsi ruokia, joissa on paljon rasvaa tai sokeria (esim. makkaroitu, täytettyjä piirakoita jne.). Ne eivät saa kuumentua liikaa, jotta ne eivät syty palamaan.
- Älä käytä mikroaaltouunia uppoaistoöljyn lämmitykseen. Tämä voi johtaa ylikuumenemiseen ja öljy saattaa syttyä tuleen.
- Tölkkipperunoita ei saa lämmittää mikroaaltouunissa. Noudata tölkissä olevia valmistajan ohjeita.



VAROITUS: Tuttipulloja ja vauvanruokapurkkeja on ravistettava tai sekoitettava ja niissä olevan juoman/ruoan lämpötila on tarkistettava, ennen kuin ne annetaan vauvalle, jotta estettäisiin palovammat.

VIANMÄÄRITYS

Jos uuni ei mielestäsi toimi oikein, voit suorittaa muutamia helppoja tarkastuksia ennen kuin soitat huoltoon. Näin vältytään tarpeettomilta huoltokutsuilta, jos vika on yksinkertainen.

Noudata seuraavaa helppoa tarkastusta:

Aseta puoli kupillista vettä alustalle ja sulje luukku. Aseta uuni kypsentämään minuutin ajan 100 % mikroaaltoteholla.

1. Syttyykö uunin lamppu kun kypsennys on käynnissä?
2. Toimiiko tuuletin? (Tarkista asettamalla kätesi ilmanottoaukkojen yläpuolelle.)
3. Kuuletko minuutin kuluttua äänimerkin?
4. Onko vesikuppi kuuma?

Jos vastaat "Ei" johonkin kysymykseen, tarkista ensin, että uunin pistoke on kunnolla seinässä ja ettei sulake ole palanut. Jos vika ei ole kummassakaan, jatka tarkastusta seuraavan vianmäärittäustaulukon mukaisesti.



VAROITUS: Älä koskaan säädä, korjaa tai muokkaa uunia itse. Huoltotoimien ja korjausten suorittaminen on vaarallista muille, kuin SHARPin koulutetuille asentajille. Tämä on tärkeää, sillä siihen saattaa sisältyä sellaisten kansiens poistamista, jotka suojaavat mikroaaltoenergialta.

- Oven tiiviste pysäyttää mikroaaltojen vuodon käytön aikana, mutta ei muodosta ilmatiivistä tiivistettä. On normaalia nähdä vesipisarointia, valoa tai tuntea lämmintä ilmaa luukun ympärillä. Ruoat, joissa on korkea kosteuspitoisuus, vapauttavat höyryä ja aiheuttavat luukun sisäpuolelle kondenssivettä, joka saattaa tippua uunista.
- Korjaukset ja muutokset: Älä yritä käyttää uunia, jos se ei toimi oikein.
- Ulkokuoren & lampun käsittely: Älä koskaan poista ulkokuorta. Se on erittäin vaarallista sisäisten korkeajännitteisten osien vuoksi. Niihin ei saa koskea, koska se voi olla hengenvaarallista. Uunia ei ole varustettu lampun kannella. Jos lamppu lakkaa toimimasta, älä yritä vaihtaa sitä itse, vaan ota yhteyttä hyväksytyyn SHARP-huoltoon.

VIANMÄÄRITYSTALUKKO

KYSYMYS	VASTAUS
Ilmavirta kiertää luukun ympärillä.	Kun uuni toimii, ilma kiertää sisäosassa. Ovi ei ole ilmatiivis, joten ilmaa voi karata luukusta.
Uuniin muodostuu kondenssivettä, joka voi tippua luukusta.	Uunin sisäosa on normaalisti kylmempi kuin kypsennettävä ruoka, joten kypsennyksen aikana muodostuvat höyry kondensoituu kylmempään pintaan. Höyryn määrä riippuu ruoan vesipitoisuudesta. Jotkut ruoat, kuten perunat ovat kosteampia. Luukun oveen jääneen kondenssiveden pitäisi poistua muutaman tunnin kuluessa.
Välähdykset tai valokaaret uunin sisäosasta kypsennyksen aikana.	Valokaaria syntyy, kun metallinen esine on uunin sisäpinnan lähellä kypsennyksen aikana. Tämä saattaa karhentaa sisäpintaa, mutta ei vaurioita uunia.
Kipinöivät perunat.	Varmista, että kaikki "silmät" on poistettu perunoista ja että ne on pistelty. Aseta suoraan alustalle tai lämmönkestävään vuokaan tai vastaavaan.
Kun uunia käytetään vain grillilaustilassa, saatetaan huomata, ettei lämmityselementti ole päällä koko ajan.	Tämä johtuu siitä että grillielementti syttyy ja sammuu pitääkseen uunin lämpötilan asetetulla tasolla.
Kun uunia käytetään yhdistelmätilassa, se ei näytä olevan päällä.	Yhdistelmäkypsennystilan (mikroaalto ja grilli), uuni vaihtelee kahden toiminnon välillä. Mikroaalto- ja grillitoimintoja ei kytketä päälle samaan aikaan.
Uuni ei toimi, kun KÄYNNISTYS/PIKAKÄYNNISTYS-painiketta painetaan.	Tarkista, että luukku on suljettu kunnolla.
Uuni kypsentää liian hitaasti.	Varmista, että on valittu oikea teho.
Uuni pitää ääntä.	Kun mikroaaltoenergia kytketään päälle ja pois päältä, saattaa kuulua huminaa, mikä on normaalia.
Kypsennyksen jälkeen uunista kuuluu ääni tai vaikuttaa edelleen olevan käynnissä.	Kypsennyksen lopussa tuuletin saattaa olla päällä useita minutteja uunin jäädyttämiseksi. Tämä on normaalia.
Ulkokuori on kuuma.	Ulkokuori saattaa kuumeta - pidä lapset etäällä.
"LoC" ilmestyy näytölle, kun painiketta painetaan.	30 sekunnin kuluttua uuni siirtyy lukitustilaan, jossa kaikkia painikkeita ei voi painaa. Avaa ja sulje luukku, jolloin painikkeet toimivat jälleen. Tarkista myös, ettei laite ole lukitustilassa.
Uunista kuuluu piippaus minuutin välein, ja näytössä näkyy "Fail".	Jos säätöpaneelin painikkeita painetaan jatkuvasti yli minuutin ajan, tämä tapahtuu. Irrota uunin pistoke pistorasiasta muutaman minuutin ajaksi ja kytke uudelleen.
Uuni piippaa 30 sekunnin välein.	Kun kypsennys on päättynyt ja luukku on avattu, piippaus kuuluu 30 sekunnin välein. Lopeta se avaamalla ja sulkemalla luukku.

ENNEN KUIN PYYDÄT APUA

Tarkista seuraavat asiat ennen avun pyytämistä:

- Tarkista, että uuni on kytketty pistorasiaan tiukasti, Jos ei ole, irrota pistoke pistorasiasta, odota 10 sekuntia ja kytke takaisin tiukasti.
- Tarkista palanut sulake tai lauennut pääkatkaisija. Jos ne vaikuttavat toimivan oikein, testaa pistorasia toisella laitteella.
- Tarkista, että virta- ja ajastinpainikkeet ovat säädetty oikein.
- Tarkista, että luukku on tiukasti suljettu ja lukitusjärjestelmä toimii. Jos luukku ei ole oikein suljettu, mikroaaltoenergia ei virtaa uuniin.

JOS MIKÄÄN EDELLÄ OLEVISTA EI KORJAA TILANNETTA OTA YHTEYTTÄ VALTUUTETTUUN TEKNIKKOON. ÄLÄ YRITÄ SÄÄTÄÄ TAI KORJATA UUNIA ITSE.



Attention :

Votre produit comporte ce symbole. Il signifie que les produits électriques et électroniques usagés ne doivent pas être mélangés avec les déchets ménagers généraux. Un système de collecte séparé est prévu pour ces produits.



www.sharpconsumer.com/contact/



www.sharpconsumer.com/support/



www.sharpconsumer.com/documents-of-conformity/

A. Informations sur la mise au rebut à l'intention des utilisateurs privés (ménages)

1. Au sein de l'Union européenne

Attention : si vous souhaitez mettre cet appareil au rebut, ne le jetez pas dans une poubelle ordinaire !

Les appareils électriques et électroniques usagés doivent être traités séparément et conformément aux lois en vigueur en matière de traitement, de récupération et de recyclage adéquats de ces appareils.

Suite à la mise en œuvre de ces dispositions dans les États membres, les ménages résidant au sein de l'Union européenne peuvent désormais rapporter gratuitement* leurs appareils électriques et électroniques usagés sur des sites de collecte désignés.

Dans certains pays*, votre détaillant reprendra également gratuitement votre ancien produit si vous achetez un produit neuf similaire.

*) Veuillez contacter votre administration locale pour plus de renseignements.

Si vos appareils électriques ou électroniques usagés sont équipés de piles ou d'accumulateurs, veuillez les éliminer séparément, conformément aux prescriptions locales. En éliminant correctement ce produit, vous contribuerez à garantir que les déchets subissent le traitement, la valorisation et le recyclage nécessaires et à prévenir ainsi les effets négatifs potentiels sur l'environnement et la santé humaine qui pourraient autrement résulter d'une manipulation inappropriée des déchets.

2. Pays hors de l'Union européenne

Si vous souhaitez mettre ce produit au rebut, veuillez contacter votre administration locale qui vous renseignera sur la méthode d'élimination correcte de cet appareil.

Suisse : les équipements électriques ou électroniques usagés peuvent être ramenés gratuitement au détaillant, même si vous n'achetez pas un nouvel appareil. Pour obtenir la liste des autres sites de collecte, veuillez vous reporter à la page d'accueil du site www.swico.ch ou www.sens.ch.

B. Informations sur la mise au rebut à l'intention des entreprises

1. Au sein de l'Union européenne

Si ce produit est utilisé dans le cadre des activités de votre entreprise et que vous souhaitez le mettre au rebut :

Veuillez contacter votre revendeur SHARP qui vous informera des conditions de reprise du produit. Des frais de reprise et de recyclage pourront vous être facturés. Les produits de petite taille (et en petites quantités) pourront être repris par vos organisations de collecte locales.

Espagne : veuillez contacter l'organisation de collecte existante ou votre administration locale concernant les modalités de reprise de vos produits usagés.

2. Pays hors de l'Union européenne

Si vous souhaitez mettre ce produit au rebut, veuillez contacter votre administration locale qui vous renseignera sur la méthode d'élimination correcte de cet appareil.

Pour le support, visitez www.sharpconsumer.com/contact/, pour vos droits de garantie, adressez-vous à www.sharpconsumer.com/support/ ou contactez le détaillant auprès duquel vous avez acheté votre produit. Les déclarations de conformité sont disponibles sur www.sharpconsumer.com/documents-of-conformity/

PRÉCAUTIONS POUR ÉVITER UNE EXPOSITION POSSIBLE À UNE ÉNERGIE EXCESSIVE DE MICRO-ONDES

1. Ne tentez pas d'utiliser ce four avec la porte ouverte car cela peut entraîner une exposition nocive à l'énergie des micro-ondes. Il est important de ne pas rompre ou manipuler les dispositifs de verrouillages de sécurité.
2. N'insérez aucun objet entre la face avant du four et la porte ou ne laissez pas accumuler de la saleté ou des résidus de nettoyage sur les surfaces d'étanchéité.
3. N'utilisez pas le four s'il est endommagé. Il est très important que la porte du four ferme correctement et qu'il n'y ait aucun dommage à la porte, aux charnières, aux serrures ou aux joints de porte et aux surfaces d'étanchéité.
4. N'essayez pas de réparer ou d'ajuster le four.

TABLE DES MATIÈRES

INSTRUCTIONS IMPORTANTES DE SÉCURITÉ.....	3
INSTALLATION.....	12
PERTURBATIONS RADIO.....	13
INSTRUCTIONS DE MISE À LA TERRE.....	13
SPÉCIFICATIONS.....	13
FOUR ET ACCESSOIRES.....	14
PANNEAU DE COMMANDE.....	15
AVANT D'UTILISER LE FOUR.....	16
RÉGLAGE DE L'HORLOGE.....	16
CUISSON AU MICRO-ONDES.....	17
DÉMARRAGE RAPIDE.....	18
CUISSON AU GRIL*.....	18
MICRO-ONDES + GRIL*.....	18
MENU AUTO.....	19
DÉCONGÉLATION AUTOMATIQUE.....	22
RÉCHAUFFAGE AUTOMATIQUE*.....	22
MINUTERIE.....	23
FONCTION D'ÉCONOMIE D'ÉNERGIE.....	23
FONCTION MUET.....	24
SERRURE DE SÉCURITÉ.....	24
VERROUILLAGE ENFANT.....	24
NETTOYAGE ET ENTRETIEN.....	25
BIEN CHOISIR LA VAISSELLE.....	26
CONSEILS POUR LA CUISSON AU MICRO-ONDES.....	27
CONSEILS POUR LA DÉCONGÉLATION.....	29
CONSEILS POUR LE RÉCHAUFFAGE.....	30
DÉPANNAGE.....	31
AVANT D'APPELER L'ASSISTANCE.....	33

* - Uniquement pour les modèles avec grill.

INSTRUCTIONS IMPORTANTES DE SÉCURITÉ

VEUILLEZ LES LIRE ATTENTIVEMENT ET LES CONSERVER POUR TOUTE RÉFÉRENCE ULTÉRIEURE

Attention aux risques d'incendie. Vous devez surveiller le four durant son fonctionnement. Un niveau de puissance trop élevé, ou un temps de cuisson trop long, peuvent entraîner une augmentation de la température des aliments et créer un risque d'incendie.

Ce four est conçu pour être uniquement utilisé sur un plan de travail de cuisine. Il n'est pas conçu pour être installé dans un élément de cuisine. Veuillez ne pas placer le four dans un placard. La prise secteur doit être facilement accessible, afin que la fiche du cordon d'alimentation puisse être aisément débranchée en cas d'urgence.

La tension d'alimentation doit être égale à 230-240 V, 50 Hz avec un fusible de distribution de 10 A minimum, ou un disjoncteur de 10 A minimum. La prise secteur doit être facilement accessible, afin que la fiche du cordon d'alimentation puisse être aisément débranchée en cas d'urgence.

Veillez ne pas placer votre four à proximité d'une zone génératrice de chaleur. Par exemple, près d'un four à cuisson conventionnelle. Ne placez pas ce four dans une atmosphère à humidité élevée ou bien où l'humidité peut s'accumuler. Ne stockez et n'utilisez pas le four à l'extérieur.

Si vous observez la présence de fumée, éteignez ou débranchez le four et laissez la porte fermée afin d'étouffer les flammes.

Utilisez uniquement des récipients et ustensiles compatibles avec la cuisson au micro-ondes. Il est important de vérifier que les ustensiles utilisés sont bien compatibles avec la cuisson au micro-ondes.

Lorsque vous réchauffez un plat dans un récipient en plastique ou en papier, surveillez le four pour prévenir tout risque d'incendie.

Nettoyez le couvercle du guide d'ondes et la cavité du four. Nettoyez le couvercle du guide d'ondes, la cavité du four et le plateau après utilisation. Ceux-ci doivent être secs et exempts de graisse. Les accumulations de graisse peuvent s'échauffer au point générer de la fumée ou de prendre feu.

Ne placez pas de produits susceptibles de s'enflammer au voisinage du four ou de ses ouvertures de ventilation. N'obstruez pas les ouvertures de ventilation.

Retirez toutes les étiquettes, fils, etc., métalliques qui peuvent se trouver sur l'emballage des aliments. Ces éléments métalliques peuvent entraîner la formation d'un arc électrique et causer un incendie.

N'utilisez pas ce four micro-ondes pour faire de la friture. La température de l'huile ne peut pas être contrôlée et l'huile risquerait de s'enflammer.

Pour faire des popcorns, n'utilisez que des ustensiles conçus pour les fours à micro-ondes.

Ne conservez aucun aliment ou produit à l'intérieur du four.

Vérifiez les réglages après la mise en service du four et assurez-vous que le four fonctionne correctement.

Ne laissez pas le four sans surveillance pendant qu'il fonctionne.

Pour éviter toute surchauffe ou tout incendie, faites attention lorsque vous cuisinez ou réchauffez des plats ayant une forte proportion de sucre ou de graisse, par exemple des saucisses, des tartes ou des gâteaux. Reportez-vous aux conseils correspondants dans le manuel d'utilisation.

Pour éviter toute blessure. AVERTISSEMENT :

N'utilisez pas le four s'il est endommagé ou ne fonctionne pas normalement. Vérifiez les points suivants avant toute utilisation du four.

- a) Assurez-vous que la porte ferme correctement, qu'elle ne présente pas de défaut d'alignement et qu'elle n'est pas voilée.
- b) Assurez-vous que les charnières et les loquets de la porte de sécurité ne sont pas brisés ou lâches.
- c) Assurez-vous que les joints de porte et surfaces de contact ne sont pas endommagés.
- d) Assurez-vous que l'intérieur de la cavité et de la porte n'est pas cabossé.
- e) Assurez-vous que le cordon d'alimentation et sa prise ne sont pas endommagés.

Si la porte ou les joints de porte sont endommagés, n'utilisez pas le four jusqu'à ce qu'il soit réparé par du personnel qualifié.

Vous ne devez rien réparer ou remplacer par vous-même dans le four. Faites appel à du personnel qualifié. N'essayez pas de démonter l'appareil ni d'enlever le dispositif de protection contre l'énergie micro-ondes, vous risqueriez d'endommager le four et de vous blesser.

Ne faites pas fonctionner le four avec la porte ouverte et ne modifiez pas les loquets de sécurité de la porte d'une quelconque manière. N'utilisez pas le four si un objet est interposé entre le joint de porte et la surface de contact du joint.

Évitez que la graisse ou la saleté ne s'accumulent sur le joint de porte ou sur la surface des pièces proches. Nettoyez le four à intervalles réguliers et retirez tous les déchets de nourriture.

Suivez les instructions d'« Entretien et nettoyage ». Le non-respect des consignes de nettoyage du four entraînera une détérioration des surfaces susceptible d'affecter le bon fonctionnement de l'appareil et de présenter des risques.

Si vous avez un STIMULATEUR CARDIAQUE, consultez votre médecin ou le fabricant du stimulateur afin de vous renseigner sur les précautions à prendre lors de l'utilisation du four.

Pour éviter toute décharge électrique.

- Ne retirez en aucun cas le boîtier externe.
- N'introduisez aucun objet ou liquide dans les ouvertures des verrous de la porte ou dans les ouvertures d'aération. Si un liquide pénètre dans le four, mettez immédiatement le four hors tension, débranchez la fiche du cordon d'alimentation et adressez-vous à un technicien d'entretien agréé par SHARP.
- Ne plongez jamais la fiche du cordon d'alimentation dans l'eau ou tout autre liquide.
- Veillez à ce que le cordon d'alimentation ne pende pas à l'extérieur de la table ou du meuble sur lequel est posé le four.
- Veillez à ce que le cordon d'alimentation soit éloigné des surfaces chauffées, y compris de l'arrière du four.
- Gardez l'appareil et son cordon d'alimentation hors de portée des enfants de moins de 8 ans.
- Ne tentez pas de remplacer vous-même la lampe du four et ne laissez personne d'autre qu'un électricien agréé par SHARP faire ce travail. Si la lampe du four grille, adressez-vous au revendeur ou à un agent d'entretien agréé par SHARP.
- Si le cordon d'alimentation est endommagé, il doit être remplacé par un agent de service SHARP agréé.

AVERTISSEMENT : Les liquides ou autres aliments ne

doivent pas être réchauffés dans des récipients fermés, ceux-ci étant susceptibles d'exploser. Le réchauffage des boissons au micro-ondes peut entraîner une ébullition explosive différée ; faites donc bien attention lors de la manipulation du récipient. Pour éviter toute explosion ou ébullition soudaine :

N'utilisez jamais de récipients fermés. Retirez les joints et les couvercles avant de les utiliser. Les récipients scellés peuvent exploser en raison d'une accumulation de pression, même après l'arrêt du four. Faites attention lorsque vous mettez des liquides au micro-ondes. Utilisez un récipient à large ouverture pour permettre aux bulles de s'échapper.

Ne chauffez pas de liquide dans un récipient à col étroit tel qu'un biberon car le contenu du récipient peut déborder rapidement et provoquer des brûlures.

Pour éviter tout débordement de liquide bouillant et brûlure éventuelle :

1. N'utilisez pas de temps de cuisson trop longs.
2. Remuez le liquide avant le chauffage/réchauffage.
3. Il est recommandé de placer une tige de verre ou similaire (non métallique) dans le liquide durant le réchauffage.
4. Conservez le liquide pendant au moins 20 secondes dans le four une fois le chauffage terminé, de manière à éviter toute ébullition soudaine différée.

Veillez ne pas cuire d'œuf dans leur coquille et ne pas réchauffer d'œuf dur entier dans le four micro-ondes, ceux-ci risquant d'exploser même après la cuisson. Pour cuire ou réchauffer des œufs qui n'ont pas été brouillés ou mélangés, percez le jaune et le blanc. Retirez la coquille des œufs durs et coupez les œufs en tranches avant de les réchauffer dans un four à micro-ondes.

Percez la peau des aliments tels que pommes de terre et saucisses avant de les cuire, ceux-ci pouvant exploser.

AVERTISSEMENT : Le contenu des biberons et pots pour bébé doit être agité ou secoué et la température vérifiée avant leur consommation pour éviter toute brûlure. Utilisez un porte-récipient ou des gants de cuisine anti-chaueur lorsque vous retirez les aliments du four de façon à éviter toute brûlure. Pour éviter tout risque de brûlure :

- Ouvrez toujours les récipients, les appareils à popcorn, les sacs de cuisson au four, etc. loin du visage et des mains pour éviter les brûlures de vapeur et les éruptions d'ébullition. Pour éviter les brûlures, testez toujours la température des aliments, remuez avant de servir et prêtez une attention particulière à la température des aliments et des boissons offertes aux bébés, aux enfants ou aux personnes âgées. Les parties accessibles peuvent chauffer en cours d'utilisation. Les jeunes enfants devraient être tenus à l'écart.
- La température du récipient n'est pas un bon indicateur de la température des aliments, vérifiez toujours la température des aliments.
- Tenez-vous éloigné du four lors de l'ouverture de la porte, de manière à éviter toute brûlure due à la vapeur ou à la chaleur.
- Coupez en tranches les plats cuisinés farcis après chauffage afin de laisser s'échapper la vapeur et d'éviter les brûlures.
- Ne laissez pas les enfants s'approcher de la porte pour éviter qu'ils ne se brûlent.

AVERTISSEMENT : Ne laissez un enfant âgé de 8 ans ou moins utiliser le four sans supervision que si vous lui avez donné des instructions adéquates, afin que l'enfant soit capable d'utiliser le four de manière sûre et comprenne les dangers d'une utilisation abusive.

Lorsque l'appareil est en mode GRIL, MIX GRIL, CONVEC-

TION, MIX CONVECTION ou MENU AUTO (modes applicables en fonction du modèle), les enfants ne doivent utiliser le four que sous la supervision d'un adulte, en raison des hautes températures générées.

Cet appareil n'est pas conçu pour être utilisé par des personnes (y compris des enfants) ayant des capacités physiques, sensorielles ou mentales réduites ou manquant d'expérience et de connaissances, sauf s'ils sont supervisés ou si des instructions concernant l'utilisation de l'appareil leur ont été données par une personne responsable de leur sécurité.

Les enfants doivent être supervisés pour s'assurer qu'ils ne jouent pas avec

l'appareil. Le nettoyage par les enfants doit être surveillé.

Les modèles avec écran tactile électronique sont activés par un mode de verrouillage enfant.

Ne vous appuyez pas ou ne vous accrochez pas sur la porte du four. N'utilisez pas le four comme un jouet.

Vous devez enseigner aux enfants les consignes de sécurité comme l'usage d'un porte-récipient et le retrait avec précaution de l'emballage des produits alimentaires. Vous devez leur dire de porter une attention particulière aux emballages conçus pour rendre la nourriture croustillante (par exemple, ceux destinés à griller un aliment) dont la température peut être très élevée.

Autres avertissements

Veuillez ne pas modifier le four en aucune manière.

Veuillez ne pas déplacer le four pendant son fonctionnement.

Cet appareil est destiné à un usage domestique. Ce four sert à la préparation d'aliments à domicile seulement et ne peut pas être utilisé pour la cuisson d'aliments et de boissons. Le sé-

chage de la nourriture ou de tissus et le chauffage de coussins chauffants, de pantoufles, d'éponges, de linge humide et autres peuvent entraîner des risques de blessures ou d'incendie. Cet appareil ne convient pas pour un usage commercial ou de laboratoire.

Pour éviter une anomalie de fonctionnement et pour éviter d'endommager le four.

N'utilisez jamais ce four à vide. Si vous utilisez un plat brunisseur ou un plat en matière auto-chauffante, interposez une protection contre la chaleur (par exemple, un plat en porcelaine) de manière à ne pas endommager la base du four. Le temps de préchauffage précisé dans le livre de recettes ne doit pas être dépassé.

N'utilisez pas de récipients métalliques, qui reflètent les micro-ondes et peuvent causer des arcs électriques. Ne placez pas de cannettes dans le four.

Pour éviter que le plateau rotatif ou la base du four ne cède :

- a) Avant de nettoyer avec de l'eau, laissez refroidir.
- b) Ne placez pas d'aliments ou d'ustensiles chauds ou froids sur le plateau rotatif/la base du four froide.
- c) Ne posez aucun objet sur le boîtier du four pendant son fonctionnement.

REMARQUE :

N'utilisez pas des récipients en plastique pour la fonction micro-ondes si le four est encore chaud après l'utilisation d'un mode combiné (en fonction du modèle de four), car ces objets pourraient fondre.

Les récipients en plastique ne doivent pas être utilisés dans les modes ci-dessus, sauf si le fabricant de conteneurs indique qu'ils sont appropriés pour cet usage.

Si vous avez des doutes quant à la manière de brancher le four,

consultez un technicien qualifié.

Ni le fabricant ni le distributeur ne sauraient être tenus responsables des dommages occasionnés au four ou des blessures personnelles qui résulteraient d'une mauvaise observation des consignes de branchement électrique.

Des gouttes d'eau peuvent se former sur les parois de la cavité du four, autour des joints et des surfaces d'étanchéité. Ceci est normal et n'est pas une indication d'un mauvais fonctionnement ou de fuites de micro-ondes.

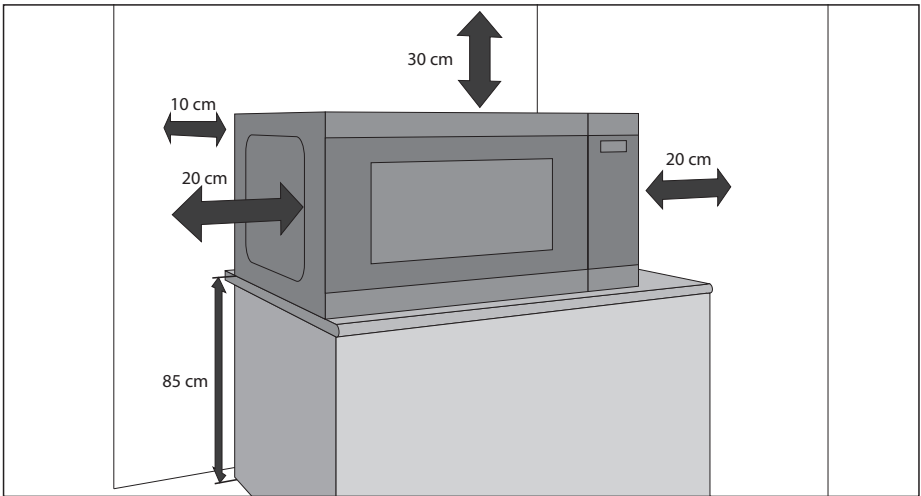
Cet appareil est destiné à être utilisé dans des applications domestiques et similaires telles que : les espaces cuisine réservés au personnel des magasins, bureaux et autres environnements professionnels / les fermes / l'utilisation par les clients dans des hôtels, motels et autres environnements de type résidentiel / les environnements de type Bed and Breakfast.



Ce symbole signifie que les surfaces sont susceptibles de chauffer pendant l'utilisation.

INSTALLATION

1. Retirez tous les éléments d'emballage de l'intérieur de la cavité du four et enlevez le film protecteur protégeant la surface du boîtier du four micro-ondes.
 2. Vérifiez soigneusement que le four ne présente aucun signe de dommages.
 3. Placez le four sur une surface sûre, plane et suffisamment solide pour supporter le poids du four, plus le poids de l'aliment le plus lourd à cuire dans le four. Ne placez pas le four dans un placard.
 4. Sélectionnez une surface plane fournissant assez d'espace libre pour les grilles d'aération d'entrée et de sortie. Voir l'image sur la première page. La surface arrière de l'appareil doit être placée contre un mur.
- La hauteur minimale d'installation est de 85 cm.
 - Un espace minimum de 20 cm est requis entre les bords du four micro-ondes et les murs ou objets adjacents.
 - Gardez un espace d'au moins 30 cm au-dessus du four.
 - Ne retirez pas les pieds du bas du four.
 - Bloquer l'entrée et/ou la sortie d'aération peut endommager le four
 - Placez le four aussi loin que possible des radios et TV. Le fonctionnement du four à micro-ondes peut causer des interférences sur votre signal radio ou TV.



5. Branchez la fiche du cordon d'alimentation dans une prise murale standard (avec prise de terre).

AVERTISSEMENT :

Ne placez pas le four dans un endroit générant de la chaleur ou des niveaux élevés d'humidité (par exemple, près ou au-dessus d'un four conventionnel) ou près de matériaux combustibles (par ex. rideaux).

Ne bloquez ou n'obstruez pas les ouvertures de ventilation.

Ne placez pas d'objet sur le four.

Ne touchez pas l'extérieur du four micro-ondes pendant ou peu après fonctionnement, car il sera chaud.


PERTURBATIONS RADIO

Le fonctionnement du four micro-ondes peut provoquer des interférences pour les radios, télévisions et équipements similaires. En cas d'interférences, vous pouvez les réduire ou les éliminer en prenant les mesures suivantes :

1. Nettoyez la porte et la cavité où elles se rencontrent.
2. Changez la direction de l'antenne de réception de la radio ou de la télévision.
3. Déplacez le four à micro-ondes par rapport au récepteur.
4. Branchez le four à micro-ondes dans une autre prise de courant de façon à ce que le four à micro-ondes et le récepteur soient sur des circuits différents.

INSTRUCTIONS DE MISE À LA TERRE

Cet appareil doit être mis à la terre. Cet appareil est équipé d'un cordon doté d'un fil de mise à la terre avec une fiche de mise à la terre. La fiche doit être branchée sur une prise correctement installée et mise à la terre. En cas de court-circuit électrique, la mise à la terre réduit le risque de choc électrique en fournissant une voie d'échappement pour le courant électrique. Il est recommandé de prévoir un circuit séparé desservant uniquement le four.

 **AVERTISSEMENT : Une mauvaise utilisation de la prise de mise à la terre peut entraîner un risque d'électrocution.**

REMARQUE :

1. Si vous avez des questions concernant la mise à la terre ou l'installation électrique, veuillez consulter un électricien qualifié ou un agent de service.
2. Ni le fabricant ni le distributeur ne sauraient être tenus responsables des dommages occasionnés au four ou des blessures personnelles qui résulteraient d'une mauvaise observation des consignes de branchement électrique.

La fiche secteur utilisée dans votre four à micro-ondes utilise des fils respectant le code couleur suivant :

Vert et jaune = TERRE

Bleu = NEUTRE

Marron = SECTEUR

SPÉCIFICATIONS

Nom du modèle :	YC-PS204A	YC-PS234A	YC-PS254A	YC-PG204A	YC-PG234A	YC-PG254A	YC-PG284A	
Tension d'alimentation	230-240 V, 50 Hz, monophasé							
Fusible/disjoncteur de protection	10 A							
Puissance :	700 W	900 W	900 W	700 W	900 W	900 W	900 W	
	Gril				900 W	1000 W	1000 W	1000 W
	Mode arrêt	< 0,5 W						
	Mode économie d'énergie	> 0,5 W						
Consommation électrique :	1200 W	1400 W	1400 W	1400 W	1400 W	1400 W	1400 W	
Fréquence des micro-ondes	2450 MHz*							
Dimensions extérieures (L) x (H) x (P) mm	455 x 274 x 334	483 x 281 x 377	483 x 281 x 403	455 x 274 x 345	483 x 281 x 395	483 x 281 x 403	539 x 309 x 441	
Dimensions de la cavité (L) x (H) x (P)** mm	315 x 198 x 297	340 x 220 x 320	340 x 220 x 344	315 x 198 x 297	340 x 220 x 320	340 x 220 x 344	354 x 220 x 358	
Capacité du four	20 litres**	23 litres**	25 litres**	20 litres**	25 litres**	25 litres**	28 litres**	
Diamètre du plateau tournant	245 mm	270 mm	270 mm	245 mm	270 mm	270 mm	325 mm	
Taille de grille du gril (L) x (P) mm				190 x 79	80 x 208	80 x 208	89 x 285	
Poids	environ 10,5 kg	environ 12,9 kg	environ 13,5 kg	environ 10,9 kg	environ 13,9 kg	environ 13,7 kg	environ 16,6 kg	
Lampe du four (type DEL)	1,5 W							

* - Ce produit répond aux exigences de la norme européenne EN55011. Conformément à cette norme, ce produit est un équipement de groupe 2, classe B. Groupe 2 signifie que cet équipement génère volontairement de l'énergie RF sous forme de rayonnement électromagnétique pour le traitement thermique d'aliments. Classe B signifie que l'équipement est adapté à une utilisation domestique.

** - La capacité intérieure est calculée en multipliant la largeur, la profondeur et la hauteur maximales. La contenance réelle pour les aliments est inférieure à cette valeur

LES SPÉCIFICATIONS PEUVENT ÊTRE CHANGÉES SANS PRÉAVIS LORS D'AMÉLIORATIONS APPORTÉES À L'APPAREIL.

FOUR ET ACCESSOIRES

1. Système de verrouillage de sécurité de la porte
2. Vitre du four
3. Anneau roulant
4. Couplage de plateau rotatif
5. Bouton rotatif et touches de commande
6. Boîtier du guide d'ondes (ne pas enlever)
7. Plateau de verre
8. Porte-grille pour YC-PG204A, YC-PG234A, YC-PG254A et YC-PG284A
9. Ouvertures de ventilation
10. Boîtier extérieur
11. Cordon d'alimentation

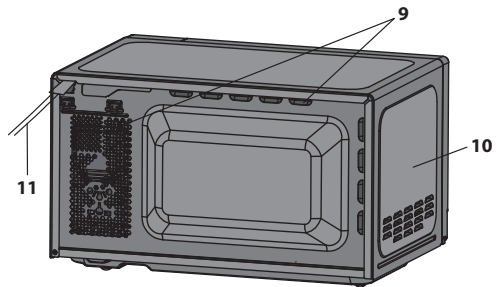
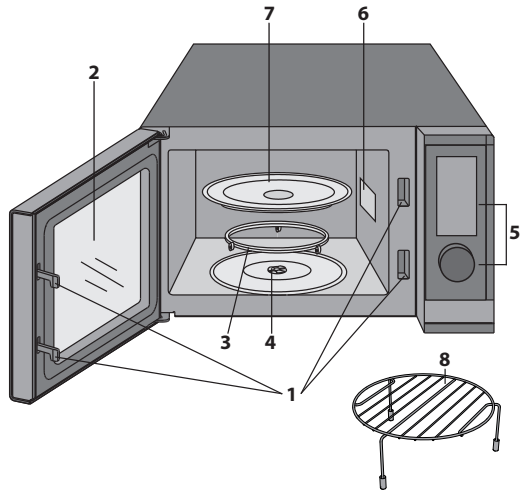
Assurez-vous que les accessoires suivants sont bien fournis avec le four :

Fours à gril uniquement :

- **Porte-grille** – à utiliser uniquement pour la cuisson sur la fonction gril.
- Le porte-grille est conçu pour être utilisé uniquement avec les fours à gril. N'utilisez PAS la grille lorsque vous utilisez la fonction micro-ondes.
- Pour l'utilisation du porte-grille, reportez-vous aux sections GRIL de ce manuel d'utilisation.

Ne touchez jamais la grille lorsqu'elle est chaude.

REMARQUE : Lorsque vous commandez des accessoires, mentionnez deux éléments : le nom de la pièce et le nom du modèle.



REMARQUES :

- Après la cuisson d'aliments gras sans couvercle, nettoyez toujours la cavité de manière approfondie, celle-ci devant être sèche et exempte de graisse. La graisse accumulée peut chauffer et commencer à fumer, voire s'enflammer.
- Lors de la cuisson au micro-ondes, placez toujours les ustensiles de cuisine sur le plateau tournant.
- N'utilisez PAS le porte-grille avec la fonction micro-ondes uniquement.

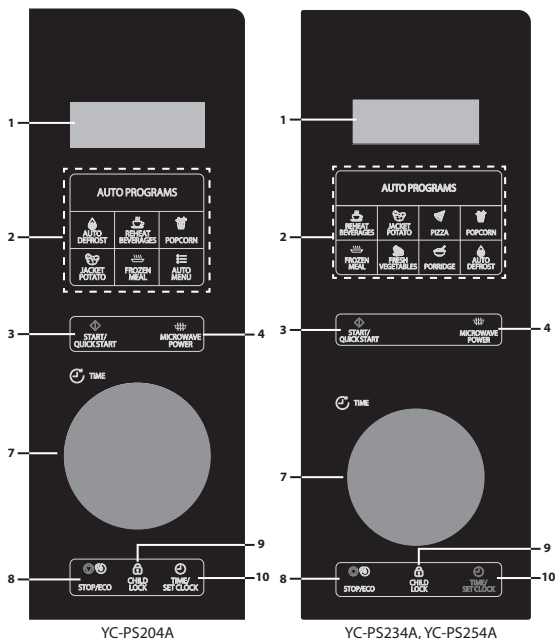
⚠ AVERTISSEMENT : **⚠** Ce symbole signifie que les surfaces sont susceptibles de chauffer pendant l'utilisation. La porte, le boîtier extérieur, la cavité du four et les accessoires peuvent devenir très chauds durant le fonctionnement. Pour éviter de vous brûler, utilisez toujours d'épais gants de cuisine anti-chaaleur pour four.

PANNEAU DE COMMANDE

- AFFICHAGE NUMÉRIQUE** – Temps de cuisson, puissance, indicateurs et horloge sont affichés.
- Touches MENU AUTO** – Appuyez pour sélectionner le menu de cuisson automatique. (Consultez la page 19 pour des conseils d'utilisation).
- START/QUICK START** (DÉMARRER/ DÉMARRAGE RAPIDE) – (Page 18).
- MICROWAVE POWER** (PUISSANCE DU MICRO-ONDES) – Appuyez pour sélectionner le niveau de puissance du micro-ondes. (Page 17).
- GRILL** (GRIL) – Appuyez pour lancer le programme de cuisson par grill. (Page 18).
- MICROWAVE+GRILL** (MICRO-ONDES+GRIL) – Appuyez sur régler le programme de cuisson combinée micro-ondes et grill. (Page 18).
- BOUTON ROTATIF** - Tournez dans le sens horaire ou antihoraire pour régler diverses fonctions.
- STOP/ECO** (ARRÊTER/ECO) – Appuyez une fois pour arrêter temporairement la cuisson, ou deux fois pour annuler la cuisson complètement.
- CHILD LOCK** (VERROUILLAGE ENFANT) – (Page 24).
- TIME/SET CLOCK** (HEURE/RÉGLER HORLOGE) – Utilisez pour régler l'horloge. Utilisez la fonction de réglage du minuteur. (Page 16).

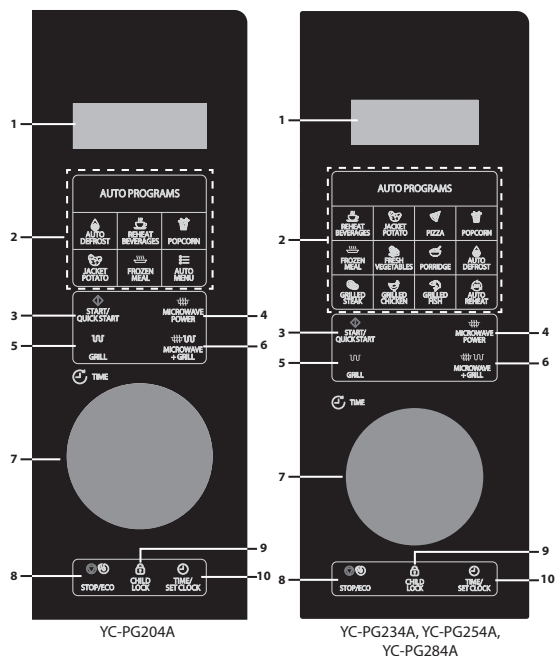
Utilisez pour définir le mode d'économie d'énergie. (Page 23).

Utilisez la fonction de réglage du minuteur. (Page 16).



YC-PS204A

YC-PS234A, YC-PS254A



YC-PG204A

YC-PG234A, YC-PG254A,
YC-PG284A

AVANT D'UTILISER LE FOUR

Lorsque le four est branché pour la première fois, un bip retentit et l'écran affiche **1:00**. Notez qu'il n'est pas nécessaire de régler l'horloge pour que le four fonctionne correctement. Pour régler l'horloge, suivez les instructions dans la section **Réglage de l'horloge** de ce manuel d'utilisation.

Lorsque le gril est neuf, la toute première fois qu'il est utilisé, il dégage de la fumée et des odeurs. Pour éviter que cela ne se produise pendant la cuisson d'aliments, utilisez la fonction gril sans aliments pendant environ 20 minutes.

- Après avoir ouvert et fermé la porte, le four passe en mode veille. Si vous n'appuyez sur aucune touche dans un délai d'une minute, l'affichage reste allumé et les boutons ne fonctionnent pas. Pour repasser en mode veille, ouvrez et fermez la porte.
- Pendant la cuisson, si vous appuyez sur **ARRÊTER/ECO** une fois, le cycle de cuisson est interrompu. Pour reprendre la cuisson, appuyez sur **DÉMARRER/DÉMARRAGE RAPIDE**. Si vous appuyez sur **ARRÊTER/ECO** deux fois, la cuisson est annulée.
- Lorsque vous programmez le four pour une fonction particulière et qu'il y a une pause de plus de 30 secondes entre deux pressions sur une touche, le four revient en mode veille.
- Une fois un cycle de cuisson terminé, l'écran affiche **End** et une tonalité se fera entendre toutes les deux minutes jusqu'à ce qu'un bouton soit enfoncé ou que la porte soit ouverte.

RÉGLAGE DE L'HORLOGE

Ce four est équipé d'une horloge qui peut être utilisée en mode 12 ou 24 heures. Pour régler l'horloge, suivez les instructions ci-dessous :

1. En mode veille, appuyez sur **HEURE/RÉGLER HORLOGE** pendant au moins 3 secondes pour entrer dans le mode de réglage de l'horloge.
 2. Appuyez sur **HEURE/RÉGLER HORLOGE** pour sélectionner le mode horloge à 12 ou 24 heures.
 3. Tournez le **BOUTON ROTATIF** pour régler l'heure. Appuyez sur **HEURE/RÉGLER HORLOGE** pour confirmer.
 4. Tournez le **BOUTON ROTATIF** pour régler les minutes. Appuyez sur **HEURE/RÉGLER HORLOGE** pour mémoriser les valeurs et fermer le mode de réglage de l'horloge.
- Il n'est pas nécessaire de régler l'horloge pour que le four fonctionne normalement.
 - En mode cuisson, appuyez sur **HEURE/RÉGLER HORLOGE** pour voir l'heure du jour (si elle est définie). L'heure repasse au compte à rebours de cuisson après cinq secondes. Notez que l'heure ne peut pas être visualisée si la minuterie de cuisine a été réglée.

CUISSON AU MICRO-ONDES

Pour utiliser la fonction micro-ondes, suivez les instructions données ci-dessous :

1. En mode veille, appuyez sur **PUISSANCE MICRO-ONDES** pour sélectionner le niveau de puissance. À chaque pression, l'écran affiche le niveau de puissance du micro-ondes.
2. Une fois le niveau de puissance de micro-ondes souhaité sélectionné, tournez le **BOUTON ROTATIF** pour sélectionner le temps de cuisson.
3. Appuyez sur la touche **DÉMARRER/DÉMARRAGE RAPIDE** pour démarrer la cuisson.
4. Une fois le cycle de cuisson terminé, l'écran affiche **End** et une tonalité se fera entendre toutes les deux minutes jusqu'à ce qu'un bouton soit enfoncé ou que la porte soit ouverte.

Notez que le tableau ci-dessous est donné à titre indicatif. Votre four dispose de 10 niveaux de puissance micro-ondes : 10%, 20%, 30%, 40%, 50%, 60%, 70%, 80%, 90% et 100 %. La puissance de sortie réelle peut être calculée en multipliant la puissance du micro-ondes par le pourcentage.

Guide de cuisson au micro-ondes :

Affichage	Puissance micro-ondes	Utilisation recommandée
P100	100 %	Utilisez ce réglage pour la cuisson rapide ou le réchauffage, par ex., de plats cuisinés, boissons chaudes, légumes, etc.
P-80	80 %	Convient aux aliments denses nécessitant une cuisson traditionnelle prolongée (les plats de bœuf par exemple). Ce niveau de puissance est recommandé pour obtenir une viande tendre.
P-60	60 %	Utilisé pour la cuisson prolongée d'aliments denses comme les rôtis, les pains de viande et les plats cuisinés, ainsi que pour les plats délicats comme les sauces au fromage et les génoises.
P-40	40 %	Réglage de décongélation : sélectionnez ce niveau de puissance, afin de s'assurer que les aliments décongèlent de manière uniforme. Ce réglage est aussi parfait pour la cuisson du riz, des pâtes, des raviolis chinois et de la crème anglaise.
P-20	20 %	Pour une décongélation légère, par ex. pour les gâteaux à la crème ou pâtisseries.

- Pendant la cuisson, vous pouvez vérifier le niveau de puissance de cuisson en appuyant longuement sur la touche **PUISSANCE MICRO-ONDES**.
- Le temps de cuisson le plus long est de 95 minutes.

DÉMARRAGE RAPIDE

Si vous avez besoin de cuisiner à un niveau de puissance de 100 %, appuyez simplement sur **DÉMARRER/ DÉMARRAGE RAPIDE** sur le **BOUTON ROTATIF** en mode veille. Chaque fois que vous appuyez sur **DÉMARRER/ DÉMARRAGE RAPIDE**, cela ajoutera 30 secondes au temps de cuisson.

CUISSON AU GRIL*

L'élément chauffant du gril situé en haut de la cavité du four n'a qu'un seul réglage de puissance. Il est efficace et économique. Le gril est idéal pour la cuisson du bacon, du bifteck de porc, des bâtonnets de poisson et des gâteaux au thé.

Utilisez le porte-grille pour griller de petits aliments tels que le bacon et les saucisses, en les retournant à mi-cuisson. Les aliments peuvent être placés directement sur la grille, dans un plat à tarte ou sur une assiette résistant à la chaleur. Pour éviter que la graisse ou l'huile ne s'égoutte des aliments pendant la cuisson, veillez à placer un plateau approprié sous le porte-grille.

Pour faire dorer et croustiller la surface des aliments dans un plat à gratin, la grille peut être utilisée si le récipient est suffisamment peu profond. Cependant, il est conseillé de placer ces récipients directement sur le plateau tournant, afin de leur laisser un peu plus de temps pour dorer et croustiller comme souhaité. Il n'est pas possible d'utiliser le porte-grille pour les grillades.

Pour utiliser la fonction gril, suivez les instructions ci-dessous :

1. En mode veille, appuyez sur **GRIL** pour sélectionner la fonction gril. L'écran affichera **Grill**
2. Tournez le **BOUTON ROTATIF** pour sélectionner le temps de cuisson.
3. Appuyez sur la touche **DÉMARRER/ DÉMARRAGE RAPIDE** pour démarrer la cuisson.
4. Une fois le cycle de cuisson terminé, l'écran affiche **End** et une tonalité se fera entendre toutes les 2 minutes jusqu'à ce qu'un bouton soit enfoncé ou que la porte soit ouverte.

* - Uniquement pour les modèles avec grill.

MICRO-ONDES + GRIL*

En utilisant à la fois les fonctions micro-ondes et gril, il est possible de faire dorer et cuire les aliments rapidement.

Pour utiliser les fonctions micro-ondes et gril, suivez les instructions ci-dessous :

1. En mode veille, appuyez sur **MICROWAVE + GRILL** une ou deux fois pour sélectionner « Co-1 » ou « Co-2 ».
2. Tournez le **BOUTON ROTATIF** pour définir le temps de cuisson.
3. Appuyez sur la touche **DÉMARRER/ DÉMARRAGE RAPIDE** pour démarrer.
4. Une fois le cycle de cuisson terminé, l'écran affiche **End** et une tonalité se fera entendre toutes les deux minutes jusqu'à ce qu'un bouton soit enfoncé ou que la porte soit ouverte.

Fonction micro-ondes + gril

Affichage	Sortie	Utilisation recommandée
Co-1	70 % grill 30 % micro-ondes	Morceaux de poulet, poitrines de poulet, côtelettes de porc
Co-2	56 % grill 44 % micro-ondes	Poulet entier

- Le temps maximal de cuisson avec le gril est de 95 minutes.
- Pendant la cuisson, laissez la fumée ou les odeurs se disperser en ouvrant une fenêtre ou en mettant en marche la ventilation de la cuisine. Ce phénomène est normal et ne constitue pas un défaut du four.
- Pendant la cuisson, vous pouvez vérifier la puissance de cuisson combinée actuelle en appuyant sur **MICRO-ONDES + GRIL**.
- Lorsque vous utilisez la fonction gril, le gril s'allume et s'éteint à intervalles réguliers afin d'éviter toute surchauffe.
- Lors de l'utilisation de la fonction MICRO-ONDES+GRIL, les aliments peuvent être placés dans un récipient approprié directement sur le plateau tournant du four ou sur le porte-grille fourni.

ATTENTION : La porte, le boîtier extérieur, la cavité du four et les accessoires peuvent devenir très chauds durant le fonctionnement. Pour éviter de vous brûler, utilisez toujours d'épais gants de cuisine anti-chaleur pour four.

* - Uniquement pour les modèles avec grill.

MENU AUTO

Pour plus de commodité, les programmes automatiques permettent de cuire les aliments rapidement et efficacement en appuyant sur quelques touches seulement. Il n'est pas nécessaire de programmer la durée et la puissance de cuisson, il suffit d'appuyer sur la touche de cuisson automatique souhaitée, d'entrer le poids et la quantité/le poids des aliments à cuire en tournant le **BOUTON ROTATIF** et d'appuyer sur le bouton **DÉMARRER/DÉMARRAGE RAPIDE**.

Par exemple, pour faire cuire deux pommes de terre au four.

1. Ouvrez la porte et placez les aliments dans le four à l'aide d'ustensiles adaptés au cycle de cuisson utilisé.
2. Fermez la porte.
3. Appuyez une fois sur la touche **JACKET POTATO**.
4. Tournez le **BOUTON ROTATIF** pour entrer le nombre de pommes de terre.
5. Appuyez sur la touche **DÉMARRER/DÉMARRAGE RAPIDE** pour confirmer.
6. Une fois le cycle de cuisson terminé, l'écran affiche **End** et une tonalité se fera entendre toutes les deux minutes jusqu'à ce qu'un bouton soit enfoncé ou que la porte soit ouverte.

Menus à cuisson automatique :

Programme automatique	Taille/Poids
Plat surgelé Décongélation automatique Réchauffage automatique	Sélectionnez le poids en tournant le BOUTON ROTATIF . Plat surgelé et réchauffage automatique (200 à 800 g), décongélation automatique (100 à 1800 g)
Réchauffer des boissons	Sélectionnez le nombre de tasses (200 mL chacune) en tournant le BOUTON ROTATIF , de 1 à 3 tasses.
Pommes de terre en robe des champs	Sélectionnez le nombre de pommes de terre (230 mL chacune) en tournant le BOUTON ROTATIF , de 1 à 2 pommes de terre.
Pizza	Sélectionnez le poids de la pizza (150 g/300 g/450 g) en tournant le BOUTON ROTATIF .
Popcorn	Sélectionnez le nombre de paquets de pop-corn (100 g chacun) en tournant le BOUTON ROTATIF .
Légumes frais	Sélectionnez le poids des légumes (200 à 600 g) en tournant le BOUTON ROTATIF .
Porridge	Sélectionnez le poids du porridge (en grammes) en tournant le BOUTON ROTATIF , de 50 à 150 g.
Steak grillé (modèles à gril uniquement)	Sélectionnez le poids du steak (200 à 600 g) en tournant le BOUTON ROTATIF .
Poulet grillé (modèles à gril uniquement)	Sélectionnez le poids du poulet (200 à 600 g) en tournant le BOUTON ROTATIF .
Poisson grillé (modèles à gril uniquement)	Sélectionnez le poids du poisson (200 à 600 g) en tournant le BOUTON ROTATIF .

- Le résultat de la cuisson automatique dépend de facteurs tels que la forme et la taille des aliments, votre préférence personnelle quant à la cuisson de certains aliments et la façon dont les aliments sont placés dans le four. Si le résultat de la cuisson n'est pas satisfaisant, ajustez le temps de cuisson en conséquence.

Remarque : Le bouton Menu Auto est uniquement utilisé sur les modèles YC-PG204A et YC-PS204A. Chaque fois que vous appuyez sur Menu Auto, l'écran affiche le programme automatique, comme dans le tableau ci-dessus. Lorsque vous trouvez le menu automatique souhaité, tournez le **BOUTON ROTATIF** pour sélectionner le poids des aliments à cuire.

Détails du programme automatique

Aliment	Quantité	Température initiale	Technique de cuisson
Réchauffer des boissons	1 à 3 tasses 1 tasse = 200 mL	Ambiant	<ol style="list-style-type: none"> Placez la boisson à chauffer au centre du plateau tournant en verre du four à micro-ondes Fermez la porte, appuyez sur la touche REHEAT BEVERAGES (RÉCHAUFFER BOISSONS) et sélectionnez le nombre de tasses en tournant le bouton rotatif. Appuyez sur la touche DÉMARRER/DÉMARRAGE RAPIDE pour démarrer la cuisson. Lorsque la minuterie s'arrête, retirez votre boisson. Faites attention, car votre boisson sera chaude.
Pommes de terre au four	1 à 2 pommes de terre 1 pomme de terre = 230±10 g	Ambiant	<ol style="list-style-type: none"> Lavez et séchez les pommes de terre et piquez leur surface à l'aide d'une fourchette à plusieurs reprises. Placez la ou les pommes de terre au centre du plateau tournant en verre du micro-ondes. Fermez la porte et appuyez sur le bouton JACKET POTATO (POMME DE TERRE AU FOUR) et sélectionnez le nombre de pommes de terre en tournant le bouton rotatif. Appuyez sur la touche DÉMARRER/DÉMARRAGE RAPIDE pour démarrer la cuisson. Lorsque la minuterie s'arrête, retirez la ou les pommes de terre du four à micro-ondes. Faites attention, car les aliments sont chauds.
Pizza	150 à 450 g	Congelé (-18 °C)	<ol style="list-style-type: none"> Placez la pizza sur une assiette allant au micro-ondes au centre du plateau tournant en verre du micro-ondes. Fermez la porte, appuyez sur la touche PIZZA et sélectionnez le poids en tournant le bouton rotatif. Appuyez sur la touche DÉMARRER/DÉMARRAGE RAPIDE pour démarrer la cuisson. Lorsque la minuterie s'arrête, retirez la pizza du micro-ondes. Attention, car les aliments seront chauds.
Popcorn	100 g	Ambiant	<ol style="list-style-type: none"> Placez le pop-corn au centre du plateau tournant en verre du micro-ondes. Fermez la porte et appuyez sur le bouton POPCORN. Appuyez sur la touche DÉMARRER/DÉMARRAGE RAPIDE pour démarrer la cuisson. Lorsque la minuterie s'arrête, retirez le pop-corn du micro-ondes. Attention, car l'aliment sera chaud.
Plat surgelé	200 à 800 g	Congelé (-18 °C)	<ol style="list-style-type: none"> Mettez notre repas surgelé dans un plat allant au micro-ondes et couvrez-le d'un film plastique ; percez des trous dans le plastique. Placez le plat au centre du plateau tournant en verre du micro-ondes. Fermez la porte, appuyez sur la touche FROZEN MEAL (PLAT SURGÉLÉ) et sélectionnez le poids en tournant le bouton rotatif. Appuyez sur la touche DÉMARRER/DÉMARRAGE RAPIDE pour démarrer la cuisson. Lorsque la minuterie s'est arrêtée, sortez le plat et servez-le. Attention, les aliments sont chauds.
Légumes frais	200 à 600 g	Ambiant	<ol style="list-style-type: none"> Lavez et coupez vos légumes en petits morceaux de 25 à 30 mm de long et de 10 mm d'épaisseur. Placez ces morceaux dans un bol en céramique adapté au four à micro-ondes et couvrez-les d'un film plastique ; percez des trous dans le plastique. Placez le bol au centre du plateau tournant en verre du micro-ondes. Fermez la porte et appuyez sur la touche FRESH VEGETABLES (LÉGUMES FRAIS) et sélectionnez le poids en tournant le bouton rotatif. Appuyez sur la touche DÉMARRER/DÉMARRAGE RAPIDE pour démarrer la cuisson. Lorsque la minuterie s'est arrêtée, sortez le plat et servez-le. Attention, les aliments sont chauds.
Porridge	50 à 150 g	Ambiant	<ol style="list-style-type: none"> Mélangez les flocons d'avoine et le lait dans un bol. Nous suggérons 180 mL de lait pour 50 g de flocons d'avoine. Placez le bol au centre du plateau tournant en verre. Fermez la porte, appuyez sur la touche PORRIDGE et sélectionnez le poids en tournant le bouton ROTATIF. Appuyez sur la touche DÉMARRER/DÉMARRAGE RAPIDE pour démarrer la cuisson. Lorsque la minuterie s'arrête, sortez le bol et servez.
Réchauffage automatique	200 à 800 g	Réfrigéré à 5 °C	<ol style="list-style-type: none"> Mettez le riz ou les pâtes dans un bol en céramique adapté aux micro-ondes et couvrez d'un film plastique ; percez des trous dans le plastique. Placez le bol au centre du plateau tournant du four à micro-ondes. Fermez la porte, appuyez sur la touche AUTO REHEAT (RÉCHAUFFAGE AUTO) et sélectionnez le poids en appuyant sur les touches HAUT et BAS. Appuyez sur la touche DÉMARRER/DÉMARRAGE RAPIDE pour démarrer la cuisson. Lorsque la minuterie s'arrête, sortez le bol et servez.
Steak grillé	200 à 600 g	Ambiant	<ol style="list-style-type: none"> Répartissez uniformément le steak sur la grille du grill recouverte d'un papier sulfurisé. Placez la grille au centre du plateau tournant en verre du micro-ondes. Fermez la porte et appuyez sur la touche GRILLED STEAK (STEAK GRILLÉ) et sélectionnez le poids en appuyant sur les touches HAUT et BAS. Appuyez sur la touche DÉMARRER/DÉMARRAGE RAPIDE pour démarrer la cuisson. Après les deux tiers du temps de cuisson, ouvrez la porte pour retourner les aliments, puis refermez la porte et poursuivez la cuisson. Lorsque la minuterie s'arrête, sortez le plat et servez-le. Attention, les aliments et les ustensiles sont chauds.
Morceaux de poulet grillés	200 à 600 g	Ambiant	<ol style="list-style-type: none"> Répartissez uniformément les morceaux de poulet sur la grille du grill recouverte d'un papier sulfurisé. Placez la grille au centre du plateau tournant en verre du micro-ondes. Fermez la porte et appuyez sur la touche Grilled Chicken (Poulet grillé) et sélectionnez le poids en tournant le bouton rotatif. Appuyez sur la touche DÉMARRER/DÉMARRAGE RAPIDE pour démarrer la cuisson. Après les deux tiers du temps de cuisson, ouvrez la porte pour retourner les aliments, puis refermez la porte et poursuivez la cuisson. Lorsque la minuterie s'arrête, sortez le plat et servez-le. Attention, les aliments et les ustensiles sont chauds.
Morceaux de poisson grillés	100 à 500 g	Ambiant	<ol style="list-style-type: none"> Répartissez uniformément les morceaux de poisson sur la grille du grill recouverte d'un papier sulfurisé. Placez la grille au centre du plateau tournant en verre du micro-ondes. Fermez la porte et appuyez sur la touche GRILLED FISH (POISSON GRILLÉ) et sélectionnez le poids en tournant le bouton ROTATIF. Appuyez sur la touche DÉMARRER/DÉMARRAGE RAPIDE pour démarrer la cuisson. Après les deux tiers du temps de cuisson, ouvrez la porte pour retourner les aliments, puis refermez la porte et poursuivez la cuisson. Lorsque la minuterie s'arrête, sortez le plat et servez-le. Attention, les aliments et les ustensiles sont chauds.

Remarque	Mode de cuisson et méthode utilisée	YC-PS204A	YC-PS234A et YC-PS254A	YC-PG204A	YC-PG234A, YC-PG254A et YC-PG284A
	Micro-ondes uniquement à 100 %	1 tasse - 1:40 minute 2 tasses : 3:00 minutes 3 tasses : 4:20 minutes	1 tasse - 1:30 minute 2 tasses : 2:40 minutes 3 tasses : 3:50 minutes	1 tasse - 1:40 minute 2 tasses : 3:00 minutes 3 tasses : 4:20 minutes	1 tasse - 1:30 minute 2 tasses : 2:40 minutes 3 tasses : 3:50 minutes
	Micro-ondes uniquement à 100 %	1 pomme de terre - 6:00 minutes 2 pommes de terre : 9:00 minutes 3 pommes de terre : 13:00 minutes	1 pomme de terre - 5:00 minutes 2 pommes de terre : 8:00 minutes 3 pommes de terre : 12:00 minutes	1 pomme de terre - 6:00 minutes 2 pommes de terre : 9:00 minutes 3 pommes de terre : 13:00 minutes	1 pomme de terre - 5:00 minutes 2 pommes de terre : 8:00 minutes 3 pommes de terre : 12:00 minutes
Pour le YC-PS204A et le YC-PG204A, appuyez sur la touche AUTO MENU (MENU AUTO) jusqu'à ce que le programme apparaisse.	Micro-ondes uniquement à 100 %	150 g - 1:00 minute 300 g - 1:30 minute 450 g : 2:00 minutes	150 g - 0:50 minutes 300 g - 1:20 minute 450 g : 1:50 minutes	150 g - 1:00 minute 300 g - 1:30 minute 450 g : 2:00 minutes	150 g - 0:50 minutes 300 g - 1:20 minute 450 g : 1:50 minutes
	Micro-ondes uniquement à 100 %	100 g : 3:00 minutes	100 g : 2:00 minutes	100 g : 3:00 minutes	100 g : 2:30 minutes
	Micro-ondes à 100 % pendant 1/2 temps, puis à 0 % pendant 1/6 temps et enfin à 100 % pendant 1/3 temps	200 g : 8:00 minutes 400 g : 11:00 minutes 600 g : 15:00 minutes 800 g : 18:00 minutes	200 g : 6:00 minutes 400 g : 9:00 minutes 600 g : 13:00 minutes 800 g : 16:00 minutes	200 g : 8:00 minutes 400 g : 11:00 minutes 600 g : 15:00 minutes 800 g : 18:00 minutes	200 g : 6:00 minutes 400 g : 9:00 minutes 600 g : 13:00 minutes 800 g : 16:00 minutes
Pour le YC-PS204A et le YC-PG204A, appuyez sur la touche AUTO MENU (MENU AUTO) jusqu'à ce que le programme apparaisse.	Micro-ondes uniquement à 100 %	200 g : 3:30 minutes 300 g : 4:30 minutes 400 g : 5:30 minutes 500 g : 6:30 minutes 600 g : 7:30 minutes	200 g : 3:00 minutes 300 g : 4:00 minutes 400 g : 5:00 minutes 500 g : 6:00 minutes 600 g : 7:00 minutes	200 g : 3:30 minutes 300 g : 4:30 minutes 400 g : 5:30 minutes 500 g : 6:30 minutes 600 g : 7:30 minutes	200 g : 3:00 minutes 300 g : 4:00 minutes 400 g : 5:00 minutes 500 g : 6:00 minutes 600 g : 7:00 minutes
Pour le YC-PS204A et le YC-PG204A, appuyez sur la touche AUTO MENU (MENU AUTO) jusqu'à ce que le programme apparaisse.	Micro-ondes - 100 %	50 g : 2:00 minutes 100 g : 3:30 minutes 150 g : 5:30 minutes	50 g : 2:00 minutes 100 g : 3:30 minutes 150 g : 5:30 minutes	50 g : 2:00 minutes 100 g : 3:30 minutes 150 g : 5:30 minutes	50 g : 2:00 minutes 100 g : 3:30 minutes 150 g : 5:30 minutes
Pour le YC-PG204A, appuyez sur la touche AUTO MENU (MENU AUTO) jusqu'à ce que le programme apparaisse.	Micro-ondes uniquement à 100 %	200 g : 2:00 minutes 300 g : 2:40 minutes 400 g : 3:20 minutes 500 g : 4:00 minutes 600 g : 4:40 minutes 700 g : 5:20 minutes 800 g : 6:00 minutes	200 g : 1:30 minutes 300 g : 2:00 minutes 400 g : 2:30 minutes 500 g : 3:00 minutes 600 g : 3:30 minutes 700 g : 4:00 minutes 800 g : 4:30 minutes	200 g : 2:00 minutes 300 g : 2:40 minutes 400 g : 3:20 minutes 500 g : 4:00 minutes 600 g : 4:40 minutes 700 g : 5:20 minutes 800 g : 6:00 minutes	200 g : 1:30 minutes 300 g : 2:00 minutes 400 g : 2:30 minutes 500 g : 3:00 minutes 600 g : 3:30 minutes 700 g : 4:00 minutes 800 g : 4:30 minutes
Pour le YC-PG204A, appuyez sur la touche AUTO MENU (MENU AUTO) jusqu'à ce que le programme apparaisse.	Le micro-ondes fonctionne à 100 % pendant 10 secondes, puis le gril se met en marche pendant 23 secondes. Ce cycle se répète jusqu'à la fin du temps de cuisson. Le micro-ondes et le gril ne sont jamais allumés en même temps.	N/A	N/A	200 g : 15:00 minutes 300 g : 18:00 minutes 400 g : 21:00 minutes 500 g : 24:00 minutes 600 g : 27:00 minutes	200 g : 15:00 minutes 300 g : 18:00 minutes 400 g : 21:00 minutes 500 g : 24:00 minutes 600 g : 27:00 minutes
Pour le YC-PG204A, appuyez sur la touche AUTO MENU (MENU AUTO) jusqu'à ce que le programme apparaisse.	Le micro-ondes fonctionne à 100 % pendant 10 secondes, puis le gril se met en marche pendant 23 secondes. Ce cycle se répète jusqu'à la fin du temps de cuisson. Le micro-ondes et le gril ne sont jamais allumés en même temps.	N/A	N/A	200 g : 15:00 minutes 300 g : 18:00 minutes 400 g : 21:00 minutes 500 g : 24:00 minutes 600 g : 27:00 minutes	200 g : 15:00 minutes 300 g : 18:00 minutes 400 g : 21:00 minutes 500 g : 24:00 minutes 600 g : 27:00 minutes
Pour le YC-PG204A, appuyez sur la touche AUTO MENU (MENU AUTO) jusqu'à ce que le programme apparaisse.	Le micro-ondes fonctionne à 100 % pendant 10 secondes, puis le gril se met en marche pendant 23 secondes. Ce cycle se répète jusqu'à la fin du temps de cuisson. Le micro-ondes et le gril ne sont jamais allumés en même temps.	N/A	N/A	100 g : 12:00 minutes 200 g : 15:00 minutes 300 g : 18:00 minutes 400 g : 21:00 minutes 500 g : 24:00 minutes	100 g : 12:00 minutes 200 g : 15:00 minutes 300 g : 18:00 minutes 400 g : 21:00 minutes 500 g : 24:00 minutes

DÉCONGÉLATION AUTOMATIQUE

La décongélation automatique permet de décongeler les aliments en fonction de leur poids. Le temps de décongélation et le niveau de puissance sont automatiquement réglés une fois la catégorie d'aliments et le poids programmés. Le poids des aliments congelés va de 100 à 1800 g.

1. En mode veille, appuyez sur **DÉCONGÉLATION AUTOMATIQUE**.
2. Tournez le **BOUTON ROTATIF** pour sélectionner le poids des aliments à décongeler.
3. Appuyez sur la touche **START/QUICK START** pour démarrer la décongélation.
4. Si le four s'arrête pendant le cycle de décongélation, retournez les aliments pour assurer une décongélation uniforme, puis appuyez sur **DÉMARRER/DÉMARRAGE RAPIDE** pour décongeler pendant le temps restant.
5. Une fois un cycle de décongélation terminé, l'écran affiche **End** et une tonalité se fera entendre toutes les 2 minutes jusqu'à ce qu'un bouton soit enfoncé ou que la porte soit ouverte.

Dégivrage automatique - Fonctionnement

Modèle	Plage de poids	Plage de temps de décongélation	Opération de dégivrage	Méthode
YC-PG204A	100 à 1800 g	5,5 à 39,5 minutes	Passez au four à micro-ondes à 40 % pendant 1/3 du temps, puis à 20 % pendant le 1/3 du temps suivant. L'appareil vous invite à retourner l'aliment et, une fois cela fait, il décongèle à 20 % pendant le reste du temps.	<ol style="list-style-type: none"> 1. Mettez vos aliments surgelés dans un plat allant au micro-ondes et couvrez-les d'un film plastique ; percez des trous dans le plastique. 2. Placez le plat au centre du plateau tournant en verre du micro-ondes. 3. Fermez la porte, appuyez sur la touche AUTO DEFROST (DÉGIVRAGE AUTO) et sélectionnez le poids en tournant le BOUTON ROTATIF. 4. Appuyez sur la touche DÉMARRER/DÉMARRAGE RAPIDE pour lancer la décongélation. 5. Au milieu du cycle de décongélation, le four s'arrête et demande que les aliments soient retournés. 6. Ouvrez la porte et retournez/réorganisez les aliments. Fermez la porte. 7. Appuyez sur la touche DÉMARRER/DÉMARRAGE RAPIDE pour poursuivre la décongélation. 8. Lorsque la minuterie s'arrête, retirez les aliments du four. Vérifiez que les aliments sont bien décongelés.
YC-PG204A	100 à 1800 g	5 à 39 minutes		
YC-PS234A et YC-PG234A	100 à 1800 g	5,5 à 39,5 minutes	Passez au micro-ondes à 20 % pendant la moitié du temps, puis l'appareil demande de retourner les aliments. 20 % de puissance pour le temps restant.	
YC-PS254A, YC-PG254A et YC-PG284A	100 à 1800 g	3 à 37 minutes	Passez au four à micro-ondes à 30 % pendant 1/3 du temps, puis à 20 % pendant le 1/3 du temps suivant. L'appareil vous invite à retourner l'aliment et, une fois cela fait, il décongèle à 20 % pendant le reste du temps.	

RÉCHAUFFAGE AUTOMATIQUE*

Le four permet de décongeler des aliments en fonction du poids saisi par l'utilisateur. Le temps de décongélation et le niveau de puissance sont automatiquement réglés une fois la catégorie d'aliments et le poids programmés. Le poids de décongélation va de 100 à 800 g.

1. En mode veille, appuyez sur **RÉCHAUFFAGE AUTOMATIQUE**.
2. Tournez le **BOUTON à ROTATIF** pour sélectionner le poids des aliments à réchauffer
3. Appuyez sur **DÉMARRER/DÉMARRAGE RAPIDE**.
4. Une fois le cycle de cuisson terminé, l'écran affiche **End** et une tonalité se fera entendre toutes les deux minutes jusqu'à ce qu'un bouton soit enfoncé ou que la porte soit ouverte.

* - Uniquement pour les modèles avec grill.

MINUTERIE

Le four est équipé d'une minuterie de cuisine qui effectue un compte à rebours à partir du temps programmé.

1. En mode veille, appuyez sur **HEURE/RÉGLER HORLOGE** une fois.
2. Tournez le **BOUTON ROTATIF** pour régler le temps souhaité. Le temps le plus long est de 95 minutes.
3. Appuyez sur la touche **START/QUICK START** pour confirmer.
4. L'écran affiche un compte à rebours à partir du temps programmé.
5. Lorsque l'affichage atteint zéro, une tonalité retentit.

Il est également possible d'utiliser le minuteur de cuisine en mode cuisson. Pour ce faire, suivez les étapes décrites ci-dessus pendant la cuisson de vos aliments. Une fois la minuterie de cuisine activée, elle s'affiche à l'écran pendant cinq secondes, puis l'écran revient au compte à rebours du cycle de cuisson. Pour afficher à nouveau la minuterie, appuyez sur **HEURE/RÉGLER HORLOGE** une fois, et le minuteur de cuisine s'affichera pendant cinq secondes, puis reviendra au compte à rebours de cuisson.

- Pour annuler le programme du **MINUTEUR**, appuyez la touche **STOP/ECO** et l'écran affichera l'heure.
- Si un cycle de cuisson a été lancé, il est possible de mettre en marche le minuteur de cuisine en suivant les mêmes étapes que ci-dessus.

FONCTION D'ÉCONOMIE D'ÉNERGIE

Cette fonction permet d'économiser de l'énergie lorsque le four n'est pas utilisé. Pour activer cette fonction en mode veille, maintenez **ARRÊTER/ECO** pendant 3 secondes. L'affichage s'éteint et le four entre en mode d'économie d'énergie.

Pour annuler le mode d'économie d'énergie, appuyez sur n'importe quelle touche ou ouvrez et fermez la porte du four.

FONCTION MUET

Il est possible de couper tous les sons du micro-ondes à l'aide de la fonction de sourdine. Pour régler la fonction de sourdine, appuyez sur **VERROUILLAGE ENFANT** une fois, et l'écran affichera **OFF** pendant 5 secondes. En mode muet, aucun son n'est émis lorsque vous appuyez sur les touches.

Pour désactiver la fonction de sourdine, appuyez une fois sur le bouton **VERROUILLAGE ENFANT**, l'écran affichera **"on"** pendant 5 secondes pour indiquer que le son a été rétabli.

Si la fonction de mise en sourdine est réglée et que le four est débranché du secteur, elle sera annulée lors de la reconnexion au secteur.

SERRURE DE SÉCURITÉ

Une fonction automatique permet d'empêcher les enfants d'utiliser le four sans surveillance. En mode veille, si aucune opération n'est effectuée dans un délai d'une minute, le four passe automatiquement en mode de verrouillage enfant et le message **Loc** s'affiche sur l'écran. En état de verrouillage, tous les boutons sont désactivés. Si vous appuyez sur un bouton, l'indication de verrouillage apparaît sur l'affichage pendant 5 secondes pour rappeler à l'utilisateur d'annuler le verrouillage de sécurité.

Pour désactiver le verrou de sécurité, il suffit d'ouvrir et fermer la porte du micro-ondes, et le clavier redeviendra actif et le voyant de verrouillage s'éteindra.

VERROUILLAGE ENFANT

Pour régler le VERROUILLAGE ENFANT, maintenez la touche **VERROUILLAGE ENFANT** pendant 3 secondes, un long signal sonore retentit et l'écran indique **Loc**. Le four est maintenant en mode VERROUILLAGE ENFANT. Dans ce mode, l'écran affiche l'horloge. Si une touche est enfoncée ou que la porte est ouverte, **Loc** s'affiche pendant dix secondes. Pour annuler le VERROUILLAGE ENFANT, appuyez sur la touche **VERROUILLAGE ENFANT** pendant 3 secondes jusqu'à ce qu'un long signal sonore s'active.

NETTOYAGE ET ENTRETIEN

- Éteignez le four et débranchez le cordon d'alimentation lorsque vous le nettoyez.
- Gardez l'intérieur du four propre. Lorsque des éclaboussures d'aliments ou de liquides déversés adhèrent à la base du four, essuyez-les avec un chiffon humide. Des détergents doux peuvent être utilisés si le four est très sale. Évitez d'utiliser des produits de nettoyage forts. Ils peuvent tâcher, rayer la surface ou ternir la porte.
- L'extérieur du four doit être nettoyé avec un chiffon humide. Afin d'éviter tout dommage aux pièces opérationnelles à l'intérieur du four, il ne faut pas laisser l'eau couler dans les ouvertures de ventilation.
- Essuyez la porte et la fenêtre des deux côtés, les joints de la porte et les pièces adjacentes avec un chiffon humide afin d'éliminer les éclaboussures.
- N'utilisez pas de produits nettoyants abrasifs.
- Ne nettoyez pas à la vapeur.
- Ne laissez pas le panneau de commande se mouiller. Nettoyez avec un chiffon doux et humide. Lors du nettoyage du panneau de commande, laissez la porte du four ouverte pour empêcher le four de s'allumer accidentellement.
- Si de la vapeur accumule à l'intérieur ou à l'extérieur de la porte du four, essuyez avec un chiffon doux. Cela peut se produire lorsque le four à micro-ondes est utilisé dans des conditions d'humidité élevée. Ce n'est pas un dysfonctionnement.
- Le plateau rotatif, le support du plateau et le raccord doivent être nettoyés régulièrement pour éviter toute contamination et tout risque d'arc électrique/de dommages. Essuyez simplement avec un détergent doux.
- Éliminez les odeurs du four en mélangeant une tasse d'eau avec le jus et la peau d'un citron dans un bol allant aux micro-ondes. Essuyez complètement et séchez avec un chiffon doux.
- Si l'ampoule cesse de fonctionner, contactez le service client pour obtenir des conseils.
- Le four doit être nettoyé régulièrement et les dépôts de nourriture doivent être enlevés. Si le four n'est pas maintenu dans un état propre, la surface pourrait se détériorer, ce qui pourrait nuire à la durée de vie de l'appareil et entraîner une situation dangereuse.
- Veuillez ne pas jeter cet appareil avec les ordures domestiques. Consultez les réglementations de votre pays sur l'élimination de ce type de produit.

BIEN CHOISIR LA VAISSELLE

1. Le matériau idéal pour un ustensile de micro-ondes laisse passer les micro-ondes. Il permet à l'énergie de traverser le conteneur et de chauffer la nourriture.
2. Le micro-ondes ne peut pas pénétrer le métal, aussi les ustensiles métalliques ou plats avec une finition métallique ne doivent pas être utilisés.
3. N'utilisez pas de produits en papier recyclé pour la cuisson au micro-ondes, car ils peuvent contenir de petits fragments métalliques pouvant provoquer des étincelles et/ou des incendies.
4. Des plats ronds/ovales plutôt que carrés/oblongs sont recommandés, car la nourriture dans les coins a tendance à cuire excessivement.
5. Des bandes étroites de papier d'aluminium peuvent être utilisées pour empêcher la surcuisson des zones exposées. Mais attention à ne trop en utiliser, et conservez une distance de 2,54 cm entre la feuille et la cavité.

La liste ci-dessous est un guide général pour vous aider à sélectionner les bons ustensiles.

Ustensiles de cuisine	Micro-ondes micro-ondes	Gril	Commentaire
Plats brunisseurs	✓ / ✗	✗	Suivez toujours les instructions des fabricants. Ne dépassez pas les temps de cuisson donnés. Faites très attention, ces plats peuvent devenir très chauds.
Porcelaine et céramiques	✓ / ✗	✗	La porcelaine, la poterie, la faïence émaillée et la porcelaine fine sont habituellement adaptées, à part dans le cas de décorations métalliques.
Verre résistant à la chaleur	✓	✓	Il convient de s'assurer que les ustensiles de cuisson en verre peuvent être utilisés dans un four à micro-ondes.
Verre non résistant à la chaleur	✗	✗	
Céramique résistante à la chaleur	✓	✓	Veillez à ce que le matériau céramique ne soit pas trop épais ou à forte teneur en minéraux.
Plat en plastique compatible micro-ondes	✓	✗	Vérifiez toujours que les ustensiles de cuisine en plastique peuvent être utilisés dans un four à micro-ondes.
Essuie-tout	✓ / ✗	✗	N'utilisez que du papier essuie-tout recommandé pour les fours à micro-ondes.
Plats en verre, par ex. Pyrex®	✓ / ✗	✓	Restez vigilant lors de l'utilisation de verrerie fine, la chaleur brutale pouvant les craqueler ou les casser.
Plateaux en métal	✗	✓	Il n'est pas recommandé d'utiliser de récipients en métal, ceux-ci pouvant être source d'arcs électriques et causer des incendies.
Supports en métal	✗	✓	Il n'est pas recommandé d'utiliser de récipients en métal, ceux-ci pouvant être source d'arcs électriques et causer des incendies.
Papier aluminium Récipient en Aluminium	✓ / ✗	✓	De petits morceaux d'aluminium peuvent être utilisés pour empêcher les aliments de surchauffer. Gardez le papier aluminium à une distance d'au moins 2,54 cm des parois du four, des arcs électriques pouvant se former. Les récipients en papier aluminium ne sont pas recommandés, sauf si spécifié par le fabricant, par ex. Microfoil®. Suivez dans ce cas les instructions avec attention.
Film plastique	✓	✗	Ne doit pas toucher la nourriture et doit être percé pour laisser la vapeur s'échapper.
Plastique/Polystyrène par ex. récipients de restauration rapide	✓	✗	Il est important de bien faire attention à la cuisson, certains récipients pouvant se déformer, fondre ou se décoller à haute température.
Sachets de congélation / à griller	✓	✗	Doit être percé pour permettre à la vapeur de s'échapper. Assurez-vous que les sacs sont compatibles avec la cuisson micro-ondes.
Assiettes / Gobelets en papier et papier essuie-tout	✓	✗	N'utilisez pas d'attaches en plastique ou métal, celles-ci pouvant fondre ou s'enflammer à cause d'arcs électriques.
Paille et récipients en bois	✓	✗	Utilisez uniquement pour réchauffer ou absorber l'humidité. Surveillez soigneusement la cuisson, une surchauffe peut être source d'incendie.
Papier recyclé et journaux	✗	✗	Restez toujours à proximité du micro-ondes lors de l'utilisation de ces matériaux, leur surchauffe pouvant être cause de départ de feu. Peut contenir des résidus de métaux pouvant causer des arcs électriques et un départ de feu.



AVERTISSEMENT : Lorsque vous réchauffez un plat dans un récipient en plastique ou en papier, surveillez le four pour prévenir tout risque d'ignition.

REMARQUE : Ne laissez pas votre four sans surveillance pendant l'utilisation.

CONSEILS POUR LA CUISSON AU MICRO-ONDES

Les micro-ondes cuisent les aliments plus rapidement que la cuisson traditionnelle. Il est ainsi essentiel de suivre certaines techniques pour assurer de bons résultats. Un grand nombre des techniques suivantes sont similaires à celles utilisées dans la cuisine classique.



AVERTISSEMENT : Les liquides et aliments ne doivent pas être chauffés dans des contenants/pots scellés ou avec un couvercle, car la pression s'accumulerait à l'intérieur et pourrait causer l'explosion du contenant.

REMARQUES SUR LES CONSEILS DE CUISSON :

- Restez toujours à proximité du four lors de son utilisation.
- Vérifiez que les ustensiles sont appropriés à l'usage dans un four à micro-ondes.
- Utilisez uniquement la fonction Popcorn du micro-ondes dans les limites recommandées sur l'emballage (suivez les instructions du fabricant). N'utilisez jamais d'huile sauf mention contraire par le fabricant, et ne dépassez jamais le temps de cuisson indiqué.



ATTENTION : Si vous dépassez les temps de cuisson recommandés et utilisez des niveaux de puissance trop élevés, la nourriture peut surchauffer, brûler et même prendre feu et endommager le four dans les cas extrêmes.

Arranger

Placez les parties les plus épaisses de la nourriture vers l'extérieur du plat, par exemple des pilons de poulet. Les aliments placés vers l'extérieur du plat recevront plus d'énergie, et cuiront donc plus rapidement que ceux au centre.

Couvrir

Certains aliments devraient être couverts pendant la cuisson au micro-ondes.

Utilisez du film plastique pour micro-ondes ou un couvercle adapté.

Percer

Les aliments à coquille, peau ou membrane doivent être percés à plusieurs endroits avant cuisson ou réchauffage, car la vapeur s'accumule et peut causer l'explosion des aliments, par ex. pour les pommes de terre, le poisson, le poulet, les saucisses.

REMARQUE : Les œufs ne doivent pas être chauffés en utilisant la fonction micro-ondes car ils peuvent exploser, même une fois leur cuisson terminée, par exemple si vous réchauffez des œufs pochés, frits ou à la coque.

Mélanger, tourner et réarranger

Pour une cuisson uniforme, il est essentiel de mélanger, tourner et réarranger les aliments pendant la cuisson.

Mélangez et réarrangez toujours de l'extérieur vers le centre.

Laisser reposer

Un temps de repos est nécessaire après cuisson, car cela permet à la chaleur de se disperser uniformément dans la nourriture.

Caractéristiques de la nourriture	
Composition	Les aliments riches en gras ou en sucre (par ex. flans, pâtés) nécessitent moins de temps de chauffage. Attention pour éviter les surchauffes qui peuvent conduire à des incendies. Les os des aliments conduisent la chaleur, ce qui cuit la nourriture plus rapidement. Attention à cuire de tels aliments uniformément.
Densité	La densité de nourriture affectera le temps de cuisson nécessaire. Les aliments légers et poreux, comme les gâteaux ou le pain, cuisent plus rapidement que les aliments lourds et denses, comme les rôtis et les ragoûts.
Quantité	La quantité de micro-ondes dans votre four reste la même, quelle que soit la quantité d'aliments placés dans le four. Le temps de cuisson doit être augmenté en fonction de la quantité par ex. il faut plus de temps pour cuire quatre pommes de terre que deux.
Taille	Les petits aliments cuisent plus rapidement que les grands, car les micro-ondes peuvent pénétrer de tous les côtés jusqu'au centre. Pour une cuisson uniforme, utilisez des morceaux de taille similaire.
Forme	Les aliments qui sont de forme irrégulière, comme les poitrines ou les pilons de poulet nécessiteront plus de temps de cuisson pour les parties les plus épaisses. Pour une cuisson uniforme, placez les morceaux les plus épais vers l'extérieur du plat, où ils recevront plus d'énergie. Les formes rondes cuiront plus uniformément que les formes carrées au micro-ondes.
Température de la nourriture	La température initiale de la nourriture affecte le temps de cuisson requis. Les aliments frais nécessiteront plus de temps de cuisson que ceux à température ambiante. La température du conteneur n'est pas une véritable indication de la température de la nourriture ou boisson. Coupez les aliments avec garniture, comme les beignets à la confiture, pour libérer la chaleur ou la vapeur.



AVERTISSEMENT : Visage et mains : portez toujours des gants de cuisine pour retirer des aliments ou ustensiles du four. Restez en arrière lorsque vous ouvrez la porte du four pour permettre la dissipation de la chaleur ou de la vapeur. Lors du retrait des couvercles (film plastique par exemple), de l'ouverture de sacs de cuisson ou d'emballages de popcorn, attention à ne pas laisser la vapeur atteindre vos mains et votre visage.



AVERTISSEMENT : Vérifiez la température des aliments et boissons, et mélangez-les avant de les servir. Faites particulièrement attention lorsque vous servez des nourrissons, enfants ou personnes âgées. Le contenu des biberons et petits pots doit être mélangé ou secoué, et la température doit être vérifiée avant consommation pour éviter les brûlures.

CONSEILS POUR LA DÉCONGÉLATION

Le micro-ondes est la méthode de décongélation la plus rapide du four. C'est un processus simple, mais les instructions suivantes sont essentielles pour vous assurer que la nourriture est bien décongelée.

- Retirez l'emballage complet avant décongélation.
- Pour décongeler des aliments, utilisez les niveaux de puissance de micro-ondes de P-20 à P-40.
- Consultez la suite pour plus d'informations.

Réarranger

Les aliments placés vers l'extérieur du plat seront décongelés plus rapidement que ceux au centre. Il est donc essentiel d'arranger la nourriture jusqu'à 4 fois lors de la décongélation.

Déplacez les morceaux étroitement emballés de l'extérieur vers le centre et réorganisez les zones de chevauchement. Cela assurera la décongélation uniforme des aliments.

Séparer

Les aliments peuvent être collés lors de leur retrait du congélateur. Il est important de séparer les aliments dès que possible lors de la décongélation.

par ex. tranches de jambon, filets de poulet.

Protéger

Certaines zones de la nourriture peuvent devenir chaudes. Pour éviter qu'elles deviennent trop chaudes et commencent à cuire, ces zones doivent être protégées par de petits morceaux de papier aluminium, qui réfléchit les micro-ondes, par ex. sur les cuisses et ailes de poulet.

Laisser reposer

Un temps de repos est nécessaire pour assurer la décongélation complète de la nourriture.

La décongélation n'est pas terminée lorsque la nourriture est sortie du micro-ondes. La nourriture doit rester couverte pendant un certain temps pour s'assurer que le centre est complètement décongelé.

Retourner

Il est essentiel que tous les aliments soient retournés jusqu'à 4 fois pendant la décongélation.

Il est important de garantir la décongélation complète.

CONSEILS POUR LE RÉCHAUFFAGE

Pour réchauffer des aliments, suivez les conseils et les instructions ci-dessous pour vous assurer que la nourriture est complètement réchauffée avant de la servir.

Plateaux-repas

Enlevez les morceaux de viande ou de volaille, réchauffez-les séparément, voir ci-dessous.

Placez les petits morceaux au centre de l'assiette, et les morceaux plus gros au bord. Couvrez avec un film plastique et réchauffez sur le niveau de puissance P-50. Mélangez/Réarrangez à la moitié du temps de réchauffage.

REMARQUE : Assurez-vous que la nourriture est complètement réchauffée avant de la servir.

Viande émincée

Couvrez avec du film plastique pour micro-ondes et réchauffez sur le niveau de puissance P-60. Réarrangez au moins une fois pour assurer un réchauffage uniforme.

REMARQUE : Assurez-vous que la viande est complètement réchauffée avant de la servir.

Morceaux de volaille

Placez les morceaux les plus gros au bord de l'assiette, couvrez avec du film plastique pour micro-ondes et réchauffez sur le niveau de puissance P-70.

Retournez les aliments à mi-temps.

REMARQUE : Assurez-vous que la volaille est complètement réchauffée avant de la servir.

Ragoûts

Couvrez avec du film plastique pour micro-ondes et réchauffez sur le niveau de puissance P-50.

Mélangez fréquemment pour assurer un réchauffage uniforme.

REMARQUE : Assurez-vous que la nourriture est complètement réchauffée avant de la servir.

Pour obtenir les meilleurs résultats lors du réchauffage, sélectionnez un niveau de puissance de micro-ondes adapté pour le type de nourriture. Par exemple, un bol de légumes peut être réchauffé avec le niveau de puissance P-100, alors que des lasagnes contenant des ingrédients ne pouvant pas être mélangés doivent être réchauffées avec le niveau de puissance P-40.

REMARQUES :

- Retirez la nourriture des contenants en aluminium ou en métal avant de la réchauffer.
- Les temps de réchauffage varient en fonction de la forme, de l'épaisseur, de la quantité et de la température de la nourriture, ainsi que de la taille, de la forme et du matériau du contenant.



AVERTISSEMENT : Ne chauffez pas de liquide dans un récipient à col étroit, car le contenu du récipient peut déborder rapidement et provoquer des brûlures.

- Pour éviter les surchauffes et incendies, faites attention lorsque vous réchauffez des plats ayant une forte proportion de sucre ou de graisse, comme des tartes ou des gâteaux.
- Ne chauffez jamais l'huile ou la graisse à frire, car cela peut provoquer une surchauffe et un incendie.
- Les pommes de terre en conserve ne doivent pas être chauffées dans le four à micro-ondes, suivez les instructions du fabricant sur la boîte.



AVERTISSEMENT : Veillez à remuer ou à agiter le contenu des biberons et pots pour bébé et à vérifier leur température avant qu'ils ne soient consommés pour éviter toute brûlure.

DÉPANNAGE

Si vous pensez que le four ne fonctionne pas correctement, voici quelques vérifications simples que vous pouvez effectuer vous-même avant d'appeler un technicien. Cela vous évitera des appels inutiles au centre de service si la cause du problème est simple.

Suivez les vérifications simples décrites ci-dessous :

Placez une demi-tasse d'eau sur le plateau rotatif et fermez la porte. Programmez le four pour cuire 1 minute en utilisant le niveau de puissance de micro-ondes P-100.

1. Est-ce que la lampe s'allume pendant la cuisson ?
2. Est-ce que le ventilateur de refroidissement fonctionne ? (Vérifiez en plaçant votre main au-dessus des ouvertures de ventilation.)
3. Entendez-vous le signal sonore après 1 minute ?
4. L'eau dans la tasse est-elle chaude ?

Si la réponse à une de ces questions est NON, vérifiez d'abord que le four est bien branché et que le fusible n'a pas sauté. S'il n'y a pas de problème de ce côté-là, consultez le tableau de dépannage ci-dessous.



ATTENTION : Ne jamais bricoler, réparer ou modifier vous-même le four. Il est dangereux pour quiconque d'autre qu'un ingénieur SHARP formé d'effectuer l'entretien ou des réparations. Ce point est important car il peut impliquer le retrait de couvercles qui offrent une protection contre l'énergie des micro-ondes.

- Le joint de la porte empêche les fuites de micro-ondes pendant le fonctionnement, mais ne forme pas un joint étanche. Il est normal de voir des gouttes d'eau ou de la lumière, ou de sentir de la chaleur autour de la porte du four. La nourriture avec une haute teneur en humidité dégagera de la vapeur et causera de la condensation à l'intérieur de la porte qui peut s'écouler hors du four.
 - Réparations et modifications : n'essayez pas d'utiliser le four s'il ne fonctionne pas correctement.
 - Cabinet extérieur et lampe d'accès : Ne retirez jamais le boîtier externe. Cela est très dangereux en raison de la présence de pièces haute tension qui ne doivent jamais être touchées, car cela peut provoquer une électrocution fatale.
- Votre four n'est pas équipé d'un couvercle d'accès à la lampe. Si la lampe est en panne, ne tentez pas de remplacer la lampe vous-même, et appelez un centre de service agréé SHARP.

TABLEAU DE DÉPANNAGE

PROBLÈME	RÉPONSE
De l'eau circule autour de la porte.	Lorsque le four fonctionne, l'air circule dans la cavité. La porte ne forme pas un joint étanche, et de l'air peut donc s'échapper de la porte.
De la condensation se forme dans le four et peut s'écouler de la porte.	La cavité du four est normalement plus froide que les aliments cuisinés, et la chaleur produite lors de cuisson se condense donc sur la surface plus froide. La quantité de vapeur produite dépend de la teneur en eau de l'aliment cuisiné. Certains aliments, comme les pommes de terre ont une haute teneur en humidité. La condensation prise dans la vitre de la porte devrait s'évaporer après quelques heures.
Des clignotements ou arcs électriques sont visibles dans la cavité lors de la cuisson.	Les arcs électriques se produisent lorsqu'un objet métallique est à proximité immédiate de la cavité du four pendant la cuisson. Cela peut éventuellement dépolir la surface de la cavité, sans endommager le four pour autant.
Arcs électriques lors de la cuisson de pommes de terre.	Veillez à éliminer les oeillets et à percer les pommes de terre. Placez-les directement sur le plateau tournant ou dans un plat résistant à la chaleur ou contenant semblable.
Lorsque le four est utilisé en mode gril uniquement, vous pourriez remarquer que l'élément chauffant ne semble pas toujours allumé.	En effet, l'élément du gril s'allume et s'éteint pour maintenir la température du four à un niveau prédéfini.
Lorsque le gril est utilisé en mode combiné, il ne semble pas être allumé.	En mode de cuisson combinée (micro-ondes et gril), le four passe d'une fonction à l'autre. Les fonctions micro-ondes et gril ne sont pas activées en même temps.
Le four ne fonctionne pas lorsque vous appuyez sur DÉMARRER/DÉMARRAGE RAPIDE.	Vérifiez que la porte est bien fermée.
Le four chauffe trop lentement;	Assurez-vous d'avoir sélectionné le bon niveau de puissance.
Le four émet un son.	Lors de la mise en marche et de l'arrêt du four à micro-ondes, un bourdonnement peut se faire entendre, ce qui est normal.
Après la cuisson, le four fait du bruit ou semble poursuivre son fonctionnement.	À la fin du cycle de cuisson, le ventilateur peut rester allumé pendant plusieurs minutes pour refroidir le four. Cela est normal.
Le boîtier extérieur est chaud.	Le boîtier peut devenir chaud au toucher, maintenez les enfants à l'écart.
L'indication « LoC » apparaît sur l'écran lorsque vous appuyez sur une touche.	Après 30 secondes, le four passe en mode verrouillage, c'est-à-dire qu'il est impossible d'appuyer sur les touches. Ouvrez et fermez la porte et les touches fonctionneront à nouveau. Vérifiez également que l'appareil n'est pas en mode de verrouillage.
Le message « Fail » apparaît à l'écran et le four émet un bip toutes les minutes.	Cela se produit si les touches du panneau de commande sont enfoncées de façon continue pendant plus d'une minute. Débranchez le four pendant quelques minutes et rebranchez-le.
Le four émet un bip toutes les 30 secondes.	Lorsque la cuisson est terminée et que la porte n'est pas ouverte, un signal sonore retentit toutes les 30 secondes. Pour l'arrêter, ouvrez puis refermez la porte.

AVANT D'APPELER L'ASSISTANCE

Avant de demander un service, vérifiez chacun des éléments ci-dessous :

- Vérifiez que le four est bien branché. Si ce n'est pas le cas, retirez la fiche de la prise, attendez 10 secondes et rebranchez de façon sûre.
- Vérifiez si un fusible du circuit a sauté ou si un coupe-circuit a été déclenché. S'ils semblent fonctionner correctement, testez la prise avec un autre appareil.
- Vérifiez que les boutons d'alimentation et de minuterie sont correctement réglés.
- Vérifiez que la porte est bien fermée et qu'elle engage le système de verrouillage de sécurité. Sinon, l'énergie des micro-ondes ne circulera pas dans le four.

SI AUCUNE DE CES MESURES NE RÉSOUT LE PROBLÈME, CONTACTEZ UN TECHNICIEN QUALIFIÉ. NE TENTEZ PAS DE RÉGLER OU RÉPARER LE FOUR VOUS-MÊME.



Pažnja:

Proizvod je označen ovim simbolom. To znači da se rabljeni električni i elektronički proizvodi ne smiju miješati s uobičajenim kućanskim otpadom. Za prikupljanje ovih proizvoda postoji poseban sustav.



[www.sharpconsumer.com/
contact/](http://www.sharpconsumer.com/contact/)



[www.sharpconsumer.com/
support/](http://www.sharpconsumer.com/support/)



[www.sharpconsumer.com/
documents-of-conformity/](http://www.sharpconsumer.com/documents-of-conformity/)

A. Informacije o odlaganju za korisnike (privatna kućanstva)

1. U Europskoj uniji

Pažnja: ako ovu opremu želite odložiti, nemojte rabiti uobičajeni koš za otpatke!

Rabljena električna i elektronička oprema mora se odlagati zasebno i u skladu s propisima koji nalažu pravilno odlaganje, obnavljanje i recikliranje rabljene električne i elektroničke opreme.

Nakon implementacije u državama članicama, privatna kućanstva u državama EU mogu besplatno vratiti rabljenu električnu i elektroničku opremu na predviđena sabirna mjesta*.

U nekim državama* lokalni dobavljač može besplatno preuzeti stari proizvod ako kupite novi.

*) Za dodatne pojedinosti obratite se lokalnim nadležnim tijelima.

Ako vaša električna ili elektronička oprema ima baterije ili akumulatore, odložite ih zasebno u skladu s lokalnim propisima. Pravilnim odlaganjem ovog proizvoda omogućujete pravilnu obradu, obnavljanje i recikliranje otpada te sprječavate negativne učinke na okoliš i ljudsko zdravlje koji proizlaze iz nepravilnog postupanja s otpadom.

2. U drugim državama izvan EU

Ako ovaj proizvod želite odložiti, informacije o pravilnom odlaganju zatražite od lokalnih nadležnih tijela.

Za Švicarsku: rabljena električna i elektronička oprema može se besplatno vratiti dobavljaču, čak i ako ne kupujete novi proizvod. Ostala sabirna mjesta navedena su na početnoj stranici www.swico.ch i www.sens.ch.

B. Informacije o odlaganju za poslovne korisnike

1. U Europskoj uniji

Ako se proizvod koristio u poslovne svrhe i želite ga odbaciti:

Za informacije o preuzimanju proizvoda zatražite od svog dobavljača tvrtke SHARP. Možda će Vam biti naplaćeni troškovi preuzimanja i recikliranja. Lokalna sabirna mjesta možda preuzimaju male proizvode (i male količine).

Za Španjolsku: za preuzimanje rabljenih proizvoda obratite se predviđenom sabirnom mjestu ili lokalnim nadležnim tijelima.

2. U drugim državama izvan EU

Ako ovaj proizvod želite odložiti, informacije o pravilnom odlaganju zatražite od lokalnih nadležnih tijela.

Za servis posjetite www.sharpconsumer.com/contact/, a za jamstvena prava www.sharpconsumer.com/support/ ili se obratite dobavljaču od kojeg ste kupili proizvod.

Deklaracije usklađenosti dostupne su na adresi www.sharpconsumer.com/documents-of-conformity/

MJERE OPREZA ZA IZBJEGAVANJE MOGUĆNOSTI IZLAGANJA ENERGIJI MIKROVALOVA

1. Pećnicu ne pokušavajte upotrebljavati dok su vrata otvorena jer to može rezultirati štetnim izlaganjem energiji mikrovalova. Važno je da sigurnosne bravice ne pokušavate modificirati ili uklanjati.
2. Između prednje stranice pećnice i vrata nemojte ništa stavljati i nemojte dopustiti da se nakupe naslage nečistoća na brtvnim površinama.
3. Pećnicu nemojte koristiti ako je oštećena. Vrlo je važno da se vrata pećnice pravilno zatvaraju te da vrata, bravice, šarke, brtve i brtvene površine budu neoštećene.
4. Pećnicu ne pokušavajte popravljati ni podešavati.

SADRŽAJ

VAŽNE SIGURNOSNE UPUTE	3
POSTAVLJANJE	10
RADIJSKE SMETNJE	11
UPUTE ZA UZEMLJIVANJE	11
TEHNIČKI PODACI	11
PEĆNICA I PRIBOR	12
UPRAVLJAČKA PLOČA	13
PRIJE UPOTREBE PEĆNICE	14
PODEŠAVANJE SATA	14
KUHANJE U MIKROVALNOJ PEĆNICI	15
BRZO POKRETANJE	16
PEČENJE*	16
MIKROVALOVI + PEČENJE*	16
AUTOMATSKI IZBORNIK	17
AUTOMATSKO ODMRZAVANJE	20
AUTOMATSKO PODGRIJAVANJE*	20
KUHINJSKA ŠTOPERICA	21
ZNAČAJKA UŠTEDE ENERGIJE	21
FUNKCIJA PRIGUŠIVANJA	22
SIGURNOSNA BLOKADA	22
DJEČJA ZAŠTITA	22
ČIŠĆENJE I ODRŽAVANJE	23
PRIKLADNO POSUĐE ZA MIKROVALNU PEĆNICU	24
SAVJETI VEZANI UZ KUHANJE U MIKROVALNOJ PEĆNICI	25
SAVJETI VEZANI UZ ODMRZAVANJE	27
SAVJETI VEZANI UZ PODGRIJAVANJE	28
OTKLANJANJE POTEŠKOĆA	29
PRIJE NEGO ŠTO ZATRAŽITE POMOĆ	31

* - Samo za modele s pekačem.

VAŽNE SIGURNOSNE UPUTE

PAŽLJIVO PROČITAJTE I ČUVAJTE ZA BUDUĆU UPOTREBU

Da biste izbjegli požar, mikrovalnu pećnicu tijekom rada nemojte ostavljati bez nadzora. Previsoko postavljena snaga ili predugo vrijeme kuhanja mogu pregrijati hranu, što može rezultirati požarom.

Ova je pećnica predviđena za postavljanje isključivo na radnu površinu. Nemojte je postavljati u ormarić ili drugi zatvoreni prostor.

Strujna utičnica mora biti lako dostupna kako bi se uređaj mogao lako iskopčati u hitnim slučajevima.

Potrebno je napajanje od 230-240 V i 50 Hz, uz minimalni osigurač ili kratkospojnik od 10 A. Uređaj koristite u zasebnom strujnom krugu.

Pećnicu ne postavljajte na mjestima na kojima se stvara toplina. Na primjer, blizu obične pećnice. Mikrovalnu pećnicu nemojte postavljati na mjestima s visokom vlagom. Nemojte je pohranjivati ni upotrebljavati na otvorenom prostoru.

Ako primijetite dim, isključite ili iskopčajte pećnicu te držite vrata zatvorena kako biste ugasili eventualni plamen.

Upotrebljavajte samo posuđe predviđeno za mikrovalne pećnice. Provjerite je li jedaći pribor prikladan za upotrebu u mikrovalnim pećnicama.

Prilikom zagrijavanja hrane u plastičnim ili papirnatim spremnicima budite blizu pećnice zbog mogućnosti njihovog zapaljenja.

Nakon upotrebe očistite pokrov provodnika valova i unutrašnjost pećnice. Ovi dijelovi moraju biti suhi i bez masnoća. Nakupljena masnoća može se pregrijati te uzrokovati dim ili pojavu plamena.

Ne postavljajte zapaljive materijale blizu pećnice ili otvora za prozračivanje.

Nemojte blokirati ventilacijske otvore.

Skinite sve metalne naljepnice, pokrove, žice i sl. s hrane i ambalaže. Iskrenje na metalnim površinama može uzrokovati požar.

Mikrovalnu pećnicu nemojte koristiti za zagrijavanje ulja ili za prženje u dubokom ulju. Temperatura se ne može kontrolirati te bi se ulje moglo zapaliti.

Za pripremu kokica koristite samo posebne kokice za mikrovalnu pećnicu.

U pećnicu nemojte pohranjivati hranu ni druge predmete.

Nakon pokretanja pećnice provjerite jesu li podešene postavke za željeni rad.

Dok pećnica radi, ne ostavljajte je bez nadzora.

Da biste izbjegli pregrijavanje i požar, budite posebno oprezni prilikom zagrijavanja ili kuhanja hrane s visokim udjelom šećera ili masnoće, npr. kobasica, pita ili kolača kao što je božićni kuglof. Potražite savjete u priručniku za upotrebu.

Da biste izbjegli mogućnost ozljede (UPOZORENJE):

Pećnicu nemojte koristiti ako je oštećena ili pokvarena. Prije upotrebe provjerite sljedeće:

- a) Provjerite zatvaraju li se vrata pravilno te da nisu iskrivljena ili pomaknuta u ležištu.
- b) Provjerite jesu li šarke i sigurnosne bravice vrata oštećene ili labave.
- c) Provjerite jesu li oštećene brtve i brtvene površine vrata.
- d) Provjerite ima li udubljenja u unutrašnjosti pećnice ili na vratima.
- e) Kabel napajanja i utikač: provjerite moguća oštećenja.

Ako su vrata ili brtve oštećeni, pećnica se ne smije koristiti dok

je ne popravi stručna osoba.

Pećnicu nemojte nikad podešavati, popravljati ni mijenjati sami. Skidanje pokrova koji štiti od energije mikrovalova je opasno. Takve zahvate, servisiranja i popravke smije obavljati samo stručna osoba.

Pećnicu nemojte koristiti dok su vrata otvorena i nemojte modificirati sigurnosne bravice vrata ni na koji način. Ne upotrebljavajte pećnicu ako je zaglavljen predmet između brtvi vrata i brtvenih površina.

Ne dopustite da se na brtvama vrata i susjednim dijelovima nakupi masnoća ili prljavština. Pećnicu redovito čistite i uklanjajte sve ostatke hrane.

Slijedite upute u odjeljku „Čišćenje i održavanje“. Neodržavanje pećnice čistom može uzrokovati propadanje površine, negativno utjecati na vijek trajanja uređaja te uzrokovati opasne situacije.

Osobe s električnim stimulatorima srca (pacemakerima) trebaju sa svojim liječnikom ili proizvođačem uređaja provjeriti mjere opreza glede upotrebe mikrovalnih pećnica.

Da biste izbjegli mogućnost strujnog udara

- Ni pod kojim uvjetima nemojte uklanjati vanjsko kućište.
- Pazite da Vam se u otvore bravice vrata ili ventilacijske otvore ne prolije tekućina ili u njih ne upadnu predmeti. U slučaju prolijevanja odmah isključite uređaj i iskopčajte ga iz napajanja te nazovite ovlaštenog servisnog predstavnika tvrtke SHARP.
- Kabel napajanja i utikač nemojte uranjati u vodu ni u druge tekućine.
- Pazite da kabel napajanja ne visi preko ruba stola ili radne površine.
- Držite kabel napajanja podalje od vrućih površina, uključujući stražnji dio pećnice.

- Uređaj i njegov kabel držite izvan dohvata djece mlađe od 8 godina.
- Lampu pećnice nemojte pokušavati mijenjati sami. To smije obavljati samo ovlašteni predstavnik tvrtke SHARP. Ako se lampa pećnice pokvari, obratite se svom dobavljaču ili ovlaštenom servisnom predstavniku tvrtke SHARP.
- Ako se kabel napajanja ošteti, treba ga zamijeniti ovlašteni servis za SHARP.

UPOZORENJE: tekućine i hrana ne smiju se zagrijavati u zabrtvljenim spremnicima jer mogu eksplodirati. Zagrijavanje pića mikrovalovima može rezultirati odgođenim eruptivnim ključanjem. Stoga budite oprezni prilikom upotrebe spremnika. Da biste izbjegli mogućnost eksplozije ili iznenadnog vrenja:

Nemojte upotrebljavati zabrtvljene spremnike. Uklonite zatvarače i poklopce prije upotrebe. Zatvoreni spremnici mogu eksplodirati zbog nakupljenog tlaka čak i nakon isključenja pećnice. Budite oprezni prilikom zagrijavanja tekućina u mikrovalnoj pećnici. Upotrijebite spremnike sa širokim otvorom kako biste omogućili isparavanje.

Tekućine nemojte zagrijavati u spremnicima s uskim grlom kao što su bočice za bebe jer bi se sadržaj mogao preliti iz spremnika tijekom zagrijavanja i uzrokovati opekotine.

Kako biste spriječili iznenadno izlivanje proključale tekućine i opekline:

1. Nemojte predugo zagrijavati.
2. Prije grijanja promiješajte tekućinu.
3. U tekućinu je tijekom zagrijavanja preporučljivo umetnuti stakleni štapić ili sličan pribor (koji nije od metala).
4. Po isteku vremena pripreme ostavite tekućinu najmanje 20 sekundi u pećnici kako biste spriječili odgođeno eruptivno ključanje.

Nemojte kuhati jaja u ljusci. Tvrdo kuhana jaja ne smiju se zagrijavati u mikrovalnoj pećnici jer mogu eksplodirati čak i kad se pećnica isključi. Za kuhanje ili podgrijavanje jaja koja nisu pripremljena "na kajganu" najprije probušite žumanjke i bjelanjke. Oljuštite i razrežite tvrdo kuhana jaja prije zagrijavanja u mikrovalnoj pećnici.

Probušite kožu namirnica kao što su krumpiri, kobasice i voće kako ne bi eksplodirali.

UPOZORENJE: sadržaj bočica za hranjenje i staklenki s dječjom hranom potrebno je promiješati ili protresti te prije konzumacije provjeriti temperaturu kako biste izbjegli opekline. Prilikom uklanjanja hrane iz pećnice upotrijebite držače za posuđe ili rukavice. Da biste izbjegli opekline:

- Uvijek otvorite spremnike, ambalažu kokica, vrećice i sl. podalje od lica i šaka kako vas para ne bi opekla te kako ne bi došlo do eruptivnog ključanja. Da biste izbjegli opekline, uvijek provjerite temperaturu hrane i promiješajte prije posluživanja. Osobitu pažnju obratite na temperaturu hrane i pića koje poslužujete bebama, djeci ili starijim osobama. Dostupni dijelovi mogu postati vrući tijekom uporabe. Malu djecu treba držati podalje.
- Temperatura spremnika nije stvaran pokazatelj temperature hrane ili tekućine. Uvijek provjerite temperaturu hrane.
- Budite oprezni prilikom otvaranja vrata pećnice kako vas ne bi opekla para ili vrućina koja izađe iz pećnice.
- Nakon grijanja razrežite punjeni pečeni krumpir kako bi izašla para i kako se ne biste opekli.
- Držite djecu podalje od vrata kako se ne bi opekla.

UPOZORENJE: djeca u dobi od najmanje 8 godina smiju rabiti uređaj bez nadzora samo ako su primila odgovarajuće upute za sigurnu upotrebu uređaja te su upoznata s opasnostima nepravilne upotrebe.

Kada se uređaj upotrebljava u načinima GRILL (Pečenje), MIX GRILL (Kombinirano pečenje), CONVECTION (Konvekcija), MIX CONVECTION (Kombinirana konvekcija i AUTO MENU (Automatski izbornik) (način rada ovisi o modelu), djeca ne smiju upotrebljavati uređaj bez nadzora zbog temperature koja se stvara.

Ovaj uređaj nije predviđen za uporabu od strane osoba (uključujući djecu) sa smanjenim fizičkim, osjetilnim ili mentalnim sposobnostima ili nedostatkom iskustva i znanja, osim ako su pod nadzorom ili su primila upute za sigurnu uporabu uređaja od osobe odgovorne za njihovu sigurnost.

Djeca moraju biti pod nadzorom kako se ne bi igrala uređajem. Ako djeca čiste uređaj, također trebaju biti pod nadzorom.

Modeli s elektroničkom dodirnom pločom opremljeni su dječjom blokadom.

Nemojte se naslanjati ni vješati na vrata pećnice. Nemojte se igrati pećnicom niti je koristiti kao igračku.

Djecu treba podučiti svim važnim sigurnosnim uputama: upotrebi držača posuda, pažljivom uklanjanju pokrova hrane, obraćanju pažnje na ambalažu koja služi tome da hranu učini hrskavom (samozagrijavajući materijali) jer može biti vrlo vruća.

Ostala upozorenja

Nemojte raditi nikakve izmjene na pećnici.

Nemojte pomicati pećnicu dok radi.

Ova pećnica predviđena je samo za pripremu hrane u kućanstvu te se može koristiti samo za kuhanje hrane i pića. Sušenje hrane ili odjeće te zagrijavanje grijaćih podložaka, papuča, spužvi, vlažne odjeće i sl. može predstavljati rizik od ozljeda i požara. Nije prikladna za komercijalnu ili laboratorijsku upotrebu.

Za upotrebu pećnice bez problema i izbjegavanje oštećenja:

Nemojte koristiti pećnicu ako je prazna. Ako pripremate jelo koje treba zapeći ili posuđe od samozagrijavajućeg materijala, ispod njih uvijek postavite izolator kao što je porculanska ploča kako biste izbjegli oštećenje okretnog tanjura i podloška zbog vrućine. Ne smije se prekoračiti vrijeme pripreme navedeno u odjeljku s receptima.

Nemojte koristiti metalni pribor koji reflektira mikrovalove i može uzrokovati električno iskrenje. U pećnicu nemojte stavljati konzerve.

Da biste spriječili pucanje okretnog tanjura ili dna pećnice:

- a) Pričekajte da se ohladi prije čišćenja.
- b) Na hladan okretan tanjur ili dno pećnice nemojte stavljati vruću hranu ili pribor.
- c) Tijekom rada pećnice nemojte ništa stavljati na vanjsko kućište.

NAPOMENA:

Nemojte rabiti plastične spremnike za zagrijavanje mikrovalovima ako je pećnica još uvijek vruća od upotrebe kombiniranog načina rada (ovisno o modelu) jer se mogu rastopiti.

Plastični spremnici možda nisu prikladni za uporabu u navedenim načinima rada, osim ako proizvođač to izričito navodi.

Ako niste sigurni kako priključiti svoju pećnicu, obratite se ovlaštenom i kvalificiranom električaru.

Proizvođač i dobavljač ne prihvaćaju nikakvu odgovornost za oštećenja pećnice ili osobne ozljede proizašle iz nepoštivanja pravilnih postupaka za izvođenje električnih vodova.

Na stijenkama pećnice i oko brtvi vrata može povremeno nastati vodena para ili kapi. To je normalna pojava i ne znači da je mikrovalna pećnica pokvarena ili da propušta.

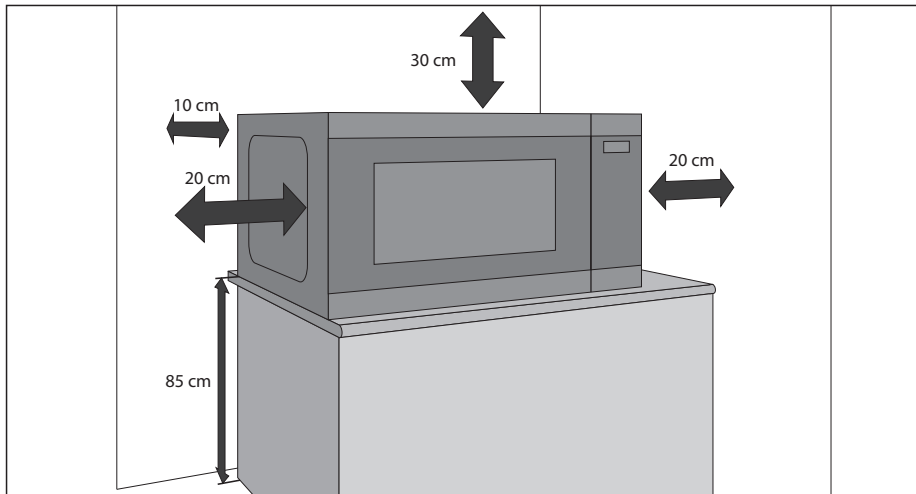
Ova pećnica predviđena je za upotrebu u kućanstvima te čajnim kuhinjama za osoblje u trgovinama, uredima, hotelima, motelima i sličnim okruženjima.



Ovaj simbol znači da površine tijekom uporabe mogu postati vrlo vruće.

POSTAVLJANJE

- Iz unutrašnjosti pećnice uklonite svu ambalažu i uklonite sav zaštitni film s površine kućišta pećnice.
 - Pažljivo provjerite ima li znakova oštećenja na pećnici.
 - Pećnicu stavite na ravnu i stabilnu površinu, dovoljno čvrstu da može podnijeti težinu pećnice i najtežih namirnica koje ćete u njoj pripremati. Pećnicu nemojte stavljati u kuhinjski ormarić i sl.
 - Odaberite ravnu površinu s dovoljno slobodnog prostora za prozračivanje putem ulaznih i izlaznih otvora za zrak. Stražnju površinu uređaja treba postaviti okrenutu prema zidu.
- Minimalna visina postavljanja je 85 cm.
 - Između pećnice i okolnih zidova ili predmeta treba biti najmanje 20 cm prostora.
 - Ostavite najmanje 30 cm slobodnog prostora iznad pećnice.
 - Nemojte uklanjati nožice s donje strane pećnice.
 - Blokiranje ulaznih i/ili izlaznih otvora zraka može uzrokovati kvar pećnice.
 - Pećnicu postavite što dalje od radija i televizora. Uporaba mikrovalne pećnice može uzrokovati smetnje radijskog ili televizijskog prijema.



- Pravilno priključite utikač pećnice u standardnu uzemljenu strujnu utičnicu.

UPOZORENJE:

Pećnicu nemojte postavljati na mjestima na kojima se stvara toplina ili visoka koncentracija vlage, primjerice blizu ili iznad uobičajene pećnice u blizini zapaljivih materijala, kao što su zavjese.

Nemojte blokirati ventilacijske otvore.

Na pećnicu nemojte stavljati predmete.

Nemojte dodirivati vanjske površine mikrovalne pećnice tijekom upotrebe ili neposredno nakon upotrebe jer su tada vruće.

RADIJSKE SMETNJE

Upotreba mikrovalne pećnice može uzrokovati smetnje radijskog i TV prijema ili slične opreme. Ako primijetite smetnje, možete ih smanjiti ili eliminirati tako da napravite sljedeće:

1. Očistite spoj vrata i otvora pećnice.
2. Preusmjerite antenu radija ili televizora.
3. Premjestite mikrovalnu pećnicu u odnosu na prijemnik.
4. Priključite mikrovalnu pećnicu u drugu utičnicu tako da pećnica i prijemnik ne budu u istom strujnom krugu.

UPUTE ZA UZEMLJIVANJE

Ovaj uređaj mora biti uzemljen. Pećnica je opremljena kabelom sa žicom i utikačem za uzemljenje. Kabel treba priključiti u pravilno postavljenu i uzemljenu strujnu utičnicu. U slučaju kratkog spoja, uzemljenje smanjuje rizik od strujnog udara tako što odvodi električnu struju žicom uzemljenja. Preporučujemo upotrebu zasebnog strujnog kruga namijenjenog samo za pećnicu.



UPOZORENJE: nepravilna upotreba utikača za uzemljenje može rezultirati strujnim udarom.

NAPOMENA:

1. ako imate bilo kakvih pitanja o uzemljenju ili ne razumijete upute, obratite se električaru ili servisu.
2. Proizvođač i dobavljač ne prihvaćaju nikakvu odgovornost za oštećenja pećnice ili tjelesne ozljede proizašle iz nepoštivanja pravilnih postupaka za postavljanje električnih instalacija.

U kabelu napajanja mikrovalne pećnice nalaze se sljedeće žice označene bojama:

zeleni i žuti = UZEMLJENJE

plava = NEUTRALNA

smeđa = NAPON

TEHNIČKI PODACI

Naziv modela:	YC-PS204A	YC-PS234A	YC-PS254A	YC-PG204A	YC-PG234A	YC-PG254A	YC-PG284A
Napon izmjenične struje	230~240 V, 50 Hz jednofazno						
Linjski osigurač/kratkospojnik	10 A						
Snaga:	Mikrovalovi	700 W	900 W	900 W	700 W	900 W	900 W
	Pečenje			900 W	1000 W	1000 W	1000 W
	Isključeni način rada	<0,5W					
	Način rada za uštedu energije	>0,5W					
	Potrebno AC napajanje	1200 W	1400 W	1400 W	1400 W	1400 W	1400 W
Frekvencija mikrovalova	2.450 MHz*						
Vanjske dimenzije (Š) x (V) x (D) mm	455 x 274 x 334	483 x 281 x 377	483 x 281 x 403	455 x 274 x 345	483 x 281 x 395	483 x 281 x 403	539 x 309 x 441
Dimenzije unutrašnjosti (Š) x (V) x (D)** mm	315 x 198 x 297	340 x 220 x 320	340 x 220 x 344	315 x 198 x 297	340 x 220 x 320	340 x 220 x 344	354 x 220 x 358
Kapacitet pećnice	20 litara**	23 litara**	25 litara**	20 litara**	25 litara**	25 litara**	28 litara**
Promjer okretnog tanjura	245 mm	270 mm	270 mm	245 mm	270 mm	270 mm	325 mm
Dimenzije rešetke za pečenje (Š) x (D) mm				190 x 79	80 x 208	80 x 208	89 x 285
Težina	oko 10,5 kg	oko 12,9 kg	oko 13,5 kg	oko 10,9 kg	oko 13,9 kg	oko 13,7 kg	oko 16,6 kg
Svjjetlo pećnice (LED)	1,5 W						

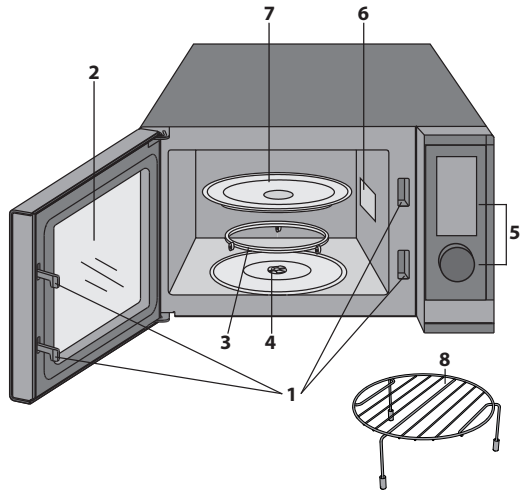
* - Ovaj proizvod zadovoljava zahtjeve europskog standarda EN55011. Sukladno tom standardu, ovaj proizvod klasificiran je kao uređaj klase B, skupine 2. Skupina 2 znači da oprema generira radiofrekvencijsku energiju u obliku elektromagnetskog zračenja u svrhu toplinske obrade hrane. Uređaj klase B znači da je prikladan za upotrebu u kućanstvu.

** - Unutarnji kapacitet izračunat je mjerenjem maksimalne širine, dubine i visine. Stvarni kapacitet je manji.

U SKLOPU NASTOJANJA ZA STALNIM POBOLJŠANJEM ZADRŽAVAMO PRAVO PROMJENE DIZAJNA I SPECIFIKACIJA BEZ PRETHODNE NAJAVE.

PEĆNICA I PRIBOR

1. Sigurnosno zaključavanje vrata
2. Prozorić pećnice
3. Podložak s valjcima
4. Spojnica okretnog tanjura
5. Birač i upravljačke tipke
6. Poklopac provodnika valova (nemojte uklanjati)
7. Stakleni pladanj
8. Rešetka za pečenje za YC-PG204A, YC-PG234A, YC-PG254A i YC-PG284A
9. Ventilacijski otvori
10. Vanjsko kućište
11. Kabel napajanja



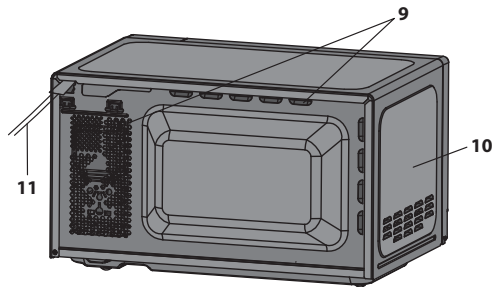
Provjerite je li isporučena sljedeća oprema:

Samo pećnice s pekačem:

- **Rešetka za pečenje** – za upotrebu samo uz pekač.
- Rešetka je predviđena samo za upotrebu uz običnu pećnicu. Nemojte upotrebljavati rešetku uz funkciju mikrovalova.
- Informacije o upotrebi rešetke za pečenje potražite u odjeljcima o pečenju u ovom Korisničkom priručniku.

Nemojte dodirivati grijač dok je vruć.

NAPOMENA: prilikom naručivanja dodatne opreme navedite naziv dijela i naziv modela.



NAPOMENE:

- Nakon pripreme masne hrane bez poklopca, uvijek potpuno očistite unutrašnjost koja mora biti suha i odmašćena. Nakupljena masnoća može se pregrijati, zapaliti ili dimiti.
- Prilikom upotrebe mikrovalova uvijek postavite posuđe na okretni tanjur.
- **NEMOJTE** koristiti rešetku uz mikrovalove.



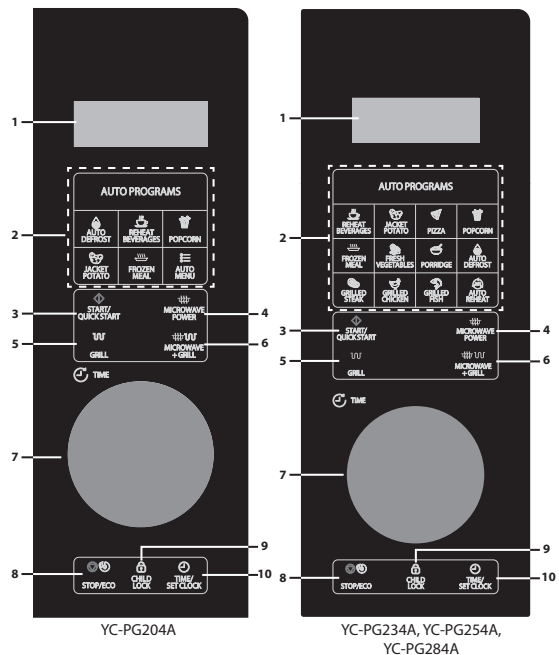
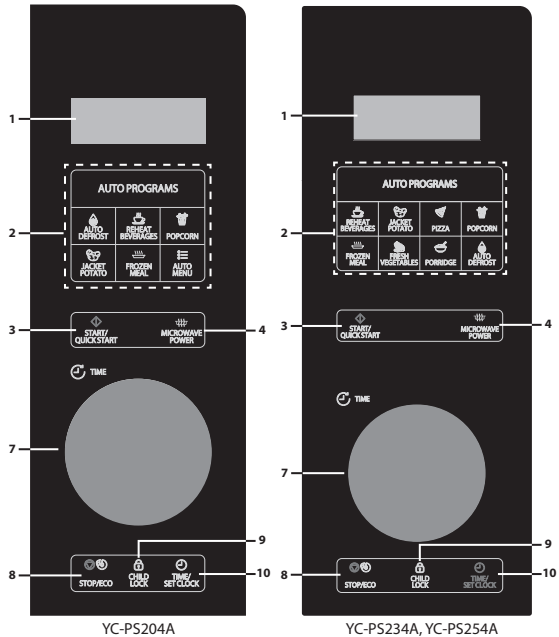
UPOZORENJE:



Ovaj simbol znači da se površine tijekom upotrebe mogu zagrijati. Vrata, vanjsko kućište, unutrašnjost pećnice, pribor i posuđe postaju vrlo topli tijekom uporabe. Kako biste spriječili opekline, uvijek upotrijebite debele rukavice za pećnicu.

UPRAVLJAČKA PLOČA

- DIGITALNI ZASLON** - Prikazuje se vrijeme kuhanja, snaga, indikatori i vrijeme.
- Tipke AUTOMATSKOG IZBORNIKA** - Za odabir funkcija automatskog kuhanja. (Savjete o upotrebi potražite na str. 17).
- START/QUICK START** - (Page 16).
- MICROWAVE POWER** - Pritisnite za odabir snage mikrovalova. (str. 15).
- GRILL** - Pritisnite za odabir programa pečenja (str. 16).
- MICROWAVE+GRILL** - Pritisnite za odabir kombinirane upotrebe mikrovalova i pečenja (str. 16).
- BIRAČ** - Zakrenite u smjeru kazaljke na satu ili obratno za podešavanje različitih funkcija.
- STOP/ECO** - Pritisnite jedanput kako biste privremeno zaustavili kuhanje ili dvaput za potpuno poništenje kuhanja. Upotrijebite za odabir načina rada za uštedu energije. (str. 21).
- CHILD LOCK (Dječja zaštita)** - (str. 22).
- TIME/SET CLOCK** - Za podešavanje sata i štoperice (str. 14).



PRIJE UPOTREBE PEĆNICE

Prilikom prvog uključivanja pećnice čuje se zvučni signal i prikazuje se "1:00". Nije potrebno podesiti sat kako bi pećnica pravilno funkcionirala. Da biste ga podesili, pregledajte upute u odjeljku "**Podešavanje sata**" u ovom Korisničkom priručniku.

Prilikom prve upotrebe pećnice možda ćete primijetiti nešto dima i osjetiti miris. Stoga uključite funkciju pečenja i ostavite pećnicu da radi bez hrane 20-ak minuta.

- Nakon otvaranja i zatvaranja vrata pećnica prelazi u stanje pripravnosti. Ako 1 minutu ne pritisnete nijednu tipku, zaslon ostaje uključen i ne radi nijedna tipka. Za ponovni prelazak u stanje pripravnosti otvorite i zatvorite vrata.
- Ako tijekom upotrebe jedanput pritisnete tipku **STOP/ECO**, rad se pauzira. Za ponovno pokretanje pritisnite tipku **START/QUICK START**. Dvostrukim pritiskom tipke **STOP/ECO** rad se prekida.
- Ako tijekom podešavanja 30 sekundi ne pritisnete nijednu tipku, pećnica se prebacuje u stanje pripravnosti.
- Po dovršetku rada na zaslonu se prikazuje "**End**" i oglašava se zvučni signal svake dvije minute dok ne pritisnete tipku ili ne otvorite vrata.

PODEŠAVANJE SATA

Pećnica je opremljena satom koji prikazuje vrijeme u 12-satnom ili 24-satnom formatu. Da biste podesili sat, napravite sljedeće:

1. U stanju pripravnosti držite pritisnutu tipku **TIME/SET CLOCK** barem 3 sekunde kako biste aktivirali način rada za podešavanje sata.
 2. Pritisnite tipku **TIME/SET CLOCK** kako biste odabrali 12-satni ili 24-satni format prikaza.
 3. Podesite sate zakretanjem **BIRAČA**. Pritisnite tipku **TIME/SET CLOCK** za pohranu.
 4. Podesite minute zakretanjem **BIRAČA**. Pritisnite tipku **TIME/SET CLOCK** za pohranu i izlaz iz načina rada za podešavanje sata.
- Za pravilan rad pećnice nije potrebno podesiti sat.
 - Dok pećnica radi pritisnite tipku **TIME/SET CLOCK** za prikaz vremena (ako je podešeno). Prikaz vremena prebacuje se na prikaz odbrojavanja nakon pet sekundi. Vrijeme se ne može prikazati ako je postavljena kuhinjska štoperica.

KUHANJE U MIKROVALNOJ PEĆNICI

Za upotrebu mikrovalova napravite sljedeće:

1. U stanju pripravnosti pritisnite tipku **MICROWAVE POWER** kako biste odabrali snagu. Svakim pritiskom ove tipke na zaslonu se prikazuje razina snage.
2. Nakon odabira snage mikrovalova zakrenite **BIRAČ** kako biste odabrali vrijeme rada.
3. Pritisnite tipku **START/QUICK START** za početak rada.
4. Po dovršetku rada na zaslonu se prikazuje "**End**" i oglašava se zvučni signal svake dvije minute dok ne pritisnete tipku ili ne otvorite vrata.

U tablici prikazanoj u nastavku okvirne su vrijednosti. Pećnica podržava 10 razina snage mikrovalova: 10%, 20%, 30%, 40%, 50%, 60%, 70%, 80%, 90% i 100%. Stvarnu snagu možete izračunati tako da snagu mikrovalne pećnice pomnožite s postotkom.

Vodič za upotrebu mikrovalova:

Zaslon:	Snaga mikrovalova	Preporučena upotreba
P100	100 %	Za brzo kuhanje ili podgrijavanje variva, toplih napitaka, povrća itd.
P-80	80 %	Za gustu hranu koja zahtijeva dugo vrijeme kuhanja kad se priprema na uobičajen način, npr. jela od govedine. Ova postavka preporučuje se ako želite da meso bude meko.
P-60	60 %	Za dulje kuhanje tvrđe i guste hrane kao što su koljenice, mesne štruce i sl. te za osjetljiva jela poput umaka od sira i spužvastih kolača.
P-40	40 %	Postavka za odmrzavanje. Odaberite ovu postavku za ravnomjerno odmrzavanje namirnica. Ova je postavka idealna i za kuhanje riže, tjestenine, valjušaka te kreme od jaja.
P-20	20 %	Za lagano odmrzavanje, npr. torti i kremastih kolača.

- Tijekom kuhanja možete provjeriti snagu tako da držite pritisnutu tipku **MICROWAVE POWER**.
- Najdulje vrijeme kuhanja je 95 minuta.

BRZO POKRETANJE

Ako želite kuhati na 100% snage, jednostavno pritisnite tipku **START/QUICK START** iznad **BIRAČA** u stanju pripravnosti. Svakim pritiskom tipke **START/QUICK START** povećava se vrijeme kuhanja za 30 sekundi.

PEČENJE*

Grijač u gornjem dijelu pećnice podržava samo jednu postavku snage. Učinkovit je i ekonomičan. Idealan je za pečenje šunke, odrezaka, ribljih štipača, čajnih kolačića i sl.

Upotrijebite rešetku za pečenje manjih komada namirnica kao što su šunka i kobasice. Preokrenite ih na pola pečenja. Hranu možete postaviti izravno na rešetku ili na vatrostalni tanjur ili sl. Ispod rešetke za pečenje postavite odgovarajući pladanj za prikupljanje ocijeđenih masnoća.

Prilikom zapecivanja hrane u posudi za složenice ili sl. možete upotrijebiti rešetku za pečenje ako je posuda dovoljno plitka. Međutim, preporučujemo da takve posude stavite izravno na okretni tanjur. Tako hrana neće biti preblizu grijaču i postupno će se zapeći.

Za upotrebu pekača napravite sljedeće:

1. U stanju pripravnosti pritisnite tipku **GRILL** kako biste odabrali funkciju pečenja. Na zaslonu će se prikazati "**Grill**".
2. Podesite vrijeme rada zakretanjem **BIRAČA**.
3. Pritisnite tipku **START/QUICK START** za početak rada.
4. Po dovršetku rada na zaslonu se prikazuje "**End**" i oglašava se zvučni signal svake 2 minute dok ne pritisnete tipku ili ne otvorite vrata.

* - Samo za modele s pekačem.

MIKROVALOVI + PEČENJE*

Istovremena upotreba pekača i mikrovalova omogućuje brzo zapecivanje i kuhanje hrane. Da biste to učinili, napravite sljedeće:

1. U stanju pripravnosti jedanput pritisnite tipku **MICROWAVE + GRILL** ili dvaput kako biste odabrali "Co-1" ili "Co-2".
2. Podesite vrijeme rada zakretanjem **BIRAČA**.
3. Pritisnite tipku **START/QUICK START** za pokretanje.
4. Po dovršetku rada na zaslonu se prikazuje "**End**" i oglašava se zvučni signal svake dvije minute dok ne pritisnete tipku ili ne otvorite vrata.

Funkcija Microwave + Grill

Zaslon:	Izlaz	Preporučena upotreba
Co-1	70% pekač / 30% mikrovalovi	Komadi piletine, pileća prsa, svinjski kotleti
Co-2	56% pekač / 44% mikrovalovi	Cijelo pile

- Maksimalno vrijeme rada uz pekač je 95 minuta.
- Tijekom pečenja otvorite prozore ili uključite kuhinjsku ventilaciju kako bi dim i mirisi mogli izlaziti. Pojava dima i mirisa uobičajena je i ne znači da je pećnica u kvaru.
- Tijekom rada možete provjeriti trenutni raspored snage između pečenja i mikrovalova pritiskom tipke **MICROWAVE + GRILL**.
- Pekač se tijekom upotrebe uključuje i isključuje u pravilnim intervalima kako se ne bi pregrijao.
- Prilikom upotrebe funkcije MICROWAVE+GRILL hranu u odgovarajućem spremniku možete staviti izravno na okretni tanjur ili na rešetku za pečenje.

UPOZORENJE: Vrata, vanjsko kućište, unutrašnjost pećnice, pribor i posude mogu postati vrlo vrući tijekom rada. Da biste spriječili opekline, uvijek upotrijebite debele rukavice za pećnicu.

* - Samo za modele s pekačem.

AUTOMATSKI IZBORNİK

Automatski programi omogućuju brzu i učinkovitu pripremu hrane uz samo nekoliko pritisaka tipki. Nije potrebno programirati trajanje ni snagu rada. Dovoljno je samo pritisnuti odgovarajuću tipku automatskog programa, unijeti težinu / broj komada zakretanjem **BIRAČA** i pritisnuti tipku **START/QUICK START**.

Uzmimo kao primjer pripremu dvaju krumpira u ljusci.

1. Otvorite vrata i stavite hranu u pećnicu u odgovarajućem posudu.
2. Zatvorite vrata.
3. Jedanput pritisnite tipku **JACKET POTATO**.
4. Unesite broj krumpira zakretanjem **BIRAČA**.
5. Pritisnite tipku **START/QUICK START**.
6. Po dovršetku rada na zaslonu se prikazuje "End" i oglašava se zvučni signal svake dvije minute dok ne pritisnete tipku ili ne otvorite vrata.

Izbornici automatske upotrebe:

Automatski program	Veličina/Težina
Frozen Meal (Zamrznuta jela) Auto Defrost (Automatsko odmrzavanje) Auto Reheat (Automatsko podgrijavanje)	Odaberite težinu zakretanjem BIRAČA . Frozen Meal i Auto reheat (200 do 800g), Auto Defrost (100 do 1800 g)
Reheat Beverages (Podgrijavanje pića)	Odaberite broj šalica (200 ml po šalici) zakretanjem BIRAČA (1 do 3 šalice).
Jacket Potato (Krumpir u ljusci)	Odaberite broj krumpira (230 g po krumpiru) zakretanjem BIRAČA (1 ili 2 krumpira).
Pizza	Odaberite težinu pizze (150 g / 300 g / 450 g) zakretanjem BIRAČA .
Popcorn (Kokice)	Odaberite broj paketa kokica (100 g po paketu) zakretanjem BIRAČA .
Fresh Vegetables (Svježe povrće)	Odaberite težinu povrća (200 g do 600 g) zakretanjem BIRAČA .
Zobena kaša	Odaberite težinu kaše (u gramima) zakretanjem BIRAČA (od 50 do 150 g).
Grilled Steak (Pečeni odrezak) (samo modeli s pekačem)	Odaberite težinu odreska (200 g do 600 g) zakretanjem BIRAČA .
Grilled Chicken (Pečeno pile) (samo modeli s pekačem)	Odaberite težinu pileta (200 g do 600 g) zakretanjem BIRAČA .
Grilled Fish (Pečena riba) (samo modeli s pekačem)	Odaberite težinu ribe (200 g do 600 g) zakretanjem BIRAČA .

- Rezultat automatskog kuhanja ovisi o čimbenicima kao što su oblik i veličina namirnica, osobni ukus i sl. te razmještaj namirnica u pećnici. Ako niste zadovoljni rezultatima, prilagodite vrijeme rada.

Napomena: tipka Auto Menu upotrebljava se samo na modelima YC-PG204A i YC-PS204A. Svakim pritiskom tipke Auto Menu na zaslonu se prikazuje automatski program kao u prethodnoj tablici. Kad pronađete odgovarajući automatski izbornik, zakretanjem **BIRAČA** odaberite težinu hrane koju pripremate.

Pojedinosti o automatskim programima

Hrana	Količina	Početna temperatura	Tehnika kuhanja
Reheat Beverages (Podgrijavanje pića)	1 do 3 šalice 1 šalica = 200 ml	Sobna temperatura	<ol style="list-style-type: none"> 1. Piće koje zagrijavate postavite u središte staklenog okretnog tanjura u mikrovalnoj pećnici. 2. Zatvorite vrata, pritisnite tipku REHEAT BEVERAGES i odaberite broj šalica zakretanjem BIRAČA. 3. Pritisnite tipku START/QUICK START za početak rada. 4. Kada se mjerac vremena zaustavi, izvadite piće. Budite oprezni jer će piće biti vruće.
Krumpir u ljusci	1 do 2 krumpira 1 krumpir = 230 ± 10 g	Sobna temperatura	<ol style="list-style-type: none"> 1. Operite i osušite krumpir(e) te probušite površinu krumpira vilicom nekoliko puta. 2. Krumpire postavite u središte staklenog okretnog tanjura u mikrovalnoj pećnici. 3. Zatvorite vrata, pritisnite tipku JACKET POTATO (krumpir u ljusci) i odaberite broj krumpira zakretanjem BIRAČA. 4. Pritisnite tipku START/QUICK START za početak rada. 5. Kada se mjerac vremena zaustavi, izvadite krumpir(e). Budite oprezni jer će krumpiri biti vrući.
Pizza	150 do 450 g	Zamrznuta na -18°C	<ol style="list-style-type: none"> 1. Postavite pizzu na tanjur prikladan za upotrebu u mikrovalnoj pećnici i stavite tanjur u središte staklenog okretnog tanjura. 2. Zatvorite vrata, pritisnite tipku PIZZA i odaberite težinu zakretanjem BIRAČA. 3. Pritisnite tipku START/QUICK START za početak rada. 4. Kada se mjerac vremena zaustavi, izvadite pizzu iz mikrovalne pećnice. Budite oprezni jer će hrana biti vruća.
Popcorn (Kokice)	100 g	Sobna temperatura	<ol style="list-style-type: none"> 1. Postavite kokice u središte staklenog okretnog tanjura u mikrovalnoj pećnici. 2. Zatvorite vrata i pritisnite tipku POPCORN. 3. Pritisnite tipku START/QUICK START za početak rada. 4. Kada se mjerac vremena zaustavi, izvadite kokice iz mikrovalne pećnice. Budite oprezni jer će hrana biti vruća.
Frozen Meal (Zamrznuta jela)	200 do 800 g	Zamrznuta na -18°C	<ol style="list-style-type: none"> 1. Postavite zamrznuto jelo u posudu prikladnu za upotrebu u mikrovalnoj pećnici i prekritje plastičnom folijom. Probušite rupice u plastici. 2. Jelo postavite u središte staklenog okretnog tanjura u mikrovalnoj pećnici. 3. Zatvorite vrata, pritisnite tipku FROZEN MEAL i odaberite težinu zakretanjem BIRAČA. 4. Pritisnite tipku START/QUICK START za početak rada. 5. Kada se mjerac vremena zaustavi, izvadite i poslužite. Budite oprezni jer će hrana biti vruća.
Fresh Vegetables (Svježe povrće)	200 do 600 g	Sobna temperatura	<ol style="list-style-type: none"> 1. Operite povrće i narežite ga na male komade duge 25-30 mm i debele 10 mm. 2. Postavite ove komade u keramičku posudu prikladnu za upotrebu u mikrovalnoj pećnici i prekritje plastičnom folijom. Probušite rupice u plastici. 3. Posudu postavite u središte staklenog okretnog tanjura u mikrovalnoj pećnici. 4. Zatvorite vrata, pritisnite tipku FRESH VEGETABLES i odaberite težinu zakretanjem BIRAČA. 5. Pritisnite tipku START/QUICK START za početak rada. 6. Kada se mjerac vremena zaustavi, izvadite i poslužite. Budite oprezni jer će hrana biti vruća.
Zobena kaša	50 do 150 g	Sobna temperatura	<ol style="list-style-type: none"> 1. Pomiješajte zobene pahuljice i mlijeko u zdjeli. Preporučujemo 180 ml mlijeka na 50 g pahuljica. 2. Posudu postavite u središte staklenog okretnog tanjura. 3. Zatvorite vrata, pritisnite tipku PORRIDGE i odaberite težinu zakretanjem BIRAČA. 4. Pritisnite tipku START/QUICK START za početak rada. 5. Kada se mjerac vremena zaustavi, izvadite i poslužite.
Auto Reheat (Automatsko podgrijavanje)	200 do 800 g	Ohladeno na 5°C	<ol style="list-style-type: none"> 1. Hladnu rižu ili tjesteninu stavite u keramičku posudu prikladnu za upotrebu u mikrovalnoj pećnici i prekritje plastičnom folijom. Probušite rupice u plastici. 2. Posudu postavite u središte staklenog okretnog tanjura u mikrovalnoj pećnici. 3. Zatvorite vrata, pritisnite tipku AUTO REHEAT i odaberite težinu zakretanjem BIRAČA. 4. Pritisnite tipku START/QUICK START za početak rada. 5. Kada se mjerac vremena zaustavi, izvadite i poslužite.
Pečeni odrezak	200 do 600 g	Sobna temperatura	<ol style="list-style-type: none"> 1. Ravnomjerno raspodijelite odrezak na rešetku roštilja prekrivenu papirom za pečenje. 2. Rešetku roštilja postavite u središte staklenog okretnog tanjura u mikrovalnoj pećnici. 3. Zatvorite vrata, pritisnite tipku GRILLED STEAK i odaberite težinu zakretanjem BIRAČA. 4. Pritisnite tipku START/QUICK START za početak rada. 5. Kada proteknu dvije trećine vremena pečenja, otvorite vrata i preokrenite hranu. Zatim zatvorite vrata i nastavite s pečenjem. 6. Kada se mjerac vremena zaustavi, izvadite i poslužite. Budite oprezni jer će hrana i pribor biti vrući.
Komadi piletine na roštilju	200 do 600 g	Sobna temperatura	<ol style="list-style-type: none"> 1. Ravnomjerno raspodijelite komade piletine na rešetku roštilja prekrivenu papirom za pečenje. 2. Rešetku roštilja postavite u središte staklenog okretnog tanjura u mikrovalnoj pećnici. 3. Zatvorite vrata, pritisnite tipku GRILLED CHICKEN i odaberite težinu zakretanjem BIRAČA. 4. Pritisnite tipku START/QUICK START za početak rada. 5. Kada proteknu dvije trećine vremena pečenja, otvorite vrata i preokrenite hranu. Zatim zatvorite vrata i nastavite s pečenjem. 6. Kada se mjerac vremena zaustavi, izvadite i poslužite. Budite oprezni jer će hrana i pribor biti vrući.
Riba pečena na roštilju	100 do 500 g	Sobna temperatura	<ol style="list-style-type: none"> 1. Ravnomjerno raspodijelite komade ribe na rešetku roštilja prekrivenu papirom za pečenje. 2. Rešetku roštilja postavite u središte staklenog okretnog tanjura u mikrovalnoj pećnici. 3. Zatvorite vrata, pritisnite tipku GRILLED FISH i odaberite težinu zakretanjem BIRAČA. 4. Pritisnite tipku START/QUICK START za početak rada. 5. Kada proteknu dvije trećine vremena pečenja, otvorite vrata i preokrenite hranu. Zatim zatvorite vrata i nastavite s pečenjem. 6. Kada se mjerac vremena zaustavi, izvadite i poslužite. Budite oprezni jer će hrana i pribor biti vrući.

Napomena	Način rada pećnice i upotrijebljena metoda	YC-PS204A	YC-PS234A i YC-PS254A	YC-PG204A	YC-PG234A, YC-PG254A i YC-PG284A
	Samo mikrovalovi na 100%	1 šalica - 1:40 minuta 2 šalice: 3:00 minute 3 šalice: 4:20 minuta	1 šalica - 1:30 minuta 2 šalice: 2:40 minute 3 šalice: 3:50 minuta	1 šalica - 1:40 minuta 2 šalice: 3:00 minute 3 šalice: 4:20 minuta	1 šalica - 1:30 minuta 2 šalice: 2:40 minute 3 šalice: 3:50 minuta
	Samo mikrovalovi na 100%	1 krumpir - 6:00 minuta 2 krumpira: 9:00 minuta 3 krumpira: 13:00 minuta	1 krumpir - 5:00 minuta 2 krumpira: 8:00 minuta 3 krumpira: 12:00 minuta	1 krumpir - 6:00 minuta 2 krumpira: 9:00 minuta 3 krumpira: 13:00 minuta	1 krumpir - 5:00 minuta 2 krumpira: 8:00 minuta 3 krumpira: 12:00 minuta
Kod modela YC-PS204A i YC-PG204A tipku AUTO MENU treba pritisnuti dok se ne pojavi program.	Samo mikrovalovi na 100%	150 g - 1:00 minuta 300 g - 1:30 minuta 450 g: 2:00 minuta	150 g - 0:50 minuta 300 g - 1:20 minuta 450 g: 1:50 minuta	150 g - 1:00 minuta 300 g - 1:30 minuta 450 g: 2:00 minuta	150 g - 0:50 minuta 300 g - 1:20 minuta 450 g: 1:50 minuta
	Samo mikrovalovi na 100%	100 g: 3:00 minuta	100 g: 2:00 minuta	100 g: 3:00 minuta	100 g: 2:30 minuta
	Mikrovalovi na 100% tijekom 1/2 vremena, zatim 0% tijekom 1/6 vremena te 100% tijekom 1/3 vremena	200g: 8:00 minuta 400 g: 11:00 minuta 600g: 15:00 minuta 800g: 18:00 minuta	200 g: 6:00 minuta 400 g: 9:00 minuta 600 g: 13:00 minuta 800 g: 16:00 minuta	200 g: 8:00 minuta 400 g: 11:00 minuta 600 g: 15:00 minuta 800 g: 18:00 minuta	200 g: 6:00 minuta 400 g: 9:00 minuta 600 g: 13:00 minuta 800 g: 16:00 minuta
Kod modela YC-PS204A i YC-PG204A tipku AUTO MENU treba pritisnuti dok se ne pojavi program.	Samo mikrovalovi na 100%	200 g: 3:30 minuta 300 g: 4:30 minuta 400 g: 5:30 minuta 500 g: 6:30 minuta 600 g: 7:30 minuta	200 g: 3:00 minuta 300 g: 4:00 minuta 400 g: 5:00 minuta 500 g: 6:00 minuta 600 g: 7:00 minuta	200 g: 3:30 minuta 300 g: 4:30 minuta 400 g: 5:30 minuta 500 g: 6:30 minuta 600 g: 7:30 minuta	200 g: 3:00 minuta 300 g: 4:00 minuta 400 g: 5:00 minuta 500 g: 6:00 minuta 600 g: 7:00 minuta
Kod modela YC-PS204A i YC-PG204A tipku AUTO MENU treba pritisnuti dok se ne pojavi program.	Mikrovalovi - 100%	50 g: 2:00 minuta 100 g: 3:30 minuta 150 g: 5:30 minuta	50 g: 2:00 minuta 100 g: 3:30 minuta 150 g: 5:30 minuta	50 g: 2:00 minuta 100 g: 3:30 minuta 150 g: 5:30 minuta	50 g: 2:00 minuta 100 g: 3:30 minuta 150 g: 5:30 minuta
Kod modela YC-PG204A tipku AUTO MENU treba pritisnuti dok se ne pojavi program.	Samo mikrovalovi na 100%	200 g: 2:00 minuta 300 g: 2:40 minuta 400 g: 3:20 minuta 500 g: 4:00 minuta 600 g: 4:40 minuta 700 g: 5:20 minuta 800 g: 6:00 minuta	200 g: 1:30 minuta 300 g: 2:00 minuta 400 g: 2:30 minuta 500 g: 3:00 minuta 600 g: 3:30 minuta 700 g: 4:00 minuta 800 g: 4:30 minuta	200 g: 2:00 minuta 300 g: 2:40 minuta 400 g: 3:20 minuta 500 g: 4:00 minuta 600 g: 4:40 minuta 700 g: 5:20 minuta 800 g: 6:00 minuta	200 g: 1:30 minuta 300 g: 2:00 minuta 400 g: 2:30 minuta 500 g: 3:00 minuta 600 g: 3:30 minuta 700 g: 4:00 minuta 800 g: 4:30 minuta
Kod modela YC-PG204A tipku AUTO MENU treba pritisnuti dok se ne pojavi program.	Mikrovalna pećnica radi na 100% tijekom 10 sekundi, a zatim se pekač uključuje na 23 sekunde. Ovaj se ciklus ponavlja do isteka vremena pripreme. Mikrovalovi i pekač nikad se ne uključuju istovremeno.	N/A	N/A	200 g: 15:00 minuta 300 g: 18:00 minuta 400 g: 21:00 minuta 500 g: 24:00 minute 600 g: 27:00 minute	200 g: 15:00 minuta 300 g: 18:00 minuta 400 g: 21:00 minuta 500 g: 24:00 minute 600 g: 27:00 minute
Kod modela YC-PG204A tipku AUTO MENU treba pritisnuti dok se ne pojavi program.	Mikrovalna pećnica radi na 100% tijekom 10 sekundi, a zatim se pekač uključuje na 23 sekunde. Ovaj se ciklus ponavlja do isteka vremena pripreme. Mikrovalovi i pekač nikad se ne uključuju istovremeno.	N/A	N/A	200 g: 15:00 minuta 300 g: 18:00 minuta 400 g: 21:00 minuta 500 g: 24:00 minute 600 g: 27:00 minute	200 g: 15:00 minuta 300 g: 18:00 minuta 400 g: 21:00 minuta 500 g: 24:00 minute 600 g: 27:00 minute
Kod modela YC-PG204A tipku AUTO MENU treba pritisnuti dok se ne pojavi program.	Mikrovalna pećnica radi na 100% tijekom 10 sekundi, a zatim se pekač uključuje na 23 sekunde. Ovaj se ciklus ponavlja do isteka vremena pripreme. Mikrovalovi i pekač nikad se ne uključuju istovremeno.	N/A	N/A	100 g: 12:00 minuta 200 g: 15:00 minuta 300 g: 18:00 minuta 400 g: 21:00 minuta 500 g: 24:00 minute	100 g: 12:00 minuta 200 g: 15:00 minuta 300 g: 18:00 minuta 400 g: 21:00 minuta 500 g: 24:00 minute

AUTOMATSKO ODMRZAVANJE

Omogućuje odmrzavanje hrane prema njezinoj težini. Vrijeme odmrzavanja i snaga automatski se podešavaju nakon odabira vrste hrane i njezine težine. Težina zamrznute hrane je od 100 g do 1.800 g.

1. U stanju pripravnosti pritisnite tipku **AUTO DEFROST**.
2. Odaberite težinu hrane za odmrzavanje pomoću **BIRAČA**.
3. Pritisnite tipku **START/QUICK START** za početak odmrzavanja.
4. Ako se pećnica isključuje tijekom odmrzavanja, preokrenite hranu kako bi se ravnomjerno odmrzavala i pritisnite **START/QUICK START** za nastavak odmrzavanja.
5. Po dovršetku odmrzavanja na zaslonu se prikazuje "End" i oglašava se zvučni signal svake 2 minute dok ne pritisnete tipku ili ne otvorite vrata.

Automatsko odmrzavanje - Upotreba

Model	Raspon težina	Raspon vremena odmrzavanja	Upotreba odmrzavanja	Postupak
YC-PG204A	100 do 1800 g	5,5 to 39,5 minuta	Mikrovalovi na 40% tijekom 1/3 vremena, a zatim 20% tijekom sljedeće 1/3 vremena. Nakon signala za preokretanje, odmrzavanje na 20% tijekom preostalog vremena.	<ol style="list-style-type: none"> 1. Postavite zamrznutu hranu u posudu prikladnu za upotrebu u mikrovalnoj pećnici i prekrijte plastičnom folijom. Probušite rupice u plastici. 2. Jelo postavite u središte staklenog okretnog tanjura u mikrovalnoj pećnici. 3. Zatvorite vrata, pritisnite tipku AUTO DEFROST i odaberite težinu zakretanjem BIRAČA. 4. Pritisnite tipku START / BRZO POKRETANJE kako biste pokrenuli odmrzavanje. 5. U nekom dijelu ciklusa odmrzavanja pećnica će se zaustaviti. Tada je potrebno preokrenuti hranu. 6. Otvorite vrata i preokrenite/preraspodijelite hranu. Zatvorite vrata. 7. Pritisnite tipku START / BRZO POKRETANJE kako biste nastavili s odmrzavanjem. 8. Kada se mjerač vremena zaustavi, izvadite hranu iz pećnice. Provjerite je li hrana potpuno odmrznuta.
YC-PG204A	100 do 1800 g	5 to 39 minuta		
YC-PS234A i YC-PG234A	100 do 1800 g	5,5 to 39,5 minuta	Mikrovalovi 20% tijekom pola vremena uz podsjetnik na preokretanje. 20% snage tijekom preostalog vremena.	
YC-PS254A, YC-PG254A i YC-PG284A	100 do 1800 g	3 to 37 minuta	Mikrovalovi na 30% tijekom 1/3 vremena, a zatim 20% tijekom sljedeće 1/3 vremena. Nakon signala za preokretanje, odmrzavanje na 20% tijekom preostalog vremena.	

AUTOMATSKO PODGRIJAVANJE*

Pećnica omogućuje podgrijavanje hrane prema težini koju unese korisnik.

Vrijeme podgrijavanja i snaga automatski se podešavaju nakon unosa vrste i težine hrane. Težina zamrznute hrane je od 100 g do 1.800 g.

1. U stanju pripravnosti pritisnite tipku **AUTO REHEAT**.
2. Odaberite težinu hrane za podgrijavanje pomoću **BIRAČA**.
3. Pritisnite **START/QUICK START**.
4. Po dovršetku rada na zaslonu se prikazuje "End" i oglašava se zvučni signal svake dvije minute dok ne pritisnete tipku ili ne otvorite vrata.

* - Samo za modele s pekačem.

KUHINJSKA ŠTOPERICA

Pećnica je opremljena kuhinjskom štopericom koja odbrojava podešeno vrijeme.

1. U stanju pripravnosti jedanput pritisnite tipku **TIME/SET CLOCK**.
2. Podesite vrijeme zakretanjem **BIRAČA** Najdulje vrijeme je 95 minuta.
3. Pritisnite **START/QUICK START** za potvrdu.
4. Na zaslonu će se prikazati odbrojavanje podešenog vremena.
5. Kad odbrojavanje dođe do nule oglašava se zvučni signal.

Kuhinjsku štopericu možete upotrijebiti i tijekom rada pećnice. Da biste to učinili, primijenite prethodno opisane postupke. Nakon aktivacije kuhinjske štoperice, odbrojavanje se na pet sekundi prikazuje na zaslonu, a zatim se prikaz mijenja u odbrojavanje za trenutni postupak obrade hrane. Jednim pritiskom tipke **TIME/SET CLOCK** na zaslonu se na pet sekundi prikazuje kuhinjska štoperica, a zatim se prikaz vraća na odbrojavanje trenutnog postupka obrade.

- Da biste poništili program **ŠTOPERICE**, pritisnite tipku **STOP/ECO** i na zaslonu će se prikazati vrijeme.
- Ako je postupak obrade hrane već pokrenut, kuhinjsku štopericu možete pokrenuti primjenom prethodnih postupaka.

ZNAČAJKA UŠTEDE ENERGIJE

Ova značajka omogućuje uštedu energije dok se pećnica ne upotrebljava. Da biste aktivirali ovu funkciju u stanju pripravnosti, 3 sekunde držite pritisnutu tipku **STOP/ECO**. Zaslom će se isključiti, a pećnica će prijeći u način rada za uštedu energije.

Način rada za uštedu energije može se poništiti pritiskom bilo koje tipke ili otvaranjem i zatvaranjem vrata pećnice.

FUNKCIJA PRIGUŠIVANJA

Ova funkcija omogućuje isključivanje svih zvukova pećnice. Da biste aktivirali funkciju prigušivanja, jedanput pritisnite tipku **CHILD LOCK**. Na zaslonu će se na 5 sekundi prikazati "**oFF**". Dok je ova funkcija aktivna, ne čuje se nikakav zvuk prilikom pritiska tipki.

Da biste isključili funkciju isključivanja zvuka, jednom pritisnite tipku **CHILD LOCK**, na zaslonu će se prikazati "**on**" na 5 sekundi što znači da je zvuk ponovno uključen.

Ako je funkcija prigušivanja aktivirana u trenutku iskapčanja pećnice iz napajanja, funkcija se poništava nakon ponovne uspostave napajanja.

SIGURNOSNA BLOKADA

Ovo je automatska funkcija koja sprječava neovlaštenu upotrebu pećnice od strane djece. Ako je pećnica u stanju pripravnosti i korisnik jednu minutu ne pritisne nijednu tipku, pećnica automatski prelazi u stanje sigurnosnog zaključavanja i na zaslonu se prikazuje "**Loc**". Za to vrijeme sve su tipke onemogućene. Ako pritisnete bilo koju tipku, na zaslonu se na 5 sekundi pojavljuje indikator koji podsjeća da je uključena sigurnosna blokada.

Da biste isključili sigurnosnu blokadu, jednostavno otvorite i zatvorite vrata pećnice. Tipkovnica će se ponovo aktivirati, a indikator blokade će se isključiti.

DJEČJA ZAŠTITA

Da biste postavili DJEČJU ZAŠTITU, 3 sekunde držite pritisnutu tipku **CHILD LOCK**. Čuje se dugi zvučni signal i na zaslonu se prikazuje "**Loc**". Pećnica je sada u načinu DJEČJE ZAŠTITE. U ovom načinu rada na zaslonu će biti prikazan sat. Ako se pritisne bilo koja tipka ili otvore vrata, na zaslonu se na 5 sekundi prikazuje "**Loc**".

Da biste poništili DJEČJU ZAŠTITU, 3 sekunde držite pritisnutu tipku **CHILD LOCK** dok ne začujete dugi zvučni signal.

ČIŠĆENJE I ODRŽAVANJE

- Prilikom čišćenja isključite pećnicu i iskopčajte kabel napajanja iz utičnice.
- Unutrašnjost pećnice održavajte čistom. Ostatke prskanja hrane ili tekućina sa stijenki unutrašnjosti pećnice obrišite vlažnom krpom. Ako je pećnica vrlo prljava, možete upotrijebiti blagi deterdžent. Izbjegavajte upotrebu sprejeva i drugih agresivnih sredstava za čišćenje. Ona mogu uzrokovati pojavu mrlja i gubitak sjaja na stijenkama pećnice.
- Vanjske dijelove pećnice čistite vlažnom krpom. Da biste spriječili kvar pećnice, ne dopustite da voda proдре kroz ventilacijske otvore.
- Vrata i prozorčić s objiju strana, brtve vrata i okolne dijelove često brišite vlažnom krpom kako biste uklonili ostatke prskanja i prolijevanja.
- Nemojte upotrebljavati abrazivna sredstva za čišćenje.
- Nemojte čistiti parom.
- Pazite da se upravljačka ploča ne smoči. Čistite je mekom i vlažnom krpom. Prilikom čišćenja upravljačke ploče ostavite vrata pećnice otvorena kako biste spriječili nehотиčno uključivanje pećnice.
- Ako se para nakupi u unutrašnjosti ili oko vrata pećnice, obrišite je mekom krpom. To se može dogoditi ako se mikrovalna pećnica upotrebljava u uvjetima visoke vlažnosti zraka. Ne radi se o kvaru.
- Okretni tanjur, nosač okretnog tanjura i spojnicu treba redovito čistiti kako bi se spriječilo nakupljanje nečistoća te moguće iskrenje/oštećenje.
- Mirise iz pećnice uklonite šalicom vode pomiješanom sa sokom i koricom jednog limuna koju ćete u posudi prikladnoj za mikrovalnu pećnicu zagrijavati mikrovalovima tijekom 5 minuta. Nakon toga dobro obrišite mekom krpom.
- Ako žarulja prestane raditi, obratite se servisu.
- Pećnicu treba redovito čistiti i uklanjati ostatke hrane. Neodržavanje pećnice čistom može uzrokovati propadanje površine, negativno utjecati na vijek trajanja uređaja te uzrokovati opasne situacije.
- Nemojte odlagati ovaj uređaj uz kućanski otpad. Za pravilno odlaganje obratite se lokalnim nadležnim tijelima.

PRIKLADNO POSUĐE ZA MIKROVALNU PEĆNICU

1. Idealan materijal posuđa za mikrovalnu pećnicu propušta mikrovalove kako bi se hrana mogla zagrijavati.
2. Mikrovalovi ne mogu proći kroz metal, stoga nemojte koristiti metalni pribor za jelo, posuđe s metalnim obrubom i sl.
3. Nemojte koristiti proizvode od recikliranog papira uz mikrovalove jer mogu sadržavati male metalne čestice koje mogu uzrokovati iskrenje i/ili požar.
4. Preporučujemo okruglo/ovalno posuđe umjesto pravokutnog jer je hrana u kutovima sklona pregrijavanju.
5. Da biste spriječili pregrijavanje izloženih dijelova hrane, možete upotrijebiti uske trake aluminijske folije. No pazite da ne upotrijebite previše folije i održavajte razmak od oko 2,5 cm između folije i stijenki unutrašnjosti pećnice.

Popis u nastavku sadrži opće smjernice za odabir odgovarajućeg posuđa.

Posuđe	Mikrovalovi Sigurnost	Pečenje	Komentar
Posuđe za zapecivanje	✓ / ✗	✗	Uvijek slijedite upute proizvođača. Nemojte prekoračiti navedena vremena zagrijavanja. Budite vrlo pažljivi jer se ovo posuđe vrlo zagrijava.
Porculan i keramika	✓ / ✗	✗	Porculan, grnčarija, glazirano zemljano posuđe i koštani porculan obično su prikladni ako nemaju metalne ukrase.
Vatrostalno staklo	✓	✓	Provjerite je li stakleno posuđe prikladno za upotrebu u mikrovalnim pećnicama.
Staklo koje nije vatrostalno	✗	✗	
Vatrostalna keramika	✓	✓	Keramički materijal ne smije biti predebeo ni bogat mineralima.
Plastične posuđe za mikrovalne pećnice	✓	✗	Uvijek provjerite je li plastično posuđe prikladno za upotrebu u mikrovalnoj pećnici.
Kuhinjski papir	✓ / ✗	✗	Upotrijebite samo kuhinjski papir prikladan za upotrebu u mikrovalnim pećnicama.
Stakleno posuđe, npr. Pyrex®	✓ / ✗	✓	Budite oprezni ako rabite fino stakleno posuđe jer može napuknuti prilikom naglog zagrijavanja.
Metalni pladanj	✗	✓	Ne preporučuje se uporaba metalnog posuđa jer ono uzrokuje iskrenje uslijed kojeg može nastati požar.
Metalna rešetka	✗	✓	Ne preporučuje se uporaba metalnog posuđa jer ono uzrokuje iskrenje uslijed kojeg može nastati požar.
Aluminijska folija Folijski spremnici	✓ / ✗	✓	Za sprječavanje pregrijavanja hrane možete upotrijebiti male komadiće aluminijske folije. Folja treba biti najmanje 2,54 cm od stijenki unutrašnjosti kako ne bi došlo do iskrenja. Folijski spremnici nisu preporučljivi, osim ako tako navodi proizvođač, npr. Microfoil®. Pažljivo slijedite upute.
Najlonska folija	✓	✗	Ne smije dodirivati hranu i treba je probušiti kako bi para mogla izlaziti.
Plastični i stiroporni spremnici (npr. za brzu hranu)	✓	✗	Budite oprezni jer se neki spremnici mogu izobličiti, rastopiti ili promijeniti boju pri visokim temperaturama.
Vrećice za zamrzavanje/pečenje	✓	✗	Treba ih probušiti kako bi para mogla izlaziti. Provjerite jesu li vrećice prikladne za upotrebu u mikrovalnoj pećnici.
Papirnati tanjuri, čaše i kuhinjski papir	✓	✗	Nemojte rabiti plastične ili metalne veze jer se mogu rastopiti ili uzrokovati požar zbog iskrenja metala.
Slamnati i drveni spremnici	✓	✗	Rabite samo za zagrijavanje ili upijanje vlage. Budite oprezni jer pregrijavanje može uzrokovati požar.
Reciklirani papir i novine	✗	✗	Budite pokraj pećnice kad rabite ove materijale jer pregrijavanje može uzrokovati požar. Mogu sadržavati tragove metala koji mogu uzrokovati iskrenje i požar.



UPOZORENJE: Prilikom zagrijavanja hrane u plastičnim ili papirnatim spremnicima pazite na pećnicu zbog mogućnosti zapaljenja.

NAPOMENA: pećnicu ne ostavljajte bez nadzora dok je u upotrebi.

SAVJETI VEZANI UZ KUHANJE U MIKROVALNOJ PEĆNICI

Mikrovalovi kuhaju brže od uobičajenih načina kuhanja. Stoga je važno primijeniti neka pravila kako bi se postili dobri rezultati. Mnoge od sljedećih tehnika slične su onima koje već primjenjujete tijekom uobičajenog kuhanja.



UPOZORENJE: tekućine i druga hrana ne smiju se zagrijavati u potpuno zatvorenim spremnicima/staklenkama jer mogu eksplodirati.

NAPOMENE VEZANE UZ SAVJET ZA KUHANJE:

- Uvijek budite prisutni dok pećnica radi.
- Provjerite je li pribor prikladan za uporabu u mikrovalnoj pećnici.
- Koristite samo kockice za mikrovalnu pećnicu i pridržavajte se preporučenih količina i uputa proizvođača. Nikada nemojte koristiti ulje osim ako je tako preporučio proizvođač i nikada ne kuhajte duže nego što je preporučeno.



UPOZORENJE: ako prekoračite preporučeno vrijeme kuhanja i koristite previsoku razinu snage, hrana bi se mogla pregrijati, izgorjeti, a u ekstremnim uvjetima čak i zapaliti te oštetiti pećnicu.

Slaganje hrane

Najdeblje dijelove hrane, kao što je pileći batak, postavite uz vanjsku stijenku posude.

Hrana koja se stavlja prema vanjskoj strani posude dobit će više energije, što znači da se iskuhati brže nego hrana u sredini.

Pokrivanje hrane

Neke vrste hrane najbolje je prekriti tijekom kuhanja mikrovalovima.

Prekrijte hranu folijom s otvorima za prozračivanje, predviđenom za mikrovalnu pećnicu ili odgovarajućim poklopcem.

Probadanje hrane

Hranu s ljuskom, kožom ili membranom potrebno je probosti na nekoliko mjesta prije samog kuhanja. U suprotnom se može nakupiti para, a hrana može eksplodirati (krumpir, riba, piletina, kobasice).

NAPOMENA: poširana, pečena i kuhana jaja ne smiju se zagrijavati mikrovalovima jer mogu eksplodirati, čak i nakon dovršetka pripreme.

Miješanje, okretanje i preslagivanje hrane

Za ujednačeno kuhanje hranu je potrebno promiješati, okretati i preslagivati tijekom kuhanja. Uvijek miješajte i preslagivajte hranu od vanjske strane prema sredini.

Ostavljanje hrane da odstoji

Nakon kuhanja hrana treba odstajati kako bi se toplina ravnomjerno proširila po svim dijelovima.

Svojstva hrane	
Sastav	Za hranu s visokim udjelom masnoće ili šećera (npr. božićni kuglof, mini pite s mljevenim mesom) nije potrebno dugo vrijeme grijanja. Pazite da ne dođe do pregrijavanja, što bi moglo dovesti do požara. Kosti u hrani provode toplinu, što znači da se hrana brže iskuha. Vodite računa o tome da se hrana kuha ujednačeno.
Gustoća	Gustoća hrane utječe na duljinu vremena potrebnog vremena kuhanja. Lagana, porozna hrana kao što su kolači ili kruh brže se pripravljavaju nego teška, gusta hrana kao što je pečenje i složenici.
Količina	Broj mikrovalova u vašoj pećnici konstantan je bez obzira na količinu hrane koju spravljate. Vrijeme kuhanja povećajte kada povećate i količinu hrane koju stavljate u pećnicu, npr. četiri krumpira kuhat će se dulje nego dva.
Veličina	Manja količina hrane i manji komadi hrane iskuhat će se brže nego veći budući da mikrovalovi ulaze u hranu sa svih strana prema sredini. Ako želite jednakomjerno kuhanje, pazite da svi komadi budu jednake veličine.
Oblik	Hrana nepravilnog oblika, npr. pileća prsa ili batak, zahtjeva dulje kuhanje zbog debljih dijelova. Za jednakomjerno kuhanje deblje dijelove postavite prema vanjskoj strani posude gdje će ti dijelovi primiti više energije. Hrana okruglog oblika iskuhat će se jednakomjernije nego hrana četvrtastog oblika.
Temperatura hrane	Početna temperatura hrane utječe na duljinu potrebnog vremena kuhanja. Ohlađena hrana dulje će se kuhati nego hrana na sobnoj temperaturi, Temperatura spremnika nije pravi pokazatelj temperature hrane ili pića. Izrežite hranu s punjenjima, npr. krafne sa džemom, kako bi se oslobodila toplina ili para.



UPOZORENJE: Lice i ruke: uvijek koristite rukavice kada vadite hranu ili posuđe iz pećnice. Odmaknite se od pećnice kada ju otvarate kako bi iz nje prvo izašla toplina ili para. Kada uklanjate pokrove (npr. foliju), otvarate vrećice za pečenje ili paketiće s kolicama, pazite da vam u lice i ruke ne dospije para.



UPOZORENJE: Provjerite temperaturu hrane i pića i promiješajte prije posluživanja. Posebno obratite pažnju kada takvu hranu poslužujete bebama, djeci ili starijima. Sadržaj bočica za hranjenje i staklenki s dječjom hranom potrebno je promiješati ili protresti te prije konzumacije provjeriti temperaturu kako biste izbjegli opekline.

SAVJETI VEZANI UZ ODMRZAVANJE

Upotreba mikrovalova najbrži je način odmrzavanja. Taj postupak vrlo je jednostavan, no važno je pridržavati se uputa kako bi se hrana potpuno odmrznula.

- Prije odmrzavanja odstranite svu ambalažu i materijal za pakiranje.
- Za odmrzavanje hrane upotrijebite snagu mikrovalova do P-20 do P-40.
- Pregledajte dodatne informacije u nastavku.

Preslagivanje hrane

Hrana koja se postavi prema vanjskoj strani posude odmrznut će se brže od hrane na sredini. Stoga je vrlo važno da se hrana premješta 4 puta tijekom odmrzavanja.

Premjestite dijelove hrane koji su na vanjskoj strani prema sredini i obratno.

Na taj način jednakomjerno će se odmrznuti svi dijelovi hrane.

Odvajanje hrane

Kada se izvadi iz zamrzivača, hrana se često drži zajedno. Vrlo je važno da odvojite dijelove hrane što je prije moguće tijekom odmrzavanja,

npr. tanko narezana slanina, fileti piletine.

Pokrivanje hrane

Neki dijelovi hrane mogu tijekom zamrzavanja postati topli. Kako ne bi došlo do zagrijavanja ili kuhanja, takve dijelove (npr. pileće batak i krilca) prekrijte malim komadima folije koja reflektira mikrovalove.

Ostavljanje hrane da odstoji

Važno je da hranu neko vrijeme ostavite da stoji kako bi se skroz odmrznula.

Odmrzavanje nije dovršeno kada se hrana izvadi iz mikrovalne pećnice. Hranu ostavite da odstoji, pokrivena, dok se središnji dio hrane potpuno ne odmrzne.

Okretanje na drugu stranu

Svu hranu vrlo je važno preokrenuti do 4 puta tijekom odmrzavanja.

To je važno kako bi se hrana potpuno odmrzla.

SAVJETI VEZANI UZ PODGRIJAVANJE

Za podgrijavanje hrane pridržavajte se savjeta i uputa u nastavku kako bi se hrana u potpunosti zagrijala prije posluživanja.

Jela na tanjuru

Izvadite mesne porcije i njih zagrijajte odvojeno. Gledaj upute u nastavku.

Manje komade hrane stavite na sredinu tanjura, a veće i deblje komade hrane stavite na rub tanjura. Prekrijte hranu folijom s otvorima i zagrijavajte na snazi P-50. Kada prođe pola predviđenog vremena, hranu promiješajte ili presložite.

NAPOMENA: prije posluživanja provjerite je li hrana potpuno zagrijana.

Narezano meso

Meso prekrijte folijom s otvorima i zagrijavajte na snazi P-60. Presložite barem jedanput kako bi se svi komadi mesa ravnomjerno zagrijali.

NAPOMENA: prije posluživanja provjerite je li meso potpuno zagrijano.

Porcije peradi

Deblje komade mesa stavite uza stijenku posude, prekrijte folijom s otvorima i zagrijavajte na postavci P-70.

Preokrenite kada prođe pola vremena potrebnog za zagrijavanje.

NAPOMENA: prije posluživanja provjerite je li meso potpuno zagrijano.

Složenci

Prekrijte folijom s otvorima ili odgovarajućim poklopcem i zagrijavajte na postavci P-50.

Često promiješajte kako bi se cijeli složenac ravnomjerno zagrijao.

NAPOMENA: prije posluživanja provjerite je li hrana potpuno zagrijana.

Da biste postigli što bolje rezultate kod zagrijavanja, odaberite razinu snage koja odgovara vrsti hrane, npr. posuda povrća može se zagrijati na postavci P-100, dok se lasanje, koje sadrže sastojke koji se ne mogu promiješati, mogu zagrijati na postavci P-40.

NAPOMENE:

- Prije zagrijavanja hranu izvadite iz metalnih spremnika ili folije.
- Na duljinu zagrijavanja utječe oblik, dubina, količina i temperatura hrane, kao i veličina, oblik i materijal spremnika.



UPOZORENJE: tekućine nemojte zagrijavati u spremnicima s uskim grlom jer bi se sadržaj mogao prelići iz spremnika i uzrokovati opekotine.

- Da biste izbjegli pregrijavanje i požar, budite posebno oprezni prilikom zagrijavanja hrane s visokim udjelom šećera ili masnoće, npr. mini pita ili kolača kao što je božićni kuglof.
- Nikada ne zagrijavajte ulje ili mast za duboko prženje jer može doći do pregrijavanja i požara.
- Krumpir u limenci ne smije se zagrijavati u mikrovalnoj pećnici. Pridržavajte se uputa proizvođača navedenih na limenci.



UPOZORENJE: sadržaj bočica za hranjenje i staklenki s dječjom hranom potrebno je promiješati ili protresti te prije konzumacije provjeriti temperaturu kako biste izbjegli opekline.

OTKLANJANJE POTEŠKOĆA

Ako mislite da pećnica ne radi ispravno, prije kontaktiranja servisne službe napravite nekoliko jednostavnih provjera. Na taj način nećete uzalud zvati servisnu službu ako je kvar sasvim jednostavan.

U nastavku se nalazi popis jednostavnih provjera:

Stavite pola šalice vode na okretni tanjur i zatvorite vrata. Postavite štopericu na 1 minutu uz snagu mikrovalova P-100.

1. Upali li se lampa pećnice tijekom kuhanja?
2. Radi li ventilator za hlađenje? (Provjerite tako da ruku stavite iznad otvora ventilacijskih otvora.)
3. Uključuje li se zvučni signal nakon 1 minute?
4. Je li voda u šalici vruća?

Ako je odgovor na bilo koje pitanje "NE", prvo provjerite je li utikač pravilno umetnut u utičnicu i nije li iskočio osigurač. Ako je oboje u redu, provjerite ostale stavke prema tablici za otklanjanje poteškoća u nastavku.



UPOZORENJE: pećnicu nemojte nikad podešavati, popravljati ni modificirati sami. Takve zahvate, servisiranja i popravke smije obavljati samo ovlašteni i predstavnik tvrtke SHARP. To je vrlo važno jer takvi radovi obuhvaćaju i uklanjanje pokrova koji štite od energije mikrovalova.

- Brtva na vratima sprječava propuštanje mikrovalova tijekom rada pećnice, no nije zračno nepropusna. Oko vrata pećnice se obično vide kapljice vode, svjetlo ili se osjeća topao zrak. Hrana s visokom razinom vlage ispuštat će pare i uzrokovati kondenzaciju unutar pećnice koja može kapati iz vrata.
- Popravci i modifikacije: ne upotrebljavajte pećnicu ako ne radi ispravno.
- Vanjsko kućište i pristup žarulji: nemojte otvarati vanjsko kućište. To je vrlo opasno zbog visokonaponskih dijelova u unutrašnjosti koji se ne smiju dodirivati jer to može biti opasno po život. Pećnica nije opremljena otvorom za pristup žarulji. Ako se žarulja pokvari, ne pokušavajte je mijenjati sami, nego se obratite ovlaštenom SHARP servisu.

TABLICA ZA RJEŠAVANJE PROBLEMA

PROBLEM	RJEŠENJE
Oko vrata osjeća se propuh.	Kada pećnica radi, unutar unutarnjeg prostora cirkulira zrak. Vrata nisu zračno nepropusna tako da iz vrata može izlaziti zrak.
U pećnici se stvara kondenzacija tako da iz vrata može kapati voda.	Unutarnji prostor pećnice obično će biti hladniji od hrane koja se kuha tako da će se para koja se stvara tijekom kuhanja kondenzirati na hladnijim površinama. Količina pare ovisi o količini vode u hrani koja se priprema. Neka jela, kao što je krumpir, sadrže visoku količinu vlage. Kondenzacija na staklenim vratima nestat će nakon nekoliko sati.
Bljeskanje ili iskrene u unutarnjem prostoru pećnice tijekom kuhanja.	Do iskrenja dolazi kada se metalni predmet približi unutarnjem prostoru pećnice tijekom kuhanja. Tako će unutarnja površina pećnica postati hrapava, no neće oštetiti pećnicu.
Iskrene kod krumpira.	Iz krumpira izvadite sve izdanke i probušite ih, a zatim ih stavite na okretni tanjur u vatrostalnoj posudi ili sl.
Prilikom upotrebe pekača bez mikrovalova možda ćete primijetiti da grijač nije uključen cijelo vrijeme.	To je zbog toga što se grijač uključuje i isključuje radi održavanja temperature pećnice na podešenoj razini.
Prilikom upotrebe pekača u kombiniranom načinu čini se da nije uključen.	Tijekom kombinirane upotrebe (mikrovalovi i pekač) pećnica se prebacuje između dviju funkcija. Mikrovalovi i pekač ne uključuju se istovremeno.
Pećnica ne radi kad pritisnete tipku START/QUICK START.	Provjerite jeste li dobro zatvorili vrata.
Pećnica kuha presporo.	Provjerite jeste li odabrali odgovarajuću razinu snage.
Iz pećnice se čuje buka.	Prilikom uključivanja i isključivanja mikrovalova može se čuti zujanje. To je normalno.
Nakon pripreme hrane pećnica proizvodi zvuk ili se čini da i dalje radi.	Po isteku ciklusa pripreme hrane ventilator može ostati još nekoliko minuta uključen kako bi ohladio pećnicu. To je normalno.
Vanjsko kućište je vruće.	Vanjsko kućište postane prevruće za dodir - držite djecu što dalje od pećnice.
Na zaslonu se prikazuje „LoC“ kada se pritisne gumb.	Nakon 30 sekundi pećnica se zaključava i ne radi nijedan gumb. Otvorite i zatvorite vrata pećnice kako bi tipke ponovo proradile. Također provjerite je li pećnica u zaključanom načinu rada.
Na zaslonu se prikazuje „Fail“ i čuje se zvučni signal pećnice svaku minutu.	To se događa ako se gumbi na upravljačkoj ploči pećnice pritišću dulje od 1 minute. Iskopčajte pećnicu iz napajanja na nekoliko minuta, a zatim je ponovo priključite.
Pećnica se oglašava zvučnim signalom svakih 30 sekundi.	Ako se po dovršetku pripreme hrane ne otvore vrata, zvučni signal čuje se svakih 30 sekundi. Da biste to prekinuli, otvorite i zatvorite vrata.

PRIJE NEGO ŠTO ZATRAŽITE POMOĆ

Prije nego što se obratite servisu, provjerite sljedeće:

- Provjerite je li pećnica dobro priključena u utičnicu. Ako nije, iskopčajte utikač, pričekajte 10 sekundi i ponovo ga ukopčajte.
- Provjerite je li pregorio osigurač ili je kratkospojnik isključio strujni krug. Ako nije, isprobajte utičnicu na drugom uređaju.
- Provjerite jesu li gumbi za podešavanje snage i mjerača vremena pravilno postavljeni.
- Provjerite jesu li vrata dobro zatvorena te jesu li zahvatila sustav sigurnosnog zaključavanja. U suprotnom neće biti moguć protok energije mikrovalova u pećnici.

AKO NIŠTA OD NAVEDENOG NE OTKLONI VAŠ PROBLEM, OBRATITE SE STRUČNJAKU. PEĆNICU NE POKUŠAVAJTE PODEŠAVATI ILI POPRAVLJATI SAMI.



Figyelem:

A terméket ezzel a jelöléssel látták el. Ez azt jelenti, hogy a használt elektromos és elektronikus termékeket nem szabad az általános háztartási hulladékkal kezelni. Ezekhez a termékekhez külön hulladékgyűjtő rendszer üzemel.



www.sharpconsumer.com/contact/



www.sharpconsumer.com/support/



www.sharpconsumer.com/documents-of-conformity/

A. Hulladék-elhelyezési tájékoztató lakossági felhasználók részére (magán háztartások)

1. Az Európai Unióban

Figyelem: Ha a készüléket ki akarja selejtezni, kérjük, ne a közönséges szemeteskukába helyezze!

A használt elektromos és elektronikus berendezéseket külön, a használt elektromos és elektronikus berendezések szabályszerű kezeléséről, visszanyeréséről és újrahasznosításáról rendelkező jogszabályokkal összhangban kell kezelni.

A tagállamok általi végrehajtást követően az EU államokon belül a magán háztartások használt elektromos és elektronikai berendezéseiket díjmentesen juttathatják vissza a kijelölt gyűjtőlétesítményekbe*.

Egyes országokban* a helyi kiskereskedés is díjmentesen visszaveheti Öntől a régi terméket, ha hasonló új terméket vásárol.

*) A további részletekről, kérjük, érdeklődjön a helyi önkormányzatnál.

Ha használt elektromos vagy elektronikus berendezésében elemek vagy akkumulátorok vannak, kérjük, előzetesen ezeket selejtezze ki a helyi előírásoknak megfelelően. A termék szabályszerű kiselejtezésével Ön segít biztosítani azt, hogy a hulladék keresztülmenjen a szükséges kezelésen, visszanyerési és újrahasznosítási eljáráson. Ezáltal közreműködik a lehetséges káros környezeti és humán egészségügyi hatások megelőzésében, amelyek ellenkező esetben a helytelen hulladékkezelés következtében előállhatnának.

2. Az EU-n kívüli egyéb országokban

Ha a terméket ki szeretné selejtezni, kérjük, forduljon a helyi önkormányzathoz, és érdeklődjön a helyes hulladék-elhelyezési módszerről. Svájcban: A használt elektromos vagy elektronikus készülékeket térítés nélkül visszaveszik a kereskedők, akkor is ha nem vásárol új terméket. További begyűjtő helyeket a következő honlapokon talál: www.swico.ch vagy www.sens.ch.

B. Hulladék-elhelyezési tájékoztató vállalati felhasználók részére

1. Az Európai Unióban

Ha a terméket üzleti célokra használta, és ki kívánja selejtezni:

Kérjük, forduljon a SHARP kereskedéshez, ahol tájékoztatják Önt a termék visszavételéről. Lehetséges, hogy a visszavételből és az újrahasznosításból eredő költségeket felszámítják. Előfordulhat, hogy a helyi hulladékbegyűjtő létesítmény átveszi a kisebb termékeket (és kis mennyiségeket).

Spanyolországban: Kérjük, használt készülékének visszaszolgáltatásával kapcsolatban vegye fel a kapcsolatot a kiépített begyűjtési hálózattal vagy helyi önkormányzatával.

2. Az EU-n kívüli egyéb országokban

Ha a terméket ki szeretné selejtezni, kérjük, forduljon a helyi önkormányzathoz, és érdeklődjön a helyes hulladék-elhelyezési módszerről.

BIZTONSÁGI ÓVINTÉZKEDÉSEK A MIKROHULLÁMÚ SUGÁRZÁS ELKERÜLÉSÉHEZ

1. Ne próbálja a sütőt nyitott ajtóval működtetni, mert ez káros mikrohullámú sugárzást okozhat. Fontos, hogy a biztonsági rezeszeket ne próbálja meg kiiktatni vagy elrontani.
2. Ne helyezzen semmit a sütő előlapja és az ajtó közé, és ne engedje, hogy étel vagy tisztítószer maradvány felhalmozódjon a tömítés felületén.
3. Ne használja a sütőt, ha sérült! Nagyon fontos, hogy a sütő ajtaja megfelelően záródjon, és ne legyen sérülés az ajtón, a zsanérokon, a rezeszekon vagy az ajtó tömítéseken és az egyéb tömítések felületén.
4. Ne próbálja megjavítani vagy rendbe hozni a sütőt.

TARTALOMJEGYZÉK

FONTOS BIZTONSÁGI ELŐÍRÁSOK.....	3
ÜZEMBE HELYEZÉS.....	11
RÁDIÓINTERFERENCIA.....	12
FÖLDELÉSI UTASÍTÁSOK.....	12
MŰSZAKI JELLEMZŐK.....	12
SÜTŐ ÉS TARTOZÉKOK.....	13
KEZELŐPANEL.....	14
A SÜTŐ HASZNÁLATA ELŐTT.....	15
AZ ÓRA BEÁLLÍTÁSA.....	15
FŐZÉS MIKROHULLÁMMAL.....	16
GYORS INDÍTÁS.....	17
GRILLEZÉS*.....	17
MIKROHULLÁM + GRILL*.....	18
AUTOMATA MENÜ.....	19
AUTOMATA KIOLVASZTÁS.....	22
AUTOMATIKUS ÚJRAMELEGÍTÉS*.....	22
KONYHAI IDŐZÍTŐ.....	23
ENERGIATAKARÉKOS FUNKCIÓ.....	23
NÉMÍTÁS FUNKCIÓ.....	24
BIZTONSÁGI ZÁR.....	24
GYERMEKZÁR.....	24
TISZTÍTÁS ÉS ÁPOLÁS.....	25
A SÜTŐBEN HASZNÁLHATÓ EDÉNYEK.....	26
TANÁCSOK MIKROHULLÁMMAL VALÓ FŐZÉSHEZ.....	27
TANÁCSOK KIOLVASZTÁSHOZ.....	29
TANÁCSOK ÚJRAMELEGÍTÉSHEZ.....	30
HIBAELHÁRÍTÁS.....	31
A SZERVIZ HÍVÁSA ELŐTT.....	33

* - Csak a grill funkcióval rendelkező modelleken.

FONTOS BIZTONSÁGI ELŐÍRÁSOK

OLVASSA EL ALAPOSAN ÉS TARTSA MEG KÉSŐBBI HASZNÁLATRA!

A tűzveszély elkerülése érdekében: A mikrohullámú sütőt működés közben ne hagyja őrizetlenül. Túlságosan magas teljesítményszint, illetve túlságosan hosszú főzési idő válasszása esetén az étel túlforrósodhat, és ez tüzet okozhat.

A sütőt nem konyhai egységbe történő beépítésre, hanem konyhapulton való elhelyezésre tervezték. Ne tegye a sütőt szekrénybe! A hálózati csatlakozóaljzat legyen könnyen hozzáférhető, hogy veszély esetén a készüléket könnyen ki lehessen húzni!

Az előírt hálózati feszültség 230-240 V, 50 Hz, legalább 10 amperes elosztó biztosítóval, vagy legalább 10 amperes elosztó áramköri megszakítóval. Külön áramkört kell biztosítani, ami csak ezt a készüléket szolgálja ki.

Ne helyezze a sütőt olyan helyre, ahol hő fejlődhet, például hagyományos sütő közelébe! Ne helyezze a sütőt olyan helyre, ahol magas a páratartalom, vagy ahol nedvesség gyűlhet össze! Ne tárolja vagy használja a sütőt a szabadban!

Ha füstöt észlel, kapcsolja ki a készüléket vagy húzza ki a csatlakozót a konnektorból és tartsa zárva az ajtót, hogy elaludjon az esetlegesen keletkező láng.

Csak mikrohullámú sütőben használható edényeket és eszközöket használjon! Ellenőrizze a konyhai edényeket, hogy használhatók-e mikrohullámú sütőben! Ha műanyagból vagy papírból készült edényt használ, ne hagyja a sütőt őrizetlenül, mert az edények meggyulladhatnak.

Használat után tisztítsa meg a hullámvezető fedőlemezt és a sütőteret! Ezeknek a részeknek száraznak és zsírmen-

tesnek kell lenniük. A felgyülemlett zsír túlforrósodhat, füstölhet és lángra kaphat.

Tartsa távol a gyúlékony anyagokat a sütőtől és a szellőzőnyílásoktól. Ne takarja le a szellőzőnyílásokat!

Távolítsa el az összes fém zárófoliát, drótot stb. az ételről és az étel csomagolásáról. A fémes felületeken képződő szikra tüzet okozhat.

Ne használja a mikrohullámú sütőt olaj melegítésére, illetve olajjal történő sütésre. A hőmérsékletet nem lehet szabályozni, és az olaj lángra lobbanhat.

Pattogatott kukorica készítéséhez kizárólag mikrohullámú sütőhöz való pattogatott kukorica készítő edényt használjon.

Ne tároljon ételt vagy bármi mást a sütő belsejében.

A sütő beindítása után ellenőrizze annak beállításait. Így megbizonyosodhat arról, hogy a sütő a kívánt módon működik-e.

Működés közben ne hagyja felügyelet nélkül a sütőt.

Fokozatos elővigyázatosságra van szükség a magas cukor- vagy zsírtartalmú ételek (például kolbász, sütemények, karácsonyi puding) készítése vagy melegítése esetén, a túlmelegedés és tűz keletkezésének elkerülése érdekében. További tanácsokat a használati útmutatóban talál.

Sérülés kockázatának elkerülése. FIGYELMEZTETÉS:

Ne használja a sütőt, ha sérült, vagy ha hibásan működik. Használat előtt ellenőrizze az alábbiakat:

- a) Ellenőrizze, hogy az ajtó megfelelően záródik-e, hogy egyenesen áll-e, és hogy nincs-e meggörbülve.
- b) Ellenőrizze, hogy a zsanérok és az ajtó biztonsági reteszei nincsenek-e eltörve vagy meglazulva.
- c) Győződjön meg róla, hogy az ajtó tömítések és felfekvő felületeik nincsenek megsérülve.

- d) Ellenőrizze, hogy a sütőtérben, illetve az ajtón nincsenek-e horpadások.
- e) Győződjön meg róla, hogy a hálózati kábel és a csatlakozódugasz nincs megsérülve.

Ha az ajtó vagy annak tömítése megsérült, ne működtesse a sütőt mindaddig, amíg szakember el nem végzi ezek javítását!

Tilos a sütőt a felhasználónak magának módosítania, illetve javítania! Szakemberen kívül bárki más számára veszélyes bármely olyan szervizelést, vagy javítást eszközölni, amely a mikrohullámú sugárzás ellen védő fedél levételével jár!

Ne működtesse a sütőt nyitott ajtóval, és ne végezzen semmilyen átalakítást az ajtó biztonsági reteszein. Ne működtesse a sütőt, ha az ajtótömítések és felfekvő felületeik közé bármilyen tárgy került.

Ne hagyja, hogy zsír vagy szennyeződés gyűljön fel az ajtótömítéseken és a kapcsolódó alkatrészekben. Tisztítsa meg a sütőt rendszeres időközönként és távolítsa el minden ételmaradékot.

Tartsa be az "Ápolás és tisztítás" rész utasításait. Ügyeljen a sütő tisztán tartására! Ellenkező esetben a sütő felülete könnyen megrongálódhat, ami lerövidítheti a készülék élettartamát, és balesetet okozhat.

Szívritmusszabályzóval élő személyek kérjék ki orvosuk vagy a készülék gyártójának tanácsát a mikrohullámú sütővel kapcsolatos óvintézkedésekről.

Áramütés kockázatának kiküszöbölése

- Tilos a készülék külső burkolatát bármilyen okból kifolyólag eltávolítani.
- Ne öntsön semmit, illetve ne helyezzen semmilyen tárgyat az ajtózár nyílásába és a szellőzőnyílásokba. Ha mégis folya-

dék jutna az említett helyekre, azonnal kapcsolja ki és húzza ki a sütőt, majd hívja a hivatalos SHARP szakszervizt.

- Ne merítse a hálózati kábelt és a dugaszt vízbe vagy más folyadékba.
- Kerülje el, hogy a hálózati kábel az asztal vagy a konyhapult széléről lelógjon.
- Tartsa távol a hálózati kábelt forró felületektől, pl. a sütő hátlapjától.
- A készüléket és tápkábelét úgy helyezze el, hogy 8 évesnél fiatalabb gyerekek ne érhessék el.
- Ne kísérelje meg a sütőtér világítását saját maga kicserélni. Ehhez hívjon a SHARP által felhatalmazott villanyszerelőt. Ha a sütőtér világítása elromlik, értesítse a forgalmazót vagy a hivatalos SHARP márkaszervizt.
- Ha a tápkábel megsérült, azt a SHARP hivatalos szervizének kell kicserélnie.

FIGYELMEZTETÉS: A robbanásszerű szétduzzadás miatt tilos folyadékot, illetve bármilyen ételt zárt dobozban melegíteni. A mikrohullámú sütőben melegített italok késleltetve és hirtelen forni kezhetnek, ezért óvatosan nyúljon hozzá azok tárolóedényéhez. A robbanás és a hirtelen felforrósodás lehetőségének elkerülése érdekében:

Soha ne használjon lezárt edényeket. Használat előtt távolítsa el a plombákat és a fedeleket. A lezárt edények a sütő kikapcsolása után is felrobbanhatnak a felgyülemlett nyomás miatt. Legyen óvatos folyadékok melegítése során. Használjon széles szájú edényt, hogy a buborékok távozni tudjanak.

Soha ne melegítsen folyadékot szűk nyakú edényben, pl. cumisüvegben, mivel a felforrósított edény tartalma szétrobbanhat, és ez égési sérüléseket okozhat.

A forrásban lévő folyadék hirtelen felforrásának, illetve az esetleges leforrázás kockázatának elkerülése érdekében:

1. Ne állítson be túlságosan hosszú melegítési időt!
2. Melegítés és újramelegítés előtt keverje meg a folyadékot.
3. A melegítés ideje alatt célszerű üvegrudat vagy más hasonló (nem fém) eszközt helyezni a folyadékba.
4. A sütési idő lejártával hagyja a folyadékot mintegy 20 másodpercig a mikrohullámú sütőben. Így elkerülheti az esetleges túlmelegítésből fakadó késleltetett, robbanásszerű felforrást.

Tojást soha ne főzzön héjában, és sose melegítsen egész főtt tojást a mikrohullámú sütőben, mivel az akár a melegítést követően is robbanásszerűen szétdurranhat. Ha fel nem vert tojást főz vagy melegít, akkor a tojás szétdurranásának megelőzése érdekében szűrje át a sárgáját és a fehérjét. Ha főtt tojást melegít fel mikrohullámú sütőben, akkor előbb hámozza meg és szeletelje fel.

Burgonya, kolbász, gyümölcs és hasonló ételek héját mindig szűrje át főzés előtt, különben szétdurranhatnak.

FIGYELMEZTETÉS: Az égési sérülések elkerülése érdekében a cumisüvegek és bébiételes üvegek tartalmát mindig keverje meg vagy rázza fel, és fogyasztás előtt ellenőrizze hőmérsékletüket. Az égési sérülések elkerülése érdekében használjon edényfogót vagy konyhai kesztyűt, amikor az ételt kiveszi a sütőből. Az égési sérülések elkerülése érdekében:

- A robbanásszerű felforrás és a forró gőz okozta égési sérülések elkerülése érdekében a tárolóedényeket, a pattogatott kukorica készítő edényt, a főzőtasakokat, stb. mindig arcától és fedetlen kezétől távol nyissa fel. Az égési sérülések elkerülése érdekében tálalás előtt mindig keverje meg az ételt, és ellenőrizze hőmérsékletét. Különösen ügyeljen a csecsemőknek, gyermekeknek és időseknek adott ételek és italok hőmérsékletére. Az elérhető alkatrészek használat közben

felforrósodhatnak. Fiatal gyermekeket ne engedjen a sütő közelébe.

- Az edény hőmérséklete nem jelzi pontosan az étel vagy ital hőmérsékletét. Fogyasztás előtt mindig ellenőrizze az étel hőmérsékletét.
- A sütő ajtajának nyitásakor mindig álljon hátrébb, nehogy a kiáramló gőz és forró levegő sérülést okozzon.
- A gőz távozásának elősegítése, illetve az égési sérülések elkerülése érdekében a töltelékkel sült ételeket szeletelje fel.
- Ne engedjen gyerekeket az ajtó közelébe, nehogy megégesék magukat!

FIGYELMEZTETÉS: A 8 éves és annál idősebb gyermekek csak akkor használhatják felügyelet nélkül a sütőt, ha megfelelő utasításokat kaptak ahhoz, hogy a gyermek biztonságosan tudja használni a sütőt, és megérti a helytelen használat veszélyeit.

Ha a készüléket GRILL, VEGYES GRILL, LÉGKEVERÉSES, VEGYES LÉGKEVERÉSES és AUTOMATA MENÜ üzemmódban használják, gyerekek csak felnőtt felügyelete mellett használhatják a készüléket a keletkező hő miatt.

A készülék használatát nem ajánljuk a csökkent fizikai, érzékelési és szellemi képességekkel rendelkező személyeknek (ideértve a gyerekeket is), illetve a hasonló készülékek használatában teljességgel járatlan személyeknek - kivéve, ha a készülék fenti személyek általi használatát egy biztonságukért felelős személy felügyeli vagy irányítja.

Gyerekek felügyelet nélkül ne tartózkodjanak a készülék közelében, elkerülve így azt, hogy játszanak a készülékkel. A gyermekek által végzett takarítást felügyelni kell.

Az elektronikus érintőképernyővel ellátott modellek gyermekzár móddal rendelkeznek.

Tilos az ajtóra függeszkedni, és azon hintázn! Tilos a sütővel úgy játszani, mintha játékszer volna!

A gyermekeknek meg kell tanítani az összes fontos biztonsági előírást: az edényfogók használatát, az ételek fedelének óvatos levételét, valamint azt, hogy különleges figyelmet kell fordítani az olyan csomagolásokra (pl. önmelegedő anyagokra), amelyek az étel ropogósságát biztosítják, mivel ezek nagyon átforrósodhatnak.

További figyelmeztetések

Tilos a sütő bármilyen módon történő átalakítása.

Tilos a sütőt működés közben áthelyezni.

Ez a készülék háztartási használatra készült. A sütő kizárólag háztartási ételkészítésre szolgál, és kizárólag ételek, italok melegítésére, főzésére használható. Étél vagy ruházat szárítása, valamint melegítő párnák, papucsok, szivacsok, nedves ruhák és hasonló tárgyak melegítése sérülést, gyulladást vagy tüzet okozhat. Éttermi vagy laboratóriumi használatra nem alkalmas.

A sütő problémamentes használata és a sérülések elkerülése érdekében

Üres állapotban sose üzemeltesse a sütőt! Ha pirítóedényt vagy önmelegedő anyagú edényt használ, a sütő aljának hőfelszűltségből fakadó megrongálódásának kiküszöbölése végett mindig helyezzen az edény alá egy hőálló szigetelő anyagú tálat pl. porcelántányért! Az edényekhez járó leírásban szereplő előmelegítési időtartamot tilos túllépni!

Tilos a fémből készült edények és evőeszközök használata: ezek visszaverik a mikrohullámokat, és ezáltal elektromos szikra keletkezhet! Tilos konzervdobozt a sütőbe tenni!

A sütő forgótányérjának vagy aljának törésének megakadályozása érdekében:

a) A vízzel történő tisztítás előtt hagyja kihűlni.

-
- b)** Ne helyezzen forró ételeket vagy forró edényeket a sütő hideg forgótányójára/aljára!
- c)** Működés közben ne helyezzen semmit a sütő külső burkolatára.

MEGJEGYZÉS:

Ne használjon műanyag edényeket mikrohullámú sütéshez, ha a sütő még forró a kombinált üzemmód használatától (sütő modelltől függően), mert megolvadhatnak.

Ne használjon műanyag edényeket a fenti üzemmódoknál, kivéve ha az edény gyártója szerint megfelelőek.

Ha nem tudja biztosan, hogyan kell a sütőt üzembe helyezni, kérjen segítséget szakképzett villanyszerelőtől!

Sem a gyártó, sem a forgalmazó nem vállal felelősséget a sütő meghibásodása vagy személyi sérülés esetén, amennyiben nem tartja be az üzembe helyezési eljárás villamosságra vonatkozó pontos utasításait!

A sütő belső falain, az ajtótömítések és felfekvő felületeik körül előfordulhat pára- és vízcseppképződés. Ez normális jelenség, nem pedig a mikrohullámú sütő szivárgásának vagy meghibásodásának jele.

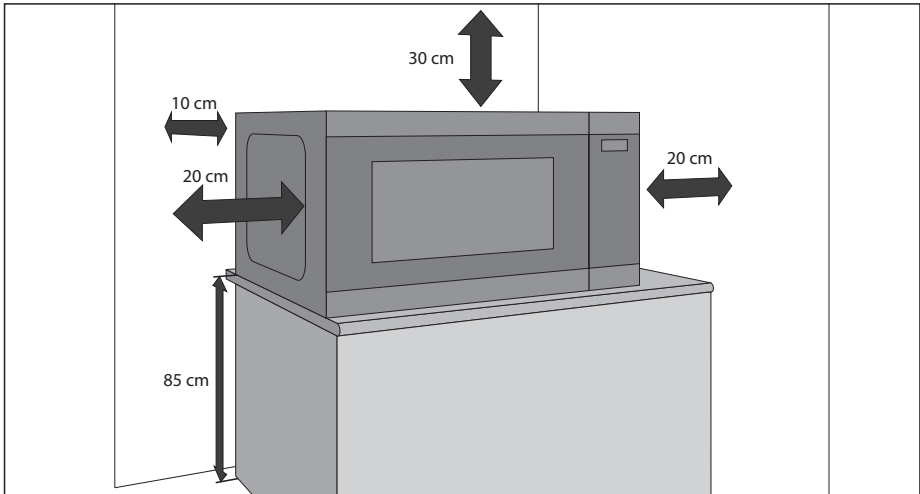
Ezt a készüléket háztartási és hasonló alkalmazási területeken való használatra tervezték, így például üzletek, irodák és más professzionális környezetek személyzeti teakonyha helyiségeiben / farmokon / vendégházakban / szállodák, motelek és más lakóhely jellegű környezetek ügyfelei által történő használatra.



A jelölés azt jelenti, hogy a felület felforrósodhat használat közben.

ÜZEMBE HELYEZÉS

1. Távolítson el minden csomagolóanyagot a sütőtér belsejéből, és távolítsa el a védőfilmet a mikrohullámú sütő házának felületéről.
2. Ellenőrizze alaposan, hogy van-e a sütőn valamilyen sérülés!
3. Helyezze a sütőt stabil, vízszintes felületre, amely elbírja a készüléket az abba helyezendő legnehezebb étellel együtt. Ne tegye a sütőt szekrénybe.
4. Válasszon egy olyan vízszintes felületet, amelynél elég hely van a szellőzőnyílások körül. Lásd az első oldalon található ábrát. A készülék hátsó felülete a falhoz illeszthető.
 - Minimális elhelyezési magasság: 85 cm.
 - Legalább 20 cm szabad helyet kell hagyni a sütő és a sütővel határos falak vagy tárgyak között.
 - A sütő felett hagyjon legalább 30 cm szabad helyet.
 - Ne távolítsa el a lábakat a sütő aljáról.
 - A ki- és beömlő szellőzőnyílások elzárása károsíthatja a sütőt.
 - Helyezze a sütőt a lehető legmesszebb rádió és TV-készülékektől. A mikrohullámú sütő működése interferenciát okozhat a rádió és TV vételben.



5. Dugja be ütközésig a sütő csatlakozóvilláját egy normál földelt háztartási hálózati csatlakozóaljzatba.

FIGYELMEZTETÉS:

Ne helyezze a sütőt olyan helyre, ahol hő, nedvesség vagy pára keletkezik (például hagyományos sütő közelébe), illetve gyúlékony anyagok közelébe (például függöny).

Ne takarja le vagy zárja el a szellőzőnyílásokat.

Ne tegyen tárgyakat a sütő tetejére.

Működés közben vagy közvetlenül utána ne érjen a sütő külsejéhez, mivel forró lehet.

RÁDIÓINTERFERENCIA

A mikrohullámú sütő működése megzavarhatja a rádiót, a tévét vagy hasonló berendezéseket. Interferencia esetén az alábbi lépésekkel csökkenthető vagy megszüntethető a probléma:

1. Tisztítsa meg az ajtót és a sütőteret ott, ahol találkoznak.
2. Fordítsa el a rádió vagy a televízió vevőantennáját.
3. Helyezze át a mikrohullámú sütőt a vevőegységhez képest.
4. Csatlakoztassa a mikrohullámú sütőt egy másik aljzathoz, hogy a mikrohullámú sütő és a vevő különböző áramkörökön legyen.

FÖLDELÉSI UTASÍTÁSOK

A készüléket földelni kell. A sütő földelő vezetékkel ellátott tápvezetékkel van felszerelve, földelő csatlakozóval. A készüléket megfelelően felszerelt és földelt fali csatlakozóaljzathoz kell csatlakoztatni. Elektromos rövidzárlat esetén a földelés csökkenti az áramütés veszélyét, mivel egy menekülő vezetékét biztosít az elektromos áram számára. Ajánlott egy külön áramkört biztosítani a készüléknek, amely csak a sütőt szolgálja ki.



FIGYELMEZTETÉS: A földelő csatlakozó helytelen használata áramütés veszélyét eredményezheti.

MEGJEGYZÉS:

1. Ha bármilyen kérdése van a földeléssel vagy a villamosságra vonatkozó utasításokkal kapcsolatban, forduljon szakképzett villanyszerelőhöz vagy szerviz munkatárhoz.
2. Sem a gyártó, sem a forgalmazó nem vállal felelősséget a sütő meghibásodása vagy személyi sérülés esetén, amennyiben nem tartja be az üzembe helyezési eljárás villamosságra vonatkozó utasításait!

A mikrohullámú sütőben használt hálózati vezeték a következő színekkel rendelkezik:

Zöld és sárga = FÖLD

Kék = NULLA

Barna = FÁZIS

MŰSZAKI JELLEMZŐK

Modell neve:	YC-PS204A	YC-PS234A	YC-PS254A	YC-PG204A	YC-PG234A	YC-PG254A	YC-PG284A	
Váltoáramú hálózati feszültség:	230~240 V, 50 Hz, egyfázisú							
Elosztó biztosíték/áramköri megszakító:	10 A							
Teljesítmény:	Mikrohullám	700 W	900 W	900 W	700 W	900 W	900 W	900 W
Grill:	Kikapcsolt mód:	<0,5W						
	Energiatakarékos mód	>0,5W						
	Szükséges váltoáramú teljesítmény	1200 W	1400 W	1400 W	1400 W	1400 W	1400 W	1400 W
	Mikrohullámú frekvencia	2450 MHz*						
Külső méretek (Szé) x (Ma) x (Mé) mm	455 x 274 x 334	483 x 281 x 377	483 x 281 x 403	455 x 274 x 345	483 x 281 x 395	483 x 281 x 403	539 x 309 x 441	
Sütőtér mérete (Szé) x (Ma) x (Mé)** mm	315 x 198 x 297	340 x 220 x 320	340 x 220 x 344	315 x 198 x 297	340 x 220 x 320	340 x 220 x 344	354 x 220 x 358	
A sütő űrtartalma:	20 liter**	23 liter**	25 liter**	20 liter**	25 liter**	25 liter**	28 liter**	
Forgótányér átmérője	245 mm	270 mm	270 mm	245 mm	270 mm	270 mm	325 mm	
Grillrács mérete (Szé) x (Mé) mm				190 x 79	80 x 208	80 x 208	89 x 285	
Tömeg	kb. 10,5 kg	kb. 12,9 kg	kb. 13,5 kg	kb. 10,9 kg	kb. 13,9 kg	kb. 13,7 kg	kb. 16,6 kg	
Sütő fényforrás (LED típusú)	1,5W							

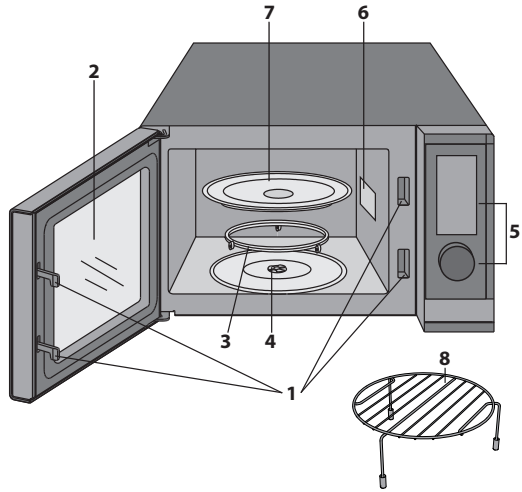
* - Ez a termék megfelel az EN55011 európai szabvány követelményeinek. E szabványnak megfelelően ez a termék 2. csoportba sorolt B osztályú berendezésnek minősül. A 2. csoport azt jelenti, hogy a berendezés szándékosan generál rádiófrekvenciás energiát elektromágneses sugárzás formájában élelmiszerek hőkezeléséhez. A B osztályú berendezés besorolás azt jelenti, hogy a készülék alkalmas háztartási használatra.

** - A sütő belső befogadóképességét a belső tér maximális szélességének, mélységének és magasságának figyelembevételével állapítottuk meg. A tényleges befogadóképesség ennél kevesebb.

FOLYAMATOS TERMÉKFEJLESZTÉSI POLITIKÁNK RÉSZÉKÉNT MENDENTARTJUK A MŰSZAKI ADATOK ÉS KIVITELEZÉS ELŐZETES BEJELENTÉS NÉLKÜLI MEGVÁLTOZTATÁSÁNAK JOGÁT.

SÜTŐ ÉS TARTOZÉKOK

1. Ajtó biztonsági zárendszere
2. Sütőtér ablaka
3. Gördülő tányértartó
4. Tányér forgatótengely
5. Tárcsa és vezérlőgombok
6. Hullámvezető fedőlemez (Ne távolítsa el)
7. Üvegtálca
8. Grillrács az YC-PG204A, YC-PG234A, YC-PG254A és az YC-PG284A modellekhez
9. Szellőzőnyílások
10. Külső borítás
11. Elektromos tápezeték



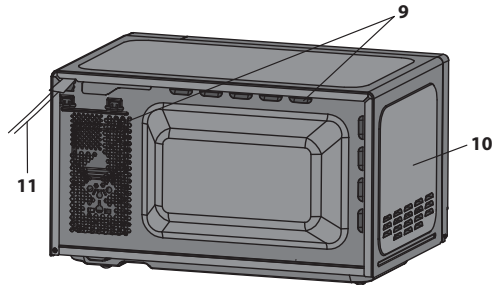
Ellenőrizze az alábbi kiegészítők meglétét:

Kizárólag a grill funkciós sütők esetében:

- **Grillrács** – akkor használja, ha csak a grill funkcióval főz.
- A grillrácsot kizárólag grillsütőkhöz tervezték. NE használja a rácsot a mikrohullámú funkció használatakor.
- A grillrács használatához olvassa el a jelen használati útmutató GRILL fejezetét.

Sohase érjen a grill fűtőszálhoz, amikor az meleg.


MEGJEGYZÉS: Kiegészítők megrendelése esetén kérjük, ne felejtse el megemlíteni az alkatrész nevét és a modellt megnevezését.



MEGJEGYZÉSEK:

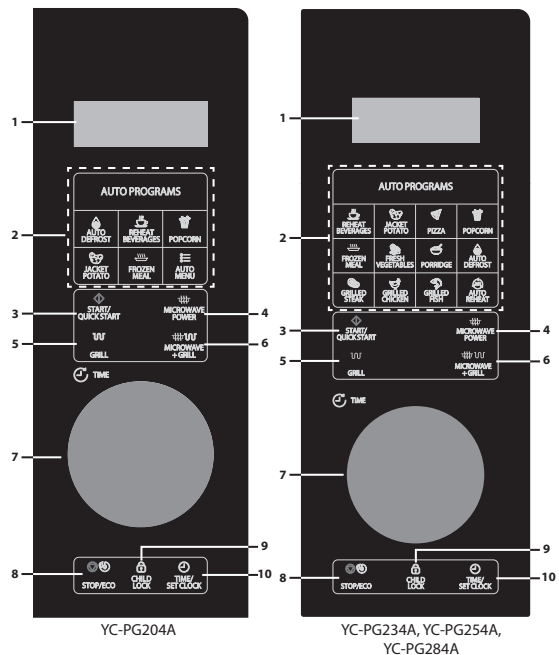
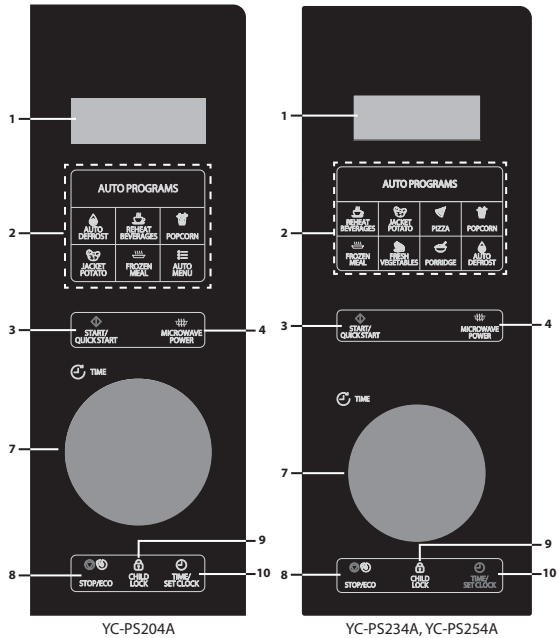
- Ha fedő nélkül főzött zsíros ételeket, mindig alaposan tisztítsa meg a sütőtérrel. Ezeknek a részegységeknek száraznak és zsírmentesnek kell lenniük. A felgyülemlett zsír túlforrósodhat, füstölhet és lángra kaphat.
- Mikrohullámú sütéskor az edényeket mindig a forgótányérra helyezze.
- NE használja a grillrácsot a csak mikrohullámú funkcióban.



FIGYELMEZTETÉS:  Ez a jelölés azt jelenti, hogy használat közben a felület felforrósodhat. Az ajtó, a külső borítás, a sütőtér, a tartozékok és az edények felforrósodnak a sütő használata során. Az égési sérülések elkerülése érdekében mindig használjon vastag konyhai kesztyűt.

KEZELŐPANEL

- DIGITÁLIS KIJELEZŐ** - A főzés időtartamát, a teljesítményt, jelzéseket és az órát jeleníti meg.
- AUTO MENU gombok** - Nyomja meg az automata főzés program kiválasztásához. (Lásd a 19 oldalt a használatl kapcsolatos tanácsokért).
- START/QUICK START (START/GYORS START)** – (17 oldal).
- MICROWAVE POWER (MIKROHULLÁM TELJESÍTMÉNY)** - Nyomja meg a mikrohullámú teljesítményszint kiválasztásához. (16 oldal).
- GRILL** - Nyomja meg a grillezés program beállításához. (17 oldal).
- MICROWAVE+GRILL (MIKROHULLÁM+GRILL)** - Nyomja meg a mikrohullám és a grill kombinált főzési programjának beállításához. (18 oldal).
- TÁRCSA** – Forgassa el az óramutató járásával megegyező vagy ellentétes irányba a különböző funkciók beállításához.
- STOP/ECO** - Nyomja meg egyszer a főzés ideiglenes leállításához, vagy kétszer a főzés teljes megszakításához. Használja az energiatakarékos mód beállításához. (23 oldal).
- CHILD LOCK (GYERMEKZÁR)** – (24. oldal).
- TIME/SET CLOCK (IDŐ/ÓRA BEÁLLÍTÁSA)** - Használja az óra beállításához. Használja az időzítő funkció beállításához. (15 oldal).



A SÜTŐ HASZNÁLATA ELŐTT

Amikor a sütőt először csatlakoztatják, hangjelzést ad, és a kijelzőn az "1:00" jelzés látható. Az órát nem kell beállítani ahhoz, hogy a sütő megfelelően működjön. Az óra beállításához kövesse a jelen használati útmutató "**Az óra beállítása**" című fejezetében található utasításokat.

Ha a grillt újként, legelőször használják, füst és szagok távozhatnak belőle. Annak érdekében, hogy ez ne ételek sütése közben történjen meg, használja a grill funkciót étel nélkül kb. 20 percre.

- Az ajtó kinyitása és becsukása után a sütő készenléti üzemmódba lép. Ha 1 percen belül nem nyomja meg valamelyik gombot, a kijelző bekapcsolva marad, és a gombok nem fognak működni. A készenléti üzemmóddhoz való visszatéréshez nyissa ki és zárja be az ajtót.
- Ha a főzés során egyszer megnyomja a **STOP/ECO** gombot, a főzési ciklus szünetelni fog. A főzés újraindításához nyomja meg a **START/GYORS START** gombot. Ha a **STOP/ECO** gombot kétszer nyomja meg, a főzés törlődik.
- Ha a sütőt egy adott funkcióra programozza be, és a gombok megnyomása között több mint 30 másodperc szünet van, a sütő visszatér a készenléti üzemmódba.
- Amikor egy főzési ciklus befejeződik, a kijelzőn az "**End**" (Vége) felirat jelenik meg, és kétpercenként egy hangjelzés hallható, amíg meg nem nyom egy gombot, vagy ki nem nyitja az ajtót.

AZ ÓRA BEÁLLÍTÁSA

Ez a sütő rendelkezik egy órával, ami 12 vagy 24 órás üzemmódban használható. Az óra beállításához kövesse az alábbi utasításokat:

1. Készenléti üzemmódban tartsa lenyomva az **IDŐ/ÓRA BEÁLLÍTÁSA** gombot legalább 3 másodpercig, hogy belépjen az óra beállítása üzemmódba.
 2. Nyomja meg az **IDŐ/ÓRA BEÁLLÍTÁSA** gombot a 12 vagy 24 órás óra üzemmód kiválasztásához.
 3. Forgassa a **TÁRCSÁ**-t az óra érték beállításához. Az elmentéshez nyomja meg az **IDŐ/ÓRA BEÁLLÍTÁSA** gombot.
 4. Forgassa a **TÁRCSÁ**-t a perc érték beállításához. Nyomja meg a **IDŐ/ÓRA BEÁLLÍTÁSA** gombot az óra beállítás elmentéséhez és a módból való kilépéshez.
- A sütő normál működéséhez nem szükséges az órát beállítani.
 - Főzési üzemmódban nyomja meg a **IDŐ/ÓRA BEÁLLÍTÁSA** gombot, hogy megjelenjen a napszak (ha be van állítva). A napszak öt másodperc múlva visszavált a főzési időtartam visszaszámolására. Vegye figyelembe, hogy a napszak nem tekinthető meg, ha a konyhai időzítő be van állítva.

FŐZÉS MIKROHULLÁMMAL

A mikrohullámú funkció használatához kövesse az alábbi utasításokat:

1. Készületi üzemmódban nyomja meg a **MIKROHULLÁMÚ TELJESÍTMÉNY** gombot a teljesítményszint kiválasztásához. Minden egyes alkalommal, amikor ezt a gombot megnyomja, a kijelzőn megjelenik a mikrohullámú sütő teljesítményszintje.
2. A kívánt mikrohullámú teljesítményszint kiválasztása után forgassa el a **TÁRCSÁT** a főzési időtartam kiválasztásához.
3. Nyomja meg a **START/GYORS START** gombot a főzés elindításához.
4. Amikor a főzési ciklus befejeződik, a kijelzőn az "End" (Vége) felirat jelenik meg, és kétpercenként egy hangjelzés hallható, amíg meg nem nyom egy gombot, vagy ki nem nyitja az ajtót.

Vegye figyelembe, hogy az alábbi táblázat tájékoztató jellegű. Az Ön sütője 10 mikrohullámú teljesítményszinttel rendelkezik. Ezek a következők: 10%, 20%, 30%, 40%, 50%, 60%, 70%, 80%, 90% és 100%. A tényleges teljesítményt úgy lehet kiszámítani, hogy a mikrohullámú teljesítményt megszorozza a százalékos értékkel.

Mikrohullámú főzési útmutató:

Kijelző	Mikrohullámú teljesítmény	Javasolt használat
P100	100 %	Gyors főzéshez vagy megmelegítéshez, pl. római tálban főzött ételekhez, forró italokhoz, zöldségekhez, stb. használható ez a beállítás.
P-80	80 %	Hagyományosan hosszú főzést igénylő, sűrű ételekhez, pl. marhahúsból készült ételekhez, használja. Ezt a teljesítményszintet választva biztos lehet benne, hogy a hús megpuhul.
P-60	60 %	Sűrű ételek, például pecsenyék, fasírtok és tálalt ételek hosszabb főzéséhez, valamint érzékenyebb ételekhez, például sajtmártáshoz és piskótákhoz használható.
P-40	40 %	Kiolvasztás: válassza ezt a beállítást fagyasztott ételek egyenes kiolvasztásához. Ez a megfelelő választás továbbá rizspároláshoz, tézsfőzéshez, illetve gombóc, vagy tojásos tejsodó készítéséhez.
P-20	20 %	Lassú kiolvasztáshoz, pl. krémes torták és sütemények esetében.

- Főzés közben a **MIKROHULLÁMÚ TELJESÍTMÉNY** gomb nyomva tartásával ellenőrizheti a főzési teljesítményszintet.
- A leghosszabb főzési idő 95 perc.

GYORS INDÍTÁS

Ha 100%-os teljesítményszinten kíván főzni, csak nyomja meg a **START/GYORS START** gombot a **TÁRCSÁN**, miközben készenléti üzemmódban van. A **START/GYORS START** gomb minden egyes megnyomásával 30 másodpercet adhat a főzési időtartamhoz.

GRILLEZÉS*

A sütőtér tetején található grill fűtőelemnek csak egy teljesítményfokozata van, hatékony és gazdaságos. A grill ideális szalonna, gammon steak, halrudacsok és teasütemények sütéséhez.

Használja a grillrácsot kisebb ételek, például szalonna és kolbászok grillezéséhez. A grillezés felénél fordítsa meg őket. Az ételek közvetlenül a rácsra helyezhetők, vagy egy sütőtálba, illetve hőálló tányérra helyezhetők. Annak érdekében, hogy a süttött ételről lecsöpögessen a zsír vagy olaj, helyezzen a grillrács alá egy megfelelő tálcát.

A tűzálló edényben lévő ételek pirításakor és ropogásra sütésekor a grillrács használható, ha az edény elég sekély.

Az ilyen edényeket azonban célszerű közvetlenül a forgótányérra helyezni, hogy a kívánt pirításhoz és ropogásra sütéshez egy kis plusz időt hagyjon. Grillezéshez a grillrács nem használható.

A grill funkció használatához kövesse az alábbi utasításokat:

1. Készenléti módban nyomja meg a **GRILL** gombot a grill funkció kiválasztásához. A kijelzőn a "**Grill**" felirat jelenik meg.
2. A **TÁRCSA** elforgatásával válassza ki a főzés időtartamát.
3. Nyomja meg a **START/GYORS START** gombot a főzés elindításához.
4. Amikor a főzési ciklus befejeződik, a kijelzőn az "**End**" (Vége) felirat jelenik meg, és kétpercenként egy hangjelzés hallható, amíg meg nem nyom egy gombot, vagy ki nem nyitja az ajtót.

* - Csak a grill funkcióval rendelkező modelleken.

MIKROHULLÁM + GRILL*

A mikrohullám és a grill funkció használatával gyorsan megpiríthatja és megsütheti az ételeket. A mikrohullám és a grill funkció használatához kövesse az alábbi utasításokat:

1. Készületi módban nyomja meg a **MICROWAVE + GRILL** gombot egyszer vagy kétszer a "Co-1" vagy a "Co-2" mód kiválasztásához.
2. Forgassa el a **TÁRCSÁT** a főzési idő beállításához.
3. Nyomja meg a **START/GYORS START** gombot az elindításhoz.
4. Amikor a főzési ciklus befejeződik, a kijelzőn az "**End**" (Vége) felirat jelenik meg, és kétpercenként egy hangjelzés hallható, amíg meg nem nyom egy gombot, vagy ki nem nyitja az ajtót.

Mikrohullám + grill funkció

Kijelző	Kimenet	Javasolt használat
Co-1	70% grill / 30% mikrohullám	Csirkehús szeletek, csirkemell, sertéshús szeletek
Co-2	56% grill / 44% mikrohullám	Egész csirke

- A maximális sütési idő a grillsütővel 95 perc.
- Grillezés közben ablaknyitással vagy a konyhai szellőztetés bekapcsolásával engedje ki a füstöt vagy a szagokat. Ez normális jelenség, nem a sütő hibája.
- Főzés közben a **MIKROHULLÁM + GRILL** gomb megnyomásával ellenőrizheti az aktuális kombinált főzési teljesítményt.
- A grill funkció használatakor a grill rendszeres időközönként be- és kikapcsol, hogy megakadályozza a túlmelegedést.
- A MIKROHULLÁM+GRILL funkció használatakor az ételeket megfelelő edényben közvetlenül a sütő forgótányérjára vagy a mellékelt grillrácsra helyezze.

FIGYELMEZTETÉS: Az ajtót, a külső borítást, a sütőtér, a tartozékok és az edények felforrósodnak sütő használatá során. Az égési sérülések megakadályozása érdekében mindig használjon vastag konyhai kesztyűt.

* - Csak a grill funkcióval rendelkező modelleken.

AUTOMATA MENÜ

A nagyobb kényelem érdekében az automatikus programok lehetővé teszik az ételek gyors és hatékony elkészítését néhány gombnyomással. Nem szükséges az időtartamot és a főzési teljesítményt beprogramozni, csak meg kell nyomni a kívánt automatikus főzés gombot, a **TÁRCSA** elforgatásával meg kell adni a súlyt/darabokat, majd meg kell nyomni a **START/GYORS START** gombot.

Például, ha két egységnyi héjában sült burgonyát szeretne készíteni.

1. Nyissa ki az ajtót, és helyezze az ételt a sütőbe a használt sütési ciklusnak megfelelő edényt használva.
2. Zárja be az ajtót.
3. Érintse meg egyszer a **SÜLT BURGONYA** gombot.
4. Forgassa el a **TÁRCSÁT** a burgonya szemek számának megadásához.
5. Nyomja meg a **START/GYORS START** gombot.
6. Amikor a főzési ciklus befejeződik, a kijelzőn az "End" (Vége) felirat jelenik meg, és kétpercenként egy hangjelzés hallható, amíg meg nem nyom egy gombot, vagy ki nem nyitja az ajtót.

Automatikus főzés ételei:

Automata program	Méret/Súly
Fagyasztott étel Automatikus kiolvasztás Automatikus újramelegítés	Válassza ki a súlyt a TÁRCSA elforgatásával. Fagyasztott ételek és automatikus újramelegítés (200 - 800 g), automatikus kiolvasztás (100 - 1800 g)
Italok újramelegítése	Válassza ki a csészék (egyenként 200 ml) számát a TÁRCSA segítségével. 1 - 3 csésze.
Héjában főtt krumpli	Válassza ki a burgonyák számát (egyenként 230 gramm) a TÁRCSA segítségével. 1 vagy 2 burgonya.
Pizza	Válassza ki a pizza súlyát (150 g / 300 g / 450 g) a TÁRCSA elforgatásával.
Popcorn	Válassza ki a pattogatott kukorica csomagok számát (egyenként 100 gramm) a TÁRCSA elforgatásával.
Friss zöldségek	Válassza ki a zöldségek súlyát (200 g és 600 g között) a TÁRCSA elforgatásával.
Zabkása	Válassza ki a zabkása súlyát (grammban) a TÁRCSA elforgatásával. 50 - 150 g.
Grillezett steak (csak a grill funkció modelleken)	Válassza ki a steak súlyát (200 g és 600 g között) a TÁRCSA elforgatásával.
Grillcsirke (csak a grill funkció modelleken)	Válassza ki a csirke súlyát (200 g és 600 g között) a TÁRCSA elforgatásával.
Grillezett hal (csak a grill funkció modelleken)	Válassza ki a hal súlyát (200 g és 600 g között) a TÁRCSA elforgatásával.

- Az automatikus főzés eredménye olyan tényezőktől függ, mint az ételek alakja és mérete, az Ön személyes preferenciája bizonyos ételek átsütöttségét illetően, és még az is, hogy mennyire jól helyezi el az ételt a sütőben. Ha az eredményt semmiképpen sem találja teljesen kielégítőnek, akkor a sütési időt ennek megfelelően állítsa hosszabbra egy kicsit.

Megjegyzés: Az Auto Menu gomb csak az YC-PG204A és YC-PS204A modelleken található meg. Az Auto Menu gomb minden egyes megnyomásakor a kijelzőn a fenti táblázat szerinti automatikus program jelenik meg. Ha megtalálta a kívánt automatikus menüt, forgassa el a **TÁRCSÁT** a főzni kívánt étel súlyának kiválasztásához.

Automata program részletei

Étel	Mennyiség	Kezdeti hőmérséklet	Főzési technika
Italok újramelegítése	1–3 csésze, 1 csésze = 200 ml	Környezeti	<ol style="list-style-type: none"> 1. Helyezze a felmelegíteni kívánt italt a mikrohullámú sütő forgó üvegasztalának közepére. 2. Csuksja be az ajtót, és nyomja meg az ITALOK ÚJRAMELEGÍTÉSE gombot, majd válassza ki a csészék számát a LÉPTETŐ-GOMB elforgatásával. 3. Nyomja meg a START/GYORS START gombot a főzés elindításához. 4. Amikor leáll az időzítő, távolítsa el az italt. Legyen óvatos, hiszen az ital forró lesz.
Héjában főtt burgonya	1 vagy 2 burgonya 1 burgonya = 230±10 g	Környezeti	<ol style="list-style-type: none"> 1. Mossa és szárítsa meg a burgonyákat, majd szurkálja meg néhányszor a burgonyákat egy villával. 2. Helyezze a burgonyákat a mikrohullámú sütő forgó üvegasztalának közepére. 3. Csuksja be az ajtót, nyomja meg a HÉJÁBAN FÖTT KRUMPLU gombot, és válassza ki a burgonyák számát a LÉPTETŐ-GOMB elforgatásával. 4. Nyomja meg a START/GYORS START gombot a főzés elindításához. 5. Amikor leáll az időzítő, vegye ki a burgonyákat a mikrohullámú sütőből. Legyen óvatos, hiszen az étel forró lesz.
Pizza	150–450 g	Fagyott -18 °C	<ol style="list-style-type: none"> 1. Helyezze a pizzát a mikrohullámú sütő biztonságos lapjára a mikrohullámú sütő üveg forgóasztalának közepére. 2. Csuksja be az ajtót, és nyomja meg a PIZZA gombot, majd válassza ki a súlyt a LÉPTETŐGOMB elforgatásával. 3. Nyomja meg a START/GYORS START gombot a főzés elindításához. 4. Amikor leáll az időzítő, vegye ki a pizzát a mikrohullámú sütőből. Legyen óvatos, hiszen az étel forró lesz.
Pattogatott kukorica	100 g	Környezeti	<ol style="list-style-type: none"> 1. Helyezze a pattogatott kukoricát a mikrohullámú sütő forgó üvegtányérjának közepére. 2. Csuksja be az ajtót, és nyomja meg a PATTOGATOTT KUKORICA gombot. 3. Nyomja meg a START/GYORS START gombot a főzés elindításához. 4. Amikor leáll az időzítő, vegye ki a pattogatott kukoricát a mikrohullámú sütőből. Legyen óvatos, hiszen az étel forró lesz.
Fagyasztott étel	200–800 g	Fagyott -18 °C	<ol style="list-style-type: none"> 1. Tegye a fagyasztott ételt egy mikrozható tábla, és fedje le műanyag fóliával; lyuggassa ki a műanyagot. 2. Helyezze a tálat a mikrohullámú sütő forgó üvegasztalának közepére. 3. Csuksja be az ajtót, és nyomja meg a FAGYASZTOTT ÉTEL gombot, majd válassza ki a súlyt a LÉPTETŐGOMB elforgatásával. 4. Nyomja meg a START/GYORS START gombot a főzés elindításához. 5. Amikor leáll az időzítő, vegye ki az ételt és szervírozza. Legyen óvatos, hiszen az étel forró lesz.
Friss zöldségek	200–600 g	Környezeti	<ol style="list-style-type: none"> 1. Mossa meg és vágja a zöldségeket kisebb darabokra; 25–30 mm hosszúra és 10 mm vastagságúra. 2. Tegye ezeket a darabokat egy mikrozható kerámia tábla, és fedje le műanyag fóliával; lyuggassa ki a műanyagot. 3. Helyezze a tálat a mikrohullámú sütő forgó üvegasztalának közepére. 4. Csuksja be az ajtót, és nyomja meg a FRISS ZÖLDSÉGEK gombot, majd válassza ki a súlyt a LÉPTETŐGOMB elforgatásával. 5. Nyomja meg a START/GYORS START gombot a főzés elindításához. 6. Amikor leáll az időzítő, vegye ki az ételt és szervírozza. Legyen óvatos, hiszen az étel forró lesz.
Zabkása	50–150 g	Környezeti	<ol style="list-style-type: none"> 1. Keverje össze a zabkását és a tejet egy tálban. 50 g zabkásához 180 ml tej hozzáadását ajánljuk. 2. Tegye a tálat a forgó üvegasztal közepére. 3. Csuksja be az ajtót, és nyomja meg a ZABKÁSA gombot, majd válassza ki a súlyt a LÉPTETŐGOMB elforgatásával. 4. Nyomja meg a START/GYORS START gombot a főzés elindításához. 5. Amikor lejár az időzítő, vegye ki és szervírozza.
Automatikus újramelegítés	200–800 g	Hideg 5 °C	<ol style="list-style-type: none"> 1. Tegye a hideg rizst és a tésztát egy mikrozható kerámia tábla, fedje le műanyag fóliával; lyuggassa ki a műanyagot. 2. Helyezze a tálat a mikrohullámú sütő forgó üvegasztalának közepére. 3. Csuksja be az ajtót, és nyomja meg az AUTOMATIKUS ÚJRAMELEGÍTÉS gombot, majd válassza ki a súlyt a LÉPTETŐ-GOMB elforgatásával. 4. Nyomja meg a START/GYORS START gombot a főzés elindításához. 5. Amikor lejár az időzítő, vegye ki és szervírozza.
Grillezett steak	200–600 g	Környezeti	<ol style="list-style-type: none"> 1. Egyenletesen ossza el a steaket a zsírpapírral lefedett grillrácsra. 2. Tegye a grillrácsot a mikrohullámú sütő forgó üvegasztalának közepére. 3. Csuksja be az ajtót, és nyomja meg a GRILLEZETT STEAK gombot, majd válassza ki a súlyt a LÉPTETŐGOMB elforgatásával. 4. Nyomja meg a START/GYORS START gombot a főzés elindításához. 5. A sütési idő kétharmadánál nyissa ki az ajtót az étel átforgatásához, majd csukja be az ajtót, és folytassa a sütést. 6. Amikor leáll az időzítő, vegye ki az ételt és szervírozza. Legyen óvatos, hiszen az étel és az evőeszközök forróak lesznek.
Grillezett csirkehús-darabok	200–600 g	Környezeti	<ol style="list-style-type: none"> 1. Egyenletesen ossza el a csirkehús-darabokat a zsírpapírral lefedett grillrácsra. 2. Tegye a grillrácsot a mikrohullámú sütő forgó üvegasztalának közepére. 3. Csuksja be az ajtót, és nyomja meg a Grillezett csirke gombot, majd válassza ki a súlyt a LÉPTETŐGOMB elforgatásával. 4. Nyomja meg a START/GYORS START gombot a főzés elindításához. 5. A sütési idő kétharmadánál nyissa ki az ajtót az étel átforgatásához, majd csukja be az ajtót, és folytassa a sütést. 6. Amikor leáll az időzítő, vegye ki az ételt és szervírozza. Legyen óvatos, hiszen az étel és az evőeszközök forróak lesznek.
Grillezett halszeletek	100–500 g	Környezeti	<ol style="list-style-type: none"> 1. Egyenletesen ossza el a halszeleteket a zsírpapírral lefedett grillrácsra. 2. Tegye a grillrácsot a mikrohullámú sütő forgó üvegasztalának közepére. 3. Csuksja be az ajtót, és nyomja meg a GRILLEZETT FISH gombot, majd válassza ki a súlyt a LÉPTETŐGOMB elforgatásával. 4. Nyomja meg a START/GYORS START gombot a főzés elindításához. 5. A sütési idő kétharmadánál nyissa ki az ajtót az étel átforgatásához, majd csukja be az ajtót, és folytassa a sütést. 6. Amikor leáll az időzítő, vegye ki az ételt és szervírozza. Legyen óvatos, hiszen az étel és az evőeszközök forróak lesznek.

Megjegyzés	Sütő mód és használt módszer	YC-PS204A	YC-PS234A és YC-PS254A	YC-PG204A	YC-PG234A, YC-PG254A és YC-PG284A
	Csak mikrohullám 100%-on	1 csésze – 1:40 perc 2 csésze: 3:00 perc 3 csésze: 4:20 perc	1 csésze – 1:30 perc 2 csésze: 2:40 perc 3 csésze: 3:50 perc	1 csésze – 1:40 perc 2 csésze: 3:00 perc 3 csésze: 4:20 perc	1 csésze – 1:30 perc 2 csésze: 2:40 perc 3 csésze: 3:50 perc
	Csak mikrohullám 100%-on	1 burgonya – 6:00 perc 2 burgonya: 9:00 perc 3 burgonya: 13:00 perc	1 burgonya – 5:00 perc 2 burgonya: 8:00 perc 3 burgonya: 12:00 perc	1 burgonya – 6:00 perc 2 burgonya: 9:00 perc 3 burgonya: 13:00 perc	1 burgonya – 5:00 perc 2 burgonya: 8:00 perc 3 burgonya: 12:00 perc
Az YC-PS204A és az YC-PG204A esetében meg kell nyomni az AUTO MENU gombot, amíg meg nem jelenik a program.	Csak mikrohullám 100%-on	150 g – 1:00 perc 300 g – 1:30 perc 450 g: 2:00 perc	150 g – 0:50 perc 300 g – 1:20 perc 450 g: 1:50 perc	150 g – 1:00 perc 300 g – 1:30 perc 450 g: 2:00 perc	150 g – 0:50 perc 300 g – 1:20 perc 450 g: 1:50 perc
	Csak mikrohullám 100%-on	100g: 3:00 perc	100g: 2:00 perc	100g: 3:00 perc	100g: 2:30 perc
	Mikrózza 100%-on 1/2 ideig, majd 0%-on 1/6 ideig és végül 100%-on 1/3 ideig.	200g: 8:00 perc 400g: 11:00 perc 600g: 15:00 perc 800g: 18:00 perc	200g: 6:00 perc 400g: 9:00 perc 600g: 13:00 perc 800g: 16:00 perc	200g: 8:00 perc 400g: 11:00 perc 600g: 15:00 perc 800g: 18:00 perc	200g: 6:00 perc 400g: 9:00 perc 600g: 13:00 perc 800g: 16:00 perc
Az YC-PS204A és az YC-PG204A esetében meg kell nyomni az AUTO MENU gombot, amíg meg nem jelenik a program.	Csak mikrohullám 100%-on	200g: 3:30 perc 300g: 4:30 perc 400g: 5:30 perc 500g: 6:30 perc 600g: 7:30 perc	200g: 3:00 perc 300g: 4:00 perc 400g: 5:00 perc 500g: 6:00 perc 600g: 7:00 perc	200g: 3:30 perc 300g: 4:30 perc 400g: 5:30 perc 500g: 6:30 perc 600g: 7:30 perc	200g: 3:00 perc 300g: 4:00 perc 400g: 5:00 perc 500g: 6:00 perc 600g: 7:00 perc
Az YC-PS204A és az YC-PG204A esetében meg kell nyomni az AUTO MENU gombot, amíg meg nem jelenik a program.	Mikrohullám – 100%	50g: 2:00 perc 100g: 3:30 perc 150g: 5:30 perc	50g: 2:00 perc 100g: 3:30 perc 150g: 5:30 perc	50g: 2:00 perc 100g: 3:30 perc 150g: 5:30 perc	50g: 2:00 perc 100g: 3:30 perc 150g: 5:30 perc
Az YC-PG204A esetében meg kell nyomni az AUTO MENU gombot, amíg meg nem jelenik a program.	Csak mikrohullám 100%-on	200g: 2:00 perc 300g: 2:40 perc 400g: 3:20 perc 500g: 4:00 perc 600g: 4:40 perc 700g: 5:20 perc 800g: 6:00 perc	200g: 1:30 perc 300g: 2:00 perc 400g: 2:30 perc 500g: 3:00 perc 600g: 3:30 perc 700g: 4:00 perc 800g: 4:30 perc	200g: 2:00 perc 300g: 2:40 perc 400g: 3:20 perc 500g: 4:00 perc 600g: 4:40 perc 700g: 5:20 perc 800g: 6:00 perc	200g: 1:30 perc 300g: 2:00 perc 400g: 2:30 perc 500g: 3:00 perc 600g: 3:30 perc 700g: 4:00 perc 800g: 4:30 perc
Az YC-PG204A esetében meg kell nyomni az AUTO MENU gombot, amíg meg nem jelenik a program.	A mikrohullám 100%-on működik 10 másodpercig, majd bekapcsol a grill 23 másodpercre. Ez a ciklus a sütési idő végéig ismétlődik. A mikrohullám és a grill soha nincs egyszerre bekapcsolva.	n/a	n/a	200g: 15:00 perc 300g: 18:00 perc 400g: 21:00 perc 500g: 24:00 perc 600g: 27:00 perc	200g: 15:00 perc 300g: 18:00 perc 400g: 21:00 perc 500g: 24:00 perc 600g: 27:00 perc
Az YC-PG204A esetében meg kell nyomni az AUTO MENU gombot, amíg meg nem jelenik a program.	A mikrohullám 100%-on működik 10 másodpercig, majd bekapcsol a grill 23 másodpercre. Ez a ciklus a sütési idő végéig ismétlődik. A mikrohullám és a grill soha nincs egyszerre bekapcsolva.	n/a	n/a	200g: 15:00 perc 300g: 18:00 perc 400g: 21:00 perc 500g: 24:00 perc 600g: 27:00 perc	200g: 15:00 perc 300g: 18:00 perc 400g: 21:00 perc 500g: 24:00 perc 600g: 27:00 perc
Az YC-PG204A esetében meg kell nyomni az AUTO MENU gombot, amíg meg nem jelenik a program.	A mikrohullám 100%-on működik 10 másodpercig, majd bekapcsol a grill 23 másodpercre. Ez a ciklus a sütési idő végéig ismétlődik. A mikrohullám és a grill soha nincs egyszerre bekapcsolva.	n/a	n/a	100g: 12:00 perc 200g: 15:00 perc 300g: 18:00 perc 400g: 21:00 perc 500g: 24:00 perc	100g: 12:00 perc 200g: 15:00 perc 300g: 18:00 perc 400g: 21:00 perc 500g: 24:00 perc

AUTOMATA KIOLVASZTÁS

Az automatikus kiolvasztás lehetővé teszi az élelmiszerek súly szerinti kiolvasztását. A kiolvasztási időt és a teljesítményszint automatikusan beállítja a program, miután beprogramozta az élelmiszer-kategóriát és a súlyt. A fagyasztott élelmiszerek súlya 100 g és 1800 g között állítható.

1. Készenléti módban nyomja meg az **AUTO. KIOLVASZTÁS** gombot.
2. Forgassa el a **TÁRCSÁT** a kiolvasztani kívánt étel súlyának beállításához.
3. Nyomja meg a **START/GYORS START** gombot a kiolvasztás elindításához.
4. Ha a sütő a kiolvasztás alatt leáll, fordítsa meg az ételt, hogy biztosítsa az egyenletes kiolvasztást, majd nyomja meg a **START/GYORS START** gombot a kiolvasztás folytatásához a hátralévő időben.
5. Amikor egy kiolvasztási ciklus befejeződik, a kijelzőn az "**End**" (Vége) felirat jelenik meg, és kétpercenként egy hangjelzés hallható, amíg meg nem nyom egy gombot, vagy ki nem nyitja az ajtót.

Automatikus kiolvasztás – művelet

Típus	Súlytartomány	Kiolvasztási időtartam	Kiolvasztási művelet	Eljárás
YC-PG204A	100–1800 g	5,5–39,5 perc	Mikrohullám 40%-on a idő 1/3 részében, majd 20%-on az idő következő 1/3 részében. Kéri az átfordítást, majd az átfordítás után kiolvasztást végez 20%-os teljesítménnyel a hátralévő időben.	1. Tegye a fagyasztott ételt egy mikrózható tálba, és fedje le műanyag fóliával; lyuggassa ki a műanyagot. 2. Helyezze a tálat a mikrohullámú sütő forgó üvegszalának közepére. 3. Csukja be az ajtót, és nyomja meg az AUTOMATIKUS KIOLVASZTÁS gombot, majd válassza ki a súlyt a LÉPTETŐ-GOMB elforgatásával.
YC-PG204A	100–1800 g	5–39 perc	Mikrohullám 20%-on félideig, kéri az átfordítást. 20%-os teljesítmény a hátralévő időben.	4. Nyomja meg a START/GYORS START gombot a kiolvasztás elindításához.
YC-PS234A és YC-PG234A	100–1800 g	5,5–39,5 perc	Mikrohullám 20%-on félideig, kéri az átfordítást. 20%-os teljesítmény a hátralévő időben.	5. A kiolvasztási ciklus befejeződése előtt a sütő leáll, és kéri az étel átforgatását.
YC-PS254A, YC-PG254A és YC-PG284A	100–1800 g	3–37 perc	Mikrohullám 30%-on a idő 1/3 részében, majd 20%-on az idő következő 1/3 részében. Kéri az átfordítást, majd az átfordítás után kiolvasztást végez 20%-os teljesítménnyel a hátralévő időben.	6. Nyissa ki az ajtót, és forgassa/rendezze át az ételt. Csukja be az ajtót. 7. Nyomja meg a START/GYORS START gombot a kiolvasztás folytatásához. 8. Amikor leállt az időzítő, vegye ki az ételt a sütőből. Ellenőrizze, hogy teljesen kiolvadt-e az étel.

AUTOMATIKUS ÚJRAMELEGÍTÉS*

A sütő lehetővé teszi az ételek újramelegítését a felhasználó által megadott súly alapján.

Az újramelegítési idő és a teljesítményszint automatikusan kerül beállításra, amint az ételkategoriót és a súlyt beprogramozták. A kiolvasztási súly 100 g és 800 g között állítható.

1. Készenléti módban nyomja meg kétszer az **AUTO REHEAT** gombot.
2. Forgassa el a **TÁRCSÁT** a megmelegíteni kívánt étel súlyának beállításához.
3. Nyomja meg a **START/GYORS START** gombot.
4. Amikor a főzési ciklus befejeződik, a kijelzőn az "**End**" (Vége) felirat jelenik meg, és kétpercenként egy hangjelzés hallható, amíg meg nem nyom egy gombot, vagy ki nem nyitja az ajtót.

* - Csak a grill funkcióval rendelkező modelleken.

KONYHAI IDŐZÍTŐ

A sütő konyhai időzítővel van felszerelve, amely a beállított időtől visszaszámol.

1. Készenléti módban nyomja meg egyszer a **IDŐ/ÓRA BEÁLLÍTÁSA** gombot.
2. A kívánt időtartam beállításához forgassa el a **TÁRCSÁT**. A leghosszabb időtartam 95 perc lehet.
3. Nyomja meg a **START/GYORS START** gombot a jóváhagyáshoz.
4. A kijelző visszaszámol a beállított időből.
5. Amikor a kijelző eléri a nullát, egy hangjelzés hallatszik.

Lehetőség van a konyhai időzítő használatára is a főzési üzemmódban. Ehhez kövesse a fentiekben vázolt lépéseket, miközben az ételt főzi. A konyhai időzítő, aktiválása után, öt másodpercig jelenik meg a kijelzőn, majd a kijelző visszatér a főzési ciklus visszaszámláló időzítőjére. Az időzítő újbóli megjelenítéséhez nyomja meg egyszer a **IDŐ/ÓRA BEÁLLÍTÁSA** gombot, és a konyhai időzítő öt másodpercre megjelenik, majd visszatér a főzési visszaszámlálóra.

- Az időzítő program törléséhez nyomja meg a **STOP/ECO** gombot, és a kijelzőn megjelenik az idő.
- Ha egy főzési ciklus már elindult, a konyhai időzítő a fenti lépések szerint indítható.

ENERGIATAKARÉKOS FUNKCIÓ

Ez a funkció lehetővé teszi, hogy energiát takarítson meg, amíg a sütő nincs használatban. A funkció aktiválásához készenléti üzemmódban tartsa lenyomva a **STOP/ECO** gombot 3 másodpercig, a kijelző kikapcsol; a sütő energiatakarékos üzemmódba lép.

Az energiatakarékos üzemmód kikapcsolásához nyomja meg bármelyik gombot, vagy nyissa ki és zárja be a sütő ajtaját.

NÉMÍTÁS FUNKCIÓ

A mikrohullámú sütő minden hangját el lehet némítani a némítás funkcióval. A némítás funkció beállításához nyomja meg egyszer a **GYERMEKZÁR** gombot, a kijelzőn 5 másodpercig **"oFF"** felirat jelenik meg. A némítási üzemmódban a gombok megnyomásakor nem hallható hang.

A némítási funkció kikapcsolásához nyomja meg egyszer a **GYERMEKZÁR** gombot, a kijelzőn 5 másodpercig az **"on"** felirat jelenik meg, jelezve, hogy a hang vissza lett kapcsolva.

Ha a némítás funkció be van kapcsolva, és a sütőt csatlakozóját kihúzzák a konnektorból, akkor a csatlakozó visszadugásakor a némítás kikapcsol.

BIZTONSÁGI ZÁR

Ez egy automatikus funkció, amely megakadályozza, hogy a sütőt gyermekek felügyelet nélkül működtessék.

Készenléti módban, ha egy percen belül nem történik művelet, a sütő automatikusan biztonsági zár módba kapcsol, és a **"Loc"** felirat megjelenik a kijelzőn. Lezár módban minden gomb le van tiltva. Nyomja meg bármelyik gombot, a kijelzőn 5 másodpercre megjelenik a zár jelzése, hogy emlékeztesse a felhasználót a biztonsági zár törlésére.

A biztonsági zár kikapcsolásához egyszerűen csak nyissa ki és csukja be a mikrohullámú sütő ajtaját és a kezelőfelület újra használhatóvá válik, a zár jelzés kialszik.

GYERMEKZÁR

A GYERMEKZÁR beállításához nyomja meg és tartsa lenyomva a **CHILD LOCK** gombot 3 másodpercig. Hosszú sípolás hallatszik, és a kijelzőn a **„Loc”** felirat látható. A sütő mostantól GYERMEKZÁR üzemmódban van. Ebben az üzemmódban a kijelzőn az óra jelenik meg. Ha bármelyik gombot megnyomják vagy az ajtót kinyitják, a **„Loc”** felirat 5 másodpercig lesz látható.

A GYERMEKZÁR törlése: Tartsa lenyomva a **CHILD LOCK** gombot 3 másodpercig, amíg egy hosszú hangjelzést nem hall.

TISZTÍTÁS ÉS ÁPOLÁS

- Tisztításkor kapcsolja ki a sütőt, és húzza ki a tápkábelt a konnektorból.
- Tartsa tisztán a sütő belsejét. Ha a kifröccsent étel vagy folyadék a sütő oldalára, tetejére vagy aljára tapad, törölje le egy nedves ruhával. Enyhe mosószereket használjon, ha a sütő nagyon beszenyeződik. Kerülje a spray vagy más erős tisztítószerek használatát. Foltot hagyhatnak, csíkokat okozhatnak vagy kifakíthatják az ajtó felületét.
- A sütő külsejét nedves ruhával kell megtisztítani. A sütő belsejében lévő részek károsodásának elkerülése érdekében nem szabad hagyni, hogy a tisztításhoz használt víz beszivároгjon a szellőzőnyílásokba.
- Gyakran törölje le az ajtót és az ablakot mindkét oldalán, az ajtó tömítéseket és a környező részeket nedves ruhával az esetleges kiömlések és fröccsenések eltávolításához.
- Ne használjon súrolószert!
- Ne tisztítsa gőzzel!
- Ne hagyja, hogy a kezelőpanel nedves legyen. Puha, benedvesített ruhával tisztítsa meg. A kezelőpanel tisztításakor hagyja nyitva a sütő ajtaját, hogy megakadályozza a sütő véletlen bekapcsolását.
- Ha pára halmozódik fel a sütő ajtaján belül vagy kívül, törölje le egy puha ruhával. Ez akkor fordulhat elő, ha a mikrohullámú sütőt magas páratartalom mellett működtetik. Ez nem jelent meghibásodást.
- A forgótányért, a forgótányértartót és a csatlakozót rendszeresen tisztítani kell a szennyeződések és az esetleges ívek/károsodások elkerülése érdekében. Egyszerűen törölje át enyhe tisztítószerral.
- A kellemetlen szagokat sütőből történő eltávolításához helyezzen egy mikrohullámzóható tálban egy csésze vizet egy citrom levéllel és héjával összekeverve. 5 percig mikrohullámozza. Ezután alaposan törölje át és egy puha ruhával törölje szárazra.
- Ha az izzó meghibásodik, tanácsért forduljon az ügyfélszolgálathoz.
- A sütőt rendszeresen tisztítani kell, és az élelmiszer lerakódásokat el kell távolítani. Ha a sütőt nem tartják tiszta állapotban, a felületei károsodhatnak, ami hátrányosan befolyásolhatja a készülék élettartamát, és veszélyes helyzetet eredményezhet.
- Kérjük, ne dobja ezt a készüléket a háztartási szemétkbe; olvassa el az ilyen típusú termékek ártalmatlanítására vonatkozó nemzeti ajánlásokat.

A SÜTŐBEN HASZNÁLHATÓ EDÉNYEK

1. A mikrohullámú edény ideális anyaga a mikrohullám számára áthatolható, lehetővé teszi, hogy az energia áthaladjon az edényen és felmelegítse az ételt.
2. A mikrohullám nem képes áthatolni a fémen, ezért fém edényeket vagy fém díszítésű edényeket nem szabad használni.
3. Ne használjon újrahasznosított papírtermékeket mikrohullámú sütéskor, mivel ezek apró fémdarabkákat tartalmazhatnak, amelyek szikrákat és/vagy tüzet okozhatnak.
4. A szögletes/ovális edények helyett inkább a kerek/hosszúak edények használata ajánlott, mivel a sarkokban lévő ételek hajlamosak túlsülni.
5. Keskeny alumíniumfólia csíkok használhatók a szabadon lévő területek túlsülésének megakadályozására. De vigyázzon, ne használjon túl sokat, és tartson 2,54 cm távolságot a fólia és az sütő fala között.

Az alábbi lista egy általános útmutató a megfelelő edények kiválasztásához.

Edények	Mikrohullám biztos	Grill:	Megjegyzések
Piritőedények	✓ / ✗	✗	Mindig kövesse a gyártó utasításait. Ne lépje túl a megadott melegítési időtartamokat. Legyen nagyon óvatos, mivel az edények felforrósodhatnak.
Porcelán és kerámia edények	✓ / ✗	✗	Porcelán edények, agyagedények, mázas kőedények általában használhatók, kivéve a fém díszítéssel ellátottakat.
Hőálló üveg	✓	✓	Ügyelni kell arra, hogy az üvegedények alkalmasak legyenek mikrohullámú sütőben való használatra.
Nem hőálló üveg	✗	✗	
Hőálló kerámia	✓	✓	Győződjön meg arról, hogy a kerámiaanyag nem túl vastag vagy magas ásványianyag-tartalmú.
Mikrohullámozható műanyag csomagolás	✓	✗	Mindig ellenőrizze, hogy a műanyag edény alkalmas-e a mikrohullámú sütőben való használatra.
Konyhai törőpapír	✓ / ✗	✗	Csak olyan konyhai papírt használjon, amelyet mikrohullámú sütőben való használatra ajánlanak.
Üvegedények pl. Pyrex®	✓ / ✗	✓	Óvatosan kell eljárni kristály és más finom üvegedény használatakor, mivel ezek eltörhetnek vagy elrepedhetnek, ha hirtelen melegítik fel őket.
Fémhála	✗	✓	Fém edények használata nem javasolt, mivel szikra keletkezhet, ami tüzet okozhat.
Fém rács	✗	✓	Fém edények használata nem javasolt, mivel szikra keletkezhet, ami tüzet okozhat.
Alumínium fólia Fóliából készült edény	✓ / ✗	✓	Kis darab alufólia darabok használhatók az étel lefedésére túlmelegedés ellen. A fólia darabok legalább 2,54 cm távolságra legyenek a sütő falától, mivel szikrázást okozhatnak. Nem javasolt fóliából készült edények használata, hacsak a gyártó nem javasolja, pl. Microfoil®. Mindig pontosan tartsa be az utasításokat.
Mikrozható fólia	✓	✗	A fólia ne érjen az ételhez. Először szűrje át a felszínét, hogy a felgyülemlett gőz eltávozhasson.
Műanyag/Polisztrén pl. gyorsétel csomagolás	✓	✗	Néhány edény magas hőmérsékleten deformálódhat, megolvadhat vagy elszineződhet.
Fagyasztó/sütőtásakok	✓	✗	Át kell szűrni a felszínét, hogy a gőz eltávozhasson. Győződjön meg róla, hogy a tasak mikrohullámozható!
Papírtányérok/poharak és konyhai papír	✓	✗	Ne használjon műanyag vagy fém zárrakat, mert megolvadhatnak vagy lángra kaphatnak a szikrák miatt!
Fa tárolók	✓	✗	Csak melegítéshez vagy a lecsapódott pára felvitásához használja. Óvatosan kell eljárni, mivel a túlmelegítés tüzet okozhat.
Újrahasznosított papír és újságpapír	✗	✗	Mindig figyelje a sütő működését, ha ezeket az anyagokat használja, mivel a túlmelegedés tüzet okozhat. Tartalmazhat fémszármazékokat, ami szikrákat kelthet és tüzet okozhat.



FIGYELMEZTETÉS: Ha eldobható, műanyagból vagy papírból készült edényt használ, ne hagyja a sütőt őrizetlenül, mert az edények meggyulladhatnak.

MEGJEGYZÉS: Használat közben ne hagyja felügyelet nélkül a sütőt.

TANÁCSOK MIKROHULLÁMMAL VALÓ FŐZÉSHEZ

A mikrohullámok révén gyorsabban készülnek el az ételek, mint a hagyományos főzés során. Ezért elengedhetetlen, hogy bizonyos technikákat kövessünk a jó végeredmény érdekében. Az alábbi technikák közül sok hasonló a hagyományos főzés során alkalmazottakhoz.



FIGYELMEZTETÉS: Tilos folyadékot, illetve bármilyen ételt zárt dobozban vagy fedett üvegben/ dobozban melegíteni, mivel az edényben nyomás keletkezhet és a doboz/üveg szétduzzanhat.

FŐZÉSI TANÁCSOK MEGJEGYZÉSEI:

- A sütő használatakor mindig felügyelje annak működését.
- Győződjön meg arról, hogy az edények használhatók mikrohullámú sütőben.
- Csak mikrohullámozható pattogatott kukoricát használjon a hozzá ajánlott csomagolásban (kövesse a gyártó utasításait). Sose használjon olajat, hacsak a gyártó nem javasolja és sose készítse tovább a kukoricát, mint amit az utasítás tartalmaz.



FIGYELMEZTETÉS: Ha túllépi az ajánlott főzési időt, vagy túl magas teljesítményszintet használ, az étel túlmelegedhet, megéghet és extrém körülmények között ki is gulladhat, a sütő megsérülhet.

Elrendezés

Az étel vastagabb részeit helyezze a tányér széléhez közelebb, pl. csirkecombokat.

A tányér széléhez közelebb helyezett ételek több energiát kapnak, így gyorsabban megsülnek/megfőnek, mint a közepén lévő részek.

Befedés

Néhány ételnél hasznos, ha mikrohullámú főzés közben le van fedve

Használjon átlukasztott mikrohullámozható fóliát vagy megfelelő fedőt.

Szurkálás

Héjjal, bőrrrel vagy hártával rendelkező ételeket főzés vagy újramelegítés előtt több helyen át kell szúrni, mert belsejükben gőz gyűlhet össze és az étel szétduzzanhat. Pl. krumpli, hal, csirke, kolbászkok esetében.

MEGJEGYZÉS: Tojásokat nem szabad mikrohullámú sütővel melegíteni, mert felrobbanhatnak még a főzés befejezése után is. Tilos például buggyantott, sült, keményre főtt tojást melegíteni.

Keverés, megfordítás és átrendezés

Elengedhetetlen, hogy főzés/sütés közben néha megkeverje, megfordítsa vagy átrendezze az ételt. Mindig az étel széléről a közepe felé keverje vagy rendezze át.

Pihentetés

Főzés után hagyni kell az ételt bizonyos ideig állni, hogy a hő egyenletesen eloszolhasson az ételben.

Az étel jellemzői	
Összetétel	A magas zsír és cukor tartalmú ételeknek (pl. karácsonyi puding, gyümölcskosár) rövidebb melegítési idő szükséges. Körültekintően kell eljárni, mivel a túlmelegítés tüzet okozhat. Az ételben található csontok vezetik a hőt, az étel így gyorsabban megsül/megfő. Ügyeljen rá, hogy az étel egyenletesen készüljön el.
Sűrűség	Az étel sűrűsége hatással van a szükséges főzési időtartamra. Könnyű, porózus ételek, mint a sütemények vagy a kenyér sokkal gyorsabban megsülnek, mint a nehéz, sűrű ételek, mint például a sülték és vagdaltak.
Mennyiség	A mikrohullámok száma azonos, függetlenül a megfőzni kívánt étel mennyiségétől. A főzési időt növelni kell, ha a sütőbe helyezett étel mennyisége növekszik. pl. négy krumplit hosszabb idő megsütni, mint kettőt.
Méret	Kisebb ételek és kisebb darabok gyorsabban megfőnek, mint a nagyobbak, mivel a mikrohullámok minden oldalról képesek bejutni az étel közepére. Főzőskor az egyes ételdarabokat azonos méretűre készítse elő.
Alak	A szabálytalan alakú ételeknek, mint például a csirkemellnek vagy combnak hosszabb idő kell, hogy megsüljön a vastagabb részén. Sütéskor helyezze a vastagabb részeket közelebb az edény széléhez, ahol több energia éri őket. Mikrohullámmal történő főzőskor a kerek alakú ételek gyorsabban elkészülnek, mint a szögletes alakúak.
Az étel hőmérséklete	Az étel kezdeti hőmérséklete befolyásolja a szükséges főzési idő hosszát. A hűtött étel főzéséhez hosszabb időre van szükség, mint a szobahőmérsékletű ételekéhez. Az edény hőmérséklete nem jelzi pontosan a benne lévő étel vagy ital hőmérsékletét. A töltött ételeken, pl. lekváros fánkon ejtsen bevágásokat, hogy a hő és a gőz el tudjon távozni.



FIGYELMEZTETÉS: Arc és kezek: Mindig használjon konyhai kesztyűt a étel vagy az edények sütőből való kivételéhez. Lépjen hátrébb, mikor kinyitja a sütő ajtaját, hogy a hő és a gőz eltávozhasson. Befedett ételek felnyitásakor (például fólia levételekor), sütőtasak vagy popcorn csomagolásának kinyitásakor ügyeljen arra, hogy a kiáramló meleg gőz ne érje arcát vagy kezeit.



FIGYELMEZTETÉS: Tálalás előtt mindig keverje meg az ételeket és italokat, és ellenőrizze hőmérsékletüket! Különösen ügyeljen a csecsemőknek, gyermekeknek és időseknek adott ételek és italok hőmérsékletére! A cumisüvegek és bébiételes üvegek tartalmát mindig keverje meg vagy rázza fel, és fogyasztás előtt ellenőrizze annak hőmérsékletét, nehogy égési sérülést okozzon!

TANÁCSOK KIOLVASZTÁSHOZ

A mikrohullámú sütő használata a leggyorsabb kiolvasztási módszer. Ez egy egyszerű folyamat, de az alábbi utasítások követése elengedhetetlen ahhoz, hogy az ételt megfelelően kiolvaszák.

- Távolítson el minden csomagolóanyagot az ételről kiolvasztás előtt.
- Ételek kiolvasztásához a P-20 vagy a P-40 mikrohullám teljesítményszintet használja.
- Kérjük, olvassa el az alábbiakban található további információkat.

Átrendezés

A tányér szélére helyezett ételek gyorsabban kiolvadnak, mint a közepén találhatók. Ezért elengedhetetlen, hogy kiolvasztás közben legalább négyszer átrendezze az ételt.

Tegye a szorosan lévő részeket a tányér széléről a közepére és rendezze át az egymással fedésben lévő részeket is. Ezzel biztosíthatja, hogy az étel minden része egyenletesen kiolvad.

Szétválasztás

Az ételek összetapadhatnak a mélyhűtőből való kivételkor. Fontos, hogy kiolvasztás során minél előbb elválassza egymástól az összetapadt ételeket.

pl. bacon szalonnaszleteket, csirkehús filéket.

Befedés

Kiolvasztás közben az étel egyes részei túlmelegedhetnek. Túlmelegedésük és megsülésük elkerülése érdekében ezeket a részeket kis darab fóliával fedheti be, ami visszaveri a mikrohullámokat, pl. csirkelábak és szárnyak esetén.

Pihentetés

Az ételek teljes kiolvadásához elengedhetetlen állni hagyni őket bizonyos ideig.

A kiolvasztás nem a mikrohullámú sütőből történő kivétellel fejeződik be. Az ételt befedve állni kell hagyni egy bizonyos ideig, hogy belső részei is teljesen kiolvadjanak.

Megfordítás

Alapvető fontosságú, hogy a kiolvasztás során az ételt akár négyszer is megfordítsák.

Ez fontos az alapos kiolvasztás biztosításához.

TANÁCSOK ÚJRAMELEGÍTÉSHEZ

Ételek újramelegítésekor kövesse az alábbi tanácsokat, hogy felszolgálás előtt az étel teljesen átmelegedjen.

Ételek tányéron

Vegyen le minden húst a tányérról és ezeket külön melegítse meg. Lásd az alábbiakban.

A kisebb ételdarabokat a tányér közepére, a nagyobb és vastagabb darabokat a szélére helyezze. Fedje be átszűrt mikrohullámozható fóliával az ételt és melegítse meg P-50 teljesítményszinten. A melegítés felénél keverje meg / rendezze át az ételt.

MEGJEGYZÉS: Felszolgálás előtt győződjön meg arról, hogy az étel teljesen átmelegedett.

Szeletelt hús

Fedje be átszűrt mikrozható fóliával a húst és melegítse meg P-60 teljesítményszinten. Melegítés közben legalább egyszer rendezze át a húsokat a teljes átmelegedés érdekében.

MEGJEGYZÉS: Felszolgálás előtt győződjön meg arról, hogy a hús teljesen átmelegedett.

Csirke adagok

A vastagabb darabokat a tányér szélére helyezze, fedje be mikrozható fóliával és P-70 teljesítményszinten melegítse meg.

Melegítés felénél fordítsa meg a húsokat.

MEGJEGYZÉS: Felszolgálás előtt győződjön meg arról, hogy a csirke teljesen átmelegedett.

Tűzálló edények

Fedje be mikrozható fóliával vagy egy megfelelő fedővel és melegítse meg P-50 teljesítményszinten.

Rendszeresen keverje meg, hogy a teljes étel egyenletesen felmelegedjen.

MEGJEGYZÉS: Felszolgálás előtt győződjön meg arról, hogy az étel teljesen átmelegedett.

Ahhoz, hogy az újramelegítéssel a legjobb eredményt érje el, válasszon az étel típusának megfelelő mikrohullámú teljesítményszintet. Pl. egy tál zöldséget P-100 teljesítményszintet használva melegíthet meg, míg egy adag lasagnet, amit nem lehet megkeverni, P-40 teljesítményszinten kell melegíteni.

MEGJEGYZÉSEK:

- Melegítés előtt távolítsa el az ételen lévő fólia és fém tartalmú csomagolást.
- A melegítés ideje függ az étel alakjától, méretétől, mennyiségétől és hőmérsékletétől, továbbá a tároló edény méretétől, alakjától és anyagától.



FIGYELMEZTETÉS: Soha ne melegítsen folyadékot szűk nyakú edényben, mivel a felforrósított edény tartalma kifuthat és égési sérüléseket okozhat!

- A túlmelegedés és tűz keletkezésének elkerülése miatt fokozatos elővigyázatosságra van szükség a magas cukor- vagy zsírtartalmú ételek (például sütemények vagy karácsonyi puding) melegítése esetén.
- Tilos sütéshez használt olajat vagy zsírt melegíteni a sütőben, mivel a túlmelegedhet és tüzet okozhat!
- Konzerv burgonyát ne melegítsen a mikrohullámú sütőben! Kövesse a gyártó konzervben elhelyezett útmutatásait.



FIGYELMEZTETÉS: A cumisüvegek és bébiételes üvegek tartalmát mindig keverje meg vagy rázza fel, és fogszasztás előtt ellenőrizze annak hőmérsékletét, nehogy égési sérülést okozzon!

HIBAELHÁRÍTÁS

Ha úgy tapasztalja, hogy sütője nem működik megfelelően, néhány egyszerű ellenőrzéssel maga is ellenőrizheti a hibát a szerelő kihívása előtt. Egyszerűbb hibák esetén ezzel elébe mehet a felesleges szerviz hívásoknak.

Végezze el az alábbi egyszerű ellenőrzéseket:

Tegyen fél pohár vizet a forgótányérra, és zárja be az ajtót. Állítsa be az időzítőt úgy, hogy 1 percig főzzön P-100-as mikrohullámú teljesítményszinten.

1. Működés közben bekapcsol a sütő világítása?
2. Működik a hűtő ventilátor? (Tartsa kezét a szellőző nyílások fölé.)
3. Egy perc elteltével megszólal a hangjelzés?
4. A víz felmelegedett a pohárban? Ha bármelyik kérdésre "NEM" a válasz, először ellenőrizze, hogy a sütő be van-e dugva és a biztosíték nem égett ki. Ha mindent rendben talál, ellenőrizze a készüléket az alábbi hibakeresési táblázat alapján.



FIGYELMEZTETÉS: Tilos a sütőt a felhasználónak magának módosítania, illetve javítania! A SHARP képzett szakemberén kívül bárki más számára veszélyes bármilyen szervizelést, vagy javítást eszközölni a készüléken. Tartsa be ezt az utasítást, mivel a mikrohullámú energia ellen védő borítások eltávolításával járhat a szerelés.

- Az ajtó szigetelése megakadályozza a mikrohullámú energia szivárgását a sütő működése közben, de nem nyújt légmentes szigetelést. Normális működés mellett is előfordulhat, hogy páralecsapódást, fényt vagy meleg légáramot érez az ajtó környékén. A magas víztartalmú ételek párolognak, és a pára lecsapódhat az ajtó belsején és kicsepeghet a sütőből.
- Javítás és módosítás: Ne próbálja meg használni a sütőt, ha nem működik megfelelően!
- Külső borítás és hozzáférés a lámpához: Soha ne távolítsa el a készülék külső borítását! A magas feszültség alatt lévő alkatrészek miatt ez különösen veszélyes lehet. Soha ne érjen az alkatrészekhez, mivel halálos áramütést szenvedhet! A sütő nem rendelkezik nyitható hozzáféréssel a lámpához. Ha a világítás elromlik, ne próbálja meg kicserélni az izzót, hívja a SHARP márkaszervizt.

HIBAKERESÉSI SEGÉDTÁBLA

KÉRDÉS	VÁLASZ
Huzat érezhető az ajtó környékén.	A sütő működése közben levegő kering a sütőtérben. Az ajtó nem zár légmentesen, ezért némi levegő kiáramolhat az ajtón.
Pára csapódik le a sütőben, és lefolyik az ajtón.	Általában a sütő belseje hidegebb, mint a készített étel, ezért a főzés közben keletkező gőz lecsapódik a hidegebb felületen. A keletkező gőz mennyisége függ az éppen készített étel víztartalmától. Néhány étel, például burgonya, víztartalma magas. Az ajtó üvegére kicsapódott pára néhány óra elmúltával eltűnik.
Szikrázás vagy villódzó fény főzés közben a sütőtérben.	Ha főzés közben egy fém tárgy közel kerül a sütőtér falához, szikrákat vehet. A szikrázás érdesítheti a sütőtér felületét, de egyébként nem károsítja a sütőt.
Szikrázó burgonya.	Vágjon ki minden hibás részt a burgonyából és szurkálja meg. Helyezze közvetlenül az üvegtátra egy hóálló lapos edényben.
Amikor a sütőt csak grillezési módban használja, észreveheti, hogy a fűtőszál nem mindig látszik úgy, hogy be van kapcsolva.	Ez azért van, mert a grillezéshez használt fűtőszál be- és kikapcsol, hogy a sütő hőmérsékletet az előre beállított maradjon.
Amikor a grillt kombinált módban használja, úgy tűnhet, hogy nincs bekapcsolva.	Kombinált főzési módban (mikrohullám és grill) a sütő átvált a két funkció között. A mikrohullám és a grill funkció nem kapcsol be egyszerre.
A sütő nem működik a START/GYORS START gomb megnyomásakor.	Ellenőrizze, hogy az ajtó jól záródik.
A sütő túl lassan főz.	Győződjön meg róla, hogy megfelelő teljesítményszintet állapított meg.
A sütő zajosan működik.	A mikrohullámú energia be- és kikapcsolásakor búgó hang lehet hallható, ez normális.
Sütés tán a sütő zajt kelt, vagy úgy tűnik, hogy még mindig működik.	A sütési ciklus végén néhány percig bekapcsolva maradhat a ventilátor, hogy lehűtse a sütőt. Ez normális.
A készülék külső felülete forró.	A ház felmelegedhet - ne engedjen gyerekeket a közelébe.
Gomb megnyomásakor az „LoC” felirat jelenik meg a kijelzőn.	30 másodperc elteltével a sütő zárolt módba lép, ekkor egyik gomb sem működik. Nyissa ki, majd csukja be az ajtót, és a gombok újra működni fognak. Ellenőrizze azt is, hogy az egység nincs-e zárolt módban.
Megjelenik a „Fail” felirat a kijelzőn, és percenként sípoló hang hallható a sütőből.	Ha folyamatosan nyomva tartja a vezérlőpanel gombjait több, mint 1 percig, ez történik. Húzza ki a sütő tápkábelét a konnektorból néhány percre, majd csatlakoztassa újra.
A sütő 30 másodpercenként sípol.	A főzés befejezése után, ha nincs kinyitva az ajtó, 30 másodpercenként sípoló hang hallható. A leállításához nyissa ki, majd csukja be az ajtót.

A SZERVIZ HÍVÁSA ELŐTT

Mielőtt szervizelést kér, ellenőrizze az alábbi elemeket:

- Ellenőrizze, hogy a sütő megfelelően van-e bedugva. Ha nem, húzza ki a dugót a konnektorból, várjon 10 másodpercet, majd dugja vissza biztonságosan.
- Ellenőrizze, hogy nincs-e kiégett áramköri biztosíték vagy kioldott fő megszakító. Ha úgy tűnik, hogy ezek megfelelően működnek, tesztelje a konnektort egy másik készülékkel.
- Ellenőrizze, hogy a tápellátás és az időzítő gombok helyesen vannak-e beállítva.
- Ellenőrizze, hogy az ajtó megfelelően be van-e zárva az ajtó biztonsági zárrendszerének bekapcsolásával. Ellenkező esetben a mikrohullámú energia nem áramlik be a sütőbe.

HA A FENTIEK EGYIKE SEM OLDJA MEG A HELYZETET, VÉGYE FEL A KAPCSOLATOT EGY SZERELŐVEL. NE PRÓBÁLJA MEG SAJÁT MAGA BEÁLLÍTANI VAGY MEGJAVÍTANI A SÜTŐT.



Attenzione:

Il prodotto è contrassegnato con questo simbolo. Significa che prodotti elettrici ed elettronici usati non devono essere messi insieme ai rifiuti normali. C'è un sistema di raccolta separato per questi prodotti.



[www.sharpconsumer.com/
contact/](http://www.sharpconsumer.com/contact/)



[www.sharpconsumer.com/
support/](http://www.sharpconsumer.com/support/)



[www.sharpconsumer.com/
documents-of-conformity/](http://www.sharpconsumer.com/documents-of-conformity/)

A. Informazioni sullo smaltimento per gli utilizzatori (uso privato)

1. Nell'Unione Europea

Attenzione: se si vuole disfarsi di questo apparecchio, non utilizzare la normale raccolta di rifiuti!

Apparecchi elettrici ed elettronici usati devono essere smaltiti separatamente e secondo la regolamentazione che richiede un trattamento specifico, il recupero e il riciclaggio di apparecchiature elettriche ed elettroniche.

Secondo le disposizioni degli stati membri, i privati possono restituire all'interno dell'UE i propri apparecchi elettrici ed elettronici usati per raccolte specifiche e senza costi*.

In alcuni paesi* il rivenditore locale può anche ritirare il vostro vecchio prodotto gratuitamente se ne comprate uno simile nuovo.

*) Contattare le autorità locali per ulteriori dettagli.

Se l'attrezzatura elettrica o elettronica è dotata di batterie o accumulatori, smaltirla separatamente in anticipo rispettando le normative locali.

Smaltendo correttamente questo prodotto, fate in modo che i rifiuti subiscano il trattamento, il recupero e il riciclo adeguati; questo previene potenziali effetti negativi sull'ambiente e sulla salute, che potrebbero essere causati da uno smaltimento inappropriato.

2. In altri paesi al di fuori dell'UE

Se si vuole eliminare questo prodotto, contattare le autorità locali e chiedere quali siano le modalità per un corretto smaltimento.

Per la Svizzera: apparecchiature elettriche o elettroniche usate possono essere restituite senza costi al fornitore, anche se non si acquista un nuovo prodotto. Ulteriori agevolazioni per la raccolta sono elencate nella homepage di www.swico.ch o www.sens.ch.

B. Informazioni sul prodotto per utilizzatore business.

1. Nell'Unione Europea

Se questo prodotto è utilizzato per scopi professionali e si desidera eliminarlo:

Contattare il fornitore SHARP, che vi informerà riguardo alle modalità di ritiro del prodotto. Potrebbero esservi addebitati dei costi derivati dal ritiro e dallo smaltimento. Piccoli prodotti (e piccole quantità) potrebbero essere ritirati dagli enti locali di raccolta.

Per la Spagna: contattare il sistema di raccolta ufficiale o le autorità locali per il ritiro dei prodotti usati.

2. In altri paesi al di fuori dell'UE

Se si vuole eliminare questo prodotto, contattare le autorità locali e chiedere quali siano le modalità per un corretto smaltimento.

Per l'assistenza e i diritti di garanzia visita www.sharpconsumer.com/support/ o contatta il rivenditore da cui hai acquistato il prodotto.

Le Dichiarazioni di conformità sono disponibili alla pagina www.sharpconsumer.com/documents-of-conformity/

PRECAUZIONI PER EVITARE UNA POSSIBILE ESPOSIZIONE A ENERGIA A MICROONDE

1. Non tentare di utilizzare questo forno con lo sportello aperto in quanto ciò potrebbe provocare un'esposizione dannosa a energia a microonde. È importante non forzare o manomettere le chiusure di sicurezza.
2. Non inserire nulla tra la superficie anteriore del forno e lo sportello né permettere a detriti o residui di accumularsi sulle superfici di sigillatura.
3. Non utilizzare il forno se è stato danneggiato. È molto importante che lo sportello del forno si chiuda adeguatamente e che non ci siano danni allo sportello, ai cardini, ai blocchi o ai sigilli dello sportello e alle superfici di sigillatura.
4. Non tentare di riparare il forno da sé.

CONTENUTI

ISTRUZIONI IMPORTANTI SULLA SICUREZZA	3
INSTALLAZIONE.....	11
INTERFERENZE RADIO.....	12
ISTRUZIONI SULLA MESSA A TERRA.....	12
SPECIFICHE	12
FORNO E ACCESSORI.....	13
PANNELLO DI CONTROLLO	14
PRIMA DI USARE IL FORNO	15
IMPOSTARE L'OROLOGIO	15
COTTURA A MICROONDE.....	16
AVVIO RAPIDO.....	17
COTTURA GRILL*.....	17
MICROONDE + GRILL*	18
MENU AUTOMATICI	19
SCONGELAMENTO AUTOMATICO.....	22
RISCALDAMENTO AUTOMATICO*.....	22
TIMER DA CUCINA.....	23
FUNZIONE RISPARMIO ENERGETICO	23
FUNZIONE MUTO.....	24
BLOCCO DI SICUREZZA.....	24
BLOCCO BAMBINI	24
PULIZIA E MANUTENZIONE	25
UTENSILI ADATTI.....	26
RACCOMANDAZIONI PER CUCINA A MICROONDE	27
CONSIGLI PER SCONGELAMENTO	29
CONSIGLI PER RISCALDAMENTO	30
RISOLUZIONE DEI PROBLEMI.....	31
PRIMA DI CHIAMARE L'ASSISTENZA	33

* - Solo per modelli con grill.

ISTRUZIONI IMPORTANTI SULLA SICUREZZA

LEGGETE ATTENTAMENTE E CONSERVATELO PER FUTURE CONSULTAZIONI

Per evitare rischi di incendi, il forno a microonde non deve rimanere incustodito durante il funzionamento. Livelli di potenza troppo alti o tempi di cottura troppo lunghi possono surriscaldare il cibo e causare un incendio.

Questo forno è progettato per essere utilizzato solamente su un piano da lavoro. Non è progettato per essere incassato. Non inserire il forno in un armadio.

La presa della corrente deve essere facilmente accessibile in modo da poter facilmente staccare l'unità in caso di emergenza.

La tensione di alimentazione del forno deve essere di 230-240 V, 50 Hz, con un fusibile del quadro di distribuzione di un minimo di 10 A, o un salvavita di un minimo di 10 A. Dovrebbe essere fornito un circuito separato solo per questo apparecchio.

Non collocare il forno in aree dove viene generato calore. Ad esempio, vicino a un forno convenzionale. Non installare il forno in un'area ad alta umidità o dove si possa accumulare acqua. Non conservare o usare il forno all'aperto.

Qualora il forno dovesse produrre fumo, spegnerlo o scollegare la spina dalla presa di corrente, mantenendo inoltre lo sportello chiuso in modo da soffocare le eventuali fiamme.

Usa soltanto contenitori e utensili adatti alle microonde. Bisogna controllare che gli utensili siano appropriati all'uso in forni a microonde.

Quando si riscalda il cibo in contenitori di plastica o carta, tieni d'occhio il forno poiché c'è la possibilità di ignizione.

Dopo l'uso, pulisci sempre il coperchio guida onde, la cavità del forno, il piatto rotante: devono essere asciutti

e senza tracce di grasso. Gli accumuli di grasso possono surriscaldarsi, fumare o infiammarsi.

Non mettere materiali infiammabili vicino al forno o alle aperture di ventilazione. Non ostruire le aperture di ventilazione.

Togliere dal cibo e dal suo involucro i sigilli e fili di chiusura metallici. La formazione di archi elettrici sulle superfici metalliche può causare un incendio.

Non usare il forno a microonde per friggere o riscaldare l'olio di frittura. La temperatura in tal caso non può essere controllata e può prendere fuoco.

Per fare i pop corn, usate esclusivamente quelli prodotti per i microonde.

Non conservare cibo od oggetti all'interno del forno.

Controllare le impostazioni dopo aver avviato il forno, per accertarsi che esso funzioni nel modo desiderato.

Non lasciare il forno senza supervisione mentre è in funzione.

Per evitare surriscaldamento o incendio, prestare molta attenzione alla cottura o al riscaldamento di cibi che contengono molto zucchero o sostanze grasse, quali ad esempio salsicce, pasticci di carne o dolci. Leggi i suggerimenti corrispondenti nel manuale d'uso.

Per evitare il rischio di lesioni. ATTENZIONE:

Non usare il forno se è danneggiato o non funziona normalmente. Controllare quanto segue prima di continuare ad usarlo:

- a) Assicurarsi che lo sportello si chiuda correttamente e che non sia fuori sesto o deformato.
- b) Controllare per assicurarsi che i cardini e i blocchi di sicurezza dello sportello non siano rotti o allentati.
- c) Assicurarsi che le guarnizioni e le superfici di tenuta dello sportello non siano danneggiate.

d) Assicurarsi che l'interno del forno o lo sportello non siano ammaccati.

e) Assicurarsi che il cavo di alimentazione e la sua spina non siano danneggiati.

Lo sportello o le relative guarnizioni si danneggiano, non usare il forno sino all'avvenuta riparazione da parte di personale competente.

Non cercare mai di adattare, riparare o modificare il forno da soli. Qualsiasi intervento di assistenza o riparazione dell'apparecchio che richieda la rimozione della copertura di protezione dall'esposizione diretta alle microonde deve essere effettuato esclusivamente da personale specializzato.

Non mettere in funzione il forno con lo sportello aperto né alterare la serratura di sicurezza del forno in alcun modo. Non azionare il forno in caso sia presente un oggetto tra le guarnizioni dello sportello e le superfici isolanti.

Non fare in modo che grasso o sporco si formino sulle guarnizioni e le parti adiacenti. Pulire regolarmente il forno e togliete i residui di cibo.

Seguire le istruzioni per "Cura e pulizia". La mancata pulizia del forno potrebbe danneggiare la superficie e quindi influire sulla durata dell'elettrodomestico e creare situazioni pericolose.

Chi porta uno PACEMAKER deve rivolgersi al medico o al fabbricante del pacemaker riguardo alle precauzioni da prendere per l'uso del forno a microonde.

Per evitare il rischio di scosse elettriche.

- La copertura esterna del forno non deve assolutamente essere smontata.
- Non inserire alcun oggetto nelle aperture di ventilazione del forno. In caso di ingresso di liquidi, spegnere immediata-

mente il forno, staccare il cavo di alimentazione e chiamare un tecnico di assistenza SHARP autorizzato.

- Non immergere il cavo di alimentazione o la sua spina nell'acqua o in altro liquido.
- Non lasciare pendere il cavo di alimentazione dal bordo di un tavolo o piano di lavoro.
- Tenere il cavo di alimentazione lontano da superfici riscaldate, compresa la parte posteriore del forno.
- Tenere l'elettrodomestico e il suo cavo fuori dalla portata di bambini minore di 8 anni.
- Non cercare di sostituire da soli la lampadina del forno, e non farla sostituire da chi non sia un tecnico SHARP autorizzato. Se la lampadina si fulmina, rivolgersi al rivenditore o a un concessionario SHARP autorizzato.
- Se il cavo di alimentazione è danneggiato, deve essere sostituito da un agente di servizio SHARP autorizzato.

AVVERTENZA: liquidi e altri cibi non devono essere riscaldati in contenitori sigillati poiché questi potrebbero esplodere. Riscaldare bevande a microonde può sfociare in un bollire eruttivo ritardato; pertanto, bisogna fare attenzione quando si maneggia il contenitore. Per evitare esplosioni o bolliture improvvise:

Non usare mai recipienti sigillati. Togliere i sigilli e coperchi prima dell'uso. I recipienti sigillati possono esplodere a causa dell'aumento della pressione, anche dopo lo spegnimento del forno. Fare attenzione a usare il forno a microonde con i liquidi. Usare recipienti con grandi aperture che permettano la fuoriuscita delle bolle d'aria.

Non riscaldare mai liquidi in recipienti con collo stretto, come i biberon, perché potrebbe verificarsi una fuoriuscita del contenuto dal contenitore quando vengono riscaldati, con pericolo di bruciature.

Per evitare improvvise eruzioni di liquido bollente con possibili bruciature:

1. Predisporre un periodo di tempo non eccessivamente lungo.
2. Mescolare bene il liquido prima di cuocere o riscaldare.
3. Durante il riscaldamento si consiglia di porre nel liquido un'asticciola di vetro o uno strumento simile (purché non di metallo).
4. Lasciar riposare il liquido nel forno per almeno 20 secondi al termine del tempo di cottura per evitare l'eruzione ritardata della bollitura.

Non usare il forno a microonde per cuocere le uova con il guscio né per riscaldare le uova sode intere, perché potrebbero esplodere anche dopo la fase di riscaldamento. Per cucinare o riscaldare le uova che non sono state strapazzate, foratene il tuorlo e l'albume. Sgusciate e affettate le uova assodate prima di riscaldarle nel forno a microonde.

Forare la buccia di cibi come patate, salsicce e frutta prima di cuocere, altrimenti possono esplodere.

ATTENZIONE: al fine di evitare scottature, prima del consumo si raccomanda di agitare bene il contenuto di biberon o di vasetti per l'alimentazione dei bambini, nonché di controllarne la temperatura. Usare presine o guanti da forno quando si rimuove il cibo dal forno per prevenire ustioni. Per evitare il rischio di scottature:

- Aprire sempre contenitori, preparazioni per popcorn, borse per cottura al forno, ecc., lontano da viso e mani per evitare ustioni da vapore e zampilli di liquidi bollenti. Per evitare le ustioni, testare sempre la temperatura degli alimenti e agitare prima di servire e prestare particolare attenzione alla temperatura degli alimenti e delle bevande dati a bambini o

anziani. Le parti accessibili possono scaldarsi durante l'uso. I bambini piccoli devono essere tenuti lontano.

- La temperatura del contenitore non è una veritiera indicazione della temperatura del cibo o della bevanda; controllare sempre la temperatura del cibo.
- Per evitare le scottature causate dalla fuoriuscita del vapore e del calore, allontanarsi dallo sportello del forno durante l'apertura.
- Per far uscire il vapore ed evitare ustioni, praticare alcune incisioni sui cibi ripieni riscaldati.
- Tenere i bambini lontano dallo sportello per impedire che si ustionino.

ATTENZIONE: permettete l'utilizzo del forno ai bambini dagli 8 anni in su senza supervisione solamente dopo aver dato le necessarie istruzioni, in modo che il bambino sia in grado di utilizzare il forno in tutta sicurezza e abbia capito i pericoli di un uso improprio.

Quando l'elettrodomestico è in funzione nelle modalità GRILL, MIX GRILL, CONVEZIONE, MIX CONVEZIONE e MENU AUTO (modalità applicabile a seconda del modello), i bambini dovrebbero utilizzarlo solo con la supervisione di un adulto a causa della temperatura generata.

Questo apparecchio non è inteso per l'utilizzo da parte di persone (compresi bambini) che abbiano ridotte capacità fisiche, sensoriali o mentali, mancanza di esperienza e conoscenze, a meno che non siano state date loro supervisione o istruzioni riguardo l'utilizzo dell'apparecchio da parte di una persona responsabile della loro sicurezza.

I bambini dovrebbero essere supervisionati per assicurarsi che non giochino con l'apparecchio. La pulizia da parte dei bambini deve essere monitorata.

I modelli con pannello touch elettronico sono dotati di una modalità blocco per bambini.

Non appoggiarsi o far dondolare lo sportello. Non giocare col forno né usarlo come se fosse un giocattolo.

Illustrare ai bambini le norme di sicurezza: insegnare loro ad usare le presine per togliere i piatti dal forno, a rimuovere con precauzione i coperchi e, in particolare, gli involucri (ad esempio i materiali autoriscaldanti) usati per rendere il cibo croccante, in quanto possono diventare estremamente caldi.

Altri avvertimenti

Non modificare in alcun modo il forno.

Non spostare il forno mentre sta funzionando.

Questo apparecchio è pensato per l'uso casalingo. Questo forno è progettato per la preparazione di cibo in casa e può essere usato soltanto per cucinare cibo e bevande. Asciugare cibo o tessuti o scaldare cuscini, pantofole, spugne, panni umidi o oggetti simili può provocare il rischio di lesioni, scintille o fiamme. Non è adatto all'uso commerciale o in laboratorio.

Per evitare difetti di funzionamento o danni al forno:

Non azionare il forno quando è vuoto. Usando un piatto per rosolare i cibi, o del materiale autoriscaldante, mettere sempre sotto di esso del materiale isolante resistente al calore, come un piatto di porcellana, per evitare danni alla base del forno a causa del calore. Non dovete inoltre superare il tempo di preriscaldamento specificato nelle istruzioni del piatto.

Non utilizzare utensili in metallo, che riflettono le microonde e possono causare archi elettrici. Non mettere lattine nel forno.

Per prevenire la rottura del piatto rotante o della base del forno:

- a) Prima di pulire con acqua, attendere che si sia raffreddato.
- b) Non mettere cibo o utensili caldi o freddi sul piatto rotante freddo o sulla base del forno fredda.
- c) Non mettere alcun oggetto sul mobile esterno durante il funzionamento del forno.

NOTA:

Non utilizzare contenitori di plastica per la cottura a microonde se il forno è ancora caldo dopo l'utilizzo di una modalità combinata (a seconda del modello del forno) perché potrebbero sciogliersi.

I contenitori di plastica non devono essere usati nelle funzioni sopra citate, a meno che il produttore degli stessi contenitori non affermi che essi siano adatti a questo tipo di utilizzo.

Se non siete sicuri su come collegare il vostro forno, consultare un elettricista autorizzato e qualificato.

Né il produttore né il rivenditore si fanno carico di alcuna responsabilità per danni al forno o per lesioni personali derivanti dal mancato rispetto della procedura di collegamento elettrico.

Si possono talvolta formare del vapore acqueo o delle gocce sulle pareti del forno o attorno alle guarnizioni e alle superfici di tenuta. Ciò è del tutto normale e non è indice di malfunzionamento o di perdita.

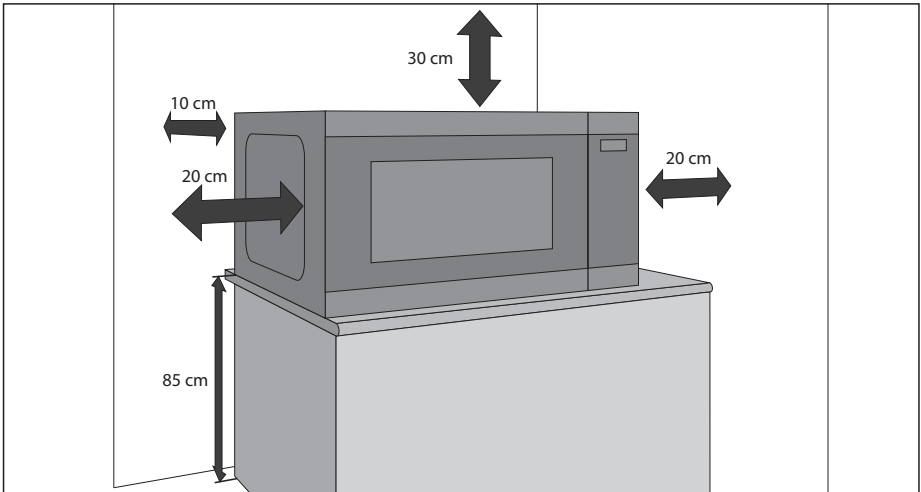
Questo apparecchio è progettato per l'uso domestico e in applicazioni simili, come: aree cucina riservate allo staff in negozi, uffici e altri ambienti professionali; fattorie; uso da parte di clienti in hotel, motel e altri ambienti di tipo residenziale; ambienti tipo bed and breakfast.



Questo simbolo sta a significare che le superfici potrebbero diventare calde durante l'utilizzo.

INSTALLAZIONE

1. Togliere tutto il materiali all'interno del forno e togliete tutte le pellicole protettive dal microonde e sulla sua superficie.
2. Controllare con attenzione che il forno non sia danneggiato.
3. Posizionare il forno su di una superficie sicura e piana, resistente a sufficienza per sostenere il peso del forno e il più pesante elemento possibile che possa esservi cucinato. Non mettere il forno in un armadio.
4. Scegliere una superficie che dia sufficiente spazio alle ventole di ingresso e uscita. Vedere l'immagine nella prima pagina. La parte posteriore dell'elettrodomestico deve essere posizionata contro il muro.
 - L'altezza minima per l'installazione è 85 cm.
 - È richiesto uno spazio minimo di 20 cm tra i lati del forno a microonde e qualunque parete adiacente.
 - Lasciare almeno 30 cm di spazio sopra il forno.
 - Non togliere i piedini da sotto il forno.
 - Bloccare la presa e/o i bocchettoni di sfogo potrebbe danneggiare il forno.
 - Posizionare il forno il più lontano possibile da radio e televisori. Il funzionamento del microonde potrebbe causare interferenze con la radio o il televisore.



5. Inserire la spina del cavo di alimentazione del forno in una presa a muro standard a massa.

AVVERTENZE:

Non posizionare il forno in un posto in cui si producono calore, condensa o grande umidità (per esempio vicino o sopra un normale forno) o vicino a materiali combustibili (per esempio tende).

Non bloccare od ostruire le bocche di areazione.

Non appoggiare oggetti sopra il forno.

Non toccare l'esterno del forno a microonde durante o poco dopo l'utilizzo, poiché sarà caldo.

INTERFERENZE RADIO

L'utilizzo del forno a microonde può provocare interferenze a radio, televisori o apparecchi simili. Quando si verificano tali interferenze, possono essere ridotte o eliminate prendendo le seguenti misure:

1. Pulire lo sportello e l'interno nel punto in cui si incrociano.
2. Cambiare la direzione dell'antenna di ricezione della radio o del televisore.
3. Cambiare la posizione del forno a microonde rispetto al ricevitore.
4. Collegare la spina del forno a microonde in una presa diversa in modo che il forno a microonde e il ricevitore non siano connessi alla stessa presa.

ISTRUZIONI SULLA MESSA A TERRA

Questo apparecchio deve essere connesso alla messa a terra. Questo forno è dotato di un cavo con un filo per la messa a terra con una spina appropriata. Deve essere connessa a una presa a muro che sia stata installata e collegata alla terra correttamente. Nel caso di un corto circuito elettrico, la messa a terra riduce il rischio di scosse elettriche fornendo una fuga per la corrente. Si raccomanda di usare una presa dedicata soltanto a questo forno.



ATTENZIONE: l'uso improprio della spina con messa a terra può provocare rischi di scosse elettriche.

NOTA:

1. In caso di domande sulla messa a terra o istruzioni elettriche, consultare un elettricista qualificato o un addetto all'assistenza.
2. Né il produttore né il rivenditore si fanno carico di alcuna responsabilità per danni al forno o per lesioni personali derivanti dal mancato rispetto della corretta procedura di collegamento elettrico.

Il circuito usato nel forno a microonde usa i seguenti colori per i fili:

Verde e giallo = TERRA

Blu = NEUTRALE

Marrone = CONDUTTORE

SPECIFICHE

Nome del modello:		YC-PS204A	YC-PS234A	YC-PS254A	YC-PG204A	YC-PG234A	YC-PG254A	YC-PG284A
Tensione linea AC		230~240 V, 50 Hz singola fase						
Fusibile linea distribuzione/interruttore di circuito		10 A						
Corrente:	Microonde	700 W	900 W	900 W	700 W	900 W	900 W	900 W
	Griglia				900 W	1000 W	1000 W	1000 W
	Modalità spento	<0,5 W						
	Modalità risparmio energetico	>0,5 W						
	Tensione di alimentazione CA richiesta	1200 W	1400 W	1400 W	1400 W	1400 W	1400 W	1400 W
Frequenza microonde		2450 MHz*						
Dimensioni esterne (S) x (A) x (A) mm		455 x 274 x 334	483 x 281 x 377	483 x 281 x 403	455 x 274 x 345	483 x 281 x 395	483 x 281 x 403	539 x 309 x 441
Dimensioni cavità (S) x (A) x (A)** mm		315 x 198 x 297	340 x 220 x 320	340 x 220 x 344	315 x 198 x 297	340 x 220 x 320	340 x 220 x 344	354 x 220 x 358
Capacità forno		20 litri**	23 litri**	25 litri**	20 litri**	25 litri**	25 litri**	28 litri**
Diametro piatto rotante		245 mm	270 mm	270 mm	245 mm	270 mm	270 mm	325 mm
Dimensioni griglia grill (L) x (P) mm					190 x 79	80 x 208	80 x 208	89 x 285
Peso		circa 10,5 kg	circa 12,9 kg	circa 13,5 kg	circa 10,9 kg	circa 13,9 kg	circa 13,7 kg	circa 16,6 kg
Lampada del forno (tipo LED)		1,5 W						

* - Questo prodotto soddisfa i requisiti dello standard europeo EN55011. In conformità con questo standard, questo prodotto è classificato come apparecchiatura di gruppo 2 classe B.

Gruppo 2 significa che l'apparecchiatura genera intenzionalmente energia a radiofrequenza nella forma di radiazione elettromagnetica per il trattamento al calore degli alimenti.

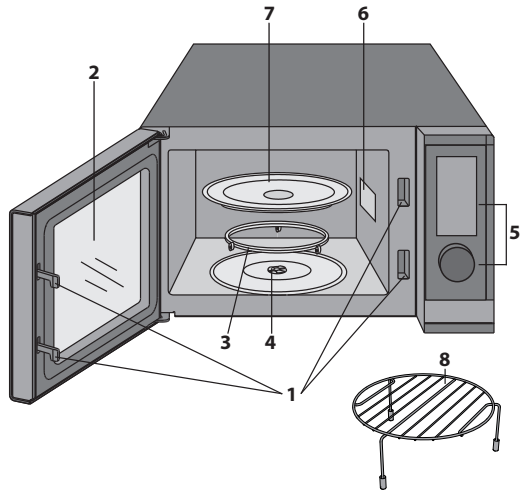
Apparecchiatura di classe B significa che l'apparecchiatura è idonea per l'uso domestico.

** - La capacità interna è calcolata misurando larghezza, profondità e altezza massime. Lo spazio a disposizione per gli alimenti è inferiore.

NEL QUADRO DELLA NOSTRA POLITICA DI MIGLIORAMENTO CONTINUO, LE SPECIFICHE TECNICHE POSSONO ESSERE MODIFICATE SENZA COMUNICAZIONE PREVENTIVA.

FORNO E ACCESSORI

1. Sistema di blocco di sicurezza dello sportello
2. Sportello del forno
3. Anello a rotelle
4. Giunto del piatto rotante
5. Manopola e pulsanti di controllo
6. Coperchio guida onde (NON TOGLIERE)
7. Vassoio di vetro
8. Griglia per grill per YC-PG204A, YC-PG234A, YC-PG254A e YC-PG284A
9. Aperture di ventilazione
10. Rivestimento esterno
11. Cavo per l'alimentazione



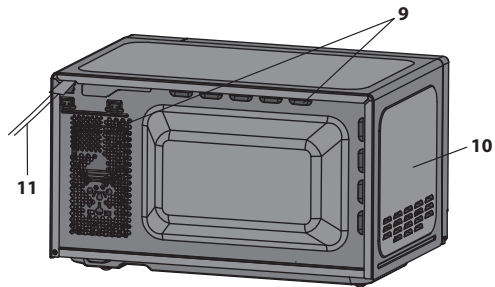
Accertarsi che i seguenti accessori siano presenti:

Solo forni con grill

- **Griglia per grill:** solo per l'uso nella cottura in funzione grill.
- La griglia per grill è progettata per l'uso solo con forni a grill. NON usare la griglia quando si utilizza la funzione microonde.
- Per l'uso della griglia per grill, consultare le sezioni relative al grill di questo manuale.


Non toccare mai il grill quando è caldo.

NOTA: Ordinando gli accessori, indicare due elementi: nome della parte e il nome del modello.



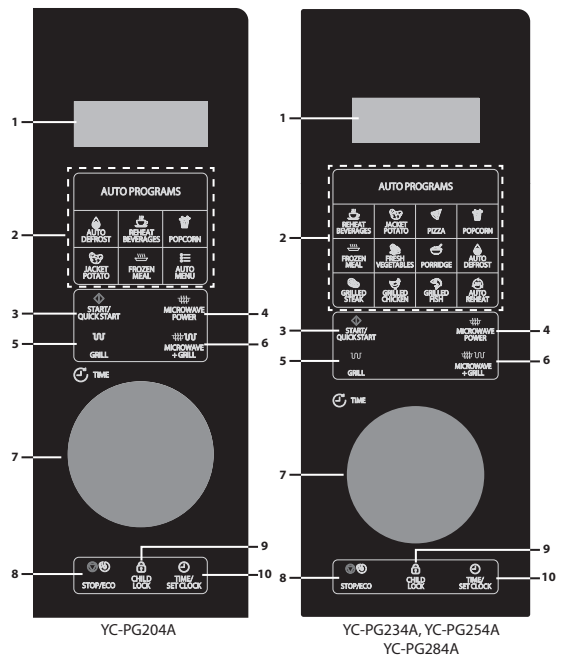
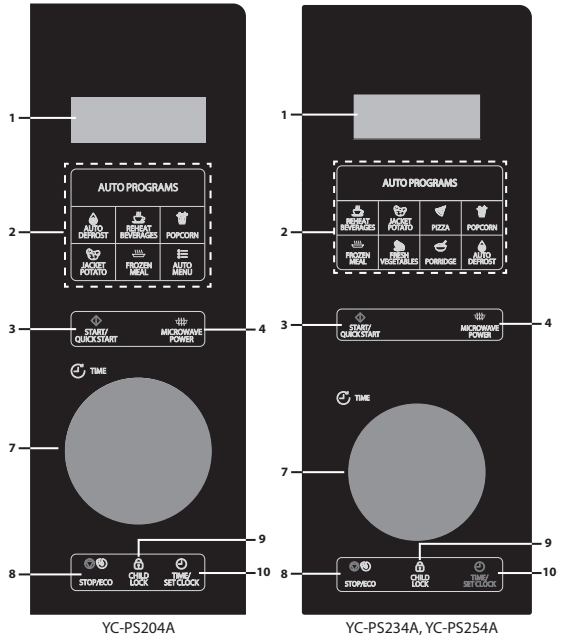
NOTE:

- Dopo aver cucinato cibi grassi senza un coperchio, pulite sempre l'interno, che deve essere asciutto e senza tracce di grasso. L'accumulo di grasso potrebbe surriscaldarsi, fumare o prendere fuoco.
- Durante la cottura a microonde, collocare sempre le stoviglie sul piatto rotante.
- NON utilizzare la griglia per grill con la funzione microonde.

⚠ ATTENZIONE:  questo simbolo indica che le superfici possono diventare bollenti durante l'uso. Lo sportello, il cabinato esterno, la cavità del forno, accessori e piatti divengono molto caldi durante il funzionamento. Per prevenire le ustioni, usare sempre spessi guanti da forno.

PANNELLO DI CONTROLLO

- DISPLAY DIGITALE:** mostra tempo di cottura, potenza, indicatori e orario.
- Tasti MENU AUTO:** premere per selezionare il menu di cottura automatica. (Consultare pagina 19 per suggerimenti sull'uso).
- START/QUICK START (AVVIO/AVVIO RAPIDO):** (pagina 17).
- MICROWAVE POWER (POTENZA MICROONDE):** premere per selezionare il livello di potenza delle microonde. (Pagina 16).
- GRILL:** premere per impostare il programma di cottura grill. (Pagina 17).
- MICROWAVE+GRILL (MICROONDE+GRILL):** premere per impostare il programma di cottura con combinazione di microonde e grill. (Pagina 18).
- MANOPOLA:** ruotare in senso orario o antiorario per impostare le varie funzioni.
- STOP/ECO –** premere una volta per fermare temporaneamente la cottura, o due volte per annullare del tutto la cottura. Usare per impostare la modalità di risparmio energetico. (Pagina 23).
- CHILD LOCK (BLOCCO PER BAMBINI):** (pagina 24).
- TIME/SET CLOCK (ORA/IMPOSTA OROLOGIO):** usare per impostare l'orario. Usare per impostare la funzione timer. (Pagina 15).



PRIMA DI USARE IL FORNO

Quando il forno viene connesso all'alimentazione per la prima volta, si udirà un segnale acustico e il display mostrerà "1:00". Bisogna tenere presente che l'orologio non deve necessariamente essere impostato il forno funzioni correttamente. Per impostare l'orario, seguire le istruzioni nella sezione "Impostare l'ora" di questo manuale utente. Quando è nuovo, la prima volta che viene usato il grill, verranno emessi fumo e odori. Per evitare che questo accada mentre si cuoce il cibo, usare la funzione grill per circa 20 minuti.

- Dopo l'apertura e la chiusura dello sportello, il forno entrerà in modalità stand-by. Se non viene premuto alcun pulsante entro 1 minuto, il display resterà acceso e i pulsanti non funzioneranno. Per entrare nuovamente in modalità stand-by, aprire e chiudere lo sportello.
- Durante la cottura, se il pulsante **STOP/ECO** viene premuto una volta, il ciclo di cottura verrà messo in pausa. Per riavviare al cottura premere il pulsante **AVVIO/AVVIO RAPIDO**. Se il pulsante **STOP/ECO** viene premuto due volte, verrà cancellata la cottura..
- Quando si programma il forno per una funzione in particolare e c'è una pausa tra le pressioni dei pulsanti di oltre 30 secondi, il forno tornerà alla modalità stand-by.
- Quando si completa un ciclo di cottura, il display mostrerà "End" (Fine) e verrà emesso un segnale acustico ogni due minuti finché non viene premuto un pulsante o non viene aperto lo sportello.

IMPOSTARE L'OROLOGIO

Questo forno ha un orologio che può essere usato in modalità da 12 o 24 ore. Per impostare l'orologio, seguire le seguenti istruzioni.

1. In modalità stand-by, premere e tenere premuto **ORA/IMPOSTA OROLOGIO** per almeno 3 secondi per entrare nella modalità di impostazione dell'orologio.
 2. Premere il pulsante **ORA/IMPOSTA OROLOGIO** per selezionare la modalità oraria da 12 o 24 ore.
 3. Ruotare la **MANOPOLA** per impostare l'orario. Premere il pulsante **ORA/IMPOSTA OROLOGIO** per memorizzare.
 4. Ruotare la **MANOPOLA** per impostare i minuti. Premere il pulsante **ORA/IMPOSTA OROLOGIO** per memorizzare e uscire dalla modalità di impostazione dell'orologio.
- Non è necessario impostare l'orologio perché il forno funzioni normalmente.
 - In modalità cottura, premere il pulsante **ORA/IMPOSTA OROLOGIO** per vedere l'ora del giorno (se impostata). L'ora passerà di nuovo al conteggio della cottura dopo cinque secondi. Bisogna tenere presente che l'ora non può essere visualizzata se è stato impostato il timer.

COTTURA A MICROONDE

Per usare la funzione microonde, seguire le istruzioni di seguito:

1. In modalità stand-by, premere il pulsante **POTENZA MICROONDE** per selezionare il livello di potenza. Ogni volta che viene premuto il pulsante, il display mostrerà il livello di potenza delle microonde.
2. Una volta selezionato il livello desiderato di potenza delle microonde, ruotare la **MANOPOLA** per selezionare la durata della cottura.
3. Premere il tasto **AVVIO/AVVIO RAPIDO** per iniziare a cuocere.
4. Quando si completa un ciclo di cottura, il display mostrerà "End" (Fine) e verrà emesso un segnale acustico ogni due minuti finché non viene premuto un pulsante o non viene aperto lo sportello.

Si tenga presente che la tabella di seguito è a scopo di guida. Il forno ha 10 livelli di potenza delle microonde: 10%, 20%, 30%, 40%, 50%, 60%, 70%, 80%, 90% e 100%. Il wattaggio effettivo emesso può essere calcolato moltiplicando la potenza delle microonde per la percentuale.

Guida alla cottura a microonde:

Display	Potenza microonde	Uso consigliato
P100	100 %	Impostazione usata per la cottura rapida o per riscaldare, ad es. per pasticci, bevande calde, verdure, ecc.
P-80	80 %	Per cibi densi che richiedono una cottura prolungata quando cucinati in modo convenzionale (ad esempio la carne di manzo). Si raccomanda di utilizzare questa impostazione per ottenere una carne tenera.
P-60	60 %	Per cotture più lunghe di cibi densi come arrosto, polpettone e pasti impiattati, nonché per piatti delicati come salsa al formaggio e torte spugnose.
P-40	40 %	Per scongelare; selezionare questa potenza per assicurarvi che il cibo si scongeli uniformemente. Questa impostazione è ideale anche per far cuocere a fuoco lento riso, pasta, tortellini e per creme all'uovo.
P-20	20 %	Per scongelamento delicato, per esempio per dolci al cucchiaino o pasticcini.

- Durante la cottura è possibile controllare il livello di potenza della cottura premendo e tenendo premuto il pulsante **POTENZA MICROONDE**.
- Il tempo massimo di cottura è 95 minuti.

AVVIO RAPIDO

Se c'è bisogno di cuocere al 100% di potenza, basta premere il pulsante **AVVIO/AVVIO RAPIDO** sulla **MANOPOLA** mentre si è in modalità stand-by. A ogni pressione del pulsante **AVVIO/AVVIO RAPIDO**, verranno aggiunti 30 secondi al tempo di cottura.

COTTURA GRILL*

L'elemento riscaldante Grill nella parte alta dell'interno del forno ha soltanto un'impostazione di potenza, che è efficiente ed economica. Il grill è ideale per la cottura di pancetta, bistecche di prosciutto, bocconcini di pesce e biscotti da tè.

Usare la griglia del grill per grigliare cibi piccoli, come pancetta e salsicce, capovolgere a metà cottura. Il cibo può essere collocato direttamente sulla griglia o in un piatto flan oppure su un piatto termoresistente. Per evitare che goccioli olio o grasso dal cibo in cottura, assicurarsi che sotto la griglia del grill sia collocato un piatto adeguato. Quando si vuole imbrunire e rendere croccante la superficie di cibi in una casseruola, la griglia del grill può essere usata se il contenitore è abbastanza poco profondo. Tuttavia, si consiglia di collocare tali contenitori direttamente sul piatto ruotante e aggiungere un po' di tempo in più per imbrunire e rendere croccante come desiderato. Non è possibile usare la griglia del grill per grigliare.

Per usare la funzione grill, seguire le istruzioni di seguito:

1. In modalità stand-by, premere il pulsante **GRILL** per selezionare la funzione grill. Il display mostrerà **"Grill"**
2. Ruotare la **MANOPOLA** per selezionare il tempo di cottura.
3. Premere il tasto **AVVIO/AVVIO RAPIDO** per iniziare a cuocere.
4. Quando si completa un ciclo di cottura, il display mostrerà **"End"** (Fine) e verrà emesso un segnale acustico ogni due minuti finché non viene premuto un pulsante o non viene aperto lo sportello.

**- Solo per modelli con grill.*

MICROONDE + GRILL*

Usare sia la funzione microonde che grill è possibile per dorare e cuocere rapidamente il cibo. Per usare la funzione microonde e grill, seguire le istruzioni di seguito:

1. In modalità stand-by, premere il pulsante **MICROONDE + GRILL** una volta o due per selezionare "Co-1" o "Co-2".
2. Ruotare la **MANOPOLA** per selezionare il tempo di cottura.
3. Premere **AVVIO/MINUTO QUICK** per avviare.
4. Quando si completa un ciclo di cottura, il display mostrerà "End" (Fine) e verrà emesso un segnale acustico ogni due minuti finché non viene premuto un pulsante o non viene aperto lo sportello.

Funzione microonde + grill

Display	Output	Uso consigliato
Co-1	70% grill / 30% microonde	Pezzi di pollo, petti di pollo, bocconi di maiale
Co-2	56% grill / 44% microonde	Pollo intero

- Il tempo di cottura massimo con il grill è 95 minuti.
- Durante la grigliatura permettere al fumo e agli odori di disperdersi aprendo una finestra o attivando la cappa della cucina. Questo è un comportamento normale e non un difetto del forno.
- Durante la cottura puoi controllare la combinazione attuale di potenza di cottura toccando il pulsante **MICROONDE + GRILL**.
- Quando si usa la funzione grill, il grill si accenderà e spegnerà a intervalli regolari per prevenire il surriscaldamento.
- Quando si usa la funzione MICROONDE + GRILL, il cibo può essere collocato in un contenitore adatto direttamente sul piatto rotante del forno o sulla griglia del grill fornita.

ATTENZIONE: lo sportello, la copertura esterna, l'interno e gli accessori diventano molto caldi durante il funzionamento. Per evitare bruciature, usate sempre guanti da forno.

* - Solo per modelli con grill.

MENU AUTOMATICI

Per una questione di comodità, i programmi automatici permettono al cibo di essere cotto rapidamente e in maniera efficace con sole poche pressioni di pulsanti. Non è necessario programmare la durata o la potenza della cottura: tutto ciò che serve è premere il pulsante di cottura automatica, indicare il peso/i pezzi ruotando la **MANOPOLA** e poi premere il pulsante **AVVIO/AVVIO RAPIDO**.

Per esempio, per cuocere due patate al cartoccio.

1. Aprire lo sportello e collocare il cibo all'interno del forno usando delle stoviglie adeguate al ciclo di cottura usato.
2. Chiudere lo sportello.
3. Premete una volta il tasto **PATATA AL CARTOCCIO**.
4. Ruotare la **MANOPOLA** per indicare il numero di patate.
5. Premere **AVVIO/AVVIO RAPIDO**.
6. Quando si completa un ciclo di cottura, il display mostrerà "End" (Fine) e verrà emesso un segnale acustico ogni due minuti finché non viene premuto un pulsante o non viene aperto lo sportello.

Menu cottura automatica:

Programma automatico	Dimensioni/peso
Pasto congelato Scongelamento automatico Riscaldamento automatico	Selezionare il peso ruotando la MANOPOLA . Cibo congelato e riscaldamento automatico (da 200 g a 800 g), scongelamento automatico (da 100 g a 1800 g)
Riscaldare bevande	Selezionare il numero di tazze (200 ml ciascuna) ruotando la MANOPOLA . Da 1 a 3 tazze.
Patate al forno	Selezionare il numero di patate (230 ml ciascuna) ruotando la MANOPOLA . Da 1 a 3 patate.
Pizza	Selezionare il peso della pizza (150 g / 300 g / 450 g) ruotando la MANOPOLA .
Popcorn	Selezionare il numero di confezioni di popcorn (100 g ciascuna) ruotando la MANOPOLA .
Verdure fresche	Selezionare il peso delle verdure (da 200 g a 600 g) ruotando la MANOPOLA .
Porridge	Selezionare il peso del porridge (in grammi) ruotando la MANOPOLA . Da 50g a 150g.
Bistecca alla griglia (solo modalità grill)	Selezionare il peso della bistecca (da 200 g a 600 g) ruotando la MANOPOLA .
Pollo alla griglia (solo modalità grill)	Selezionare il peso del pollo (da 200 g a 600 g) ruotando la MANOPOLA .
Pesce alla griglia (solo modalità grill)	Selezionare il peso del pesce (da 200 g a 600 g) ruotando la MANOPOLA .

- Il risultato della cottura automatica dipende da fattori quali la forma e la dimensione del cibo, le preferenze personali in termini di cottura di certi cibi e come il cibo viene collocato nel forno. Se il risultato della cottura non è soddisfacente, regolare il tempo di cottura di conseguenza.

Nota: il pulsante Menu automatici è usato solo sui modelli YC-PG204A e YC-PS204A. A ogni pressione del pulsante Menu automatici, il display mostrerà il programma automatico come indicato nella tabella precedente. Quando viene trovato il menu automatico desiderato, ruotare la **MANOPOLA** per selezionare il peso del cibo da cuocere.

Dettagli del programma automatico

Alimenti	Quantità	Temperatura iniziale	Tecnica di cottura
Riscaldare bevande	Da 1 a 3 tazze 1 tazza = 200 ml	Ambiente	<ol style="list-style-type: none"> 1. Mettere la bevanda da riscaldare al centro del piatto girevole di vetro del microonde. 2. Chiudere lo sportello e premere il pulsante RISCALDA BEVANDE e selezionare il numero di tazze ruotando la MANOPOLA. 3. Premere il pulsante AVVIO/AVVIO RAPIDO per iniziare la cottura. 4. Quando il timer si ferma, togliere la bevanda. Prestare attenzione perché la bevanda sarà calda.
Patate al forno	Da 1 a 2 patate 1 patata = 230±10 g	Ambiente	<ol style="list-style-type: none"> 1. Lavare e asciugare le patate e forare la superficie delle patate con una forchetta per più volte. 2. Mettere le patate al centro del piatto girevole di vetro del microonde. 3. Chiudere lo sportello e premere il pulsante JACKET POTATO e selezionare il numero di patate ruotando la MANOPOLA. 4. Premere il pulsante AVVIO/AVVIO RAPIDO per iniziare la cottura. 5. Quando il timer si ferma, togliere le patate dal forno. Prestare attenzione perché gli alimenti sono caldi.
Pizza	Da 150 a 450 g	Alimenti congelati -18 °C	<ol style="list-style-type: none"> 1. Mettere la pizza sul piatto del microonde al centro del piatto girevole di vetro del microonde. 2. Chiudere lo sportello e premere il pulsante PIZZA e selezionare il peso ruotando la MANOPOLA. 3. Premere il pulsante AVVIO/AVVIO RAPIDO per iniziare la cottura. 4. Quando il timer si ferma, togliere la pizza dal forno. Prestare attenzione perché gli alimenti sono caldi.
Popcorn	100 g	Ambiente	<ol style="list-style-type: none"> 1. Mettere il popcorn al centro del piatto girevole del microonde. 2. Chiudere lo sportello e premere il pulsante POPCORN. 3. Premere il pulsante AVVIO/AVVIO RAPIDO per iniziare la cottura. 4. Quando il timer si ferma, togliere il popcorn dal forno. Prestare attenzione perché gli alimenti sono caldi.
Pasto congelato	Da 200 a 800 g	Alimenti congelati -18 °C	<ol style="list-style-type: none"> 1. Mettere il nostro pasto congelato nel piatto idoneo al microonde e coprire con un incarto di plastica; creare dei fori nella plastica. 2. Mettere il piatto al centro del piatto girevole di vetro del microonde. 3. Chiudere lo sportello e premere il pulsante PASTO CONGELATO e selezionare il peso ruotando la MANOPOLA. 4. Premere il pulsante AVVIO/AVVIO RAPIDO per iniziare la cottura. 5. Quando il timer si ferma, estrarre e servire. Prestare attenzione perché gli alimenti sono caldi.
Verdure fresche	Da 200 a 600 g	Ambiente	<ol style="list-style-type: none"> 1. Lavare e tagliare le verdure in piccoli pezzi; 25-30mm di lunghezza e 10mm di spessore. 2. Mettere questi pezzi in una ciotola in ceramica idonea al microonde e coprire con un incarto di plastica; creare dei fori nella plastica. 3. Mettere la ciotola al centro del piatto girevole di vetro del microonde. 4. Chiudere lo sportello e premere il pulsante VERDURE FRESCHE e selezionare il peso ruotando la MANOPOLA. 5. Premere il pulsante AVVIO/AVVIO RAPIDO per iniziare la cottura. 6. Quando il timer si ferma, estrarre e servire. Prestare attenzione perché gli alimenti sono caldi.
Porridge	Da 50 a 150 g	Ambiente	<ol style="list-style-type: none"> 1. Mescolare l'avena da porridge con il latte in una ciotola. Si suggerisce l'uso di 80ml di latte per 50g di avena. 2. Mettere la ciotola al centro del piatto girevole di vetro. 3. Chiudere lo sportello e premere il pulsante PORRIDGE e selezionare il peso ruotando la MANOPOLA. 4. Premere il pulsante AVVIO/AVVIO RAPIDO per iniziare la cottura. 5. Quando il timer si ferma, estrarre e servire.
Riscaldamento automatico	Da 200 a 800 g	Alimenti freddi 5 °C	<ol style="list-style-type: none"> 1. Mettere il riso o la pasta freddi in una ciotola in ceramica idonea al microonde e coprire con un incarto di plastica; creare dei fori nella plastica. 2. Mettere la ciotola al centro del piatto girevole di vetro del forno a microonde. 3. Chiudere lo sportello e premere il pulsante RISCALDAMENTO AUTO e selezionare il peso ruotando la MANOPOLA. 4. Premere il pulsante AVVIO/AVVIO RAPIDO per iniziare la cottura. 5. Quando il timer si ferma, estrarre e servire.
Bistecca alla griglia	Da 200 a 600 g	Ambiente	<ol style="list-style-type: none"> 1. Distribuire in modo uniforme la bistecca sulla griglia per grill coperta dalla carta da forno idonea. 2. Mettere la griglia per grill al centro del piatto girevole di vetro del microonde. 3. Chiudere lo sportello e premere il pulsante BISTECCA ALLA GRIGLIA e selezionare il peso ruotando la MANOPOLA. 4. Premere il pulsante AVVIO/AVVIO RAPIDO per iniziare la cottura. 5. Dopo due terzi del tempo di cottura, aprire lo sportello per girare gli alimenti e poi chiudere lo sportello e continuare la cottura. 6. Quando il timer si ferma, estrarre e servire. Prestare attenzione perché gli alimenti e gli utensili sono caldi.
Pezzi di pollo alla griglia	Da 200 a 600 g	Ambiente	<ol style="list-style-type: none"> 1. Distribuire in modo uniforme i pezzi di pollo sulla griglia per grill coperta dalla carta da forno idonea. 2. Mettere la griglia per grill al centro del piatto girevole di vetro del microonde. 3. Chiudere lo sportello e premere il pulsante POLLO ALLA GRIGLIA e selezionare il peso ruotando la MANOPOLA. 4. Premere il pulsante AVVIO/AVVIO RAPIDO per iniziare la cottura. 5. Dopo due terzi del tempo di cottura, aprire lo sportello per girare gli alimenti e poi chiudere lo sportello e continuare la cottura. 6. Quando il timer si ferma, estrarre e servire. Prestare attenzione perché gli alimenti e gli utensili sono caldi.
Pezzi di pesce alla griglia	Da 100 a 500 g	Ambiente	<ol style="list-style-type: none"> 1. Distribuire in modo uniforme i pezzi di pesce sulla griglia per grill coperta dalla carta da forno idonea. 2. Mettere la griglia per grill al centro del piatto girevole di vetro del microonde. 3. Chiudere lo sportello e premere il pulsante PESCE ALLA GRIGLIA e selezionare il peso ruotando la MANOPOLA. 4. Premere il pulsante AVVIO/AVVIO RAPIDO per iniziare la cottura. 5. Dopo due terzi del tempo di cottura, aprire lo sportello per girare gli alimenti e poi chiudere lo sportello e continuare la cottura. 6. Quando il timer si ferma, estrarre e servire. Prestare attenzione perché gli alimenti e gli utensili sono caldi.

Nota	Modalità forno e metodo usato	YC-PS204A	YC-PS234A e YC-PS254A	YC-PG204A	YC-PG234A, YC-PG254A e YC-PG284A
	Cottura al microonde solo al 100%	1 tazza- 1:40 minuti 2 tazze: 3:00 minuti 3 tazze: 04:20 minuti	1 tazza- 01:30 minuti 2 tazze: 02:40 minuti 3 tazze: 03:50 minuti	1 tazza- 1:40 minuti 2 tazze: 3:00 minuti 3 tazze: 04:20 minuti	1 tazza- 01:30 minuti 2 tazze: 02:40 minuti 3 tazze: 03:50 minuti
	Cottura al microonde solo al 100%	1 patata - 6:00 minuti 2 patate : 9:00 minuti 3 patate : 13:00 minuti	1 patata - 05:00 minuti 2 patate : 08:00 minuti 3 patate : 12:00 minuti	1 patata - 6:00 minuti 2 patate : 9:00 minuti 3 patate : 13:00 minuti	1 patata - 05:00 minuti 2 patate : 08:00 minuti 3 patate : 12:00 minuti
Per YC-PS204A e YC-PG204A il pulsante AUTO MENU deve essere premuto finché compare il programma.	Cottura al microonde solo al 100%	150g - 1:00 minuti 300g - 01:30 minuti 450g: 2:00 minuti	150g - 00:50 minuti 300g - 01:20 minuti 450g: 1:50 minuti	150g - 01:00 minuti 300g - 01:30 minuti 450g: 2:00 minuti	150g - 00:50 minuti 300g - 01:20 minuti 450g: 1:50 minuti
	Cottura al microonde solo al 100%	100g: 3:00 minuti	100g: 2:00 minuti	100g: 3:00 minuti	100g: 2:30 minuti
	Cottura al microonde al 100% per metà tempo, poi 0% per 1/6 del tempo e infine 100% per 1/3 del tempo	200g: 8:00 minuti 400g: 11:00 minuti 600g: 15:00 minuti 800g: 18:00 minuti	200g: 6:00 minuti 400g: 9:00 minuti 600g: 13:00 minuti 800g: 16:00 minuti	200g: 8:00 minuti 400g: 11:00 minuti 600g: 15:00 minuti 800g: 18:00 minuti	200g: 6:00 minuti 400g: 9:00 minuti 600g: 13:00 minuti 800g: 16:00 minuti
Per YC-PS204A e YC-PG204A il pulsante AUTO MENU deve essere premuto finché compare il programma.	Cottura al microonde solo al 100%	200g: 3:30 minuti 300g: 4:30 minuti 400g: 5:30 minuti 500g: 6:30 minuti 600g: 7:30 minuti	200g: 3:00 minuti 300g: 4:00 minuti 400g: 5:00 minuti 500g: 6:00 minuti 600g: 7:00 minuti	200g: 3:30 minuti 300g: 4:30 minuti 400g: 5:30 minuti 500g: 6:30 minuti 600g: 7:30 minuti	200g: 3:00 minuti 300g: 4:00 minuti 400g: 5:00 minuti 500g: 6:00 minuti 600g: 7:00 minuti
Per YC-PS204A e YC-PG204A il pulsante AUTO MENU deve essere premuto finché compare il programma.	Cottura al microonde-100%	50g: 2:00 minuti 100g: 3:30 minuti 150g: 5:30 minuti	50g: 2:00 minuti 100g: 3:30 minuti 150g: 5:30 minuti	50g: 2:00 minuti 100g: 3:30 minuti 150g: 5:30 minuti	50g: 2:00 minuti 100g: 3:30 minuti 150g: 5:30 minuti
Per YC-PG204A il pulsante AUTO MENU deve essere premuto finché compare il programma.	Cottura al microonde solo al 100%	200g: 2:00 minuti 300g: 2:40 minuti 400g: 3:20 minuti 500g: 4:00 minuti 600g: 4:40 minuti 700g: 5:20 minuti 800g: 6:00 minuti	200g: 1:30 minuti 300g: 2:00 minuti 400g: 2:30 minuti 500g: 3:00 minuti 600g: 3:30 minuti 700g: 4:00 minuti 800g: 4:30 minuti	200g: 2:00 minuti 300g: 2:40 minuti 400g: 3:20 minuti 500g: 4:00 minuti 600g: 4:40 minuti 700g: 5:20 minuti 800g: 6:00 minuti	200g: 1:30 minuti 300g: 2:00 minuti 400g: 2:30 minuti 500g: 3:00 minuti 600g: 3:30 minuti 700g: 4:00 minuti 800g: 4:30 minuti
Per YC-PG204A il pulsante AUTO MENU deve essere premuto finché compare il programma.	Il microonde va al 100% per 10 secondi poi la griglia si attiva per 23 secondi. Questo ciclo si ripete fino alla fine del tempo di cottura. Il microonde e la griglia non funzionano mai allo stesso tempo.	N/A	N/A	200g: 15:00 minuti 300g: 18:00 minuti 400g: 21:00 minuti 500g: 24:00 minuti 600g: 27:00 minuti	200g: 15:00 minuti 300g: 18:00 minuti 400g: 21:00 minuti 500g: 24:00 minuti 600g: 27:00 minuti
Per YC-PG204A il pulsante AUTO MENU deve essere premuto finché compare il programma.	Il microonde va al 100% per 10 secondi poi la griglia si attiva per 23 secondi. Questo ciclo si ripete fino alla fine del tempo di cottura. Il microonde e la griglia non funzionano mai allo stesso tempo.	N/A	N/A	200g: 15:00 minuti 300g: 18:00 minuti 400g: 21:00 minuti 500g: 24:00 minuti 600g: 27:00 minuti	200g: 15:00 minuti 300g: 18:00 minuti 400g: 21:00 minuti 500g: 24:00 minuti 600g: 27:00 minuti
Per YC-PG204A il pulsante AUTO MENU deve essere premuto finché compare il programma.	Il microonde va al 100% per 10 secondi poi la griglia si attiva per 23 secondi. Questo ciclo si ripete fino alla fine del tempo di cottura. Il microonde e la griglia non funzionano mai allo stesso tempo.	N/A	N/A	100g: 12:00 minuti 200g: 15:00 minuti 300g: 18:00 minuti 400g: 21:00 minuti 500g: 24:00 minuti	100g: 12:00 minuti 200g: 15:00 minuti 300g: 18:00 minuti 400g: 21:00 minuti 500g: 24:00 minuti

SCONGELAMENTO AUTOMATICO

Lo scongelamento automatico permette di scongelare il cibo in base al peso. Il tempo di scongelamento e il livello di potenza sono configurati automaticamente una volta programmati la categoria di cibo e il peso. Il peso del cibo congelato va da 100 g a 1800 g.

1. In modalità stand-by, premere il pulsante **SCONGELAMENTO AUTOMATICO**.
2. Ruotare la **MANOPOLA** per selezionare il peso del cibo da scongelare.
3. Premere il tasto **AVVIO/AVVIO RAPIDO** per iniziare il ciclo di scongelamento.
4. Se il forno si arresta durante il ciclo di scongelamento, capovolgere il cibo per assicurare uno scongelamento uniforme e quindi premere **AVVIO/AVVIO RAPIDO** per scongelare il tempo rimanente.
5. Quando si completa un ciclo di scongelamento, il display mostrerà "End" (Fine) e verrà emesso un segnale acustico ogni due minuti finché non viene premuto un pulsante o non viene aperto lo sportello.

Scongelamento automatico - Funzionamento

Modello	Intervallo di peso	Intervallo tempo di scongelamento	Funzionamento scongelamento	Metodo
YC-PG204A	Da 100 a 1800 g	Da 5,5 a 39,5 minuti	Microonde al 40% per 1/3 di tempo, poi 20% per il 1/3 successivo di tempo. Girare quando richiesto, una volta girato si scongela al 20% per il resto del tempo.	<ol style="list-style-type: none"> 1. Mettere gli alimenti congelati in un piatto idoneo al microonde e coprire con un incarto di plastica; creare dei fori nella plastica. 2. Mettere il piatto al centro del piatto girevole di vetro del microonde. 3. Chiudere lo sportello e premere il pulsante SCONGELAMENTO AUTO e selezionare il peso ruotando la MANOPOLA. 4. Premere il pulsante AVVIO/AVVIO RAPIDO per iniziare a scongelare. 5. A metà del ciclo di scongelamento il forno si ferma e richiede di girare gli alimenti. 6. Aprire lo sportello e sistemare/girare gli alimenti. Chiudere lo sportello. 7. Premere il pulsante AVVIO/AVVIO RAPIDO per continuare a scongelare. 8. Quando il timer si ferma, togliere gli alimenti dal forno. Controllare che gli alimenti siano completamente scongelati.
YC-PG204A	Da 100 a 1800 g	Da 5 a 39 minuti		
YC-PS234A e YC-PG234A	Da 100 a 1800 g	Da 5,5 a 39,5 minuti	Cottura al microonde al 20% per metà tempo, girare subito, poi 20% di potenza per il tempo rimanente.	
YC-PS254A, YC-PG254A e YC-PG284A	Da 100 a 1800 g	Da 3 a 37 minuti	Microonde al 30% per 1/3 di tempo, poi 20% per il 1/3 successivo di tempo. Girare quando richiesto, una volta girato si scongela al 20% per il resto del tempo.	

RISCALDAMENTO AUTOMATICO*

Il forno permette di riscaldare il cibo in base al peso indicato dall'utente.

Il tempo e la potenza del riscaldamento sono impostati automaticamente una volta programmati la categoria e il peso del cibo. Il peso per lo scongelamento va da 100g a 800g.

1. In modalità stand-by, premere il pulsante **RISCALDAMENTO AUTOMATICO**.
2. Ruotare la **MANOPOLA** per selezionare il peso del cibo da riscaldare.
3. Premere **AVVIO/AVVIO RAPIDO**.
4. Quando si completa un ciclo di cottura, il display mostrerà "End" (Fine) e verrà emesso un segnale acustico ogni due minuti finché non viene premuto un pulsante o non viene aperto lo sportello.

* - Solo per modelli con grill.

TIMER DA CUCINA

Il forno è dotato di timer che conterà alla rovescia dal tempo impostato.

1. In modalità stand-by, premere una volta il pulsante **ORA/IMPOSTA OROLOGIO**.
2. Ruotare la **MANOPOLA** per impostare il tempo desiderato. Il tempo più lungo è di 95 minuti.
3. Premere **AVVIO/AVVIO RAPIDO** per confermare.
4. Il display farà il conto alla rovescia dal tempo di cottura impostato.
5. Quando il display raggiunge lo zero, verrà emesso un segnale acustico.

Inoltre è possibile usare il timer nella modalità di cottura. Per farlo, seguire i passaggi come definiti in precedenza mentre il cibo è in cottura. Una volta attivato il timer, questo apparirà sul display per cinque secondi, quindi il display tornerà a mostrare il time col conto alla rovescia per il ciclo di cottura. Per visualizzare di nuovo il timer, premere il pulsante **ORA/IMPOSTA OROLOGIO** una volta e il time apparirà per cinque secondi, per poi tornare a mostrare il conto alla rovescia della cottura.

- Per annullare il programma **TIMER** premere il pulsante **STOP/ECO** e l'orologio mostra l'ora.
- Se è stato avviato un ciclo di cottura, è possibile avviare il timer seguendo i passaggi come descritto in precedenza.

FUNZIONE RISPARMIO ENERGETICO

Questa funzione permette di risparmiare corrente mentre il forno non è in uso. Per attivare questa funzione in modalità stand-by, premere e tieni premuto **STOP/ECO** per 3 secondi, il display si spegnerà; il forno entrerà in modalità risparmio energetico.

Per cancellare la funzione, premere qualsiasi pulsante oppure aprire e chiudere una volta lo sportello.

FUNZIONE MUTO

È possibile silenziare i suoni del microonde usando la funzione muto. Per impostare la funzione muto premere una volta il pulsante **BLOCCO BAMBINI** e il display mostrerà "oFF" per 5 secondi. Mentre si è in modalità muto, non saranno emessi suoni alla pressione dei pulsanti.

Per disattivare la funzione mute, premere una volta il pulsante **BLOCCO BAMBINI**, il display visualizzerà "on" per 5 secondi per indicare che l'audio è stato riattivato.

Se la funzione muto è impostata e il forno viene disconnesso dall'alimentazione, la funzione sarà cancellata quando l'alimentazione viene ripristinata.

BLOCCO DI SICUREZZA

Questa è una funzione automatica per prevenire l'uso del forno da parte di bambini senza supervisione. Un modalità stand-by, se non viene eseguita alcuna operazione per 1 minuto, il forno entrerà automaticamente in modalità blocco di sicurezza e **Loc** apparirà sul display. In questo stato, tutti i pulsanti sono disattivati. Premere un pulsante qualsiasi, la spia del blocco appare sul display per 5 secondi per ricordare all'utente di disattivare il blocco di sicurezza.

Per rimuovere il blocco, aprire lo sportello del microonde e il tastierino tornerà attivo e la spia del blocco si spegnerà.

BLOCCO BAMBINI

Per impostare il BLOCCO BAMBINI, premere e tenere premuto il pulsante **BLOCCO BAMBINI** per 3 secondi; si udirà un lungo segnale acustico e il display indicherà "Loc". Il forno ora è in modalità BLOCCO BAMBINI. In questa modalità, il display mostrerà l'orologio; se viene premuto un pulsante qualsiasi o lo sportello viene aperto, apparirà "Loc" per 5 secondi.

Per annullare il BLOCCO BAMBINI, tenere premuto il tasto **BLOCCO BAMBINI** per 3 secondi finché non si udirà un lungo bip.

PULIZIA E MANUTENZIONE

- Spegnere il forno e staccare la spina dalla presa quando si pulisce.
- Tenere l'interno del forno pulito. Quando il cibo schizza o si riversano dei liquidi aderendo alle superfici laterali, superiore o inferiore del forno, ripulirle con un panno umido. Detergenti leggeri possono essere usati se il forno si sporca molto. Evitare di usare spray o altri detergenti più aggressivi. Potrebbero macchiare, graffiare o rovinare la superficie dello sportello.
- L'esterno del forno deve essere pulito con un panno umido. Per prevenire danni alle parti funzionali all'interno del forno, non bisogna permettere che penetri acqua nelle aperture di ventilazione.
- Strofinare lo sportello e la finestra su entrambi i lati, le giunture dello sportello e le parti adiacenti frequentemente con un panno umido per rimuovere eventuali riversamenti e macchie.
- Non usare detergenti abrasivi.
- Non pulire usando vapore.
- Non permettere che il pannello di controllo si bagni. Pulire con un panno soffice e umido. Quando si pulisce il pannello di controllo, lasciare lo sportello del forno aperto per evitare che il forno si accenda accidentalmente.
- Se si accumula vapore all'interno o attorno l'esterno dello sportello del forno, ripulire con un panno umido. Ciò può verificarsi quando il forno microonde viene usato in condizioni di alta umidità. Non è un difetto.
- Il piatto rotante in base, il supporto del piatto rotante e il giunto dovrebbero essere puliti regolarmente per evitare contaminazioni e potenziali danni/archi elettrici. Strofinare semplicemente con un detergente delicato.
- Rimuovere odori dal forno combinando una tazza d'acqua con il succo e la buccia di un limone in una ciotola che può essere usata con le microonde. Usare le microonde per 5 minuti. Strofinare con cura e asciugare con un panno morbido.
- Se la lampadina si guasta, contattare l'assistenza tecnica per un consiglio.
- Il forno deve essere pulito regolarmente ed eventuali depositi di cibo devono essere rimossi. Il mancato mantenimento del forno in condizioni di pulizia può portare al deterioramento della superficie che può avere effetti negativi sull'unità e potrebbe provocare situazioni pericolose.
- Non smaltire questo apparecchio nei rifiuti domestici; consultare le indicazioni del tuo paese su come smaltire questo tipo di prodotto.

UTENSILI ADATTI

1. Il materiale ideale per un utensile per microonde è trasparente alle microonde, e quindi permette all'energia di passare attraverso il contenitore e riscaldare il cibo.
2. Le microonde non possono penetrare il metallo, quindi non bisogna usare utensili di metallo o stoviglie con finiture metalliche.
3. Non usare prodotti in carta riciclata nella cottura a microonde, in quanto potrebbero contenere piccoli frammenti metallici che potrebbero provocare scintille e/o fiamme.
4. Sono consigliate stoviglie rotonde/ovali piuttosto che quadrate/rettangolari, in quanto il cibo negli angoli tende a cuocersi troppo.
5. Si possono usare strisce sottili di fogli di alluminio per evitare che le aree esposte si cuociano troppo. Tuttavia, bisogna fare attenzione non usarne troppo e di mantenere una distanza di 2,54 cm tra il foglio e le pareti interne.

La seguente lista è una guida generale per aiutare l'utente a selezionare gli utenti corretti.

Utensile	Microonde Sicura	Griglia	Commento
Piatto crisp	✓ / ✗	✗	Seguite sempre le istruzioni del produttore. Non superate i tempi di cottura indicati. Prestate molta attenzione, poiché i piatti possono diventare molto caldi.
Porcellana e ceramica	✓ / ✗	✗	Porcellana, terracotta, vasellame smaltato e porcellana fine sono di solito adatti, a meno che non abbiano decorazioni in metallo.
Vetro termoresistente	✓	✓	Bisogna fare attenzione che gli utensili in vetro siano adatti all'uso in un forno a microonde.
Vetro non termoresistente	✗	✗	
Ceramica termoresistente	✓	✓	Assicurarsi che i materiali in ceramica non siano troppo spessi o che non contengano troppi minerali.
Stoviglie di plastica utilizzabili nel microonde	✓	✗	Controllare sempre che le stoviglie di plastica sono adatte all'uso in un forno a microonde.
Carta da cucina	✓ / ✗	✗	Usare solo carta da cucina consigliata per l'uso in forni a microonde.
Articoli di vetro p.es. Pyrex®	✓ / ✗	✓	Fare attenzione se utilizzate stoviglie in vetro fine, poiché potrebbero rompersi o creparsi se riscaldate improvvisamente.
Vassoio di metallo	✗	✓	Non è consigliato l'utilizzo di utensili da cucina in metallo perché possono creare archi elettrici che, a loro volta, possono causare fuoco o incendi.
Griglia di metallo	✗	✓	Non è consigliato l'utilizzo di utensili da cucina in metallo perché possono creare archi elettrici che, a loro volta, possono causare fuoco o incendi.
Fogli di alluminio vaschette di alluminio	✓ / ✗	✓	Piccoli pezzi di fogli di alluminio possono essere utilizzati per proteggere il cibo dal surriscaldamento. Mantenete i fogli ad almeno 2,54 cm dalle pareti del forno, poiché potrebbero verificarsi archi elettrici. Le vaschette di alluminio non sono consigliate, a meno che il produttore non lo specifichi, per esempio Microfoil®. Seguite attentamente le istruzioni.
Pellicola protettiva	✓	✗	Non dovrebbe toccare il cibo e deve essere forata per permettere al vapore di fuoriuscire.
Plastica/polistirene, per esempio contenitori di fast food	✓	✗	Fate attenzione poiché alcuni contenitori si deformano, si sciolgono o scoloriscono ad alte temperature.
Sacchetti per il freezer/l'arrosto	✓	✗	Deve essere forato per far fuoriuscire il vapore. Assicuratevi che i sacchetti utilizzati siano adatti all'utilizzo nel forno a microonde.
Carta - piatti, bicchieri e carta da cucina	✓	✗	Non utilizzate fermagli in plastica o metallo poiché possono sciogliersi o prendere fuoco a causa degli archi metallici.
Paglia e contenitori di legno	✓	✗	Usate solamente per scaldare o per assorbire l'umidità. Fate attenzione, poiché il surriscaldamento può causare incendi.
Carta riciclata e giornali	✗	✗	Fate sempre attenzione al forno quando utilizzate questi materiali perché il surriscaldamento può provocare fiammate. Può contenere estratti di metallo che causano archi metallici e possono sfociare in fiammate.



ATTENZIONE: in caso di riscaldamento di alimenti inseriti in contenitori di plastica o di carta, a causa della possibilità della loro combustione mantenete il forno sotto osservazione.

NOTA: non lasciare il forno senza supervisione mentre è in funzione.

RACCOMANDAZIONI PER CUCINA A MICROONDE

Le microonde cuociono il cibo più rapidamente della cottura convenzionale. Quindi è essenziale che certe tecniche vengano seguite per assicurare buoni risultati. Molte delle seguenti tecniche sono simili a quelle utilizzate nella cottura convenzionale.



ATTENZIONE: i liquidi e gli alimenti non devono essere riscaldati in contenitori sigillati o vasetti/ contenitori con coperchi, perché la pressione aumenta all'interno e potrebbe causarne l'esplosione.

CONSIGLI PER LA COTTURA:

- Essere sempre presenti durante l'uso del forno.
- Assicurarsi che gli utensili siano adatti per l'uso in un forno a microonde.
- Usare solo popcorn a microonde all'interno della confezione consigliata (seguire le istruzioni del produttore). Non usare olio a meno che non sia specificato dal produttore e non cuocere più di quanto indicato.



ATTENZIONE: se si superano i tempi di cottura consigliati e si usano livelli di potenza troppo elevati, gli alimenti potrebbero surriscaldarsi, bruciare e in circostanze estreme, prendere fuoco e danneggiare il forno.

Disposizione

Collocare le parti più spesse degli alimenti verso l'esterno del piatto, ad es. le cosce di pollo.

Gli alimenti collocati verso l'esterno del piatto ricevono meno energia, quindi cuociono più rapidamente rispetto a quelli al centro.

Coperchio

Alcuni alimenti beneficiano dall'essere coperti durante la cottura al microonde.

Usare una pellicola per microonde o un coperchio adatto.

Bucare

Gli alimenti con guscio, pelle, o membrana devono essere bucati molte volte di essere cotti o riscaldati perché si forma vapore e potrebbe causarne l'esplosione, ad es. patate, pesce, pollo, salsicce.

NOTA: le uova non vanno riscaldate usando la potenza delle microonde in quanto potrebbero esplodere, anche dopo che la cottura è terminata. Ad es. uova in camicia, fritte, sode.

Agitare, girare e ricollocare

Per una cottura uniforme è essenziale agitare, girare e ricollocare gli alimenti durante la cottura. Agitare e ricollocare sempre dall'esterno verso il centro.

Riposo

Dopo la cottura è necessario lasciare riposare per qualche istante: ciò consente la dispersione uniforme del calore negli alimenti.

Caratteristiche degli alimenti	
Composizione	Gli alimenti ricchi di grasso o zucchero (p.es. budini, torte) richiedono meno tempo per la cottura. Fare attenzione perché un surriscaldamento può causare incendi. Le ossa negli alimenti conducono calore, e gli alimenti si cuociono più velocemente. Fare attenzione a una cottura uniforme degli alimenti.
Densità	La densità degli alimenti ha effetto sul tempo di cottura necessario. Gli alimenti leggeri e porosi, come torte o pane, si cuociono più rapidamente rispetto agli alimenti pesanti e densi come arrostiti e pasticci.
Quantità	Il numero di microonde nel forno resta lo stesso indipendentemente da quanto cibo viene cucinato. Il tempo di cottura deve essere aumentato se la quantità di alimenti nel forno aumenta. P.es. quattro patate richiedono più tempo di cottura di due.
Dimensioni	Gli alimenti e i pezzi piccoli si cuociono più rapidamente di quelli più grandi, poiché i microonde penetrano da tutti i lati verso il centro. Per una cottura uniforme fare pezzi delle stesse dimensioni.
Forma	Gli alimenti di forma irregolare, come pezzi o cosce di pollo, devono essere cotti più a lungo nelle parti più spesse. Per una cottura uniforme, collocare le parti più spesse all'esterno del piatto dove ricevono più energia. Le forme rotonde si cuociono in modo più uniforme delle forme squadrate con la cottura a microonde.
Temperatura degli alimenti	La temperatura iniziale degli alimenti ha effetto sul tempo di cottura necessario. Gli alimenti freddi richiedono più tempo per la cottura degli alimenti a temperatura ambiente. La temperatura del contenitore non è un'indicazione veritiera della temperatura degli alimenti o della bevanda. Tagliare gli alimenti con farciture, per esempio ciambelle alla marmellata, per rilasciare il calore o il vapore.



ATTENZIONE: volto e mani: usare sempre guanti da forno per rimuovere gli alimenti o le stoviglie dal forno. Restare indietro quando si apre lo sportello del forno per consentire al calore o al vapore di disperdersi. Quando si rimuovono le coperture (come la pellicola), si aprono le borse degli arrostiti o la confezione del popcorn, tenere il vapore lontano da mani e volto.



ATTENZIONE: controllare la temperatura di alimenti e bevande e agitare prima di servire. Fare attenzione quando si servono i neonati, i bambini o gli anziani. I contenitori dei biberon e dei vasetti di omogeneizzati devono essere agitati o mescolati e controllare la temperatura prima di consumare per evitare bruciature.

CONSIGLI PER SCONGELAMENTO

Usare il forno a microonde è il metodo di scongelamento più rapido. Si tratta di un processo semplice ma le seguenti istruzioni sono essenziali per assicurare che gli alimenti siano adeguatamente scongelati.

- Rimuovere tutta la confezione e la copertura prima di scongelare.
- Per scongelare gli alimenti, usare i livelli da P-20 a P-40 di potenza delle microonde.
- Consultare le informazioni di seguito per ulteriori dettagli.

Spostare

Gli alimenti collocati verso l'esterno del piatto ricevono si scongelano più rapidamente degli alimenti al centro.

Pertanto è essenziale che gli alimenti siano spostati fino a quattro volte durante lo scongelamento.

Spostare i pezzi vicini dall'esterno al centro e spostare le parti sovrapposte.

Ciò garantisce che tutte le parti siano scongelate uniformemente.

Separare

Gli alimenti possono essere attaccati insieme quando sono rimossi dal congelatore. È importante separare gli alimenti non appena possibile durante lo scongelamento.

ad es. fette di pancetta, filetti di pollo.

Coperchio

Alcune aree degli alimenti scongelati possono divenire bollenti. Per impedire che diventino più calde e iniziare la cottura, queste aree devono essere protette con pezzettini di foglio di alluminio, che riflettono le microonde, ad es. per cosce e ali di pollo.

Riposo

Il tempo di riposo è necessario per assicurare che gli alimenti siano ben scongelati.

Lo scongelamento non è completo una volta che gli alimenti sono rimossi dal forno a microonde. Gli alimenti devono riposare, essere coperti, per un certo intervallo di tempo al fine di assicurare che il centro sia completamente scongelato.

Girare

È essenziale che tutti gli alimenti siano capovolti fino a 4 volte durante lo scongelamento.

È importante per assicurare uno scongelamento profondo.

CONSIGLI PER RISCALDAMENTO

Per il riscaldamento degli alimenti, seguire i consigli e le linee guida di seguito per garantire che gli alimenti siano ben riscaldati prima di servire.

Pasti impiattati

Rimuovere porzioni di carne o pollame, riscaldarle separatamente, vedere di seguito.

Collocare le parti più piccole degli alimenti al centro del piatto, gli alimenti più grandi e spessi sul bordo. Coprire con una pellicola da microonde e riscaldare alla potenza P-50, agitare/spostare a metà riscaldamento.

NOTA: assicurarsi che gli alimenti siano ben riscaldati prima di servire.

Carne affettata

Coprire con una pellicola da microonde e riscaldare alla potenza P-60. Spostare almeno una volta per garantire un riscaldamento uniforme.

NOTA: assicurarsi che la carne sia ben riscaldata prima di servire.

Porzioni di pollo

Collocare le parti più spesse degli alimenti all'esterno del piatto, coprire con una pellicola da microonde e riscaldare alla potenza 70p.

Capovolgere a metà riscaldamento.

NOTA: assicurarsi che il pollo sia ben riscaldato prima di servire.

Pasticci

Coprire con una pellicola per microonde o un coperchio adatto e riscaldare alla potenza P-50.

Agitare frequentemente per assicurare un riscaldamento uniforme.

NOTA: assicurarsi che gli alimenti siano ben riscaldati prima di servire.

Per ottenere i migliori risultati durante il riscaldamento, selezionare un livello di potenza del microonde adeguato al tipo di alimento. Ad es. una ciotola di verdure può essere riscaldata usando la potenza P-100, mentre una lasagna contenente ingredienti che non possono essere mescolati deve essere riscaldata usando la potenza P-40.

NOTE:

- Rimuovere gli alimenti dal foglio di alluminio o dai contenitori in metallo prima di riscaldare.
- I tempi per il riscaldamento sono influenzati da forma, profondità, quantità e temperatura degli alimenti insieme a dimensioni, forma e materiali del contenitore.



ATTENZIONE: non riscaldare mai liquidi in recipienti con collo stretto, perché potrebbe verificarsi una fuoriuscita del contenuto, con pericolo di bruciature.

- Per evitare surriscaldamento o incendio, prestare molta attenzione alla cottura o al riscaldamento di cibi che contengono molto zucchero o sostanze grasse, quali ad esempio torte o budini.
- Non riscaldare olio o grasso per la frittura profonda perché potrebbe causare surriscaldamento e incendio.
- Le patate in scatola non devono essere riscaldate nel forno a microonde; seguire le istruzioni del produttore sulla scatola.



ATTENZIONE: prima del consumo si raccomanda di agitare bene il contenuto dei biberon o dei vasetti di omogeneizzati, nonché di controllarne la temperatura, per evitare scottature.

RISOLUZIONE DEI PROBLEMI

Se si ritiene che il forno non stia funzionando correttamente, ecco alcune semplici verifiche che è possibile eseguire autonomamente prima di contattare l'assistenza. Ciò consente di evitare interventi non necessari se il guasto è facile da riparare.

Seguire la seguente procedura:

Collocare mezza tazza d'acqua sul piano rotante e chiudere lo sportello. Impostare il forno per cuocere per 1 minuto usando la potenza microonde P-100.

1. La spia del forno si illumina durante la cottura?
2. La ventola di raffreddamento funziona? (Controllare collocando la mano sopra le aperture della ventola.)
3. Dopo un minuto viene emesso un segnale acustico?
4. L'acqua nella tazza è calda?

Se la risposta è "NO" a una di queste domande, controllare che il forno sia correttamente collegato e che il fusibile non sia saltato. Se tutto è in ordine, controllare la tabella seguente.



ATTENZIONE: non adattare, riparare o modificare il forno da soli. Eseguire manutenzione o riparazioni è pericoloso per tutti tranne che per gli tecnici addestrati SHARP. Questo è importante perché potrebbe includere la rimozione dei coperchi che offrono protezione dall'energia a microonde.

- La guarnizione dello sportello arresta la perdita di microonde durante l'uso del forno, ma non forma una chiusura ermetica. È normale vedere gocce di acqua, luce o aria calda intorno allo sportello del forno. Gli alimenti con elevato contenuto di umidità rilasciano vapore e generano condensa all'interno dello sportello che potrebbe fuoriuscire dal forno.
- Riparazioni e modifiche: non tentare di usare il forno se non opera normalmente.
- Involucro esterno e accesso alla lampadina: non rimuovere l'involucro esterno. Questa operazione è molto pericolosa a causa dei componenti ad alto voltaggio all'interno che non devono mai essere toccati, in quanto ciò potrebbe risultare fatale.
Il forno non è dotato di un coperchio per l'accesso alla lampadina. Se quest'ultima si guasta, non tentare di sostituirla da sé, ma chiamare una struttura di assistenza approvata da SHARP.

TABELLA RISOLUZIONE PROBLEMI

DOMANDA	RISPOSTA
Presenza di ipotermia intorno allo sportello.	Quando il forno è in funzione, l'aria circola nella cavità. Lo sportello non forma una chiusura ermetica quindi l'aria potrebbe fuoriuscire dallo sportello.
Nel forno si forma condensa che potrebbe fuoriuscire dallo sportello.	La cavità del forno normalmente sarà più fredda degli alimenti cucinati, e quindi il vapore prodotto durante la cottura si condensa sulla superficie fredda. La quantità di vapore prodotto dipende dal contenuto d'acqua degli alimenti cucinati. Alcuni alimenti, come le patate, hanno un elevato contenuto di umidità. La condensa intrappolata nel vetro dello sportello dovrebbe sparire dopo alcune ore.
Lampeggiamento o arco elettrico dall'interno della cavità durante la cottura.	L'arco elettrico si verifica quando un oggetto metallico entra in contatto ravvicinato alla cavità del forno durante la cottura. Ciò può irridire la superficie della cavità, ma senza danneggiare il forno.
Archi elettrici con le patate	Assicurarsi che tutti gli "occhi" siano stati rimossi e che le patate siano state forate, posizionarle direttamente sul piatto rotante o un piatto resistente al calore.
Quando si usa il forno in modalità solo grill, si può notare che l'elemento riscaldante non sembra essere attivo tutto il tempo.	Questo perché l'elemento grill si attiva e si disattiva per mantenere la temperatura del forno al livello preimpostato.
Quando si usa il grill in modalità combinata, non sembra acceso.	Durante la modalità di cottura combinata (microonde e grill), il forno passa da una funzione all'altra. Le funzioni microonde e grill non si attivano contemporaneamente.
Il forno non funziona quando viene premuto il pulsante AVVIO/AVVIO RAPIDO.	Controllare che lo sportello sia chiuso correttamente.
Il forno cuoce troppo lentamente.	Assicurarsi di avere selezionato il livello di potenza corretto.
Il forno emette un rumore.	Quando si attiva e si disattiva l'energia delle microonde, si può sentire un ronzio, è normale.
Dopo la cottura, il forno emette un rumore o sembra essere ancora in funzione.	Alla fine del ciclo di cottura la ventola potrebbe restare attiva per alcuni minuti per raffreddare il forno. Questo è normale.
Il rivestimento esterno è caldo.	Il rivestimento potrebbe essere caldo al tatto, quindi tenere lontani i bambini.
"LoC" compare sul display quando si preme un pulsante.	Dopo 30 secondi il forno entra in modalità di blocco in cui nessun pulsante funziona. Aprire e chiudere lo sportello e i pulsanti funzioneranno di nuovo. E controllare che l'unità non sia in modalità di blocco.
"Errore" compare nel display e si sente un bip dal forno ogni minuto.	Se i pulsanti sul pannello di controllo vengono premuti in modo continuo per 1 minuto, accade ciò. Scollegare il forno dalla rete elettrica per qualche minuto e ricollegare.
Il forno emette un bip ogni 30 secondi.	Alla fine della cottura, se lo sportello non viene aperto, il forno emette un bip ogni 30 secondi. Per interromperlo, aprire e poi chiudere lo sportello.

PRIMA DI CHIAMARE L'ASSISTENZA

Prima di richiedere l'intervento dell'assistenza, controllare ciascuna voce seguente:

- Controllare per assicurarsi che il forno sia collegato correttamente alla presa della corrente. In caso contrario, rimuovere la spina dalla presa, attendere 10 secondi e reinserirla nuovamente in maniera salda.
- Controllare se è saltato un fusibile o se è scattato il contatore. Se questi sembrano funzionare correttamente, testare la presa con un altro apparecchio.
- Controllare che la potenza e il timer siano impostati correttamente.
- Controllare che lo sportello sia chiuso correttamente, bloccato dal sistema di blocco di sicurezza. Altrimenti, l'energia a microonde non scorrerà all'interno del forno.

SE NESSUNA DI QUESTE OPERAZIONI RISOLVE IL PROBLEMA, ALLORA CONTATTARE UN TECNICO QUALIFICATO. NON PROVARE A MODIFICARE O RIPARARE IL FORNO DA SOLI.



Dėmesio:

Jūsų įsigytas gaminys yra pažymėtas šiuo ženklu. Tai reiškia, kad panaudoti elektros ir elektronikos gaminiai neturėtų būti maišomi su įprastomis buities atliekomis. Tokiems gaminiams yra nustatytos atskiros surinkimo sistemos.



www.sharpconsumer.com/contact/



www.sharpconsumer.com/support/



www.sharpconsumer.com/documents-of-conformity/

A. Informacija apie įrangos šalinimą (vartotojams)

1. Europos Sąjungoje

Dėmesio: norėdami atsikratyti šios įrangos, nemeskite jos į įprastą šiukšlių dėžę!

Panaudota elektros ir elektronikos įranga turi būti išmetama atskirai pagal teisės aktus, kurie numato tokios įrangos tinkamą apdorojimą, utilizavimą ir perdirbimą.

Sekant valstybių narių veiklą, Europos Sąjungos privatūs namų ūkiai gali gražinti panaudotą elektros ir elektronikos įrangą į tam skirtus surinkimo punktus nemokamai*.

Kai kuriose šalyse* vietinis įrangos prekiautojas taip pat gali priimti seną gaminį nemokamai, jei įsigyjate naują.

*) Dėl išsamesnės informacijos susisiekite su vietos valdžia.

Jei jūsų panaudotoje elektrinėje arba elektroninėje įrangoje yra baterijų arba akumuliatorių, išmeskite juos atskirai pagal vietos reikalavimus.

Tinkamai išmesdami šį gaminį padėsite užtikrinti, kad atliekos bus tinkamai apdorotos, utilizuotos bei perdirbtos ir užkirsite kelią galimam neigiamam poveikiui aplinkai ir žmonių sveikatai, kurį gali lemti netinkamas atliekų apdorojimas.

2. Kitose šalyse už ES ribų

Norėdami išmesti šį produktą, susisiekite su vietos valdžia ir paprašykite informacijos apie tinkamus atliekų šalinimo būdus.

Šveicarijai: panaudota elektros ir elektronikos įranga gali būti gražinama nemokamai prekybos agentui, net jeigu neketinate įsigyti naujo gaminio. Papildomi surinkimo punktai yra išvardinti interneto svetainėje www.swico.ch arba www.sens.ch.

B. Informacija apie įrangos šalinimą (verslo klientams)

1. Europos Sąjungoje

Jei gaminys yra naudojamas verslo reikmėms ir Jūs norite jį išmesti: Susisiekite su SHARP prekybos agentu, kuris informuos Jus apie gaminio priėmimą. Jums gali tekti sumokėti gaminio priėmimo ir perdirbimo išlaidas. Smulkūs gaminiai (nedideliais kiekiais) gali būti priimami vietiniuose surinkimo punktuose.

Ispanijai: savo panaudotos įrangos priėmimo klausimu susipažinkite su nustatyta surinkimo sistema ar susisiekite su vietos valdžia.

2. Kitose šalyse už ES ribų

Jei norite išmesti šį produktą, susisiekite su vietos valdžia ir paprašykite informacijos apie taisyklingus šalinimo būdus.

ATSARGOS PRIEMONĖS, SIEKIAMT IŠVENGTI GALIMO MIKROBANGŲ ENERGIJOS POVEIKIO

1. Nenaudokite šios krosnelės atidarytomis durelėmis, kadangi taip gali pasireikšti kenksmingas mikrobangų energijos poveikis. Svarbu ne nesulaužyti ir nesugadinti apsauginių užšovai.
2. Nekiškite jokių daiktų tarp krosnelės priekinio korpuso ir durelių ir neleiskite nešvarumams ar valymo priemonių nuosėdoms kauptis ant sandariklių paviršiaus.
3. Nenaudokite sugedusios krosnelės. Labai svarbu, kad krosnelės durelės tinkamai užsidarytų, kad nebūtų pažeistos durelės, vyriai, spynelės ar sandarikliai ir jų paviršius.
4. Neremontuokite krosnelės ir nedarykite jokių modifikacijų.

TURINYS

SVARBŪS SAUGOS NURODYMAI	3
MONTAVIMAS	10
RADIJO TRIKDŽIAI	11
IŽEMINIMO INSTRUKCIJOS	11
TECHNINIAI DUOMENYS	11
KROSNELĖ IR PRIEDAI	12
VALDYMO SKYDELIS	13
PRIEŠ NAUDOJANT KROSNELE	14
LAIKRODŽIO NUSTATYMAS	14
GAMINIMAS MIKROBANGŲ KROSNELEJE	15
SPARTUSIS PALEIDIMAS	16
KEPIMAS GRILIUMI*	16
MIKROBANGOS + GRILIS*	16
AUTOMATINIS MENIU	17
AUTOMATINIS ATITIRPINIMAS	20
AUTOMATINIS PAŠILDYMAS*	20
VIRTUVĖS LAIKMATIS	21
ENERGIJOS TAUPYMO FUNKCIJA	21
GARSO UŽTILDYMO FUNKCIJA	22
UŽRATKAS	22
UŽRATKAS NUO VAIKŲ	22
VALYMAS IR PRIEŽIŪRA	23
MAISTO GAMINIMUI TINKAMI INDAI	24
PATARIMAI GAMINANT MIKROBANGŲ KROSNELE	25
PATARIMAI DĖL ATITIRPINIMO	27
PATARIMAI DĖL PAŠILDYMO	28
TRIKČIŲ NUSTATYMAS IR ŠALINIMAS	29
PRIEŠ KREIPIANTIS PAGALBOS	31

* - Tik modeliams su griliumi.

SVARBŪS SAUGOS NURODYMAI

ATIDŖIAI PERSKAITYKITE IR SAUGOKITE, KAD GALĖTUMĖTE PERSKAITYTI ATEITYJE

Nurodymai, siekiant išvengti gaisro pavojaus. Mikrobangų krosnelės veikimo metu nepalikite jos be priežiūros. Per aukštas mikrobangų galios lygis ar per ilgas gaminimo laikas gali perkaitinti maistą ir sukelti gaisrą.

Ši krosnelė yra sukurta naudoti tik pastačius ją ant atviro paviršiaus. Ji nėra sukurta, kad galėtumėte ją integruoti į virtuvinius baldus. Nestatykite krosnelės į spintą. Elektros lizdas turi būti lengvai prieinamas, kad pavojaus atveju galėtumėte iš jo ištraukti maitinimo laidą.

Kintamoji elektros srovė turi būti 230 – 240 V, 50 Hz su min. 10 A paskirstymo linijos saugikliu arba min. 10 A automatiniu apsauginiu išjungikliu.

Nestatykite krosnelės ten, kur pasigamina karštis. Pavyzdžiui, arti tradicinės kepimo krosnies.

Taip pat nemontuokite krosnelės dideliu drėgnumu pasižyminčiose vietose arba, kur kaupiasi drėgmė.

Jei pajaučiate dūmus, išjunkite krosnelę ar ištraukite elektros tiekimo laidą iš lizdo ir neatidarykite durelių, kad užslopintumėte liepsną.

Naudokite tik mikrobangų krosnelėje galimas naudoti talpas ir indus. Būtina patikrinti, ar indai tinkami naudoti mikrobangų krosnelėse.

Šildydami maistą plastikinėse ar popierinėse talpose, prižiūrėkite krosnelę, kad talpos neužsidegtų.

Po naudojimosi nuvalykite bangolaidžio uždangą ir krosnelės vidų. Jie turi būti sausi ir netaukuoti. Susikaupę riebalai gali perkaisti, pradėti smilkti ar sukelti ugnį.

Šalia krosnelės ar ventiliacijos angų nelaikykite degių medžiagų

Neuždenkite ventiliacijos angų.

Nuo maisto ir jo pakuočių nuimkite visus metalinius įspaudus, susuktas vielas ir pan. Elektros išlydis ant metalinių paviršių gali sukelti gaisrą.

Nenaudokite mikrobangų krosnelės aliejui pašildyti. Temperatūra yra nekontroliuojama, ir aliejus gali užsidegti.

Ruošdami kukurūzų spragėsius, naudokite tik specialius, mikrobangų krosnelėje paruošiamus kukurūzų spragėsius.

Krosnelės viduje nelaikykite maisto ar kitų daiktų.

Kai įjungiate krosnelę, patikrinkite nustatymus, kad įsitikintumėte, jog ji dirba pageidaujamu režimu.

Nepalikite naudojamos krosnelės be priežiūros.

Gamindami ar šildydami maistą su dideliu cukraus ar riebalų kiekiu, pavyzdžiui, bandeles su mėsa, pyragus ar kalėdinius pudingus, imkitės specialių atsargumo priemonių, kad būtų išvengta perkaitimo ar gaisro. Daugiau informacijos rasite atitinkamuose naudojimo vadovo patarimuose.

Kad išvengtumėte galimo susižalojimo. ĮSPĖJIMAS:

Nesinaudokite krosnele, jei ji sugadinta ar veikia netinkamai. Prieš naudojimąsi patikrinkite:

- a) Įsitikinkite, kad durelės tinkamai užsidaro, kad nėra nesuderintos ar kreivos.
- b) Patikrinkite, ar vyriai ir apsauginiai durelių užšovai nėra sulūžę ar atlaisvėję.
- c) Pasirūpinkite, kad durelių sandarikliai ir sandarinimo paviršius nėra pažeisti.
- d) Įsitikinkite, ar krosnelės viduje ar ant durelių nėra įlenkimų.
- e) Įsitikinkite, ar elektros maitinimo laidas ir jungiklis nėra pažeisti.

Jei durelės ar durų izoliacija yra pažeista, krosnelės negalite jungti tol, kol kompetentingas asmuo nesutvarkė šių gedimų.

Niekada nereguliuokite, netaisykite ir nemodifikuokite krosnelės patys. Tai atlikti yra pavojinga visiems, išskyrus kompetentingą asmenį, kuris gali apžiūrėti ir sutaisyti krosnelę nuimdamas išorinę dangą, kuri saugo nuo neigiamo mikrobangų energijos poveikio.

Neįjunkite krosnelės su atidarytomis durelėmis, niekaip nemodifikuokite durelių vyrių. Nenaudokite krosnelės, jei tarp durų izoliacijos ir sandarinamųjų paviršių yra koks nors objektas.

Neleiskite, kad ant durų izoliacinės medžiagos ar artimų detalių kauptųsi riebalai ar purvas. Valykite krosnelę reguliariai ir nepalikite jokių maisto likučių.

Vadovaukitės „Priežiūra ir valymas“ skyriuje pateiktomis instrukcijomis. Krosnelės laikymas nešvaroje gali sąlygoti paviršiaus nusidėvėjimą, kas neigiamai veikia įrangos veikimą ir gali sukelti pavojų.

Asmenys su ŠIRDIES STIMULIATORIAIS turėtų pasitarti su savo gydytoju ar stimulatoriaus gamintoju dėl atsargumo priemonių naudojant mikrobangų krosnelę.

Kad išvengtumėte galimo elektros šoko.

- Jokiu būdu nenuimkite išorinės dangos.
- Niekada nieko nepilkite ir nekiškite į durelių užrakto ar ventiliacijos angas. Kam nors įkritus, nedelsiant išjunkite ir atjunkite krosnelę, kreipkitės į SHARP įgaliotą atstovą.
- Nemerkite maitinimo laido ar kištuko į vandenį ar kitą skystį.
- Neleiskite, kad maitinimo laidas kabėtų virš stalo krašto ar darbo paviršiaus.
- Elektros tiekimo laidą laikykite toliau nuo įkaitusių paviršių, įskaitant krosnelės galinę pusę.
- Pasirūpinkite, kad prietaisų ir jų laidų negalėtų pasiekti vaikai iki 8 metų amžiaus.
- Nebandykite patys pakeisti krosnelės lempos ir neleiskite

to atlikti kitiems, išskyrus SHARP įgaliotąjį elektriką. Jei krosnelės lempa nedega, kreipkitės į savo prekybos agentą ar SHARP įgaliotąjį atstovą.

- Jei maitinimo laidas pažeistas, jį turi pakeisti „SHARP“ paskirtas techninės priežiūros specialistas.

ĮSPĖJIMAS: Skysti ir kiti maisto produktai negali būti šildomi uždarytuose induose, nes jie gali sprogti. Gėrimų šildymas mikrobangomis gali būti uždelstas, todėl liesdami indą turite imtis atsargumo priemonių. Kad išvengtumėte galimo sprogimo ir staigaus užvirimo:

Niekada nenaudokite sandariai uždarytos taros. Prieš šildydami nuimkite dangtį. Dėl susidariusio spaudimo uždaras indas gali sprogti net po to, kai krosnelė išsijungia. Mikrobangomis šildydami skysčius, elkitės atsargiai. Naudokite indą plačiais kraštais, kad burbulai galėtų nutekėti.

Niekada nešildykite skysčių inde su siauru kakleliu, pvz., kūdikio buteliuke, nes tai gali sukelti turinio išsiliejimą ir nudegimus.

Kad išvengtumėte staigaus verdančio skysčio išsiliejimo ir galimo nudegimo:

1. Nešildykite skysčio pernelyg ilgai.
2. Prieš šildydami / pašildydami skystį, jį išmaišykite.
3. Skysčio pašildymo metu rekomenduojama į jį įmerkti stiklinę lazdelę ar panašų įrankį (ne metalinį).
4. Pašildę skystį, palaikykite jį krosnelėje bent 20 sekundžių, tai leidžia išvengti uždelsto staigaus užvirimo.

Mikrobangų krosnelėje nevirkite kiaušinių su lukštais ir nešildykite kietai virtų kiaušinių, nes jie gali sprogti net tada, kai gaminimas naudojant krosnelę yra baigtas. Norėdami krosnelėje gaminti neplaktus ar nemaišytus kiaušinius, pradurkite jų trynius ir baltymus. Prieš

šildydami kietai virtus kiaušinius mikrobangų krosnelėje, juos nulupkite ir perpjaukite.

Prieš gamindami tokius produktus kaip bulvės, dešrelės ir vaisiai, pradurkite žievelę, nes kitaip jie gali sprogti.

ĮSPĖJIMAS: maitinimo buteliukų ir kūdikių maisto stiklainių turinys prieš vartojimą turi būti sumaišytas ar suplaktas. Kad išvengtumėte nudegimų, patikrinkite jo temperatūrą. Kad apsaugotumėte nuo nudegimų, imdami maistą iš krosnelės naudokite puodkėlę ar orkaitės pirštines. Kad išvengtumėte galimo nudegimo:

- Atidarydami indą, kukurūzų spragėsių pakuotes, kepimo maišelius ir pan., visada laikykite juos toliau nuo veido ir rankų, kad nenusidegintumėte garais ar išsiveržusiu verdančiu skysčiu. Kad išvengtumėte nudegimų, prieš patiekdami maistą, visada patikrinkite jo temperatūrą ir jį sumaišykite. Atkreipkite ypatingą dėmesį į kūdikiams, vaikams ar senesniems žmonėms duodamo maisto ir gėrimų temperatūrą. Kai kurios dalys gali įkaisti naudojimo metu. Maži vaikai turėtų laikytis atokiau.
- Taros temperatūra nėra teisingas rodiklis, kuris parodytų maisto ar gėrimo temperatūrą; visada tikrinkite maisto temperatūrą.
- Atidarydami krosnelės duris, visada stovėkite atokiau, kad išvengtumėte nudegimų garais ar karščiu.
- Įdarytus maisto patiekalus po kepimo supjaustykite, kad išleistumėte garą ir išvengtumėte nudegimų.
- Vaikus laikykite atokiau nuo durelių, kad jie išvengtų nudegimų.

ĮSPĖJIMAS: vaikai gali naudotis krosnele be priežiūros tik po to, kai jiems buvo paaiškintos atitinkamos saugumo instrukcijos, kai jie sugeba naudotis krosnele saugiai ir, kai supranta neteisingo naudojimosi pavojų.

Kai prietaisas naudojamas GRILIO, KOMBINUOTO GRILIO, KONVEKCIINĖS ORKAITĖS, KOMBINUOTO KONVEKCIINĖS ORKAITĖS ir AUTOMATINIŲ režimu (jei tame modelyje yra), vaikai turi būti prižiūrimi suaugusiųjų dėl didelės temperatūros.

Šiuo prietaisu negali naudotis asmenys (įskaitant vaikus) su ribotomis fizinėmis, jautrumo ar psichikos galimybėmis, ar neturintys patirties bei žinių, nebent už juos atsakingas žmogus suteikė priežiūrą ir instrukcijas dėl saugaus prietaiso valdymo.

Vaikai turi būti prižiūrimi, kad būtų užtikrinta, jog jie su prietaisu nežaidžia. Jei vaikai valo prietaisą, juos reikia prižiūrėti.

Modeliuose su elektroniniu liečiamu valdymo skydeliu veikia užrakto nuo vaikų funkcija.

Nesiremkite ir nesisupkite ant krosnelės durelių. Nežaiskite su krosnele ir nenaudokite jos kaip žaislo.

Vaikams turi būti paaiškintos visos svarbios saugumo instrukcijos: visada naudoti puodkėlę, atsargiai nuimti taros dangtį; ypatingai atkreipti dėmesį į pakuotes (pvz., savaime įkaistančias medžiagas), sukurtas traškiems užkandžiams gaminti, kadangi jos gali būti ypač karštos.

Kiti įspėjimai

Jokiu būdu niekada nemodifikuokite krosnelės.

Nejudinkite krosnelės veikimo metu.

Šis prietaisas yra numatytas naudoti buitinėmis sąlygomis. Ši krosnelė yra skirta tik ruošti maistą namuose, ja galima tik ruošti maistą ir gėrimus. Dėl maisto ar drabužių džiovinimo, šildymo įklotų, šlepečių, kempinių, drėgnų audeklų ar panašių daiktų šildymo atsiranda rizika susižeisti, užsidegti ar kilti gaisrui. Prietaisas nėra netinkamas naudoti komerciniais tikslais ar laboratorijose.

Kad naudojimasis krosnele nesukeltų problemų ir pavojaus:

Niekada nejunkite krosnelės, kai joje nieko nėra. Kai skrudinate patiekalus ar naudojate savaime įkaistančias medžiagas, visada po apačia naudokite karščiui atsparų izoliatorių, pvz., porceliano lėkštę. Neviršykite instrukcijoje nurodyto maistui šildyti skirto laiko.

Nenaudokite metalinių indų, kurie atspindi mikrobangas ir gali sukelti elektros išlydį. Į krosnelę nedėkite skardinių.

Kad nesuskiltų besisukantis padėklas ar krosnelės pagrindas:

- a)** Prieš valydami su vandeniu, palaukite, kol atvės.
- b)** Ant šalto besisukančio padėklo ir (arba) krosnelės pagrindo nestatykite karšto ar šalto maisto ar įkaitusių indų.
- c)** Krosnelės veikimo metu nedėkite nieko ant jos išorinės dangos.

PASTABA:

Nenaudokite plastikinės taros jei krosnelė neatvėsusi po kombinuoto režimo (priklauso nuo modelio), nes ji gali išsilydyti.

Plastikinė tara visai neturi būti naudojama, nebent jos gamintojas užtikrina, kad ji tam tinkama.

Jei jūs nesate tikri, kaip prijungti krosnelę, konsultuokitės su įgaliotu, kvalifikuotu elektriku.

Nei prietaiso gamintojas, nei jo platintojas nėra atsakingas dėl krosnelei padarytos žalos ar asmeninių sužeidimų, kilusių dėl netinkamai atliktos elektros jungties procedūros.

Vandens garai ar lašai kartais gali susiformuoti ant krosnelės sienų ar aplink durų izoliaciją bei sandarinimo paviršių. Tai yra normalus reiškinys ir nereiškia mikrobangų nuotėkio ar kitų gedimo požymių.

Šis prietaisas skirtas naudoti namuose ir panašioje aplinkoje,

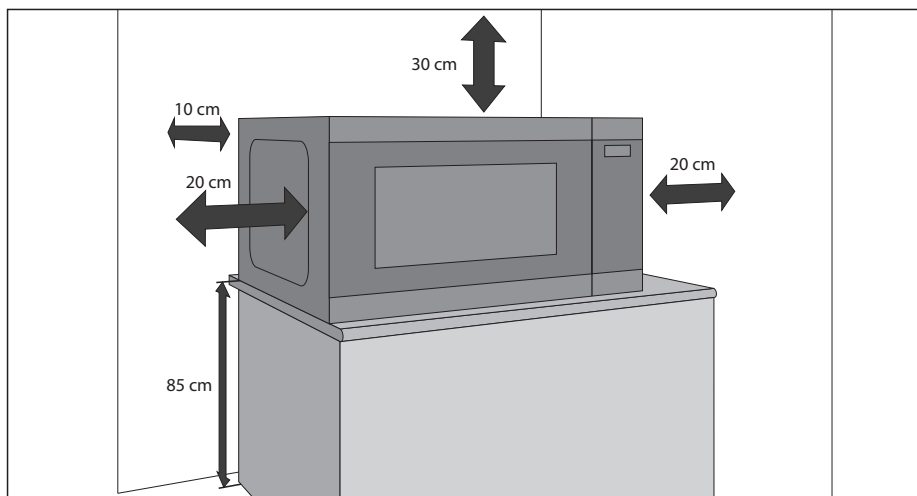
pavyzdžiui, parduotuvių, biurų ir kitų darbo aplinkų personalo virtuvėse, ūkiuose, viešbučių, motelių ir kito tipo nuomojamų apgyvendinimo aplinkų klientams.



Šis ženklas reiškia, kad paviršiai naudojimo metu gali įkaisti.

MONTAVIMAS

1. Iš krosnelės vidaus išimkite visas pakavimo medžiagas ir nuplėškite bet kokią apsauginę plėvelę.
 2. Atidžiai patikrinkite, ar krosnelė neturi pažeidimo žymių.
 3. Pastatykite krosnelę ant patausa, lygaus paviršiaus, pakankamai tvirtu, kad galėtų išlaikyti krosnelės ir joje ruošiamų patiekalų svorį. Nestatykite krosnelės į spintą.
 4. Parinkite lygią vietą, kad būtų užtikrinta pakankamai atviros vietos oro įtraukimo ir (ar) išpūtimo angoms. Žr. paveikslėlį pirmame puslapyje. Prietaiso galinė pusė turėtų būti nukreipta į sieną.
- Mažiausias montavimo aukštis yra 85 cm.
 - Tarp krosnelės šonų ir gretimų daiktų ar sienų reikia palikti bent 20 cm tarpą.
 - Palikite mažiausiai 30 cm tarpą virš krosnelės.
 - Nenuimkite kojelių, esančių krosnelės apačioje.
 - Ventiliacinių angų blokavimas gali sugadinti krosnelę.
 - Pastatykite krosnelę kuo toliau nuo radijo imtuvų ir TV. Krosnelės veikimas gali trikdyti radijo ar TV signalų priėmimą.



5. Saugiai įjunkite krosnelės kištuką į standartinį, įžemintą elektros lizdą.

ĮSPĖJIMAS:

nestatykite krosnelės karštį skleidžiančiose ir drėgmę kaupiančiose vietose (pavyzdžiui, šalia tradicinės krosnies) arba šalia greitai užsidegančių medžiagų (pavyzdžiui, užuolaidų).

Neuždenkite ir neūžblokuokite ventiliacinių angų.

Nestatykite daiktų ant krosnelės.

Nelieskite mikrobangų krosnelės paviršiaus jos veikimo metu ar iškart po to, kadangi ji įkaista.

RADIJO TRIKDŽIAI

Naudojama mikrobangų krosnelė gali sukelti trikdžius radijo, TV ar panašiems įrenginiams. Pasireiškus trikdžiams, juos galima sumažinti arba pašalinti tokiomis priemonėmis:

1. Nuvalykite dureles ir krosnelės angą jų susijungimo vietoje.
2. Pasukite radijo imtuvo ar televizoriaus anteną į kitą pusę.
3. Pakeiskite mikrobangų krosnelės vietą, atsižvelgdami į imtuvą.
4. Junkite mikrobangų krosnelę į skirtingą maitinimo lizdą, kad mikrobangų krosnelė ir imtuvai būtų maitinami iš skirtingų grandinių.

ĮŽEMINIMO INSTRUKCIJOS

Šis prietaisas turi būti įžemintas. Šioje krosnelėje įrengtas kabelis su įžeminimo laidu ir kištuku. Jį reikia prijungti prie sieninio lizdo, kuris yra tinkamai įrengtas ir įžemintas. Elektros sistemoje įvykus trumpajam jungimui įžeminimas sumažina sužalojimo elektros srove pavojų leisdamas elektros srovei ištėkėti kitu laidu. Rekomenduojama naudoti atskirą grandinę, prie kurios prijungiama tik krosnelė.



ĮSPĖJIMAS: netinkamas įžeminimo kištuko naudojimas kelia elektros smūgio pavojų.

PASTABA:

1. jei turite klausimų apie įžeminimo arba elektros energijos naudojimo instrukcijas, kreipkitės į kvalifikuotą elektriką arba techninės priežiūros darbuotoją.
2. Nei prietaiso gamintojas, nei jo platintojas nėra atsakingas dėl krosnei padarytos žalos ar asmeninių sužeidimų, kilusių dėl elektros prijungimo procedūrų nepaisymo.

Jūsų mikrobangų krosnelėje naudojamo maitinimo laido gyslų spalvų reikšmės:

Žalia ir geltona = ĮŽEMINIMAS

Mėlyna = NEUTRALUS

Rudas = ĮTAMPINGASIS

TECHNINIAI DUOMENYS

Modelio pavadinimas:		YC-PS204A.	YC-PS234A.	YC-PS254A.	YC-PG204A.	YC-PG234A.	YC-PG254A.	YC-PG284A.
Kintamosios srovės linijinė įtampa		230~240 V, 50 Hz, vienos fazės						
Paskirstymo linijos saugiklis / srovės pertraukiklis		10 A						
Galia:	Mikrobangos	700 W	900 W	900 W	700 W	900 W	900 W	900 W
	Grilis				900 W	1000 W	1000 W	1000 W
	Išjungtas („Off“) režimas	< 0,5 W						
	Energijos taupymo režimas	> 0,5 W						
	Reikalinga kintamoji elektros srovė	1200 W	1400 W	1400 W	1400 W	1400 W	1400 W	1400 W
Mikrobangų dažnis		2450 MHz*						
Išoriniai matmenys (plotis) x (aukštis) x (gylis) mm		455 x 274 x 334	483 x 281 x 377	483 x 281 x 403	455 x 274 x 345	483 x 281 x 395	483 x 281 x 403	539 x 309 x 441
Krosnelės vidaus matmenys (plotis) x (aukštis) x (gylis)** mm		315 x 198 x 297	340 x 220 x 320	340 x 220 x 344	315 x 198 x 297	340 x 220 x 320	340 x 220 x 344	354 x 220 x 358
Krosnelės tūris		20 litrai**	23 litrai**	25 litrai**	20 litrai**	25 litrai**	25 litrai**	28 litrai**
Besisukancio padėklų skersmuo		245 mm	270 mm	270 mm	245 mm	270 mm	270 mm	325 mm
Grilio grotelių dydis (plotis) x (gylis) mm					190 x 79	80 x 208	80 x 208	89 x 285
Svoris		apie 10,5 kg	apie 12,9 kg	apie 13,5 kg	apie 10,9 kg	apie 13,9 kg	apie 13,7 kg	apie 16,6 kg
Orkaitės apšvietimo lemputė (LED tipo)		1,5 W						

* - Šis gaminytis atitinka Europos standarto EN55011 reikalavimus.

Pagal šį standartą gaminytis klasifikuojamas kaip 2 grupės, B klasės įranga.

2 grupė reiškia, kad įranga maistui šildyti gamina radijo dažnio energiją elektromagnetinės spinduliuotės forma.

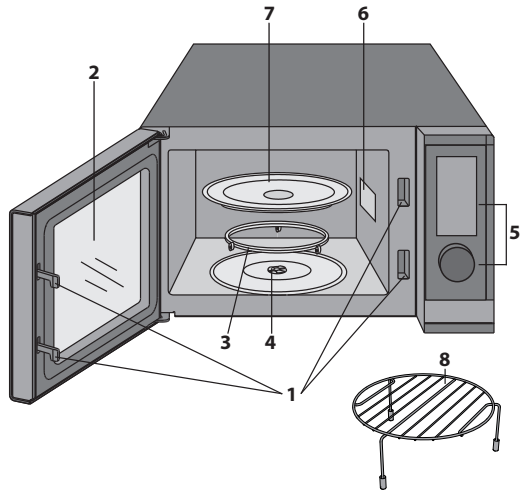
B klasės įranga reiškia, kad ji yra tinkama naudoti namų ūkyje.

** - Vidinis tūris yra apskaičiuotas išmatavus didžiausią vidinį plotį, gylį ir aukštį. Tikrasis maistui laikyti skirtas tūris yra mažesnis.

KADANGI MŪŠŲ POLITIKOS DALIS YRA NUOLATINIS TOBULĖJIMAS, MES PASILIEKAME TEISĖ BE IŠANKSTINIO ĮSPĖJIMO ATLIKTI KONSTRUKCIJOS IR TECHNINIŲ DUOMENŲ PAKEITIMUS.

KROSNELĖ IR PRIEDAI

1. Durelių užrakto mechanizmas
2. Krosnelės langelis
3. Besisukantis atraminis žiedas
4. Besisukančio padėklo jungtis
5. Valdymo rankenėlė ir mygtukai
6. Bangolaidžio uždanga (nenuimti)
7. Stiklinis padėklas
8. Grilio grotelės modeliams YC-PG204A, YC-PG234A, YC-PG254A ir YC-PG284A
9. Ventilacijos angos
10. Išorinė danga
11. Elektros tiekimo laidas



Patikrinkite, ar visi priedai yra įtraukti:

Tik krosnelių su griliumi:

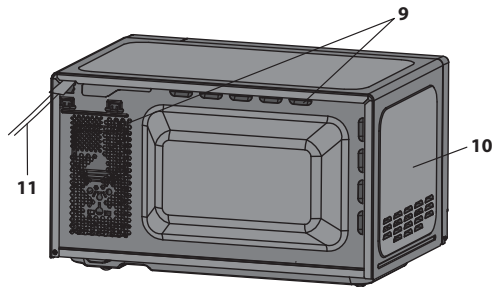
- **Grilio grotelės** – gaminant maistą tik su grilio funkcija.
- Grotelės skirtos naudoti tik su grilio funkcija. Nenaudokite grotelių, kai naudojate mikrobangų funkciją.
- Apie tai, kaip naudoti grilio grotelės, skaitykite šio naudojimo vadovo skyriuose apie GRILĮ.


Niekada rankomis nelieskite įkaitusių grotelių.

PASTABA: kai užsisakote priedus, nurodykite du dalykus: dalies ir modelio pavadinimus.

PASTABOS:

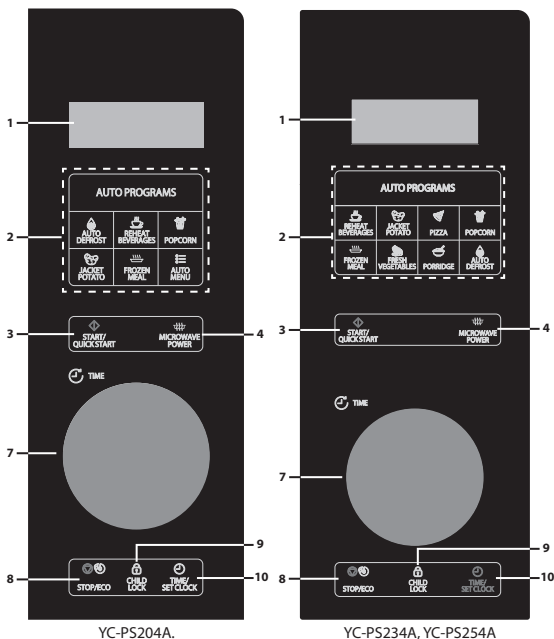
- Po riebaus maisto gaminimo neuždengus visada išvalykite krosnelės vidų, nes jis turi būti sausas ir netaukuotas. Nusistovėję riebalai gali perkaisti, pradėti smilkti ir užsidegti.
- Naudodami mikrobangų krosnelę indus visada dėkite ant besisukančio padėklo.
- **NENAUDOKITE** grilio grotelių naudodami tik mikrobangų funkciją.



⚠️ ĮSPĖJIMAS:  šis simbolis reiškia, kad gaminimo metu paviršiai gali įkaisti. Durelės, išorinis dangtis, krosnelės vidus, priedai ir indai veikimo metu pasidaro itin karšti. Kad išvengtumėte nudegimų, visada naudokite orkaitės pirštines.

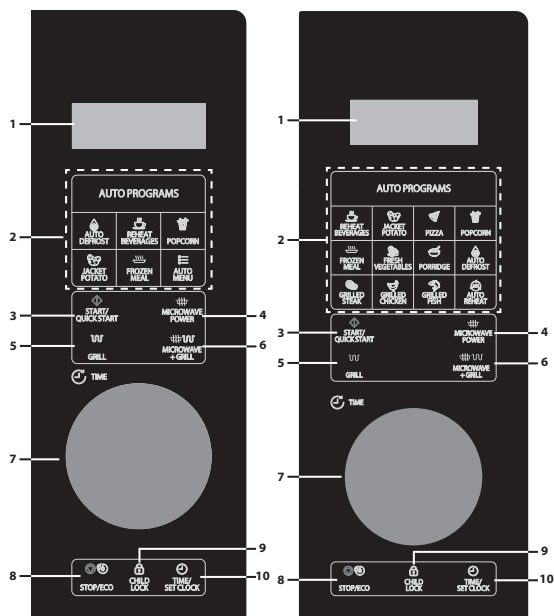
VALDYMO SKYDELIS

1. **SKAITMENINIS EKRANAS** – rodomas gaminimo laikas, galios lygis, indikatoriai ir laikrodis.
2. **AUTO MENIU mygtukai** – spausiti, norint pasirinkti automatinio maisto ruošimo meniu. (Patarimų dėl naudojimo ieškokite 17psl.).
3. **START/QUICK START** (paleidimas / greitis paleidimas) – (16 psl.).
4. **MICROWAVE POWER** (mikrobangos) – paspauskite, kad pasirinktumėte mikrobangų galios lygį.(15 psl.).
5. **GRILL** (grilis) – paspauskite, norėdami įjungti grilio programą. (16 psl.).
6. **MICROWAVE+GRILL** (mikrobangos + grilis) – paspauskite, norėdami pasirinkti gaminimo, kombinuojant mikrobangas ir grilį, režimą. (16 psl.).
7. **RANKENĖLĖ** – sukite laikrodžio rodyklės kryptimi arba prieš laikrodžio rodyklę nustatyti įvairioms funkcijoms.
8. **STOP/ECO** (sustabdyti / ekonominis režimas) – paspauskite vieną kartą, norėdami sustabdyti gaminimą, arba du kartus, norėdami visai atšaukti programą. Naudokite, norėdami nustatyti energijos taupymo režimą. (21 psl.).
9. **CHILD LOCK** (užraktas nuo vaikų) – (22 psl.).
10. **TIME/SET CLOCK** (laikrodis / laikmatis) – naudojamas nustatyti laikrodį ir laikmačio funkciją.(14 psl.).



YC-PS204A.

YC-PS234A, YC-PS254A



YC-PG204A.

YC-PG234A, YC-PG254A,
YC-PG284A.

PRIEŠ NAUDOJANT KROSNELĘ

Pirmą kartą įjungus krosnelę į maitinimo šaltinį, pasigirs pyptelėjimas, o ekrane bus rodoma „1:00“. Atkreipkite dėmesį, jog laikrodį neturi būti nustatytas, kad krosnelė tinkamai veiktų. Norėdami nustatyti laikrodį vadovaukitės nurodymais šio naudojimo vadovo skyriuje „**Laikrodžio nustatymas**“.

Patį pirmą kartą naudojant grilį, pradės sklįsti dūmai ir kvapai. Kad taip nenutiktų gaminant maistą, įjunkite grilio funkciją apie 20 minučių be maisto.

- Atidarius ir uždarius dureles, krosnelė veiks parengties režimu. Jei 1 minutę nepaspaudžiamas joks mygtukas, ekranas liks įjungtas, o mygtukai neveiks. Norėdami vėl grįžti prie parengties režimo, atidarykite ir uždarykite dureles.
- Jei maisto ruošimo metu vieną kartą paspaudžiamas **STOP/ECO** mygtukas, maisto ruošimo ciklas sustabdomas. Norėdami vėl paleisti procesą, paspauskite **START/QUICK START** mygtuką. Jeigu du kartus paspaudžiamas mygtukas **STOP/ECO** maisto gaminimo operacija atšaukiama.
- Programuojant krosnelę konkrečiai funkcijai, jei tarp mygtukų paspaudimų praeina daugiau nei 30 sekundžių, krosnelė grįžta į parengties režimą.
- Pasibaigus maisto ruošimo ciklui, ekrane rodoma „End“ (pabaiga), kas dvi minutes skamba garsinis signalas iki kol paspaudžiamas mygtukas arba atidaromos krosnelės durelės.

LAIKRODŽIO NUSTATYMAS

Ši krosnelė turi laikrodį, kurį galima nustatyti 12 arba 24 valandų formatu. Norėdami nustatyti laikrodį vadovaukitės šiais nurodymais:

1. Kad galėtumėte atlikti laikrodžio nustatymus, parengties režimu nuspauskite ir 3 sekundes palaikykite mygtuką **TIME/SET CLOCK** (laikas / laikrodžio nustatymas).
 2. Paspauskite mygtuką **TIME/SET CLOCK** pasirinkti 12 arba 24 valandų formatą.
 3. Pasukite **rankenėlę** nustatyti valandų reikšmei. Paspauskite mygtuką **TIME/SET CLOCK** išsaugoti.
 4. Pasukite **rankenėlę** nustatyti minučių reikšmei. Paspauskite mygtuką **TIME/SET CLOCK** išsaugoti ir užbaigti laikrodžio nustatymą.
- Krosnelė tinkamai veikia ir neatlikus laikrodžio nustatymų.
 - Maisto gaminimo režimu paspauskite mygtuką **TIME/SET CLOCK** peržiūrėti paros laiką (jei nustatytas). Po penkių sekundžių paros laiką pakeis maisto ruošimo ciklui likusio laiko reikšmė. Atkreipkite dėmesį, kad paros laiko negalima peržiūrėti, jeigu yra nustatytas laikmatis.

GAMINIMAS MIKROBANGŲ KROSNELĖJE

Norėdami naudoti mikrobangų funkciją, vadovaukitės šiais nurodymais:

1. Parengties režimu paspauskite mygtuką **MICROWAVE POWER** (mikrobangų galia) pasirinkti galios lygmenį. Kaskart, paspaudus šį mygtuką, ekrane rodomas mikrobangų galios lygis.
2. Pasirinkę mikrobangų galios lygmenį, pasukite **rankenėlę** pasirinkti maisto gaminimo trukmę.
3. Nuspauskite **START/QUICK START** (paleidimo / greitojo paleidimo) mygtuką, kad pradėtumėte gaminimą.
4. Pasibaigus maisto ruošimo ciklui, ekrane rodoma „End“ (pabaiga), kas dvi minutes skamba garsinis signalas iki kol paspaudžiamas mygtukas arba atidaromos krosnelės durelės.

Atkreipkite dėmesį, kad toliau pateikiama informacijos lentelė. Jūsų krosnelė gali veikti 10 galios lygmenimis, t. y. 10%, 20%, 30%, 40%, 50%, 60%, 70%, 80%, 90% ir 100 %. Faktinę galią vatais galite apskaičiuoti padauginami krosnelės galią iš procentų.

Patarimai gaminant mikrobangų krosnele:

Ekranas	Mikrobangų galios lygis	Kada patartina naudoti
P100	100 %	Naudokite norėdami greitai gaminti ar atitirpinti maistą, pvz., apkepus, karštus gėrimus, daržoves ir pan.
P-80	80 %	Skirta tankaus maisto paruošimui, paprastai gaminamam ilgą laiką, pvz. jautiena. Šį galios lygį rekomenduojama naudoti, kad mėsa būtų minkšta.
P-60	60 %	Naudojama ilgesniam tankaus maisto gaminimui, pvz., kepsniams, mėsos gabalams ir maistui lėkštėse, taip pat jautriems patiekalams, tokiems kaip sūrio padažas ar biskvitai.
P-40	40 %	Atitirpinimo režimas. Pasirinkite šį galios lygmenį, kad užtikrintumėte, jog patiekalas atitirpsta tolygiai. Šis nustatymas taip pat idealus ryžių, makaronų, koldūnų pavirinimui ir kiaušinių kremu gaminimui.
P-20	20 %	Lengvam atitirpinimui, pvz. kreminio pyrago ar pyragaičio.

- Maisto ruošimo metu galite patikrinti galios lygmenį paspaudę ir palaikę mygtuką **MICROWAVE POWER** (mikrobangų galia).
- Ilgiausia gaminimo trukmė yra 95 minutės.

SPARTUSIS PALEIDIMAS

Jeigu reikia ruošti maistą 100 % galios lygmeniu, užtenka paspausti mygtuką **START/QUICK START** (paleidimas / greitasis paleidimas) **rankenėle**, esant parengties režimui. Kiekvienu mygtuko **START/QUICK START** paspaudimu pridėdamos 30 sekundžių maisto ruošimo trukmės.

KEPIMAS GRILIUMI*

Krosnelės viršuje esantis grilio kaitinimo elementas turi tik vieną nustatymą, kuris yra efektyvus ir ekonomiškas. Grilis idealiai tinka ruošti šoninę, kiaulienos kumpio kepsnį, žuvies pirštelius ar arbatinius sausainius.

Ant grilio grotelių dėkite smulkius produktus, tokius kaip šoninė, dešrelės ir juos apverskite įpusėję kepti. Maisto produktus galima dėti tiesiai ant grotelių arba sudėti į platų indą ar karščiui atsparios lėkštės. Pasirūpinkite, kad po grilio grotelėmis būtų padėtas tinkamas padėklas, į kurį galėtų nuo ruošiamo maisto nuvarvėti riebalai ar aliejus. Norint pakepinti ar apskrudinti maisto paviršių troškintuve, tą galima daryti ant grilio grotelių, tik indas turi būti pakankamai negilus. Tačiau tokius indus patartina dėti tiesiai ant besisukančio padėklo ir skirti daugiau laiko apkepimui ar apskrudinimui. Grilio grotelių negalima naudoti kepinimui.

Norėdami naudoti grilio funkciją, vadovaukitės šiais nurodymais:

1. Parengties režimu paspauskite mygtuką **GRILL** (grilis) pasirinkti grilio funkciją. Ekране bus rodoma „**Grill**“ (grilis).
2. Pasukite **rankenėle** pasirinkti maisto ruošimo trukmę.
3. Nuspauskite **START/QUICK START** (paleidimo / greitojo paleidimo) mygtuką, kad pradėtumėte gaminimą.
4. Pasibaigus maisto ruošimo ciklui, ekrane rodoma „**End**“ (pabaiga), kas 2 minutes skamba garsinis signalas iki kol paspaudžiamas mygtukas arba atidaromos krosnelės durelės.

* - Tik modeliams su griliumi.

MIKROBANGOS + GRILIS*

Naudojant mikrobangų ir grilio funkcijas vienu metu galima greitai paruošti ir apskrudinti maistą. Norėdami naudoti mikrobangų kartu su griliumi funkciją, vadovaukitės šiais nurodymais:

1. Budėjimo režimu vieną arba du kartus paspauskite mygtuką **MICROWAVE+GRILL** (mikrobangos + grilis) pasirinkti „Co-1“ arba „Co-2“.
2. Pasukite **rankenėle** pasirinkti maisto ruošimo trukmę.
3. Norėdami paleisti, spauskite **START/QUICK START** (paleidimo / greitojo paleidimo) mygtuką.
4. Pasibaigus maisto ruošimo ciklui, ekrane rodoma „**End**“ (pabaiga), kas dvi minutes skamba garsinis signalas iki kol paspaudžiamas mygtukas arba atidaromos krosnelės durelės.

Mikrobangų + grilio funkcija

Ekranas	Galia	Kada patartina naudoti
Co-1	70 % grilis, 30 % mikrobangos	Vištienos gabalėliai, vištienos krūtinėlės, kiaulienos žlėgtainiai
Co-2	56 % grilis, 44 % mikrobangos	Visas viščiukas

- Ilgiausia gaminimo trukmė su griliumi yra 95 minutės.
- Naudodami grilį išvėdinkite dūmus ar kvapus praverdami langą ar įjungdami virtuvėje ventiliaciją. Tai – normalu ir nėra krosnelės gedimas.
- Maisto ruošimo metu galite patikrinti naudojamą maisto ruošimo galios kombinaciją paliesdami mygtuką **MICROWAVE + GRILL** (mikrobangos + grilis).
- Kai naudojama grilio funkcija, grilis įsijungia ir išsijungia reguliariais intervalais, kad būtų išvengta perkaitimo.
- Naudojant mikrobangų + grilio funkciją, maistą galima dėti tinkamame inde tiesiai ant besisukančio padėklo arba ant grilio grotelių.

ĮSPĖJIMAS: durelės, išorinė danga, krosnelės vidus, priedai ir indai krosnelės veikimo metu labai įkaista. Kad išvengtumėte nudegimų, visada naudokite storas orkaitės pirštines.

* - Tik modeliams su griliumi.

AUTOMATINIS MENIU

Kad būtų patogiau, automatinės programos suteikia galimybę ruošti maistą greitai ir efektyviai, paspaudus vos kelis mygtukus. Nebūtina nustatinėti maisto ruošimo trukmės ar galios. Tereikia paspausti reikiamą automatinio maisto ruošimo mygtuką, įvesti svorį / gabalėlių skaičių, pasukant **rankenėlę** ir paspausti START/QUICK START (paleidimo / greitojo paleidimo) mygtuką.

Pavyzdžiai, norėdami gaminti dvi bulves su lupenomis.

1. Atidarykite dureles ir sudėkite maistą į krosnelę, naudodami tinkamus indus naudojamam ruošimo ciklui.
2. Uždarykite dureles.
3. Vieną kartą palieskite mygtuką **JACKET POTATO** (bulvės su lupenomis).
4. Pasukdami **rankenėlę** įveskite bulvių skaičių.
5. Paspauskite **START/QUICK START** (paleidimo / greitojo paleidimo) mygtuką.
6. Pasibaigus maisto ruošimo ciklui, ekrane rodoma „End“ (pabaiga), kas dvi minutes skamba garsinis signalas iki kol paspaudžiamas mygtukas arba atidaromos krosnelės durelės.

Automatinio gaminimo meniu:

Automatinė programa	Dydis / svoris
Frozen Meal (užšaldyti produktai) Auto Defrost (automatinis atitirpinimas) Auto Reheat (automatinis pašildymas)	Pasirinkite svorį, sukdami rankenėlę . Užšaldyti produktai ir automatinis pašildymas (nuo 200 iki 800 g), automatinis atitirpinimas (nuo 100 iki 1800 g)
Reheat Beverages (gėrimų pašildymas)	Pasirinkite puodelių skaičių (po 200 ml kiekvienas) sukdami rankenėlės valdiklį nuo 1 iki 3 puodelių.
Jacket Potato (su lupenomis virtos bulvės)	Pasirinkite bulvių skaičių (po 230 g kiekviena) sukdami rankenėlės valdiklį nuo 1 iki 2 bulvių.
Pizza (pica)	Pasirinkite picos svorį (150 g / 300 g / 450 g) sukdami rankenėlės valdiklį.
Popcorn (kukurūzų spragėsiai)	Pasirinkite spragėsių pakelių skaičių (po 100 g kiekvienas) sukdami rankenėlės valdiklį.
Fresh Vegetables (šviežios daržovės)	Pasirinkite šviežių daržovių svorį (nuo 200 g iki 600 g) sukdami rankenėlės valdiklį.
Porridge (kruopų košė)	Pasirinkite kruopų svorį (gramais) sukdami rankenėlės valdiklį nuo 50 iki 150 g.
Grilled Steak (ant grotelių keptas kepsnys) (tik modeliuose su griliumi)	Pasirinkite kepsnio svorį (nuo 200 g iki 600 g) sukdami rankenėlės valdiklį.
Grilled Chicken (ant grotelių kepta vištiena) (tik modeliuose su griliumi)	Pasirinkite vištienos svorį (nuo 200 g iki 600 g) sukdami rankenėlės valdiklį.
Grilled Fish (ant grotelių kepta žuvis) (tik modeliuose su griliumi)	Pasirinkite žuvies svorį (nuo 200 g iki 600 g) sukdami rankenėlės valdiklį.

- Automatinio gaminimo rezultatas priklauso nuo tokių veiksnių, kaip maisto produkto forma ir dydis, asmeniniai pasirinkimai, tam tikrų maisto produktų paruošimas ir netgi to, kaip įdėsite maisto produktus į krosnelę. Jei gaunate nepatenkinamą rezultatą, atitinkamai pakoreguokite gaminimo trukmę.

Pastaba: Automatinio meniu mygtukas naudojamas tik YC-PG204A ir YC-PS204A modeliuose. Kiekvieną kartą nuspaudus automatinio meniu mygtuką, ekrane bus rodoma automatinė programa, kaip pavaizduota aukščiau pateiktoje lentelėje.

Radus pageidaujamą automatinį meniu, pasukite valdiklį **JOG DIAL** ir pasirinkite gaminamo maisto produkto svorį.

Informacija apie automatines programas

Maisto tipas	Kiekis	Pradinė temperatūra	Nurodymai, kaip ruošti
Gėrimų pašildymas	1–3 puodeliai = 200 ml	Kambario	<ol style="list-style-type: none"> 1. Pastatykite šildomą gėrimą ant mikrobangų krosnelės besiuskančio padėklo vidurio. 2. Uždarykite dureles, paspauskite mygtuką REHEAT BEVERAGES (pašildyti gėrimus) ir rankenėles pasukimu pasirinkite puodelių skaičių. 3. Nuspauskite mygtuką START/QUICK START (paleidimas / greitisis paleidimas), kad pradėtų šildyti. 4. Pasibaigus nustatytam laikui, atsargiai išimkite gėrimus, kadangi jie bus karšti.
Su lupenomis virtos bulvės	1–2 bulvės 1 bulvė = apie 230±10 g	Kambario	<ol style="list-style-type: none"> 1. Nuplaukite ir nusauskite bulvę(-es) ir kelis kartus paversių pabadykite sakute. 2. Pastatykite bulvę(-es) ant mikrobangų krosnelės besiuskančio padėklo vidurio. 3. Uždarykite dureles, paspauskite mygtuką JACKET POTATO (su lupenomis virtos bulvės) ir rankenėles pasukimu pasirinkite bulvių skaičių. 4. Nuspauskite START/QUICK START (paleidimo / greitojo paleidimo) mygtuką, kad pradėtųmetė gaminimą. 5. Pasibaigus nustatytam laikui, atsargiai išimkite bulvę(-es), kadangi maistas bus karštas.
Pica	150–450 g	Užšaldyta, -18 °C	<ol style="list-style-type: none"> 1. Įdėkite picą į mikrobangų krosnelėje tinkamą naudoti lėkštę ir pastatykite ant besiuskančio padėklo vidurio. 2. Uždarykite dureles, paspauskite mygtuką PIZZA (pica) ir rankenėles pasukimu pasirinkite svorį. 3. Nuspauskite START/QUICK START (paleidimo / greitojo paleidimo) mygtuką, kad pradėtųmetė gaminimą. 4. Pasibaigus nustatytam laikui, atsargiai išimkite picą iš mikrobangų krosnelės, kadangi maistas bus karštas.
Kukurūzų spragėsiai	100 g	Kambario	<ol style="list-style-type: none"> 2. Pastatykite kukurūzų spragėsius ant mikrobangų krosnelės besiuskančio padėklo vidurio. 2. Uždarykite dureles ir paspauskite mygtuką POPCORN (kukurūzų spragėsiai). 3. Nuspauskite START/QUICK START (paleidimo / greitojo paleidimo) mygtuką, kad pradėtųmetė gaminimą. 4. Pasibaigus nustatytam laikui, atsargiai išimkite kukurūzų spragėsius iš mikrobangų krosnelės, kadangi maistas bus karštas.
Užšaldytas patiekalas	200–800 g	Užšaldyta, -18 °C	<ol style="list-style-type: none"> 1. Įdėkite užšaldytą patiekalą į mikrobangų krosnelėje tinkamą naudoti indą, uždenkite plevėle, joje prabadykite skylučių. 2. Pastatykite indą ant mikrobangų krosnelės besiuskančio padėklo vidurio. 3. Uždarykite dureles, paspauskite mygtuką FROZEN MEAL (užšaldytas patiekalas) ir rankenėles pasukimu pasirinkite svorį. 4. Nuspauskite START/QUICK START (paleidimo / greitojo paleidimo) mygtuką, kad pradėtųmetė gaminimą. 5. Pasibaigus nustatytam laikui, maistą išimkite ir patiekite. Būkite atsargūs, kadangi maistas bus karštas.
Sviežios daržovės	200–600 g	Kambario	<ol style="list-style-type: none"> 1. Nuplaukite daržoves ir supjaustykite 2–30 mm ilgio ir 10 mm storio gabaliukais. 2. Sudėkite pjaustytas daržoves į mikrobangų krosnelėje tinkamą naudoti keramininį dubenį, uždenkite plevėle, joje prabadykite skylučių. 3. Pastatykite dubenį ant mikrobangų krosnelės besiuskančio padėklo vidurio. 4. Uždarykite dureles, paspauskite mygtuką FRESH VEGETABLES (sviežios daržovės) ir rankenėles pasukimu pasirinkite svorį. 5. Nuspauskite START/QUICK START (paleidimo / greitojo paleidimo) mygtuką, kad pradėtųmetė gaminimą. 6. Pasibaigus nustatytam laikui, maistą išimkite ir patiekite. Būkite atsargūs, kadangi maistas bus karštas.
Krupų košė	50–150 g	Kambario	<ol style="list-style-type: none"> 1. Dubenyje sumaišykite avižinius dribsnius su pienu. Rekomenduojame 180 ml pieno naudoti su 50 g avižinių dribsnių. 2. Pastatykite dubenį ant besiuskančio padėklo vidurio. 3. Uždarykite dureles, paspauskite mygtuką PORRIDGE (krupų košė) ir rankenėles pasukimu pasirinkite svorį. 4. Nuspauskite START/QUICK START (paleidimo / greitojo paleidimo) mygtuką, kad pradėtųmetė gaminimą. 5. Pasibaigus nustatytam laikui, išimkite ir patiekite.
Automatinis pašildymas	200–800 g	Atvėsinta, 5 °C	<ol style="list-style-type: none"> 1. Sudėkite atšalusius ryžius ar makaronus į mikrobangų krosnelėje tinkamą naudoti keramininį dubenį, uždenkite plevėle, joje prabadykite skylučių. 2. Pastatykite dubenį ant mikrobangų krosnelės besiuskančio padėklo vidurio. 3. Uždarykite dureles, paspauskite mygtuką AUTO REHEAT (automatinis pašildymas) ir rankenėles pasukimu pasirinkite svorį. 4. Nuspauskite START/QUICK START (paleidimo / greitojo paleidimo) mygtuką, kad pradėtųmetė gaminimą. 5. Pasibaigus nustatytam laikui, išimkite ir patiekite.
Ant grotelių keptas kepsnys	200–600 g	Kambario	<ol style="list-style-type: none"> 1. Tolygiai paskleiskite kepsnį ant grotelių, padengtų sviestiniu popieriumi. 2. Pastatykite groteles ant mikrobangų krosnelės besiuskančio padėklo vidurio. 3. Uždarykite dureles, paspauskite mygtuką GRILLED STEAK (ant grotelių keptas kepsnys) ir rankenėles pasukimu pasirinkite svorį. 4. Nuspauskite START/QUICK START (paleidimo / greitojo paleidimo) mygtuką, kad pradėtųmetė gaminimą. 5. Praėjus dviem trečdaliams nustatyto kepimo laiko, atidarykite dureles, apverskite maistą, uždarykite dureles ir tęskite kepimą. 6. Pasibaigus nustatytam laikui, maistą išimkite ir patiekite. Būkite atsargūs, kadangi maistas ir kepimo indai bus karšti.
Ant grotelių kepta vištiena	200–600 g	Kambario	<ol style="list-style-type: none"> 1. Tolygiai išdėliokite vištienos gabaliukus ant grotelių, padengtų sviestiniu popieriumi. 2. Pastatykite groteles ant mikrobangų krosnelės besiuskančio padėklo vidurio. 3. Uždarykite dureles, paspauskite mygtuką GRILLED CHICKEN (ant grotelių kepta vištiena) ir rankenėles pasukimu pasirinkite svorį. 4. Nuspauskite START/QUICK START (paleidimo / greitojo paleidimo) mygtuką, kad pradėtųmetė gaminimą. 5. Praėjus dviem trečdaliams nustatyto kepimo laiko, atidarykite dureles, apverskite maistą, uždarykite dureles ir tęskite kepimą. 6. Pasibaigus nustatytam laikui, maistą išimkite ir patiekite. Būkite atsargūs, kadangi maistas ir kepimo indai bus karšti.
Ant grotelių kepta žuvis	100–500 g	Kambario	<ol style="list-style-type: none"> 1. Tolygiai išdėliokite žuvies gabaliukus ant grotelių, padengtų sviestiniu popieriumi. 2. Pastatykite groteles ant mikrobangų krosnelės besiuskančio padėklo vidurio. 3. Uždarykite dureles, paspauskite mygtuką GRILLED FISH (ant grotelių kepta žuvis) ir rankenėles pasukimu pasirinkite svorį. 4. Nuspauskite START/QUICK START (paleidimo / greitojo paleidimo) mygtuką, kad pradėtųmetė gaminimą. 5. Praėjus dviem trečdaliams nustatyto kepimo laiko, atidarykite dureles, apverskite maistą, uždarykite dureles ir tęskite kepimą. 6. Pasibaigus nustatytam laikui, maistą išimkite ir patiekite. Būkite atsargūs, kadangi maistas ir kepimo indai bus karšti.

Pastaba	Krosnelės režimas ir naudojamas metodas	YC-PS204A	YC-PS234A ir YC-PS254A	YC-PG204A	YC-PG234A, YC-PG254A ir YC-PG284A
	Naudokite tik 100 % mikrobangų režimą.	1 puodelis: 1:40 minutės 2 puodeliai: 3:00 minutės 3 puodeliai: 4:20 minutės	1 puodelis: 1:30 minutės 2 puodeliai: 2:40 minutės 3 puodeliai: 3:50 minutės	1 puodelis: 1:40 minutės 2 puodeliai: 3:00 minutės 3 puodeliai: 4:20 minutės	1 puodelis: 1:30 minutės 2 puodeliai: 2:40 minutės 3 puodeliai: 3:50 minutės
	Naudokite tik 100 % mikrobangų režimą.	1 bulvė: 6:00 minutės 2 bulvės: 9:00 minutės 3 bulvės: 13:00 minučių	1 bulvė: 5:00 minutės 2 bulvės: 8:00 minutės 3 bulvės: 12:00 minučių	1 bulvė: 6:00 minutės 2 bulvės: 9:00 minutės 3 bulvės: 13:00 minučių	1 bulvė: 5:00 minutės 2 bulvės: 8:00 minutės 3 bulvės: 12:00 minučių
YC-PS204A ir YC-PG204A modeliuose reikia spausti mygtuką AUTO MENU (automatinis meniu) tol, kol rodoma norima programa.	Naudokite tik 100 % mikrobangų režimą.	150 g: 1:00 minutė 300 g: 1:30 minutės 450 g: 2:00 minutės	150g - 0:50 minutės 300 g: 1:20 minutės 450 g: 1:50 minutės	150 g: 1:00 minutės 300 g: 1:30 minutės 450 g: 2:00 minutės	150 g - 0:50 minutės 300 g: 1:20 minutės 450 g: 1:50 minutės
	Naudokite tik 100 % mikrobangų režimą.	100 g: 3:00 minutės	100 g: 2:00 minutės	100 g: 3:00 minutės	100 g: 2:30 minutės
	Naudokite 100 % režimą 1/2 dalį laiko, tada 0 % režimą 1/6 dalį laiko ir galiausiai 100 % režimą 1/3 dalį laiko.	200 g: 8:00 minutės 400 g: 11:00 minučių 600 g: 15:00 minučių 800 g: 18:00 minučių	200 g: 6:00 minutės 400 g: 9:00 minutės 600 g: 13:00 minučių 800 g: 16:00 minučių	200 g: 8:00 minutės 400 g: 11:00 minučių 600 g: 15:00 minučių 800 g: 18:00 minučių	200 g: 6:00 minutės 400 g: 9:00 minutės 600 g: 13:00 minučių 800 g: 16:00 minučių
YC-PS204A ir YC-PG204A modeliuose reikia spausti mygtuką AUTO MENU (automatinis meniu) tol, kol rodoma norima programa.	Naudokite tik 100 % mikrobangų režimą.	200 g: 03:30 minutės 300 g: 04:30 minutės 400 g: 05:30 minutės 500 g: 06:30 minutės 600 g: 07:30 minutės	200 g: 03:00 minutės 300 g: 04:00 minutės 400 g: 05:00 minutės 500 g: 06:00 minutės 600 g: 07:00 minutės	200 g: 03:30 minutės 300 g: 04:30 minutės 400 g: 05:30 minutės 500 g: 06:30 minutės 600 g: 07:30 minutės	200 g: 03:00 minutės 300 g: 04:00 minutės 400 g: 05:00 minutės 500 g: 06:00 minutės 600 g: 07:00 minutės
YC-PS204A ir YC-PG204A modeliuose reikia spausti mygtuką AUTO MENU (automatinis meniu) tol, kol rodoma norima programa.	Mikrobangos – 100 %	50 g: 02:00 minutės 100 g: 03:30 minutės 150 g: 05:30 minutės	50 g: 02:00 minutės 100 g: 03:30 minutės 150 g: 05:30 minutės	50 g: 02:00 minutės 100 g: 03:30 minutės 150 g: 05:30 minutės	50 g: 02:00 minutės 100 g: 03:30 minutės 150 g: 05:30 minutės
YC-PG204A modelyje reikia spausti mygtuką AUTO MENU (automatinis meniu) tol, kol rodoma norima programa.	Naudokite tik 100 % mikrobangų režimą.	200 g: 02:00 minutės 300 g: 02:40 minutės 400 g: 03:20 minutės 500 g: 04:00 minutės 600 g: 04:40 minutės 700 g: 05:20 minutės 800 g: 06:00 minutės	200 g: 01:30 minutės 300 g: 02:00 minutės 400 g: 02:30 minutės 500 g: 03:00 minutės 600 g: 03:30 minutės 700 g: 04:00 minutės 800 g: 04:30 minutės	200 g: 02:00 minutės 300 g: 02:40 minutės 400 g: 03:20 minutės 500 g: 04:00 minutės 600 g: 04:40 minutės 700 g: 05:20 minutės 800 g: 06:00 minutės	200 g: 01:30 minutės 300 g: 02:00 minutės 400 g: 02:30 minutės 500 g: 03:00 minutės 600 g: 03:30 minutės 700 g: 04:00 minutės 800 g: 04:30 minutės
YC-PG204A modelyje reikia spausti mygtuką AUTO MENU (automatinis meniu) tol, kol rodoma norima programa.	Krosnelė 10 sekundžių naudoja 100 % mikrobangų režimą, tada 23 sekundėmis įsijungia kepimo ant grotelių režimas. Toks ciklas kartojasi visą gaminimo laiką. Mikrobangų ir kepimo ant grotelių režimai niekada nebūna jungti vienu metu.	Nėra	Nėra	200 g: 15:00 minučių 300 g: 18:00 minučių 400 g: 21:00 minutė 500 g: 24:00 minutės 600 g: 27:00 minutės	200 g: 15:00 minučių 300 g: 18:00 minučių 400 g: 21:00 minutė 500 g: 24:00 minutės 600 g: 27:00 minutės
YC-PG204A modelyje reikia spausti mygtuką AUTO MENU (automatinis meniu) tol, kol rodoma norima programa.	Krosnelė 10 sekundžių naudoja 100 % mikrobangų režimą, tada 23 sekundėmis įsijungia kepimo ant grotelių režimas. Toks ciklas kartojasi visą gaminimo laiką. Mikrobangų ir kepimo ant grotelių režimai niekada nebūna jungti vienu metu.	Nėra	Nėra	200 g: 15:00 minučių 300 g: 18:00 minučių 400 g: 21:00 minutė 500 g: 24:00 minutės 600 g: 27:00 minutės	200 g: 15:00 minučių 300 g: 18:00 minučių 400 g: 21:00 minutė 500 g: 24:00 minutės 600 g: 27:00 minutės
YC-PG204A modelyje reikia spausti mygtuką AUTO MENU (automatinis meniu) tol, kol rodoma norima programa.	Krosnelė 10 sekundžių naudoja 100 % mikrobangų režimą, tada 23 sekundėmis įsijungia kepimo ant grotelių režimas. Toks ciklas kartojasi visą gaminimo laiką. Mikrobangų ir kepimo ant grotelių režimai niekada nebūna jungti vienu metu.	Nėra	Nėra	100 g: 12:00 minučių 200 g: 15:00 minučių 300 g: 18:00 minučių 400 g: 21:00 minutė 500 g: 24:00 minutės	100 g: 12:00 minučių 200 g: 15:00 minučių 300 g: 18:00 minučių 400 g: 21:00 minutė 500 g: 24:00 minutės

AUTOMATINIS ATITIRPINIMAS

Automatinio atitirpinimo programa suteikia galimybę atitirpinti produktus pagal svorį. Atitirpinimo trukmė ir galios lygis nustatomi automatiškai, kai tik pasirinkama produkto kategorija ir svoris. Užšaldytų produktų svoris gali būti nuo 100 g iki 1800 g.

1. Parengties režimu paspauskite mygtuką **AUTO DEFROST** (automatinis atitirpinimas).
2. Pasukite **rankenėlę** pasirinkti atitirpinamo produkto svorį.
3. Paspauskite mygtuką **START / QUICK START** (paleidimas / greitis paleidimas), kad pradėtumėte atitirpinimą.
4. Jei atitirpinimo cikle krosnelė sustoja, apverskite maisto produktus, kad užtikrintumėte tolygų atitirpinimą ir tada paspauskite **START/QUICK START** (paleidimo / greitojo paleidimo) mygtuką paleisti likusį atitirpinimo ciklo laiką.
5. Pasibaigus atitirpinimo ciklui, ekrane rodoma „**End**“ (pabaiga), kas 2 minutes skamba garsinis signalas iki kol paspaudžiamas mygtukas arba atidaromos krosnelės durelės.

Automatinis atitirpinimas – funkcijos veikimas

Modelis	Svorio intervalas	Atitirpinimo laiko intervalas	Atitirpinimo funkcijos veikimas	Metodas
YC-PG204A	100–1800 g	Nuo 5,5 iki 39,5 minučių	1/3 dalį laiko naudokite 40 % režimo, tada 20 % režimą kitą 1/3 dalį laiko. Pranešimas apversti produktus. Po to likusią laiko dalį atitirpinimas vyks 20 % režimu.	1. Sudėkite šaldytus produktus į mikrobangų krosnelėje tinkamą naudoti indą, uždenkite plėvele, joje prabadykite skylių.
YC-PG204A	100–1800 g	Nuo 5 iki 39 minučių	Pusę ciklo laiko naudojamas 20 % mikrobangų režimas, nurodymas apversti. 20 % galios režimas likusį ciklo laiką.	2. Pastatykite indą ant mikrobangų krosnelės besisukančio padėklo vidurio.
YC-PS234A ir YC-PG234A	100–1800 g	Nuo 5,5 iki 39,5 minučių	1/3 dalį laiko naudokite 30 % režimo, tada 20 % režimą kitą 1/3 dalį laiko. Pranešimas apversti produktus. Po to likusią laiko dalį atitirpinimas vyks 20 % režimu.	3. Uždarykite dureles, paspauskite mygtuką AUTO DEFROST (automatinis atitirpinimas) ir rankenėlės pasukimu pasirinkite svorį.
YC-PS254A, YC-PG254A ir YC-PG284A	100–1800 g	Nuo 3 iki 37 minučių		4. Nuspauskite PALEIDIMO / SPARČIOJO PALEIDIMO mygtuką, kad pradėtumėte atitirpinimą.
				5. Atitirpinimo ciklo eigoje krosnelė sustabds darbą ir paprašys apvartyti maisto produktus.
				6. Atidarykite dureles, apvartykite ar perdėliokite maisto produktus. Uždarykite dureles.
				7. Nuspauskite PALEIDIMO / SPARČIOJO PALEIDIMO mygtuką, kad tęstumėte atitirpinimą.
				8. Pasibaigus nustatytam laikui, išimkite maistą iš krosnelės. Patikrinkite, kad produktai būtų gerai atitirpę.

AUTOMATINIS PAŠILDYMAS*

Ši krosnelė suteikia galimybę pašildyti maistą pagal naudotojo įvedamą svorio reikšmę. Pašildymo trukmė ir galia nustatomos automatiškai, kai nurodoma maisto produkto kategorija ir svoris. Pašildomų produktų svoris gali būti nuo 100 g iki 800 g.

1. Parengties režimu paspauskite mygtuką **AUTO REHEAT** (automatinis pašildymas).
2. Pasukite **rankenėlę** pasirinkti pašildomo produkto svorį.
3. Paspauskite **START/QUICK START** (paleidimo / greitojo paleidimo) mygtuką.
4. Pasibaigus maisto ruošimo ciklui, ekrane rodoma „**End**“ (pabaiga), kas dvi minutes skamba garsinis signalas iki kol paspaudžiamas mygtukas arba atidaromos krosnelės durelės.

* - Tik modeliams su griliumi.

VIRTUVĖS LAIKMATIS

Krosnelėje yra virtuvės laikmatis, kuris skaičiuoja nustatomą laiką mažėjančia tvarka.

1. Budėjimo režimu vieną kartą paspauskite mygtuką **TIME/SET CLOCK** (laikas / laikrodžio nustatymas).
2. Norėdami nustatyti norimą trukmę, pasukite **rankenėlę**. Didžiausia galima reikšmė yra 95 minutės.
3. Norėdami patvirtinti, spauskite mygtuką **START/QUICK START** (paleidimas / greitis paleidimas).
4. Gaminimo metu ekrane bus skaičiuojamas laikas.
5. Ekrane rodomai reikšmei pasiekus nulį, sklaidžiamas garsinis signalas.

Virtuvės laikmatį galima naudoti ir maisto ruošimo metu. Norėdami tą padaryti, atlikite anksčiau aprašytus veiksmus. Įjungtas virtuvės laikmatis penkias sekundes rodomas ekrane, o tada ekrane vėl rodoma likusi maisto ruošimo ciklo trukmė. Norėdami vėl pažiūrėti laikmačio reikšmę, vieną kartą paspauskite mygtuką **TIME/SET CLOCK** (laikas / laikrodžio nustatymas). Tada penkias sekundes bus rodoma virtuvės laikmačio reikšmė ir grįžtama prie maisto gaminimo trukmės.

- Norėdami išjungti **laikmačio** programą, paspauskite **STOP/ECO** (sustabdyti / ekonominis režimas) mygtuką. Ekrane bus rodomas laikas.
- Jei yra pradėtas maisto ruošimo ciklas, galima ir tada įjungti virtuvės laikmatį, atliekant anksčiau aprašomus veiksmus.

ENERGIJOS TAUPYMO FUNKCIJA

Ši funkcija suteikia galimybę taupyti energiją, kai krosnelė nenaudojama. Norėdami įjungti šią funkciją, parengties režimu paspauskite ir 3 sekundes palaikykite mygtuką **STOP/ECO** (sustabdyti / ekonominis režimas): išsijungs ekranas, o krosnelė įsijungs energijos taupymo režimu.

Norėdami išjungti energijos taupymo režimą, paspauskite bet kurį mygtuką arba atidarykite ir uždarykite krosnelės dureles.

GARSO UŽTILDYMO FUNKCIJA

Naudojant garso užtildymo funkciją galima užtildyti visus mikrobangų krosnelės garsus. Norėdami nustatyti šią funkciją vieną kartą paspauskite mygtuką **CHILD LOCK** (užraktas nuo vaikų), ir ekrane 5 sekundes bus rodoma „**oFF**“ (išjungta). Įjungus garsų užtildymo režimą, spaudžiant mygtukus nebus skleidžiami garsai. Norėdami išjungti nutildymo funkciją, vieną kartą paspauskite mygtuką **CHILD LOCK**, ekrane 5 sekundes bus rodoma „**on**“, tai reiškia, kad garsas vėl įjungtas. Jeigu, esant įjungta garsų užtildymo funkcijai, nutraukiamas maitinimas, vėl jam atsiradus, ši funkcija bus išjungta.

UŽRAKAS

Tai – automatinė funkcija, apsauganti nuo to, kad vaikai nenaudotų krosnelės be priežiūros. Parengties režimu, jeigu vieną minutę neatliekami jokie veiksmai, krosnelė automatiškai įsijungs užrakto režimu, ir ekrane bus rodoma **Loc** (užrakinta). Šioje būsenoje neveikia jokie mygtukai. Paspaudus bet kurį mygtuką, ekrane 5 sekundes rodomas užrakto indikatorius, primindamas, kad reikia išjungti užraktą. Norėdami išjungti užraktą, tiesiog atidarykite mikrobangų krosnelės dureles, ir mygtukai vėl veiks, o užrakto indikatorius išsijungs.

UŽRAKTAS NUO VAIKŲ

Norėdami nustatyti UŽRAKTĄ NUO VAIKŲ, nuspauskite ir 3 sekundes palaikykite mygtuką **CHILD LOCK** (užraktas nuo vaikų), pasigirs ilgas pyptelėjimas, o ekrane bus rodoma „**Loc**“. Krosnelė dabar veikia UŽRAKTO NUO VAIKŲ režimu. Šiuo režimu ekrane rodomas laikrodis; jei nuspaudžiamas bet koks mygtukas arba atidaromos durelės, ekrane 5 sekundes rodoma „**Loc**“.

Norėdami atšaukti UŽRAKTĄ NUO VAIKŲ, paspauskite ir 3 sekundes palaikykite nuspaudę mygtuką **CHILD LOCK** (užraktas nuo vaikų), kol pasigirs ilgas garso signalas.

VALYMAS IR PRIEŽIŪRA

- Prieš valydami krosnelę, išjunkite krosnelę ir maitinimo laidą iš maitinimo lizdo.
- Palaikykite krosnelės ertmę švarią. Jei prie sienelių prikimba išsitaškęs maistas ar skysčiai, nuvalykite juos drėgna šluoste. Jei krosnelė pasidaro itin nešvari, galima naudoti švelnias valymo priemones. Stenkitės nenaudoti purškiklių ar kitų stiprių valymo priemonių. Jos gali palikti dėmių, ruožų arba išblukinti durelių paviršių.
- Išorinę krosnelės dalį reikia valyti drėgna šluoste. Kad nepažeistumėte veikiančių dalių krosnelės viduje, negalima leisti, kad į ventiliacines angas patektų vandens.
- Dažnai drėgna šluoste nuvalykite dureles ir langelį iš abiejų pusių, durelių sandariklius ir gretimas dalis, kad pašalintumėte tai, kas ištiško ar išsiliejo.
- Nenaudokite šiurkščių valymo priemonių.
- Valymui nenaudokite garų.
- Neleiskite sušlapti valdymo skydeliui. Jį valykite švelnia, drėgna šluoste. Valydami valdymo skydelį, palikite krosnelės dureles praviras, kad netyčia neįjungtumėte krosnelės.
- Jei krosnelės viduje ar aplink durelių išorę kaupiasi kondensatas, nuvalykite jį švelnia šluoste. Taip gali būti krosnelę naudojant drėgnomis sąlygomis. Tai – ne gedimas.
- Besisukančio padėklo apačią, atramą ir sujungimą reikia reguliariai valyti, kad nesikauptų nešvarumai ir nekiltų kibirkščiavimo ar pažeidimų rizika. Užtenka nuvalyti švelnia valymo priemone.
- Kvapus krosnelėje padeda pašalinti šis mišinys: puodelis vandens ir vienos citrinos sultys su odele. Sudėkite į dubenėlį ir šildykite jį krosnelėje 5 minutes. Po to kruopščiai išvalykite švelnia šluoste.
- Sugedus apšvietimo lemputei, susisiekite su klientų aptarnavimo specialistais.
- Krosnelę reikia reguliariai valyti ir pašalinti bet kokius maisto likučius. Krosnelės laikymas nešvaroje gali sąlygoti paviršiaus nusidėvėjimą, kas neigiamai veikia įrangos veikimą ir gali sukelti pavojų.
- Prašome neišmesti šio prietaiso su buitinėmis šiukšlėmis; žr. savo šalyje taikytinas taisykles dėl tokio tipo gaminių utilizavimo.

MAISTO GAMINIMUI TINKAMI INDAI

1. Ideali mikrobangų krosnelėje naudojamų įrankių medžiaga turi praleisti mikrobangas, kad maistas būtų pašildytas.
2. Mikrobangos negali prasiskverbti pro metalą, todėl nereikėtų naudoti metalinių įrankių ar indų su metaliniu krašteliu.
3. Gamindami mikrobangų krosnelėje nenaudokite perdirbto popieriaus gaminių, kadangi juose gali būti mažų metalo dalelių, galinčių sukelti kibirkštis ir (arba) gaisrą.
4. Rekomenduojama naudoti apvalius / ovalius indus, o ne kvadratinius / pailgus indus, kadangi kampuose maistas perkepa.
5. Norint, kad maistas tam tikrose vietose neperkeptų, reikia naudoti siauras aliuminio juosteles. Tačiau būkite atsargūs, nenaudokite jų per daug ir išlaikykite 2,54 cm atstumą nuo folijos ir vidaus.

Žemiau pateiktas sąrašas padės pasirinkti tinkamiausius indus.

Indai	Mikrobangos Saug.	Kepimas ant grotelių	Komentaras
Skrudinimo indai	✓ / ✗	✗	Visada vadovaukitės gamintojo nuorodomis. Neviršykite nurodyto gaminimo laiko. Būkite atidūs, nes šie indai gali labai įkaisti.
Keramika	✓ / ✗	✗	Indai iš porceliano, keramikos, stiklo keramikos ir kaulinio porceliano yra tinkami, tik įsitikinkite, kad jie nėra puošti metalinėmis apdailos detalėmis.
Karščiui atsparus stiklas	✓	✓	Būtina atidžiai patikrinti, ar stiklinius indus maistui galima naudoti mikrobangų krosnelėje.
Karščiui neatsparus stiklas	✗	✗	
Karščiui atspari keramika	✓	✓	Įsitikinkite, kad keraminiai indai nebūtų per stori arba turintys per didelį mineralinių medžiagų kiekį.
Mikrobangų krosnelėje saugus naudoti plastikinis indas	✓	✗	Būtinai patikrinkite, ar jūsų plastikiniai indai maistui tinkami naudoti mikrobangų krosnelėje.
Virtuvinis popierius	✓ / ✗	✗	Naudokite tik tokių virtuvinį popierių, kuris rekomenduojamas naudoti mikrobangų krosnelėse.
Stikliniai indai, pavyzdžiui, „Pyrex“ [®]	✓ / ✗	✓	Visada prižiūrėkite stiklinius indus, nes greitai įkaite jie gali įskilti arba sudežti.
Metalinis padėklas	✗	✓	Gaminant mikrobangomis nerekomenduojama naudoti metalinių indų, nes gali pradėti kibirkščiuoti ar net užsidegti.
Metalinės grotelės	✗	✓	Gaminant mikrobangomis nerekomenduojama naudoti metalinių indų, nes gali pradėti kibirkščiuoti ar net užsidegti.
Aliuminio folija Tara iš folijos	✓ / ✗	✓	Kad apsaugotumėte maistą nuo perkaitimo, apvyniokite smulkias jo dalis mažais folijos gabaliukais. Įsitikinkite, kad atstumas tarp folijos ir krosnelės sienelių yra ne mažesnis kaip 2,54 cm, nes ji gali pradėti kibirkščiuoti. Nerekomenduojama naudoti taros, padarytos iš folijos, nebent gamintojo nurodyta kitaip, pvz., „Microfoil“ [®] . Vadovaukitės nurodymais.
Plėvelė	✓	✗	Nelieskite ką tik paruošto maisto ir supjaustykite jį, kad nugaruotų.
Plastikas / polistirenas, pvz., greito maisto tara	✓	✗	Stebėkite ir prižiūrėkite, kad dėl aukštos temperatūros tara nesideformuotų, netirptų ar nebluktu.
Šaldymo / skrudinimo maišeliai	✓	✗	Privalo būti pradurti, kad išeitų garai. Įsitikinkite, kad maišeliai yra tinkami naudoti gaminant mikrobangų krosnelėje.
Popierinės lėkštės / puodeliai ir virtuvinis popierius	✓	✗	Nenaudokite plastikinių ar metalinių dirželių, nes jie gali iširti ar dėl metalo kibirkščiavimo sukelti ugnį.
Šiaudinė ir medinė tara	✓	✗	Naudokite tik pašildyti ar drėgmei sugerti. Prižiūrėkite, nes perkaite gali užsiliepsnoti.
Perdirbtas popierius ir laikraštis	✗	✗	Naudodami šias medžiagas visada prižiūrėkite krosnelę, nes perkaitusios gali užsiliepsnoti. Sudėtyje gali būti metalo pėdsakų, dėl kurių gali susidaryti kibirkštys ar užsiliepsnoti.



ĮSPĖJIMAS. Jei maistą šildote plastikinėje ar popierinėje taroje, prižiūrėkite krosnelę dėl galimo užsiliepsnojimo.

PASTABA: naudojamos krosnelės nepalikite be priežiūros.

PATARIMAI GAMINANT MIKROBANGŲ KROSNELE

Mikrobangų krosnelėje maistas gaminamas greičiau, negu tradiciniais būdais. Todėl būtina laikytis tam tikrų metodikų, siekiant gerų rezultatų. Daugelis toliau aprašomų metodikų yra panašios į naudojamas gaminant maistą tradiciniu būdu.



ISPĖJIMAS: nešildykite skysčių ar maisto sandarioje taroje ar uždarytuose stiklainiuose, nes viduje susidaręs slėgis gali sukelti sprogamą.

PATARIMAI DĖL GAMINIMO:

- Nepalikite naudojamos krosnelės be priežiūros.
- Įsitinkite, kad naudojami indai tinka naudoti mikrobangų krosnelėje.
- Naudokite tik mikrobangoms skirtus kukurūzų spragėsius (vadovaukitės gamintojo nurodymais). Niekada nenaudokite aliejaus, nebent gamintojas nurodė priešingai, ir niekada negamininkite ilgiau nei nurodyta.



ISPĖJIMAS: jei viršijate rekomenduojamą gaminimo laiką ir galios lygis yra per aukštas, maistas gali perkaisti, sudegti ir, blogiausiu atveju, užsidegti bei pažeisti krosnelę.

Paruoškite

Sudėkite stambiausias maisto dalis, pvz. vištų šlauneles, indo pakraščiuose.

Indo pakraščiuose išdėstytas maistas bus veikiamas stipresne energija, todėl bus greičiau apdorojamas, negu esantis viduryje.

Uždenkite

Kai kuriuos maisto produktus gaminimo mikrobangomis metu galima uždenkti.

Uždenkite orui laidžia folija ar tinkamu dangčiu.

Pradurkite

Maisto produktai su lukštais, odele ar odele prieš gaminimą ar šildymą turi būti pradurti keliose vietose, nes susidaręs garas gali sukelti sprogamą.

Pvz. bulvės, žuvis, viščiukas, dešrelės.

PASTABA: negalima šildyti kiaušinių, naudojant mikrobangų energiją, kadangi jie gali sprogti, netgi pasibaigus gaminimui, pvz. išvirus ar iškepus.

Pamaišykite, apverskite ir perdėliokite

Gaminimo metu labai svarbu maistą pamaišyti, apversti ar perdėlioti. Maistą maišykite ir perdėliokite iš išorės centro link.

Pastatykite

Nevartokite iškart paruošto maisto ir leiskite jam pastovėti, kad susidariusi šiluma pasiskirstytų tolygiai.

Maisto charakteristikos	
Sudėtis	Maisto patiekalai, kuriuose yra gausu riebalų ar cukraus (pvz. Kalėdų pudingas, mėsos pyragaičiai) reikalauja trumpesnio šildymo laiko. Prižiūrėkite tokius patiekalus, nes perkaite jie gali sukelti ugnį. Maiste esantys kaulai kaupia karštį, o dėl to maistas įšyla daug greičiau. Prižiūrėkite, kad toks maistas pašiltų tolygiai.
Tirštumas	Maisto tirštumas turi įtakos gaminimo laikui. Lengvi, porėti maisto produktai, pvz. biskvitiniai pyragaičiai ar duona, kepa daug greičiau nei sunkus ir tirštas maistas, pvz. kepsniai ar troškiniai.
Kiekis	Krosnelės mikrobangų skaičius yra toks pats nepriklausomai nuo joje esančio maisto. Jei krosnelėje yra padedama daugiau maisto, gaminimo laikas turi pailgėti. Pvz. keturios bulvės virs ilgiau nei dvi.
Dydis	Mažesni maisto produktai ar mažesnės maisto dalys verda/kepa greičiau nei didelės, nes mikrobangos tada lengviau prasiskverbia iš visų pusių į centrą. Maisto dalis prieš gaminimą suvienodinkite.
Forma	Netaisyklingos formos maisto produktų, pvz. vištienos krūtinėlių ar šlaunelių storesnės dalys kepa ilgiau nei plonesnės. Išdėliokite maistą taip, kad storesnės jo dalys būtų nukreiptos indo pakraščių link. Apvalių formų maisto produktai kepa tolygiau nei kampuočių formų.
Maisto temperatūra	Pirminė maisto temperatūra turi įtakos gaminimo laikui. Atvėsintus produktus gaminti truks ilgiau, negu kambario temperatūros produktus. Taros temperatūra nėra teisingas rodiklis, kuris parodytų maisto ar gėrimo temperatūrą. Įpjaukite maisto produktus su įdara, pavyzdžiui, spurgas su uogiene, kad išeitų karštis ir garai.



ĮSPĖJIMAS: veidas ir rankos: išimdami maistą ar indus iš krosnelės visada naudokite orkaitės pirštines. Atidarydami krosnelės dureles stovėkite toliau nuo jos, kad susikaupęs karštis ar garas jūsų nesužeistų. Prieš nuimdami dangčius (tokius kaip plėvelę), nuplėšdami skrudinimo maišelius ar kukurūzų spragėsių pakuotę, įsitinkite, kad susikaupęs ir išeinantis garas nesužalos jūsų veido ir rankų.



ĮSPĖJIMAS: prieš patiekiant maistą ar gėrimus į stalą, patikrinkite jų temperatūrą ir pamaišykite. Būkite ypatingai atidūs jei maistas skirtas kūdikiams, vaikams ar vyresnio amžiaus žmonėms. Maitinimo buteliukų ar vaikiško maistelio indelių turinys turi būti sumaišytas ar suplaktas, jo temperatūra prieš vartojimą turi būti patikrinta.

PATARIMAI DĖL ATITIRPINIMO

Pats greičiausias būdas atitirpinti maisto produktus – mikrobangų krosnelės naudojimas. Tai – paprastas procesas, tačiau būtina laikytis toliau aprašomų nurodymų, kad maisto produktai būtų tinkamai atitirpinami.

- Prieš maisto atitirpinimą išimkite ar išvyniokite jį iš pakuotės.
- Maisto atitirpinimui naudokite nuo P-20 iki P-40 mikrobangų galios lygius.
- Prašome vadovautis toliau pateikiama informacija.

Perdėliokite

Indo pakraščiuose išdėstytas maistas atitirpsta greičiau, negu indo viduryje, todėl labai svarbu perdėlioti maistą iki 4 kartų per atitirpinimo ciklą.

Suspaustus maisto gabaliukus iš indo pakraščių pastumkite link vidurio ir perdėliokite persikeičiančiose srityse. Tada visas maistas atitirps tolygiai.

Atskirkite

Išimtas iš šaldiklio maistas gali būti sušalęs į vieną gabalą. Labai svarbu, kad atitirpinimo metu atskiros maisto dalys būtų kuo greičiau atskirtos.

Pvz. kumpio riekės, vištienos filė gabaliukai.

Uždenkite

Atitirpinimo metu kai kurie maisto plotai gali įšilti. Uždenkite tokius plotus, pvz. vištienos šlaunelės ar sparneliai, smulkiais mikrobangas atspindinčios folijos gabaliukais, kad neperkaistų.

Pastatykite

Svarbu palaikyti, kad maistas gerai atitirptų.

Atitirpinimo procesas nesibaigia tuo, kad maistą išimate iš mikrobangų krosnelės. Kad būtumėte tikri jog maisto vidinė dalis yra visiškai atitirpusi, palaikykite jį šiek tiek laiko uždengtą.

Apversti

Atitirpinimo metu visus maisto produktus būtina 4 kartus apversti.

Tai labai svarbu, norint tinkamai atitirpinti.

PATARIMAI DĖL PAŠILDYMO

Kad užtikrintumėte tolygų maisto pašildymą, vadovaukitės žemiau išvardintais patarimais ir nuorodomis.

Pagrindiniai patiekalai

Pašalinkite vištienos ar mėsos porciją, garnyrą pašildykite atskirai, žr. žemiau.

Smulkias maisto dalis išdėliokite indo centre, didesnes ar storesnes pakraščiuose. Uždenkite viską mikrobangoms atsparia plėvele ir šildykite P-50 galia. Praėjus pusei gaminimo laiko maistą pamaišykite/perdėliokite.

PASTABA: prieš patiekiant į stalą, įsitikinkite, kad maistas pašilo tolygiai.

Pjaustyta mėsa

Uždenkite mikrobangoms atsparia plėvele ir šildykite P-60 galia. Tam, kad užtikrintumėte tolygų maisto pašildymą, bent kartą jį perdėliokite.

PASTABA: prieš patiekdami, įsitikinkite, kad maistas pašilo tolygiai.

Vištienos porcijos

Storesnes maisto dalis išdėliokite indo pakraščiuose, uždenkite mikrobangoms atsparia plėvele ir šildykite P-70 galia. Praėjus pusei šildymo laiko, apverskite.

PASTABA: prieš patiekdami, įsitikinkite, kad maistas pašilo tolygiai.

Troškiniai

Uždenkite mikrobangoms atsparia plėvele arba tinkamu dangčiu ir šildykite P-50 galia.

Kad užtikrintumėte tolygų maisto pašildymą, pamaišykite jį.

PASTABA: prieš patiekiant į stalą, įsitikinkite, kad maistas pašilo tolygiai.

Kad maisto pašildymo metu pasiektumėte geriausių rezultatų, pasirinkite tokį mikrobangų galios lygį, kuris atitinka maisto tipą. Pvz. daržovės gali būti pašildytos naudojant P-100, o lazanija, kurios sudėtyje yra nemaišomų dalių, turėtų būti šildoma P-40 galia.

PASTABOS:

- Prieš maisto šildymą išimkite jį iš folijos ar metalinės taros.
- Maisto šildymo laikas priklauso nuo jo formos, gylio, kiekio ir pradinės temperatūros, taip pat įtaką daro taros dydis, forma ir medžiaga iš kurios ji padaryta.



ISPĖJIMAS: niekada nešildykite skysčių buteliuose su siaurais kakliukais, nes dėl to gali išsiveržti turinys ir sukelti nudegimus.

- Gamindami ar šildydami maistą su dideliu cukraus ar riebalų kiekiu, pavyzdžiui bandelės su mėsa ar Kalėdų pudingas, imkitės specialių atsargumo priemonių, kad būtų išvengta perkaitimo ar gaisro.
- Niekada nekaitinkite riebalų, nes jie gali perkaisti ir užsidegti.
- Konservuotos bulvės neturėtų būti šildomos mikrobangų krosnelėje, vadovaukitės gamintojo nuorodomis.



ISPĖJIMAS: maitinimo buteliukuose ir vaikiško maistelio indeliuose esantis turinys turi būti suplaktas ar pamaišytas. Prieš vartojimą patikrinkite jo temperatūrą, kad išvengtumėte nudegimų.

TRIKČIŲ NUSTATYMAS IR ŠALINIMAS

Jei manote, kad krosnelė tinkamai neveikia, prieš iškviečiant specialistą galima atlikti kelis paprastus patikrinimus. Tai padės išvengti nereikalingų techninės priežiūros specialistų iškvietimų, jei gedimas yra labai paprastas.

Vadovaukitės paprastu toliau nurodomu patikrinimu:

Pastatykite puodelį vandens ant besisukančio padėklo ir uždarykite dureles. Nustatykite 1 minutę ir P-100 galios lygį.

1. Ar šildymo metu įsijungia lempa?
2. Ar aušinimo ventiliatorius veikia? (Patikrinkite uždėdami ranką virš oro ventiliacijos angų.)
3. Ar po 1 minutės pasigirsta garso signalas?
4. Ar vanduo puodelyje karštas?

Jei atsakymas į bet kurį klausimą yra NE, pirmiausia patikrinkite, ar krosnelė yra tinkamai prijungta ir ar saugiklis nėra nudegęs. Jei nėra nei vienos iš šių problemų, peržiūrėkite toliau pateikiamą gedimų nustatymo lentelę.



ĮSPĖJIMAS: jokiu būdu netaisykite ir nemodifikuokite krosnelės patys. Ne SHARP apmokytam inžinieriui atlikti techninės priežiūros arba remonto darbus pavojinga. Tai yra svarbu, nes dėl to gali tekti nuimti apsauginius gaubtus, kurie saugo nuo mikrobangų energijos.

- Durelių izoliacija apsaugo nuo mikrobangų nuotėkio naudojimo metu, tačiau neužtikrina sandarios izoliacijos. Vandens lašeliai, šviesą arba šilumos pojūtis aplink krosnelės dureles yra normalu. Labai drėgnas maistas išskiria garus ir sukelia kondensato susidarymą durelių viduje, kuris gali lašėti iš krosnelės.
- Remonto ir keitimo darbai: nebandykite krosnelės naudoti, jei ji netinkamai veikia.
- Išorinis korpusas ir lempos prieiga: niekuomet nenuimkite išorinio korpuso. Tai yra labai pavojinga dėl viduje esančių aukštos įtampos dalių, kurių niekuomet negalima liesti, nes tai gali būti mirtinai pavojinga. Jūsų krosnelėje nėra lempos prieigos gaubto. Jei lempa sugenda, nebandykite patys jos keisti. Kreipkitės į SHARP patvirtintą techninės priežiūros centrą.

TRIKČIŲ NUSTATYMO IR ŠALINIMO LENTELĖ

KLAUSIMAS	ATSAKYMAS
Skersvėjis yra aplink dureles.	Kai krosnelė veikia, ertmėje cirkuliuoja oras. Durelės neužtikrina sandarios izoliacijos, todėl per durelės gali eiti oras.
Krosnelėje susidaro ir per dureles gali lašėti kondensatas.	Paprastai krosnelės vidus yra vėsesnis už gaminamą maistą, todėl gaminimo metu susidarę garai kondensuojasi ant vėsesnio paviršiaus. Garų kiekis priklauso nuo gaminame maiste esančio vandens turinio. Kai kuriuose maisto produktuose yra didesnis drėgmės kiekis, pavyzdžiui, bulvėse. Durelių stikle susidaręs kondensatas turėtų pasišalinti po kelių valandų.
Mirksėjimas arba kibirkščiavimas gaminimo metu.	Kibirkščiavimas atsiranda, kai gaminimo metu metalinis objektas yra arti krosnelės ertmės. Tai gali padaryti ertmės paviršų šiurkštų, tačiau kitaip krosnelės tai nepažeidžia.
Bulvių kibirkščiavimas.	Užtikrinkite, kad iš bulvių būtų pašalintos visos akutės ir kad jos būtų perpjaautos, sudėtos ant pasukamos arba karščiui atsparaus indo ar panašaus daikto.
Naudojant krosnelę tik kepimo ant grotelių režimu, galima pastebėti, kad kaitinimo elementas veikia ne visą laiką.	Taip yra todėl, kad kepimo ant grotelių elementas įsijungia ir išsijungia, kad palaikytų nustatytą krosnelės temperatūrą.
Naudojant kepimo ant grotelių funkciją kombinuotu režimu, atrodo, kad ji neįjungta.	Kombinuotu gaminimo režimu (mikrobangų ir kepimo ant grotelių) krosnelė persijungia tarp šių dviejų funkcijų. Mikrobangų ir kepimo ant grotelių funkcijos vienu metu nebūna įjungtos.
Krosnelė neveikia, paspaudus mygtuką START/QUICK START (paleidimas / greitasis paleidimas).	Patikrinkite, ar durelės yra tinkamai uždarytos.
Krosnelė gamina maistą per ilgai.	Užtikrinkite, kad būtų pasirinktas tinkamas galios lygis.
Krosnelė skleidžia triukšmą.	Įsijungiant ir išsijungiant mikrobangų skleidimui gali girdėtis ūžesys. Toks garsas – normalus.
Po gaminimo krosnelė skleidžia garsą arba atrodo, kad ji vis dar veikia.	Pasibaigus maisto ruošimo ciklui ventilatorius gali toliau veikti kelias minutes, kad krosnelė atvėstų. Tai – normalu.
Išorinė spinta yra karšta.	Spinta gali įkaisti – neleiskite vaikams artintis prie jos.
Paspaudus mygtuką, ekrane rodomas užrašas „LOC“.	Po 30 sekundžių krosnelė įsijungs į užrakinimo režimą, kai neveiks jokie mygtukai. Atidarykite ir uždarykite dureles ir mygtukai vėl veiks. Taip pat patikrinkite, ar nėra įjungtas užrakinimo režimas.
Ekrane rodomas užrašas „Fail“ (nepavyko) ir kas minutę skleidžiamas garsinis signalas.	Taip atsitinka, jei valdymo skydelio mygtukai nepertraukiamai spaudžiami ilgiau nei 1 minutę. Išjunkite krosnelę kelioms minutėms iš elektros tinklo ir vėl įjunkite.
Krosnelė pypsi kas 30 sekundžių.	Baigus ruošti maistą ir neatidarius durelių, kas 30 sekundžių pasigirsta garsinis signalas. Norėdami jį išjungti, atidarykite ir uždarykite dureles.

PRIEŠ KREIPIANTIS PAGALBOS

Prieš kreipdamiesi dėl techninės pagalbos, patikrinkite pagal šiuos punktus:

- Patikrinkite, ar krosnelės maitinimo laido kištukas patikimai įjungtas į lizdą. Jei ne, ištraukite kištuką, palaukite 10 sekundžių ir iš naujo patikimai įjunkite.
- Patikrinkite, ar nėra perdegusio grandinės saugiklio arba ar nėra išjungtas įvado grandinės pertraukiklis. Jei saugikliai veikia tinkamai, patikrinkite elektros maitinimo lizdą su kitu prietaisu.
- Patikrinkite, ar galios ir laiko rankenėlės pasuktos į teisingą padėtį.
- Patikrinkite, ar tinkamai uždarytos durelės, ar suveikęs durelių užraktas. Kitaip mikrobangų energija nesklis į krosnelę.

JEI IŠVARDINTAIS METODAIS PROBLEMAS NEPAŠALINATE, SUSISIEKITE SU KVALIFIKUOTU TECHNIKU. NEBANDYKITE REGULIUOTI AR TAISYTI KROSNELĖS PATYS.



Uzmanību!

Jūsu izstrādājums ir apzīmēts ar šo simbolu. Tas nozīmē, ka izmantotos elektriskos un elektroniskos izstrādājumus nedrīkst sajaukt ar vispārējiem sadzīves atkritumiem. Šiem izstrādājumiem ir atsevišķa savākšanas sistēma.



[www.sharpconsumer.com/
contact/](http://www.sharpconsumer.com/contact/)



[www.sharpconsumer.com/
support/](http://www.sharpconsumer.com/support/)



[www.sharpconsumer.com/
documents-of-conformity/](http://www.sharpconsumer.com/documents-of-conformity/)

A. Informācija par likvidēšanu lietotājiem (privātās māsaimniecības)

1. Eiropas Savienībā

Uzmanību! Ja vēlaties atbrīvoties no šīs ierīces, lūdzu, neizmetiet to parastā atkritumu tvērnē!

Lietotās elektriskās un elektroniskās iekārtas ir jāapstrādā atsevišķi un saskaņā ar tiesību aktiem, kas paredz izmantoto elektrisko un elektronisko iekārtu atbilstošu apstrādi, atjaunošanu un pārstrādi.

Pēc attiecīgo noteikumu ieviešanas dalībvalstīs privātās māsaimniecības ES dalībvalstīs var atdot atpakaļ savas izmantotās elektriskās un elektroniskās iekārtas noteiktās savākšanas vietās bez maksas*.

Dažās valstīs* vietējais mazumtirgotājs var arī pieņemt atpakaļ jūsu veco izstrādājumu bez maksas, ja tā vietā iegādājaties ekvivalentu.

*) Lūdzu, sazinieties ar vietējo varas iestādi, lai iegūtu sīkāku informāciju.

Ja noliecotajai elektroierīcei vai elektroniskajai ierīcei ir baterijas vai akumulatori, atbrīvojieties to šīm detaļām pirms atbrīvošanās no ierīcēm saskaņā ar vietējām valsts prasībām. Atbrīvojoties no šīs ierīces pareizā veidā, jūs palīdzat atkritumiem nonākt pareizā apstrādes, atjaunošanas un pārstrādes procesā, tādējādi novēršot iespējamo negatīvo ietekmi uz apkārtni un cilvēku veselību, kas savukārt var rasties, ja atkritumi tiek nepareizi apstrādāti.

2. Citās valstīs ārpus ES

Ja vēlaties atbrīvoties no šī izstrādājuma, lūdzu, sazinieties ar savām vietējām varas iestādēm un uzziniet par pareizo utilizācijas metodi. Šveicei: lietotas elektriskās vai elektroniskās iekārtas var atdot atpakaļ bez maksas tirgotājam pat tad, ja nepērk jaunu izstrādājumu. Papildu savākšanas vietas ir uzskaitītas mājas lapā www.swico.ch vai www.sens.ch.

B. Informācija par utilizāciju uzņēmumiem

1. Eiropas Savienībā

Ja izstrādājums tiek izmantots uzņēmējdarbības vajadzībām un vēlaties no tā atbrīvoties, rīkojieties, kā aprakstīts tālāk.

Lūdzu, sazinieties ar SHARP izplatītāju, kurš informēs jūs par izstrādājuma pieņemšanu atpakaļ. Jums var pieprasīt maksu par atpakaļpieņemšanu un pārstrādāšanu. Mazus izstrādājumus (un mazos daudzumus) var pieņemt atpakaļ vietējās savākšanas vietās.

Spānijai: lūdzu, sazinieties ar izveidoto savākšanas sistēmas punktu vai vietējo varas iestādi par lietoto izstrādājumu pieņemšanu atpakaļ.

2. Citās valstīs ārpus ES

Ja vēlaties atbrīvoties no šī izstrādājuma, lūdzu, sazinieties ar savām vietējām varas iestādēm un uzziniet par pareizo utilizācijas metodi.

Informāciju par apkopi skatiet šeit: www.sharpconsumer.com/contact/, informāciju par garantijas tiesībām skatiet šeit: www.sharpconsumer.com/support/ vai sazinieties ar izplatītāju, kur iegādājāties produktu.

Atbilstības deklarācijas ir pieejamas šeit: www.sharpconsumer.com/documents-of-conformity/

PIESARDZĪBAS PASĀKUMI, LAI IZVAIRĪTOS NO IESPĒJAMAS PAKĻAUŠANAS MIKROVIĻŅU ENERĢIJAS IEDARBĪBAI

1. Nemēģiniet darbināt krāsni ar atvērtām durvīm, jo tas var radīt bistamu ietekmi uz mikroviļņu enerģiju. Svarīgi nemēģināt atvērt drošības slēdzenes.
2. Neievietojiet neko starp krāsns priekšpusi un durvīm, kā arī neļaujiet uzkrāties netīrumiem un noslaukiet atlikumus, kas uzkrājušies uz blīvējošām virsmām.
3. Nelietojiet krāsni, ja tā ir bojāta. Ir ļoti svarīgi, lai cepeškrāsns durvis tiktu pareizi aizvērtas un durvīm, eņģēm, aizbīdņiem, durvju blīvējumiem un blīvējuma virsmām nebūtu bojājumu.
4. Nemēģiniet remontēt un regulēt krāsni.

SATURA RĀDĪTĀJS

SVARĪGI DROŠĪBAS NORĀDĪJUMI.....	3
UZSTĀDĪŠANA.....	11
RADIO TRAUCĒJUMI	12
NORĀDĪJUMI PAR ZEMĒJUMU	12
TEHNISKIE PARAMETRI.....	12
KRĀSNS UN PIEDERUMI.....	13
VADĪBAS PANELIS	14
PIRMS KRĀSNS LIETOŠANAS	15
PULKSTEŅA IESTATĪŠANA.....	15
ĒDIENU GATAVOŠANA MIKROVIĻŅU KRĀSNI	16
ĀTRĀ SĀKŠANA.....	17
GRILĒŠANA*.....	17
MIKROVIĻŅI + GRILS*.....	18
AUTOMĀTISKA IZVĒLNE	19
AUTOMĀTISKĀ ATKAUSĒŠANA	22
AUTOMĀTISKĀ UZSILDĪŠANA*.....	22
VIRTUVES TAIMERIS.....	23
ENERĢIJAS TAUPĪŠANAS FUNKCIJA	23
SKAŅAS IZSLĒGŠANAS FUNKCIJA	24
DROŠĪBAS SLĒDZENE	24
BĒRNU DROŠĪBAS SLĒDZIS.....	24
TĪRĪŠANA UN APKOPE	25
PIEMĒROTI SILTUMIZTURĪGI TRAUKI	26
PADOMS GATAVOŠANAI AR MIKROVIĻŅU KRĀSNI.....	27
PADOMS PAR ATKAUSĒŠANU	29
PADOMS PAR UZSILDĪŠANU	30
PROBLĒMU NOVĒRŠANA.....	31
RĪCĪBA, PIRMS ZVANĪT APKALPES DIENESTAM.....	33

SVARĪGI DROŠĪBAS NORĀDĪJUMI

RŪPĪGI IZLASIET TOS UN GLABĀJIET TURPMĀKAI ATSAUCEI

Lai izvairītos no aizdegšanās, rīkojieties, kā norādīts tālāk. Mikroviļņu krāsni nedrīkst atstāt bez uzraudzības tās lietošanas laikā. Pārāk augsti jaudas līmeņi vai pārāk ilgi gatavošanas laiki var pārkarstēt ēdienus un izraisīt aizdegšanos.

Šī krāsns ir konstruēta lietošanai tikai uz atklātas virsmas. Tā nav konstruēta iebūvēšanai virtuves iekārtā. Neievietojiet krāsni skapītī. Elektriskajai rozetei jābūt viegli pieejamai, lai neparedzētā gadījumā ierīci varētu bez grūtībām atvienot.

Mainstrāvas elektrobarošana jābūt 230–240 V, 50 Hz ar vismaz 10 A sadales līnijas drošinātāju vai vismaz 10 A sadales slēdzi. Ir jānodrošina atsevišķa elektriskā shēma, kas izmantojama tikai šai iekārtai.

Nenovietojiet krāsni vietās, kur tiek izdalīts siltums.

Piemēram, tuvu pie parastas krāsns.

Neuzstādiet krāsni vietā ar augstu mitrumu vai vietā, kur var uzkrāties mitrums. Neglabājiet un nelietojiet krāsni ārpus telpām.

Ja ir novēroti dūmi, izslēdziet vai atvienojiet krāsni un atstājiet durvis noslēgtas, lai noslāpētu liesmas.

Lietojiet tikai mikroviļņu drošus traukus un piederumus. Piederumus vajadzētu pārbaudīt, lai nodrošinātu, ka tie ir piemēroti lietošanai krāsnī.

Kad sildāt ēdienu plastmasas vai papīra traukos, uzraugiet krāsni, jo iespējama aizdegšanās.

Pēc lietošanas notīriet viļņvada pārsegu un krāsns iekšpusi. Tiem jābūt sausiem un bez taukiem. Uzkrājušies tauki var pārkarst un sākt dūmot vai aizdegties.

Nenovietojiet viegli uzliesmojošus materiālus krāsns vai ventilācijas atveru tuvumā. Neaizsedziet ventilācijas atveres.

Izņemiet visus metāla blīvējumus, stieplu auklas u.c. no pārtikas produktiem un to iepakojumiem. Dzirksteļošana uz metāla virsmām var izraisīt aizdegšanos.

Nelietojiet mikroviļņu krāsni, lai sildītu eļļu cepšanai dziļos traukos. Temperatūru nevar kontrolēt, un eļļa var aizdegties.

Lai gatavotu popkornu, izmantojiet tikai īpašus mikroviļņu krāsns popkorna gatavotājus.

Krāsnī neglabājiet pārtikas produktus un nevienu citu lietu.

Pēc krāsns ieslēgšanas pārbaudiet iestatījumus, lai nodrošinātu, ka krāsns darbojas atbilstoši vēlamajam.

Neatstājiet ierīci nepieskatītu, kad tā darbojas.

Lai izvairītos no pārkaršanas un ugunsgrēka, jāievēro īpaša piesardzība, kad gatavojat vai uzsildāt pārtikas produktus ar augstu cukura vai tauku saturu, piemēram, cīsiņus mīklā, pīrāgus vai Ziemassvētku pudiņu. Atbilstošos ieteikumus skatiet lietošanas instrukcijā.

Lai izvairītos no traumām, ņemiet vērā tālāk minēto. BRĪDINĀJUMS!

Nedarbiniet krāsni, ja tā ir bojāta vai nedarbojas pareizi. Pirms lietošanas pārbaudiet šādas daļas:

- a) pārlicinieties, vai durvis aizveras pareizi, un nodrošiniet, lai tās nebūtu manījušas pozīciju un nebūtu deformētas;
- b) Pārlicinieties, vai eņģes un durvju drošības fiksatori nav salīzuši vai atbrīvojušies.
- c) Nodrošiniet, ka durvju blīves un blīvējuma virsmas nav bojātas.
- d) Nodrošiniet, ka krāsns iekšpusē vai durvju virsmā nav iespaidumu.
- e) Nodrošiniet, ka strāvas vads un kontaktdakša nav bojāti.

Ja durvis vai durvju blīvējumi ir bojāti, krāsni nedrīkst lietot, kamēr to nav salabojusi kompetenta persona.

Nekad nemēģiniet pats noregulēt, remontēt vai pārveidot krāsni. Ir bīstami jebkuram, izņemot kompetentu personu, veikt jebkādu apkopes vai remonta darbību, noņemot pārsegu, kurš nodrošina aizsardzību pret mikroviļņu enerģijas iedarbību.

Nelietojiet krāsni ar atvērtām durvīm un nekādā veidā nepārveidojiet durvju drošības slēgmehānismus. Nelietojiet krāsni, ja starp durvju blīvēm un blīvējuma virsmām atrodas priekšmets.

Neļaujiet taukiem un netīrumiem uzkrāties uz durvju blīvējumiem un blakus esošajām daļām. Tīriet krāsni pēc regulāriem intervāliem un noņemiet jebkādus ēdiena pārpalikumus.

Ievērojiet norādījumus sadaļā “Kopšana un tīrīšana”. Ja krāsns netiek uzturēta tīra, krāsns virsma var nodilt, kas nopietni ietekmētu ierīces kalpošanas laiku un iespējams radītu bīstamu situāciju.

Personām ar ELEKTROKARDIOSTIMULATORIEM ir jākonsultējas ar savu ārstu vai elektrokardiostimulatora ražotāju par piesardzības pasākumiem saistībā ar mikroviļņu krāsnīm.

Lai izvairītos no elektrošoka, ņemiet vērā tālāk minēto.

- Nekādā gadījumā nenoņemiet ārējo korpusu.
- Nekad nešļakstiet un nenovietojiet objektus durvju slēgmehānisma atverēs vai ventilācijas atverēs. Izšļakstīšanas gadījumā nekavējoties izslēdziet un atvienojiet krāsni un sazinieties ar pilnvarotu SHARP apkalpes dienesta pārstāvi.
- Neiegremdējiet strāvas vadu vai spraudni ūdenī vai kādā citā šķidrumā.
- Nodrošiniet, lai strāvas vads nekarātos pār galda vai darba virsmas malu.
- Glabājiet strāvas vadu attālāk no sildāmām virsmām, tostarp krāsns aizmugures.
- Glabājiet ierīci un tās vadu bērniem, kas jaunāki par 8 gadiem, nepieejamā vietā.

- Nemēģiniet pats nomainīt krāsns spuldzi un neļaujiet to darīt kādam, kurš nav SHARP pilnvarots elektriķis. Ja krāsns spuldze ir bojāta, lūdzu, konsultējieties ar izplatītāju vai pilnvarotu SHARP apkalpes dienesta pārstāvi.
- Ja strāvas vads ir bojāts, tas jānomaina pie pilnvarota SHARP apkalpes dienesta pārstāvja.

BRĪDINĀJUMS! Šķidrumus un citus pārtikas produktus nedrīkst sildīt slēgtos traukos, jo tie var uzsprāgt. Dzērienu sildīšana mikroviļņu krāsnī var izraisīt aizkavētu sprādzienvēda vārīšanos, tāpēc jāievēro piesardzība, rīkojoties ar trauku. Lai novērstu sprādzienu vai pēkšņu vārīšanos, ņemiet vērā tālāk minēto.

Nekad nelietojiet slēgtus traukus. Noņemiet noslēgus un vākus pirms lietošanas. Slēgti trauki var sprāgt, jo spiediens ir paaugstināts pat pēc krāsns izslēgšanas. Esiet uzmanīgs, sildot šķidrumus. Izmantojiet trauku ar platu kaklu, lai ļautu burbuļiem izdalīties.

Nekad nesildiet šķidrumus traukos ar šauru kaklu, piemēram, zīdaiņu pudelītēs, jo tas var izraisīt satura izvirdumu no sildāmā trauka un radīt apdegumus.

Lai novērstu verdoša šķidruma pēkšņu izšļakstīšanos un iespējamo applaucēšanos, rīkojieties, kā aprakstīts tālāk.

1. Nekarsējiet to pārmērīgi ilgi.
2. Samaisiet šķidrumu pirms sildīšanas/uzsildīšanas.
3. Sildīšanas laikā ieteicams šķidrumā ievietot stikla stienīti vai līdzīgu piederumu (kas nav no metāla).
4. Pēc sildīšanas paturiet šķidrumu krāsnī vismaz 20 sekundes, lai novērstu aizkavētu sprādzienvēda vārīšanos.

Negatavojiet olas ar to čaumalām, un veselas cieti vārītas olas nesildiet mikroviļņu krāsnī, jo tās var uzsprāgt pat pēc uzsildīšanas beigām. Lai gatavotu vai uzsildītu olas,

kas nav sakultas vai sajauktas, pārduriet dzeltenumus un baltumus. Nolobiet un sadaliet šķēlēs cieti vārītas olas pirms to uzsildīšanas mikroviļņu krāsnī.

Pirms gatavošanas pārduriet apvalkus tādiem pārtikas produktiem kā kartupeļi, desas un augļi, citādi tie var uzsprāgt.

BRĪDINĀJUMS! Zīdaiņu pudelīšu un bērnu pārtikas burku saturs jāsamaisa vai jāsakrata un jāpārbauda temperatūra pirms satura lietošanas, lai izvairītos no apdegumiem. Izņemot pārtikas produktu no krāsns, lietojiet katla turētājus vai krāsns cimds, lai izvairītos no apdegumiem. Lai izvairītos no apdegumiem, ņemiet vērā tālāk minēto.

- Traukus, popkorna gatavotājus, krāsns cepšanas maisiņus un citus gatavošanas piederumus vienmēr atveriet attālāk no sejas un rokām, lai izvairītos no tvaika apdegumiem un vārīšanās izvirzumiem. Lai izvairītos no apdegumiem, vienmēr pārbaudiet ēdiena temperatūru, samaisiet ēdienu pirms pasniegšanas un pievērsiet īpašu uzmanību zīdaiņu, bērnu vai vecu cilvēku pārtikas un dzērienu temperatūrai. Daļas, kurām var pieskarties, lietošanas laikā var kļūt karstas. Bērni nedrīkst tām tuvojies.
- Trauka temperatūra nav paties rādītājs ēdiena vai dzēriena temperatūrai. Vienmēr pārbaudiet pārtikas produkta temperatūru.
- Vienmēr stāviet tā, lai, atverot krāsns durvis, jūs atrastos aiz tām, tādējādi izvairīties no apdegumiem no izplūstošā tvaika un karstuma.
- Pēc pildītu ceptu pārtikas produktu sildīšanas sagrieziēt tos šķēlēs, lai atbrīvotu tvaiku un izvairītos no apdegumiem.
- Nodrošiniēt, ka bērni netuvojas durvīm, lai viņi neapdedzinātos.

BRĪDINĀJUMS! Ļaujiet bērniem no 8 gadu vecuma lietot krāsni bez uzraudzības tikai tad, kad viņiem ir sniegti atbilstoši norādījumi tā, ka bērns ir spējīgs izmantot krāsni

droši un saprot nepareizas lietošanas risku.

Kad ierīce darbojas režīmā GRILL, MIX GRILL, CONVECTION, MIX CONVECTION un AUTO MENU (režīms pieejams atkarībā no modeļa), bērni drīkst izmantot krāsni tikai pieaugušo uzraudzībā radītās temperatūras dēļ.

Šī ierīce nav paredzēta lietošanai cilvēkiem (tai skaitā bērniem) ar samazinātām fiziskajām, jutīguma vai garīgajām spējām vai ar pieredzes un zināšanu trūkumu, ja vien viņiem nav nodrošināta persona, kura atbild par viņu drošību, uzraudzība, vai norādījumi par to, kā izmantot iekārtu.

Bērni jāuzrauga, lai nodrošinātu, ka viņi nespēlējas ar ierīci. Bērni jāuzrauga, kad tie veic ierīces tīrīšanu.

Modeļiem ar elektronisko skārienpaneli ir iespējots bērnu bloķēšanas režīms.

Neatbalstieties un nešūpojieties uz krāsns durvīm. Nespēlējieties ar krāsni un neizmantojiet to kā rotaļlietu.

Bērniem ir jāiemāca visas svarīgās drošības instrukcijas: trauku turētāju lietošana, rūpīga pārtikas pārklājumu noņemšana, pievēršot īpašu uzmanību iepakojumam (piemēram, paškarsējošajiem materiāliem), kas izstrādāts, lai padarītu ēdienu kraukšķīgu, jo tas var būt ļoti karsts.

Citi brīdinājumi

Nekad nekādā veidā nepārveidojiet krāsni.

Nepārvietojiet krāsni, kad tā darbojas.

Šī ierīce paredzēta izmantošanai mājāsaimniecībās. Šī krāsns ir paredzēta tikai pārtikas produktu gatavošanai mājas apstākļos, un to var izmantot tikai ēdiena gatavošanai. Pārtikas produktu un apģērba žāvēšana un sildošo paliktņu, čību, sūkļu, mitru drēbju un līdzīgu lietu sildīšana var radīt traumu, aizdegšanās vai ugunsgrēka risku. Tā nav piemērota lietošanai komerciālos vai laboratorijas nolūkos.

Lai krāsns darbotos bez traucējumiem un izvairītos no bojājumiem, ņemiet vērā tālāk minēto.

Nekad nedarbiniet krāsni, kad tā ir tukša. Kad lietojat apbrūnināšanas trauku vai pašsasilstošu materiālu, vienmēr zem tā novietojiet siltumizturīgu izolatoru, piemēram, porcelāna šķīvi, lai novērstu krāsns pamatnes bojājumus siltuma spriegumu rezultātā. Trauku lietošanas norādījumos noteikto iepriekšējas uzsildīšanas laiku nedrīkst pārsniegt.

Nelietojiet metāla piederumus, kuri atstaro mikroviļņus un var izraisīt elektrisko dzirksteļošanu. Neievietojiet krāsni skārda kārbas.

Lai novērstu rotējošā diska vai pamatnes salūšanu, rīkojieties, kā norādīts tālāk.

- a) Pirms tīrīšanas ar ūdeni ļaujiet atdzist.
- b) Nenovietojiet karstus vai aukstus ēdienus vai karstus piederumus uz aukstas krāsns pamatnes.
- c) Krāsns lietošanas laikā nenovietojiet neko uz ārējā korpusa.

PIEZĪME.

Nelietojiet plastmasas traukus sildīšanai ar mikroviļņiem, ja krāsns joprojām ir karsta pēc kombinētā režīma izmantošanas (atkarībā no krāsns modeļa), jo tas var sakust.

Ja vien plastmasas trauku ražotājs nenorāda to piemērotību izmantošanai iepriekš minētajiem režīmiem, nelietojiet tos.

Ja neesat pārliecināts, kā pieslēgt savu krāsni, lūdzu, konsultējieties ar pilnvarotu un kvalificētu elektriķi.

Ne ražotājs, ne izplatītājs nevar uzņemties nekādu atbildību par krāsns bojājumiem vai traumām, kas radušās, neņemot vērā pareizo elektrisko savienojumu.

Dažreiz uz krāsns sienām vai ap durvju blīvēm un blīvējuma virsmām var veidoties ūdens tvaiki vai pilieni. Tā ir normāla parādība un nenorāda uz mikroviļņu krāsns noplūdēm vai nepareizu darbību.

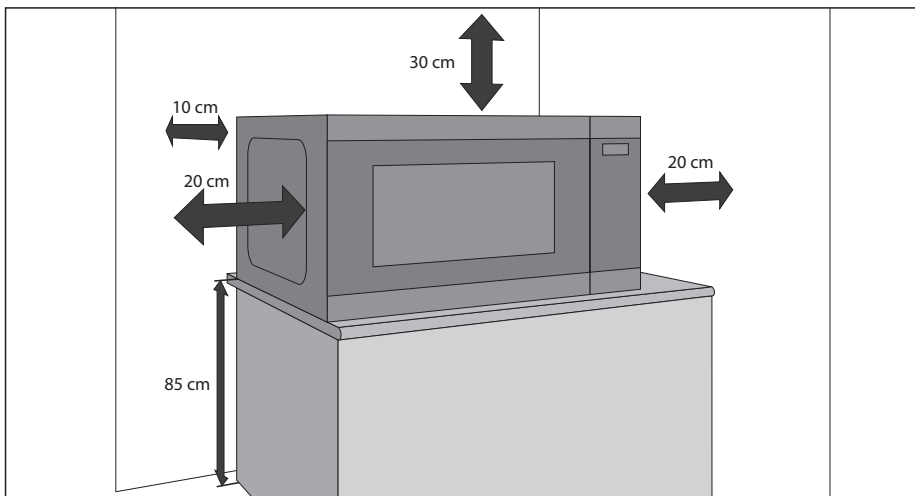
Ši ierīce paredzēta izmantošanai mājāsaimniecībās un līdzīgās vietās, piemēram; veikalos personāla virtuvēs, birojos un citās darba vietās / zemnieku saimniecībās / klientu izmantošanai viesnīcās, moteļos un citās apdzīvojamās vietās / gultasvietas un brokastu tipa vietās.



Šis simbols nozīmē, ka lietošanas laikā virsmas var sakarst.

UZSTĀDĪŠANA

1. Izņemiet visus iepakojuma materiālus no mikroviļņu krāsns iekšpuses un noņemiet visu aizsargplēvi no mikroviļņu krāsns korpusa.
 2. Rūpīgi pārbaudiet, vai krāsnij nav nekādu bojājuma pazīmju.
 3. Novietojiet krāsni uz drošas un līdzenas virsmas, kas ir pietiekami izturīga, lai balstītu krāsns svaru kopā ar vissmagāko vienību, ko varētu gatavot. Nenovietojiet mikroviļņu krāsni plauktā.
 4. Izvēlieties līdzenu virsmu, kas nodrošina pietiekamu vietu gaisa ieplūdes un izplūdes atverēm. Skatiet attēlus pirmajā lappusē. Ierīces aizmugurējā daļa jānovieto pret sienu.
- Minimālais uzstādīšanas augstums ir 85 cm.
 - Minimālā atstarpe 20 cm ir jānodrošina starp jebkuru mikroviļņu krāsns daļu un līdzās esošajām sienām vai objektiem.
 - Virs mikroviļņu krāsns atstājiet vismaz 30 cm brīvas vietas.
 - Nenoņemiet pamatnes balstus no mikroviļņu krāsns apakšas.
 - Aizsedzot gaisa ieplūdes un/vai izplūdes atveres, var tikt bojāta krāsns.
 - Krāsni novietojiet pēc iespējas tālāk no radio un TV. Mikroviļņu krāsns izmantošana var traucēt radio un TV uztveršanu.



5. Droši savienojiet krāsns spraudni ar standarta iezemētu mājāsaimniecības kontaktligzdu.

BRĪDINĀJUMS!

Nenovietojiet mikroviļņu krāsni vietās, kur tiek izdalīts siltums vai mitrums (piemēram, blakus vai virs parastas krāsns) vai tuvu viegli uzliesmojošiem materiāliem (piemēram, pie aizkariem).

Neaizsedziet un neaizsprostojiet gaisa ventilācijas atveres.

Nenovietojiet priekšmetus uz krāsns.

Nepieskarieties mikroviļņu krāsns ārpusēi darbības laikā vai neilgi pēc lietošanas, jo tā var būt karsta.

RADIO TRAUČĒJUMI

Mikroviļņu krāsns izmantošana var traucēt radio un TV uztveršanu. Ja rodas traucējumi, tos iespējams samazināt vai novērst, veicot tālāk norādītās darbības.

1. Notīriet durvis un iekšpusi vietā, kur tie saskaras.
2. Maniet radio vai televīzijas uztverošo antenas virzienu.
3. Pārvietojiet mikroviļņu krāsni attiecībā pret uztvērēju.
4. Pievienojiet mikroviļņu krāsni pie cita strāvas izvada tā, lai mikroviļņu krāsns un uztvērējs pievienots katrs pie citas shēmas.

NORĀDĪJUMI PAR ZEMĒJUMU

Šai ierīcei ir jābūt zemētai. Šī krāsns ir aprīkota ar vadu ar zemējumu un zemējuma kontaktdakšu. Ierīce ir jāpievieno pie pareizi uzstādītas uz saņemtas sienas kontaktlīdžas. Gadījumā, ja rodas īssavienojums, zemējums samazina strāvas trieciena risku, nodrošinot strāvas novadišanas vadu. Ieteicams nodrošināt atsevišķu ķēdi, pie kuras pieslēgta tikai krāsns.



BRĪDINĀJUMS! Nepareiza zemējuma kontaktdakšas izmantošana var radīt elektriskās strāvas triecienu.

PIEZĪME.

1. Ja rodas kādi jautājumi par zemējumu vai strāvas savienojumu, konsultējaties ar kvalificētu elektriķi vai apkalpes dienestu.
2. Ne ražotājs, ne izplatītājs nevar uzņemties nekādu atbildību par krāsns bojājumiem vai traumām, kas radušās, neņemot vērā elektrisko savienojumu.

Mikroviļņu krāsni izmantotajam strāvas vadam ir tālāk norādītās krāsas dzīslas.

Zaļš = dzeltens = ZEMĒJUMS

Zīls = NEITRĀLAIS

Brūns = STRĀVA

TEHNISKIE PARAMETRI

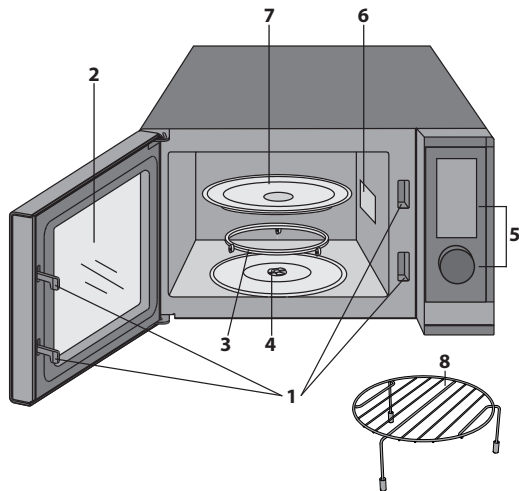
Modeļa nosaukums:		YC-PS204A	YC-PS234A	YC-PS254A	YC-PG204A	YC-PG234A	YC-PG254A	YC-PG284A
Mainstrāvas līnijas spriegums		230~240 V, 50 Hz viena fāze						
Sadales līnijas drošinātājs/slēdzis		10 A						
Jauda	Mikroviļņi	700 W	900 W	900 W	700 W	900 W	900 W	900 W
	Grīls				900 W	1000 W	1000 W	1000 W
	Izslēgšanas režīms	<0,5 W						
	Elektroenerģijas taupīšanas režīms	>0,5 W						
	Patērējamā maiņstrāvas jauda	1200 W	1400 W	1400 W	1400 W	1400 W	1400 W	1400 W
Mikroviļņu frekvence		2450 MHz*						
Ārējie izmēri (P) x (A) x (Dz.) mm		455 x 274 x 334	483 x 281 x 377	483 x 281 x 403	455 x 274 x 345	483 x 281 x 395	483 x 281 x 403	539 x 309 x 441
Dobuma izmēri (P) x (A) x (Dz.)** mm		315 x 198 x 297	340 x 220 x 320	340 x 220 x 344	315 x 198 x 297	340 x 220 x 320	340 x 220 x 344	354 x 220 x 358
Krāsns ietilpība		20 litri**	23 litri**	25 litri**	20 litri**	25 litri**	25 litri**	28 litri**
Rotējošā šķīvja diametrs		245 mm	270 mm	270 mm	245 mm	270 mm	270 mm	325 mm
Grīla režģa izmērs (G) x (PI) mm					190 x 79	80 x 208	80 x 208	89 x 285
Svars		apmēram 10,5 kg	apmēram 12,9 kg	apmēram 13,5 kg	apmēram 10,9 kg	apmēram 13,9 kg	apmēram 13,7 kg	apmēram 16,6 kg
Krāsns lampa (gaismas diodžu)		1,5 W						

* - Šis izstrādājums atbilst Eiropas standarta EN55011 prasībām. Saskaņā ar šo standartu šis izstrādājums ir klasificēts kā 2. grupas B klases iekārta. 2. grupa nozīmē, ka iekārta ar nolūku ģenerē radiofrekvenču enerģiju elektromagnētiskā izstarojuma veidā pārtikas produktu siltumapstrādei. B klases aprīkojums nozīmē, ka iekārta ir piemērota lietošanai mājāsainniecībā.

** - Iekšējā ietilpība ir aprēķināta, izmērot maksimālo platumu, dziļumu un augstumu. Faktiskā ietilpība pārtikas ievietošanai ir mazāka. SASKAŅĀ AR PASTĀVĪGAS UZLABOŠANAS POLITIKU MĒS PATURAM TIESĪBAS MAINĪT KONSTRUKCIJU UN TEHNISKOS PARAMETRUS BEZ BRĪDINĀJUMA.

KRĀSNS UN PIEDERUMI

1. Durvju drošības slēgšanas sistēma
2. Krāsns lodziņš
3. Rotējošā šķīvja gredzens
4. Rotējošā šķīvja savienojums
5. Grozāmā poga un vadības pogas
6. Vīļņvada pārsegums (nenonēmt)
7. Stikla paplāte
8. Modeļa YC-PG204A, YC-PG234A, YC-PG254A un YC-PG284A grila plaukts
9. Ventilācijas atveres
10. Ārējais korpuss
11. Strāvas vads



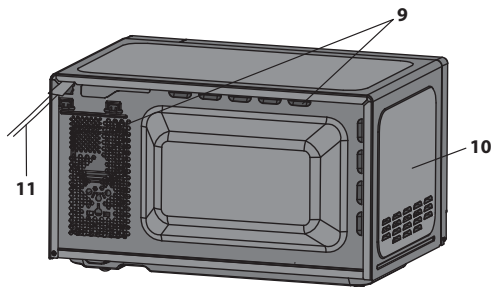
Pārbaudiet, vai šie piederumi ir iekļauti komplektācijā:

Tikai grila krāsnīm:

- **Grila plaukts** – izmantošanai, tikai gatavojot ar grila funkciju.
- Grila plaukts ir paredzēts izmantošanai tikai grila krāsnīs. NEIZMANTOJIET plauktu ar mikroviļņu funkciju.
- Informāciju par grila plauktu skatiet šīs rokasgrāmatas sadaļā GRILS.

Nekad neaiztieciot grilu, ja tas ir karsts.

PIEZĪME. Kad pasūtāt piederumus, ņemiet vērā divas lietas: detaļas numuru un modeļa nosaukumu.



PIEZĪMES.

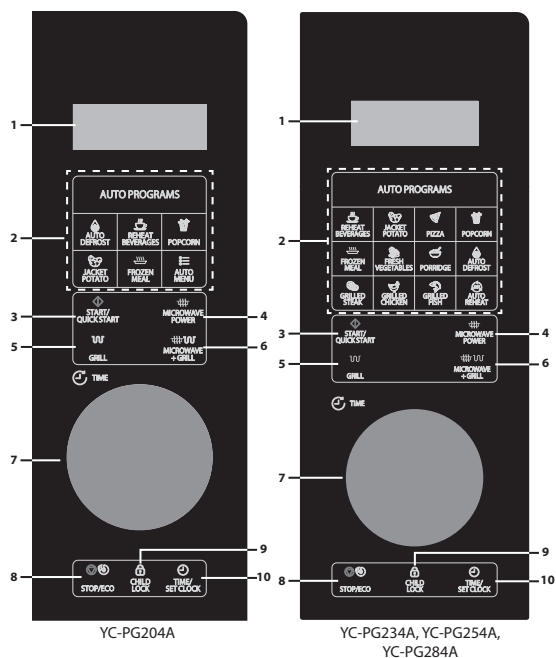
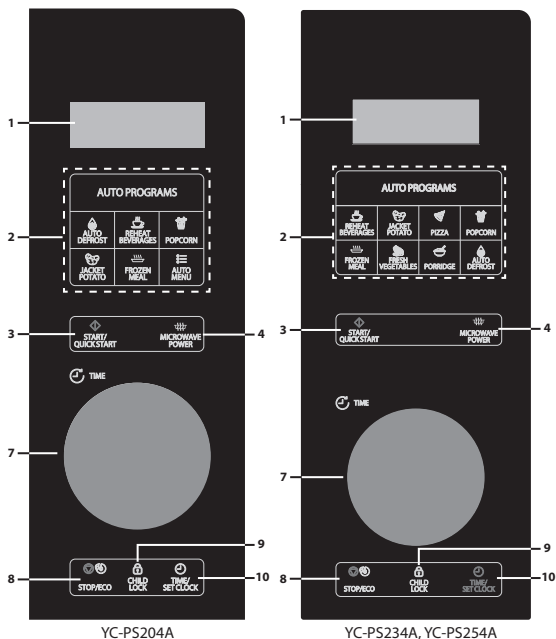
- Pēc taukainu ēdienu gatavošanas bez pārklājuma vienmēr rūpīgi iztīriet krāsns iekšpusi, tai ir jābūt sausiem un bez taukiem. Uzkrājušies tauki var pārkarst un radīt dūmus vai aizdegties.
- Gatavojot ar mikroviļņiem, vienmēr novietojiet trauku uz rotējošā šķīvja.
- NEIZMANTOJIET grila plauktu tikai ar mikroviļņu funkciju.



BRĪDINĀJUMS! Šis simbols nozīmē to, ka lietošanas laikā virsmas sakarst. Lietošanas laikā durvis, ārējais korpuss, krāsns iekšpuse, piederumi un trauki kļūst ļoti karsti. Lai izvairītos no apdegumiem, vienmēr lietojiet biezus krāsns cimdus.

VADĪBAS PANELIS

- 1. DIGITĀLAIS DISPLEJS** — tiek rādīts gatavošanas laiks, jauda, indikatori un pulksteņa laiks.
- Poga **AUTO MENU** – nospiediet, lai atlasītu automātiskās gatavošanas izvēlni. (Informāciju par lietošanu skatiet 19. lpp.).
- Poga **START/QUICK START** – (17. lpp.).
- Poga **MICROWAVE POWER** — nospiediet, lai atlasītu mikroviļņu jaudas līmeni. (16. lpp.).
- Poga **GRILL** — nospiediet, lai iestatītu grilēšanas programmu. (17. lpp.).
- Poga **MICROWAVE+GRILL** — nospiediet, lai iestatītu apvienotu mikroviļņu un grila gatavošanas programmu. (18. lpp.).
- GROZĀMĀ POGA** – grieziet pulksteņrādītāju kustības virzienā vai pretēji pulksteņrādītāju kustības virzienam, lai iestatītu dažādas funkcijas.
- Poga **STOP/ECO** — nospiediet vienreiz, lai uz laiku apturētu gatavošanu, vai nospiediet divreiz, lai pilnībā atceltu gatavošanu. Izmantojiet, lai iestatītu enerģijas taupīšanas režīmu. 23
- Poga **CHILD LOCK** — (24. lpp.).
- Poga **TIME/SET CLOCK** — izmanto, lai iestatītu taimera funkciju. (15. lpp.).



PIRMS KRĀSNS LIETOŠANAS

Kad krāsns pirmo reizi tiek pievienota pie strāvas padeves avota, atskan skaņas signāls un displejā tiek rādīts "1:00". Nemet vērā, ka pulkstenim nav jābūt iestatītam, lai krāsns darbotos pareizi. Lai iestatītu pulksteni, ievērojiet šīs lietotāja rokasgrāmatas sadaļā "Pulksteņa iestatīšana" sniegtos norādījumus.

Kad krāsns ir jauna, pirmo reizi izmantojot grilu, tiek izdalīti dūmi un smaka. Lai izvairītos no tā, kad gatavojat ēdienu, aptuveni 20 minūtes izmantojiet grila funkciju bez pārtikas.

- Pēc durvju atvēršanas un aizvēršanas, krāsni tiek ieslēgts gaidstāves režīms. Ja 1 minūtes laikā netiek nospiesta neviena poga, displejs paliek ieslēgts un pogas darbojas. Lai atkal pārslēgtu uz gaidstāves režīmu, atveriet un aizveriet durvis.
- Ja gatavošanas laikā vienreiz tiek nospiesta poga **STOP/ECO**, gatavošanas cikls tiek pauzēts. Lai atsāktu gatavošanas procesu, nospiediet pogu **START/QUICK START**. Ja poga **STOP/ECO** nospiesta divreiz, gatavošanas ir atcelta.
- Kad programmējat krāsniņā īpašu funkciju un starp pogas nospiešanām ir vairāk par 30 sekundēm, krāsns tiek pārslēgta gaidstāves režīmā.
- Kad gatavošanas cikls ir pabeigts, displejā redzams "End" (Beigas) un signāls ir dzirdams ik pēc divām minūtēm, līdz tiek nospiesta poga vai atvērta durvis.

PULKSTEŅA IESTATĪŠANA

Šai krāsniņā ir pulkstenis, kuru var izmantot 12 vai 24 stundu režīmā. Lai iestatītu pulksteni, izpildiet tālāk sniegtos norādījumus.

1. Gaidstāves režīmā vismaz 3 sekundes turiet nospiešu pogu **TIME/SET CLOCK**, lai atvērtu pulksteņa iestatīšanas režīmu.
 2. Nospiediet pogu **TIME/SET CLOCK**, lai atlasītu 12 vai 24 stundu režīmu.
 3. Grieziet **GROŽĀMO POGU**, lai iestatītu stundas. Nospiediet pogu **TIME/SET CLOCK**, lai saglabātu.
 4. Grieziet **GROŽĀMO POGU**, lai iestatītu minūtes. Nospiediet pogu **TIME/SET CLOCK**, lai saglabātu un aizvērtu pulksteņa iestatīšanas režīmu.
- Lai krāsns darbotos, nav nepieciešams iestatīt pulksteni.
 - Pulksteņa režīmā nospiediet pogu **TIME/SET CLOCK**, lai skatītu dienas laiku (ja iestatīts). Pēc piecām sekundēm dienas laiks mainās atpakaļ uz gatavošanas laika atpakaļskaitīšanu. Nemet vērā, ka dienas laiku nevar skatīt, ja virtuves taimeris ir iestatīts.

ĒDIENU GATAVOŠANA MIKROVIĻŅU KRĀSNĪ

Lai izmantotu mikroviļņu funkciju, izpildiet tālāk sniegtos norādījumus.

1. Gaidstāves režīmā nospiediet pogu **MICROWAVE POWER**, lai atlasītu jaudas līmeni. Katru reizi, kad tiek nospiesta poga, displejā redzams mikroviļņu jaudas līmenis.
2. Līdzko atlasīts nepieciešamais jaudas līmenis, grieziet **GROZĀMO POGU**, lai atlasītu gatavošanas laiku.
3. Nospiediet pogu **START/QUICK START**, lai sāktu gatavošanu.
4. Kad gatavošanas cikls ir pabeigts, displejā redzams "End" (Beigas) un ik pēc divām minūtēm ir dzirdams signāls, līdz tiek nospiesta poga vai atvērta durvis.

Ņemiet vērā, ka tālāk redzamā tabula ir tikai atsaucei. Jūsu krāsnij ir 10 jaudas līmeņi. Tie ir 10%, 20%, 30%, 40%, 50%, 60%, 70%, 80%, 90% un 100%. Faktisko vatu jaudu var aprēķināt, mikroviļņu jaudu reizinot ar procentuālo vērtību.

Mikroviļņu gatavošanas ceļvedis

Displejs	Mikroviļņu jauda	Ieteicamais lietojums
P100	100%	Tiek izmantots ātrai gatavošanai vai uzsildīšanai, piemēram, sautējumiem, dzērieniem, dārzeņiem u.c.
P-80	80%	Blīvai pārtikai, kam, parasti cepot, nepieciešams ilgs cepšanas laiks, piemēram, gaļas ēdieniem, ir ieteicams izmantot šo jaudas iestatījumu, lai nodrošinātu, ka gaļa ir mīksta.
P-60	60%	Izmanto blīvu produktu ilgākai gatavošanai, piemēram, ceptu gurna gabalu, maltās gaļas un pārklātu ēdienu gatavošanai, kā arī jutīgiem ēdieniem, piemēram, siera mērcei un biskvītkūkām.
P-40	40%	Atkausēšanas iestatījums; atkausēšanai izvēlieties šo jaudas iestatījumu, lai nodrošinātu, ka ēdiens atkūst vienmērīgi. Šis iestatījums ir arī ideāls risu, makaronu, pelmeņu vārīšanai un olu krēma gatavošanai.
P-20	20%	Maigai atkausēšanai, piemēram, krēma kūkai vai mīklai.

- Gatavošanas laikā varat pārbaudīt gatavošanas jaudas līmeni, turot nospiestu pogu **MICROWAVE POWER**.
- Ilgākais gatavošanas laiks ir 95 minūtes.

ĀTRĀ SĀKŠANA

Ja nepieciešams gatavot ar 100% jaudas līmeni, gaidstāves režīmā vienkārši nospiediet pogu **START/QUICK START** vai **JOG DIAL**. Katrā pogas **START/QUICK START** nospiešanas reizē gatavošanas laikam tiek pievienotas 30 sekundes.

GRILĒŠANA*

Grila sildelementam krāsns iekšpuses augšā ir tikai viens jaudas iestatījums, tas ir efektīvs un ekonomisks. Grils ir lieliski piemērots bekona, gammona steika, zivs pirkstiņu un tējas kūkas gatavošanai.

Grila plauktu izmantojiet mazu produktu, piemēram, bekona un desas grilēšanai, kad puse no grilēšanas laika ir pagājusi, apgrieziet produktus otrādāk. Pārtiku var novietot tieši uz plaukta vai ievietot plakanā traukā vai uz karstumizturīgas plāksnes. Lai nodrošinātu, ka visi tauki vai eļļa, kas notek no pagatavotās pārtikas, tiek savākti, pārliecinieties, vai zem grila plaukta tiek novietota atbilstoša paplāte.

Kad sautējamā traukā apbrūnīnāt un apgrauzdējat pārtikas produkta virsmu, grila plauktu var izmantot, ja trauks ir pietiekami sekls. Tomēr ir ieteicams šādu trauku novietot tieši uz rotējošā šķīvja, izmantojot nedaudz ilgāku laiku, lai apbrūnīnātu un apgrauzdētu. Nav iespējams grila plauktu izmantot grilēšanai.

Lai izmantotu grila funkciju, izpildiet tālāk sniegtos norādījumus.

1. Gaidstāves režīmā nospiediet pogu **GRILL**, lai atlasītu grila funkciju. Displejā redzams **"Grill"** (Grils)
2. Grieziet **GROŽĀMO POGU**, lai atlasītu gatavošanas laiku.
3. Nospiediet pogu **START/QUICK START**, lai sāktu gatavošanu.
4. Kad gatavošanas cikls ir pabeigts, displejā redzams **"End"** (Beigas) un ik pēc divām minūtēm ir dzirdams signāls, līdz tiek nospiesta poga vai atvērtas durvis.

* - *Tikai modeļiem ar grila funkciju.*

MIKROVIĻŅI + GRILS*

Izmantojot mikroviļņus un grila funkciju, ir iespējams ātri apbrūnināt un apgraudzēt pārtiku. Lai izmantotu mikroviļņu un grila funkciju, izpildiet tālāk sniegtos norādījumus.

1. Gaidstāves režīmā vienreiz nospiediet pogu **MICROWAVE + GRILL** vai divreiz, lai atlasītu "Co-1" vai "Co-2".
2. Grieziet **GROZĀMO POGU**, lai iestatītu gatavošanas laiku.
3. Nospiediet pogu **START/QUICK START**, lai sāktu.
4. Kad gatavošanas cikls ir pabeigts, displejā redzams "End" (Beigas) un ik pēc divām minūtēm ir dzirdams signāls, līdz tiek nospiesta poga vai atvērtas durvis.

Mikroviļņu + grila funkcija

Displejs	Izvide	Ieteicamais lietojums
Co-1	70% grils / 30% mikroviļņi	Vistas gaļas gabali, vistas krūtiņa, cūkas ribiņas
Co-2	56% grils / 44% mikroviļņi	Vesela vista

- Maksimālais gatavošanas laiks ar grila funkciju ir 95 minūtes.
- Lai krāsns lietošanas laikā atbrīvotos no dūmiem vai smakām, atveriet logu vai ieslēdziet virtuves ventilācijas sistēmu. Tas ir normāli, un tas nav krāsns bojājums.
- Gatavošanas laikā varat pārbaudīt pašreizējo gatavošanas jaudas kombināciju, nospiežot pogu **MICROWAVE + GRILL**.
- Kad izmantojat grila funkciju, grils pēc noteikta intervāla automātiski ieslēdzas un izslēdzas, lai novērstu pārkaršanu.
- Kad izmantojat MIKROVIĻŅU + GRILA funkciju, pārtiku var ievietot atbilstošā traukā tieši uz krāsns rotējošā šķīvja vai uz komplektā ietvertā grila plaukta.

BRĪDINĀJUMS! Durvis, ārējais korpuss, krāsns dobums, piederumi un trauki darbības laikā kļūs ļoti karsti. Lai novērstu apdegumus, vienmēr lietojiet biezu krāsns cimdus.

* - *Tikai modeļiem ar grila funkciju.*

AUTOMĀTISKA IZVĒLNE

Ērtākai lietošanai automātiskās programmas nodrošina ātrāku un efektīvāku pārtikas gatavošanu, tikai ar dažiem pogas spiedieniem. Ir nepieciešams ieprogrammēt ilgumu un gatavošanas jaudu, viss, kas nepieciešams, ir jānospiež nepieciešamā automātiskās gatavošanas poga, jāievada svars/daudzums, griežot **GRIEŽAMO POGU** un pēc tam nospiežot pogu **START/QUICK START**.

Piemēram, lai gatavotu divus kartupeļus ar mizu, rīkojieties, kā norādīts tālāk.

1. Atveriet durvis un novietojiet pārtiku krāsnis iekšpusē, izmantojot gatavošanas ciklam piemērotu siltumizturīgu trauku.
2. Aizveriet durvis.
3. Vienu reizi nospiediet pogu **JACKET POTATO**.
4. Griežiet **GROŽAMO POGU**, lai ievadītu kartupeļu skaitu.
5. Nospiediet pogu **START/QUICK START**.
6. Kad gatavošanas cikls ir pabeigts, displejā redzams **"End"** (Beigas) un ik pēc divām minūtēm ir dzirdams signāls, līdz tiek nospiesta poga vai atvērtas durvis.

Automātiskās gatavošanas izvēlnes

Automātiskā programma	Izmērs/svars
Saldēta maltīte Automātiskā atkausēšana Automātiskā uzsildīšana	Atlasiet svaru, griežot GROŽAMO POGU . Sasaldēts ēdiens un automātiskā uzsildīšana (no 200 līdz 800 g), automātiska atkausēšana (no 100 līdz 1800 g)
Dzērienu uzsildīšana	Griežot GROŽAMO POGU , atlasiet glāžu daudzumu (200 ml katrā). 1 līdz 3 glāzes.
Kartupelis ar mizu	Griežot GROŽAMO POGU , atlasiet kartupeļu skaitu (230 g katrs). 1 līdz 2 kartupeļiem.
Pīca	Griežot GROŽAMO POGU , atlasiet pīcas svaru (150 g/300 g/450 g).
Popkorns	Griežot GROŽAMO POGU , atlasiet popkorna iepakojumu skaitu (100 g katrs).
Svaigi dārzeņi	Griežot GROŽAMO POGU , atlasiet dārzeņu svaru (no 200 g līdz 600 g).
Biezputra	Griežot GROŽAMO POGU , atlasiet biežputras svaru (gramos) no 50 līdz 150 g.
Grilēts steiks (tikai modeļiem ar grilu)	Griežot GROŽAMO POGU , atlasiet steika svaru (no 200 g līdz 600 g).
Grilēta vista (tikai modeļiem ar grilu)	Griežot GROŽAMO POGU , atlasiet vistas svaru (no 200 g līdz 600 g).
Grilēta zivs (tikai modeļiem ar grilu)	Griežot GROŽAMO POGU , atlasiet zivs svaru (no 200 g līdz 600 g).

- Automātiskās gatavošanas rezultāts ir atkarīgs no dažādiem tādiem faktoriem kā ēdiena formas un izmēra, personīgās vēlnes, kādai gatavībai ir jābūt noteiktam ēdienam un kā ēdiens ir novietots krāsnī. Ja gatavošanas rezultāts nav apmierinošs, atbilstoši pielāgojiet gatavošanas laiku.

Piezīme. Piezīme. Automātiskās izvēlnes poga tiek izmantota tikai YC-PG204A un YC-PS204A modeļiem. Katrā automātiskās izvēlnes pogas nospiešanas reizē displejā ir redzama iepriekš tabulā norādītā automātiskā programma. Ja ir atrasta vēlamā automātiskā izvēlnē, griežiet **GROŽAMO POGU**, lai atlasītu gatavojamā ēdiena svaru.

Informācija par automātiskajām programmām

Pārtika	Daudzums	Sākotnējā temperatūra	Gatavošanas metode
Dzērienu uzsildīšana	1 līdz 3 glāzes 1 glāze = 200 ml	Apkārtējā vide	<ol style="list-style-type: none"> 1. Novietojiet sildāmo dzērienu mikroviļņu stikla rotējošā šķīvja centrā 2. Aizveriet durvis un nospiediet pogu REHEAT BEVERAGES un atlasiet glāžu skaitu, griežot GROZĀMO POGU. 3. Nospiediet pogu START/QUICK START, lai sāktu gatavošanu. 4. Kad taimeris apstājas, izņemiet dzērienu. Rikojieties uzmanīgi, jo dzēriens ir karsts.
Kartupeļi ar mizu	1 līdz 2 kartupeļi 1 kartupeļis = apm. 230±10 g	Apkārtējā vide	<ol style="list-style-type: none"> 1. Nomazgājiet un noslaukiet kartupeļi(-ļus) un vairākas reizes saduriet kartupeļa virsmu ar dakšu. 2. Novietojiet kartupeļi(-ļus) mikroviļņu stikla rotējošā šķīvja centrā. 3. Aizveriet durvis, nospiediet pogu JACKET POTATO un atlasiet kartupeļu skaitu, izmantojot GROZĀMO POGU. 4. Nospiediet pogu START/QUICK START, lai sāktu gatavošanu. 5. Kad taimeris apstājas, izņemiet kartupeļi(-ļus) no mikroviļņu krāns. Rikojieties uzmanīgi, jo ēdiens var būt karsts.
Pica	No 150 līdz 450 g	Saldēts -18 °C	<ol style="list-style-type: none"> 1. Novietojiet picu uz mikroviļņu drošas paplātes mikroviļņu stikla rotējošā šķīvja centrā. 2. Aizveriet durvis un nospiediet pogu PIZZA un atlasiet svaru, griežot GROZĀMO POGU. 3. Nospiediet pogu START/QUICK START, lai sāktu gatavošanu. 4. Kad taimeris apstājas, izņemiet picu no mikroviļņu krāns. Rikojieties uzmanīgi, jo ēdiens var būt karsts.
Popkorns	100 g	Apkārtējā vide	<ol style="list-style-type: none"> 1. Novietojiet popkornu mikroviļņu stikla rotējošā šķīvja centrā. 2. Aizveriet durvis un nospiediet pogu POPCORN. 3. Nospiediet pogu START/QUICK START, lai sāktu gatavošanu. 4. Kad taimeris apstājas, izņemiet popkornu no mikroviļņu krāns. Rikojieties uzmanīgi, jo ēdiens var būt karsts.
Saldēta maltīte	No 200 līdz 800 g	Saldēts -18 °C	<ol style="list-style-type: none"> 1. Novietojiet saldēto pārtiku uz mikroviļņu drošā šķīvja un pāršedziet ar plastmasas plēvi; izduriet plastmasā atveres. 2. Novietojiet šķīvi rotējošā šķīvja centrā. 3. Aizveriet durvis, nospiediet pogu FROZEN MEAL un atlasiet svaru, griežot GROZĀMO POGU. 4. Nospiediet pogu START/QUICK START, lai sāktu gatavošanu. 5. Kad taimeris apstājas, izņemiet un servējiet ēdiena. Rikojieties uzmanīgi, jo ēdiens var būt karsts.
Svaigi dārzeņi	No 200 līdz 600 g	Apkārtējā vide	<ol style="list-style-type: none"> 1. Mazgājiet un sagriežiet dārzeņus mazās daļās; 25–30 mm garumā un 10 mm biezumā. 2. Novietojiet šīs daļas mikroviļņu drošā keramikas bļodā un pāršedziet ar plastmasas plēvi; izduriet plastmasā atveres. 3. Novietojiet bļodu mikroviļņu stikla rotējošā šķīvja centrā. 4. Aizveriet durvis un nospiediet pogu FRESH VEGETABLES, atlasiet svaru, griežot GROZĀMO POGU. 5. Nospiediet pogu START/QUICK START, lai sāktu gatavošanu. 6. Kad taimeris apstājas, izņemiet un servējiet ēdiena. Rikojieties uzmanīgi, jo ēdiens var būt karsts.
Biezputra	No 50 līdz 150 g	Apkārtējā vide	<ol style="list-style-type: none"> 1. Bļodā sajauciet auzu pārslas un pienu. Ieteicams izmantot 180 ml piena uz 50 g auzu. 2. Novietojiet bļodu stikla rotējošā šķīvja centrā. 3. Aizveriet durvis un nospiediet pogu PORRIDGE un atlasiet svaru, griežot GROZĀMO POGU. 4. Nospiediet pogu START/QUICK START, lai sāktu gatavošanu. 5. Kad taimeris apstājas, izņemiet un servējiet ēdiena.
Auto-mātiskā uzsildīšana	No 200 līdz 800 g	Atdzesēts 5 °C	<ol style="list-style-type: none"> 1. Ievietojiet aukstos rīsus vai pastu mikroviļņu drošā keramikas bļodā un pāršedziet ar plastmasas plēvi; izduriet plastmasā caurumus. 2. Novietojiet bļodu mikroviļņu stikla rotējošā šķīvja centrā. 3. Aizveriet durvis, nospiediet pogu AUTO REHEAT un atlasiet svaru, griežot GROZĀMO POGU. 4. Nospiediet pogu START/QUICK START, lai sāktu gatavošanu. 5. Kad taimeris apstājas, izņemiet un servējiet ēdiena.
Grilēts steiks	No 200 līdz 600 g	Apkārtējā vide	<ol style="list-style-type: none"> 1. Vienmērīgi izkārtējiet steiku uz grila restītēm, kas pārklātas ar cepampapīru. 2. Novietojiet grila restītes mikroviļņu stikla rotējošā šķīvja centrā. 3. Aizveriet durvis, nospiediet pogu GRILLED STEAK un atlasiet svaru, griežot GROZĀMO POGU. 4. Nospiediet pogu START/QUICK START, lai sāktu gatavošanu. 5. Pēc divām trešdaļām gatavošanas laika atveriet durvis, lai apgrieztu ēdiena, pēc tam aizveriet durvis un turpiniet gatavošanu. 6. Kad taimeris apstājas, izņemiet un servējiet ēdiena. Rikojieties uzmanīgi, jo ēdiens var būt karsts.
Grilēti vistas gabali	No 200 līdz 600 g	Apkārtējā vide	<ol style="list-style-type: none"> 1. Vienmērīgi izkārtējiet vistas gabalus uz grila restītēm, kas pārklātas ar cepampapīru. 2. Novietojiet grila restītes mikroviļņu stikla rotējošā šķīvja centrā. 3. Aizveriet durvis, nospiediet pogu Grilled Chicken un atlasiet svaru, griežot GROZĀMO POGU. 4. Nospiediet pogu START/QUICK START, lai sāktu gatavošanu. 5. Pēc divām trešdaļām gatavošanas laika atveriet durvis, lai apgrieztu ēdiena, pēc tam aizveriet durvis un turpiniet gatavošanu. 6. Kad taimeris apstājas, izņemiet un servējiet ēdiena. Rikojieties uzmanīgi, jo ēdiens var būt karsts.
Grilēti zivs gabali	No 100 līdz 500 g	Apkārtējā vide	<ol style="list-style-type: none"> 1. Vienmērīgi izkārtējiet zivs gabalus uz grila restītēm, kas pārklātas ar cepampapīru. 2. Novietojiet grila restītes mikroviļņu stikla rotējošā šķīvja centrā. 3. Aizveriet durvis, nospiediet pogu GRILLED FISH un atlasiet svaru, griežot GROZĀMO POGU. 4. Nospiediet pogu START/QUICK START, lai sāktu gatavošanu. 5. Pēc divām trešdaļām gatavošanas laika atveriet durvis, lai apgrieztu ēdiena, pēc tam aizveriet durvis un turpiniet gatavošanu. 6. Kad taimeris apstājas, izņemiet un servējiet ēdiena. Rikojieties uzmanīgi, jo ēdiens var būt karsts.

Piezīme.	Izmantotais mikroviļņu krāsns režīms un metode	YC-PS204A	YC-PS234A un YC-PS254A	YC-PG204A	YC-PG234A, YC-PG254A un YC-PG284A
	Gatavošana mikroviļņos tikai ar 100%	1 glāze — 1:40 minūtes 2 glāzes — 3:00 minūtes 3 glāzes — 4:20 minūtes	1 glāze — 1:30 minūtes 2 glāzes — 2:40 minūtes 3 glāzes — 3:50 minūtes	1 glāze — 1:40 minūtes 2 glāzes — 3:00 minūtes 3 glāzes — 4:20 minūtes	1 glāze — 1:30 minūtes 2 glāzes — 2:40 minūtes 3 glāzes — 3:50 minūtes
	Gatavošana mikroviļņos tikai ar 100%	1 kartupeļi — 6:00 minūtes 2 kartupeļi — 9:00 minūtes 3 kartupeļi — 13:00 minūtes	1 kartupeļi — 5:00 minūtes 2 kartupeļi — 8:00 minūtes 3 kartupeļi — 12:00 minūtes	1 kartupeļi — 6:00 minūtes 2 kartupeļi — 9:00 minūtes 3 kartupeļi — 13:00 minūtes	1 kartupeļi — 5:00 minūtes 2 kartupeļi — 8:00 minūtes 3 kartupeļi — 12:00 minūtes
Modelim YC-PS204A un YC-PG204A jāspēj poga AUTO MENU, līdz redzama programma.	Gatavošana mikroviļņos tikai ar 100%	150 g — 1:00 minūte 300 g — 1:30 minūte 450 g — 2:00 minūtes	150 g — 0:50 minūtes 300 g — 1:20 minūte 450 g — 1:50 minūtes	150 g — 1:00 minūte 300 g — 1:30 minūte 450 g — 2:00 minūtes	150 g — 0:50 minūtes 300 g — 1:20 minūte 450 g — 1:50 minūtes
	Gatavošana mikroviļņos tikai ar 100%	100 g — 3:00 minūtes	100 g — 2:00 minūtes	100 g — 3:00 minūtes	100 g — 2:30 minūtes
	Mikroviļņu jauda 100% 1/2 laika, pēc tam 0% jauda 1/6 laika un beigās 100% jauda 1/3 laika	200 g — 8:00 minūtes 400 g — 11:00 minūtes 600 g — 15:00 minūtes 800 g — 18:00 minūtes	200 g — 6:00 minūtes 400 g — 9:00 minūtes 600 g — 13:00 minūtes 800 g — 16:00 minūtes	200 g — 8:00 minūtes 400 g — 11:00 minūtes 600 g — 15:00 minūtes 800 g — 18:00 minūtes	200 g — 6:00 minūtes 400 g — 9:00 minūtes 600 g — 13:00 minūtes 800 g — 16:00 minūtes
Modelim YC-PS204A un YC-PG204A jāspēj poga AUTO MENU, līdz redzama programma.	Gatavošana mikroviļņos tikai ar 100%	200 g — 3:30 minūtes 300 g — 4:30 minūtes 400 g — 5:30 minūtes 500 g — 6:30 minūtes 600 g — 7:30 minūtes	200 g — 3:00 minūtes 300 g — 4:00 minūtes 400 g — 5:00 minūtes 500 g — 6:00 minūtes 600 g — 7:00 minūtes	200 g — 3:30 minūtes 300 g — 4:30 minūtes 400 g — 5:30 minūtes 500 g — 6:30 minūtes 600 g — 7:30 minūtes	200 g — 3:00 minūtes 300 g — 4:00 minūtes 400 g — 5:00 minūtes 500 g — 6:00 minūtes 600 g — 7:00 minūtes
Modelim YC-PS204A un YC-PG204A jāspēj poga AUTO MENU, līdz redzama programma.	Mikroviļņi — 100%	50 g — 2:00 minūtes 100 g — 3:30 minūtes 150 g — 5:30 minūtes	50 g — 2:00 minūtes 100 g — 3:30 minūtes 150 g — 5:30 minūtes	50 g — 2:00 minūtes 100 g — 3:30 minūtes 150 g — 5:30 minūtes	50 g — 2:00 minūtes 100 g — 3:30 minūtes 150 g — 5:30 minūtes
Modelim YC-PG204A jāspēj poga AUTO MENU, līdz redzama programma.	Gatavošana mikroviļņos tikai ar 100%	200 g — 2:00 minūtes 300 g — 2:40 minūtes 400 g — 3:20 minūtes 500 g — 4:00 minūtes 600 g — 4:40 minūtes 700 g — 5:20 minūtes 800 g — 6:00 minūtes	200 g — 1:30 minūtes 300 g — 2:00 minūtes 400 g — 2:30 minūtes 500 g — 3:00 minūtes 600 g — 3:30 minūtes 700 g — 4:00 minūtes 800 g — 4:30 minūtes	200 g — 2:00 minūtes 300 g — 2:40 minūtes 400 g — 3:20 minūtes 500 g — 4:00 minūtes 600 g — 4:40 minūtes 700 g — 5:20 minūtes 800 g — 6:00 minūtes	200 g — 1:30 minūtes 300 g — 2:00 minūtes 400 g — 2:30 minūtes 500 g — 3:00 minūtes 600 g — 3:30 minūtes 700 g — 4:00 minūtes 800 g — 4:30 minūtes
Modelim YC-PG204A jāspēj poga AUTO MENU, līdz redzama programma.	Mikroviļņu krāsns ar 100% jaudu darbojas 10 sekundes, pēc tam 23 sekundes tiek ieslēgta grila funkcija. Šis cikls atkarņojas līdz gatavošanas laika beigām. Mikroviļņu un grila funkcija nekad nedarbojas vienlaikus.	Nav piemērojams	Nav piemērojams	200 g — 15:00 minūtes 300 g — 18:00 minūtes 400 g — 21:00 minūtes 500 g — 24:00 minūtes 600 g — 27:00 minūtes	200 g — 15:00 minūtes 300 g — 18:00 minūtes 400 g — 21:00 minūtes 500 g — 24:00 minūtes 600 g — 27:00 minūtes
Modelim YC-PG204A jāspēj poga AUTO MENU, līdz redzama programma.	Mikroviļņu krāsns ar 100% jaudu darbojas 10 sekundes, pēc tam 23 sekundes tiek ieslēgta grila funkcija. Šis cikls atkarņojas līdz gatavošanas laika beigām. Mikroviļņu un grila funkcija nekad nedarbojas vienlaikus.	Nav piemērojams	Nav piemērojams	200 g — 15:00 minūtes 300 g — 18:00 minūtes 400 g — 21:00 minūtes 500 g — 24:00 minūtes 600 g — 27:00 minūtes	200 g — 15:00 minūtes 300 g — 18:00 minūtes 400 g — 21:00 minūtes 500 g — 24:00 minūtes 600 g — 27:00 minūtes
Modelim YC-PG204A jāspēj poga AUTO MENU, līdz redzama programma.	Mikroviļņu krāsns ar 100% jaudu darbojas 10 sekundes, pēc tam 23 sekundes tiek ieslēgta grila funkcija. Šis cikls atkarņojas līdz gatavošanas laika beigām. Mikroviļņu un grila funkcija nekad nedarbojas vienlaikus.	Nav piemērojams	Nav piemērojams	100 g — 12:00 minūtes 200 g — 15:00 minūtes 300 g — 18:00 minūtes 400 g — 21:00 minūtes 500 g — 24:00 minūtes	100 g — 12:00 minūtes 200 g — 15:00 minūtes 300 g — 18:00 minūtes 400 g — 21:00 minūtes 500 g — 24:00 minūtes

AUTOMĀTISKĀ ATKAUSĒŠANA

Ar automātiskās atkausēšanas funkciju var atkausēt pārtiku pēc svara. Atkausēšanas laiks un jaudas līmenis tiek automātiski iestatīts, līdzko ieprogrammēta pārtikas kategorija un ieprogrammēts svars. Saldētas pārtikas svars ir diapazonā no 100 g līdz 1800 g.

1. Gaidstāves režīmā nospiediet pogu **AUTO DEFROST**.
2. Grieziet **GROŽĀMO POGU**, lai atlasītu atkausējamās pārtikas svaru.
3. Nospiediet pogu **START/QUICK START**, lai sāktu atkausēšanu.
4. Ja krāsns atkausēšanas laikā apstājas, apgrieziet pārtiku, lai nodrošinātu vienmērīgu atkušānu un pēc tam nospiediet pogu **START/QUICK START**, lai atkausētu atlikušo laiku.
5. Kad gatavošanas cikls ir pabeigts, displejā redzams **"End"** (Beigas) un ik pēc divām minūtēm dzirdams signāls, līdz tiek nospiesta poga vai atvērtas durvis.

Automātiska atkausēšana – darbība

Modelis	Svara diapazons	Atkausēšanas laika diapazons	Atkausēšanas darbība	Metode
YC-PG204A	No 100 līdz 1800 g	5,5–39,5 minūtes	Mikrovilņi ar 40% jaudu 1/3 laika, pēc tam 20% jauda nākamo 1/3 laika. Norāde apgrieziet, kad apgriezts, atkausēšana ar 20% jaudu atlikušo laiku.	1. Novietojiet saldēto pārtiku uz mikrovilņus droša šķīvja un pārsedziet ar plastmasas plēvi; izduriet plēvē caurumus. 2. Novietojiet šķīvi rotējošā šķīvja centrā. 3. Aizveriet durvis, nospiediet pogu AUTO DEFROST un atlasiet svaru, griezot GROŽĀMO POGU .
YC-PG204A	No 100 līdz 1800 g	5–39 minūtes		4. Nospiediet pogu START/QUICK START , lai sāktu atkausēšanu.
YC-PS234A un YC-PG234A	No 100 līdz 1800 g	5,5–39,5 minūtes	Gatavošana mikrovilņos ar 20% jaudu pusi laika, norāde apgrieziet. 20% jauda atlikušo laiku.	5. Kad pagājusi puse no atkausēšanas laika, krāsns darbība tiek apturēta un tiek norādīts apgrieziet ēdienu.
YC-PS254A, YC-PG254A un YC-PG284A	No 100 līdz 1800 g	3–37 minūtes	Mikrovilņi ar 30% jaudu 1/3 laika, pēc tam 20% jauda nākamo 1/3 laika. Norāde apgrieziet, kad apgriezts, atkausēšana ar 20% jaudu atlikušo laiku.	6. Atveriet durvis un apgrieziet/pārkārtojiet ēdienu. Aizveriet durvis. 7. Nospiediet pogu START/QUICK START , lai turpinātu gatavošanu. 8. Kad taimeris apstājas, izņemiet ēdienu no mikrovilņu krāsns. Pārbaudiet, vai tas ir pilnībā atkusis.

AUTOMĀTISKĀ UZSILDĪŠANA*

Krāsni var uzsildīt pārtiku pēc lietotāja ievadītā svara. Uzsildīšanas laiks un jaudas līmenis tiek automātiski iestatīts, līdzko ieprogrammēta pārtikas kategorija un ieprogrammēts svars. Uzsildīšanas svars ir diapazonā no 100 g līdz 800 g.

1. Gaidstāves režīmā nospiediet pogu **AUTO REHEAT**.
2. Grieziet **GROŽĀMO POGU**, lai atlasītu uzsildāmās pārtikas svaru.
3. Nospiediet pogu **START/QUICK START**.
4. Kad gatavošanas cikls ir pabeigts, displejā redzams **"End"** (Beigas) un ik pēc divām minūtēm ir dzirdams signāls, līdz tiek nospiesta poga vai atvērtas durvis.

* - Tikai modeļiem ar grila funkciju.

VIRTUVES TAIMERIS

Krāsns ir aprīkots ar virtuves taimerī, kas veic atpakaļskaitīšanu no iestatītā laika.

1. Gaidstāves režīmā vienreiz nospiediet pogu **TIME/SET CLOCK**.
2. Grieziet **GROŽĀMO POGU** uz vēlamo laiku. Ilgākais laiks ir 95 minūtes.
3. Nospiediet pogu **START/QUICK START**, lai apstiprinātu.
4. Displejs rādīs laika atpakaļskaitīšanu no iestatītā laika.
5. Kad rādījums sasniedz nulli, atskan skaņas signāls.

Virtuves taimeris iespējams arī izmantot gatavošanas režīmā. Lai to paveiktu, pārtikas gatavošanas laikā veiciet iepriekš aprakstītās darbības. Tiklīdz ir aktivizēts virtuves taimeris, tas piecas sekundes redzams displejā, pēc tam displejs tiek pārslēgts uz gatavošanas cikla atpakaļskaitīšanas taimerī. Lai skatītu gatavošanas taimerī, atkal vienreiz nospiediet pogu **TIME/SET CLOCK** un virtuves taimeris redzams piecas sekundes, pēc tam atgriežas uz gatavošanas atpakaļskaitīšanu.

- Lai atceltu **TAIMERA** programmu, nospiediet pogu **STOP/ECO**, un displejā tiek rādīts laiks.
- Ja ir uzsākts gatavošanas cikls, izpildot iepriekš aprakstītās darbības, ir iespējams uzsākt virtuves taimerī.

ENERĢIJAS TAUPĪŠANAS FUNKCIJA

Šī funkcija nodrošina iespēju taupīt enerģiju, kad krāsns netiek izmantota. Lai gaidstāves režīmā aktivizētu šo funkciju, nospiediet un 3 sekundes turiet nospiestu pogu **STOP/ECO**. Displejs izslēdzas, krāsns tiek pārslēgta enerģijas taupības režīmā.

Lai atceltu enerģijas taupības režīmu, nospiediet jebkuru pogu vai atveriet un aizveriet krāsns durvis.

SKAŅAS IZSLĒGŠANAS FUNKCIJA

Mikrovilņu krāsnī, izmantojot skaņas izslēgšanas funkciju, ir iespējams izslēgt jebkura signāla skaņu. Lai ieslēgtu skaņas izslēgšanas funkciju, vienreiz nospiediet pogu **CHILD LOCK**, displejā 5 sekundes ir redzams "oFF". Skaņas izslēgšanas režīmā, nospiežot pogu, neatskan skaņas signāls.

Lai ieslēgtu skaņas izslēgšanas funkciju, vienreiz nospiediet pogu **CHILD LOCK**, displejā 5 sekundes parādīsies "on", norādot, ka skaņa ir atkal ieslēgta.

Ja skaņas izslēgšanas funkcija ir iestatīta un krāsns ir atvienota no strāvas padeves avota, tā tiks atcelta, kad tiks pievienota strāvas padeve.

DROŠĪBAS SLĒDZENE

Šī ir automātiska funkcija, lai novērstu, ka bērni bez uzraudzības lieto krāsnī. Gaidstāves režīmā, ja minūtes laikā netiek veikta neviena darbība, krāsnī automātiski tiek aktivizēts drošības slēdzenes režīms un displejā redzams "Loc". Bloķētā stāvoklī visas pogas ir atspējotas. Nospiežot jebkuru pogu, displejā 5 sekundes tiek rādīts slēdzenes indikators, atgādinot lietotājam atcelt drošības slēdzeni.

Lai atslēgtu drošības slēdzeni, vienkārši atveriet un aizveriet mikrovilņu krāsns durvis, un tastatūra atkal tiek aktivizēta, bet slēdzenes indikatora lampiņa nodziest.

BĒRNU DROŠĪBAS SLĒDZIS

Lai iestatītu BĒRNU DROŠĪBAS SLĒDZI, nospiediet un 3 sekundes turiet nospiestu pogu **CHILD LOCK**, ir dzirdams garš signāls un displejā tiek rādīts "Loc". BĒRNU DROŠĪBAS SLĒDŽA režīmā displejā tiek rādīts pulkstenis, ja tiek nospiesta kāda poga vai tiek atvērtas durvis, 5 sekundes tiek rādīts "Loc".

Lai atslēgtu BĒRNU DROŠĪBAS SLĒDŽI, nospiediet un turiet nospiestu pogu **CHILD LOCK** uz laiku līdz 3 sekundēm, līdz atskan skaņas signāls.

TĪRĪŠANA UN APKOPE

- Pirms tīrīšanas izslēdziet krāsni un atvienojiet strāvas vadu no sienas kontaktligzdas.
- Uzturiet krāsns iekšpusi tīru. Kad ēdiens izšļakstās vai izlieti šķidrumi pielīp pie plīts sienām, krāsns virspuses vai pamatnes, noslaukiet ar mitru drānu. Ja krāsns ir ļoti netīrs, var izmantot vieglu mazgāšanas līdzekli. Izvairieties izmantot aerosolu un raupjus tīrīšanas līdzekļus. Tie var notraipīt, saskrāpēt vai notrulināt durvju virsmu.
- Krāsns ārpusi jātīra ar mitru drānu. Lai novērstu detaļu krāsns iekšpusē bojājumus, neļaujiet ventilācijas atverēs iekļūt ūdenim.
- Bieži noslaukiet durvis un logu abās pusēs, durvju blīves un blakus esošās daļas ar mitru drānu, lai notīrītu noplūdes vai šļakatas.
- Nelietojiet raupjus tīrīšanas līdzekļus.
- Netīriet ar tvaika tīrītāju.
- Neļaujiet vadības panelim kļūt mitram. Notīriet ar mīkstu, mitru drānu. Kad tīrāt vadības paneli, atstājiet krāsns durvis atvērtas, lai novērstu nejaūšu ieslēgšanu.
- Ja iekšpusē vai ārpusē ap krāsns durvīm veidojas tvaiki, noslaukiet ar mīkstu drānu. Tas var notikt, kad mikroviļņu krāsns tiek lietota liela mitruma apstākļos. Tas nav bojājums.
- Rotējošā šķīvja pamatne, rotējošā šķīvja atbalsts un savienojums ir regulāri jātīra, lai izvairītos no pārpalikumiem un potenciālas dzirksteļošanas/bojājumiem. Vienkārši noslaukiet ar vieglu mazgāšanas līdzekli.
- Noņemiet smaržas no krāsns, mikroviļņu traukā sajaucot glāzi ūdens ar viena citrona sulu un mizu 5 minūtes veiciet gatavošanu mikroviļņos. Noslaukiet un nosusiniet ar mīkstu drānu.
- Ja rodas apgaismojuma lampas bojājums, sazinieties ar klientu apkalpošanas dienestu, lai saņemtu atbalstu.
- Krāsns ir regulāri jātīra un jālikvidē jebkuri ēdiena pārpalikumi. Ja krāsns netiek uzturēta tīra, krāsns virsma var nodilt, kas nopietni ietekmē ierīces kalpošanas laiku un var radīt bīstamu situāciju.
- Nemetiet šo ierīci māsaimniecības atkritumos; ievērojiet valstī spēkā esošos ieteikumus par atbrīvošanas no šāda veida produktiem.

PIEMĒROTI SILTUMIZTURĪGI TRAUKI

1. Lieliski piemērots materiāls izmantošanai mikroviļņu krāsnī ir mikroviļņus caurlaidošs, tas nodrošina enerģijas plūšanu caur tvertni un ēdiena uzsildīšanu.
2. Mikroviļņi nevar izkļūt caur metālu, tādēļ nevajadzētu izmantot metāla piederumus un traukus.
3. Gatavošanai mikroviļņos nelietojiet pārstrādāta papīra izstrādājumus, jo tie var saturēt mazas metāla daļiņas, kas var radīt dzirksteļošanu un/vai aizdegšanos.
4. Apalji/ovāli trauki ir ieteicami kantainu/iegarenu trauku vietā, jo to stūros ēdiens mēdz pārgatavoties.
5. Lai novērstu pārgatavošanas pakļautajās zonās, var izmantot šauras alumīnija folija loksnes. Bet rīkojieties uzmanīgi, lai neizmantotu pārāk daudz un nodrošiniet 2,54 cm attālumu starp foliju un korpusu.

Sarakstā tālāk ir vispārīgi norādījumi, lai palīdzētu izvēlēties pareizos piederumus.

Gatavošanai piemēroti trauki	Mikroviļņi Drošs	Grils	Komentārs
Cepšanas trauki	✓ / ✗	✗	Vienmēr ņemiet vērā ražotāja norādījumus. Nepārsniedziet ieteiktos sildīšanas laikus. Esiet ļoti uzmanīgs, jo šie trauki var kļūt ļoti karsti.
Ķīnas porcelāns un keramikas izstrādājumi	✓ / ✗	✗	Porcelāns, māla trauki, fajanss un kaulu porcelāns parasti ir piemērots, izņemot tos traukus, kuriem ir metāla dekorējumi.
Karstumizturīgs stikls	✓	✓	Pārliecinieties, vai stikla trauks ir piemērots izmantošanai mikroviļņu krāsnī.
Stikla trauks, kas nav karstumizturīgs	✗	✗	
Karstumizturīga keramika	✓	✓	Pārliecinieties, vai keramikas materiāls nav pārāk plāns vai tam nav pārāk liels minerālu saturs.
Izmantošanai mikroviļņos piemēroti plastmasas trauki	✓	✗	Vienmēr pārbaudiet, vai plastmasas trauki ir piemēroti izmantošanai mikroviļņu krāsnī.
Virtuves papīrs	✓ / ✗	✗	Izmantojiet tikai tādu virtuves papīru, kas paredzēts izmantošanai mikroviļņu krāsnī.
Stikla trauki, piem., Pyrex®	✓ / ✗	✓	Izmantojot smalkus stikla traukus, ir jārikojas uzmanīgi, jo tie var saplīst, ja tiek pēkšņi uzkaršēti.
Metāla paplāte	✗	✓	Metāla traukus nav ieteicams izmantot, jo tie var dzirksteļot, radot aizdegšanos.
Metāla plaukts	✗	✓	Metāla traukus nav ieteicams izmantot, jo tie var dzirksteļot, radot aizdegšanos.
Alumīnija folija Foliņas trauki	✓ / ✗	✓	Nelielus alumīnija folijas gabaliņus var izmantot, lai pasargātu ēdiena no pārkaršanas. Nodrošiniet, lai folija atrastos vismaz 2,54 cm no krāsns sienām, jo to saskares rezultātā var rasties dzirksteļošana. Foliņas trauki nav ieteicami, ja vien ražotājs nav tos norādījis, piemēram, Microfoil®, kura instrukcijas ievērojiet rūpīgi.
Pārtikas plēve	✓	✗	Nedrīkst saskarties ar produktu un ir jāizdursta caurumi, lai tvaikam būtu kur izkļūt.
Plastmasa/polistirols, piem., ātrās ēdināšanas trauki	✓	✗	Ir jārikojas uzmanīgi, jo daži trauki var saplakt, izkust vai mainīt krāsu pie augstas temperatūras.
Saldētavas/cepšanas maisiņi	✓	✗	Ir jāizdursta caurumi, lai tvaikiem būtu kur izkļūt. Pārliecinieties, vai maisiņi ir piemēroti mikroviļņu krāsnij.
Papīra šķīvji/krūzītes un virtuves papīrs	✓	✗	Neizmantojiet plastmasas vai metāla saspaušanas, jo tās var izkust vai aizdegties dzirksteļošanas rezultātā.
Salmu un koka trauki	✓	✗	Izmantojiet tikai sildīšanai vai mitruma absorbēšanai. Jārīkojas uzmanīgi, jo pārkaršana var radīt aizdegšanos.
Pārstrādāts papīrs un avīze	✗	✗	Šo materiālu lietošanas laikā vienmēr uzraugiet krāsnī, jo pārkaršana var radīt aizdegšanos. Var saturēt metāla daļiņas, kas radīs dzirksteles un var izraisīt aizdegšanos.



BRĪDINĀJUMS! Kad sildāt ēdiena plastmasas vai papīra traukus, uzraugiet krāsnī, jo iespējama aizdegšanās.

PIEZĪME. Neatstājiet krāsnī lietošanas laikā bez uzraudzības.

PADOMS GATAVOŠANAI AR MIKROVIĻŅU KRĀSNI

Mikroviļņu krāsnis gatavo ēdienu ātrāk nekā ar ierastajām gatavošanas metodēm. Tāpēc ir svarīgi ievērot noteiktas metodes, lai sasniegtu labu rezultātu. Daudzas no šīm metodēm ir līdzīgas tām, kas tiek izmantotas ierastajā gatavošanā.



BRĪDINĀJUMS! Šķidrumus un produktus nedrīkst sildīt slēgtos traukos vai burkāš/traukos ar vāciņiem, jo to iekšpusē var veidoties spiediens, kas radīs trauka/burkas uzsprāgšanu.

PADOMI PAR GATAVOŠANU

- Ja krāsnis tiek izmantota, vienmēr to uzraugiet.
- Pārliedcinieties, vai virtuves trauki ir piemēroti lietošanai mikroviļņu krāsnī.
- Mikroviļņu krāsnī gatavojamo popkornu lietojiet tikai ieteicamajos iepakojumos (ņemiet vērā ražotāja instrukcijas). Nekad nelietojiet eļļu, ja ražotājs to nav norādījis, kā arī nekad negatavojiet ilgāk par norādīto laiku.



BRĪDINĀJUMS! Ja pārsniedzat ieteiktos gatavošanas laikus un izmantojat pārāk lielus jaudas līmeņus, produkti var pārkarst, sadegt un ārkārtējos gadījumos var aizdegties un sabojāt krāsnī.

Pārkārtošana

Biezākās produkta daļas, piemēram, vistu stilbiņus, izvietojiet šķīvja ārējā malā.

Produkti, kas tiek novietoti tuvāk šķīvja ārējai malai, saņems vairāk enerģijas, t. i., tie gatavosies ātrāk nekā tie, kas atrodas šķīvja centrā.

Pārseģšana

Daži produkti tiek gatavoti labāk, ja tos pārsež gatavojot ar mikroviļņiem.

Izmantojiet mikroviļņu pārtikas plēvi ar atverēm vai piemērotu vāku, lai nosegtu.

Caurumu izduršana

Produktiem ar mizu, ādu vai apvalku ir jāizdur caurumi vairākās vietās pirms gatavošanas vai sildīšanas, jo zem tiem var veidoties tvaiki, kas var radīt produkta uzsprāgšanu.

Šādi produkti, piemēram, ir kartupeļi, zivis, vistas, desas.

PIEZĪME. Olas nedrīkst sildīt, izmantojot mikroviļņu enerģiju, jo tās var eksplodēt, pat pēc vārīšanas beigām, piemēram, vārītas bez čaumalas, ceptas, cieti vārītas.

Apmaisīšana, apgriešana un pārkārtošana

Lai gatavošana notiktu vienmērīgi, tās laikā produktu ir nepieciešams maisīt, apgriezt un pārkārtot. Vienmēr maisiet un pārkārtojiet no trauka ārpuses uz iekšpusi.

Nostāvēšanās

Pēc gatavošanas ir nepieciešams ļaut ēdienam nostāvēties, jo tādējādi siltums vienmērīgi izkliedēsies pa visu pārtikas produktu.

Produktu īpašības	
Sastāvs	Produktiem ar lielu tauku un cukura saturu (piem., Ziemassvētku pudiņam, saldiem pīrādžiņiem) ir nepieciešams īsāks sildīšanas laiks. Ir jāuzmanās, lai nerastos pārkaršana, jo tas var radīt aizdegšanos. Produktos esošie kauli vada siltumu, nodrošinot produktu ātrāku pagatavošanu. Ir jāraugās, lai produkts tiktu pagatavots vienmērīgi.
Biezums	Produkta biezums ietekmēs gatavošanai nepieciešamo laiku. Viegli un poraini produkti, piemēram, kūkas un maize, tiek pagatavoti ātrāk nekā smagi un biezi produkti, piemēram, cepeši vai sautējumi.
Daudzums	Neatkarīgi no tā, cik daudz ēdiena tiek gatavots, mikroviļņu daudzums nemainās. Gatavošanas laiks ir jāpalielina atbilstoši produkta daudzumam, kas tiek ievietots krāsnī. Četrus kartupeļus, piemēram, būs jāgatavo ilgāk nekā divus.
Izmēri	Nelieli produkti un nelieli gabaliņi tiek pagatavoti ātrāk nekā lieli, jo mikroviļņi spēj iekļūt produktā no visām pusēm tā vidusdaļās virzienā. Lai gatavošana būtu vienmērīga, sagatavojiet vienāda izmēra gabaliņus.
Forma	Produktiem ar neregulāru formu, piemēram, vistas krūtiņai vai stilbiņiem, ir nepieciešams vairāk laika, lai pagatavotu to biežākās daļās. Vienmērīgai gatavošanai novietojiet biežākās daļas uz trauka ārējās malas, kur tās saņems vairāk enerģijas. Mikroviļņu krāsni apaļas formas produkti tiek pagatavoti vienmērīgāk nekā kvadrātveida formas produkti.
Produkta temperatūra	Produkta sākotnējā temperatūra ietekmē gatavošanai nepieciešamo laiku. Aukstiem produktiem var būt nepieciešams vairāk laika nekā produktiem ar istabas temperatūru. Trauka temperatūra nav tajā esošā produkta vai dzēriena temperatūras rādītājs. Sagrieziet gabaliņos produktus ar pildījumu, piemēram, ievārijuma miklas virtuļus, lai izlaistu siltumu vai tvaiku.



BRĪDINĀJUMS! Seja un rokas. Lai izņemu produktu vai trauku no krāsns, vienmēr izmantojiet cimdus. Atverot durvis, stāviet attālāk, lai karstums vai tvaiks tiktu izkliedēts. Noņemot pārklājumus (piem., pārtikas plēvi), atverot cepšanas maisiņus vai popkorna iepakojumu, novirziet tvaiku attālāk no sejas un rokām.



BRĪDINĀJUMS! Pārbaudiet ēdiena vai dzēriena temperatūru un samaisiet pirms pasniegšanas. Īpaši uzmanīgi esiet pasniedzot ēdienu zīdaiņiem, bērniem un vecāka gada gājuma cilvēkiem. Zīdaiņu pudelišu un bērnu pārtikas burciņu saturs jāsamaisa vai jāsakrata un jāpārbauda temperatūra pirms satura lietošanas, lai izvairītos no apdegumiem.

PADOMS PAR ATKAUSĒŠANU

Ēdiena atkausēšana, izmantojot mikroviļņu krāsni, ir visātrākais veids. Tas ir vienkāršs process, bet tālāk minētās instrukcijas ir ļoti būtiskas, lai nodrošinātu produkta pilnīgu atkausēšanu.

- Pirms atkausēšanas noņemiet iepakojumu un iesaiņošanas materiālus.
- Produkta atkausēšanai izmantojiet jaudas līmeņus — P-20 vai P-40.
- Skatiet informāciju tālāk.

Pārkārtošana

Tie produkti, kas novietoti uz šķīvja malas, tiks atkausēti ātrāk nekā tie, kas atrodas šķīvja vidusdaļā. Tāpēc ir svarīgi atkausēšanas laikā vismaz 4 reizes pārkārtot produktus.

Pārvietojiet cieši blakus izvietotos produktus no šķīvja ārējās malas uz vidusdaļu un pārkārtojiet vietas, kur produkti pārkļājas.

Tas nodrošinās, ka visas produkta daļas tiek vienmērīgi atkausētas.

Atdališana

Kad produkti tiek izņemti no saldētavas, tie var būt sasaluši kopā. Tiklīdz atkausēšanas procesa laikā ir iespējams, produkti ir jāatdala.

Piemēram, bekona šķēles vai vistas filejas.

Pārklāšana

Dažas no atkausējamajām produkta daļām var kļūt karstas. Lai tās neuzkarstu un nesāktu gatavoties, šīs daļas nepieciešams pārklāt ar nelieliem folijas gabaliņiem, kas atstaro mikroviļņus, piemēram, vistas kājiņas vai spārniņus.

Nostāvēšanās

Nostāvēšanās laiks ir nepieciešams, lai produkts tiktu pilnībā atkausēts.

Atkausēšana ir pabeigta tikai tad, ja produkts ir izņemts no mikroviļņu krāsns. Produktam apsegtā veidā ir jānostāvas noteiktu laika posmu, lai nodrošinātu, ka tā vidusdaļa pilnībā tiek atkausēta.

Apgrīšana

Svarīgi visu ēdienu atkausēšanas laikā līdz pat 4 reizes apgrīezt.

Tas ir svarīgi, lai nodrošinātu pilnīgu atkausēšanu.

PADOMS PAR UZSILDĪŠANU

Produktu uzsildīšanai ņemiet vērā tālāk minētos padomus un vadlīnijas, lai nodrošinātu produktu pilnīgu uzsildīšanu, pirms tas tiek pasniegts.

Maltīte uz šķīvja

Noņemiet visus putnu gaļas un gaļas gabaliņus, uzsildiet tos atsevišķi. Skatiet tālāk.

Mazākas produktu vienības novietojiet šķīvja centrālajā daļā, bet lielākas un biežākas vienības novietojiet šķīvja malās.

Pārklājiet ar mikroviļņus caurlaidīgu mikroviļņu pārtikas plēvi un sildiet ar jaudas līmeni P-50. Kad ir atlikusi puse no sildīšanas laika, apmaisiet vai pārkārtojiet produktus.

PIEZĪME. Pirms pasniegšanas pārlicinieties, vai ēdiens ir pilnībā uzsildīts.

Gaļas šķēles

Pārklājiet ar mikroviļņu pārtikas plēvi ar atverēm un sildiet ar jaudas līmeni P-60. Vismaz vienu reizi pārkārtojiet produktus, lai nodrošinātu vienmērīgu sasildīšanu.

PIEZĪME. Pirms pasniegšanas pārlicinieties, vai gaļa ir pilnībā uzsildīta.

Putnu gaļas gabaliņi

Biezākas gabaliņu daļas novietojiet šķīvja ārējā malā, pārklājiet ar mikroviļņus caurlaidīgu pārtikas plēvi un sildiet ar jaudas līmeni P-70.

Apgrieziet, kad pagājusi puse uzsildīšanas laika.

PIEZĪME. Pirms pasniegšanas pārlicinieties, vai putnu gaļa ir pilnībā uzsildīta.

Sautējumi

Pārklājiet ar mikroviļņus caurlaidīgu pārtikas plēvi vai piemērotu vāciņu un sildiet ar jaudas līmeni P-50.

Bieži maisiet, lai nodrošinātu vienmērīgu sasildīšanu.

PIEZĪME. Pirms pasniegšanas pārlicinieties, vai ēdiens ir pilnībā uzsildīts.

Lai uzsildīšanas laikā iegūtu vislabākos rezultātus, izvēlieties mikroviļņu jaudas līmeni, kas ir piemērots pārtikas veidam. Trauku ar dārzeņiem, piemēram, var uzsildīt, izmantojot jaudas līmeni P-100, bet lazanju, kas satur sastāvdaļas, kuras nevar apmāsit, ir jākarsē ar jaudas līmeni P-40.

PIEZĪMES.

- Pirms uzsildīšanas izņemiet produktu no folijas vai metāla traukiem.
- Uzsildīšanas laiks būs atkarīgs no produkta formas, biezuma, daudzuma un temperatūras kopā ar trauka izmēriem, formu un materiālu.



BRĪDINĀJUMS! Nekad nesildiet šķidrumus traukos ar šauru kakliņu, jo rezultātā tā saturs var izšākties no trauka un radīt apdegumus.

- Lai izvairītos no pārkaršanas un aizdegšanās, esiet ļoti uzmanīgs, sildot pārtikas produktus ar augstu cukura vai tauku saturu, piemēram, cīsiņus mīklā, pirāgus vai Ziemassvētku pudīņu.
- Nekad nesildiet eļļu vai taukus dzīvai cepšanai, jo tas var radīt pārkaršanu un aizdegšanos.
- Mikroviļņu krāsni nedrīkst sildīt konservētus kartupeļus. Par konserviem skatiet ražotāja instrukcijas.



BRĪDINĀJUM! Zidaīņu pudelišu un bērnu pārtikas burciņu saturs jāsamaisa vai jāsakrata un jāpārbauda temperatūra pirms satura lietošanas, lai izvairītos no apdegumiem.

PROBLĒMU NOVĒRŠANA

Ja domājat, ka krāsns nedarbojas pareizi, šeit norādītas dažas vienkāršākās pārbaudes, kuras varat veikt pašu spēkiem, pirms zvanīt apkalpes dienestam. Tas palīdzēs novērst nevajadzīgus zvanus apkalpes dienestam, ja kļūme ir vienkārša. Veiciet tālāk norādītās vienkāršās pārbaudes.

Novietojiet tasi pa pusei pielietu ar ūdeni uz grozāmā šķīvja un aizveriet durvis. Iestatiet taimeru gatavot 1 minūti, izmantojot jaudas līmeni P-100.

1. Vai krāsns lampa iedegas gatavošanas laikā?
2. Vai dzesēšanas ventilators darbojas? (Pārbaudiet, novietojot roku virs gaisa ventilācijas atverēm.)
3. Vai pēc 1 minūtes atskan signāls?
4. Vai ūdens krūzītē ir karsts?

Ja jūsu atbilde uz kādu no jautājumiem ir "NĒ", vispirms pārbaudiet, vai krāsns ir pareizi pievienota pie strāvas padeves un nav izdeguši drošinātāji. Ja problēma joprojām netiek novērsta, skatiet problēmu novēršanas tabulu.



BRĪDINĀJUMS. Nekad neregulējiet, neremontējiet un nepārveidojiet krāsni paša spēkiem. **Apkalpes un remontdarbus veikt ir bīstami ikvienam, izņemot SHARP apmācītus darbiniekus. Tas ir svarīgi, jo var tikt noņemti pārsegi, kas nodrošina aizsardzību pret mikroviļņu enerģiju.**

- durvju blīvējums aiztur mikroviļņu noplūdi krāsns darbības laikā, bet nenodrošina gaisa blīvējumu. Normāla parādība redzēt ūdens lāses, ko rada silta gaisa plūsma ap durvīm. Pārtika ar augstu mitruma saturu rada tvaikus un kondensātu durvju iekšpusē, kas var nopīlēt no krāsns.
- remontdarbi un pārveide. Nemēģiniet lietot krāsni, ja tā nedarbojas pareizi.
- Ārējais korpuss un piekļuve lampai. Nekad nenoņemiet ārējo korpusu. Tas ir ļoti bīstami augstsprieguma daļu dēļ iekšpusē, kurām nekad nedrīkst pieskarties, jo tās var radīt nāvējošas traumas. Krāsns nav aprīkots ar lampas piekļuves vāku. Ja lampa saplīst, nemēģiniet pašrocīgi nomainīt lampu. Zvaniet SHARP apstiprinātam apkalpes centram.

PROBLĒMU NOVĒRŠANAS TABULA

PROBLĒMA	ATBILDE
Ap durvīm cirkulē gaiss.	Kad krāsns darbojas, gaiss cirkulē krāsns iekšpusē. Durvis neveido gaisa blīvējumu, tādēļ gaiss var izkļūt caur durvīm.
Kondensāts veidojas krāsns iekšpusē un var pilēt no durvīm.	Krāsns iekšpusē parasti ir aukstāka par pagatavoto pārtiku un tādēļ gatavošanas laikā radītāis tvaiks kondensējas uz aukstākās virsmas. Radītā tvaika daudzums ir atkarīgs no gatavotās pārtikas ūdens saturs. Dažiem pārtikas veidiem, piemēram, kartupeļiem ir augsts mitruma saturs. Kondensāts uz durvju stikla nožūst pēc pāris stundām.
Liesmošana un dzirksteļošana krāsns iekšpusē gatavošanas laikā.	Dzirksteļošana var notikt, kad gatavošanas laikā metāla objekts nonāk krāsns iekšējās daļas tuvumā. Tas var saskrāpēt krāsns iekšējo virsmu, bet nevar radīt citus krāsns bojājumus.
Kartupeļu dzirksteļošana.	Pārliecinieties, vai kartupeļiem ir izņemtas visas "acis" un tie ir sagriezti. Novietojiet tos tieši uz paplātes, ievietotus karstumizturīgā pīrāgu šķīvi vai līdzīgā traukā.
Izmantojot krāsni tikai grila režīmā, var pamanīt, ka sildelements nav ieslēgts visu laiku.	Tas ir tādēļ, ka grila elementi ieslēdzas un izslēdzas, lai krāsni uzturētu iepriekš iestatīto temperatūru.
Kad izmantojat grilu kombinētajā režīmā, tas neizskatās ieslēgts.	Kombinētā gatavošanas režīma (mikroviļņu un grila funkcija) laikā krāsns pārslēdzas starp divām funkcijām. Mikroviļņu un grila funkcija netiek ieslēgta vienlaikus.
Krāsns nedarbojas, kad nospiesta poga START/QUICK START.	Pārbaudiet, vai durvis ir pareizi aizvērtas.
Krāsns gatavo pārāk lēni.	Pārliecinieties, vai ir atlasīts pareizs jaudas līmenis.
Krāsns rada skaņu.	Līdzko mikroviļņu enerģija ir ieslēgta un izslēgta, var būt dzirdama dūcoša skaņa, tas ir normāli.
Pēc gatavošanas krāsni atskan trokšņi, un šķiet, ka tā joprojām darbojas.	Pēc gatavošanas cikla beigām ventilators dažas minūtes joprojām darbojas, lai atdzesētu krāsni. Tas ir normāli.
Ārējais korpuss ir karsts.	Korpuss var kļūt karsts — neļaujiet bērniem tuvojies.
Pēc pogas nospiešanas displejā redzams "LoC".	Pēc 30 sekundēm krāsns tiek pārslēgta bloķēšanas režīmā, kura laikā nevar nospiegt nevienu pogu. Atveriet un aizveriet durvis un pogas atkal darbojas. Pārbaudiet arī to, vai ierīcē nav ieslēgts bloķēšanas režīms.
Krāsns displejā redzams "Fail" (Kļūme) un ik pēc minūtes skan skaņas signāls.	Ja vadības paneļa pogas tiek turētas nospiešanas ilgām nekā 1 minūti, rodas šī kļūde. Uz dažām minūtēm atvienojiet krāsni no strāvas padeves un pēc tam atkal pievienojiet strāvas padevi.
Ik pēc 30 sekundēm krāsni atskan signāls.	Kad gatavošana tiek pabeigta un durvis netiek atvērtas, ik pēc 30 sekundēm dzirdams skaņas signāls. Lai to apturētu, atveriet un aizveriet durvis.

RĪCĪBA, PIRMS ZVANĪT APKALPES DIENESTAM

Pirms vērsties pēc palīdzības, pārbaudiet katru tālāk norādīto vienumu.

- Pārbaudiet, vai krāsns ir droši pievienota pie strāvas padeves. Pretējā gadījumā atvienojiet no strāvas padeves, uzgaidiet 10 sekundes un atkal pievienojiet pie strāvas padeves.
- Pārbaudiet, vai atslēgts ķēdes drošinātājs vai atslēdzies galvenais automātiskais slēdzis. Ja tie darbojas pareizi, pārbaudiet kontaktligzdu ar citu ierīci.
- Pārbaudiet, vai barošanas un taimera pogas ir iestatītas pareizi.
- Pārbaudiet, vai durvis ir cieši noslēgtas, aktivizējot durvju drošības bloķēšanas sistēmu. Pretējā gadījumā mikroviļņu enerģijas neieplūdis krāsni.

JA NEVIENA NO IEPRIEKŠ NORĀDĪTAJĀM DARBĪBĀM NENOVĒRŠ PROBLĒMU, SAZIENĪETIES AR KVALIFICĒTU TEHNIĶI. NEMĒĢINIET PAŠA SPĒKIEM REGULĒT VAI REMONTĒT KRĀSNI.



Let op:

uw product is gemarkeerd met dit symbool. Dit betekent dat afgedankte elektrische en elektronische apparatuur niet samen met het normale huisafval mogen worden weggegooid. Er bestaat een afzonderlijk inzamelingsstelsel voor deze producten.



www.sharpconsumer.com/contact/



www.sharpconsumer.com/support/



www.sharpconsumer.com/documents-of-conformity/

A. Informatie over afvalverwijdering voor gebruikers (particuliere huishoudens)

1. In de Europese Unie

Let op: Deze apparatuur niet samen met het normale huisafval weggooien! Afgedankte elektrische en elektronische apparatuur moet gescheiden worden ingezameld conform de wetgeving inzake de verantwoorde verwerking, terugwinning en recycling van afgedankte elektrische en elektronische apparatuur.

Na de invoering van de wet door de lidstaten mogen particuliere huishoudens in de lidstaten van de Europese Unie hun afgedankte elektrische en elektronische apparatuur kosteloos* naar hiertoe aangewezen inzamelingsinrichtingen brengen*.

In sommige landen* kunt u bij de aanschaf van een nieuw apparaat het oude product kosteloos bij uw lokale distributeur inleveren.

*) Neem contact op met de plaatselijke autoriteiten voor verdere informatie. Indien uw gebruikte elektrische of elektronische apparatuur batterijen of accu's bevat, dan dienen deze hieraan vooraf afzonderlijk, conform de plaatselijke voorschriften, te worden weggegooid. Door dit product op een verantwoorde manier weg te gooien, zorgt u ervoor dat het afval de juiste verwerking, terugwinning en recycling ondergaat en potentiële negatieve effecten op het milieu en de menselijke gezondheid worden voorkomen, die anders door het verkeerd verwerken van het afval zouden kunnen ontstaan.

2. In andere landen buiten de Europese Unie

Als u dit product wilt weggooien, neem dan contact op met de plaatselijke autoriteiten voor informatie omtrent de juiste verwijderingsprocedure.

Voor Zwitserland: U kunt afgedankte elektrische en elektronische apparatuur kosteloos bij de distributeur inleveren, zelfs als u geen nieuw product koopt.

Aanvullende inzamelingsinrichtingen zijn vermeld op de startpagina van www.swico.ch of www.sens.ch.

B. Informatie over afvalverwijdering voor bedrijven

1. In de Europese Unie

Als u het product voor zakelijke doeleinden heeft gebruikt en als u dit wilt weggooien:

Neem contact op met uw SHARP distributeur die u inlichtingen verschaft over de terugname van het product. Het kan zijn dat u een afvalverwijderingsbijdrage voor de terugname en recycling moet betalen. Kleine producten (en kleine hoeveelheden) kunnen door de lokale inzamelingsinrichtingen worden verwerkt.

Voor Spanje: Neem contact op met de inzamelingsinrichting of de lokale autoriteiten voor de terugname van uw afgedankte producten.

2. In andere landen buiten de Europese Unie

Als u dit product wilt weggooien, neem dan contact op met de plaatselijke autoriteiten voor informatie omtrent de juiste verwijderingsprocedure.

Voor service, zie www.sharpconsumer.com/contact/, voor uw garantierechten gaat u naar www.sharpconsumer.com/support/ of neemt u contact op met de winkel waar u uw product hebt gekocht. De conformiteitsverklaringen zijn te vinden op www.sharpconsumer.com/documents-of-conformity/

VOORZORGSMAATREGELEN OM MOGELIJKE BLOOTSTELLING AAN MICROGOLFENERGIE TE VERMIJDEN

1. Probeer niet om deze oven te gebruiken met de deur open: dit kan leiden tot een schadelijke blootstelling aan microgolven. Het is belangrijk om de veiligheidssluitingen intact te houden en hier niet mee te knoeien.
2. Plaats niets tussen de voorkant van de oven en de deur en voorkom dat vuil of resten van schoonmaakmiddelen zich ophopen op de afdichtingen.
3. Gebruik de oven niet indien deze is beschadigd. Het is bijzonder belangrijk dat de ovendeur goed sluit en dat de deur zelf en de scharnieren, veiligheidsvergrendelingen of afdichtingen van de deur en afdichtingsvlakken niet beschadigd zijn.
4. Tracht de oven niet te repareren of af te stellen.

INHOUDSOPGAVE

BELANGRIJKE VEILIGHEIDSMATREGELEN	3
INSTALLATIE	12
RADIOSTORING	13
AARDINGSINSTRUCTIES	13
SPECIFICATIES	13
OVEN EN TOEBEHOREN	14
BEDIENINGSPANEEL	15
VOOR HET GEBRUIK VAN DE OVEN	16
DE KLOK INSTELLEN	16
VOEDSEL BEREIDEN MET DE MAGNETRON	17
SNELSTART	18
GRILLBEREIDING*	18
MAGNETRON + GRILL*	18
AUTOMENU	19
AUTOMATISCH ONTDOOIJEN	22
AUTOMATISCH OPWARMEN*	22
KOOKWEKKER	23
ENERGIESPAARSTAND	23
MUTE-FUNCTIE	24
VEILIGHEIDSVERGRENDELINGSSYSTEEM	24
KINDERSLOT	24
REINIGING EN ZORG	25
GESCHIKTE SCHALEN	26
TIPS VOOR KOKEN MET DE MAGNETRON	27
TIPS VOOR ONTDOOIJING	29
TIPS VOOR OPWARMEN	30
PROBLEEMOPLOSSING	31
VOORDAT U HULP INROEPT	33

* - Alleen voor modellen met grill.

BELANGRIJKE VEILIGHEIDSMATREGELEN

ZORGVULDIG LEZEN EN BEWAREN VOOR GEBRUIK IN DE TOEKOMST.

Om brand te voorkomen, laat u de combi-magnetron tijdens gebruik niet onbeheerd achter. Te hoge vermogensniveaus of te lange bereidingstijden kunnen het voedsel mogelijk oververhitten met brand als gevolg.

Deze oven werd uitsluitend ontworpen om op een aanrecht te gebruiken. Hij is niet geschikt om in een muur of een kast te worden ingebouwd. Plaats de oven niet in een kast.

Steek de stekker van het netsnoer in een gemakkelijk toegankelijk stopcontact zodat u de stekker bij nood snel uit het stopcontact kunt trekken.

Sluit de oven alleen aan op een stopcontact met 230-240 V, 50 Hz wisselstroom met een minimale 10A-zekering of een minimale 10A-circuitonderbreker. Voor dit apparaat moet een afzonderlijk stroomcircuit worden gebruikt dat alleen voor dit apparaat bestemd is.

Plaats de oven niet op plaatsen waar hitte wordt opgewekt. Bijvoorbeeld naast een conventionele oven. Plaats de oven niet in een zeer vochtige of natte ruimte. Plaats of gebruik de oven niet buitenshuis.

Als u rook opmerkt, dient u de oven uit te schakelen of de stekker uit het stopcontact te trekken en de deur gesloten te houden zodat eventuele vlammen doven.

Gebruik alleen bakjes, schalen en dergelijke die geschikt zijn voor combi-magnetrons. Zorg dat de gebruikte bakjes, schalen etc. geschikt zijn voor gebruik in combi-magnetrons.

Bij het verwarmen van eten in plastic of papieren bakjes dient u op de combi-magnetron te letten of de bakjes

geen vlam vatten.

Reinig het afdekplaatje voor de golfgeleider en de ovenruimte. Deze onderdelen dienen droog en vetvrij te zijn. Opgehoopt vet kan mogelijk oververhitten, gaan roken en vlam vatten.

Plaats geen ontvlambare materialen in de buurt van de oven of de ventilatie-openingen.

Blokkeer de ventilatie-openingen niet.

Verwijder alle metalen draadjes, verzegelingen, enz. van het voedsel en de verpakking. Vonken van metalen voorwerpen kunnen mogelijk brand veroorzaken.

Gebruik de combi-magnetron niet voor bakken met olie of het verwarmen van frituurvet. De temperatuur kan namelijk niet worden geregeld en de olie kan mogelijk vlam vatten.

Gebruik alleen popcorn die in een voor magnetrons geschikt materiaal is verpakt.

Bewaar geen voedsel of andere voorwerpen in de oven.

Controleer de instellingen van de oven na het starten ervan om ervoor de zorgen dat de oven naar wens werkt.

Laat de oven niet onbewaakt achter terwijl deze in werking is.

Om oververhitting en brand te voorkomen dient u goed op te letten wanneer u voedsel met een hoog suiker- of vetgehalte, zoals bijvoorbeeld worstenbroodjes, gebak of kerstpudding verhit of opwarmt. Volg de bijbehorende aanwijzingen in de gebruikershandleiding.

Voorkomen van letsel. WAARSCHUWING

Gebruik de oven niet indien deze is beschadigd of niet normaal functioneert. Controleer voor gebruik het volgende:

- a)** Controleer of de deur goed sluit en niet krom of anders beschadigd is.

- b) Controleer of de scharnieren en deurvergrendelingen niet gebroken zijn of loszitten.
- c) Controleer of de deurafdichtingen en afdichtingsvlakken niet zijn beschadigd.
- d) Controleer of er geen deuken in de ovenruimte of in de deur zitten.
- e) Controleer of het netsnoer en de stekker niet beschadigd zijn.

Als de deur of de afdichtingen beschadigd zijn, mag de oven niet gebruikt worden totdat hij door een vakman is gerepareerd.

Nooit zelf aanpassingen, veranderingen of reparaties aan de oven uitvoeren. Niemand, behalve een gekwalificeerde technicus, dient onderhouds- of reparatiewerkzaamheden uit te voeren waarbij een afdekking die bescherming biedt tegen blootstelling aan microgolven, wordt verwijderd. Dit kan gevaarlijk zijn.

Gebruik de oven niet wanneer de deur openstaat en bewerk de vergrendelingen van de deur niet. Gebruik de oven niet wanneer er zich een voorwerp tussen de deurafdichtingen en pasvlakken bevindt.

Laat vet of vuil zich niet opbouwen op de deurafdichtingen of aangrenzende delen. Reinig de oven regelmatig en verwijder voedselresten.

Volg de instructies voor "Onderhoud en reiniging". Indien de oven niet naar behoren schoon wordt gehouden, kan dit leiden tot aantasting van het oppervlak. Dit kan dan weer leiden tot een verkorte levensduur van het apparaat en mogelijk tot gevaarlijke situaties.

Personen met een PACEMAKER dienen een dokter of de fabrikant van de pacemaker te raadplegen aangaande speciale voorzorgsmaatregelen bij gebruik van combi-magnetrons.

Het voorkomen van de mogelijkheid van een elektrische schok.

- De behuizing mag nooit worden geopend of verwijderd.
- Zorg dat er geen vloeistoffen of andere voorwerpen in de openingen van de deurvergrendelingen of ventilatie-openingen komen. Indien er iets in deze openingen terecht is gekomen schakel de oven dan onmiddellijk uit, trek de stekker uit het stopcontact en raadpleeg erkend SHARP onderhoudspersoneel.
- Dompel het netsnoer en de stekker niet in water of andere vloeistoffen.
- Laat het netsnoer niet over de rand van een tafel of werkblad hangen.
- Houd het netsnoer uit de buurt van warme oppervlakken, inclusief de achterkant van de oven.
- Houd het apparaat en het netsnoer buiten bereik van kinderen jonger dan 8 jaar.
- Vervang de ovenlamp niet zelf en laat dit niet door ondeskundige, niet door SHARP erkende elektriciens uitvoeren. Raadpleeg uw dealer of erkend SHARP onderhoudspersoneel indien de ovenlamp niet meer functioneert.
- Als het netsnoer beschadigd is, dan dient dit door een erkend SHARP onderhoudspersoneel vervangen te worden.

WAARSCHUWING: vloeistoffen en andere etenswaren mogen niet in gesloten bakjes en verpakkingen worden opgewarmd, aangezien ze kunnen ontploffen. Bij het verhitten van dranken in de magnetron kunnen deze soms later nog overkoken. Houd hiermee rekening wanneer u de verpakking vastpakt. Om de mogelijkheid van een explosie en overkoken te voorkomen:

Gebruik nooit gesloten bakjes. Verwijder de sluiting en deksels voor gebruik. Gesloten bakjes en dergelijke kunnen zelfs nadat de oven is uitgeschakeld nog ontploffen door de opgebouwde

druk. Let op bij het bereiden van vloeistoffen met de magnetron. Gebruik altijd flessen of verpakkingen met een wijde hals zodat bellen kunnen ontsnappen.

Verhit nooit vloeistoffen in flessen met een dunne hals, zoals baby-zuigflessen, daar de vloeistof plotseling uit de fles zou kunnen spuiten en brandwonden kan veroorzaken.

Om te voorkomen dat kokende vloeistof uit de fles spat:

1. Gebruik niet te veel bereidingstijd.
2. Roer de vloeistof voor het verwarmen/ opwarmen.
3. Het wordt aanbevolen om tijdens het opwarmen een glazen staaf of soortgelijk voorwerp (geen metaal) in de vloeistof te steken.
4. Laat de vloeistof na het koken ten minste 20 seconden in de oven staan om te voorkomen dat de vloeistof later uit de fles spuit.

Verhit nooit hele eieren in hun schaal in de combi-magnetron. Ook hardgekookte eieren moeten niet in combi-magnetrons worden opgewarmd, aangezien ze kunnen ontploffen, zelfs nadat de combi-magnetron is uitgezet. Voor het opwarmen van eieren die niet zijn geklopt, dient u het eigeel en eiwit door te prikken. Pel en snijd hard gekookte eieren in plakjes alvorens deze in de combi-magnetron te verwarmen.

Prik ter voorkomen van het ontploffen van voedsel de schil of het vel van aardappelen, worstjes, fruit en dergelijke door voor het verwarmen.

WAARSCHUWING: De inhoud van babyflesjes en potjes babyvoedsel moet geroerd of geschud worden en de temperatuur moet gecontroleerd worden voor gebruik om brandwonden te voorkomen. Voorkom brandwonden

en gebruik ovenwanten of pannenlappen wanneer u het voedsel uit de oven haalt. Om de mogelijkheid van brandwonden te voorkomen:

- Voorkom brandwonden door hete stoom en overkoken en houd open bakjes, popcornschalen, kookzakken en dergelijk uit de buurt van uw gezicht en handen. Om brandwonden te voorkomen dient u altijd de temperatuur van het voedsel te testen en door te roeren voordat u het serveert. Besteed hierbij speciale aandacht aan de temperatuur van voedsel en dranken voor baby's, kinderen of ouderen. Bereikbare delen kunnen tijdens het gebruik heet worden. Houd jonge kinderen op afstand.
- De temperatuur van de verpakking komt niet overeen met de temperatuur van het voedsel of de vloeistof. Controleer altijd de temperatuur van het voedsel of de vloeistof.
- Blijf altijd op veilige afstand van de oven deur staan wanneer u deze opent, om brandwonden door ontsnappende stoom of hitte te voorkomen.
- Snijd gevulde gebakken etenswaren na het koken om de stoom te laten ontsnappen en brandwonden te voorkomen.
- Houd kinderen uit de buurt van de oven zodat zij zich niet aan een hete oven kunnen branden.

WAARSCHUWING: Laat kinderen vanaf de leeftijd van 8 jaar de oven alleen zonder toezicht gebruiken wanneer zij adequate instructies hebben ontvangen zodat het kind de oven op een veilige manier kan gebruiken en de gevaren van incorrect gebruik begrijpt.

Wanneer het apparaat bediend wordt op de functies GRILL, MIX GRILL, CONVECTIE, MIX CONVECTIE en AUTO MENU, mogen kinderen de combi-magnetron alleen onder toezicht van volwassenen gebruiken vanwege de opgewekte temperaturen.

Dit apparaat is niet bedoeld voor gebruik door personen (inclusief kinderen) met verminderde fysieke, zintuiglijke of verstandelijke vermogens, of gebrek aan ervaring of kennis, tenzij zij onder toezicht of instructies hebben ontvangen over het gebruik van het apparaat door de verantwoordelijke van hun veiligheid.

Houd toezicht op kinderen zodat zij niet met het apparaat kunnen spelen. Kinderen mogen het apparaat onder toezicht reinigen.

Modellen met het elektronische aanraakpaneel beschikken over een kinderslotmodus.

Let op dat kinderen niet aan de deur of oven gaan hangen. De oven is geen speelgoed.

Zorg dat kinderen ook van de veiligheidsmaatregelen op de hoogte zijn: het gebruik van pannelappen, het voorzichtig verwijderen van de afdekking van voedsel; benadruk dat verpakking van bepaalde gerechten (bijvoorbeeld voor het knapperig maken van voedsel) zeer heet kan worden.

Overige waarschuwingen

Breng op geen enkele manier veranderingen aan de oven aan. Verplaats de oven niet terwijl deze in werking is.

Dit apparaat is bedoeld voor huishoudelijk gebruik. Deze oven dient alleen voor het bereiden van voedsel thuis en dient derhalve alleen voor het bereiden van voedsel en dranken te worden gebruikt. Het drogen van voedsel of kleding en het opwarmen van warme kompressen, pantoffels, sponzen, vochtige doeken en dergelijke kan een risico op letsel, ontbranding of brand opleveren. Gebruik de oven niet voor commerciële doeleinden of in een laboratorium.

Voorkomen van problemen of beschadiging.

Gebruik de oven nooit wanneer deze leeg is. Ter voorkoming

van beschadiging van de bodem van de oven door oververhitting dient u bij gebruik van bruiningsschalen of zelfverwarmende materialen altijd een hittebestendig isolatiemateriaal zoals een porseleinen bord onder de schaal of het materiaal te plaatsen. Overschrijd nooit de in de handleiding van het vaatwerk voorgeschreven opwarmtijd.

Gebruik geen metalen voorwerpen. Microgolven reflecteren hier namelijk op waardoor vonken kunnen ontstaan. Plaats geen blikjes in de oven.

Voorkom als volgt dat het draaiplateau of de ovenbodem breekt:

- a) Laat het draaiplateau of de ovenbodem afkoelen alvorens het draaiplateau of de ovenbodem met water te reinigen.
- b) Plaats heet of koud voedsel of hete schalen en dergelijke niet op een koud draaiplateau/koude ovenbodem.
- c) Plaats tijdens gebruik geen voorwerpen op de behuizing van de oven.

OPMERKING:

Gebruik geen plastic verpakkingen bij het opwarmen met de magnetronfunctie indien de oven nog steeds heet is van het gebruik van de combinatiemodus (afhankelijk van het ovenmodel) omdat deze dan kunnen smelten.

Plastic bakjes en verpakkingen kunnen niet met de hierboven genoemde functie worden gebruikt tenzij het bakje of verpakking door de fabrikant als geschikt zijn gemerkt.

Raadpleeg een erkend elektricien indien u twijfels heeft over het aansluiten van uw oven.

Noch de fabrikant noch de dealer zijn aansprakelijk voor schade aan de oven of letsel indien de oven niet op de voorgeschreven, juiste manier is aangesloten.

Condens of vocht kunnen zich mogelijk op de ovenwanden of

rond de deurafdichtingen en pasvlakken vormen. Dit is normaal en duidt niet op een defect of het lekken van microgolven.

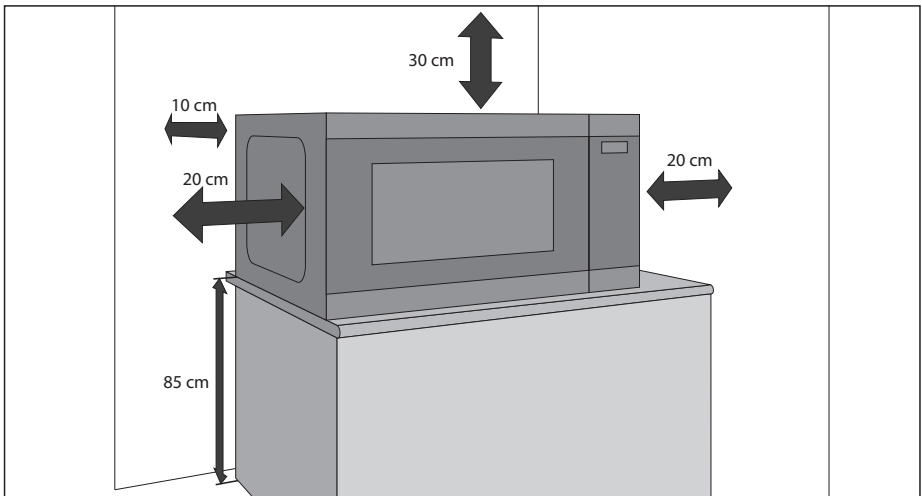
Dit apparaat is bedoeld voor huishoudelijk gebruik en soortgelijke toepassingen. Bijvoorbeeld: kantines gereserveerd voor personeel in winkels, kantoren en andere professionele omgevingen/boerderijen/gebruik door klanten van hotels, motels en andere residentiële omgevingen/bed and breakfasts.



Dit symbool betekent dat oppervlakten door gebruik heet kunnen worden.

INSTALLATIE

1. Verwijder al het verpakkingsmateriaal uit de binnenkant van de oven en verwijder de beschermingslaag van de behuizing van de magnetron.
2. Controleer de oven zorgvuldig op tekenen van beschadiging.
3. Plaats de oven op een veilig, vlak oppervlak, dat sterk genoeg is om het gewicht van de combi-magnetron plus de zwaarst mogelijk te koken artikelen te dragen. Plaats de oven niet in een kast.
4. Kies een vlak oppervlak met genoeg ruimte voor de ventilatieopeningen. Zie de afbeelding op de eerste pagina. De achterkant van het apparaat kan tegen een muur worden geplaatst.
 - De minimale installatiehoogte bedraagt 85 cm.
 - Er dient minimaal 20 cm ruimte over te worden gelaten tussen de zijkanten van de oven en eventuele wanden of voorwerpen.
 - Laat een minimale ruimte van 30 cm boven de oven open.
 - Verwijder de voetjes van de onderkant van de oven niet.
 - Blokkering van de ventilatieopeningen kan de oven beschadigen.
 - Plaats de oven zo ver mogelijk verwijderd van radio's en tv's. Gebruik van de magnetron kan de ontvangst van uw radio of tv verstoren.



5. Steek de stekker van de oven in een standaard geaard stopcontact.

WAARSCHUWING:

Plaats de oven niet op een plek waar hitte of vochtigheid ontstaat (bijvoorbeeld naast of boven een gewone oven) of naast brandbare materialen (bijvoorbeeld gordijnen).

Blokkeer of belemmer de ventilatieopeningen niet.

Plaats geen objecten op de oven.

Raak de buitenkant van de magnetron niet aan terwijl hij in werking is of kort daarna, aangezien die dan warm is.

RADIOSTORING

Het gebruik van de magnetron kan storing op uw radio, televisie of soortgelijke apparatuur veroorzaken. Eventuele storing kan worden verminderd of vermeden door de volgende maatregelen te treffen:

1. Maak de deur en de ovenruimte schoon waar deze elkaar raken.
2. Pas de richting van de ontvangstantenne van uw radio of televisie aan.
3. Zet de magnetron op een andere plaats ten opzichte van de ontvanger.
4. Steek de stekker van de magnetron in een ander stopcontact zodat deze op een ander stroomcircuit aangesloten is dan de ontvanger.

AARDINGSINSTRUCTIES

Dit apparaat moet geaard zijn. Deze oven is voorzien van een snoer met een aardingsdraad en een geaarde stekker. Dit snoer moet aangesloten worden op een stopcontact dat correct is geïnstalleerd en geaard. In geval van kortsluiting vermindert de aarding het risico op een elektrische schok doordat de elektrische stroom via een ontsnapingsdraad wordt afgevoerd. We raden aan om een apart circuit te voorzien dat alleen de oven van stroom voorziet.



WAARSCHUWING: onjuist gebruik van de aardingsstekker kan leiden tot het risico op een elektrische schok.

OPMERKING:

1. Als u vragen hebt over de aarding of de elektrische instructies, raadpleeg dan een gekwalificeerde elektricien of onderhoudsmonteur.
2. Noch de fabrikant noch de dealer zijn aansprakelijk voor schade aan de oven of letsel indien de oven niet op de voorgeschreven manier is aangesloten.

Het netsnoer van uw combi-magnetron heeft de volgende kleurgecodeerde draden:

Groen en geel = AARDE

Blauw = NEUTRAAL

Bruin = SPANNINGVOEREND

SPECIFICATIES

Modelnaam:	YC-PS204A	YC-PS234A	YC-PS254A	YC-PG204A	YC-PG234A	YC-PG254A	YC-PG284A
AC-netspanning	230~240 V, 50 Hz, enkele fase						
Zekering/circuitonderbreker	10 A						
Vermogen:	Magnetron	700 W	900 W	900 W	700 W	900 W	900 W
	Grill				900 W	1000 W	1000 W
	Uitgeschakeld	< 0,5 W					
	Energiespaarstand	> 0,5 W					
	Vereist vermogen wisselstroom	1200 W	1400 W	1400 W	1400 W	1400 W	1400 W
Frequentie van de magnetron	2450 MHz*						
Buitenste afmetingen (B) x (H) x (D) mm	455 x 274 x 334	483 x 281 x 377	483 x 281 x 403	455 x 274 x 345	483 x 281 x 395	483 x 281 x 403	539 x 309 x 441
Afmetingen binnenkant (B) x (H) x (D)** mm	315 x 198 x 297	340 x 220 x 320	340 x 220 x 344	315 x 198 x 297	340 x 220 x 320	340 x 220 x 344	354 x 220 x 358
Overcapaciteit	20 liter**	23 liter**	25 liter**	20 liter**	25 liter**	25 liter**	28 liter**
Diameter draaiplateau	245 mm	270 mm	270 mm	245 mm	270 mm	270 mm	325 mm
Afmetingen grillrooster (B) x (D) mm				190 x 79	80 x 208	80 x 208	89 x 285
Gewicht	ca. 10,5 kg	ca. 12,9 kg	ca. 13,5 kg	ca. 10,9 kg	ca. 13,9 kg	ca. 13,7 kg	ca. 16,6 kg
Ovenlamp (LED)	1,5W						

* - Dit product voldoet aan de vereisten van de Europese norm EN55011.

In overeenstemming met deze norm is dit product geclassificeerd als apparatuur in groep 2 klasse B.

Groep 2 betekent dat er opzettelijk radiofrequentie-energie wordt gegenereerd onder de vorm van elektromagnetische straling om voedingswaren op te warmen en te bereiden.

Klasse B betekent dat dit product geschikt is voor normaal huishoudelijk gebruik.

** - De inhoud wordt berekend door het meten van de maximale breedte, hoogte en diepte van het apparaat. De eigenlijke inhoud voor voedsel is minder.

ALS ONDERDEEL VAN ONS BELEID VAN CONTINUE VERBETERINGEN, BEHOUDEN WIJ HET RECHT OM HET ONTWERP EN DE SPECIFICATIES ZONDER VOORAFGAANDE KENNISGEVING TE WIJZIGEN.

OVEN EN TOEBEHOREN

1. Veiligheidsvergrendelingssysteem voor de deur
2. Ovenvenster
3. Draairing
4. Draaiplateaukoppeling
5. Draaiknop en bedieningsknoppen
6. Afdekplaatje voor golfgeleider (niet verwijderen)
7. Glasplaat
8. Grillrooster voor YC-PG204A, YC-PG234A, YC-PG254A en YC-PG284A
9. Ventilatie-openingen
10. Behuizing
11. Netsnoer

Controleer of de volgende accessoires zijn geleverd:

Alleen grillovens:

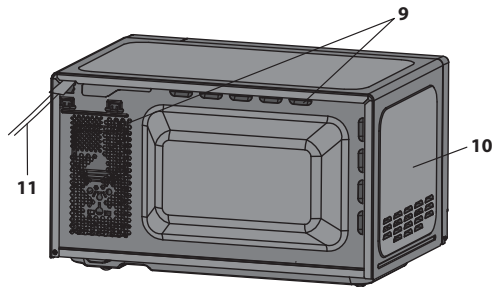
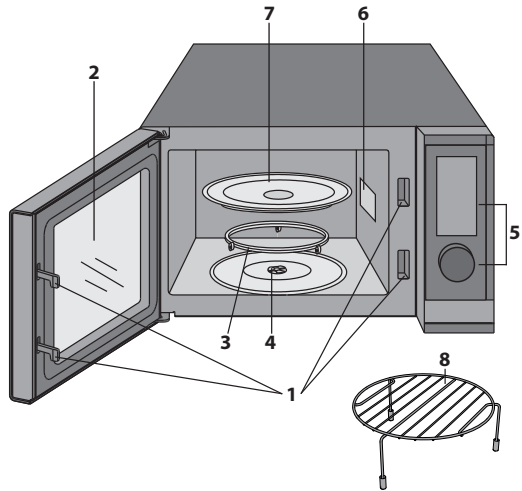
- **Grillrooster** – alleen te gebruiken voor het bereiden van etenswaren met de grillfunctie.
- Het grillrooster is alleen bedoeld voor gebruik met grillovens. Gebruik het grillrooster NIET als u de magnetronfunctie gebruikt.
- Voor gebruik van het grillrooster raadpleegt u de secties over GRILLEN van deze handleiding.

Raak de grill nooit aan wanneer deze heet is.

OPMERKING: vermeld bij het nabestellen van accessoires twee items: de onderdeelnaam en de modelnaam.

OPMERKINGEN:

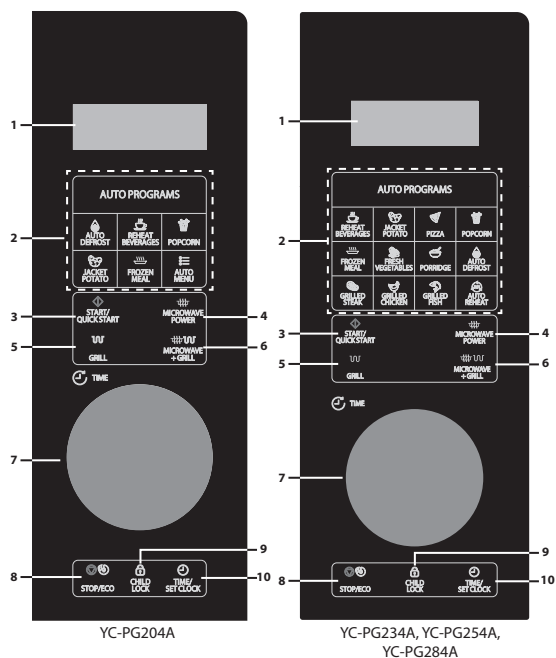
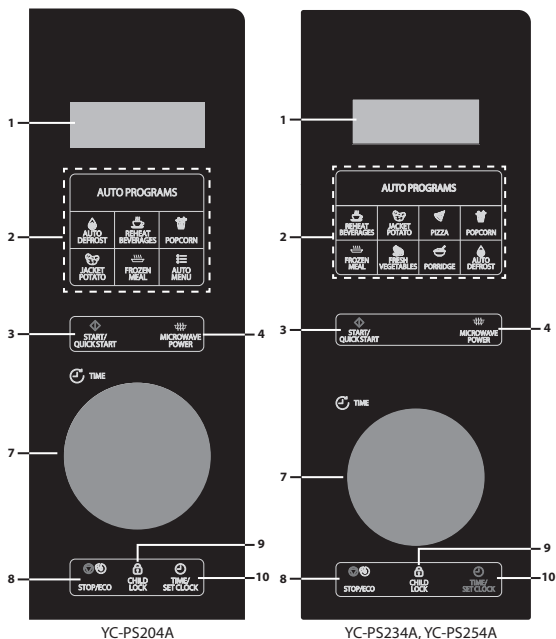
- Maak na het bereiden van vet voedsel zonder deksel altijd de binnenkant van de oven grondig schoon, deze moeten droog en vetvrij zijn. Opgebouwd vet kan gaan roken of vlam vatten.
- Plaats het keukengerei altijd op het draaiplateau als u de magnetron gebruikt.
- Gebruik het grillrooster NOOIT met de magnetronfunctie alleen.



⚠ WAARSCHUWING: ⚠ Dit symbool betekend dat de oppervlakten mogelijk heet worden tijdens het gebruik. De deur, behuizing, ovenruimte, accessoires en vaatwerk zullen erg heet worden tijdens het gebruik. Gebruik altijd dikke ovenwanten om brandwonden te voorkomen.

BEDIENINGSPANEEL

- DIGITALE DISPLAY:** Weergave van bereidingstijd, vermogen, indicaties en kloktijd.
- AUTO MENU-knoppen** - Druk hierop om het Auto Cooking-menu te selecteren. (Zie pagina 19 voor advies over het gebruik).
- START/QUICK START** – (pagina 18).
- MICROWAVE POWER** – Druk hierop om het magnetronvermogen te selecteren. (pagina 17).
- GRILL** – Druk hierop om het bereidingsprogramma voor grillen in te stellen. (Pagina 18).
- MICROWAVE+GRILL** – Druk hierop om het bereidingsprogramma voor de combinatie van magnetron en grill in te stellen. (pagina 18).
- DRAAIKNOP** – Draai deze knop rechtsom of linksom om diverse functies in te stellen.
- STOP/ECO** – Druk eenmaal hierop om de bereiding tijdelijk te onderbreken of tweemaal om de bereiding volledig te annuleren. Stel hiermee de energiespaarstand in. (pagina 23).
- CHILD LOCK** – (pagina 24).
- TIME/SET CLOCK** – Stel hiermee de kloktijd in. Stel hiermee de kookwekkerfunctie in. (pagina 16).



VOOR HET GEBRUIK VAN DE OVEN

Als u de stekker van de oven voor het eerst in het stopcontact steekt, dan klinkt er een pieptoon. Op het display verschijnt "**1:00**". Let op: u hoeft de klok niet in te stellen om de oven correct te laten werken. Om de klok in te stellen, volgt u de instructies in de sectie "**De klok instellen**" van deze handleiding.

Als de grill nieuw is, dan zullen er bij het eerste gebruik rook en geuren vrijkomen. Om te voorkomen dat dit gebeurt wanneer u etenswaren gebruikt, gebruikt u de grillfunctie de eerste keer gedurende ca. 20 minuten zonder etenswaren.

- Na het openen en sluiten van de deur, schakelt de oven in de stand-bymodus. Als u binnen 1 minuut geen knoppen indrukt, dan blijft het display aan en werken de knoppen niet. Om weer in de stand-bymodus te komen, opent en sluit u de deur.
- Als u tijdens de bereiding een keer op de knop **STOP/ECO** drukt, dan wordt de bereidingscyclus gepauzeerd. Om de bereiding te hervatten drukt u op de knop **START/QUICK START**. Als u de knop **STOP/ECO** tweemaal indrukt, dan wordt de bereiding geannuleerd.
- Als u de oven voor een bepaalde functie programmeert en er tussen het indrukken van de knoppen een pauze van meer dan 30 seconden zit, dan schakelt de oven terug naar de stand-bymodus.
- Als een bereidingscyclus is voltooid, dan verschijnt op het display "**End**" en is er om de twee minuten een pieptoon te horen, totdat u op een knop drukt of de deur opent.

DE KLOK INSTELLEN

Deze oven heeft een klok die zowel in 12- als 24-uurs modus kan worden gebruikt. Volg de onderstaande instructies om de klok in te stellen:

1. Houd in de stand-bymodus de knop **TIME/SET CLOCK** minimaal 3 seconden ingedrukt om de klokinstelmodus te openen.
 2. Druk op de knop **TIME/SET CLOCK** om de 12- of 24-uurs modus te selecteren.
 3. Draai aan de draaiknop **DRAAIKNOP** om het uur in te stellen. Druk op de knop **TIME/SET CLOCK** om op te slaan.
 4. Draai aan de draaiknop **DRAAIKNOP** om de minuten in te stellen. Druk op de knop **TIME/SET CLOCK** om de klokinstelling op te slaan en te verlaten.
- U hoeft de klok niet in te stellen voor een normale werking van de oven.
 - Druk in de kookmodus op de knop **TIME/SET CLOCK** om de tijd te zien (indien ingesteld). Na vijf seconden verdwijnt de tijd en komt het aftellen van de bereidingstijd weer op het scherm te staan. Let op: u kunt de tijd niet bekijken als de kookwekker is ingesteld.

VOEDSEL BEREIDEN MET DE MAGNETRON

Om de magnetronfunctie te gebruiken, volgt u de onderstaande instructies:

1. Druk in de stand-bymodus op de knop **MICROWAVE POWER** om het vermogensniveau te kiezen. Telkens als u deze toets indrukt, geeft het display het vermogensniveau van de magnetron aan.
2. Zodra u het gewenste magnetronvermogen hebt gekozen, draait u aan de draaiknop **DRAAIKNOP** om de bereidingstijd te kiezen.
3. Druk op de knop **START/QUICK START** om de bereiding te starten.
4. Als de bereidingscyclus is voltooid, dan verschijnt op het display "**End**" en is er om de twee minuten een pieptoon te horen, totdat u op een knop drukt of de deur opent.

Let op: de onderstaande tabel is slechts een leidraad. Uw oven heeft 10 magnetronvermogensniveaus. Dit zijn 10%, 20%, 30%, 40%, 50%, 60%, 70%, 80%, 90% en 100%. U kunt het daadwerkelijke wattage berekenen door het magnetronvermogen te vermenigvuldigen met het percentage.

TIPS VOOR BEREIDING MET DE MAGNETRON:

Display	Magnetronvermogen	Voorgesteld gebruik
P100	100%	Gebruik deze instelling voor het snel bereiden of opwarmen van stoofschotels, warme dranken, groenten etc.
P-80	80%	Voor compact voedsel dat een lange bereidingstijd nodig heeft wanneer het conventioneel bereid wordt, bijv. rundvleeschotels; deze vermogensinstelling wordt gekozen om er zeker van te zijn dat het vlees mals blijft.
P-60	60%	Gebruik deze instelling voor het langer garen van voedsel met een hoge dichtheid, zoals braadstukken, gehaktbrood en kant-en-klaarmaaltijden, maar ook voor gevoelige gerechten zoals kaassaus en biscuitgebak.
P-40	40%	Instelling voor ontdooien; kies dit vermogensniveau om ervoor te zorgen dat het gerecht gelijkmatig ontdooit. Deze instelling is ook ideaal voor het sudderen van rijst, pasta, dumplings en vla.
P-20	20%	Voor voorzichtige ontdooiing voor bijv. taart of gebak.

- Tijdens de bereiding kunt u het vermogen controleren door op de knop **MICROWAVE POWER** te drukken.
- De langste bereidingstijd is 95 minuten.

SNELSTART

Als u iets op 100% vermogen wilt bereiden, dan drukt u in de stand-bymodus op de knop **START/QUICK START** op de draaiknop **DRAAIKNOP**. Telkens als u de knop **START/QUICK START** indrukt, dan wordt de bereidingstijd met 30 seconden verlengd.

GRILLBEREIDING*

Het verwarmingselement van de grill bovenin de ovenruimte heeft slechts één vermogensstand. Deze is efficiënt en zuinig. De grill is ideaal voor het bereiden van bacon, hamlappen, vissticks en theecakes. Gebruik het grillrooster voor het grillen van kleine gerechten zoals spek en worstjes. Draai de etenswaren halverwege omdraaien. U kunt de etenswaren direct op het rooster plaatsen of de etenswaren in een schaal of op een hittebestendige plaat leggen. Zorg dat er geen vet of olie van het te grillen voedsel druipt door een geschikte schaal onder het grillrooster te plaatsen.

Voor het bruinen en krokant maken van de buitenkant van etenswaren, zoals u in een braadpan doet, kunt u het grillrooster gebruiken als de bak waarin de etenswaren zitten ondiep genoeg is. Het is echter raadzaam om dergelijke bakjes direct op het draaiplateau te plaatsen, zodat deze wat extra tijd krijgen om bruin en krokant te worden. U kunt het grillrooster niet gebruiken om te grillen.

Om de grillfunctie te gebruiken, volgt u de onderstaande instructies:

1. Druk in de stand-bymodus op de knop **GRILL** om de grillfunctie te selecteren. Op het display verschijnt "**Grill**".
2. Draai aan de draaiknop **DRAAIKNOP** om de bereidingstijd te kiezen.
3. Druk op de knop **START/QUICK START** om de bereiding te starten.
4. Als de bereidingscyclus is voltooid, dan verschijnt op het display "**End**" en is er om de 2 minuten een pieptoon te horen, totdat u op een knop drukt of de deur opent.

* - Alleen voor modellen met grill.

MAGNETRON + GRILL*

Door zowel de magnetron- als de grillfunctie te gebruiken, is het mogelijk de etenswaren snel bruin en gaar te krijgen. Om de magnetron- en grillfunctie te gebruiken, volgt u de onderstaande instructies:

1. In de stand-bymodus drukt u één of twee keer op **MICROWAVE + GRILL** om "Co-1" of "Co-2" te selecteren.
2. Draai aan de draaiknop **DRAAIKNOP** om de bereidingstijd te kiezen.
3. Druk op de knop **START/QUICK START** om de bereiding te starten.
4. Als de bereidingscyclus is voltooid, dan verschijnt op het display "**End**" en is er om de twee minuten een pieptoon te horen, totdat u op een knop drukt of de deur opent.

Magnetron- + grillfunctie

Display	Vermogensinstelling	Voorgesteld gebruik
Co-1	70% grill / 30% magnetron.	Stukjes kip, kipfilet, varkenskoteletten
Co-2	56% grill / 44% magnetron.	Hele kip

- De maximale bereidingstijd met de grill is 95 minuten.
- Laat tijdens het grillen rook of geuren ontsnappen door in de keuken een raam open te zetten of de keukentilgaten aan te zetten. Dit is normaal en duidt niet op een defect aan de oven.
- Tijdens de bereiding kunt u het huidige gecombineerde vermogen controleren door op de knop **MICROWAVE + GRILL** te drukken.
- Als u de grillfunctie gebruikt, dan schakelt de grill met regelmatige tussenpozen in en uit om oververhitting te voorkomen.
- Als u de functie **MICROWAVE+GRILL** gebruikt, dan kunt u de etenswaren in een geschikte bak of schaal rechtstreeks op het draaiplateau van de oven of op het daarvoor bestemde grillrooster plaatsen.

WAARSCHUWING: De deur, behuizing, ovenruimte en accessoires worden erg heet tijdens gebruik. Gebruik altijd dikke ovenwanten om brandwonden te voorkomen.

* - Alleen voor modellen met grill.

AUTOMENU

Met de automatische programma's kunt u etenswaren snel en efficiënt bereiden met slechts enkele drukken op de knop. U hoeft niet de de tijdsduur en het vermogen te programmeren. U hoeft alleen maar op de gewenste knop voor automatische bereiding te drukken, het gewicht/aantal stukken in te voeren door aan de draaiknop **DRAAIKNOP** te draaien en vervolgens op de toets **START/QUICK START** te drukken.

Bijvoorbeeld: de bereiding van twee gepofte aardappels.

1. Open de deur en plaats de etenswaren in de oven met ovensgerei dat geschikt is voor de gebruikte bereidingscyclus.
2. Sluit de deur.
3. Druk één keer op de knop **JACKET POTATO**.
4. Draai aan de draaiknop **DRAAIKNOP** om het aantal aardappels in te voeren.
5. Druk op de knop **START/QUICK START**.
6. Als de bereidingscyclus is voltooid, dan verschijnt op het display "**End**" en is er om de twee minuten een pieptoon te horen, totdat u op een knop drukt of de deur opent.

Automatische-bereidingsmenu's:

Automatische programma's	Grootte/gewicht
Diepvriesmaaltijd Automatisch Ontdooien Automatisch opwarmen	Selecteer het gewicht door aan de draaiknop DRAAIKNOP te draaien. Frozen Meal en Auto Reheat (200 tot 800 g), Auto Defrost (100 tot 1800 g)
Reheat Beverages (Dranken opwarmen)	Selecteer het aantal kopjes (200 ml per stuk) door aan draaiknop DRAAIKNOP te draaien. 1 tot 3 kopjes.
Jacket Potato (Gepofte aardappel)	Selecteer het aantal aardappels (230 g elk) door aan de draaiknop DRAAIKNOP te draaien. 1 of 2 aardappels.
Pizza	Selecteer het gewicht van de pizza (150 g/300 g/450 g) door aan de draaiknop DRAAIKNOP te draaien.
Popcorn	Selecteer het aantal popcornverpakkingen (100 g elk) door aan de draaiknop DRAAIKNOP te draaien.
Fresh Vegetables (Verse groente)	Selecteer het gewicht van de groenten (200 tot g 600 g) door aan de draaiknop DRAAIKNOP te draaien.
Porridge (Pap)	Selecteer het gewicht van de pap (gram) door aan draaiknop DRAAIKNOP te draaien. 50 tot 150 gram.
Grilled Steak (Gegrilde steak) (alleen modellen met grill)	Selecteer het gewicht van de steak (200 tot g 600 g) door aan de draaiknop DRAAIKNOP te draaien.
Grilled Chicken (Gegrilde kip) (alleen modellen met grill)	Selecteer het gewicht van de kip (200 tot g 600 g) door aan de draaiknop DRAAIKNOP te draaien.
Grilled Fish (Gegrilde vis) (alleen modellen met grill)	Selecteer het gewicht van de vis (200 tot g 600 g) door aan de draaiknop DRAAIKNOP te draaien.

- Het resultaat van de automatisch bereiding hangt af van factoren zoals de vorm en grootte van het voedsel, uw persoonlijke voorkeur voor de gaarheid van bepaalde etenswaren en zelfs hoe u het voedsel in de oven plaatst. Als het resultaat niet helemaal naar wens is, pas dan de bereidingstijd aan.

Opmerking: De Auto Menu-knop wordt alleen gebruikt op de modellen YC-PG204A en YC-PS204A. Telkens als u de Auto Menu-knop indrukt, toont het display het automatische programma zoals in de tabel hierboven. Als u het gewenste Auto Menu hebt gevonden, draai dan aan de draaiknop **DRAAIKNOP** om het gewicht van het te bereiden voedsel te kiezen.

Details automatisch programma

Voedsel	Hoeveelheid	Starttemperatuur	Bereidingstechnieken
Reheat Beverages	1 tot 3 kopjes 1 kopje = 200 ml	Omgevings-temp.	<ol style="list-style-type: none"> Plaats de te verwarmen drank in het midden van het glazen draaiplatform van de magnetron Sluit de deur, druk op de knop REHEAT BEVERAGES en selecteer het aantal bekers door aan de JOG DIAL te draaien. Druk op de knop START/QUICK START om het opwarmen te starten. Wanneer de timer stopt, pakt u de drank/de dranken eruit. Wees voorzichtig, want uw drank zal heet zijn.
Gepofte aardappel	1 tot 2 aardappels 1 aardappel = ong. 230 + 10 g	Omgevings-temp.	<ol style="list-style-type: none"> Was de aardappel(s) en droog deze af. Prik een paar keer met een vork in de aardappel(s). Plaats de aardappel(s) in het midden van het glazen draaiplatform van de magnetron Sluit de deur, druk op de knop JACKET POTATÓ en selecteer het aantal aardappels door aan de JOG DIAL te draaien. Druk op de knop START/QUICK START om het opwarmen te starten. Wanneer de timer stopt, pakt u de aardappel(s) eruit. Wees voorzichtig, want het eten zal heet zijn.
Pizza	150 tot 450 g	Bevroren -18 °C	<ol style="list-style-type: none"> Leg de pizza op een magnetronbestendig bord in het midden van het glazen draaiplatform. Sluit de deur, druk op de knop PIZZA en selecteer het gewicht door aan de JOG DIAL te draaien. Druk op de knop START/QUICK START om het opwarmen te starten. Wanneer de timer stopt, pakt u de pizza eruit. Wees voorzichtig, want het eten zal heet zijn.
Popcorn	100 g	Omgevings-temp.	<ol style="list-style-type: none"> Leg de popcorn in het midden van het glazen draaiplatform van de magnetron Sluit de deur en druk op de knop POPCORN. Druk op de knop START/QUICK START om het opwarmen te starten. Wanneer de timer stopt, pakt u de popcorn eruit. Wees voorzichtig, want de popcorn zal heet zijn.
Diepvriesmaaltijd	200 tot 800 g	Bevroren -18 °C	<ol style="list-style-type: none"> Leg de diepvriesmaaltijd op een magnetronbestendig bord en dek dit af met plasticfolie. Prik gaatjes in het plastic. Plaats het bord in het midden van het glazen draaiplatform van de magnetron Sluit de deur, druk op de knop FROZEN MEAL en selecteer het gewicht door aan de JOG DIAL te draaien. Druk op de knop START/QUICK START om het opwarmen te starten. Wanneer de timer stopt, pakt u het bord eruit en zet u het op tafel. Wees voorzichtig, want de popcorn zal heet zijn.
Verse groente	200 tot 600 g	Omgevings-temp.	<ol style="list-style-type: none"> Snijd groenten in kleine stukjes van 25-30 mm lang en 10 mm dik en was deze. Doe de stukjes groente in een magnetronbestendige kom en dek deze af met plasticfolie. Prik gaatjes in het plastic. Plaats de kom in het midden van het glazen draaiplatform van de magnetron Sluit de deur, druk op de knop FRESH VEGETABLES en selecteer het gewicht door aan de JOG DIAL te draaien. Druk op de knop START/QUICK START om het opwarmen te starten. Wanneer de timer stopt, pakt u het bord eruit en zet u het op tafel. Wees voorzichtig, want de groenten zullen heet zijn.
Pap	50 tot 150 g	Omgevings-temp.	<ol style="list-style-type: none"> Meng de havermoutpap en de melk in een kom. Suggestie: 180 ml melk per 50 g havermout. Plaats de kom in het midden van het glazen draaiplatform. Sluit de deur, druk op de knop PORRIDGE en selecteer het gewicht door aan de JOG DIAL te draaien. Druk op de knop START/QUICK START om het opwarmen te starten. Wanneer de timer is gestopt, haalt u de kom eruit en zet u deze op tafel.
Automatisch opwarmen	200 tot 800 g	Gekoeld 5 °C	<ol style="list-style-type: none"> Doe de koude rijst of pasta in een magnetronbestendige kom en dek deze af met plasticfolie. Prik gaatjes in het plastic. Plaats de kom in het midden van het glazen draaiplatform van de magnetron. Sluit de deur, druk op de knop AUTO REHEAT en selecteer het gewicht door aan de JOG DIAL te draaien. Druk op de knop START/QUICK START om het opwarmen te starten. Wanneer de timer is gestopt, haalt u de kom eruit en zet u deze op tafel.
Gegrilde steak	200 tot 600 g	Omgevings-temp.	<ol style="list-style-type: none"> Verdeel de biefstuk gelijkmatig over het met vetvrij papier beklede grillrooster. Plaats het grillrooster in het midden van het glazen draaiplatform van de magnetron. Sluit de deur, druk op de knop GRILLED STEAK en selecteer het gewicht door aan de JOG DIAL te draaien. Druk op de knop START/QUICK START om het opwarmen te starten. Nadat tweedevan de bereidingstijd is verstreken, open u de deur om de steak om te draaien. Sluit dan de deur en hervat de bereiding. Wanneer de timer stopt, pakt u de steak eruit. Wees voorzichtig, want de steak zal heet zijn.
Gegrilde kipstukjes	200 tot 600 g	Omgevings-temp.	<ol style="list-style-type: none"> Verdeel de kipstukjes gelijkmatig over het met vetvrij papier beklede grillrooster. Plaats het grillrooster in het midden van het glazen draaiplatform van de magnetron. Sluit de deur, druk op de knop GRILLED CHICKEN en selecteer het gewicht door aan de JOG DIAL te draaien. Druk op de knop START/QUICK START om het opwarmen te starten. Nadat tweedevan de bereidingstijd is verstreken, open u de deur om de kipstukjes om te draaien. Sluit dan de deur en hervat de bereiding. Wanneer de timer stopt, haalt u de kipstukjes eruit. Wees voorzichtig, want de kipstukjes zullen heet zijn.
Gegrilde visstukjes	100 tot 500 g	Omgevings-temp.	<ol style="list-style-type: none"> Verdeel de visstukjes gelijkmatig over het met vetvrij papier beklede grillrooster. Plaats het grillrooster in het midden van het glazen draaiplatform van de magnetron. Sluit de deur, druk op de knop GRILLED FISH en selecteer het gewicht door aan de JOG DIAL te draaien. Druk op de knop START/QUICK START om het opwarmen te starten. Nadat tweedevan de bereidingstijd is verstreken, open u de deur om de visstukjes om te draaien. Sluit dan de deur en hervat de bereiding. Wanneer de timer stopt, haalt u de visstukjes eruit. Wees voorzichtig, want de visstukjes zullen heet zijn.

Notitie	Gebruikte ovenmodus en bereidingsmethode	YC-PS204A	YC-PS234A en YC-PS254A	YC-PG204A	YC-PG234A, YC-PG254A en YC-PG284A
	Magnetron alleen op 100%	1 beker - 1 minuut en 40 seconden 2 bekens: 2 minuten 3 bekens: 4 minuten en 20 seconden	1 beker - 1 minuut en 30 seconden 2 bekens: 2 minuten en 40 seconden 3 bekens: 3 minuten en 50 seconden	1 beker - 1 minuut en 40 seconden 2 bekens: 3 minuten 3 bekens: 4 minuten en 20 seconden	1 beker - 1 minuut en 30 seconden 2 bekens: 2 minuten en 40 seconden 3 bekens: 3 minuten en 50 seconden
	Magnetron alleen op 100%	1 aardappel - 6 minuten 2 aardappels: 9 minuten 3 aardappels: 13 minuten	1 aardappel - 5 minuten 2 aardappels: 8 minuten 3 aardappels: 12 minuten	1 aardappel - 6 minuten 2 aardappels: 9 minuten 3 aardappels: 13 minuten	1 aardappel - 5 minuten 2 aardappels: 8 minuten 3 aardappels: 12 minuten
Bij de YC-PS204A en YC-PG204A moet u op de knop AUTO MENU drukken totdat het programma verschijnt.	Magnetron alleen op 100%	150 g - 1 minuut 300 g: 1 minuut en 30 seconden 450 g: 2 minuten	150 g - 50 seconden 300 g: 1 minuut en 20 seconden 450 g: 1 minuut en 50 seconden	150 g - 1 minuut 300 g: 1 minuut en 30 seconden 450 g: 2 minuten	150 g - 50 seconden 300 g: 1 minuut en 20 seconden 450 g: 1 minuut en 50 seconden
	Magnetron alleen op 100%	100 g: 3 minuten	100 g: 2 minuten	100 g: 3 minuten	100 g: 2 minuten en 30 seconden
	Magnetron op 100% voor de helft van de tijd, dan 0% voor 1/6e van de tijd en tenslotte weer 100% voor 1/3 van de tijd	200 g: 8 minuten 400 g: 11 minuten 600 g: 15 minuten 800 g: 18 minuten	200 g: 6 minuten 400 g: 9 minuten 600 g: 13 minuten 800 g: 16 minuten	200 g: 8 minuten 400 g: 11 minuten 600 g: 15 minuten 800 g: 18 minuten	200 g: 6 minuten 400 g: 9 minuten 600 g: 13 minuten 800 g: 16 minuten
Bij de YC-PS204A en YC-PG204A moet u op de knop AUTO MENU drukken totdat het programma verschijnt.	Magnetron alleen op 100%	200 g: 3 minuten en 30 seconden 300 g: 4 minuten en 30 seconden 400 g: 5 minuten en 30 seconden 500 g: 6 minuten en 30 seconden 600 g: 7 minuten en 30 seconden	200 g: 3 minuten 300 g: 4 minuten 400 g: 5 minuten 500 g: 6 minuten 600 g: 7 minuten	200 g: 3 minuten en 30 seconden 300 g: 4 minuten en 30 seconden 400 g: 5 minuten en 30 seconden 500 g: 6 minuten en 30 seconden 600 g: 7 minuten en 30 seconden	200 g: 3 minuten 300 g: 4 minuten 400 g: 5 minuten 500 g: 6 minuten 600 g: 7 minuten
Bij de YC-PS204A en YC-PG204A moet u op de knop AUTO MENU drukken totdat het programma verschijnt.	Magnetron - 100%	50 g: 2 minuten 100 g: 3 minuten en 30 seconden 150 g: 5 minuten en 30 seconden	50 g: 2 minuten 100 g: 3 minuten en 30 seconden 150 g: 5 minuten en 30 seconden	50 g: 2 minuten 100 g: 3 minuten en 30 seconden 150 g: 5 minuten en 30 seconden	50 g: 2 minuten 100 g: 3 minuten en 30 seconden 150 g: 5 minuten en 30 seconden
Bij de YC-PG204A moet u op de knop AUTO MENU drukken totdat het programma verschijnt.	Magnetron alleen op 100%	200 g: 2 minuten 300 g: 2 minuten en 40 seconden 400 g: 3 minuten en 20 seconden 500 g: 4 minuten 600 g: 4 minuten en 40 seconden 700 g: 5 minuten en 20 seconden 800 g: 6 minuten	200 g: 1 minuut en 30 seconden 300 g: 2 minuten 400 g: 2 minuten en 20 seconden 500 g: 3 minuten 600 g: 3 minuten en 30 seconden 700 g: 4 minuten 800 g: 4 minuten en 30 seconden	200 g: 2 minuten 300 g: 2 minuten en 40 seconden 400 g: 3 minuten en 20 seconden 500 g: 4 minuten 600 g: 4 minuten en 40 seconden 700 g: 5 minuten en 20 seconden 800 g: 6 minuten	200 g: 1 minuut en 30 seconden 300 g: 2 minuten 400 g: 2 minuten en 30 seconden 500 g: 3 minuten 600 g: 3 minuten en 30 seconden 700 g: 4 minuten 800 g: 4 minuten en 30 seconden
Bij de YC-PG204A moet u op de knop AUTO MENU drukken totdat het programma verschijnt.	De magnetron werkt 10 seconden op 100%, daarna schakelt de grill 23 seconden in. Deze cyclus herhaalt zich tot het einde van de bereidingstijd. De magnetron en grill zijn nooit gelijktijdig ingeschakeld.	N.v.t.	N.v.t.	200 g: 15 minuten 300 g: 18 minuten 400 g: 21 minuten 500 g: 24 minuten 600 g: 27 minuten	200 g: 15 minuten 300 g: 18 minuten 400 g: 21 minuten 500 g: 24 minuten 600 g: 27 minuten
Bij de YC-PG204A moet u op de knop AUTO MENU drukken totdat het programma verschijnt.	De magnetron werkt 10 seconden op 100%, daarna schakelt de grill 23 seconden in. Deze cyclus herhaalt zich tot het einde van de bereidingstijd. De magnetron en grill zijn nooit gelijktijdig ingeschakeld.	N.v.t.	N.v.t.	200 g: 15 minuten 300 g: 18 minuten 400 g: 21 minuten 500 g: 24 minuten 600 g: 27 minuten	200 g: 15 minuten 300 g: 18 minuten 400 g: 21 minuten 500 g: 24 minuten 600 g: 27 minuten
Bij de YC-PG204A moet u op de knop AUTO MENU drukken totdat het programma verschijnt.	De magnetron werkt 10 seconden op 100%, daarna schakelt de grill 23 seconden in. Deze cyclus herhaalt zich tot het einde van de bereidingstijd. De magnetron en grill zijn nooit gelijktijdig ingeschakeld.	N.v.t.	N.v.t.	100 g: 12 minuten 200 g: 15 minuten 300 g: 18 minuten 400 g: 21 minuten 500 g: 24 minuten	100 g: 12 minuten 200 g: 15 minuten 300 g: 18 minuten 400 g: 21 minuten 500 g: 24 minuten

AUTOMATISCH ONTDOOIEN

Met Auto Defrost kunt u etenswaren aan de hand van het gewicht ontdooien. De ontdooitijd en het vermogen worden automatisch ingesteld zodra u de levensmiddelen categorie en het gewicht hebt geprogrammeerd. Het gewicht van de ingevroren etenswaren varieert van 100 g tot 1800 g.

1. Druk in de stand-by modus op de knop **AUTO DEFROST**.
2. Draai aan de draaiknop **DRAAIKNOP** om het gewicht van de te ontdooien etenswaren te kiezen.
3. Druk op de **START/QUICK START**-toets om de ontdooicyclus te beginnen.
4. Als de oven tijdens de ontdooicyclus stopt, draai de etenswaren dan om voor een gelijkmatige ontdooiing. Druk vervolgens op de knop **START/QUICK START** om gedurende de resterende tijd te ontdooien.
5. Als de ontdooicyclus is voltooid, dan verschijnt op het display "End" en is er om de 2 minuten een pieptoon te horen, totdat u op een knop drukt of de deur opent.

Auto Defrost - Bediening

Model	Gewichtsbereik	Tijdsbereik ontdooien	Ontdooiproces	Methode
YC-PG204A	100 tot 1800 g	5 minuten en 30 seconden tot 39 minuten en 30 seconden	Magnetron op 40% gedurende 1/3 van de tijd, dan op 20% gedurende de volgende 1/3 van de tijd. Als u de etenswaren omdraait, dan worden deze gedurende de resterende tijd op 20% ontdooid.	1. Leg het bevroren eten op een magnetronbestendig bord en dek dit af met plasticfolie. Prik gaatjes in het plastic. 2. Plaats het bord in het midden van het glazen draaiplateau van de magnetron 3. Sluit de deur, druk op de knop AUTO DEFROST en selecteer het gewicht door aan de JOG DIAL te draaien.
YC-PG204A	100 tot 1800 g	5 tot 39 minuten	Magnetron op 20% gedurende de helft van de tijd, vraag om etenswaren om te draaien. 20% vermogen voor de resterende tijd.	4. Druk op de knop START/QUICK START om het ontdooien te starten. 5. Halverwege de ontdooicyclus stopt de oven, zodat u het eten kunt omdraaien.
YC-PS234A en YC-PG234A	100 tot 1800 g	5 minuten en 30 seconden tot 39 minuten en 30 seconden	Magnetron op 30% gedurende 1/3 van de tijd, dan op 20% gedurende de volgende 1/3 van de tijd. Als u de etenswaren omdraait, dan worden deze gedurende de resterende tijd op 20% ontdooid.	6. Open de deur en draai het eten om. Sluit de deur. 7. Druk op de knop START/QUICK START om het ontdooien te hervatten. 8. Wanneer de timer stopt, haalt u het eten eruit. Controleer of het eten goed ontdooid is.
YC-PS254A, YC-PG254A en YC-PG284A	100 tot 1800 g	3 tot 37 minuten		

AUTOMATISCH OPWARMEN*

Met Auto Reheat kunt u etenswaren aan de hand van het ingestelde gewicht ontdooien. De opwarmtijd en het vermogen worden automatisch ingesteld zodra u de levensmiddelen categorie en het gewicht hebt geprogrammeerd. Het opwarmgewicht varieert van 100 g tot 800 g.

1. Druk in de stand-by modus op de knop **AUTO REHEAT**.
2. Draai aan de draaiknop **DRAAIKNOP** om het gewicht van de op te warmen etenswaren te kiezen.
3. Druk op de knop **START/QUICK START**.
4. Als de bereidingscyclus is voltooid, dan verschijnt op het display "End" en is er om de twee minuten een pieptoon te horen, totdat u op een knop drukt of de deur opent.

* - Alleen voor modellen met grill.

KOOKWEKKER

De oven is uitgerust met een kookwekker die vanaf de ingestelde tijd aftelt.

1. Druk in de stand-bymodus één keer op de knop **TIME/SET CLOCK**.
2. Draai aan de draaiknop **DRAAIKNOP** om de gewenste tijd in te stellen. De maximale tijd is 95 minuten.
3. Druk ter bevestiging op de knop **START/QUICK START**.
4. De display telt de ingestelde tijd af.
5. Als de tijd op het display nul bereikt, dan klinkt er een pieptoon.

Het is ook mogelijk om de kookwekker te gebruiken terwijl het apparaat in de bereidingsmodus staat. Volg hiervoor de bovenstaande stappen terwijl uw etenswaren bereid worden. Zodra de kookwekker geactiveerd is, verschijnt deze gedurende vijf seconden op het display. Daarna keert het display terug naar de afteltimer voor de bereidingscyclus. Om de timer nog eens te bekijken, drukt u op de knop **TIME/SET CLOCK**. De kookwekker verschijnt dan gedurende vijf seconden op het display. Vervolgens verschijnt de afteltimer voor de bereidingscyclus weer.

- Om het **TIMER**-programma te annuleren, drukt u op de knop **STOP/ECO**. Op het display verschijnt de tijd.
- Als u een bereidingscyclus hebt gestart, dan is het mogelijk om de kookwekker te starten aan de hand van de bovenstaande de stappen.

ENERGIESPAARSTAND

Met deze functie kunt u stroom besparen als de oven niet in gebruik is. Om deze functie te activeren in de stand-bymodus, houdt u de knop **STOP/ECO** gedurende 3 seconden ingedrukt. Het display gaat uit en de oven schakelt over naar de energiespaarstand.

Om de energiespaarstand te annuleren, drukt u op een willekeurige knop of opent en sluit u de oven deur.

MUTE-FUNCTIE

Het is mogelijk de tonen van de magnetron uit te schakelen met de mute-functie. Om de mute-functie in te stellen, drukt u op knop **CHILD LOCK**. Op het display verschijnt dan gedurende 5 seconden de melding "**oFF**". In de gedempte modus klinken er geen geluid als u op de knoppen drukt.

Om de mute-functie uit te schakelen, drukt u eenmaal op de **CHILD LOCK**-knop, het display zal 5 seconden "**on**" weergeven om aan te geven dat het geluid weer is ingeschakeld.

Als u de mute-functie hebt ingesteld en de oven loskoppelt van de netvoeding, dan wordt de mute-functie geannuleerd als u de oven weer aansluit op de netvoeding.

VEILIGHEIDSVERGRENDELINGSSYSTEEM

Dit is een automatische functie die u kunt gebruiken om onbegeleid gebruik door kleine kinderen te voorkomen. Als er in de stand-bymodus gedurende één minuut niets bediend wordt, dan schakelt de oven automatisch over naar de veiligheidsvergrendelingsmodus. Op het display verschijnt dan de melding "**Loc**". In de vergrendelde modus zijn alle knoppen uitgeschakeld. Als u op een willekeurige knop drukt, dan verschijnt de vergrendelingsindicatie gedurende 5 seconden op het display om u eraan te herinneren om de veiligheidsvergrendeling te annuleren.

Om de veiligheidsvergrendeling uit te schakelen, opent en sluit u gewoon de deur van de magnetron. Het toetsenblok wordt opnieuw geactiveerd en het indicatielampje voor de vergrendeling dooft.

KINDERSLOT

Om het KINDERSLOT in te stellen, houdt u de knop **CHILD LOCK** gedurende 3 seconden ingedrukt. U hoort dan een lange pieptoon en op het display verschijnt de melding "**Loc!**". De oven staat nu in de KINDERSLOT-modus. In deze modus toont het display de klok. Als u een knop indrukt of de deur opent, dan verschijnt de melding "**Loc**" gedurende 5 seconden op het display.

Om het KINDERSLOT te annuleren, houdt u de knop **CHILD LOCK** gedurende 3 seconden ingedrukt totdat u een lange pieptoon hoort.

REINIGING EN ZORG

- Schakel de oven uit en trek de stekker uit het stopcontact wanneer u hem gaat reinigen.
- Houd de binnenkant van de oven schoon. Wanneer opgespat voedsel of gemorst vloeistoffen aan de zijkant, bovenkant of bodem van de ovenruimte is blijven plakken, veegt u die af met een vochtige doek. Als de oven erg vuil wordt, kunnen milde schoonmaakmiddelen worden gebruikt. Gebruik geen spray of andere agressieve reinigingsmiddelen. Die kunnen vlekken, strepen of een doffe aanslag achterlaten op het oppervlak van de deur.
- De buitenkant van de oven dient te worden gereinigd met een vochtige doek. Om schade aan de werkende delen binnen in de oven te voorkomen mag er geen water in de ventilatieopeningen binnensijpelen.
- Veeg de deur en het venster, de deurafdichtingen of aangrenzende delen regelmatig schoon met een vochtige doek om alle spatten of gemorst voedsel te verwijderen.
- Gebruik geen schuurmiddelen.
- Niet met stoom reinigen.
- Laat het bedieningspaneel niet nat worden. Veeg het schoon met een zachte, vochtige doek. Laat de deur open wanneer u het bedieningspaneel schoonmaakt om te vermijden dat u de oven per ongeluk inschakelt.
- Als er zich stoom verzamelt aan de binnenkant of rond de buitenkant van de oven, veeg die dan schoon met een vochtige doek. Dit is mogelijk wanneer de magnetron wordt gebruikt onder vochtige omstandigheden. Dit is geen defect.
- Het draaiplateau, de steun van het draaiplateau en de draaiplateaukoppeling moeten regelmatig worden gereinigd om te vermijden dat hij vuil wordt of dat vonken/schade ontstaan. Veeg deze onderdelen af met een mild reinigingsmiddel.
- Om geurtjes uit uw oven te verwijderen, doet u een kopje water en het sap en de schil van één citroen in een magnetronbestendige kom. Verhit die 5 minuten met de magnetronfunctie. Veeg de magnetron grondig schoon en droog hem af met een zachte doek.
- Neem contact op met de klantendienst voor advies als de lamp defect raakt.
- De oven dient regelmatig te worden gereinigd en eventuele voedselresten dienen te worden verwijderd. Indien de oven niet schoon wordt gehouden, kan dit leiden tot aantasting van het oppervlak. Dit kan dan weer leiden tot een verkorte levensduur van het apparaat en mogelijk tot gevaarlijke situaties.
- Gooi dit apparaat niet met het gewone huisvuil. Raadpleeg het advies van uw land over de verwijdering van dit soort producten.

GESCHIKTE SCHALEN

1. Het ideale materiaal voor magnetrongerei laat microgolven door, laat de energie door het bakje gaan en verwarmt het voedsel.
2. Microgolven dringen niet door metaal, dus gebruik geen metalen keukengerei of borden met metalen randen.
3. Gebruik geen gerecyclede papierproducten voor het bereiden van etenswaren in de magnetron. Deze producten kunnen kleine metalen fragmenten bevatten die vonken en/of brand kunnen veroorzaken.
4. We raden ronde/ovale borden aan boven vierkante/langwerpige borden, omdat de etenswaren in de hoeken vaak overgaar worden.
5. U kunt smalle reepjes aluminiumfolie gebruiken om te voorkomen dat de blootgestelde delen te gaar worden. Let op: gebruik niet te veel folie en houd een afstand van 2,54 cm tussen de folie en de ovenruimte aan

De onderstaande lijst is een algemene leidraad om u te helpen het juiste keukengerei te kiezen.

Koekgerei	Magnetron Veilig	Grill	Opmerking
Bruiningsschalen	✓ / ✗	✗	Volg altijd de instructies van de fabrikant op. Overschrijd de opgegeven verwarmingstijden niet. Wees zeer voorzichtig omdat deze schalen heel heet worden.
Porselein en keramiek	✓ / ✗	✗	Porselein, aardewerk en beenderporselein zijn normaal gesproken geschikt, behalve als deze metalen decoratie hebben.
Hittebestendig glas	✓	✓	Zorg dat u over glazen keukengerei beschikt dat geschikt is voor gebruik in een combi-magnetron.
Niet-hittebestendig Glas	✗	✗	
Hittebestendig keramiek	✓	✓	Zorg ervoor dat het keramisch materiaal niet te dik is of een hoog gehalte aan mineralen bevat.
Magnetronveilig plastic bord	✓	✗	Controleer altijd of het plastic keukengerei geschikt is voor gebruik in een combi-magnetron.
Keukenpapier	✓ / ✗	✗	Gebruik alleen keukenpapier dat wordt aanbevolen voor gebruik in combi-magnetrons.
Glasservies bijv. Pyrex®	✓ / ✗	✓	Ga zorgvuldig om met fijn glaswerk omdat dit kan breken of barsten bij plotselinge temperatuurverschillen.
Metalen ovenschaal	✗	✓	Metalen kookgerei wordt niet aanbevolen omdat dit gaat vonken, wat tot brand kan leiden.
Metalen rek	✗	✓	Metalen kookgerei wordt niet aanbevolen omdat dit gaat vonken, wat tot brand kan leiden.
Aluminiumfolie Aluminium verpakkingen	✓ / ✗	✓	Kleine stukken aluminiumfolie kunnen worden gebruikt om voedsel tegen oververhitting te beschermen. Houd de folie tenminste 2,54 cm van de ovenwanden, omdat het anders kan gaan vonken. Verpakkingen, bakjes en schalen van aluminium worden niet aanbevolen tenzij anders aangegeven door de fabrikant, bijv. Microfoil®; volg de instructies zorgvuldig op.
Vershoudfolie	✓	✗	Het mag het voedsel niet raken en moet doorgeprikt zijn om de stoom te laten ontsnappen.
Plastic/polystyreen bijv. fastfood-bakjes	✓	✗	Ga hier zorgvuldig mee om omdat sommige bakjes vervormen, smelten of verkleuren bij hoge temperaturen.
Diepvries/braadzakken	✓	✗	Moeten zijn doorgeprikt om de stoom te laten ontsnappen. Controleer of de zakken geschikt zijn voor gebruik in de magnetron.
Papieren borden, bekens en keukenrolpapier	✓	✗	Gebruik geen plastic of metalen bevestigingen, omdat deze kunnen smelten of vlam kunnen vatten door de vonken van het metaal.
Bakjes van riet of hout	✓	✗	Gebruik deze alleen voor opwarmen of om vocht te absorberen. Voorzichtigheid is geboden omdat door oververhitting brand kan ontstaan.
Gerecyclede papier en krantenpapier	✗	✗	Blijf altijd bij de oven wanneer deze materialen worden gebruikt omdat oververhitting brand kan veroorzaken. Kan stukjes metaal bevatten die vonken veroorzaken en kunnen leiden tot brand.



WAARSCHUWING: Bij het verwarmen van eten in plastic of papieren bakjes dient u in de gaten te houden dat de bakjes geen vlam vatten.

OPMERKING: Laat uw oven niet onbewaakt achter terwijl deze in werking is.

TIPS VOOR KOKEN MET DE MAGNETRON

Met een magnetron bereidt u etenswaren sneller dan door deze op de conventionele manier te koken. Het is daarom van essentieel belang dat bepaalde technieken worden gevolgd om goede resultaten te garanderen. Veel van de volgende technieken zijn vergelijkbaar met de technieken die in de conventionele keuken worden gebruikt.



WAARSCHUWING: Vloeistoffen en etenswaren mogen niet worden opgewarmd in gesloten bakjes of potjes/bakjes met een deksel. Binnen in het bakje/potje stijgt de druk, waardoor het bakje/potje kan exploderen.

KOOKADVIEZEN:

- Blijf altijd bij de oven als deze in gebruik is.
- Zorg ervoor dat het keukengerei geschikt is voor gebruik in een magnetronoven.
- Gebruik alleen magnetronpopcorn in de aanbevolen verpakking (volg de instructies van de fabrikant op). Gebruik nooit olie, tenzij dit is aangegeven door de fabrikant, en bereid de popcorn nooit langer dan in de instructies vermeld staat.



WAARSCHUWING: Als u de aanbevolen kooktijden overschrijdt en te hoge vermogensniveaus gebruikt, kan voedsel te warm worden of aanbranden. In extreme gevallen kan het voedsel in brand vliegen en de oven beschadigen.

Verdeling

Plaats de dikste etenswaren aan de buitenkant van de schaal, bijv. kippenboutjes.

Etenswaren die aan de buitenkant van de schaal geplaatst worden, krijgen meer energie en zijn dus sneller gaar dan de etenswaren in het midden.

Afdekken

Bepaalde etenswaren kunnen beter afgedekt worden tijdens de bereiding in de magnetron.

Gebruik vershoud- of magnetronfolie of een geschikt deksel met (een) ventilatieopening(en).

Gaatjes prikken

In etenswaren met een schaal, huid of membraan moeten voor het koken of opwarmen op meerdere plaatsen gaatjes worden geprikt, omdat de stoom zich anders ophoopt. Dit kan ertoe leiden dat de etenswaren exploderen, bijv. aardappelen, vis, kip, worstjes.

OPMERKING: Eieren mogen niet worden opgewarmd in de magnetron. Ze kunnen ontploffen, zelfs nadat de bereiding voltooid is, dus ook al zijn ze bijvoorbeeld gepocheerd, gebakken of hardgekookt.

Roeren, omdraaien en opnieuw verdelen

Voor een gelijkmatige bereiding is het essentieel om tijdens het koken de etenswaren om te roeren, deze om te draaien en om deze opnieuw te verdelen. Werk altijd vanuit de buitenkant naar het midden toe bij het roeren en opnieuw verdelen.

Wachten

Wachtijd na bereiding is belangrijk, omdat het ervoor zorgt dat de warmte gelijkmatig door het voedsel wordt verspreid.

Kenmerken van etenswaren	
Compositie	Voedingsmiddelen met een hoog vet- of suikergehalte (bijv. kerstpudding, gehaktbroodjes) hebben minder opwarmtijd nodig. Wees voorzichtig, want oververhitting kan tot brand leiden. Botten in etenswaren geleiden warmte, waardoor het voedsel sneller gaar wordt. Let erop dat het voedsel gelijkmatig wordt gekookt.
Dichtheid	De dichtheid van etenswaren is van invloed op de benodigde kooktijd. Lichte, poreuze etenswaren, zoals gebak of brood, kookt sneller dan zware, dichte etenswaren, zoals gebraad en ovenschotels.
Hoeveelheid	Het aantal microgolven in uw oven blijft gelijk, ongeacht de hoeveelheid etenswaren die gekookt wordt. De kooktijd moet worden verlengd naarmate de hoeveelheid etenswaren in de oven toeneemt. Het duurt bijvoorbeeld langer om vier aardappelen te koken dan twee.
Grootte	Kleine etenswaren en kleine stukjes koken sneller dan grote, omdat de microgolven van alle kanten tot in het midden kunnen doordringen. Zorg er voor een gelijkmatige bereiding voor dat alle stukken van dezelfde grootte zijn.
Vorm	Bij etenswaren met een onregelmatige vorm, zoals kipfilet of kippenboutjes, duurt het langer voordat de dikkere delen gaar zijn. Leg de dikste delen aan de buitenkant van de schaal, waar deze meer energie krijgen. Ronde vormen koken gelijkmatiger dan vierkante vormen bij bereiding in de magnetron.
Temperatuur van etenswaren	De begintemperatuur van etenswaren beïnvloedt de benodigde kooktijd. Het koken van gekoelde etenswaren duurt langer dan etenswaren op kamertemperatuur. De temperatuur van de verpakking is geen echte indicatie van de temperatuur van de etenswaren of de drank. Snij in etenswaren met vullingen, bijvoorbeeld donuts met jam, om warmte of stoom te laten ontsnappen.



WAARSCHUWING: Gezicht & handen: draag altijd ovenhandschoenen om etenswaren of keukengerei uit de oven te pakken. Doe een stap achteruit als u de oven opent om warmte of stoom te laten ontsnappen. Bij het verwijderen van afdekkingen (zoals vershoudfolie), het openen van braadzakken of popcornverpakkingen, dient u ervoor te zorgen dat de stoom niet in de richting van het gezicht of de handen ontsnapt.



WAARSCHUWING: Controleer de temperatuur van etenswaren en drankjes en roer voor het serveren. Wees bijzonder voorzichtig bij etenswaren of drankjes voor baby's, kinderen of ouderen. De inhoud van zuigflessen en potjes met babyvoeding moet geroerd of geschud worden. Controleer de temperatuur voor consumptie om te voorkomen dat er brandwonden ontstaan.

TIPS VOOR ONTDOOIING

Het ontdooien van etenswaren met behulp van uw magnetron is de snelste methode. Het is een eenvoudig bereidingsproces, maar de volgende instructies zijn essentieel om ervoor te zorgen dat de etenswaren grondig ontdooid worden.

- Verwijder alle verpakkingen voor het ontdooien.
- Gebruik de magnetronvermogensniveaus P-20 of P-40 om etenswaren te ontdooien.
- Meer informatie vindt u hieronder.

Verdelen

Etenswaren die aan de buitenkant van de schaal geplaatst worden, zullen sneller ontdooien dan de etenswaren in het midden. Het is daarom van essentieel belang dat de etenswaren tijdens het ontdooien tot 4 keer opnieuw verdeeld worden.

Verplaats dicht opeengepakte stukken van buiten naar het midden en verdeel de stukken die elkaar overlappen opnieuw.

Dit zorgt ervoor dat alle stukken gelijkmatig ontdooien.

Scheiden

Etenswaren kunnen aan elkaar kleven als u deze uit de vriezer haalt. Het is belangrijk om de etenswaren tijdens het ontdooien zo snel mogelijk te scheiden.

bijv. spekreepjes, kipfilets.

Afschermen

Sommige stukken van ontdooid etenswaren kunnen warm worden. Om te voorkomen dat deze warmer worden en beginnen te koken, kunt u deze stukjes afschermen met kleine stukjes folie, die de microgolven reflecteren. Bijv. de poten en vleugels van kip.

Wachten

De wachttijd is nodig om ervoor te zorgen dat de etenswaren grondig ontdooien.

Het ontdooiproces is niet voltooid als de etenswaren eenmaal uit de magnetron zijn gehaald. De etenswaren moeten gedurende een bepaalde tijd afgedekt blijven staan om ervoor te zorgen dat ook de kern volledig ontdooid is.

Omdraaien

Het is cruciaal dat alle etenswaren tijdens het ontdooien minstens 3 tot 4 keer omgedraaid worden.

Dit is belangrijk voor een grondige ontdooiing.

TIPS VOOR OPWARMEN

Voor het opwarmen van etenswaren volgt u de onderstaande adviezen en richtlijnen. Zo zorgt u ervoor dat de etenswaren grondig opgewarmd worden alvorens u deze opdiert.

Maaltijden op een bord

Haal eventuele porties gevogelte of vlees van het bord af. Warm deze afzonderlijk op, zie hieronder.

Plaats kleinere stukken etenswaren in het midden van het bord, grotere en dikkere etenswaren aan de rand. Bedek het bord met magnetronfolie en warm het gerecht op het vermogen P-50 op. Roer halverwege de opwarmfase en verdeel de etenswaren opnieuw.

OPMERKING: zorg ervoor dat de etenswaren grondig opgewarmd worden alvorens u deze opdiert.

Gesneden vlees

Bedek dit met vershoud- of magnetronfolie en warm het vlees op het vermogen P-60 op. Verdeel de stukken vlees minstens één keer opnieuw om te zorgen voor een gelijkmatige opwarming.

OPMERKING: zorg ervoor dat het vlees grondig opgewarmd wordt alvorens u dit opdiert.

Porties gevogelte

Leg de dikste stukken van de porties aan de buitenkant van het bord. Bedek het bord met vershoud- of magnetronfolie en warm het gevogelte op het vermogen P-70 op.

Draai de stukken halverwege het opwarmen om.

OPMERKING: zorg ervoor dat het gevogelte grondig opgewarmd wordt alvorens u dit opdiert.

Ovenschotels

Bedek deze met vershoud- of magnetronfolie of een geschikt deksel en warm het gerecht op het vermogen P-50 op. Roer regelmatig om te zorgen voor een gelijkmatige opwarming.

OPMERKING: zorg ervoor dat de etenswaren grondig opgewarmd worden alvorens u deze opdiert.

Om de beste resultaten te verkrijgen bij het opwarmen, selecteert u een magnetronvermogen dat geschikt is voor de betreffende etenswaren. Een schaal met groenten kan bijvoorbeeld worden opgewarmd op P-100, terwijl een lasagne met ingrediënten die niet kunnen worden geroerd, opgewarmd dient te worden op P-40.

OPMERKINGEN:

- Verwijder de etenswaren uit de folie of metalen bakjes alvorens u deze opwarmt.
- Opwarmtijden zijn afhankelijk van de vorm, diepte, hoeveelheid en temperatuur van de etenswaren, evenals van de grootte, vorm en het materiaal van het bakje.



WAARSCHUWING: Verhit nooit vloeistoffen in flessen met een dunne hals, omdat de vloeistof plotseling uit de fles zou kunnen spuiten en brandwonden kan veroorzaken.

- Om oververhitting en brand te voorkomen dient u goed op te letten wanneer u voedsel met een hoog suiker- of vetgehalte, zoals gehaktbroodjes of kerstpudding opwarmt.
- Verwarm nooit olie of vet dat bedoeld is om te frituren. Dit kan leiden tot oververhitting en brand.
- Aardappelen in blik mogen niet opgewarmd worden in de magnetron. Volg de instructies van de fabrikant op het blikje.



WAARSCHUWING: De inhoud van babyflesjes roeren of schudden en de temperatuur voor consumptie controleren om verbranding te voorkomen.

PROBLEEMOPLOSSING

Indien u het idee heeft dat de oven niet goed werkt zijn er een aantal eenvoudige controles die u kunt uitvoeren voordat u de hulp van een technicus inroept. Hiermee wordt voorkomen dat u onnodig een technicus laat komen voor een defect dat eenvoudig is op te lossen.

Deze eenvoudige controle wordt hieronder uiteengezet:

Zet een half kopje water op het draaiplateau en sluit de deur. Stel de timer in voor bereiding gedurende 1 minuut op het magnetronvermogensniveau 100P.

1. Gaat de ovenlamp aan tijdens het koken?
2. Werkt de ventilator? (U kunt hiervoor uw hand boven de luchtventilatoropeningen plaatsen.)
3. Hoort u na 1 minuut het belsignaal?
4. Is het water in de kop heet geworden?

Als uw antwoord "NEE" is op iedere vraag controleer dan eerst of de oven op de juiste manier is aangesloten en of er geen zekering is gesprongen. Als dit niet het geval is kunt u de onderstaande probleemoplossingstabel raadplegen.



WAARSCHUWING: Repareer, wijzig of pas de oven nooit zelf aan. Dit is gevaarlijk en het onderhoud en reparaties dienen te worden uitgevoerd door een hiervoor opgeleide onderhoudsmonteur van SHARP. Dit is belangrijk omdat hierbij wellicht een afdekking van de magnetron dient te worden geopend die bescherming biedt tegen microgolven.

- De deurafdichting houdt lekkage van microgolven tijdens de ovenfunctie tegen, maar zorgt niet voor een luchtdichte afsluiting. Het is normaal dat er rond de ovendeur druppels water of licht te zien is of dat u hier warme lucht voelt. Voedsel dat veel vocht bevat, veroorzaakt stoom en condensatie aan de binnenkant, die aan de buitenkant te zien kan zijn.
- Reparaties en aanpassingen: voer geen reparaties of aanpassingen aan de oven uit als deze niet naar behoren functioneert.
- Behuizing en lamp: maak de behuizing nooit open. Dit is erg gevaarlijk omdat de onderdelen binnenin onder hoge spanning staan en dus nooit mogen worden aangeraakt. Dit is immers levensgevaarlijk. De oven is niet voorzien van een toegankelijk deksel op de lamp. Als de lamp kapot is, dient u deze niet zelf te vervangen maar neem hiervoor contact op met een door SHARP erkende servicedienst.

PROBLEEMOPLOSSINGSTABEL

VRAAG	ANTWOORD
Ik voel een luchtstroom bij de deur.	Wanneer de oven werkt, circuleert er lucht in de ovenruimte. De deur vormt geen luchtdichte afsluiting dus er kan lucht via de deurkieren ontsnappen.
Er wordt condensatie in de oven gevormd, die op de deur te zien kan zijn.	De ovenruimte is normaal gesproken kouder dan de etenswaren die worden bereid. De stoom die tijdens het koken wordt geproduceerd condenseert op het koudere oppervlak. De hoeveelheid stoom hangt af van de hoeveelheid water dat de etenswaren bevatten. Sommige etenswaren, zoals aardappelen, bevatten ontzettend veel vocht. Condensatie in de glazen deur zou na een paar uur verdwenen moeten zijn.
Flitsen of vonken in de ovenruimte tijdens het koken.	Vonken ontstaan als er een metalen voorwerp in de buurt komt van de ovenruimte tijdens de bereiding. Dit kan mogelijk het oppervlak van de ovenruimte aantasten, maar zal de oven niet beschadigen.
Vonken bij het bereiden van aardappels.	Controleer of alle "ogen" van de aardappelen zijn verwijderd en dat u ze heeft ingeprikt. Plaats ze direct op het draaiplateau of in een hittebestendige schaal of iets soortgelijks.
Wanneer u de oven alleen in de grillstand gebruikt, valt het u mogelijk op dat het verwarmingselement niet altijd aan lijkt te zijn.	Dit komt omdat het grillelement in- en uitschakelt om de oventemperatuur op het vooraf ingestelde niveau te houden.
Wanneer u de grill in de combinatiemodus gebruikt, dan lijkt de grill niet aan te staan.	Tijdens de gecombineerde bereidingsmodus (magnetron en grill) schakelt de oven tussen de twee functies. De magnetron- en grillfunctie zijn nooit tegelijkertijd ingeschakeld.
De oven werkt niet als ik op de knop START/QUICK START druk.	Controleer of de deur goed is gesloten.
Oven werkt te langzaam.	Zorg ervoor dat het juiste vermogen is geselecteerd.
Oven maakt geluid.	Als y de magnetron in- en uitschakelt, dan hoort u mogelijk een zoemend geluid - dit is normaal.
Na de bereiding maakt de oven lawaai of lijkt deze nog te werken.	Aan het einde van de bereidingscyclus kan de ventilator enkele minuten aanblijven om de oven af te koelen. Dit is normaal.
Buitenkast is heet.	De kast kan handwarm worden - houd kinderen uit de buurt.
De melding "LoC" verschijnt op het display wanneer ik een knop indruk.	Na 30 seconden schakelt de oven in de vergrendelingsmodus. Dan kunt u de knoppen niet indrukken. Open en sluit de deur en de knoppen werken weer. Controleer ook of het apparaat niet in de vergrendelingsmodus staat.
De melding "Fail" verschijnt op het display en de oven laat elke minuut een pieptoon horen.	Als u de knoppen op het bedieningspaneel langer dan 1 minuut continu indrukt, dan gebeurt dit. Trek dan de stekker van de oven uit het stopcontact, wacht een paar minuten en steek de stekker dan weer in.
De oven piept elke 30 seconden.	Als u na beëindiging van de bereiding de deur niet hebt geopend, dan klinkt er om de 30 seconden een pieptoon. Om deze pieptoon te stoppen opent en sluit u de deur.

VOORDAT U HULP INROEPT

Controleer voordat u de hulp van de klantendienst inroept elk van de volgende zaken:

- Controleer of de stekker van de oven correct in het stopcontact zit. Zo niet, dan trekt u de stekker uit het stopcontact, wacht u 10 seconden en steekt u hem er opnieuw en correct in.
- Controleer of er geen zekering gesprongen is of stroomonderbreker geactiveerd is. Als deze zaken correct lijken te werken, test u het stopcontact met een ander apparaat.
- Controleer of het vermogen en de timer goed zijn ingesteld.
- Controleer of de deur goed gesloten is door het deurvergrendelingsysteem in te schakelen. Anders stroomt de microgolvenenergie niet de oven in.

ALS GEEN VAN DE BOVENSTAANDE CONTROLES HET PROBLEEM VERHELPT, NEEM DAN CONTACT OP MET EEN GEKVALIFICEERDE MONTEUR. PROBEER DE OVEN NIET ZELF TE REPAREREN.



Obs:

Produktet ditt er markert med dette symbolet.

Det betyr at brukte elektriske og elektroniske produkter ikke skal

blandes med generelt husholdningsavfall.

Det er atskilte innsamlings-system for disse produktene.



www.sharpconsumer.com/contact/



www.sharpconsumer.com/support/



www.sharpconsumer.com/documents-of-conformity/

A. Informasjon om avhending for brukere (private husholdninger)

1. I EU

Obs: Hvis du vil kvitte deg med dette utstyret, må du ikke bruke den vanlige søppelbøtten!

Brukt elektrisk og elektronisk utstyr må behandles atskilt og i henhold til lovgivning som krever riktig behandling, gjenvinning og resirkulering av brukt elektrisk og elektronisk utstyr.

Etter implementering av medlemsland, kan private husholdninger i EU-landene returnere brukt elektrisk eller elektronisk utstyr til utvalgte innsamlingssteder gratis*.

I noen land* kan også den lokale forhandleren ta tilbake det gamle produktet gratis hvis du kjøper et lignende nytt produkt.

*) Kontakt lokale myndigheter for nærmere informasjon.

Hvis det brukte elektroniske utstyret har batterier eller akkumulatører, må du avhende det separat på forhånd i henhold til lokale krav. Ved å avhende dette produktet på riktig måte, vil du hjelpe med å sikre at avfallet får riktig behandling, gjenvinning og resirkulering, dette kan dermed forhindre potensiell negativ påvirkning på miljøet og helse, noe som ellers kan oppstå fra uriktig avfallshåndtering.

2. I andre land utenfor EU

Hvis du ønsker å kaste dette produktet, kontakt lokale myndigheter og spør om riktig deponeringsmetode.

For Sveits: brukt elektrisk eller elektronisk utstyr kan returneres gratis til forhandleren selv om du ikke kjøper et nytt produkt.

Flere innsamlingssteder listes på hjemmesiden til www.swico.ch eller www.sens.ch.

B. Informasjon om avhending for forretningsbrukere

1. I EU

Hvis produktet brukes til forretningsformål og du vil kaste det:

Kontakt SHARP-forhandleren som vil informere deg om tilbakegivning av produktet. Du kan bli belastet for kostnader som oppstår fra tilbakegivning og resirkulering. Små produkter (og små mengder) kan tas av lokale innsamlingssteder.

For Spania: Kontakt det etablerte innsamlingsystemet eller lokale myndigheter for tilbakegivning av brukte produkter.

2. I andre land utenfor EU

Hvis du ønsker å kaste dette produktet, kan du kontakte lokale myndigheter og be om riktig avhendingsmetode.

FORHOLDSREGLER FOR Å UNNGÅ MULIG EKSPONERING TIL MIKROBØLGEENERGI

1. Ikke bruk denne ovnen med døren åpen da dette kan føre til skadelig eksponering til mikrobølgeenergi. Det er viktig at du ikke ødelegger eller forstyrrer sikkerhetsforseglingene.
2. Ikke legg noe mellom fronten av ovnen og døren eller la avfall eller rester av rengjøringsprodukter samle seg på kontaktflatene.
3. Ikke bruk ovnen hvis den er skadet. Det er veldig viktig at døren lukkes og at det ikke oppstår skade på døren, hengslene, dørlinkene eller dørpakningene og kontaktflatene.
4. Ikke forsøk å reparere eller justere ovnen.

INNHold

VIKTIGE SIKKERHETSINSTRUKSJONER.....	3
INSTALLASJON.....	10
RADIOFORSTYRRELSE.....	11
INSTRUKSJONER FOR JORDING.....	11
SPESIFIKASJONER.....	11
OVN OG TILBEHØR.....	12
KONTROLLPANEL.....	13
FØR BRUK AV OVNEN.....	14
STILLING AV KLOKKEN.....	14
MIKROBØLGETILBEREDNING.....	15
HURTIGSTART.....	16
GRILL-TILBEREDNING*.....	16
MIKROBØLGEOVN + GRILL*.....	16
AUTOMENY.....	17
AUTO-OPPTINING.....	20
AUTO-GJENOPPVARMING*.....	20
KJØKKENTIDSUR.....	21
STRØMSPARINGSFUNKSJON.....	21
LYDLØSFUNKSJON.....	22
SIKKERHETSLÅS.....	22
BARNESIKRING.....	22
RENGJØRING OG VEDLIKEHOLD.....	23
PASSENDE KOKEKAR.....	24
MIKROBØLGEOVN TILVEREDNINGSRÅD.....	25
RÅD OM OPPTINING.....	27
RÅD OM OPPVARMING.....	28
FEILSØKING.....	29
FØR DU RINGER ETTER HJELP.....	31

VIKTIGE SIKKERHETSINSTRUKSJONER

LES NØYE OG BEHOLD FOR FREMTIDIG REFERANSER

For å unngå fare for brann må ikke mikrobølgeovnen etterlates uten tilsyn når den er i bruk. Effektnivåer som er for høye, eller tilberedningstider som er for lange, kan overopphete maten og føre til brann.

Denne ovnen er konstruert for å bli brukt på en benk. Den er ikke konstruert for å bli innebygget i en kjøkkenenhet. Ikke plasser ovnen i et skap.

Støpslet må være lett tilgjengelig, slik at enheten raskt kan trekkes ut i en nødsituasjon.

Strømmen må være vekselstrøm, 230–240 V, 50 Hz, med en 10 A sikring eller en minimum 10 A kretsbytter. En separat krets som bare betjener dette utstyret.

Ikke plasser ovnen i områder hvor det bygges opp varme, for eksempel nær en konvensjonell ovn. Ikke installer ovnen i et område med høy luftfuktighet eller hvor det kan samle seg fuktighet. Ikke oppbevar eller bruk ovnen utendørs.

Dersom det oppdages røyk må ovnen slås av eller støpslet på den elektriske ledningen trekkes ut av kontakten, og døren må holdes lukket for å hindre oppblussing av flammer.

Bruk kun mikrobølgetrygge beholdere og redskaper. Redskaper bør kontrolleres for å påse at de er egnet for bruk i mikrobølgeovner.

Når det varmes opp mat i plast- eller papirbeholdere, må ovnen overvåkes på grunn av faren for antenning.

Rengjør mikrobølgedekselet og ovnsrommet. Disse må være tørre og fettfrie. Oppbygd fettbelegg kan overopphetes og begynne å ryke eller antennes.

Ikke plasser brennbare materialer nær ovnen eller ventilasjons-

åpningene. Ikke blokker ventilasjonsåpningene.

Fjern alle metallåser, ståltråd og annet fra matens emballasje. Elektriske overslag på metalloverflater kan føre til brann.

Ikke bruk mikrobølgeovnen til å varme opp olje for frityrsteking. Temperaturen kan ikke kontrolleres, og olje kan antennes.

Bruk kun spesielle popcornposer i mikrobølgeovn når du skal lage popcorn.

Ikke oppbevar mat eller annet inne i ovnen.

Kontroller innstillingene etter at du har startet ovnen for å forsikre deg om at ovnen virker som den skal.

Ikke la ovnen stå uten tilsyn under bruk.

For å unngå overoppheting og brann, må det tas spesielle hensyn når det tilberedes mat med høyt sukker- eller fettinnhold, f.eks. innbakte pølser, paier, juleribber osv. Se tilhørende råd i bruksanvisningen.

For å unngå risiko for skader. ADVARSEL:

Ikke bruk ovnen dersom den er skadet eller har en funksjonsfeil. Kontroller følgende før bruk:

- a) Påse at døren lukkes korrekt og at den ikke er feiltilpasset eller skjev.
- b) Kontroller at hengslene og dørklinkene ikke er ødelagte eller løse.
- c) Påse at dørpakningene og kontaktflatene ikke er skadet.
- d) Påse at det ikke er bulker inne i ovnen eller på døren.
- e) Påse at den elektriske ledningen og støpslet ikke er skadet.

Hvis døren eller dørpakningen er skadet må ikke ovnen brukes før skaden er utbedret av en kvalifisert person.

Aldri juster, reparer eller modifier aldri ovnen selv. Det er risik ofylt for enhver annen person enn en kvalifisert person å utføre service- eller reparasjonsarbeid som inne-

bærer fjerning av dekselet som beskytter mot eksposering fra mikrobølgeenergi.

Ikke bruk ovnen med døren åpen eller endre dørklinkene på noen måte. Ikke bruk ovnen dersom det er en gjenstand mellom dørpakningen og pakningsoverflatene.

Ikke la fett eller smuss bygge seg opp på dørpakningen eller tilstøtende deler. Rengjør ovnen regelmessig og fjern alle matrester.

Følg instruksjonene i «Stell og rengjøring». Å ikke holde ovnen ren kan føre til nedbryting av overflatene, som i sin tur kan redusere utstyrets livslengde og muligens føre til farlige situasjoner.

Personer med PACEMAKER må kontakte lege eller pacemakerprodusent om forholdsregler ved bruk av mikrobølgeovn.

For å unngå muligheten for elektrisk støt.

- Under ingen omstendighet må det ytre kabinettet fjernes.
- Unngå at det søles væske eller at gjenstander stikkes inn i dørlåsåpningene eller ventilasjonsåpningene. Dersom det skulle komme væske inn i dørlåsen, trekk umiddelbart ut ledningen til ovnen og kontakt et autorisert SHARP-verksted.
- Den elektriske ledningen og støpslet må ikke dyppes i vann eller annen væske.
- Ikke la den elektriske ledningen henge over kanten av et bord eller arbeidsflate.
- Hold den elektriske ledningen vekke fra varme overflater, inklusive baksiden av ovnen.
- Hold apparatet og ledningen vekke fra barn yngre enn 8 år.
- Ikke gjør forsøk på å skifte pære i ovnslampen selv eller la noen som ikke er elektriker godkjent av SHARP gjøre det. Dersom ovnslampen ikke virker, ta kontakt med din forhandler eller et autorisert SHARP-verksted.

- Hvis den elektriske ledningen er skadet må den skiftes av en autorisert SHARP-tekniker.

ADVARSEL: Væsker og annen mat må ikke varmes opp i forseglede beholdere siden de kan eksplodere. Mikrobølgeoppvarming av drikker kan føre til forsinket overkoking, derfor må det utvises forsiktighet ved håndtering av beholderen. For å unngå fare for eksplosjon eller brå overkoking:

Bruk aldri forseglede beholdere. Fjern forseglinger og lokk før bruk. Forseglede beholdere kan eksplodere som følge av oppbygging av trykk inne i beholderen, selv etter at ovnen er skrudd av. Vær forsiktig med mikrobølgeoppvarming av væsker. Bruk en beholder med vid åpning for å sørge for at eventuelle bobler slipper ut.

Varm aldri opp væsker i beholdere med smal åpning, som tåteflasker, siden det kan føre til at innholdet spruter ut, dette kan føre til skålding når innholdet varmes opp og koker over.

For å hindre brå overkoking av væske og mulig skålding:

1. Ikke bruk overdrevent mye tilberedningstid.
2. Rør i væsken før oppvarming/gjenoppvarming.
3. Det anbefales å sette en glasstang eller lignende (ikke av metall) i væsken mens den varmes opp.
4. La væsken stå i minst 20 sekunder i ovnen etter endt tilberedning for å unngå forsinket overkoking.

Kok ikke egg i skallet. Hardkokte egg må ikke varmes opp i mikrobølgeovnen, siden de kan eksplodere når mikrobølgekokingen er ferdig. For å koke eller varme opp egg som ikke er gjort om til eggerøre eller eggeblandinger, må det stikkes hull på plomme og eggehvite. Skrell og del hardkokte egg opp i skiver før de varmes opp i mikrobøl-

geovnen.

Stikk hull på skinnet til matvarer som poteter, pølser og frukt før tilberedning. Dersom dette ikke gjøres vil de kunne eksplodere.

ADVARSEL: Innholdet på tåteflasker og babymatglass må røres eller ristes og temperaturen kontrolleres før innholdet serveres til barnet for å unngå skålding. Bruk grytekluter eller ovnshansker når du fjerner mat fra ovnen for å unngå brannskader. For å unngå fare for brannskader:

- Lukk alltid opp beholdere, popcornposer, kokeposer og lignende med åpningen vendt vekk fra ansiktet og hendene for å unngå skålding fra damp og kokende væske. For å unngå brannskader eller skålding, test alltid temperaturen i maten og rør alltid i maten før den serveres. Vis spesiell aktsomhet hva gjelder temperaturen på mat og drikke som skal gis til spedbarn, barn og eldre. Tilgjengelige deler kan bli varme under bruk. Barn må holdes på avstand.
- Temperaturen på beholderen er ikke en indikasjon på matens eller drikkens virkelige temperatur; kontroller alltid temperaturen på det som er tilberedt.
- Stå ikke nær ovnsdøren når den åpnes slik at du unngår brannskader eller skålding fra damp eller varme som slippes ut.
- Skjær opp matvarer som er tilberedt i ovnen i deler for å slippe ut damp og unngå skålding.
- Hold barn vekke fra døren for å unngå at de brenner seg.

ADVARSEL: Barn over åtte år kan kun bruke ovnen uten overvåkning dersom tilfredsstillende instruksjon er gitt, slik at barnet er i stand til å bruke ovnen på en trygg måte og forstår farene ved feilaktig bruk.

Når mikrobølgeovnen brukes i GRILL-, MIX GRILL, VARM-LUFT-, MIX VARMLUFT og AUTO MENU-modus (gjeldende

modus for modellen), må barn kun bruke ovnen under overvåkning av voksne på grunn av varmen som utvikles.

Dette apparatet er ikke ment brukt av personer (inklusive barn) med reduserte fysiske, sensoriske og mentale evner, eller manglende erfaring og kunnskap, dersom de ikke overvåkes eller på forhånd er gitt tilfredsstillende instruksjon om bruk av apparatet av en person som er ansvarlig for deres sikkerhet.

Barn må overvåkes for å sikre at de ikke leker med apparatet. Barn bør overvåkes hvis de rengjør apparatet.

Modeller med elektronisk berøringspanel kommer med barnesikring.

Ikke len deg mot eller heng på døren når den åpnes eller lukkes. Ikke lek med ovnen eller bruk den som en leke.

Barn må læres alle viktige sikkerhetsregler: bruk grytekluter, fjern lokk og forseglinger på kokekar og pakker forsiktig; vis spesiell forsiktighet ved behandling av innpakning (dvs. selvoppvarmende materialer) som skal holde maten sprø, siden de kan være ekstra varme.

Andre advarsler

Foreta aldri noen form for endring på ovnen.

Ikke flytt ovnen mens den er i bruk.

Dette apparatet skal brukes i husholdninger. Ovnene er kun ment for tilberedelse av mat i hjemmet, og skal bare brukes til å lage mat og drikke. Å tørke mat eller klær, varme opp varmeputer, tøfler, svamper, fuktige kluter og lignende kan føre til skade, antennelse eller brann. Den er ikke egnet for kommersiell eller laboratorisk bruk.

For å sørge for problemfri bruk av ovnen og unngå skader.

Bruk aldri ovnen når den er tom. Når du bruker en bruningsstallerken eller selvoppvarmende materialer, må du alltid plassere

en varmebestandig isolator, som en porselentallerken, under for å unngå skade på ovnsbasen på grunn av varmebelastning. Forvarmingstiden som er spesifisert for retten må ikke overskrides.

Ikke bruk kjøkkenredskaper av metall idet disse kan reflektere mikrobølgene og føre til elektriske overslag. Ikke sett bokser av metall inn i ovnen.

For å unngå at dreieskiven eller basen til ovnen knuser:

- a) La den kjøles ned før du rengjør med vann.
- b) Ikke plasser varm eller kald mat eller varmt utstyr på en kald dreieskive/ovnsbase.
- c) Ikke plasser noe på det ytre kabinettet når ovnen er i bruk.

MERK:

Ikke bruk plastbeholdere for tilberedning av mat i mikrobølgeovnen dersom ovnen fortsatt er varm fra bruk av kombi-modus (avhengig av ovnsmodell) da de kan smelte.

Plastbeholdere må ikke brukes under overnevnte forhold dersom ikke beholderprodusenten sier at de egner seg.

Dersom du er usikker på hvordan du skal tilkoble ovnen, ta kontakt med en autorisert, kvalifisert elektriker.

Hverken produsent eller forhandler kan akseptere ansvar for skader på ovn eller person som skyldes at korrekte elektriske tilkoblingsprosedyrer ikke er fulgt.

Vanndamp eller vanndråper kan fra tid til annen dannes på ovenns vegger eller rundt dørpakningen eller på kontaktflatene. Dette er normalt, og er ikke tegn på mikrobølgelekkasje eller feil på produktet.

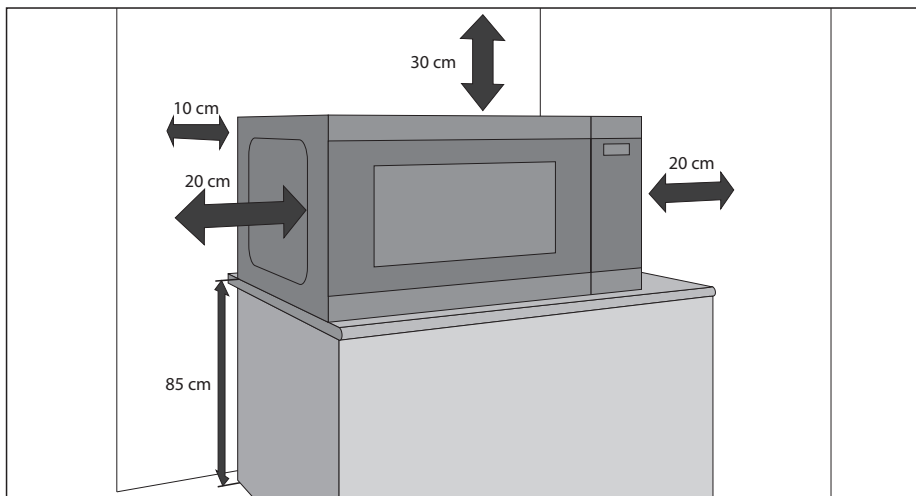
Dette apparatet skal brukes i husholdninger og lignende små brukssituasjoner som: kjøkkenområder for ansatte i en butikk, på et kontor eller andre profesjonelle miljøer / gårder / av klienter i hoteller, moteller og andre steder det bor mennesker / pensjonater.



Dette symbolet betyr at overflaten kan bli varm under bruk .

INSTALLASJON

1. Fjern all emballasje fra innsiden av ovnsrommet og fjern all beskyttelsesfilm fra mikrobølgekabinettets overflate. Kontroller ovnen nøye for ethvert tegn på skade.
 2. Undersøk ovnen nøye for å se om det finnes tegn på skader.
 3. Plasser ovnen på en solid og jevn overflate som er sterk nok til å tåle vekten av ovnen og det tyngste som vil kunne bli tilberedt inne i den. Ikke plasser ovnen inne i et skap.
 4. Velg en flat overflate med stor nok plass til å sikre inn- og utgående ventilasjon. Se bilde på den første siden. Den bakre overflaten skal plasseres mot en vegg.
- Minimum installasjonshøyde er 85 cm.
 - En minimumavstand på 20 cm er nødvendig mellom sidene til mikrobølgeovnen og tilstøtende vegger eller objekter.
 - La det være en fri plass på 30 cm over ovnen.
 - Ikke fjern føttene på bunnen av ovnen.
 - Blokkering av innsug og/eller utluftingsåpninger kan skade ovnen.
 - Plasser ovnen så langt som mulig fra radioer og TV-apparater. Bruk av mikrobølgeovn kan føre til forstyrrelser av radio- og TV-signaler.



5. Sett ovnens støpsel inn i en standard jordet stikkontakt.

ADVARSEL:

Ikke plasser ovnen der det skapes varme, fukt eller høy luftfuktighet, (for eksempel nær eller over en konvensjonell ovn) eller nær brennbare materialer (for eksempel gardiner).

Ikke blokker eller begrenser ventilasjonsåpningene.

Ikke plasser gjenstander på toppen av ovnen.

Ikke berør utsiden av mikrobølgeovnen under eller rett etter drift da den vil være varm.

RADIOFORSTYRRELSE

Bruk av mikrobølgeovnen kan forstyrre signalet til din radio, TV eller lignende utstyr. Hvis det oppstår forstyrrelser, kan det reduseres eller elimineres ved å ta følgende tiltak:

1. Rengjør døren og ovnsrommet hvor de møtes.
2. Endre stillingen til mottakerantennen til radioen eller TV-en.
3. Flytt mikrobølgeovnen i henhold til mottakeren.
4. Koble mikrobølgeovnen til en annen stikkontakt slik at ovnen og mottakeren er på forskjellige hovedforsyninger.

INSTRUKSJONER FOR JORDING

Dette apparatet må være jordet. Denne ovnen er utstyrt med en kabel som har en jordingsledning med en jordingsplugg. Den må være koblet til en stikkontakt som har blitt installert og jordet. I tillegg en elektrisk kortslutning, vil jording redusere fare for elektrisk støt ved å gi en rømlingsledning for den elektriske strømmen. Det anbefales at en separat krets som kun betjener ovnen skal følge med.



ADVARSEL: Feilaktig bruk av jordingspluggen kan resultere i fare for elektrisk støt.

MERK:

1. Hvis du har spørsmål om jording- eller elektriske instruksjoner, spør en kvalifisert elektriker eller serviceperson.
2. Hverken produsenten eller forhandleren kan akseptere ansvar for skader på ovn eller person som skyldes at korrekte elektriske tilkoblingsprosedyrer ikke er fulgt.

Nettledningen som brukes i mikrobølgeovnen din bruker følgende fargekodede ledninger:

Grønn og gul = JORD

Blå = NØYTRAL

Brun = DIREKTE

SPESIFIKASJONER

Modellnavn:	YC-PS204A	YC-PS234A	YC-PS254A	YC-PG204A	YC-PG234A	YC-PG254A	YC-PG284A
AC-nettspenning	230–240 V, 50 Hz, enkeltfase						
Sikring / kretsbyrter	10 A						
Effekt:	Mikrobølge	700 W	900 W	900 W	700 W	900 W	900 W
	Grill			900 W	1000 W	1000 W	1000 W
	Av-modus			<0,5 W			
	Energisparemodus			>0,5 W			
	Vekselstrøm påkrevet	1200 W	1400 W	1400 W	1400 W	1400 W	1400 W
Mikrobølgefrekvens	2450 MHz*						
Utvendige dimensjoner (B) x (H) x (D) mm	455 x 274 x 334	483 x 281 x 377	483 x 281 x 403	455 x 274 x 345	483 x 281 x 395	483 x 281 x 403	539 x 309 x 441
Dimensjoner i ovnsrommet (B) x (H) x (D)** mm	315 x 198 x 297	340 x 220 x 320	340 x 220 x 344	315 x 198 x 297	340 x 220 x 320	340 x 220 x 344	354 x 220 x 358
Ovnskapasitet	20 liter**	23 liter**	25 liter**	20 liter**	25 liter**	25 liter**	28 liter**
Diameter på roterende tallerken	245 mm	270 mm	270 mm	245 mm	270 mm	270 mm	325 mm
Størrelse på grillstativ (W) x (D) mm				190 x 79	80 x 208	80 x 208	89 x 285
Vekt	ca. 10,5 kg	ca. 12,9 kg	ca. 13,5 kg	ca. 10,9 kg	ca. 13,9 kg	ca. 13,7 kg	ca. 16,6 kg
Ovnslampe (LED-type)	1,5 W						

* – Dette produktet innfrir kravene i europeisk standard EN55011. I samsvar med denne standarden er dette produktet klassifisert som gruppe 2 klasse B.

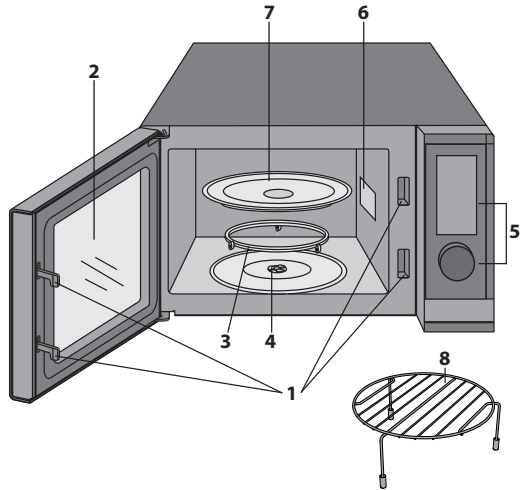
Gruppe 2 betyr at utstyret med hensikt genererer radiofrekvensenergi i form av elektromagnetisk stråling for varmebehandlingen av mat. Klasse B-utstyr betyr at utstyret egner seg for bruk i husholdninger.

** – Intern kapasitet er beregnet ved å måle maksimum bredde, høyde og dybde. Faktisk kapasitet for å romme mat er mindre.

SOM EN DEL AV VÅRT ARBEID MED KONTINUERLIGE FORBEDRINGER FORBEHOLDER VI OSS RETTEN TIL Å ENDRE DESIGN OG SPESIFIKASJONER UTEN FORUTGÅENDE VARSEL.

OVN OG TILBEHØR

1. Dørens sikkerhetslåsesystem
2. Ovnsvindu
3. Dreiering
4. Dreieskivekobling
5. Rund skive og kontrollknapper
6. Mikrobølgepanel (Ikke fjern)
7. Glassplate
8. Grillstativ for YC-PG204A, YC-PG234A, YC-PG254A og YC-PG284A
9. Ventilasjonsåpninger
10. Utvendig kabinett
11. Elektrisk ledning



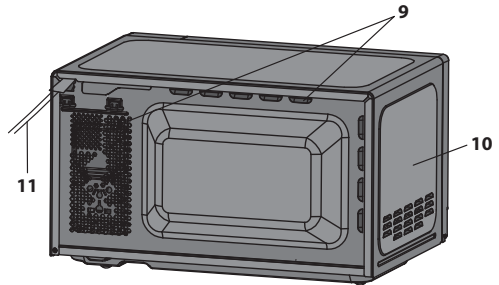
Undersøk at følgende tilbehør følger med:

Kun grillovner:

- **Grillstativ** – kun til bruk for matlaging med grillfunksjonen.
- Grillstativet er utformet kun for bruk med grillovner. IKKE bruk stativet når du bruker mikrobølgefunksjonen.
- For bruk av grillstativet, se GRILL-avsnittene i denne bruksanvisningen.

Berør aldri grillen når den er varm.

MERK: Oppgi to elementer når du bestiller tilbehør; delenavn og modellnavn.



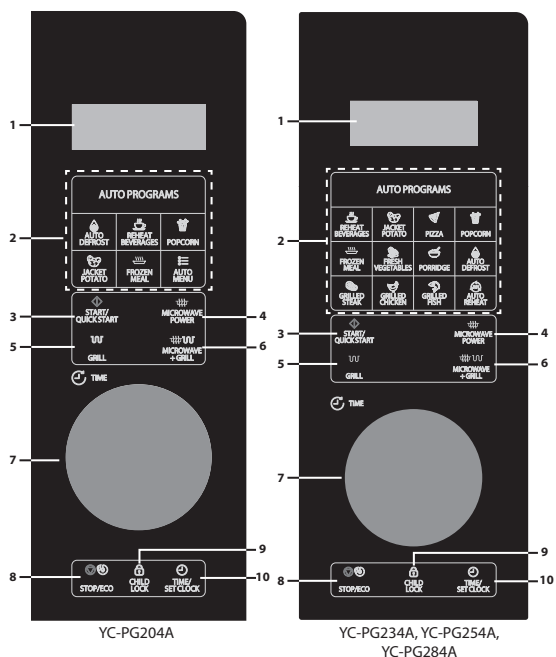
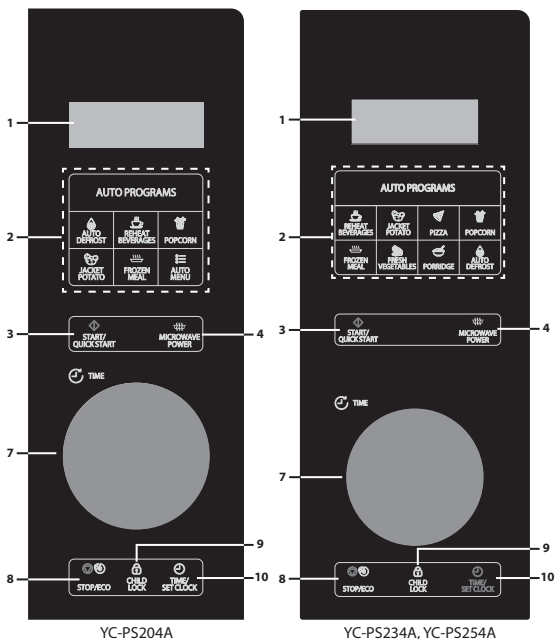
MERKNADER:

- Rengjør alltid insiden av ovnen grundig etter tilberedning av fet mat uten lokk. Det må være tørt og uten fett. Fettbelegg kan føre til overoppheting og utvikle røyk eller antenning.
- Når du bruker mikrobølgeovnen, legg alltid kokekar på dreieskiven.
- IKKE bruk grillstativet på kun mikrobølgefunksjonen.

⚠ ADVARSEL: ⚠ Dette symbolet betyr at overflaten kan bli varm ved bruk. Døren, det utvendige kabinettet, ovnsrommet, tilbehøret og tallerkenen vil bli meget varm under bruk. For å hindre brannskader må det alltid brukes tykke kjøkkenhansker eller grytekluter.

KONTROLLPANEL

- DIGITALT DISPLAY** – Viser tilberedningstid, effekt, indikatorer og klokke.
- AUTO-MENY-taster** – Trykk for å velge autotilberedningsmeny. (Se side 17 for råd om bruk).
- START/QUICK START** – (Side 16).
- MICROWAVE POWER (MIKROBØLGE EFFEKT)** – Trykk for å velge mikrobølgeeffektnivå. (Side 15).
- GRILL** – Trykk for å angi grillprogrammet. (Side 16).
- MICROWAVE+GRILL (MIKROBØLGE+GRILL)** – Trykk for å angi kombinasjonsprogrammet med mikrobølge og grill. (Side 16).
- RUND SKIVEN** – Drei med klokken eller mot klokken for å angi forskjellige funksjoner.
- STOP/ECO** – Trykk én gang for å stoppe tilberedelsen midlertidig, eller to ganger for å avbryte tilberedelsen helt. Bruk til å angi strømsparingsmodus. (Side 21).
- CHILD LOCK (BARNESIKRING)** – (Side 22).
- TIME/SET CLOCK (Klokke/tidsur)** – Bruk til å angi klokketid. Bruk til å angi tidsurfunksjonen. (Side 14).



FØR BRUK AV OVNEN

Når ovnen først er koblet til, så vil du høre en lyd, og displayet vil vise «**1: 00**». Merk at klokken ikke må stilles inn for at ovnen skal fungere riktig. For å stille klokken, følg instruksjonene i «**Stilling av klokken**»-avsnittet i denne bruksanvisningen.

Når den er ny, og grillen brukes for første gang, så vil røyk og lukt avgis. For å unngå at dette skjer når maten blir laget, bruk grillfunksjonen uten mat i ca. 20 minutter.

- Etter åpning og lukking av døren vil ovnen gå i standby-modus. Hvis ingen knapper blir trykket innen 1 minutt, så vil displayet forbli på og knappene vil ikke fungere. For å gå inn i standby-modus igjen, åpne og lukk døren.
- I løpet av matlagingen, hvis knappen **STOP/ECO** blir trykket én gang, så vil matlagingssyklusen pauses. For å starte matlagingen igjen, trykk på knappen **START/QUICK START**. Hvis knappen **STOP/ECO** blir trykket to ganger, så vil matlagingen avbrytes.
- Når du programmerer ovnen for en spesifikk funksjon, og det er en pause mellom knappetrykk i mer enn 30 sekunder, så vil ovnen gå tilbake til standby-modus.
- Når en matlagingssyklus er fullført, vil displayet vise «**End**» og en tone vil kunne høres hvert andre to minutt til en knapp blir trykket eller døren åpnes.

STILLING AV KLOKKEN

Denne ovnen har en klokke som kan brukes i enten 12- eller 24-timers modus. For å stille klokken, følg instruksjonene under:

1. I standby-modus, trykk og hold inne knappen **TIME/SET CLOCK** i minst 3 sekunder for å gå inn i stilling av klokke-modus.
 2. Trykk på knappen **TIME/SET CLOCK** for å velge 12- eller 24-timers modus.
 3. Rotér den **RUNDE SKIVEN** for å stille inn tiden. Trykk på knappen **TIME/SET CLOCK** for å lagre.
 4. Rotér den **RUNDE SKIVEN** for å stille inn minuttene. Trykk på knappen **TIME/SET CLOCK** for å lagre og avslutte klokkeinnstillingsmodus.
- Det er ikke nødvendig å stille inn klokken for at ovnen skal fungere normalt.
 - I tilberedningsmodus, trykk på knappen **TIME/SET CLOCK** for å se tiden på dagen (hvis innstilt). Tiden på dagen vil endres tilbake til nedtelling av tilberedning etter fem sekunder. Merk at tiden på dagen ikke er synlig hvis kjøkkentidsuret har blitt stilt inn.

MIKROBØLGETILBEREDNING

Følg instruksjonene under for å bruke mikrobølgefunksjonen:

1. I standby-modus, trykk på knappen **MICROWAVE POWER** for å velge effektnivået. Hver gang denne knappen trykkes, vil displayet vise mikrobølgeeffektnivået.
2. Når det ønskede mikrobølgeeffektnivået har blitt valgt, dreier du på **JOG DIAL** for å velge tilberedningstiden.
3. Trykk på knappen **START/QUICK START** for å starte tilberedning.
4. Når en matlagingssyklus er fullført, vil displayet vise «End» og en tone vil kunne høres hvert andre to minutt til en knapp blir trykket eller døren åpnes.

Merk at tabellen under er for veiledning. Ovnen din har 10 mikrobølgeeffektnivåer. Disse er 10%, 20%, 30%, 40%, 50%, 60%, 70%, 80%, 90% og 100 %. Den faktiske effektutgangen kan kalkuleres ved å multiplisere mikrobølgeeffekten med prosenten.

Tilberedningsanvisning for mikrobølge:

Display	Mikrobølgeeffekt	Foreslått bruk
P100	100 %	Bruk denne innstillingen for hurtig tilberedning eller oppvarming, f.eks. for gryteretter, varme drikker, grønnsaker, osv.
P-80	80 %	Til kompakte matvarer som krever lengre tilberedningstid ved normal tillaging, f.eks. storfekjøtt. Dette effektnivået anbefales for å få kjøttet mørt.
P-60	60 %	Brukes for lengre tilberedning av kompakte matvarer, som stek, kjøttpudding og måltider på tallerken, og for sensitive retter, som ostesaus og sukkerbrød.
P-40	40 %	Tineinnstilling: velg denne effektinnstillingen for å sikre at retten tines jevnt. Denne innstillingen er også ideell for småkoking av ris, pasta, melboller og tilberedning av eggekrem.
P-20	20 %	Brukes til forsiktig tining, for eksempel av kremkaker eller finere bakverk.

- I løpet av tilberedning kan du sjekke tilberedningseffektnivået ved å trykke og holde inne knappen **MICROWAVE POWER**.
- Den lengste tilberedningstiden er 95 minutter.

HURTIGSTART

Hvis du trenger å tilberede på 100 %-effektnivået, bare trykk på knappen **START/QUICK START** på **JOG DIAL** mens den er i standby-modus. Hver gang knappen **START/QUICK START** trykkes, vil den legge til 30 sekunder til tilberedningstiden.

GRILL-TILBEREDNING*

Grillelementet øverst i ovnsrommet har kun én effekttinnstilling. Den er effektiv og økonomisk. Grillen er ideell for å tilberede bacon, nakkeskiver, fiskepinner og tekaker.

Bruk grillstativet for å grille mindre matvarer, som bacon og pølser, snu rundt halvveis gjennom tilberedningen. Mat kan plasseres direkte på stativet eller plasseres i en form eller på en varmebestandig plate. Sørg for at fett eller olje, som kan dryppe ned fra maten som blir tilberedt, har et passende brett plassert under grillstativet.

Ved bruning og gjøre overflaten på mat i en kasserolleform sprø, så kan grillstativet brukes hvis beholderen er grunt nok. Men det anbefales å plassere slike beholdere direkte på dreieskiven for å gi litt ekstra tid til å brune og gjøre maten så sprø som du ønsker. Det er ikke mye å bruke grillstativet for grilling.

Følg instruksjonene under for å bruke grillfunksjonen:

1. I standby-modus, trykk på knappen **GRILL** for å velge grillfunksjonen. Displayet vil vise «Grill»
2. Drei **JOG DIAL** for å velge tilberedningstiden.
3. Trykk på knappen **START/QUICK START** for å starte tilberedning.
4. Når matlagingsssyklusen er fullført, vil displayet vise «End» og en tone vil kunne høres hvert 2 minutt til en knapp blir trykket eller døren åpnes.

* – Kun for modeller med Grill.

MIKROBØLGEOVN + GRILL*

Ved å bruke både mikrobølge- og grillfunksjonen, så er det mulig å brune og tilberede maten hurtig. For å bruke mikrobølge- og grillfunksjonen, følg instruksjonene under:

1. I standby-modus, trykk på tasten **MICROWAVE + GRILL** én eller to ganger for å velge «Co-1» eller «Co-2».
2. Drei **JOG DIAL** for å angi tilberedningstiden.
3. Trykk på knappen **START/QUICK START** for å starte.
4. Når en matlagingsssyklus er fullført, vil displayet vise «End» og en tone vil kunne høres hvert andre to minutt til en knapp blir trykket eller døren åpnes.

Mikrobølge- + grillfunksjon

Display	Utgang	Foreslått bruk
Co-1	70 % grill / 30 % mikrobølge	Kyllingbiter, kyllingbryst, svinekoteletter
Co-2	56 % grill / 44 % mikrobølge	Hel kylling

- Maksimal tilberedningstid med grillen er 95 minutter.
- I løpet av grilling, la røyk og lukt oppløses ved å åpne et vindu eller slå på kjøkkenventilasjonen. Dette er normalt og ikke en feil på ovnen.
- I løpet av tilberedningen kan du sjekke den gjeldende kombinasjonen av tilberedningseffekt ved å ta på knappen **MICROWAVE + GRILL**.
- Når du bruker grill-funksjonen slår grillen seg regelmessig på og av for å forhindre overoppheting.
- Når du bruker MICROWAVE+GRILL-funksjonen, så kan mat plasseres i en passende beholder direkte på dreieskiven i ovnen eller på grillstativet.

ADVARSEL: Døren, det utvendige kabinettet, ovnsrommet og tilbehør vil bli svært varme under grillingen. For å unngå brannskader bruk alltid tykke kjøkkenhansker.

* – Kun for modeller med Grill.

AUTOMENY

For enkelthets skyld, så lar auto-programmer maten bli tilberedt raskt og effektivt med kun et par knappetrykk. Det er ikke nødvendig å programmere varigheten og tilberedningseffekten. Alt som kreves, er at du trykker på den krevde autotilberedningsknappen, angir vekt/mengde ved å dreie på **JOG DIAL** og deretter trykker på knappen **START/QUICK START**.

For eksempel, tilbered to ovnsbakte poteter.

1. Åpne døren og plasser maten på innsiden av ovnen ved å bruke passende kokekar for tilberedningszyklusen som brukes.
2. Steng døren.
3. Trykk på knappen **JACKET POTATO** én gang.
4. Drei **JOG DIAL** for å angi antallet poteter.
5. Trykk på knappen **START/QUICK START**.
6. Når en matlagingszyklus er fullført, vil displayet vise «End» og en tone vil kunne høres hvert andre to minutt til en knapp blir trykket eller døren åpnes.

Autotilberedningsmenyer:

Auto-program	Størrelse/vekt
Frossent kjøtt Auto-opptining Auto-gjennoppvarming	Velg vekten ved å dreie på JOG DIAL . Frosne måltider og auto-gjennoppvarming (200 til 800 g), auto-opptining (100 til 1800 g)
Gjenoppvarm drikker	Velg antallet kopper (200 ml hver) ved å dreie på kontrollen JOG DIAL . 1 til 3 kopper.
Ovnsbakt potet	Velg antallet poteter (230 g hver) ved å dreie på kontrollen JOG DIAL . 1 eller 2 poteter.
Pizza	Velg vekten på pizzaen (150 g / 300 g / 450 g) ved å dreie på kontrollen JOG DIAL .
Popcorn	Velg antallet popcornpakker (100 g hver) ved å dreie på kontrollen JOG DIAL .
Ferske grønnsaker	Velg vekten på grønnsakene (200 g til 600 g) ved å dreie på kontrollen JOG DIAL .
Grøt	Velg vekten på grøten (gram) ved å dreie på kontrollen JOG DIAL . 50 til 150 g.
Grillet biff (kun grillmodeller)	Velg vekten på biften (200 g til 600 g) ved å dreie på kontrollen JOG DIAL .
Grillet kylling (kun grillmodeller)	Velg vekten på kyllingen (200 g til 600 g) ved å dreie på kontrollen JOG DIAL .
Grillet fisk (kun grillmodeller)	Velg vekten på fisken (200 g til 600 g) ved å dreie på kontrollen JOG DIAL .

- Resultatet på autotilberedningen avhenger av faktorer som formen og størrelsen på maten, dine personlige preferanser, slik som passe stekt/kokt for visse matvarer, og hvordan maten plasseres i ovnen. Hvis resultatet av tilberedningen ikke er tilfredsstillende, vennligst juster tilberedningstiden til passende.

Merk: Auto-menyknappen brukes kun på YC-PG204A- og YC-PS204A-modeller. Hver gang automeny-knappen trykkes vil displayet vise autoprogrammet, som i tabellen over. Når den ønskede automenyen blir funnet, dreier du på **JOG DIAL**-kontrollen for å velge vekten på maten som skal tilberedes.

Automatiske programdetaljer

Mat	Kvantitet	Starttemperatur	Tilberedningsteknikk
Varm opp drikker	1 til 3 kopper 1 kopp = 200 ml	Romtemperatur	<ol style="list-style-type: none"> 1. Plasser drikken som skal varmes opp midt på glassplaten i mikroovnen 2. Lukk døren og trykk på VARM OPP DRIKKER-knappen og velg antall kopper ved å dreie på JOG DIAL-hjulet. 3. Trykk på START/QUICK START-knappen for å starte tilberedning. 4. Ta ut drikken når tidtakeren stopper. Vær forsiktig, drikken er varm.
Bakte poteter	1 til 2 poteter 1 potet = 230±10 g	Romtemperatur	<ol style="list-style-type: none"> 1. Vask og tørk poteten(e), stikk hull i overflaten på potetene med en gaffel flere ganger. 2. Plasser poteten(e) midt på glassplaten i mikroovnen. 3. Lukk døren og trykk på BAK POTET-knappen og velg antall poteter ved å dreie på JOG DIAL-hjulet. 4. Trykk på START/QUICK START-knappen for å starte tilberedning. 5. Ta ut poteten(e) fra mikroovnen når tidtakeren stopper. Vær forsiktig, maten er varm.
Pizza	150–450 g	Frossen -18 °C	<ol style="list-style-type: none"> 1. Plasser pizzaen på en tallerken som tåler mikroovn midt på glassplaten i mikroovnen. 2. Lukk døren og trykk på PIZZA-knappen og velg vekt ved å dreie på JOG DIAL-hjulet. 3. Trykk på START/QUICK START-knappen for å starte tilberedning. 4. Ta ut pizzaen fra mikroovnen når tidtakeren stopper. Vær forsiktig, maten er varm.
Popkorn	100 g	Romtemperatur	<ol style="list-style-type: none"> 1. Plasser popkornet midt på glassplaten i mikroovnen. 2. Lukk døren og trykk på POPKORN-knappen. 3. Trykk på START/QUICK START-knappen for å starte tilberedning. 4. Ta ut popkornet fra mikroovnen når tidtakeren stopper. Vær forsiktig, maten er varm.
Frossen mat	200–800 g	Frossen -18 °C	<ol style="list-style-type: none"> 1. Sett frossen mat på en tallerken som tåler mikroovn og dekk til med plastfolie. Lag flere små hull i platen. 2. Legg tallerkenen midt på glassplaten i mikroovnen. 3. Lukk døren og trykk på FROSSEN MAT-knappen og velg vekt ved å dreie på JOG DIAL-hjulet. 4. Trykk på START/QUICK START-knappen for å starte tilberedning. 5. Ta ut maten fra mikroovnen og server den når tidtakeren stopper. Vær forsiktig, maten er varm.
Ferske grønnsaker	200–600 g	Romtemperatur	<ol style="list-style-type: none"> 1. Vask og skjær opp grønnsakene i små biter. 25–30 mm lange og 10 mm tykke. 2. Legg bitene i en keramikkål som tåler mikroovn og dekk til med plastfolie. Lag flere små hull i platen. 3. Plasser skålen midt på glassplaten i mikroovnen. 4. Lukk døren og trykk på FERSE GRØNNSAKER-knappen og velg vekt ved å dreie på JOG DIAL-hjulet. 5. Trykk på START/QUICK START-knappen for å starte tilberedning. 6. Ta ut maten fra mikroovnen og server den når tidtakeren stopper. Vær forsiktig, maten er varm.
Grøt	50–150 g	Romtemperatur	<ol style="list-style-type: none"> 1. Bland lettkokte havregryn og melk i en skål. Forslag: 180 ml melk per 50 g havregryn. 2. Plasser skålen midt på glassplaten. 3. Lukk døren og trykk på GRØT-knappen og velg vekt ved å dreie på JOG DIAL-hjulet. 4. Trykk på START/QUICK START-knappen for å starte tilberedning. 5. Ta ut og server maten når tidtakeren stopper.
Automatisk oppvarming	200–800 g	Kjølig 5 °C	<ol style="list-style-type: none"> 1. Legg kald ris eller pasta i en keramikkål som tåler mikroovn og dekk til med plastfolie. Lag flere små hull i platen. 2. Plasser skålen midt på glassplaten i mikroovnen. 3. Lukk døren og trykk på AUTOMATISK OPPVARMING-knappen og velg vekt ved å dreie på JOG DIAL-hjulet. 4. Trykk på START/QUICK START-knappen for å starte tilberedning. 5. Ta ut og server maten når tidtakeren stopper.
Grillet biff	200–600 g	Romtemperatur	<ol style="list-style-type: none"> 1. Legg biften jevnt utover grillristen som har blitt dekket med aluminiumsfolie. 2. Plasser grillristen midt på glassplaten i mikroovnen. 3. Lukk døren og trykk på GRILLET BIFF-knappen og velg vekt ved å dreie på JOG DIAL-hjulet. 4. Trykk på START/QUICK START-knappen for å starte tilberedning. 5. Etter at maten har blitt tilberedt i 2/3 av tiden, åpner du døren og snur maten. Lukk døren igjen og fortsett tilberedningen. 6. Ta ut maten fra mikroovnen og server den når tidtakeren stopper. Vær forsiktig, maten og utstyret er varmt.
Grillede kyllingbiter	200–600 g	Romtemperatur	<ol style="list-style-type: none"> 1. Legg kyllingbitene jevnt utover grillristen som har blitt dekket med aluminiumsfolie. 2. Plasser grillristen midt på glassplaten i mikroovnen. 3. Lukk døren og trykk på GRILLET KYLLING-knappen og velg vekt ved å dreie på JOG DIAL-hjulet. 4. Trykk på START/QUICK START-knappen for å starte tilberedning. 5. Etter at maten har blitt tilberedt i 2/3 av tiden, åpner du døren og snur maten. Lukk døren igjen og fortsett tilberedningen. 6. Ta ut maten fra mikroovnen og server den når tidtakeren stopper. Vær forsiktig, maten og utstyret er varmt.
Grillede fiskebiter	100–500 g	Romtemperatur	<ol style="list-style-type: none"> 1. Legg fiskebitene jevnt utover grillristen som har blitt dekket med aluminiumsfolie. 2. Plasser grillristen midt på glassplaten i mikroovnen. 3. Lukk døren og trykk på GRILLET FISK-knappen og velg vekt ved å dreie på JOG DIAL-hjulet. 4. Trykk på START/QUICK START-knappen for å starte tilberedning. 5. Etter at maten har blitt tilberedt i 2/3 av tiden, åpner du døren og snur maten. Lukk døren igjen og fortsett tilberedningen. 6. Ta ut maten fra mikroovnen og server den når tidtakeren stopper. Vær forsiktig, maten og utstyret er varmt.

Merknad	Ovnmodus og brukte metoder	YC-PS204A	YC-PS234A og YC-PS254A	YC-PG204A	YC-PG234A, YC-PG254A og YC-PG284A
	Kun bruk mikroovnen på 100 % styrke	1 kopp – 1:40 minutter 2 kopper: 3:00 minutter 3 kopper 4:20 minutter	1 kopp – 1:30 minutter 2 kopper 2:40 minutter 3 kopper 3:50 minutter	1 kopp – 1:40 minutter 2 kopper: 3:00 minutter 3 kopper 4:20 minutter	1 kopp – 1:30 minutter 2 kopper 2:40 minutter 3 kopper 3:50 minutter
	Kun bruk mikroovnen på 100 % styrke	1 potet – 6:00 minutter 2 poteter: 9:00 minutter 3 poteter: 13:00 minutter	1 potet – 5:00 minutter 2 poteter: 8:00 minutter 3 poteter: 12:00 minutter	1 potet – 6:00 minutter 2 poteter: 9:00 minutter 3 poteter: 13:00 minutter	1 potet – 5:00 minutter 2 poteter: 8:00 minutter 3 poteter: 12:00 minutter
For YC-PS204A og YC-PG204A må AUTOMENY-knappen trykkes på til programmet vises.	Kun bruk mikroovnen på 100 % styrke	150 g – 1:00 minutter 300 g – 1:30 minutter 450 g: 2:00 minutter	150 g – 0:50 minutter 300 g – 1:20 minutter 450 g: 1:50 minutter	150 g – 1:00 minutter 300 g – 1:30 minutter 450 g: 2:00 minutter	150 g – 0:50 minutter 300 g – 1:20 minutter 450 g: 1:50 minutter
	Kun bruk mikroovnen på 100 % styrke	100 g: 3:00 minutter	100 g: 2:00 minutter	100 g: 3:00 minutter	100 g: 2:30 minutter
	Sett mikroovnen på 100 % styrke halve tiden, 0 % styrke i 1/6 av tiden og 100 % styrke i 1/3 av tiden til slutt	200 g: 8:00 minutter 400 g: 11:00 minutter 600 g: 15:00 minutter 800 g: 18:00 minutter	200 g: 6:00 minutter 400 g: 9:00 minutter 600 g: 13:00 minutter 800 g: 16:00 minutter	200 g: 8:00 minutter 400 g: 11:00 minutter 600 g: 15:00 minutter 800 g: 18:00 minutter	200 g: 6:00 minutter 400 g: 9:00 minutter 600 g: 13:00 minutter 800 g: 16:00 minutter
For YC-PS204A og YC-PG204A må AUTOMENY-knappen trykkes på til programmet vises.	Kun bruk mikroovnen på 100 % styrke	200 g: 3:30 minutter 300 g: 4:30 minutter 400 g: 5:30 minutter 500 g: 6:30 minutter 600 g: 7:30 minutter	200 g: 3:00 minutter 300 g: 4:00 minutter 400 g: 5:00 minutter 500 g: 6:00 minutter 600 g: 7:00 minutter	200 g: 3:30 minutter 300 g: 4:30 minutter 400 g: 5:30 minutter 500 g: 6:30 minutter 600 g: 7:30 minutter	200 g: 3:00 minutter 300 g: 4:00 minutter 400 g: 5:00 minutter 500 g: 6:00 minutter 600 g: 7:00 minutter
For YC-PS204A og YC-PG204A må AUTOMENY-knappen trykkes på til programmet vises.	Mikrobølgestyrke – 100 %	50 g: 2:00 minutter 100 g: 3:30 minutter 150 g: 5:30 minutter	50 g: 2:00 minutter 100 g: 3:30 minutter 150 g: 5:30 minutter	50 g: 2:00 minutter 100 g: 3:30 minutter 150 g: 5:30 minutter	50 g: 2:00 minutter 100 g: 3:30 minutter 150 g: 5:30 minutter
For YC-PG204A må AUTOMENY-knappen trykkes på til programmet vises.	Kun bruk mikroovnen på 100 % styrke	200 g: 2:00 minutter 300 g: 2:40 minutter 400 g: 3:20 minutter 500 g: 4:00 minutter 600 g: 4:40 minutter 700 g: 5:20 minutter 800 g: 6:00 minutter	200 g: 1:30 minutter 300 g: 2:00 minutter 400 g: 2:30 minutter 500 g: 3:00 minutter 600 g: 3:30 minutter 700 g: 4:00 minutter 800 g: 4:30 minutter	200 g: 2:00 minutter 300 g: 2:40 minutter 400 g: 3:20 minutter 500 g: 4:00 minutter 600 g: 4:40 minutter 700 g: 5:20 minutter 800 g: 6:00 minutter	200 g: 1:30 minutter 300 g: 2:00 minutter 400 g: 2:30 minutter 500 g: 3:00 minutter 600 g: 3:30 minutter 700 g: 4:00 minutter 800 g: 4:30 minutter
For YC-PG204A må AUTOMENY-knappen trykkes på til programmet vises.	Mikroovnen kjører på 100 % styrke i 10 sekunder, så slås grillfunksjonen på i 23 sekunder. Dette gjentas helt til tilberedningstiden er over. Mikroovnen og grillen er aldri på samtidig.	N/A	N/A	200 g: 15:00 minutter 300 g: 18:00 minutter 400 g: 21:00 minutter 500 g: 24:00 minutter 600 g: 27:00 minutter	200 g: 15:00 minutter 300 g: 18:00 minutter 400 g: 21:00 minutter 500 g: 24:00 minutter 600 g: 27:00 minutter
For YC-PG204A må AUTOMENY-knappen trykkes på til programmet vises.	Mikroovnen kjører på 100 % styrke i 10 sekunder, så slås grillfunksjonen på i 23 sekunder. Dette gjentas helt til tilberedningstiden er over. Mikroovnen og grillen er aldri på samtidig.	N/A	N/A	200 g: 15:00 minutter 300 g: 18:00 minutter 400 g: 21:00 minutter 500 g: 24:00 minutter 600 g: 27:00 minutter	200 g: 15:00 minutter 300 g: 18:00 minutter 400 g: 21:00 minutter 500 g: 24:00 minutter 600 g: 27:00 minutter
For YC-PG204A må AUTOMENY-knappen trykkes på til programmet vises.	Mikroovnen kjører på 100 % styrke i 10 sekunder, så slås grillfunksjonen på i 23 sekunder. Dette gjentas helt til tilberedningstiden er over. Mikroovnen og grillen er aldri på samtidig.	N/A	N/A	100 g: 12:00 minutter 200 g: 15:00 minutter 300 g: 18:00 minutter 400 g: 21:00 minutter 500 g: 24:00 minutter	100 g: 12:00 minutter 200 g: 15:00 minutter 300 g: 18:00 minutter 400 g: 21:00 minutter 500 g: 24:00 minutter

AUTO-OPPTINING

Auto-opptining lar deg tine opp mat fra vekt. Auto-opptiningstiden og effektnivået blir automatisk stilt inn når matkategorien og vekten er programmert. Vekten på den frosne maten varierer fra 100 g til 1800 g.

1. I standby-modus, trykk på knappen **AUTO DEFROST**.
2. Drei på kontrollen **JOG DIAL** for å velge vekten på maten som skal tines.
3. Trykk på knappen **START/QUICK START** for å starte opptiningssyklusen.
4. Hvis ovnen stopper i løpet av opptiningssyklusen, snu maten rundt for å sørge for jevn opptining, og trykk deretter på **START/QUICK START** for å opptining for den gjenværende tiden.
5. Når en opptiningssyklus er fullført, vil displayet vise «End» og en tone kan høres hvert andre to minutt til en knapp blir trykket på eller døren åpnes.

Automatisk tining – håndtering

Modell	Vektområde	Tiningens tidsområde	Håndtering av tining	METODE
YC-PG204A	100–1800 g	5,5–39,5 minutter	Sett mikroovnen på 40 % styrke i 1/3 av tiden, deretter på 20 % i neste 1/3 av tiden. Du blir varslet om å snu maten, når maten er snudd tines den på 20 % styrke resten av tiden.	1. Legg den frosne maten på en tallerken som tåler mikroovn og dekk til med plastfolie. Lag flere små hull i plasten. 2. Plasser tallerkenen midt på glassplaten i mikroovnen. 3. Lukk døren og trykk på AUTOMATISK OPPTINING-knappen og velg vekt ved å dreie på JOG DIAL-hjulet. 4. Trykk på START/QUICK START-knappen for å starte opptining. 5. Halvveis i opptiningstiden stanser ovnen og ber om at maten må snus. 6. Åpne døren og snu / plasser om på maten. Lukk døren. 7. Trykk på START/QUICK START-knappen for å fortsette med opptining. 8. Ta ut maten fra mikroovnen når tidtakeren stopper. Sjekk at maten er helt opptint.
YC-PG204A	100–1800 g	5–39 minutter		
YC-PS234A og YC-PG234A	100–1800 g	5,5–39,5 minutter	Sett mikroovnen på 20 % styrke halvparten av tiden, snu maten ved varsel. Deretter kjører mikroovnen på 20 % styrke den gjenværende tiden.	
YC-PS254A, YC-PG254A og YC-PG284A	100–1800 g	3–37 minutter	Sett mikroovnen på 30 % styrke i 1/3 av tiden, deretter på 20 % i neste 1/3 av tiden. Du blir varslet om å snu maten, når maten er snudd tines den på 20 % styrke resten av tiden.	

AUTO-GJENOPPVARMING*

Ovnen lar deg varme opp mat igjen basert på vekten angitt av brukeren. Gjenoppvarmingstiden og effektnivået blir automatisk stilt inn når matkategorien og vekten er programmert. Gjenoppvarmingsvekten varierer fra 100 g til 800 g.

1. I standby-modus, trykk på knappen **AUTO REHEAT**.
2. Drei på kontrollen **JOG DIAL** for å velge vekten på maten som skal gjenoppvarmes.
3. Trykk på knappen **START/QUICK START**.
4. Når en matlagingsyklus er fullført, vil displayet vise «End» og en tone vil kunne høres hvert andre to minutt til en knapp blir trykket eller døren åpnes.

* – Kun for modeller med Grill.

KJØKKENTIDSUR

Ovnen er utstyrt med et kjøkkentidsur, som vil telle ned fra den angitte tiden.

1. Mens den er i standby-modus, trykk på knappen **TIME/SET CLOCK** én gang.
2. Drei på **JOG DIAL** for å angi ønsket tid. Den lengste tiden er 95 minutter.
3. Trykk på knappen **START/QUICK START** for å bekrefte.
4. Displayet vil telle ned fra den angitte tiden.
5. Når displayer når null, vil en tone høres.

Det er også mulig å bruke kjøkkentidsuret i tilberedningsmodus. For å gjøre det, følg trinnene fremstilt ovenfor når du tilbereder maten. Når kjøkkentidsuret er aktivert vil den vises på displayet i fem sekunder, deretter vil displayet vende tilbake til nedtellingstidsuret for tilberedningssyklusen. For å se tidsuret igjen, trykk på knappen **TIME/SET CLOCK** én gang og kjøkkentidsuret vil vises i fem sekunder, og deretter vende tilbake til tilberedningsnedtellingen.

- For å avbryte programmet for **TIMER**, trykk på knappen **STOP/ECO** og displayet viser tiden.
- Det er mulig å starte kjøkkentidsuret hvis en tilberedningssyklus har blitt startet ved å følge trinnene ovenfor.

STRØMSPARINGSFUNKSJON

Denne funksjonen lar ovnen spare strøm når den ikke er i bruk. For å aktivere denne funksjonen når den er i standby-modus, trykk og hold inne knappen **STOP/ECO** i 3 sekunder. Displayet vil slås av; ovnen vil gå inn i strømsparingsmodus.

For å avbryte strømsparingsmodus, trykk på en hvilken som helst knapp eller åpne og lukke ovnsdøren.

LYDLØSFUNKSJON

Det er mulig å dempe enhver tone fra mikrobølgeovnen ved å bruke lydløsfunksjonen. For å angi lydløsfunksjonen, trykk på knappen **CHILD LOCK** én gang når displayet vil vise «**OFF**» for 5 sekunder. I lydløsmodus lager ikke knappene lyd når du trykker på dem.

For å slå av dempefunksjonen, trykk én gang på **CHILD LOCK**-knappen, displayet vil vise "**on**" i 5 sekunder for å indikere at lyden er slått på igjen.

Hvis lydløsfunksjonen er angitt og ovnen blir koblet fra strømforsyningen, så vil den avbrytes når strømmen blir koblet til igjen.

SIKKERHETSLÅS

Dette er en automatisk funksjon for å forhindre uovervåket bruk av ovnen av små barn. Hvis ingenting skjer på ett minutt mens ovnen er i standby-modus, går ovnen automatisk inn i Sikkerhetslås-modus og «**Loc**» vil vises på displayet. Når mikrobølgeovnen er i låst modus, er alle knappene deaktiverte. Hvis du trykker på en knapp, vises låseindikatoren på displayet i fem sekunder for å minne brukere på å deaktivere låsen.

For å deaktivere låsen åpner du døren til mikrobølgeovnen. Dette aktiverer tastene igjen og slukker lyset for låseindikatoren.

BARNESIKRING

For å stille inn BARNESIKRINGEN, trykk på og hold nede knappen **CHILD LOCK** i 3 sekunder. Du vil høre en lang pipelyd og displayet vil vise «**Loc**». Ovnen er nå i BARNESIKRING-modus. I denne modusen vil displayet vise klokken, hvis taster trykkes på eller døren åpnes, «**Loc**» vil være synlig for 5 sekunder.

For å avbryte BARNESIKRINGEN, trykk og hold nede knappen **CHILD LOCK** i 3 sekunder inntil et langt lydsignal kan høres.

RENGJØRING OG VEDLIKEHOLD

- Slå av ovnen og dra ut strømledningen fra strømforsyningen når du rengjør den.
- Hold innsiden av ovnen ren. Hvis mat spruter eller væsker søles og fester seg til veggene, taket eller gulvet i ovnen, må du tørke det opp med en fuktig klut. Du kan bruke milde vaskemidler hvis ovnen blir veldig skitten. Unngå å bruke sprayer eller andre sterke rengjøringsmidler. De kan føre til misfarging, skraper eller kan gjøre døroverflaten uskarp.
- Utsiden av ovnen må vaskes med en fuktig klut. For å unngå skade på delene inne i ovnen, må du unngå at vann slipper inn gjennom ventilasjonsåpningene.
- Tørk begge sider av døren og vinduet, dørpakningene og nærliggende deler ofte med en fuktig klut for å fjerne eventuelt søl og sprut.
- Ikke bruk slipende rengjøringsmidler.
- Ikke dampvask.
- Ikke la kontrollpanelet bli vått. Vask med en myk, fuktig klut. Når du vasker kontrollpanelet, må døren stå åpen for å unngå at du slår ovnen på.
- Hvis det samles damp inni eller rundt utsiden av ovnsdøren, tørker du det med en myk klut. Dette kan skje når mikrobølgeovnen brukes i fuktige omgivelser. Dette er ikke en feil.
- Gulvdeieskiven, dreiefotstøtten og koblingen bør rengjøres ofte for å unngå forurensning og potensiell gnister/skade. Bare tørk med et mildt rengjøringsmiddel.
- Fjern lukt fra ovnen ved å blande en kopp vann med jus og skrell fra en sitron i en mikrobølgevennlig skål. Sett i ovnen og skru den på i fem minutter. Tørk over grundig og tørk med en myk klut.
- Ta kontakt med kundestøtte hvis lyspæren slutter å virke.
- Ovnen må rengjøres med jevne mellomrom og matavfall må fjernes. Å ikke holde ovnen ren kan føre til nedbryting av overflatene, som i sin tur kan redusere enhetens livslengde og muligens føre til en farlig situasjon.
- Vennligst ikke kast dette apparatet i generelt søppel; se råd i landet ditt for hvordan du kaster denne typen produkt.

PASSENDE KOKEKAR

1. Det ideelle materialet for et mikrobølgegedskap er gjennomsiktig til mikrobølgeovnen. Den lar energi passere gjennom beholderen og varme opp maten.
2. Mikrobølger kan ikke penetrere metall, så redskaper i metall eller fat med metallisk kant bør ikke brukes.
3. Ikke bruk resirkulerte papirprodukter når du tilbereder mat i mikrobølgeovnen, ettersom de kan inneholde små metallfragmenter, som kan forårsake gnister og/eller brann.
4. Runde/ovale fat i stedet for firkantede/avlange, siden maten i hjørnene har en tendens til å bli overkokt.
5. Tynne striper med aluminiumsfolie kan brukes til å forhindre overkoking i utsatte områder. Men vær forsiktig med å ikke bruke for mye og hold en distanse på 2,54 cm mellom folien og ovnsrommet

Listen under er en generell veiledning som hjelper deg med å velge riktige redskaper.

Kokekar	Mikrobølge Trygg	Grill	Kommentar
Tallerkener for brunng	✓ / ✗	✗	Følg alltid produsentens instruksjoner. Ikke overskrid oppgitte oppvarmingstider. Vær meget forsiktig idet disse tallerkenene blir meget varme.
Porselen og keramikk	✓ / ✗	✗	Porselen, leirvarer, glasert steintøy og benporselen er vanligvis brukbare, unntatt for de med metalldekorasjoner.
Varmebestandig glass	✓	✓	Forsiktighet bør utøves for å sørge for at kokekar i glass er passende for bruk i en mikrobølgeovn.
Ikke-varmebestandig glass	✗	✗	
Varmebestandig keramikk	✓	✓	Sørg for at det keramiske materialet ikke er for tykt eller har høyt mineralinnhold.
Mikrobølgetrygt kokekar i plast	✓	✗	Du bør alltid sjekke om kokekar i plast er passende for bruk i en mikrobølgeovn.
Kjøkkenpapir	✓ / ✗	✗	Bruk kun kjøkkenpapir som er anbefalt til bruk i mikrobølgeovner.
Glassartikler fra f.eks. Pyrex®	✓ / ✗	✓	Vis forsiktighet ved bruk av fint glass da glasset kan bryte eller sprekke ved brå oppvarming.
Metallbrett	✗	✓	Det anbefales ikke bruk av kokekar i metall i mikrobølgeovn da det kan oppstå elektrisk overslag som i sin tur kan føre til brann.
Metallstativ	✗	✓	Det anbefales ikke bruk av kokekar i metall i mikrobølgeovn da det kan oppstå elektrisk overslag som i sin tur kan føre til brann.
Aluminiumfolie Foliebeholdere	✓ / ✗	✓	Små biter av aluminiumfolie kan brukes til å skjermemåtvarer fra overoppheting. Hold folien minst 2,54 cm fra ovnsveggen for å hindre overslag. Foliebeholdere anbefales ikke dersom de ikke er spesifisert av produsenten, for eksempel Microfoil®, følg instruksjonene nøye.
Plastfolie	✓	✗	Bør ikke berøre maten og må stikke hull for å slippe ut damp.
Plast/Polystyren, for eksempel beholdere for gatekjøkkenmat	✓	✗	Forsiktighet må utvises siden noen beholdere kan deformeres, smelte eller misfarge ved høye temperaturer.
Poser for frysing/steking	✓	✗	Må stikkes hull på for å slippe ut damp. Påse at posen egner seg for bruk i mikrobølgeovn.
Papirtallerkener/ kopper og kjøkkenpapir	✓	✗	Ikke bruk plast- eller metalltråder idet de kan smelte eller føre til brann som følge av elektrisk overslag.
Strå- og trebeholdere	✓	✗	Bruk bare for oppvarming eller for å absorbere fuktighet. Forsiktighet må utvises da overoppheting kan føre til brann.
Resirkulert papir og avispapir	✗	✗	Hold alltid ovnen under oppsyn når slike materialer brukes da overoppheting kan føre til brann. Kan inneholde deler av metall som kan føre til overslag med tilhørende fare for brann.



ADVARSEL: Når det varmes opp mat i plast- eller papirbeholdere må ovnen overvåkes på grunn av faren for antenning.

MERK: Overvåk alltid ovnen når den er i bruk.

MIKROBØLGEOVN TILVEREDNINGSRÅD

Mikrobølgeovner tilbereder mat raskere enn konvensjonelle metoder. Det er derfor viktig at du følger enkelte teknikker for å sikre gode resultater. Mange av de følgende teknikkene ligner på de du bruker i konvensjonell matlaging.



ADVARSEL: Væsker og mat må ikke varmes opp i forseglede beholdere eller krukker/beholdere med lokk på, siden trykk bygges opp inne i beholderen/krukken, som kan føre til eksplosjon.

TILBEREDNINGSRÅD NOTATER:

- Pass alltid på ovnen når den er i bruk.
- Påse at redskapene passer for bruk i en mikrobølgeovn.
- Bruk bare mikrobølgepopcorn i anbefalte poser (følg produsentens instruksjoner). Bruk aldri olje unntatt når det er spesifisert av produsenten og bruk aldri lenger tilberedningstid enn instruert.



ADVARSEL: Hvis du overskrider anbefalte tilberedningstider eller bruker effektnivåer som er for høye, vil maten kunne overopphetes, brenne og i ekstreme tilfeller ta fyr og skade ovnen.

Plasser

Plasser den tykkeste delen av maten mot utsiden av tallerkenen, f.eks. kyllinglår.

Mat som er plassert mot utsiden av tallerkenen får mer energi og tilberedes derfor raskere enn maten i midten.

Deksel

Enkelte matvarer drar nytte av å dekkes til under mikrobølgetilberedning.

Bruk perforert mikrobølgeplastfolie eller et egnet lokk.

Stikk hull

Mat med skjell, skinn eller hinner må stikkes flere steder for tilberedning eller oppvarming siden damp kan bygges opp og kan føre til at maten eksploderer. F.eks. poteter, fisk, kylling, pølser.

MERK: Egg må ikke tilberedes i mikrobølgeovnen da de kan eksplodere, også etter selve tilberedningen er over, f.eks. posjerte, stekte, hardkokte.

Rør, snu og flytt

For jevn tilberedning er det viktig å røre, snu og flytte maten under tilberedningen. Rør og flytt maten fra utsiden og inn mot sentrum.

La stå

Ståtid er nødvendig etter tilberedningen for å sørge for at varmen sprer seg jevnt gjennom maten.

Matkarakteristikker	
Komposisjon	Matvarer med høyt fett- eller sukkerinnhold (f.eks. julepudding, kjøttdeig) krever mindre oppvarmingstid. Forsiktighet bør utøves da overoppheting kan føre til brann. Bein i mat leder varme, slik at maten tilberedes raskere. Forsiktighet må utøves slik at mates tilberedes jevnt.
Tetthet	Matens tetthet påvirker den nødvendige tilberedningstiden. Lett og porøs mat, som for eksempel kaker eller brød, tilberedes raskere enn tunge, tette matvarer som stek og gryteretter.
Kvantitet	Antall mikrobølger i ovnen er de samme uansett hvor mye mat som skal tilberedes. Tilberedningstiden må med andre ord økes etterhvert som mengden mat som settes i ovnen øker. f.eks. tar det lenger tid å tilberede fire poteter enn to.
Størrelse	Liten mat og små biter tilberedes raskere enn større biter siden mikrobølgene kan trenge gjennom fra alle sider og inn mot midten. For jevn tilberedning sørg for at alle bitene er tilnærmedesvis like store.
Form	Matvarer med irregulær form, som kyllingbryst eller kyllinglår, bruker lenger tid på tilberedning av de tykke delene. For jevn tilberedning må dem tykkeste delene plasseres lengst ute på tallerkenen der de vil motta mer energi. Runde former tilberedes jevnere enn firkantede former ved mikrobølgetilberedning.
Matens temperatur	Matens opprinnelige temperatur påvirker nødvendig tilberedningstid. Avkjølt mat tar lengre tid å tilberede enn romtemperert mat. Temperaturen til beholderen er ikke en riktig indikasjon på temperaturen til matvaren eller drikken. Lag kutt i matvarer med fyllinger, for eksempel syltesmultringer, for å frigjøre varme eller damp.



ADVARSEL: Ansikt og hender: Bruk alltid ovnshansker for å ta mat eller kokekar ut av ovnen. Hold avstand når du åpner døren, slik at du ikke treffes av varme eller damp. Når du fjerner tildekninger (som plastfolie), åpner stekeposer eller popcornposer, sørg for at dampen ledes vekk fra ansikt og hender.



ADVARSEL: Kontroller temperaturen på mat og drikker og rør før servering. Vær spesielt forsiktig når du gir mat og drikke laget i mikrobølgeovn til babyer, barn eller eldre. Innholdet av tåteflasker og barnematglass må røres eller ristes og temperaturen kontrolleres før servering for å unngå skålding.

RÅD OM OPPTINING

Mikrobølgeovnen er den raskeste måten å tine mat på. Det er en enkel prosess, men følgende instruksjoner er avgjørende for å sikre at maten er fullstendig opptint.

- Fjern all emballasje og innpakking før opptining.
- For å tine opp mat, bruk mikrobølgeeffektnivå P-20 til P-40.
- Se mer informasjon under.

Rearranger

Mat som er plassert mot utsiden av tallerkenen tiner raskere enn mat i midten. Det er derfor viktig at maten omorganiseres opptil fire ganger under tining.

Flytt nøye pakkede biter fra utsiden til midten og omorganiser overlappende områder.

Dette sikrer at alle deler av maten tiner jevnt.

Separer

Mat kan være festet til hverandre når den tas ut av fryseren. Det er viktig at maten skilles så raskt som mulig under opptiningen.

f.eks. bacon, kyllingfileter.

Beskytt

Noen områder av mat som tines opp kan bli varm. For å unngå at den blir varmere og begynner å koke kan disse områdene dekkes med små biter av folie som reflekterer mikrobølgene, det vil for eksempel si lårene og vingene på en kylling.

La stå

Ståtid er nødvendig for å sørge for at maten er fullstendig opptint.

Opptining er ikke nødvendig når maten er tatt ut av mikrobølgeovnen. Maten må stå tildekket over tid for å sikre at midten er fullstendig opptint.

Snu

All mat må snus opptil fire ganger under tiningen.

Dette er viktig for å sikre grundig gjenopptining.

RÅD OM OPPVARMING

For oppvarming av mat må nedenstående råd og retningslinjer følges for å sikre at maten er fullstendig oppvarmet før servering.

Måltider på tallerken

Fjern alt fjærfe eller kjøtt og varm opp dette for seg, se nedenfor.

Plasser mindre matbiter mot midten av tallerkenen, større og tykkere biter mot kanten. Dekk med perforert mikrobølgeplast og varm opp på effektnivå P-50, rør/beveg maten halvveis gjennom oppvarmingen.

MERK: Påse at maten er gjennomvarm før servering.

Oppskåret kjøtt

Dekk med perforert mikrobølgeplastfolie og varm opp på effektnivå P-60. Flytt maten minst én gang for å sikre jevn oppvarming.

MERK: Påse at kjøttet er ordentlig gjenoppvarmet før servering.

Deler av fjærfe

Plasser de tykkeste delene av porsjonene mot kanten av tallerkenen, dekk med perforert mikrobølgeplastfolie og varm opp på effektnivå P-70.

Vend halvveis gjennom tiningen.

MERK: Påse at fjærkreet er ordentlig gjenoppvarmet før servering.

Gryteretter

Dekk med perforert mikrobølgeplastfolie eller et passende lokk og varm opp på effektnivå P-50.

Rør regelmessig for å sikre jevn oppvarming.

MERK: Påse at maten er gjennomvarm før servering.

For å oppnå det beste resultatet når du varmer opp mat, velg et passende mikrobølgeeffektnivå tilpasset maten som skal varmes opp. En bolle grønnsaker kan for eksempel varmes opp på effektnivå P-100, mens lasagne, som inneholder ingredienser som det ikke kan røres i, bør varmes opp på effektnivå P-40.

MERKNADER:

- Fjern maten fra folie eller metallbeholdere før oppvarming.
- Oppvarmingstiden påvirkes av matens form og mengde og temperaturen på maten sammen med beholderens størrelse, form og materialer.



ADVARSEL: Varm aldri opp væsker i beholdere med smale åpninger idet det kan føre til at innholdet spruter ut fra beholderen og kan føre til skålding.

- For å unngå overoppheting og brann må det utvises spesiell forsiktighet når det varmes opp mat med høyt innhold av sukker og fett.
- Varm aldri opp olje eller fett for frityrkoking da det kan føre til overoppheting og brann.
- Hermetiserte poteter skal ikke varmes opp i mikrobølgeovn, følg produsentens instruksjoner på boksen.



ADVARSEL: Innholdet i tåteflasker og babymatglass må røres og ristes og temperaturen kontrolleres før servering for å unngå skålding.

FEILSØKING

Hvis du tror ovnen ikke fungerer ordentlig finnes det noen små ting du kan sjekke selv før du tar med ovnen til en reparatør. Feilen kan være enkel å løse, og kan spare deg for mye tid og krefter.

Skulle et problem oppstå, følg denne enkle sjekklisten,;

Plasser en halvfull kopp vann på bunnplaten og lukk døren. Still inn tidsuret på 1 minutt ved å bruke effektnivå P-100.

1. Lyser lampen når ovnen tilbereder?
2. Virker kjøleviften? (Sjekk ved å holde hånden over ventilasjonshullene).
3. Kommer det et varselsignal etter 1 minutt?
4. Er vannet i koppen varmt?

Hvis svaret er «NEI» på et av spørsmålene, sjekk om ovnen er plugget i ordentlig, og at en sikring ikke har gått. Oppdages ikke feilen fremdeles, sjekk feilsøkingstabellen nedenfor.



ADVARSEL: Aldri juster, reparer eller modifier ovnen på egenhånd. Kun SHARPs teknikere er kvalifisert til å utføre reparasjoner eller servicearbeid på ovnen. Dette er viktig, ettersom det kan bety at dekselet som skjermer mot mikrobølgestråling må tas av.

- Dørpakningen stanser lekkasje av mikrobølger mens ovnen er i drift, men den er ikke lufttett. Det oppstår ofte vannråper rundt ovnsdøren. Mat med høyt fuktighetsnivå danner damp som kan skape kondens inne i døren, og som kan dryppe ut av ovnen.
- Reparasjon og modifikasjon: Ikke bruk ovnen hvis den ikke fungerer ordentlig.
- Tilgang til utvendig kabinett og lampe: Aldri fjern det utvendige kabinettet. Dette er veldig farlig på grunn av delene med høy spenning på innsiden som aldri skal berøres fordi de kan være livsfarlige. Ovnen er ikke utstyrt med et lampetilgangsdeksel. Hvis lampen slutter å fungere, må du ikke prøve å erstatte den selv – ring et SHARP-verksted.

FEILSØKINGSTABELL

PROBLEMSTILLING	SVAR
Det trekker rundt døren.	Når ovnen fungerer, sirkuleres luft inne i ovnsrommet. Døren er ikke lufttett, så luft kan slippe ut av døren.
Kondens oppstår inne i ovnen, og kan dryppe ut av døren.	Ovnens hulrom vil normalt være kaldere enn maten som tilberedes, og derfor vil damp som dannes under tilberedning kondenseres på den kaldere overflaten. Dampmengden som produseres avhenger av vanninnholdet til maten som tilberedes. Enkelte matvarer, som for eksempel poteter, har et høyt fuktighetsinnhold. Kondens som sitter på glasset til døren forsvinner etter et par timer.
Blinking og gnistring inne i ovnsrommet ved matlaging.	Gnistring oppstår når et metallobjekt kommer for nærme ovnsrommet under tilberedning. Det kan røffe til overflatene inne i ovnsrommet, men er ellers ikke farlig.
Gnistrende poteter.	Sørg for at alle «øynene» er fjernet fra potetene og at de har blitt stukket hull på. Plasser dem rett på dreieskiven i en varmebestandig paiform eller lignende.
Når du kun bruker ovnsens grillmodus kan det hende at varmeelementene ikke alltid er på hele tiden.	Dette skyldes at grillelementene slås av og på for at ovnen skal holde innstilt temperaturnivå.
Når du bruker grillen med kombinasjonsmodus, ser det ikke ut som den er påslått.	Under modusen kombinasjonstilberedning (mikrobølge og grill) bytter ovnen mellom de to funksjonene. Mikrobølge- og grillfunksjonene er aldri på samtidig.
Ovnen fungerer ikke når knappen START/QUICK START blir trykket.	Sjekk om døren er ordentlig lukket.
Ovnen er for treg.	Sørg for at riktig effektnivå har blitt valgt.
Ovnen bråker.	Det er normalt at mikroovnen gir fra seg en summende lyd når strømmen slås på.
Etter tilberedningen gir ovnen fra seg en lyd eller ser ut som den fortsatt er i gang.	Viften kan fortsette å kjøre i noen minutter for å kjøle ned ovnen etter tilberedningssyklusen. Det er normalt.
Det ytre kabinettet er varmt.	Kabinettet kan bli svært varmt. Barn bør derfor holdes unna apparatet.
«LoC» vises i displayet når jeg trykker på en knapp.	Etter 30 sekunder går ovnen inn i låst modus og ingen av knappene vil fungere. Åpne og lukk døren for at knappene skal fungere igjen. Sjekk at enheten ikke er i låst modus.
«Feil» vises i displayet og ovnen piper én gang i minuttet.	Dette skjer dersom du trykker på knappene på kontrollpanelet kontinuerlig i mer enn 1 minutt. Trekk ut ovnsens ledning fra stikkkontakten i et par minutter før du kobler den til igjen.
Ovnen piper hvert 30. sekund.	Når tilberedningen er over og døren ikke er åpnet, piper ovnen hvert 30. sekund. Åpne og lukk igjen døren for å stanse dette.

FØR DU RINGER ETTER HJELP

Sjekk hvert av elementene under før du ringer etter hjelp:

- Kontroller at ovnen er sikkert koblet til. Hvis ikke må du koble den ut, og vente i ti sekunder før du kobler den til igjen.
- Se etter om en sikring er utløst eller om en hovedbryter har kortslettet. Hvis disse fungerer som de skal, kan du teste stikkkontakten med et annet apparat.
- Kontroller at effekt- og tidsurknottene er stilt inn riktig.
- Kontroller at døren er sikkert lukket og tar i bruk dørens sikkerhetslåsesystem. Ellers vil mikrobølgeenergien ikke flyte inn i ovnen.

HVIS INGEN AV DE OVENNEVNTTE FORSLAGENE LØSER PROBLEMET, KAN DU TA KONTAKT MED EN KVALIFISERT TEKNIKER. IKKE PRØV Å JUSTERE ELLER REPARERE OVNEN SELV.



Uwaga:

Państwa produkt jest oznaczony tym symbolem.

Oznacza on, że zużytych urządzeń elektrycznych i elektronicznych nie można łączyć ze zwykłymi odpadami z gospodarstw domowych. Dla tych produktów istnieje oddzielny system zbiórki odpadów.



www.sharpconsumer.com/contact/



www.sharpconsumer.com/support/



www.sharpconsumer.com/documents-of-conformity/

A. Informacje dla użytkowników (prywatnych gospodarstw domowych) dotyczące usuwania odpadów

1. W krajach Unii Europejskiej

Uwaga: Jeśli chcą Państwo usunąć to urządzenie, prosimy nie używać zwykłych pojemników na śmieci!

Zużyty sprzęt elektryczny i elektroniczny należy usuwać oddzielnie, zgodnie z wymogami prawa dotyczącymi odpowiedniego przetworzenia, odzysku i recyklingu zużytego sprzętu elektrycznego i elektronicznego.

Po wdrożeniu przepisów unijnych w Państwach Członkowskich prywatne gospodarstwa domowe na terenie krajów UE mogą bezpłatnie* zwracać zużyty sprzęt elektryczny i elektroniczny do wyznaczonych punktów zbiórki odpadów. W niektórych krajach* można bezpłatnie zwrócić stary produkt do lokalnych punktów sprzedaży detalicznej pod warunkiem, że zakupią Państwo podobny nowy produkt.

*) W celu uzyskania dalszych informacji na ten temat należy skontaktować się z lokalnymi władzami.

Jeśli twój zużyty sprzęt elektryczny lub elektroniczny posiada baterie albo akumulatory, usuń je wcześniej zgodnie z lokalnymi wymogami. Prawidłowo usuwając ten produkt, przyczyniasz się do właściwej utylizacji odpadów, odzyskiwania zasobów i recyklingu. Jednocześnie zapobiegasz potencjalnemu negatywnemu wpływowi na środowisko i zdrowie ludzkie, który miałyby nieprawidłowe usunięcie urządzenia.

2. Kraje pozaunijne

W celu uzyskania szczegółowych informacji na temat prawidłowej metody pozbycia się zużytych baterii, prosimy o kontakt z władzami lokalnymi.

W Szwajcarii: Zużyte urządzenia elektryczne lub elektroniczne można bezpłatnie zwracać do sprzedawcy, nawet jeśli nie zostanie zakupiony nowy produkt. Szczegóły na temat punktów zbiórki odpadów są wymienione na stronie: www.swico.ch lub www.sens.ch.

B. Informacje dla użytkowników biznesowych dotyczące usuwania odpadów

1. W krajach Unii Europejskiej

W przypadku, gdy produkt używany jest do celów biznesowych i zamierzają go Państwo usunąć:

Należy skontaktować się z autoryzowanym sprzedawcą firmy SHARP, który poinformuje o możliwości zwrotu wyrobu. Być może będą Państwo musieli ponieść koszty zwrotu i recyklingu produktu. Produkty niewielkich rozmiarów (i w małych ilościach) można zwrócić do lokalnych punktów zbiórki odpadów. W Hiszpanii: W celu usunięcia zużytego produktu prosimy o skontaktowanie się wyznaczonym punktem systemu zbiórki odpadów lub władzami lokalnymi.

2. Kraje pozaunijne

W celu uzyskania szczegółowych informacji na temat prawidłowej metody pozbycia się zużytych baterii, prosimy o kontakt z władzami lokalnymi.

Aby uzyskać informacje o serwisie przejdź do strony www.sharpconsumer.com/contact/; aby uzyskać informacje o warunkach gwarancji przejdź do strony www.sharpconsumer.com/support/ lub skontaktuj się ze sprzedawcą urządzenia.

Deklaracje zgodności są dostępne na stronie: www.sharpconsumer.com/documents-of-conformity/

ŚRODKI OSTROŻNOŚCI, KTÓRYCH NALEŻY PRZESTRZEGAĆ, ABY UNIKNĄĆ MOŻLIWOŚCI NARAŻENIA SIĘ NA DZIAŁANIE MIKROFAL

1. Nie wolno używać kuchenki przy otwartych drzwiczkach, ponieważ może to spowodować narażenie się na szkodliwe działanie promieniowania mikrofal. Ważne jest, aby nie blokować działania układów zabezpieczających ani nie manipulować przy nich.
2. Nie wolno wsuwać jakichkolwiek przedmiotów między przednią powierzchnię kuchenki a drzwiczki i nie dopuszczać do gromadzenia się zanieczyszczeń lub pozostałości środków czyszczących na powierzchniach uszczelniających.
3. Nie wolno używać kuchenki, jeśli nie działa prawidłowo. Bardzo ważne jest, aby drzwiczki kuchenki zamykały się prawidłowo, a także by drzwiczki oraz zawiasy, zatrzaski, uszczelki drzwiczek i powierzchnie uszczelniające nie były uszkodzone.
4. Nie wolno samodzielnie naprawiać ani regulować urządzenia.

SPIS TREŚCI

WAŻNE INFORMACJE DOTYCZĄCE BEZPIECZEŃSTWA	3
INSTALACJA	12
ZAKŁÓCENIA FAL RADIOWYCH	13
WSKAZÓWKI DOTYCZĄCE UZIEMIENIA	13
DANE TECHNICZNE	13
KUCHENKA I JEJ WYPOSAŻENIE	14
PANEL STEROWANIA	15
PRZED PIERWSZYM UŻYCIEM KUCENKI	16
USTAWIENIE ZEGARA	16
TRYB PRACY Z MIKROFALAMI	17
SZYBKI START	18
TRYB PRACY Z GRILLEM*	18
GOTOWANIE PRZY UŻYCIU MIKROFAL I GRILLA*	18
PROGRAMY AUTOMATYCZNEGO GOTOWANIA	19
AUTOMATYCZNE ROZMRAŻANIE	22
AUTOMATYCZNE PODGRZEWANIE*	23
TIMER KUCHENNY	23
TRYB OSZCZĘDZANIA ENERGII	23
FUNKCJA WYCISZENIA	24
BLOKADA PRZYCISKÓW	24
BLOKADA RODZICIELSKA	24
CZYSZCZENIE I KONSERWACJA	25
PRZYDATNE NACZYNIA	26
PORADY DOTYCZĄCE GOTOWANIA PRZY WYKORZYSTANIU MIKROFAL	28
PORADY DOTYCZĄCE ROZMRAŻANIA	30
PORADY DOTYCZĄCE PODGRZEWANIA	31
ROZWIĄZYWANIE PROBLEMÓW	32
ZANIM WEZWIESZ POMOC	34

* - Dotyczy wyłącznie modeli z funkcją grilla.

WAŻNE INFORMACJE DOTYCZĄCE BEZPIECZEŃSTWA

PRZECZYTAJ UWAŻNIE I ZACHOWAJ NA PRZYSZŁOŚĆ

Aby uniknąć niebezpieczeństwa pożaru. Nie powinno się pozostawiać pracującej kuchenki bez nadzoru. Ustawienie zbyt wysokiego poziomu mocy lub zbyt długiego czasu gotowania może doprowadzić do przegrzania potrawy i spowodować pożar.

Opisywana kuchenka została zaprojektowana do instalacji na blacie szafki. Nie jest przeznaczona do instalacji w zabudowie. Nie wolno umieszczać kuchenki wewnątrz szafki. Gniazdko elektryczne, do którego podłączana jest kuchenka, musi być stale dostępne, żeby w razie konieczności można było po prostu wyciągnąć wtyczkę.

Napięcie sieci musi wynosić 230–240 V~, 50 Hz, instalacja elektryczna powinna być wyposażona w bezpiecznik/wyłącznik automatyczny o dopuszczalnym prądzie 10 A lub większym. Zaleca się podłączenie urządzenia do niezależnego obwodu prądu.

Nie należy stawiać urządzenia w pobliżu źródeł ciepła, np. w pobliżu zwykłego piecyka. Nie należy instalować kuchenki w miejscach o dużej wilgotności lub tam, gdzie może się skraplać para. Nie należy przechowywać ani użytkować urządzenia na wolnym powietrzu.

Jeśli podgrzewane produkty zaczną dymić, wyłącz kuchenkę lub odłącz wtyczkę i odczekaj, aż podgrzewane produkty przestaną dymić.

Stosuj wyłącznie pojemniki i naczynia przeznaczone do kuchenek mikrofalowych. Należy stosować wyłącznie naczynia nadające się do kuchenek mikrofalowych. Korzystając z plastikowych, papierowych lub innych łatwopalnych pojemników na żywność nigdy nie pozostawiaj urządze-

nia bez nadzoru.

Oslonę źródła mikrofal i komorę operacyjną należy oczyścić po użyciu. Części te powinny być suche i bez tłuszczu. Nagromadzony tłuszcz może się przegrzać, zacząć dymić lub zapalić się.

W pobliżu urządzenia lub jego otworów wentylacyjnych nie wolno przechowywać materiałów łatwopalnych. Nigdy nie blokuj otworów wentylacyjnych.

Usuwać z produktów i opakowań wszystkie metalowe zamknięcia, druty itp. Powstawanie łuku elektrycznego na powierzchniach metalu może doprowadzić do pożaru.

Nie używaj kuchni mikrofalowej do smażenia potraw w głębokim oleju. Temperatury oleju nie można kontrolować i tłuszcz może się zapalić.

Do prażenia kukurydzy powinny być używane wyłącznie do tego przeznaczone naczynia.

Nie przechowuj w urządzeniu żadnej żywności ani innych przedmiotów.

Po uruchomieniu kuchenki sprawdź ustawienia, żeby upewnić się, że pracuje ona zgodnie z życzeniem.

Nie wolno pozostawiać pracującej kuchenki bez nadzoru.

Żeby uniknąć przegrzania lub pożaru, należy zachować szczególną ostrożność podczas gotowania i podgrzewania potraw zawierających duże ilości cukru lub tłuszczu, np. krokietów z mięsem lub budyniu. Niniejszej instrukcji obsługi należy używać razem z podanymi dalej wskazówkami dotyczącymi gotowania.

Żeby uniknąć obrażeń ciała.

Nie używaj kuchenki, jeżeli jest uszkodzona lub wykazuje wadliwe funkcjonowanie. Przed użyciem sprawdź następujące punkty:

- a) Drzwiczki muszą się zamykać prawidłowo i nie mogą być skrzywione lub scentrowane.
- b) Należy się upewnić, że zawiasy oraz zatrzaski bezpieczeństwa nie są złamane ani luźne.
- c) Należy się upewnić, że uszczelki drzwiczek i powierzchnie uszczelniające nie są uszkodzone.
- d) Należy się upewnić, że wewnątrz urządzenia i na drzwiczkach nie ma żadnych wgnieceń ani innych uszkodzeń.
- e) Należy się upewnić, że przewód zasilający oraz wtyczka nie są uszkodzone.

Nie używaj kuchenki, jeśli drzwiczki lub uszczelki drzwiczek są uszkodzone. Naprawę należy powierzyć wykwalifikowanym pracownikom serwisu.

Nigdy nie próbuj samodzielnie regulować, naprawiać ani modyfikować urządzenia. Wszelkie naprawy, zwłaszcza wiążące się z otwarciem obudowy, mogą być przeprowadzone wyłącznie przez wykwalifikowanych pracowników serwisu firmy SHARP.

Nie używaj kuchenki przy otwartych drzwiczkach lub zamknięciu przerobionym w jakikolwiek sposób. Nie używaj kuchenki, jeśli pomiędzy uszczelkami drzwiczek a powierzchniami uszczelniającymi znajdują się jakieś przedmioty.

Nie dopuszczaj do gromadzenia się tłuszczu i zabrudzeń na uszczelkach drzwiczek i sąsiednich elementach.

Stosuj się do wskazówek z rozdziału „Czyszczenie i konserwacja”. Dopuszczenie do nadmiernego zanieczyszczenia kuchenki może spowodować zniszczenie jej ścianek, doprowadzić do jej przedwczesnego zużycia oraz może wywołać sytuacje niebezpieczne.

Osoby mające ROZRUSZNIK SERCA powinny zapytać swojego lekarza lub producenta rozrusznika o środki ostrożności podczas posługiwania się kuchenkami mikrofalowymi.

Żeby uniknąć porażenia prądem elektrycznym.

- W żadnym wypadku nie wolno zdejmować zewnętrznej obudowy kuchenki.
- Nie należy wprowadzać żadnych przedmiotów ani płynów w otwory zatrząsków bezpieczeństwa drzwiczek ani w otwory wentylacyjne. Jeśli jakiś płyn rozleje się wewnątrz kuchenki, urządzenie należy natychmiast wyłączyć, wyjąć wtyczkę przewodu zasilającego z gniazda i zwrócić się do serwisu firmy SHARP.
- Przewodu zasilającego ani wtyczki nie wolno zanurzać w wodzie ani jakiegokolwiek innej cieczy.
- Przewód nie powinien być zawieszony na krawędzi stołu lub blatu kuchennego.
- Przewód zasilający należy prowadzić z dala od powierzchni nagrzewających się, włącznie z tylną ścianką kuchenki.
- Dzieciom poniżej 8 roku życia należy uniemożliwić zbliżanie się do kuchenki i przewodu zasilającego.
- Nie wolno samodzielnie wymieniać lampki oświetleniowej w kuchence ani też pozwalać, by wymieniał ją ktokolwiek, niebędący elektrykiem upoważnionym przez firmę SHARP.
- Jeśli ulegnie uszkodzeniu przewód zasilający, musi on zostać wymieniony przez upoważnionego pracownika serwisu firmy SHARP.

OSTRZEŻENIE: Płynów i innych pokarmów nie wolno podgrzewać w zamkniętych pojemnikach, ponieważ mogą one eksplodować. Podczas przenoszenia pojemnika z płynem podgrzanym w kuchence należy zachować szczególną ostrożność, ponieważ może nastąpić opóźnione wykipienie cieczy.

Nigdy nie wolno używać szczelnie zamkniętych pojemników. Przed użyciem należy zdjąć pokrywki i wieczka. Szczelnie zamknięte pojemniki mogą wybuchnąć wskutek wzrostu ciśnienia, nawet po wyłączeniu kuchenki. Przy podgrzewaniu płynów

w kuchence należy zachować szczególną ostrożność. Stosuj naczynia o szerokim wylocie, aby pęcherzyki pary mogły swobodnie uchodzić.

Nigdy nie należy ogrzewać płynów w pojemnikach o wąskich szyjkach, takich jak butelki dla niemowląt, ponieważ gorący płyn może z nich gwałtownie wytrysnąć, powodując oparzenia.

Żeby uniknąć gwałtownego wytrysnięcia wrzącej cieczy i oparzeń:

1. Nie należy przekraczać zalecanych czasów podgrzewania.
2. Płyn należy przed podgrzaniem zamieszać.
3. Wskazane jest włożenie do naczynia szklanej pałeczki lub podobnego przedmiotu na czas ogrzewania.
4. Po zakończeniu ogrzewania płyn należy pozostawić co najmniej 20 sekund w kuchence, aby zapobiec opóźnionemu wykipieniu.

Nie należy używać kuchenki do gotowania jajek w skorupkach ani do podgrzewania jajek gotowanych na twardo. Mogą one eksplodować nawet po zakończeniu procesu gotowania. Przed gotowaniem lub podgrzewaniem jajek nie roztrzepanych czy rozmieszanych należy przekłuć żółtko i białko. Jajka ugotowane na twardo należy przed podgrzewaniem w kuchence mikrofalowej obrać i pokrajać w plasterki.

Przed gotowaniem należy przekłuć skórkę takich produktów jak ziemniaki, parówki i owoce – w przeciwnym razie mogą eksplodować.

OSTRZEŻENIE: W celu uniknięcia poparzeń należy zawsze sprawdzać temperaturę pokarmów dla niemowląt i mieszać zawartość butelek i naczyń przed podaniem. Podczas wyjmowania potraw z kuchenki należy używać chwytak

do garnków lub rękawic kuchennych. Żeby uniknąć poparzeń:

- Pojemniki, naczynia do prażenia kukurydzy, woreczki do pieczenia itp. należy otwierać w taki sposób, by para nie wydobywała się z nich na twarz i ręce. W celu uniknięcia poparzeń należy zawsze sprawdzać temperaturę pokarmów i mieszać je przed podaniem; szczególną ostrożność należy zachować w przypadku temperatury pokarmów i napojów przeznaczonych dla niemowląt, małych dzieci oraz osób starszych. Nie wolno dopuścić, żeby do kuchenki zbliżały się małe dzieci, ponieważ niektóre jej elementy bardzo się nagzewają. Temperatura naczynia nie jest miarodajnym wskaźnikiem temperatury pokarmu czy napoju; zawsze należy sprawdzać temperaturę samego pokarmu.
- Temperatura naczynia nie jest miarodajnym wskaźnikiem temperatury pokarmu czy napoju; zawsze należy sprawdzać temperaturę samego pokarmu.
- Przy otwieraniu drzwiczek kuchenki należy zachować ostrożność, by nie ulec poparzeniu wydobywającą się z wnętrza parą i falą gorąca.
- Pieczone potrawy z nadzieniem należy po przyrządzeniu pokrajać w plastry, by para mogła ująć.
- Nie wolno pozwalać dzieciom, żeby zbliżały się do drzwiczek podczas pracy kuchenki, ponieważ mogłyby się poparzyć.

OSTRZEŻENIE: Dzieci w wieku od ośmiu lat mogą korzystać z kuchenki bez nadzoru tylko, jeśli zostały szczegółowo poinstruowane o sposobie bezpiecznego używania urządzenia i rozumieją ryzyko związane z niewłaściwym użyciem.

Dzieci mogą korzystać z kuchenki wyłącznie pod nadzorem opiekunów, jeśli urządzenie pracuje w trybie GRILL, PRACY KOMBINOWANEJ Z GRILLEM, PRACY Z TERMOOBIEGIEM lub PROGRAMIE AUTOMATYCZNEGO GOTOWANIA

(dostępne tryby pracy zależą od modelu kuchenki), ponieważ kuchenka w tym czasie jest bardzo gorąca.

Urządzenie to nie może być obsługiwane przez osoby (włącznie z dziećmi) z obniżonymi zdolnościami fizycznymi, zmysłowymi bądź umysłowymi, a także przez osoby bez doświadczenia i wiedzy na temat obsługi, chyba że dostały pozwolenie, bądź udzielono im instrukcji obsługi urządzenia przez osobę odpowiedzialną za ich bezpieczeństwo.

Dzieci powinny pozostawać pod opieką, aby nie bawiły się urządzeniem. Czyszczenie kuchenki przeprowadzane przez dzieci powinno być monitorowane.

Modele z elektronicznym panelem dotykowym obsługują tryb blokady rodzicielskiej.

Nie wolno opierać się ani huścić na drzwiczkach kuchenki. Nie wolno traktować kuchenki jako przedmiotu do zabawy.

Dzieciom należy wpoić zasady bezpieczeństwa: używanie rękawic kuchennych, ostrożne zdejmowanie pokrywek, zachowanie szczególnej ostrożności co do opakowań (np. materiałów samonagrzewających się), gdyż opakowania te mogą być bardzo gorące.

Inne ostrzeżenia:

Nie wolno w żaden sposób samodzielnie dokonywać modyfikacji kuchenki.

Nie wolno poruszać kuchenką podczas jej pracy.

Opisywane urządzenie przeznaczone jest tylko do użytku w gospodarstwach domowych. Kuchenka służy wyłącznie do przygotowywania potraw i napojów w warunkach domowych i można jej używać tylko do takich celów. Suszenie żywności lub odzieży oraz ogrzewanie poduszek rozgrzewających, kapci, gąbek, wilgotnych ściereczek itp. może doprowadzić do obra-

żeń, zapalenia się lub pożaru. Kuchenka nie jest przeznaczona do użytku przemysłowego ani laboratoryjnego.

Żeby zapewnić niezawodną pracę kuchenki i uniknąć uszkodzeń:

Nigdy nie należy włączać pustej kuchenki. Używając naczyń powodującego rumienienie potraw lub materiałów samona-grzewających się, zawsze należy pod nimi umieścić izolację termiczną, na przykład porcelanowy talerz, aby zapobiec uszkodzeniu podstawy urządzenia na skutek nadmiernego wzrostu temperatury. Niedopuszczalne jest przekraczanie czasu podgrzewania, podanego w przepisach.

Nie wolno używać naczyń metalowych odbijających mikrofalę i mogących spowodować powstawanie łuków elektrycznych. Nie wkładaj do kuchenki puszek.

Aby zapobiec pęknięciu talerza obrotowego lub podstawy kuchenki:

- a) Przed rozpoczęciem mycia wodą należy odczekać dopóki kuchenka nie ostygnie.
- b) Nie wolno ustawiać gorących ani zimnych produktów lub naczyń na zimnej podstawie kuchenki.
- c) Podczas pracy urządzenia nie należy na jego obudowie stawiać jakichkolwiek przedmiotów.

UWAGA:

Nie wolno używać plastikowych naczyń, jeśli komora operacyjna nie ostygła jeszcze po użyciu w trybie pracy kombinowanej (w zależności od modelu kuchenki), ponieważ mogłyby się roztopić.

W wymienionych trybach nie wolno używać plastikowych naczyń, o ile ich producent nie zaznaczył, że są one do tego celu przeznaczone.

W przypadku wątpliwości co do sposobu przyłączenia kuchen-

ki należy skontaktować się z upoważnionym, wykwalifikowanym elektrykiem.

Producent ani sprzedawca nie ponoszą żadnej odpowiedzialności za uszkodzenie kuchenki lub obrażenia ciała, powstałe wskutek zaniedbania poprawnych połączeń elektrycznych.

Na ściankach kuchenki lub wokół uszczelki drzwiczek może czasami pojawiać się para wodna lub krople wody. Jest to zjawisko normalne i nie świadczy o wydobywaniu się mikrofal na zewnątrz ani o wadliwym działaniu kuchenki.

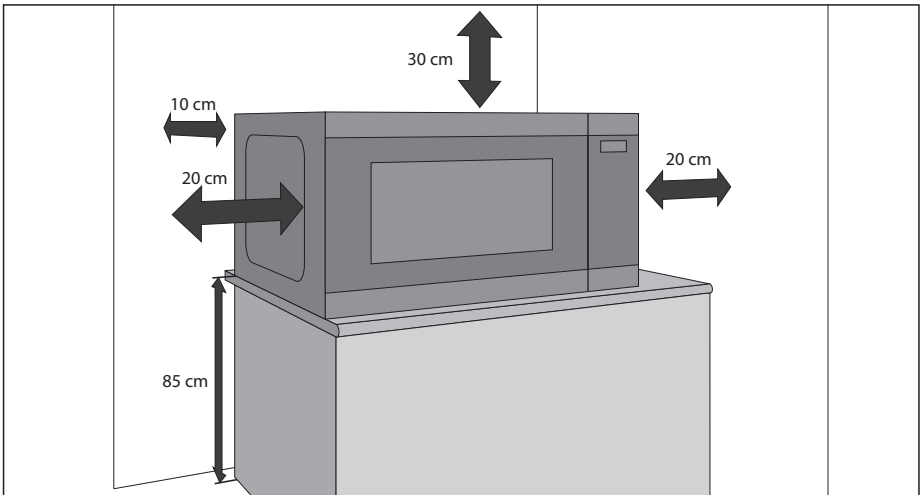
Opisywane urządzenie przeznaczone jest do użytku w gospodarstwach domowych i w podobnych zastosowaniach: w pomieszczeniach kuchennych przeznaczonych dla personelu w sklepach, biurach i innych miejscach pracy / w gospodarstwach rolnych / przez klientów w hotelach, motelach i innych miejscach zakwaterowania / w pensjonatach.



Ten symbol oznacza, że ścianki kuchenki bardzo się nagzewają.

INSTALACJA

1. Wyjmij ze środka kuchenki wszystkie elementy opakowania i zdejmij warstwę ochronną znajdującą się na obudowie urządzenia.
 2. Upewnij się, że kuchenka nie nosi żadnych śladów uszkodzenia.
 3. Ustaw kuchenkę na równym i płaskim podłożu, dostatecznie wytrzymałym, by mogło unieść ciężar kuchenki wraz z przyrządzaną w niej żywnością. Nie wolno umieszczać kuchenki wewnątrz szafki.
 4. Wybierz miejsce, które zapewni dostateczną ilość wolnej przestrzeni dla prawidłowego działania otworów wlotowych i/lub wylotowych powietrza. Zapoznaj się z rysunkiem na pierwszej stronie. Tylną ściankę kuchenki można ustawić przy ścianie.
- Minimalna wysokość instalacji wynosi 85 cm.
 - Pomiędzy kuchenką a sąsiadującymi ścianami lub przedmiotami należy pozostawić przynajmniej 20 cm wolnej przestrzeni.
 - Nad kuchenką należy pozostawić co najmniej 30 cm wolnej przestrzeni.
 - Nie należy demontować nóżek znajdujących się na spodzie kuchenki.
 - Zablokowanie otworów wlotowych i/lub wylotowych powietrza może spowodować uszkodzenie kuchenki.
 - Kuchenkę należy ustawić w możliwie największej odległości od odbiorników radiowych i telewizyjnych. Korzystanie z kuchenki mikrofalowej może powodować zakłócenia odbiorników radiowych i telewizyjnych.



5. Podłącz wtyczkę kuchenki do standardowego uziemionego gniazdka elektrycznego.

OSTRZEŻENIE:

Nie należy stawiać urządzenia w pobliżu źródeł ciepła, w miejscach o dużej wilgotności (np. w pobliżu zwykłego piekarnika) lub w pobliżu palnych materiałów (np. zasłon).

Nie należy blokować ani zasłaniać otworów wentylacyjnych.

Nie należy ustawiać żadnych przedmiotów na obudowie urządzenia.

Nie wolno dotykać zewnętrznych powierzchni kuchenki podczas pracy lub krótko po jej zakończeniu, ponieważ są gorące.

ZAKŁÓCENIA FAŁ RADIOWYCH

Pracująca kuchenka mikrofalowa może powodować zakłócenia odbiorników radiowych i telewizyjnych lub podobnego sprzętu. W przypadku wystąpienia zakłóceń można je zmniejszyć lub wyeliminować podejmując poniższe środki:

1. Oczyszczyć drzwiczki i komorę operacyjną w miejscu, w którym się stykają.
2. Zmienić kierunek ustawienia anteny odbiornika radiowego lub telewizyjnego.
3. Zmienić położenie kuchenki względem odbiornika.
4. Podłączyć kuchenkę mikrofalową do innego gniazdka elektrycznego, aby kuchenka i odbiornik były podłączone do innych obwodów.

WSKAZÓWKI DOTYCZĄCE UZIEMIENIA

Opisywane urządzenie należy uziemić. Kuchenka jest wyposażona w przewód zasilający z wtyczką z uziemieniem. Wtyczkę należy podłączyć do prawidłowo zainstalowanego gniazdka elektrycznego z uziemieniem. W przypadku wystąpienia zwarcia elektrycznego uziemienie zmniejsza zagrożenie porażenia prądem poprzez przepływ prądu przewodem uziemiającym. Zaleca się podłączenie kuchenki do niezależnego obwodu prądu.



OSTRZEŻENIE: Nieprawidłowe użycie wtyczki z uziemieniem może doprowadzić do porażenia prądem.

UWAGA:

1. W przypadku jakichkolwiek wątpliwości dotyczących prawidłowego uziemienia kuchenki lub zaleceń dotyczących instalacji elektrycznej należy kontaktować się z wykwalifikowanym elektrykiem lub personelem autoryzowanego serwisu.
2. Producent ani sprzedawca nie ponoszą żadnej odpowiedzialności za uszkodzenie kuchenki lub obrażenia ciała, powstałe wskutek zaniedbania poprawnych połączeń elektrycznych.

Przewód zasilający kuchenki mikrofalowej wykorzystuje następujące kolory przewodów:

Zielono-żółty = UZIEMIENIE

Niebieski = NEUTRALNY

Brazowy = NAPIĘCIOWY

DANE TECHNICZNE

Typ kuchenki:	YC-PS204A	YC-PS234A	YC-PS254A	YC-PG204A	YC-PG234A	YC-PG254A	YC-PG284A	
Napięcie zasilające	230–240 V~/50 Hz, prąd zmienny jednofazowy							
Bezpiecznik/wyłącznik automatyczny	10 A							
Poziom moc:	700 W	900 W	900 W	700 W	900 W	900 W	900 W	
	Grill				900 W	1000 W	1000 W	1000 W
	Tryb wyłączenia	< 0,5 W						
	Tryb oszczędzania energii	> 0,5 W						
	Wymagana moc wejściowa	1200 W	1400 W	1400 W	1400 W	1400 W	1400 W	1400 W
Częstotliwość mikrofal	2450 MHz*							
Wymiary zewnętrzne (szer.) x (wys.) x (gł.) mm	455 x 274 x 334	483 x 281 x 377	483 x 281 x 403	455 x 274 x 345	483 x 281 x 395	483 x 281 x 403	539 x 309 x 441	
Wymiary komory operacyjnej (szer.) x (wys.) x (gł.)** mm	315 x 198 x 297	340 x 220 x 320	340 x 220 x 344	315 x 198 x 297	340 x 220 x 320	340 x 220 x 344	354 x 220 x 358	
Pojemność kuchenki	20 litrów**	23 litry**	25 litrów**	20 litrów**	25 litrów**	25 litrów**	28 litrów**	
Średnica talerza obrotowego	245 mm	270 mm	270 mm	245 mm	270 mm	270 mm	325 mm	
Wymiary ruszta grilla (szer.) x (gł.) mm				190 x 79	80 x 208	80 x 208	89 x 285	
Masa	ok. 10,5 kg	ok. 12,9 kg	ok. 13,5 kg	ok. 10,9 kg	ok. 13,9 kg	ok. 13,7 kg	ok. 16,6 kg	
Lampka oświetleniowa (typ LED)	1,5 W							

* - Opisywane urządzenie spełnia wymagania europejskiego standardu EN55011. Zgodnie z tym standardem urządzenie zostało sklasyfikowane jako sprzęt należący do grupy 2 i klasy B. Przynależność do grupy 2 oznacza, że urządzenie w sposób zamierzony generuje fale radiowe służące do podgrzewania jedzenia. Przynależność do klasy B oznacza, że urządzenie może pracować w gospodarstwach domowych.

** - Pojemność kuchenki jest obliczana poprzez pomnożenie maksymalnej szerokości, głębokości i wysokości komory operacyjnej. Rzeczywista pojemność przeznaczona na potrawy jest mniejsza.

STAWIAJĄC SOBIE ZA CEL CIĄGŁE DOSKONALENIE SWOICH PRODUKTÓW FIRMA SHARP ZASTRZEGA SOBIE PRAWO DO ZMIANY WYGLĄDU I DANYCH TECHNICZNYCH URZĄDZENIA BEZ UPRZEDZENIA.

KUCHENKA I JEJ WYPOSAŻENIE

1. System blokady drzwiczek
2. Szyba w drzwiczkach
3. Pierścień obrotowy
4. Gniazdo napędowe talerza obrotowego
5. Pokrętko jog i przyciski
6. Osłona źródła mikrofal (nie wolno usuwać)
7. Szklana taca
8. Ruszt grilla do modeli YC-PG204A, YC-PG234A, YC-PG254A i YC-PG284A
9. Otwory wentylacyjne
10. Obudowa
11. Przewód zasilający

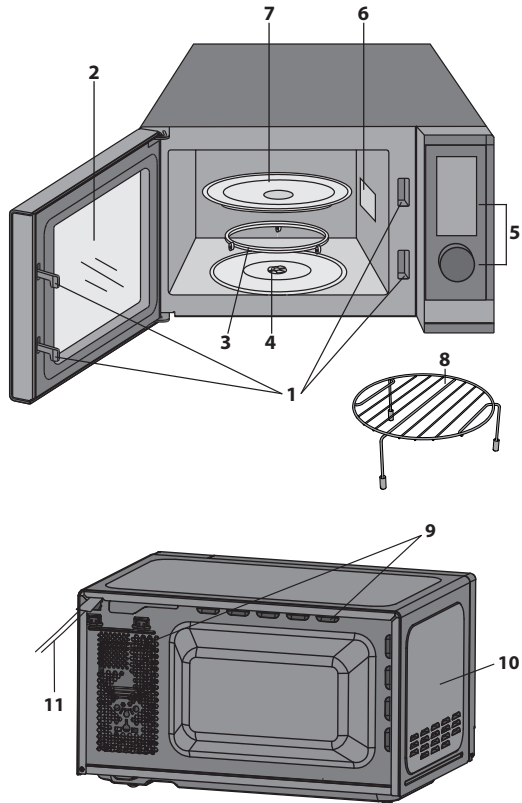
Należy upewnić się, że wraz z kuchenką dostarczone zostały następujące akcesoria:

Dotyczy wyłącznie kuchenek z grillem:

- Ruszt grilla – tylko do gotowania w trybie grilla.
- Ruszt grilla jest przeznaczony wyłącznie do użytku z kuchenkami z funkcją grilla. NIE WOLNO stosować rusztu do gotowania mikrofalami.
- Informacje na temat korzystania z rusztu grilla można znaleźć w sekcjach dotyczących trybów pracy z GRILLEM w niniejszej instrukcji obsługi.

Nigdy nie dotykaj nagrzanego rusztu.

UWAGA: W celu zamówienia wyposażenia dodatkowego należy podać typ kuchenki oraz nazwę części.



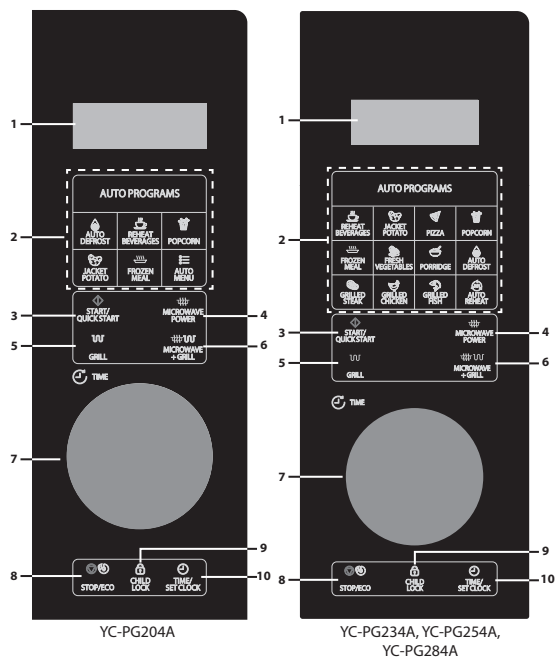
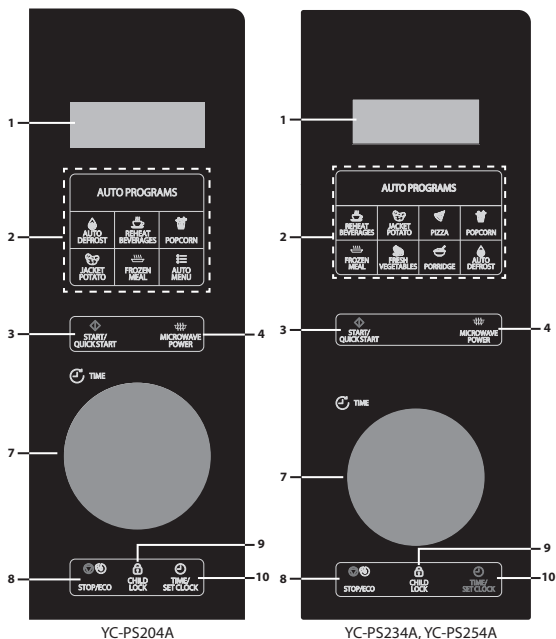
UWAGI:

- Po przygotowaniu tłustych potraw bez użycia osłony zawsze dokładnie wyczyść komorę operacyjną – musi być ona sucha i wolna od tłuszczu. Nagromadzony tłuszcz może spowodować przegrzanie, dymienie, a nawet pożar.
- Podczas gotowania w kuchenie mikrofalowej naczynia kuchenne należy zawsze umieszczać na talerzu obrotowym.
- NIE WOLNO stosować rusztu grilla podczas procesu wykorzystującego wyłącznie funkcję gotowania mikrofalami.

⚠ OSTRZEŻENIE: Ten symbol oznacza, że ścianki kuchenki bardzo się nagrzewają. Drzwiczki, obudowa, komora operacyjna, elementy wyposażenia i naczynia bardzo silnie się nagrzewają podczas pracy kuchenki. Wyjmując naczynia i talerz obrotowy z kuchenki należy chwycić je przez grube rękawice, żeby zapobiec poparzeniom.

PANEL STEROWANIA

- WYŚWIETLACZ** – Wyświetlany jest czas trwania procesu, poziom mocy, wskaźniki i aktualna godzina.
- Przyciski **AUTOMATYCZNEGO GOTOWANIA** – Naciśnij, aby wybrać program automatycznego gotowania (patrz strona 19, aby uzyskać porady dotyczące użytkowania).
- Przycisk **START/QUICK START** – (strona 18).
- Przycisk **MICROWAVE POWER** – Naciśnij, aby wybrać poziom mocy mikrofal (strona 17).
- Przycisk **GRILL** – Naciśnij, aby ustawić program pracy z grillem (strona 18).
- Przycisk **MICROWAVE+GRILL** – Naciśnij, aby ustawić program pracy kombinowanej z grillem (strona 18).
- POKRĘTŁO JOG** – Obracaj w prawo lub lewo, aby ustawić różne funkcje.
- Przycisk **STOP/ECO** – Naciśnij jeden raz, aby tymczasowo przerwać pracę kuchenki, albo naciśnij dwa razy, aby całkowicie anulować proces. Wykorzystaj do ustawienia trybu oszczędzania energii (strona 23).
- Przycisk **CHILD LOCK** – (strona 24).
- Przycisk **TIME/SET CLOCK** – Wykorzystaj do ustawienia godziny. Użyj do ustawienia funkcji timera (strona 16).



PRZED PIERWSZYM UŻYCIEM KUCENKI

Po pierwszym podłączeniu kuchenki do zasilania zostanie wyemitowany sygnał dźwiękowy, a na wyświetlaczu pojawi się wskazanie „1:00”. Należy pamiętać, że zegar nie musi zostać ustawiony, aby kuchenka działała prawidłowo. Aby ustawić zegar, należy postępować zgodnie ze wskazówkami podanymi w sekcji „**Ustawienie zegara**” w niniejszej instrukcji obsługi.

Jeśli kuchenka jest nowa, przy pierwszym użyciu grilla zostaną wydzielone dym i zapachy. Aby uniknąć takiej sytuacji podczas przygotowania potraw, należy uruchomić kuchenkę bez żywności na 20 minut w trybie z grillem.

- Po otwarciu i zamknięciu drzwiczek kuchenka przełączy się do trybu czuwania. Jeśli nie zostanie naciśnięty żaden przycisk przez jedną minutę, wyświetlacz pozostanie włączony, a przyciski nie będą działać. Aby ponownie przełączyć kuchenkę do trybu czuwania, należy otworzyć i zamknąć drzwiczki.
- Jeśli podczas procesu naciśniesz jeden raz przycisk **STOP/ECO**, cykl gotowania zostanie wstrzymany. Aby wznowić proces, naciśnij przycisk **START/QUICK START**. Jeśli dwa razy naciśniesz przycisk **STOP/ECO**, proces zostanie anulowany.
- Po zaprogramowaniu danej funkcji i przerwie między naciśnięciem przycisków trwającej ponad 30 sekund kuchenka powróci do trybu czuwania.
- Po zakończeniu cyklu gotowania na wyświetlaczu pojawi się napis „**End**” i co dwie minuty będzie emitowany sygnał dźwiękowy do chwili naciśnięcia przycisku lub otwarcia drzwiczek.

USTAWIENIE ZEGARA

Opisywana kuchenka została wyposażona w zegar, który można ustawić w formacie 12- lub 24-godzinnym. Aby ustawić zegar, należy postępować zgodnie ze wskazówkami podanymi poniżej:

1. W trybie czuwania naciśnij i przytrzymaj przycisk **TIME/SET CLOCK** przez co najmniej trzy 3 sekundy, aby przejść do trybu ustawienia zegara.
 2. Naciśnij przycisk **TIME/SET CLOCK**, aby ustawić format 12- lub 24-godzinnym.
 3. Obróć **POKRĘTŁO JOG**, aby ustawić godzinę. Naciśnij przycisk **TIME/SET CLOCK**, aby zapamiętać.
 4. Obróć **POKRĘTŁO JOG**, aby ustawić minuty. Naciśnij przycisk **TIME/SET CLOCK**, aby zapamiętać i zakończyć tryb ustawienia zegara.
- Nie jest konieczne ustawienie zegara, aby kuchenka działała normalnie.
 - W trybie gotowania naciśnij przycisk **TIME/SET CLOCK**, aby sprawdzić aktualną godzinę (jeśli została ustawiona). Po pięciu sekundach wskazanie zmieni się z powrotem na odliczanie czasu gotowania. Należy pamiętać, że nie można wyświetlić aktualnej godziny, jeśli zostanie ustawiony timer kuchenny.

TRYB PRACY Z MIKROFALAMI

Aby skorzystać z funkcji gotowania mikrofalami, należy postępować zgodnie ze wskazówkami podanymi poniżej:

1. W trybie czuwania naciśnij przycisk **MICROWAVE POWER**, aby wybrać poziom mocy mikrofal. Po każdym naciśnięciu przycisku wyświetlacz pokazuje poziom mocy mikrofal.
2. Po wyborzeżądanego poziomu mocy mikrofal obróć **POKRĘTŁO JOG**, aby ustawić czas trwania procesu.
3. Naciśnij przycisk **START/QUICK START**, aby rozpocząć proces.
4. Po zakończeniu cyklu gotowania na wyświetlaczu pojawi się napis „End” i co dwie minuty będzie emitowany sygnał dźwiękowy do chwili naciśnięcia przycisku lub otwarcia drzwiczek.

Należy pamiętać, że tabela ma charakter orientacyjny. Opisywana kuchenka posiada 10 poziomów mocy mikrofal: 10%, 20%, 30%, 40%, 50%, 60%, 70%, 80%, 90% i 100%. Rzeczywistą moc wyjściową można obliczyć mnożąc moc mikrofal przez procenty.

Wskazówki dotyczące gotowania przy użyciu mikrofal:

Wskazanie na wyświetlaczu	Poziom mocy mikrofal	Sugerowany sposób użycia
P-100	100%	Należy stosować podczas szybkiego gotowania lub podgrzewania potraw, np. duszonego mięsa, gorących płynów, warzyw itp.
P-80	80%	Należy stosować do gęstych potraw, które wymagają długiego czasu gotowania w przypadku gotowania tradycyjnego, na przykład dań z wołowiny. Użycie tego poziomu mocy mikrofal jest wskazane, żeby mięso było miękkie.
P-60	60%	Należy stosować podczas dłuższego gotowania gęstych potraw (np. pieczeni, klopsów i potraw w panierce) oraz delikatnych dań, na przykład sosu serowego czy pulchnego ciasta.
P-40	40%	Służy do rozmrażania. Wybierz to ustawienie, żeby zapewnić równomierne rozmrożenie dania. Jest ono również idealne w przypadku gotowanego ryżu, makaronu, knedli i słodkiego sosu z gotowanych jajek z dodatkiem mąki.
P-20	20%	Służy do łagodnego rozmrażania, na przykład tortu lub ciasta z kremem.

- Podczas trwania procesu można sprawdzić poziom mocy naciskając i przytrzymując przycisk **MICROWAVE POWER**.
- Najdłuższy czas możliwy do ustawienia wynosi 95 minut.

SZYBKI START

Jeśli chcesz przygotowywać potrawę przy poziomie mocy mikrofal 100%, po prostu w trybie czuwania naciśnij przycisk **START/QUICK START** na **POKRĘTLE JOG**. Każde naciśnięcie przycisku **START/QUICK START** powoduje zwiększenie czasu trwania procesu o 30 sekund.

TRYB PRACY Z GRILLEM*

Element grzejny grilla zamontowany nad komorą operacyjną kuchenki ma tylko jedno ustawienie mocy, jest wydajny i ekonomiczny. Tryb grilla jest doskonały do przygotowywania bekonu, steków wieprzowych, paluszków rybnych i bułeczek z rodzynekami.

Skorzystaj z ruszta grilla podczas grillowania jedzenia o małych rozmiarach, takich jak bekon i kielbaski, upływie połowy czasu grillowania przewróć na drugą stronę. Jedzenie można umieszczać bezpośrednio na ruszcie lub na ustawionym na nim naczyniu żaroodpornym. Pod rusztem należy umieścić odpowiednią tacę, ponieważ tłuszcz lub olej może kapać z przygotowywanej potrawy.

Do przyrumienienia i nadania kruchości powierzchni potrawy w naczyniu żaroodpornym można użyć ruszta grilla, jeśli naczynie jest dostatecznie płytke. Jednak zaleca się umieszczanie tego rodzaju naczyń bezpośrednio na talerzu obrotowym, aby zapewnić trochę więcej czasu na przyrumienienie i nadanie kruchości zgodnie z życzeniem. Nie jest możliwe użycie ruszta grilla do grillowania.

Aby skorzystać z trybu grilla, należy postępować zgodnie ze wskazówkami podanymi poniżej:

1. W trybie czuwania naciśnij przycisk **GRILL**, aby wybrać tryb pracy z grillem. Na wyświetlaczu pojawi się napis „Grill”
2. Obróć **POKRĘTŁO JOG**, aby ustawić czas przygotowania potrawy.
3. Naciśnij przycisk **START/QUICK START**, aby rozpocząć proces.
4. Po zakończeniu cyklu gotowania na wyświetlaczu pojawi się napis „End” i co dwie minuty będzie emitowany sygnał dźwiękowy do chwili naciśnięcia przycisku lub otwarcia drzwiczek.

* - Dotyczy wyłącznie modeli z funkcją grilla.

GOTOWANIE PRZY UŻYCIU MIKROFAL I GRILLA*

Wykorzystanie trybu mikrofal i grilla umożliwiają szybkie przyrumienianie i gotowanie potraw. Aby korzystać z trybu mikrofal i grilla, należy postępować zgodnie ze wskazówkami podanymi poniżej:

1. W trybie czuwania naciśnij jeden lub dwa razy przycisk **MICROWAVE+GRILL**, aby wybrać opcję „Co-1” lub „Co-2”.
2. Obróć **POKRĘTŁO JOG**, aby ustawić czas trwania procesu.
3. Naciśnij przycisk **START/QUICK START**, aby rozpocząć gotowanie.
4. Po zakończeniu cyklu gotowania na wyświetlaczu pojawi się napis „End” i co dwie minuty będzie emitowany sygnał dźwiękowy do chwili naciśnięcia przycisku lub otwarcia drzwiczek.

Tryb pracy z mikrofalami i grillem

Wskazanie na wyświetlaczu	Moc	Sugerowany sposób użycia
Co-1	Przez 70% czasu gotowania wykorzystywany jest grill, a przez 30% czasu używane są mikrofałe	Części kurczaka, piersi kurczaka, kotlety wieprzowe
Co-2	Przez 56% czasu gotowania wykorzystywany jest grill, a przez 44% czasu używane są mikrofałe	Cały kurczak

- Maksymalny czas gotowania z wykorzystaniem grilla wynosi 95 minut.
- Podczas grillowania należy otworzyć okno lub włączyć wyciąg kuchenny, żeby zapewnić prawidłowe odprowadzanie dymu i zapachów. Jest to zjawisko normalne i nie świadczy o uszkodzeniu kuchenki.
- Podczas trwania procesu można sprawdzić aktualny poziom mocy w trybie pracy kombinowanej naciskając przycisk **MICROWAVE + GRILL**.
- Podczas korzystania z trybu grilla – element grzejny grilla będzie się włączał i wyłączał w regularnych odstępach czasu, aby zapobiec przegraniu.
- Podczas GOTOWANIA PRZY UŻYCIU MIKROFAL I GRILLA potrawę w odpowiednim naczyniu można umieścić bezpośrednio na talerzu obrotowym w kuchence lub na dostarczonym w zestawie ruszcie grilla.

OSTRZEŻENIE: Drzwiczki, obudowa, komora operacyjna, elementy wyposażenia i naczynia bardzo silnie się nagrzewają podczas pracy kuchenki. Wyjmując naczynia i talerz obrotowy z kuchenki należy chwycić je przez grube rękawice, żeby zapobiec poparzeniom.

* - Dotyczy wyłącznie modeli z funkcją grilla.

PROGRAMY AUTOMATYCZNEGO GOTOWANIA

Dla wygody programy automatycznego gotowania umożliwiają szybkie i skuteczne przygotowanie potraw za pomocą zaledwie kilku naciśnień przycisków. Nie jest konieczne programowanie czasu trwania procesu ani poziomu mocy. Wystarczy nacisnąć odpowiedni przycisk programu automatycznego gotowania, wprowadzić masę/iłóżkę sztuk obracając **POKRĘTŁO JOG**, a następnie nacisnąć przycisk START/QUICK START.

Przykład: Gotowanie dwóch ziemniaków w mundurkach.

1. Otwórz drzwiczki i umieść potrawę wewnątrz kuchenki, w naczyniu odpowiednim do ustawionego cyklu gotowania.
2. Zamknij drzwiczki.
3. Naciśnij jeden raz przycisk **JACKET POTATO**.
4. Obróć **POKRĘTŁO JOG**, aby wprowadzić liczbę ziemniaków.
5. Naciśnij przycisk **START/QUICK START**.
6. Po zakończeniu cyklu gotowania na wyświetlaczu pojawi się napis „End” i co dwie minuty będzie emitowany sygnał dźwiękowy do chwili naciśnięcia przycisku lub otwarcia drzwiczek.

Programy automatycznego gotowania:

Programy automatyczne	Rozmiar/masa
Frozen Meal (zamrożone potrawy) Auto Defrost (automatyczne rozmrażanie) Auto Reheat (automatyczne podgrzewanie)	Wybierz masę obracając POKRĘTŁO JOG . Frozen Meal i Auto reheat (od 200 do 800 g), Auto Defrost (od 100 do 1800 g)
Reheat Beverages (podgrzewanie napojów)	Wybierz liczbę filiżanek (200 ml każda) obracając POKRĘTŁO JOG . Od 1 do 3 filiżanek.
Jacket Potato (ziemniaki w mundurkach)	Wybierz liczbę ziemniaków (230 g każdy) obracając POKRĘTŁO JOG . Od 1 do 2 ziemniaków.
Pizza	Wybierz masę pizzy (150 g / 300 g / 450 g) obracając POKRĘTŁO JOG .
Prażona kukurydza	Wybierz liczbę opakowań popcornu (100 g każde) obracając POKRĘTŁO JOG .
Fresh Vegetables (świeże warzywa)	Wybierz masę warzyw (od 200 do 600 g) obracając POKRĘTŁO JOG .
Porridge (płatki owsiane)	Wybierz masę płatków owsianych (gramy) obracając POKRĘTŁO JOG . Od 50 do 150 g.
Grilled Steak (grillowane zrazy; dotyczy wyłącznie modeli z funkcją grilla)	Wybierz masę steku (od 200 do 600 g) obracając POKRĘTŁO JOG .
Grilled Chicken (grillowany kurczak; dotyczy wyłącznie modeli z funkcją grilla)	Wybierz masę kurczaka (od 200 do 600 g) obracając POKRĘTŁO JOG .
Grilled Fish (grillowana ryba; dotyczy wyłącznie modeli z funkcją grilla)	Wybierz masę ryby (od 200 do 600 g) obracając POKRĘTŁO JOG .

- Rezultaty zastosowania funkcji automatycznego gotowania zależą od różnych czynników, takich jak kształt i rozmiary potrawy, osobiste preferencje odnośnie stopnia wysmażenia niektórych potraw oraz sposób umieszczania potraw w kuchence. Jeśli wynik gotowanie nie jest zadowalający, dostosuj czas gotowania do swoich potrzeb.

Uwaga: Przycisk Auto Menu jest wyłącznie dostępny w modelach YC-PG204A i YC-PS204A . Każde naciśnięcie przycisku Auto Menu powoduje wybór kolejnego programu wymienionego w tabeli powyżej. Po wybraniu odpowiedniego programu należy użyć **POKRĘTŁO JOG**, żeby ustawić odpowiednią masę podgrzewanej potrawy.

Opis programów automatycznych

Produkt	Ilość	Temperatura początkowa	Metody gotowania
Podgrzewanie napojów	Od 1 do 3 filizanek 1 filizanka = 200 ml	Temperatura otoczenia	<ol style="list-style-type: none"> Umieść napój przeznaczony do podgrzania na środku szklanego talerza obrotowego kuchni mikrofalowej. Zamknij drzwiczki i naciśnij przycisk REHEAT BEVERAGES, a następnie wybierz ilość filizanek obracając POKRĘTŁO JOG. Naciśnij przycisk START/QUICK START, aby rozpocząć proces. Po zatrzymaniu timera wyjmij napój. Zachowaj ostrożność, ponieważ napój będzie gorący.
Ziemniaki w mundurkach	Od 1 do 2 ziemniaków 1 ziemniak = 230 ±10 g	Temperatura otoczenia	<ol style="list-style-type: none"> Umij i osusz ziemniaki, a następnie nakłuj powierzchnię ziemniaków kilka razy widelcem. Umieść ziemniaki na środku szklanego talerza obrotowego kuchni mikrofalowej. Zamknij drzwiczki i naciśnij przycisk JACKET POTATO, a następnie wybierz ilość ziemniaków obracając POKRĘTŁO JOG. Naciśnij przycisk START/QUICK START, aby rozpocząć proces. Po zatrzymaniu timera wyjmij ziemniaki z kuchni mikrofalowej. Zachowaj ostrożność, ponieważ potrawa będzie gorąca.
Pizza	Od 150 do 450 g	Produkt zamrożony do temperatury -18°C	<ol style="list-style-type: none"> Umieść pizzę na talerzu przeznaczonym do kuchenek mikrofalowych i ustaw go na środku szklanego talerza obrotowego kuchni mikrofalowej. Zamknij drzwiczki i naciśnij przycisk PIZZA, a następnie wybierz masę obracając POKRĘTŁO JOG. Naciśnij przycisk START/QUICK START, aby rozpocząć proces. Po zatrzymaniu timera wyjmij pizzę z kuchni mikrofalowej. Zachowaj ostrożność, ponieważ potrawa będzie gorąca.
Prażona kukurydza	100 g	Temperatura otoczenia	<ol style="list-style-type: none"> Umieść popcorn na środku szklanego talerza obrotowego kuchni mikrofalowej. Zamknij drzwiczki i naciśnij przycisk POPCORN. Naciśnij przycisk START/QUICK START, aby rozpocząć proces. Po zatrzymaniu timera wyjmij popcorn z kuchni mikrofalowej. Zachowaj ostrożność, ponieważ potrawa będzie gorąca.
Zamrożone potrawy	Od 200 do 800 g	Produkt zamrożony do temperatury -18°C	<ol style="list-style-type: none"> Włóż zamrożoną potrawę do naczynia żaroodpornego i nakryj folią plastikową; nakłuj folię plastikową w kilku miejscach. Ustaw naczynie na środku szklanego talerza obrotowego kuchni mikrofalowej. Zamknij drzwiczki i naciśnij przycisk FROZEN MEAL, a następnie wybierz masę obracając POKRĘTŁO JOG. Naciśnij przycisk START/QUICK START, aby rozpocząć proces. Po zatrzymaniu timera wyjmij potrawę i podaj. Zachowaj ostrożność, ponieważ potrawa będzie gorąca.
Świeże warzywa	Od 200 do 600 g	Temperatura otoczenia	<ol style="list-style-type: none"> Umij i pokrój warzywa na małe kawałki o długości 25–30 mm i grubości 10 mm. Włóż pokrojone warzywa do żaroodpornej miski ceramicznej i nakryj folią plastikową; nakłuj folię plastikową w kilku miejscach. Ustaw miskę na środku szklanego talerza obrotowego kuchni mikrofalowej. Zamknij drzwiczki i naciśnij przycisk FRESH VEGETABLES, a następnie wybierz masę obracając POKRĘTŁO JOG. Naciśnij przycisk START/QUICK START, aby rozpocząć proces. Po zatrzymaniu timera wyjmij potrawę i podaj. Zachowaj ostrożność, ponieważ potrawa będzie gorąca.
Płatki owsiane	Od 50 do 150 g	Temperatura otoczenia	<ol style="list-style-type: none"> W misce wymieszaj płatki owsiane z mlekiem. Sugerujemy użycie 180 ml mleka na 50 g płatków owsianych. Ustaw miskę na środku szklanego talerza obrotowego kuchni mikrofalowej. Zamknij drzwiczki i naciśnij przycisk PORRIDGE, a następnie wybierz masę obracając POKRĘTŁO JOG. Naciśnij przycisk START/QUICK START, aby rozpocząć proces. Po zatrzymaniu timera wyjmij potrawę i podaj.
Automatyczne podgrzewanie	Od 200 do 800 g	Produkt schłodzony do temperatury 5°C	<ol style="list-style-type: none"> Włóż zimny ryż lub makaron do żaroodpornej miski ceramicznej i nakryj folią plastikową; nakłuj folię plastikową w kilku miejscach. Ustaw miskę na środku szklanego talerza obrotowego kuchni mikrofalowej. Zamknij drzwiczki i naciśnij przycisk AUTO REHEAT, a następnie wybierz masę obracając POKRĘTŁO JOG. Naciśnij przycisk START/QUICK START, aby rozpocząć proces. Po zatrzymaniu timera wyjmij potrawę i podaj.
Grillowane zrazy	Od 200 do 600 g	Temperatura otoczenia	<ol style="list-style-type: none"> Rozłóż równomiernie zrazy na ruszcie grilla wyłożonym papierem do pieczenia. Ustaw ruszt grilla na środku szklanego talerza obrotowego kuchni mikrofalowej. Zamknij drzwiczki i naciśnij przycisk GRILLED STEAK, a następnie wybierz masę obracając POKRĘTŁO JOG. Naciśnij przycisk START/QUICK START, aby rozpocząć proces. Po upływie dwóch trzecich czasu trwania procesu otwórz drzwiczki, aby obrócić potrawę na drugą stronę, a następnie zamknij drzwiczki, aby kontynuować przygotowanie potrawy. Po zatrzymaniu timera wyjmij potrawę i podaj. Zachowaj ostrożność, ponieważ potrawa i naczynia będą gorące.
Grillowane części kurczaka	Od 200 do 600 g	Temperatura otoczenia	<ol style="list-style-type: none"> Rozłóż równomiernie kawałki kurczaka na ruszcie grilla wyłożonym papierem do pieczenia. Ustaw ruszt grilla na środku szklanego talerza obrotowego kuchni mikrofalowej. Zamknij drzwiczki i naciśnij przycisk GRILLED CHICKEN, a następnie wybierz masę obracając POKRĘTŁO JOG. Naciśnij przycisk START/QUICK START, aby rozpocząć proces. Po upływie dwóch trzecich czasu trwania procesu otwórz drzwiczki, aby obrócić potrawę na drugą stronę, a następnie zamknij drzwiczki, aby kontynuować przygotowanie potrawy. Po zatrzymaniu timera wyjmij potrawę i podaj. Zachowaj ostrożność, ponieważ potrawa i naczynia będą gorące.
Grillowane kawałki ryby	Od 100 do 500 g	Temperatura otoczenia	<ol style="list-style-type: none"> Rozłóż równomiernie kawałki ryby na ruszcie grilla wyłożonym papierem do pieczenia. Ustaw ruszt grilla na środku szklanego talerza obrotowego kuchni mikrofalowej. Zamknij drzwiczki i naciśnij przycisk GRILLED FISH, a następnie wybierz masę obracając POKRĘTŁO JOG. Naciśnij przycisk START/QUICK START, aby rozpocząć proces. Po upływie dwóch trzecich czasu trwania procesu otwórz drzwiczki, aby obrócić potrawę na drugą stronę, a następnie zamknij drzwiczki, aby kontynuować przygotowanie potrawy. Po zatrzymaniu timera wyjmij potrawę i podaj. Zachowaj ostrożność, ponieważ potrawa i naczynia będą gorące.

Uwaga	Tryb pracy kuchenki i zastosowana metoda	YC-PS204A	YC-PS234A i YC-PS234A	YC-PG204A	YC-PG234A, YC-PG254A i YC-PG284A
	Tylko tryb pracy z mikrofalami przy poziomie mocy 100%	1 filizanka: 1:40 minut 2 filizanki: 3:00 minut 3 filizanki: 4:20 minut	1 filizanka: 1:30 minut 2 filizanki: 2:40 minut 3 filizanki: 3:50 minut	1 filizanka: 1:40 minut 2 filizanki: 3:00 minut 3 filizanki: 4:20 minut	1 filizanka: 1:30 minut 2 filizanki: 2:40 minut 3 filizanki: 3:50 minut
	Tylko tryb pracy z mikrofalami przy poziomie mocy 100%	1 ziemniak: 6:00 minut 2 ziemniaki: 9:00 minut 3 ziemniaki: 13:00 minut	1 ziemniak: 5:00 minut 2 ziemniaki: 8:00 minut 3 ziemniaki: 12:00 minut	1 ziemniak: 6:00 minut 2 ziemniaki: 9:00 minut 3 ziemniaki: 13:00 minut	1 ziemniak: 5:00 minut 2 ziemniaki: 8:00 minut 3 ziemniaki: 12:00 minut
W przypadku modeli YC-PS204A i YC-PG204A należy nacisnąć przycisk AUTO MENU, dopóki nie wyświetli się żądany program.	Tylko tryb pracy z mikrofalami przy poziomie mocy 100%	150 g: 1:00 minut 300 g: 1:30 minut 450 g: 2:00 minut	150 g: 0:50 minut 300 g: 1:20 minut 450 g: 1:50 minut	150 g: 1:00 minut 300 g: 1:30 minut 450 g: 2:00 minut	150 g: 0:50 minut 300 g: 1:20 minut 450 g: 1:50 minut
	Tylko tryb pracy z mikrofalami przy poziomie mocy 100%	100 g: 3:00 minut	100 g: 2:00 minut	100 g: 3:00 minut	100 g: 2:30 minut
	Tryb pracy z mikrofalami przy poziomie mocy 100% przez 1/2 czasu, następnie przy poziomie mocy 0% przez 1/6 czasu i na koniec przy poziomie mocy 100% przez 1/3 czasu	200 g: 8:00 minut 400 g: 11:00 minut 600 g: 15:00 minut 800 g: 18:00 minut	200 g: 6:00 minut 400 g: 9:00 minut 600 g: 13:00 minut 800 g: 16:00 minut	200 g: 8:00 minut 400 g: 11:00 minut 600 g: 15:00 minut 800 g: 18:00 minut	200 g: 6:00 minut 400 g: 9:00 minut 600 g: 13:00 minut 800 g: 16:00 minut
W przypadku modeli YC-PS204A i YC-PG204A należy nacisnąć przycisk AUTO MENU, dopóki nie wyświetli się żądany program.	Tylko tryb pracy z mikrofalami przy poziomie mocy 100%	200 g: 3:30 minut 300 g: 4:30 minut 400 g: 5:30 minut 500 g: 6:30 minut 600 g: 7:30 minut	200 g: 3:00 minut 300 g: 4:00 minut 400 g: 5:00 minut 500 g: 6:00 minut 600 g: 7:00 minut	200 g: 3:30 minut 300 g: 4:30 minut 400 g: 5:30 minut 500 g: 6:30 minut 600 g: 7:30 minut	200 g: 3:00 minut 300 g: 4:00 minut 400 g: 5:00 minut 500 g: 6:00 minut 600 g: 7:00 minut
W przypadku modeli YC-PS204A i YC-PG204A należy nacisnąć przycisk AUTO MENU, dopóki nie wyświetli się żądany program.	Tryb pracy z mikrofalami przy poziomie mocy 100%	50 g: 2:00 minut 100 g: 3:30 minut 150 g: 5:30 minut	50 g: 2:00 minut 100 g: 3:30 minut 150 g: 5:30 minut	50 g: 2:00 minut 100 g: 3:30 minut 150 g: 5:30 minut	50 g: 2:00 minut 100 g: 3:30 minut 150 g: 5:30 minut
W przypadku modeli YC-PG204A należy nacisnąć przycisk AUTO MENU, dopóki nie wyświetli się żądany program.	Tylko tryb pracy z mikrofalami przy poziomie mocy 100%	200 g: 2:00 minut 300 g: 2:40 minut 400 g: 3:20 minut 500 g: 4:00 minut 600 g: 4:40 minut 700 g: 5:20 minut 800 g: 6:00 minut	200 g: 1:30 minut 300 g: 2:00 minut 400 g: 2:30 minut 500 g: 3:00 minut 600 g: 3:30 minut 700 g: 4:00 minut 800 g: 4:30 minut	200 g: 2:00 minut 300 g: 2:40 minut 400 g: 3:20 minut 500 g: 4:00 minut 600 g: 4:40 minut 700 g: 5:20 minut 800 g: 6:00 minut	200 g: 1:30 minut 300 g: 2:00 minut 400 g: 2:30 minut 500 g: 3:00 minut 600 g: 3:30 minut 700 g: 4:00 minut 800 g: 4:30 minut
W przypadku modeli YC-PG204A należy nacisnąć przycisk AUTO MENU, dopóki nie wyświetli się żądany program.	Kuchenka mikrofalowa działa w trybie pracy z mikrofalami przy poziomie mocy 100% przez 10 sekund, a następnie w trybie grilla przez 23 sekundy. Ten cykl powtarza się aż do upływu czasu trwania procesu. Kuchenka nigdy nie działa w trybie mikrofal i grilla równocześnie.	N/D	N/D	200 g: 15:00 minut 300 g: 18:00 minut 400 g: 21:00 minut 500 g: 24:00 minut 600 g: 27:00 minut	200 g: 15:00 minut 300 g: 18:00 minut 400 g: 21:00 minut 500 g: 24:00 minut 600 g: 27:00 minut
W przypadku modeli YC-PG204A należy nacisnąć przycisk AUTO MENU, dopóki nie wyświetli się żądany program.	Kuchenka mikrofalowa działa w trybie pracy z mikrofalami przy poziomie mocy 100% przez 10 sekund, a następnie w trybie grilla przez 23 sekundy. Ten cykl powtarza się aż do upływu czasu trwania procesu. Kuchenka nigdy nie działa w trybie mikrofal i grilla równocześnie.	N/D	N/D	200 g: 15:00 minut 300 g: 18:00 minut 400 g: 21:00 minut 500 g: 24:00 minut 600 g: 27:00 minut	200 g: 15:00 minut 300 g: 18:00 minut 400 g: 21:00 minut 500 g: 24:00 minut 600 g: 27:00 minut
W przypadku modeli YC-PG204A należy nacisnąć przycisk AUTO MENU, dopóki nie wyświetli się żądany program.	Kuchenka mikrofalowa działa w trybie pracy z mikrofalami przy poziomie mocy 100% przez 10 sekund, a następnie w trybie grilla przez 23 sekundy. Ten cykl powtarza się aż do upływu czasu trwania procesu. Kuchenka nigdy nie działa w trybie mikrofal i grilla równocześnie.	N/D	N/D	100 g: 12:00 minut 200 g: 15:00 minut 300 g: 18:00 minut 400 g: 21:00 minut 500 g: 24:00 minut	100 g: 12:00 minut 200 g: 15:00 minut 300 g: 18:00 minut 400 g: 21:00 minut 500 g: 24:00 minut

AUTOMATYCZNE ROZMRAŻANIE

Automatyczne rozmrażanie umożliwia rozmrażanie żywności według masy. Czas rozmrażania i poziom mocy są ustawiane automatycznie po zaprogramowaniu kategorii i masy potrawy. Zakres wagowy zamrożonych potraw: od 100 do 1800 g.

1. W trybie czuwania naciśnij przycisk **AUTO DEFROST**.
2. Obróć **POKRĘTŁO JOG**, aby wybrać masę produktu, który chcesz rozmrozić.
3. Naciśnij przycisk **START/QUICK START**, aby rozpocząć rozmrażanie.
4. Jeśli kuchenka wstrzyma pracę podczas cyklu rozmrażania, obróć produkt na drugą stronę, aby zapewnić równomierne rozmrażanie. Następnie naciśnij przycisk **START/QUICK START**, aby kontynuować rozmrażanie przez pozostały czas.
5. Po zakończeniu cyklu gotowania na wyświetlaczu pojawi się napis „End” i co dwie minuty będzie emitowany sygnał dźwiękowy do chwili naciśnięcia przycisku lub otwarcia drzwiczek.

Automatyczne rozmrażanie – obsługa

Model	Zakres wagowy	Zakres czasu rozmrażania	Proces rozmrażania	Sposób
YC-PG204A	Od 100 do 1800 g	Od 5,5 do 39,5 minut	Kuchenka działa w trybie rozmrażania przy poziomie mocy mikrofal 40% przez 1/3 czasu, następnie przy poziomie mocy mikrofal 20% przez 1/3 czasu i poinformuje o konieczności obrócenia potrawy. Po obróceniu potrawy przez pozostały czas kuchenka działa w trybie rozmrażania przy poziomie mocy mikrofal 20%.	<ol style="list-style-type: none"> 1. Włóż zamrożoną potrawę do naczynia żaroodpornego i nakryj folią plastikową; nakłuj folię plastikową w kilku miejscach. 2. Ustaw naczynie na środku szklanego talerza obrotowego kuchenki mikrofalowej. 3. Zamknij drzwiczki i naciśnij przycisk AUTO DEFROST, a następnie wybierz masę obracając POKRĘTŁO JOG. 4. Naciśnij przycisk START/SZYBKI START, aby rozpocząć rozmrażanie. 5. W połowie cyklu rozmrażania kuchenka przerwie proces i poinformuje o konieczności obrócenia potrawy. 6. Otwórz drzwiczki i przewróć na drugą stronę/przełóż potrawę. Zamknij drzwiczki. 7. Naciśnij przycisk START/SZYBKI START, aby kontynuować rozmrażanie. 8. Po zatrzymaniu timera wyjmij potrawę z kuchenki. Sprawdź, czy została całkowicie rozmrożona.
YC-PG204A	Od 100 do 1800 g	Od 5 do 39 minut	Kuchenka działa w trybie pracy z mikrofalami przy poziomie mocy 20% przez połowę czasu trwania procesu i poinformuje o konieczności obrócenia potrawy. Przez pozostały czas kuchenka działa w trybie pracy z mikrofalami przy poziomie mocy 20%.	
YC-PS234A i YC-PG234A	Od 100 do 1800 g	Od 5,5 do 39,5 minut	Kuchenka działa w trybie rozmrażania przy poziomie mocy mikrofal 30% przez 1/3 czasu, następnie przy poziomie mocy mikrofal 20% przez 1/3 czasu i poinformuje o konieczności obrócenia potrawy. Po obróceniu potrawy przez pozostały czas kuchenka działa w trybie rozmrażania przy poziomie mocy mikrofal 20%.	
YC-PS254A, YC-PG254A i YC-PG284A	Od 100 do 1800 g	Od 3 do 37 minut	Kuchenka działa w trybie rozmrażania przy poziomie mocy mikrofal 30% przez 1/3 czasu, następnie przy poziomie mocy mikrofal 20% przez 1/3 czasu i poinformuje o konieczności obrócenia potrawy. Po obróceniu potrawy przez pozostały czas kuchenka działa w trybie rozmrażania przy poziomie mocy mikrofal 20%.	

AUTOMATYCZNE PODGRZEWANIE*

Kuchenka umożliwia podgrzewanie potraw według masy wprowadzonej przez użytkownika. Czas podgrzewania i poziom mocy są ustawiane automatycznie po zaprogramowaniu kategorii i masy potrawy.

Zakres wagowy podgrzewanych potraw: od 100 do 800 g.

1. W trybie czuwania naciśnij przycisk **AUTO REHEAT**.
2. Obróć **POKRĘTŁO JOG**, aby wybrać masę potrawy, którą chcesz podgrzać.
3. Naciśnij przycisk **START/QUICK START**.
4. Po zakończeniu cyklu gotowania na wyświetlaczu pojawi się napis „End” i co dwie minuty będzie emitowany sygnał dźwiękowy do chwili naciśnięcia przycisku lub otwarcia drzwiczek.

* - Dotyczy wyłącznie modeli z funkcją grilla.

TIMER KUCHENNY

Kuchenka jest wyposażona w timer kuchenny, który odlicza czas trwania procesu.

1. W trybie czuwania naciśnij jeden raz przycisk **TIME/SET CLOCK**.
2. Obróć **POKRĘTŁO JOG**, aby ustawić żądany czas trwania procesu. Najdłuższy czas procesu wynosi 95 minut.
3. Naciśnij przycisk **START/QUICK START**, aby zaakceptować.
4. Na wyświetlaczu rozpocznie się odliczanie czasu trwania procesu.
5. Po upływie ustawionego czasu zostanie wyemitowany sygnał dźwiękowy.

Istnieje możliwość wykorzystania timera kuchennego w trybie gotowania. Aby skorzystać z timera, podczas gotowania należy wykonać poniższe czynności. Po uruchomieniu timera kuchennego pojawi się on na wyświetlaczu na pięć sekund, a następnie wyświetlacz powróci do odliczania pozostałego czasu trwania procesu. Aby ponownie wyświetlić wskazanie timera, naciśnij jeden raz przycisk **TIME/SET CLOCK**. Timer kuchenny wyświetli się na pięć sekund, a następnie wyświetlacz powróci do odliczania pozostałego czasu trwania procesu.

- Aby anulować funkcję **timera**, naciśnij przycisk **STOP/ECO**, a na wyświetlaczu pojawi się aktualna godzina.
- Jeśli cykl gotowania zostanie rozpoczęty, można uruchomić timer kuchenny wykonując poniższe czynności.

TRYB OSZCZĘDZANIA ENERGII

Funkcja umożliwia oszczędzanie energii, gdy kuchenka nie jest używana. Aby włączyć funkcję, w trybie czuwania naciśnij i przytrzymaj przycisk **STOP/ECO** przez trzy sekundy – wyświetlacz wyłączy się, a kuchenka przełączy się do trybu oszczędzania energii.

Aby anulować tryb oszczędzania energii, należy nacisnąć dowolny przycisk lub otworzyć drzwiczki kuchenki.

FUNKCJA WYCISZENIA

Istnieje możliwość wyciszenia wszystkich sygnałów dźwiękowych emitowanych przez kuchenkę mikrofalową za pomocą funkcji wyciszenia. Aby ustawić funkcję wyciszenia, naciśnij jeden raz przycisk **CHILD LOCK**. Na wyświetlaczu pojawi się napis „**OFF**” na pięć sekund. W trybie wyciszenia po naciśnięciu przycisków nie będą emitowane sygnały dźwiękowe.

Aby wyłączyć funkcję wyciszenia, naciśnij raz przycisk **CHILD LOCK**, wyświetlacz pokaże „**on**” przez 5 sekund, co oznacza, że dźwięk został ponownie włączony.

Jeśli funkcja wyciszenia jest ustawiona, a kuchenka zostanie odłączona od sieci elektrycznej, funkcja wyciszenia zostanie anulowana po ponownym podłączeniu do sieci elektrycznej.

BLOKADA PRZYCISKÓW

Jest to automatyczna funkcja zapobiegająca obsłudze kuchenki przez dzieci pozostawione bez nadzoru. Jeśli w ciągu sekundy nie zostanie naciśnięty żaden przycisk w trybie czuwania, kuchenka automatycznie przełączy się do trybu blokady przycisków, a na wyświetlaczu pojawi się napis „**Loc**”. Przy włączonej blokadzie wszystkie przyciski są nieaktywne. Naciśnięcie dowolnego przycisku spowoduje pojawienie się wskaźnika blokady na pięć sekund, przypominając użytkownikowi o konieczności anulowania blokady.

Aby wyłączyć blokadę przycisków wystarczy otworzyć i zamknąć drzwiczki kuchenki. Przyciski zostaną ponownie uaktywnione, a wskaźnik blokady wyłączy się.

BLOKADA RODZICIELSKA

Aby ustawić BLOKADĘ RODZICIELSKĄ, naciśnij i przytrzymaj przycisk **CHILD LOCK** przez trzy sekundy. Kuchenka wyemituje długi sygnał dźwiękowy, a na wyświetlaczu pojawi się napis „**Loc**”. Urządzenie znajduje się w trybie BLOKADY RODZICIELSKIEJ. W tym trybie po naciśnięciu dowolnego przycisku lub otwarciu drzwiczek na wyświetlaczu pojawi się zegar i przez pięć sekund będzie widoczny napis „**Loc**”.

Aby wyłączyć BLOKADĘ RODZICIELSKĄ, naciśnij i przytrzymaj przycisk **CHILD LOCK** przez trzy sekundy, dopóki nie zostanie wyemitowany długi sygnał dźwiękowy.

CZYSZCZENIE I KONSERWACJA

- Przystępując do czyszczenia wyłącz kuchenkę i odłącz wtyczkę przewodu zasilającego od gniazdka elektrycznego w ścianie.
- Wnętrze kuchenki należy utrzymać w czystości. Jeśli resztki potrawy i rozlane płyny przylegają do ścianek, części górnej lub podstawy kuchenki, należy zetrzeć je wilgotną ściereczką. W przypadku silnych zabrudzeń do czyszczenia można użyć łagodnych detergentów. Należy unikać stosowania środków czyszczących w sprayu i środków do szorowania. Mogłoby to doprowadzić do powstania plam, smug lub zmatowienia powierzchni drzwiczek.
- Zewnętrzne powierzchnie kuchenki należy czyścić wilgotną ściereczką. Aby zapobiec uszkodzeniu elementów roboczych wewnątrz urządzenia, nie wolno dopuścić do przedostania się wody do otworów wentylacyjnych.
- Należy regularnie przecierać drzwiczki i szybę po obu stronach, uszczelki drzwiczek i sąsiednie elementy wilgotną ściereczką, aby usunąć wszelkie zachlapania i plamy.
- Nie należy stosować żadnych środków do szorowania.
- Nie wolno stosować odkurzaczy parowych.
- Nie wolno dopuścić do zamoczenia panelu sterowania. Należy go czyścić miękką, wilgotną ściereczką. Podczas czyszczenia panelu sterowania należy pozostawić otwarte drzwiczki kuchenki, aby zapobiec przypadkowemu włączeniu kuchenki.
- Jeśli para gromadzi się wewnątrz lub na zewnątrz drzwiczek kuchenki, należy przetrzeć zaparowane powierzchnie miękką ściereczką. Może się to zdarzyć, jeśli kuchenka pracuje w warunkach wysokiej wilgotności. Nie oznacza to usterki urządzenia.
- Spód, podstawę i gniazdo napędowe talerza obrotowego należy regularnie czyścić, aby uniknąć zanieczyszczenia i potencjalnego iskrzenia/uszkodzenia kuchenki. Wystarczy przetrzeć dolną powierzchnię kuchenki łagodnym detergentem.
- Usuń zapachy z kuchenki szklanką za pomocą roztworu wody z dodatkiem soku z całej cytryny umieszczonego w szklanym naczyniu przeznaczonym do kuchenek mikrofalowych. Gotuj z użyciem mikrofal przez pięć minut. Przetrzyj dokładnie i osusz miękką ściereczką.
- W przypadku uszkodzenia żarówki należy skontaktować się z centrum obsługa klienta w celu uzyskania porady.
- Kuchenkę należy regularnie czyścić i usuwać z niej wszystkie pozostałości jedzenia. Dopuszczenie do nadmiernego zanieczyszczenia kuchenki może spowodować zniszczenie jej ścianek, doprowadzić do jej przedwczesnego zużycia oraz może wywołać sytuacje niebezpieczne.
- Nie wolno usuwać opisywanego urządzenia razem ze zwykłymi odpadkami z gospodarstw domowych; należy zapoznać się z zasadami usuwania tego rodzaju urządzeń obowiązującymi w danym kraju.

PRZYDATNE NACZYNIA

1. Doskonały materiał na naczynia do kuchenki mikrofalowej jest przezroczysty dla mikrofal, umożliwiającą przenikanie energii przez naczynie i podgrzewanie potraw.
2. Mikrofałe nie przenikają przez metale, dlatego nie należy stosować naczyń metalowych ani naczyń z metalowymi wykończeniami.
3. W kuchenke mikrofalowej nie należy stosować produktów z papieru z recyklingu, ponieważ mogą zawierać małe metalowe fragmenty, które mogą spowodować iskrzenie i/lub pożar.
4. Zalecane są naczynia owalne/okrągłe zamiast kwadratowych/prostokątnych, ponieważ żywność w rogach może się nadmiernie zagotowywać.
5. Można stosować wąskie paski z folii aluminiowej, aby zapobiec przegrzaniu odsłoniętych części potrawy. Ale należy zachować ostrożność, aby nie użyć ich zbyt wiele i zachować odległość 2,54 cm między paskami folii a komorą operacyjną.

Poniższa lista podaje ogólne wskazówki, które pozwalają wybrać prawidłowe naczynia.

Naczynia kuchenne	Naczynie przeznaczone do kuchenek mikrofalowych	Grill	Komentarze
Naczynia powodujące rumienienie potraw	✓ / ✗	✗	Zawsze przestrzegaj zaleceń producenta. Nie należy przekraczać podanych czasów nagrzewania. Zachowaj szczególną ostrożność, ponieważ te naczynia mogą się znacznie nagrzewać.
Porcelana i naczynia ceramiczne	✓ / ✗	✗	Porcelana, ceramika, ceramika glazurowana i porcelana kostna są zazwyczaj odpowiednie, z wyjątkiem naczyń posiadających metaliczne ozdoby.
Szklane naczynia żaroodporne	✓	✓	Należy zachować ostrożność, aby wszelkie naczynia szklane mogły być stosowane w kuchence mikrofalowej.
Naczynia szklane nieodporne na ciepło	✗	✗	
Naczynia ceramiczne żaroodporne	✓	✓	Należy upewnić się, że materiał ceramiczny nie jest zbyt gruby ani nie zawiera zbyt wielu minerałów.
Plastikowe naczynia odpowiednie do kuchenek mikrofalowych	✓	✗	Zawsze należy sprawdzać, czy plastikowe naczynia mogą być stosowane w kuchence mikrofalowej.
Papier kuchenny	✓ / ✗	✗	Należy stosować wyłącznie papier kuchenny przeznaczony do kuchenek mikrofalowych.
Naczynia szklane, np Pyrex®	✓ / ✗	✓	Należy zachować szczególną ostrożność przy używaniu delikatnych naczyń szklanych, ponieważ mogą się stłuc lub pęknąć w wyniku nagłego podgrzania.
Metalowe tace	✗	✓	Nie jest zalecane stosowanie metalowych naczyń, ponieważ powodują one wyladowania elektryczne, a co za tym idzie mogą doprowadzić do pożaru.
Metalowe ruszty	✗	✓	Nie jest zalecane stosowanie metalowych naczyń, ponieważ powodują one wyladowania elektryczne, a co za tym idzie mogą doprowadzić do pożaru.
Folia aluminiowa Naczynia z folii	✓ / ✗	✓	Można użyć małych kawałków folii aluminiowej do ochrony potraw przed przegrzaniem. Folia powinna znajdować się przynajmniej 2,54 cm od ścianek kuchenki, ponieważ może dojść do wyladowań. Naczynia foliowe nie są zalecane, o ile wyraźnie nie określił tego producent (np. Microfoil®). Należy przestrzegać dołączonych instrukcji.
Folia plastikowa	✓	✗	Nie należy dotykać potraw i folię należy przekłuć, żeby pozwolić na wydostanie się pary.
Plastik/polistyren, np. naczynia z barów szybkiej obsługi	✓	✗	Należy zachować ostrożność, ponieważ niektóre naczynia mogą się odkształcić, stopić lub stracić kolor przy wysokich temperaturach.
Torby do zamrażania/ pieczenia	✓	✗	Torby należy przekłuć, żeby pozwolić na wydostanie się pary. Upewnij się, że torby nadają się do użycia w kuchence mikrofalowej.
Papierowe talerze, kubki i papier kuchenny	✓	✗	Nie należy ich wiązać materiałami plastikowymi lub metalowymi, ponieważ mogą się stopić lub zapalić w wyniku wyladowań.
Naczynia słomiane i drewniane	✓	✗	Można używać tylko przy podgrzewaniu lub do wchłaniania wilgoci. Należy zachować ostrożność, ponieważ nadmierne podgrzanie może spowodować pożar.
Papier z recyklingu i gazety	✗	✗	Zawsze należy nadzorować kuchenkę podczas korzystania z takich materiałów, ponieważ nadmierne podgrzanie może spowodować pożar. Mogą zawierać skrawki metalu, które mogą powodować wyladowania i wywołać pożar.



OSTRZEŻENIE: Korzystając z plastikowych, papierowych lub innych łatwopalnych pojemników na żywność nigdy nie pozostawiaj urządzenia bez nadzoru.

UWAGA: Nie wolno pozostawiać pracującej kuchenki bez nadzoru.

PORADY DOTYCZĄCE GOTOWANIA PRZY WYKORZYSTANIU MIKROFAL

Gotowanie z wykorzystaniem mikrofal jest szybsze niż tradycyjne metody gotowania. Dlatego konieczne jest przestrzeganie pewnych technik, aby zapewnić dobre rezultaty gotowania. Wiele z poniższych technik jest podobnych do stosowanych w tradycyjnym gotowaniu.



OSTRZEŻENIE: Płynów i potraw nie wolno podgrzewać w zamkniętych słoikach/pojemnikach, ponieważ powstałe wewnątrz ciśnienie może spowodować ich eksplozję.

PORADY DOTYCZĄCE GOTOWANIA:

- Nie odchodź od kuchenki w trakcie jej wykorzystywania.
- Upewnij się, że stosowane naczynia nadają się do użycia w kuchenke mikrofalowej.
- Popcorn należy przygotowywać wyłącznie w zalecanych do tego opakowaniach (postępuj według instrukcji producenta). Nie wolno używać oleju, o ile nie zostało to wyraźnie zalecone przez producenta, i gotować dłużej niż podano w instrukcji.



OSTRZEŻENIE: Jeśli zostanie przekroczony maksymalny zalecany czas gotowania lub zostaną użyte zbyt wysokie ustawienia mocy, potrawy mogą ulec przegrzaniu, spaleniu, co skrajnych przypadkach może spowodować pożar i uszkodzenie kuchenki.

Ustaw

Umieść najgrubsze części potrawy na zewnątrz – np. udka kurczaka.

Żywność umieszczona na brzegu naczynia otrzymuje więcej energii, a co za tym idzie gotuje się szybciej.

Przykryj

Niektóre potrawy lepiej gotują się w mikrofalówce pod przykryciem.

Przykryj naczynie oddychającą folią do mikrofalówek lub odpowiednią pokrywką.

Nakłuj

Żywność posiadająca skorupkę, skórę lub błonę musi zostać przekłuta w kilku miejscach przed gotowaniem lub podgrzaniem, ponieważ powstała w przeciwnym wypadku para może spowodować jej eksplozję.

Np. ziemniaki, ryby, kurczaki, kielbaski.

UWAGA: Nie należy używać kuchenki do gotowania jajek, ponieważ mogą eksplodować nawet po zakończeniu procesu gotowania. Np. gotowane w skorupkach, smażone, gotowane na twardo.

Zamieszaj, obróć i przestaw

Żeby zapewnić równomierne gotowanie, należy mieszać, obracać i przestawiać żywność w trakcie procesu gotowania. Zawsze należy mieszać i przekładać żywność od zewnątrz do środka.

Odstaw

Po zakończeniu gotowania konieczne jest odstawienie potrawy, co pozwoli na równomierne rozprowadzenie ciepła wewnątrz.

Charakterystyka potrawy	
Skład	Potrawy o dużej zawartości tłuszczu lub cukru (tj. budyń, kruche babeczki) wymagają krótszego czasu podgrzewania. Należy zachować ostrożność, ponieważ przegrzanie może spowodować pożar Kości w mięsie przewodzą ciepło, powodując szybsze gotowanie się potraw. Należy zadbać o równomierne gotowanie potraw.
Gęstość	Gęstość potraw wpływa na wymagany czas gotowania. Lekkie, porowate potrawy, takie jak ciastka i chleb, gotują się szybciej niż ciężkie, gęste potrawy, takie jak pieczenie i mięsa duszone.
Waga	Gęstość promieniowania mikrofalowego pozostaje taka sama, niezależnie od ilości gotowanej żywności. Czas procesu należy zwiększyć odpowiednio do zwiększonej ilości potrawy umieszczonej w kuchenie. Np. cztery ziemniaki będą gotowały się dłużej niż dwa.
Rozmiar	Małe ilości jedzenia gotują się szybciej niż większe, ponieważ mikrofałe mogą wtedy wnikać ze wszystkich stron do samego środka. Żeby gotowanie zachodziło równomiernie, wszystkie kawałki powinny być tej samej wielkości.
Kształt	Żywność o nieregularnych kształtach, taka jak piersi lub udka z kurczaka, gotują się dłużej w grubszych częściach. Żeby zapewnić równomierne gotowanie, umieść grubsze części od zewnętrznej strony talerza, gdzie dostarczona zostanie im większa energia. Potrawy o okrągłych kształtach są równomiernie gotowane niż potrawy o kanciastych formach.
Temperatura potrawy	Początkowa temperatura żywności wpływa na wymagany czas gotowania. Schłodzone potrawy będą gotowały się dłużej od jedzenia o temperaturze pokojowej. Temperatura pojemnika nie jest właściwym wskaźnikiem temperatury żywności lub napojów. Przetnij potrawy z nadzieniem, np. pączki z dżemem, żeby uwolnić ciepło lub parę.



OSTRZEŻENIE: **Twarz i ręce:** Zawsze korzystaj z rękawic kuchennych podczas wyjmowania potraw i naczyń z kuchenki. Podczas otwierania drzwiczek odsuń się pozwalając na rozproszenie się ciepła i pary. Podczas zdejmowania przykrycia (takiego jak folia plastikowa), otwierania toreb do pieczenia lub opakowań od popcornu, należy skierować parę z daleka od twarzy i rąk.



OSTRZEŻENIE: Sprawdź temperaturę potraw i napojów mieszając je przed podaniem. Zachowaj szczególną ostrożność podczas podawania dzieciom lub osobom starszym. W celu uniknięcia poparzeń należy zawsze sprawdzać temperaturę pokarmów dla niemowląt i mieszać zawartość butelek i naczyń przed podaniem.

PORADY DOTYCZĄCE ROZMRAŻANIA

Wykorzystanie kuchenki mikrofalowej to najszybsza metoda rozmrażania. Jest to prosty proces, ale należy przestrzegać poniższych wskazówek w celu całkowitego rozmrożenia.

- Usunąć wszelkie opakowania przed rozmrażaniem.
- Przy rozmrażaniu żywności należy korzystać z poziomu mocy mikrofal P-20 lub P-40.
- Należy zapoznać się z poniższymi informacjami.

Przestaw

Żywność ustawiona na brzegach talerza rozmraża się szybciej od żywności umieszczonej w środku. Z tego względu istotne jest przestawianie produktów do 4 razy podczas rozmrażania.

Przenieść gęsto ustawione produkty z zewnętrznej części do środka i przestaw żywność w stykających się obszarach. Zapewni to równomierne rozmrożenie żywności.

Rozdziel

Produkty mogą być sklezione po wyjęciu z zamrażarki. Ważne jest, żeby rozdzielić je tak szybko jak to możliwe podczas procesu rozmrażania.

Np. plasterki bekonu, filety z kurczaka.

Ośłoń

Niektóre fragmenty rozmrażanych potraw mogą się nagrzewać. Żeby temu zapobiec i ochronić je przed zagotowaniem, można je okryć małymi kawałkami folii, która odbija promieniowanie mikrofalowe. Np. nóżki i skrzydełka kurczaka.

Odstaw

Wymagane jest odstawienie jedzenia w celu całkowitego rozmrożenia.

Proces rozmrażania nie jest zakończony od razu po wyjęciu potrawy z kuchenki. Potrawę należy przykryć, odstawić i odczekać pewien czas do całkowitego rozmrożenia.

Obróć

Kluczową czynnością jest czterokrotne obracanie potrawy podczas rozmrażania.

Pozwoli to zapewnić całkowite rozmrożenie.

PORADY DOTYCZĄCE PODGRZEWANIA

Przy podgrzewaniu potraw przestrzegaj poniższych zaleceń, żeby zapewnić gruntowne podgrzanie przed podaniem.

Dania na talerzu

Zdejmij drób i mięso - podgrzej je osobno. Patrz poniżej.

Umieść mniejsze kawałki potrawy na środku talerza, a większe i grubsze na brzegu. Przykryj oddychającą folią plastikową do mikrofalówek i podgrzej przy poziomie mocy P-50. W połowie czasu podgrzewania zamieszaj/przestaw produkty.

UWAGA: Upewnij się, że potrawa jest dokładnie podgrzana przed podaniem.

Mięso w plastrach

Przykryj oddychającą folią plastikową do mikrofalówek i podgrzej przy poziomie mocy P-60. Przynajmniej raz przestaw produkty, aby zapewnić równomierne podgrzanie.

UWAGA: Upewnij się, że mięso jest dokładnie podgrzane przed podaniem.

Kawałki drobiu

Umieść najgrubsze kawałki na brzegu talerza, przykryj oddychającą folią do mikrofalówek i podgrzej przy poziomie mocy P-70.

Po upływie połowy czasu rozmrażania przewróć na drugą stronę.

UWAGA: Upewnij się, że drób jest dokładnie podgrzany przed podaniem.

Mięso duszone

Przykryj oddychającą folią do mikrofalówek lub odpowiednią pokrywką i podgrzej przy poziomie mocy P-50. Mieszaj często, żeby zapewnić równe podgrzanie.

UWAGA: Upewnij się, że potrawa jest dokładnie podgrzana przed podaniem.

Aby osiągnąć najlepsze rezultaty podczas podgrzewania, należy wybrać poziom mocy odpowiedni dla danego rodzaju potrawy. Np. miskę warzyw można podgrzać przy poziomie mocy P-100, natomiast lasagne zawierającą składniki, których nie można zamieszać, należy podgrzewać przy poziomie mocy P-40.

UWAGI:

- Wyjmij jedzenie z folii lub metalowych opakowań przed podgrzewaniem.
- Na czas podgrzewania ma wpływ kształt, rozmiar, masa i temperatura żywności, a także wymiary, kształt i materiał naczynia.



OSTRZEŻENIE: Nigdy nie należy ogrzewać płynów w pojemnikach o wąskich szyjkach, ponieważ gorący płyn może z nich gwałtownie wytrysnąć, powodując oparzenia.

- Żeby uniknąć przegrzania lub pożaru, należy zachować szczególną ostrożność podczas gotowania i podgrzewania potraw zawierających duże ilości cukru lub tłuszczu, np. kruchych ciast lub budyniu.
- Nigdy nie podgrzewaj oleju lub tłuszczu do głębokiego smażenia, ponieważ może to doprowadzić do przegrzania i pożaru.
- Nie wolno podgrzewać puszkowanych ziemniaków w kuchenke mikrofalowej. Postępuj według zaleceń producenta umieszczonych na puszcze.



OSTRZEŻENIE: W celu uniknięcia poparzeń należy zawsze sprawdzać temperaturę pokarmów dla niemowląt i mieszać zawartość butelek i naczyń przed podaniem.

ROZWIĄZYWANIE PROBLEMÓW

Jeśli kuchenka pracuje nieprawidłowo, możesz w prosty sposób sprawdzić jej działanie zanim wezwiesz serwis. Pozwoli to uniknąć zbędnego kontaktowania się z personelem serwisu w przypadku niewielkiego problemu.

Przeprowadź następujące proste czynności kontrolne:

Umieść w kuchenke filiżankę z wodą na talerzu obrotowym i dokładnie zamknij drzwiczki. Ustaw timer na gotowanie przez minutę wykorzystując poziom mocy mikrofal P-100.

1. Czy lampka oświetleniowa świeci podczas gotowania?
2. Czy wentylator pracuje? (Sprawdź przykładając dłoń do otworów wentylacyjnych.)
3. Czy po upływie minuty rozlega się sygnał dźwiękowy?
4. Czy woda w filiżance jest gorąca? Jeśli odpowiedź na którekolwiek z powyższych pytań brzmi „NIE”, sprawdź, czy zasilanie kuchenki jest prawidłowo podłączone lub bezpiecznik nie przerwał zasilania na skutek zwarcia elektrycznego. Jeśli nie występuje żadna z powyższych przyczyn, zapoznaj się z tabelą rozwiązywania problemów.



OSTRZEŻENIE: Nigdy nie próbuj samodzielnie regulować, naprawiać ani modyfikować urządzenia. Wszelkie naprawy i czynności serwisowe są niebezpieczne i powinny być przeprowadzone wyłącznie przez wykwalifikowanych pracowników serwisu firmy SHARP. Jest to bardzo ważne, ponieważ naprawa lub serwisowanie może wymagać demontażu osłon, które chronią przed promieniowaniem mikrofal.

- Uszczelki drzwiczek chronią przed przenikaniem promieniowania mikrofal na zewnątrz pracującej kuchenki, ale nie tworzą hermetycznego uszczelnienia. Pojawienie się kropeł wody, światła lub ciepłego powietrza wokół drzwiczek kuchenki jest zjawiskiem zupełnie normalnym. Podgrzewanie potraw o wysokiej zawartości wilgoci uwalnia parę wodną i powoduje jej skraplanie na wewnętrznej powierzchni drzwiczek. Krople wody mogą kapać z urządzenia.
 - Naprawy i modyfikacje urządzenia: Nie wolno używać kuchenki, jeśli nie działa prawidłowo.
 - Dostęp do obudowy i lampki oświetleniowej: Nie wolno zdejmować obudowy urządzenia. Jest to bardzo niebezpieczne, ponieważ wewnętrzne elementy kuchenki znajdują się pod wysokim napięciem. Dotknięcie ich grozi śmiercią.
- Opisywana kuchenka nie została wyposażona w osłonę umożliwiającą dostęp do lampki oświetleniowej. W przypadku przepalenia lampki użytkownik nie powinien próbować wymienić jej samodzielnie, lecz skontaktować się z autoryzowanym serwisem firmy SHARP.

TABELA ROZWIĄZYWANIA PROBLEMÓW

PYTANIE	ODPOWIEDŹ
Wokół drzwiczek odczuwalne jest wypływanie powietrza na zewnątrz.	Podczas pracy kuchenki powietrze przepływa w komorze operacyjnej. Drzwiczki nie zapewniają hermetycznego uszczelnienia. Dlatego powietrze może wydostawać się na zewnątrz poprzez drzwiczki.
Para wodna skrapla się w kuchenke, więc krople wody mogą kapać na zewnątrz poprzez drzwiczki.	Zazwyczaj komora operacyjna jest chłodniejsza od potrawy przeznaczonej do gotowania. Dlatego wytworzona para wodna skrapla się na chłodniejszej powierzchni. Ilość wytworzonej pary wodnej zależy od zawartości wody w potrawie przeznaczonej do gotowania. Niektóre produkty spożywcze, np. ziemniaki, odznaczają się wysoką zawartością wilgoci. Skroplona para wodna, pozostająca wewnątrz szklanej części drzwiczek, powinna zniknąć po kilku godzinach.
Migotanie lub iskrzenie wewnątrz komory operacyjnej podczas gotowania.	Iskrzenie pojawia się podczas gotowania, jeśli metalowy przedmiot znajdzie się w pobliżu ścianki komory operacyjnej. Może to doprowadzić do zadrapania powierzchni komory operacyjnej, ale nie powinno powodować innych uszkodzeń kuchenki.
Iskrzące ziemniaki.	Dokładnie usuń wszystkie „oczka” z ziemniaków, a następnie nakłuj ziemniaki. Ułóż bezpośrednio na talerzu obrotowym, albo w naczyniu żaroodpornym lub podobnym.
W przypadku wykorzystania kuchenki tylko w trybie pracy z grillem można zauważyć, że element grzejny nie jest włączony przez cały czas.	Dzieje się tak, ponieważ element grzejny grilla włącza się i wyłącza, aby utrzymać temperaturę kuchenki na ustawionym poziomie.
Podczas korzystania z grilla w trybie pracy kombinowanej wygląda na to, że nie jest on włączony.	Podczas pracy kombinowanej z grillem (tryb pracy z mikrofalami i tryb grilla) kuchenka będzie przełączać się między oboma trybami. Tryb pracy z mikrofalami i tryb grilla nie włączają się równocześnie.
Kuchenka nie działa po naciśnięciu przycisku START/ QUICK START.	Sprawdź, czy drzwiczki zostały prawidłowo zamknięte.
Kuchenka gotuje zbyt wolno.	Upewnij się, że został wybrany prawidłowy poziom mocy mikrofal.
Kuchenka głośno pracuje.	Podczas włączania i wyłączenia promieniowania mikrofal może być słyszalne buczenie. Jest to normalna sytuacja.
Po zakończeniu procesu gotowania kuchenka emituje dźwięki lub wydaje się nadal działać.	Po zakończeniu procesu gotowania wentylator może pracować przez kilka minut, aby schłodzić urządzenie. Jest to normalna sytuacja.
Zewnętrzna obudowa jest bardzo gorąca.	Obudowa może być gorąca i nie wolno jej dotykać – dzieci nie powinny zbliżać się do kuchenki.
Po naciśnięciu przycisku na wyświetlaczu pojawia się komunikat „LOC”.	Po 30 sekundach kuchenka przełączy się do trybu blokady, w którym nie można nacisnąć żadnego przycisku. Otwórz i zamknij drzwiczki, a przyciski zaczną znowu działać. Należy również sprawdzić, czy urządzenie nie znajduje się w trybie blokady.
Na wyświetlaczu pojawia się komunikat „Fail” i co minutę kuchenka emituje sygnał dźwiękowy.	Dzieje się tak w przypadku naciśnięcia przycisków na panelu sterowania w sposób ciągły przez minutę. Należy odłączyć kuchenkę od zasilania sieciowego na kilka minut i ponownie podłączyć.
Kuchenka emituje sygnał dźwiękowy co 30 sekund.	Po zakończeniu procesu i pozostawieniu zamkniętych drzwiczek zostanie wyemitowany sygnał dźwiękowy co 30 sekund. Aby wyłączyć sygnał dźwiękowy, należy otworzyć, a następnie zamknąć drzwiczki.

ZANIM WEZWIESZ POMOC

Przed wezwaniem pracownika serwisu należy sprawdzić następujące punkty:

- Sprawdź, czy kuchenka jest prawidłowo podłączona. Jeśli nie, odłącz wtyczkę od gniazdka elektrycznego, odczekaj dziesięć sekund i starannie podłącz ją ponownie.
- Sprawdź, czy bezpiecznik/wyłącznik automatyczny nie przerwał zasilania na skutek zwarcia elektrycznego. Jeśli wydaje się, że działa prawidłowo, sprawdź gniazdko elektryczne podłączając inne sprawnie działające urządzenie.
- Sprawdź, czy pokrętki POZIOM MOCY MIKROFAL i TIMER są ustawione prawidłowo.
- Sprawdź, czy drzwiczki zostały prawidłowo zamknięte, włączając system blokady drzwiczek. W przeciwnym razie promieniowanie mikrofal nie zostanie włączone.

JEŚLI ŻADNE Z POWYŻSZYCH ROZWIĄZAŃ NIE ELIMINUJE PROBLEMU, NALEŻY SKONTAKTOWAĆ SIĘ Z PERSONELEM AUTORYZOWANEGO SERWISU. NIE PRÓBUJ SAMODZIELNIE REGULOWAĆ ANI NAPRAWIAĆ KUCHENKI.



Atenção:

O seu produto está marcado com este símbolo. Significa que os produtos elétricos e eletrónicos usados não devem ser misturados com o lixo doméstico geral. Existe um sistema de recolha específico para estes produtos.



[www.sharpconsumer.com/
contact/](http://www.sharpconsumer.com/contact/)



[www.sharpconsumer.com/
support/](http://www.sharpconsumer.com/support/)



[www.sharpconsumer.com/
documents-of-conformity/](http://www.sharpconsumer.com/documents-of-conformity/)

A. Informações sobre a Eliminação para os Utilizadores (particulares)

1. Na União Europeia

Atenção: Se quiser eliminar este equipamento, não use um caixote do lixo comum!

O equipamento elétrico e eletrónico usado tem de ser tratado em separado e de acordo com a legislação que requer um tratamento, recuperação e reciclagem adequados de equipamento elétrico e eletrónico usado.

No seguimento da implementação pelos estados membros, os agregados domésticos privados nos estados da UE devem entregar o seu equipamento elétrico e eletrónico usado num local designado para a sua recolha, sem qualquer custo*.

Em alguns países* o seu vendedor local pode também receber o seu produto antigo, sem qualquer custo, se adquirir um outro semelhante.

*) Contacte as entidades locais para mais informações.

Se o seu equipamento elétrico ou eletrónico usado tiver pilhas ou pilhas recarregáveis, elimine-as previamente em separado de acordo com as exigências locais. Ao eliminar corretamente este produto estará a ajudar a garantir que os resíduos recebem o tratamento, recuperação e reciclagem necessários e, assim, evita potenciais efeitos negativos sobre o meio ambiente e a saúde humana que, de outro modo, poderiam surgir devido ao manuseamento incorreto dos resíduos.

2. Em outros países fora da UE

Se pretende desfazer-se deste produto, contacte, por favor, as suas autoridades locais e informe-se sobre o método de eliminação correto.

Para a Suíça: O equipamento elétrico e eletrónico usado pode ser devolvido ao comerciante, sem qualquer custo, mesmo que não adquira um novo produto. Os locais de recolha adicionais encontram-se listados na página principal de www.swico.ch ou www.sens.ch.

B. Informações sobre a Eliminação de Produtos para Utilizadores-Empresas

1. Na União Europeia

Se o produto é utilizado para fins comerciais e se pretende desfazer-se dele: Agradecemos que contacte o seu revendedor SHARP que o informará sobre como devolver o produto. Podem ser-lhe cobrados custos resultantes da devolução e reciclagem. Produtos pequenos (e pequenas quantidades) podem ser devolvidos nos locais de recolha da sua zona.

Para a Espanha: Agradecemos que contacte o sistema de recolha instituído ou a sua autoridade local para a devolução dos seus produtos usados.

2. Em outros países fora da UE

Se pretende desfazer-se deste produto, contacte, por favor, as suas autoridades locais e informe-se sobre o método de eliminação correto.

Para assistência técnica, veja www.sharpconsumer.com/contact/, para os seus direitos da garantia, vá a www.sharpconsumer.com/support/ ou contacte o revendedor onde comprou o produto.

As declarações de conformidade encontram-se disponíveis a partir de www.sharpconsumer.com/documents-of-conformity/

PRECAUÇÕES PARA EVITAR POSSÍVEIS EXPOSIÇÕES À ENERGIA DAS MICRO-ONDAS

1. Não tente usar este forno com a porta aberta, pois isso pode provocar uma exposição danosa à energia das micro-ondas. É importante não derrotar ou adulterar os bloqueios de segurança.
2. Não insira nada entre a parte da frente do forno e a porta, nem permita a acumulação de sujidade ou resíduos do produto de limpeza nas superfícies de vedação.
3. Não use o forno se estiver danificado. É muito importante que a porta do forno se feche devidamente e que não haja nenhum dano nas portas, dobradiças, fechos ou nas vedações da porta e superfícies de vedação.
4. Não tente reparar ou ajustar o forno.

CONTEÚDOS

INSTRUÇÕES DE SEGURANÇA IMPORTANTES.....	3
INSTALAÇÃO.....	11
INTERFERÊNCIA DE RÁDIO.....	12
INSTRUÇÕES DE LIGAÇÃO À TERRA.....	12
ESPECIFICAÇÕES.....	12
FORNO E ACESSÓRIOS.....	13
PAINEL DE CONTROLO.....	14
ANTES DE USAR O FORNO.....	15
ACERTAR O RELÓGIO.....	15
COZINHAR COM MICRO-ONDAS.....	16
INÍCIO RÁPIDO.....	17
COZINHAR COM O GRILL*.....	17
MICRO-ONDAS+GRILL*.....	18
MENU AUTOMÁTICO.....	19
DESCONGELAR AUTOMÁTICO.....	22
REAQUECER AUTOMÁTICO*.....	22
TEMPORIZADOR DE COZINHA.....	23
FUNÇÃO DE POUPANÇA DE ENERGIA.....	23
FUNÇÃO DE SILENCIAR.....	24
BLOQUEIO DE SEGURANÇA.....	24
BLOQUEIO DE CRIANÇAS.....	24
LIMPEZA E MANUTENÇÃO.....	25
LOIÇA PRÓPRIA PARA O FORNO.....	26
CONSELHOS DE CULINÁRIA DO MICRO-ONDAS.....	27
CONSELHOS SOBRE DESCONGELAR.....	29
CONSELHOS SOBRE REAQUECER.....	30
RESOLUÇÃO DE PROBLEMAS.....	31
ANTES DE LIGAR À ASSISTÊNCIA TÉCNICA.....	33

INSTRUÇÕES DE SEGURANÇA IMPORTANTES

LEIA COM ATENÇÃO E GUARDE PARA REFERÊNCIA FUTURA

Para evitar o perigo de incêndio. O forno micro-ondas não deve ser deixado sem vigilância enquanto estiver a funcionar. Níveis de potência demasiado elevados ou tempo de cozedura demasiado longo podem sobreaquecer os alimentos, provocando um incêndio.

Este forno foi projetado para ser usado apenas numa bancada. Não foi projetado para ser encastrado numa unidade de cozinha. A tomada elétrica tem de estar acessível rapidamente, para que a unidade possa ser facilmente desligada da corrente em caso de emergência.

O cabo de alimentação CA deve ser de 230-240 V, 50 Hz, com um mínimo de 10 A do fusível de distribuição ou um mínimo de 10 A do disjuntor de distribuição. Deve ser fornecido um circuito separado que sirva apenas este eletrodoméstico.

Não coloque o forno em zonas onde se produza muito calor, por exemplo, junto a um forno tradicional. Não instale o forno numa zona de grande humidade ou onde se possam acumular gotas de água. Não guarde nem use o forno no exterior.

Caso se observe fumo, desligue ou desconecte da parede o forno e mantenha a porta fechada, de forma a abafar quaisquer chamas.

Use apenas recipientes e utensílios seguros para o micro-ondas. Os utensílios devem ser verificados para garantir que são adequados para o uso em fornos micro-ondas. Quando aquecer alimentos em recipientes de plástico ou papel, esteja atento ao forno devido à possibilidade de ignição.

Limpe capa do guia de ondas e a cavidade do forno. Estas devem estar secas e sem gordura. A gordura acumulada

pode provocar sobreaquecimento e deitar fumo ou pegar fogo.

Não coloque materiais inflamáveis perto do forno ou das aberturas de ventilação. Não bloqueie as aberturas de ventilação.

Retire todos os selos metálicos, arames, etc., da comida e de embalagens de comida. O arco elétrico nas superfícies metálicas pode provocar um incêndio.

Não use o forno micro-ondas para aquecer óleo para fritar. A temperatura não pode ser controlada e o óleo pode pegar fogo.

Para fazer pipocas, use apenas embalagens próprias para fazer pipocas no micro-ondas.

Não guarde comida ou quaisquer outros objetos dentro do forno.

Verifique as definições quando iniciar o forno para ter a certeza que o forno está a funcionar como desejado.

Não deixe o forno sem vigilância durante o funcionamento.

Para evitar sobreaquecimento e fogo é necessário ter cuidado especial ao cozinhar ou reaquecer alimentos com muito açúcar ou teor de gordura, por exemplo, salsichas, tartes ou pudins. Veja as dicas correspondentes no manual de utilização.

Para evitar o risco de lesões. ATENÇÃO:

Não use o forno caso este esteja danificado ou a funcionar mal. Verifique o seguinte antes de o usar:

- a) Certifique-se de que a porta se fecha devidamente e que não está desalinhada ou deformada.
- b) Verifique que as dobradiças e os fechos de segurança da porta não estão partidos ou soltos.
- c) Veja-se de que as vedações da porta e da superfície não foram danificadas.

- d) Certifique-se de que no interior da cavidade do forno ou a porta não há brechas.
- e) Certifique-se de que o cabo de alimentação e a tomada não estão danificados.

Caso a porta ou as vedações da porta estejam danificadas, o forno não deve ser posto em funcionamento até ter sido reparado por uma pessoa competente.

Nunca ajuste, repare ou modifique o forno sozinho. É arriscado para qualquer pessoa que não seja uma pessoa competente para tal levar a cabo qualquer tipo de operação que envolva a remoção de uma capa que protege da exposição a energia das micro-ondas.

Não opere o forno com a porta aberta nem altere os fechos de segurança da porta de nenhum modo. Não opere o forno se houver algum objeto entre as vedações da porta e as vedações da superfície.

Não permita que se acumule gordura ou sujidade nas vedações da porta e nas peças adjacentes. Limpe o forno regularmente e remova todos os depósitos de comida.

Siga as instruções em "Cuidados e Manutenção". A falta de limpeza do forno leva à deterioração da superfície que afetará adversamente a vida da máquina e poderá criar situações perigosas

Pessoas com PACEMAKERS devem aconselhar-se com o seu médico ou com o fabricante do pacemaker sobre regras de segurança com fornos micro-ondas.

Para evitar a possibilidade de choques elétricos

- Nunca em nenhum momento remova a cobertura exterior.
- Não derrame ou insira nenhum objeto nas ranhuras dos ganchos da porta ou nas aberturas de ventilação. Em caso de derrame, desligue e desconecte imediatamente o forno

da corrente elétrica e chame um agente da assistência técnica autorizado SHARP.

- Não submerja o cabo de alimentação ou a tomada em água ou qualquer outro líquido.
- Não deixe o cabo de alimentação pendurado à beira de uma mesa ou superfície de trabalho.
- Mantenha o cabo de alimentação longe de superfícies quentes, incluindo o motor do forno.
- Mantenha o aparelho e o cabo fora do alcance de crianças com menos de 8 anos.
- Não tente substituir a lâmpada do forno sozinho e não permita que alguém que não seja um eletricista autorizado pela SHARP o faça. Se a lâmpada do forno se fundir, por favor contacte o seu revendedor ou a assistência técnica autorizada SHARP.
- Se o cabo de alimentação estiver danificado, terá de ser substituído por um agente autorizado da SHARP.

ATENÇÃO: Os líquidos e outros alimentos não devem ser aquecidos em recipientes fechados, pois podem explodir. O aquecimento de bebidas no micro-ondas pode provocar uma erupção de ebulição tardia; por este motivo, deve ter-se cuidado ao manusear o recipiente. Para evitar a possibilidade de explosão e ebulição repentina:

Nunca use recipientes selados. Remova os selos e tampas antes de usar. Os recipientes selados podem explodir devido à pressão criada, mesmo depois do forno ter sido desligado. Tenha cuidado quando aquecer líquidos no micro-ondas. Use um recipiente com abertura larga para permitir que as bolhas saiam.

Nunca aqueça líquidos num recipiente com gargalo estreito, como biberons, pois isto pode provocar uma erupção do conteúdo do recipiente quando estiver quente e provocar queimaduras.

Para evitar uma erupção espontânea de um líquido a ferver e eventuais queimaduras:

1. Não use tempo excessivo.
2. Mexa o líquido antes de o aquecer/reaquecer.
3. Aconselha-se a inserir uma vareta de vidro ou semelhante (não metálica) dentro do líquido quando o reaquecer.
4. Deixe o líquido descansar por, pelo menos, 20 segundos no forno após o fim do tempo de cozedura para evitar uma erupção de bolhas tardia.

Não cozinhe ovos com casca e igualmente ovos cozidos não devem ser aquecidos no forno micro-ondas, pois podem explodir mesmo depois do forno ter parado de trabalhar. Para cozinhar ou reaquecer ovos que não tenham sido mexidos, perfure a gema e a clara. Descasque e corte os ovos cozidos antes de os reaquecer no forno micro-ondas.

Perfure a pele de alimentos, tais como batatas, salsichas e fruta antes de cozinhar, pois estes podem explodir.

ATENÇÃO: O conteúdo de biberons e boiões com comida de bebé têm de ser mexidos ou agitados e a temperatura tem de ser verificada antes de ser consumida, para evitar queimaduras. Use pegas ou luvas para o forno quando remover os alimentos do forno para evitar queimaduras.

- Abra sempre os recipientes, sacos de pipocas, sacos para cozinhar no forno, etc., longe do rosto e mãos para evitar queimaduras por vapor e a erupção de ebulição. Para evitar queimaduras, verifique sempre a temperatura dos alimentos e mexa antes de servir. Preste especial atenção à temperatura dos alimentos e bebidas dados a bebés, crianças e idosos. As peças acessíveis podem ficar quentes durante a utilização. As crianças pequenas devem ser mantidas à distância.
- A temperatura do recipiente não é a verdadeira temperatura

da comida ou bebida; verifique sempre a temperatura da comida.

- Afaste-se sempre quando abrir a porta do forno para evitar queimaduras de vapor ou calor que saia do interior.
- Corte em fatias alimentos assados antes de os aquecer para soltar o vapor e evitar queimaduras.
- Mantenha as crianças afastadas da porta para evitar que se queimem.

ATENÇÃO: Permita às crianças com 8 ou mais anos usar o forno sem supervisão apenas quando tenham sido dadas instruções adequadas para que a criança consiga usar o forno de forma segura e compreenda os perigos de uma utilização imprópria.

Quando o eletrodoméstico for usado nos modos GRILL, MIX GRILL, CONVECÇÃO, MIX CONVECÇÃO e MENU AUTOMÁTICO, as crianças só deverão usar o forno com supervisão de um adulto devido às temperaturas geradas.

Este aparelho não foi feito para ser usado por pessoas (incluindo crianças) com capacidades físicas, sensoriais e mentais reduzidas, ou com falta de experiência e conhecimentos, a não ser que esteja uma pessoa responsável pela sua segurança a supervisionar ou a dar instruções relativas ao uso do aparelho.

As crianças devem ser supervisionadas de modo a garantir que não brincam com o aparelho. A limpeza feita por crianças deve ser supervisionada.

Os modelos com painel tátil eletrónico vêm com um modo de bloqueio de crianças.

Não se apoie ou balance na porta do forno. Não brinque com o forno nem o utilize como um brinquedo.

Deve-se ensinar às crianças todas as instruções de segurança

importantes: o uso de pegas, o retirar com cuidado as coberturas dos alimentos, prestando especial atenção às embalagens (por exemplo, materiais que se aquecem sozinhos) feitas para tornar a comida estaladiça, pois podem estar particularmente quentes.

Outros avisos

Nunca modifique o forno de nenhuma maneira.

Não mova o forno quando este estiver a funcionar.

Este forno destina-se apenas para ser usado num ambiente doméstico. Destina-se à preparação de alimentos em casa e apenas pode ser usado para cozinhar alimentos e bebidas. A secagem de alimentos ou vestuário e o aquecimento de bolsas térmicas, pantufas, esponjas, panos húmidos e semelhantes pode levar ao risco de lesões, ignição ou fogo. Não é adequado para uso comercial ou num laboratório.

Para promover o uso sem problemas do seu forno e evitar problemas.

Nunca use o forno quando este estiver vazio. Quando usar um prato de barro ou material que aqueça sozinho, coloque sempre por baixo um isolante resistente ao calor, como um prato de porcelana, para prevenir danos na base do forno devido à tensão do calor. O tempo de pré-aquecimento especificado nas instruções da loiça não deve ser excedido.

Não use utensílios metálicos, pois estes reflectem as micro-ondas e podem causar arcos eléctricos. Não coloque latas dentro do forno.

Para evitar que o prato giratório ou a base do forno se quebrem.

- a) Antes de limpar com água, deixe arrefecer.
- b) Não coloque alimentos quentes ou fios, ou utensílios quentes num prato giratório/base do forno frios.

c) Não coloque nada na parte exterior durante o funcionamento.

NOTA:

Não utilize recipientes de plástico para o micro-ondas se o forno ainda estiver quente depois da utilização de um modo combinado (depende do modelo do forno), pois podem derreter.

Os recipientes de plástico não devem ser utilizados nos modos acima mencionados, a não ser que o produtor do recipiente diga que são adequados.

Caso tenha dúvidas sobre a forma como ligar o seu forno, consulte um electricista autorizado e qualificado.

Nem o fabricante, nem o revendedor podem aceitar qualquer responsabilidade por estragos no forno ou danos pessoais resultantes da inobservância dos procedimentos corretos de ligação elétrica.

É possível que se forme ocasionalmente vapor ou gotas de água nas paredes do forno ou à volta das vedações da porta e da superfície. Isto é normal e não significa nenhuma falha ou mal funcionamento do micro-ondas.

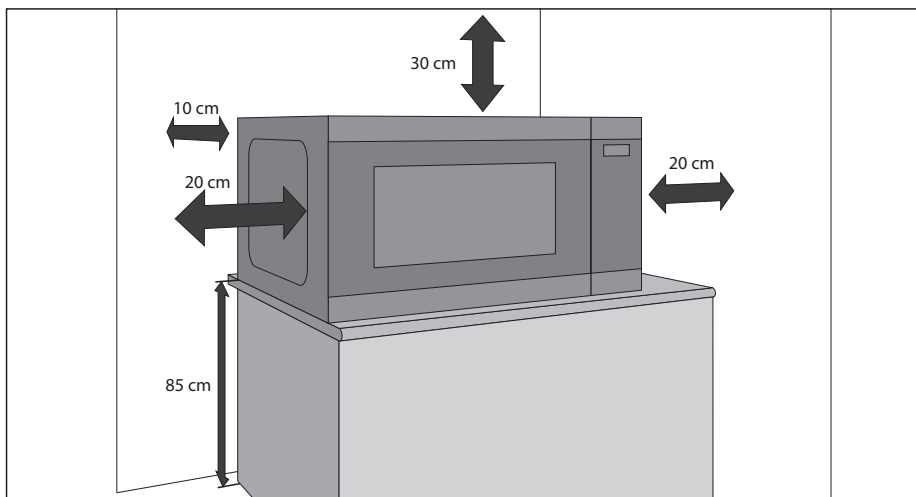
Este eletrodoméstico destina-se a ser usado num ambiente doméstico e aplicações semelhantes, tais como: áreas de cozinha reservadas para o pessoal em lojas, escritórios e outros ambientes profissionais / quintas / uso de clientes em hotéis, motéis e outros ambientes de tipo residencial / ambientes do estilo de pousadas.



Este símbolo significa que as superfícies podem ficar quentes durante o uso.

INSTALAÇÃO

1. Retire todo o tipo de embalagens de dentro da cavidade do forno e retire todas as películas de proteção que encontrar na superfície da cabine do micro-ondas.
 2. Verifique cuidadosamente se o forno tem sinais de estragos.
 3. Coloque o forno numa superfície segura, nivelada e suficientemente forte para suportar o peso do forno juntamente com o da peça mais pesada que pensa cozinhar no forno. Não coloque o forno num recipiente fechado.
 4. Escolha uma superfície nivelada com espaço suficiente para as entradas e/ou saídas de ar. Veja a imagem na primeira página. A superfície traseira do aparelho deve ser colocada em frente a uma parede.
- A altura mínima de instalação é de 85 cm.
 - É necessário haver um espaço mínimo de 20 cm entre os lados do forno micro-ondas e quaisquer paredes ou objetos adjacentes.
 - Deixe um espaço mínimo de 30 cm por cima do forno.
 - Não remova os pés da base do forno.
 - Bloquear a abertura de entrada e/ou saída pode danificar o forno.
 - Coloque o forno tão longe de rádios e televisores quanto possível. O funcionamento do forno micro-ondas pode provocar interferências na receção de rádio ou televisão.



5. Conecte de forma segura a ficha do forno a uma tomada elétrica (com ligação à terra) normal de uso doméstico.

ATENÇÃO:

- Não coloque o forno em locais onde se gere calor, orvalho ou muita humidade (por exemplo, perto ou por baixo de um forno convencional) ou perto de materiais combustíveis (por exemplo, cortinas).
- Não bloqueie nem obstrua as aberturas da saída de ar.
- Não coloque objetos em cima do forno.
- Não toque no exterior do forno micro-ondas durante ou logo após o funcionamento, pois pode estar quente.

INTERFERÊNCIA DE RÁDIO

A utilização do micro-ondas pode interferir com o seu rádio, televisor ou equipamento semelhante. Quando houver interferência, esta pode ser reduzida ou eliminada seguindo as seguintes medidas:

1. Limpe a porta e a cavidade no sítio onde se juntam.
2. Mude a direção da antena de receção do rádio ou televisor.
3. Mude a localização do forno micro-ondas em relação ao recetor.
4. Ligue o forno micro-ondas a uma tomada diferente, para que este e o recetor não estejam no mesmo circuito de corrente.

INSTRUÇÕES DE LIGAÇÃO À TERRA

Este eletrodoméstico tem de ter ligação à terra. Este forno vem equipado com um cabo com um fio de ligação à terra, com uma ficha de ligação à terra. Tem de ser ligada a uma tomada que tenha sido devidamente instalada e ligada à terra. No caso de haver um curto-circuito elétrico, a ligação à terra reduz o risco de choque elétrico, fornecendo um fio de escape para a corrente elétrica. Recomenda-se a instalação de um circuito separado apenas para o forno.

⚠ ATENÇÃO: A utilização inadequada da ficha de ligação à terra pode provocar um risco de choque elétrico.

NOTA:

1. Se tiver algumas questões sobre a ligação à terra ou as instruções elétricas, consulte um electricista qualificado ou uma pessoa da assistência técnica.
2. Nem o fabricante, nem o revendedor podem aceitar qualquer responsabilidade por estragos no forno ou lesões pessoais resultantes da inobservância dos procedimentos corretos de ligação elétrica.

A ligação à rede usada no seu forno micro-ondas usa fios com os seguintes códigos de cores:

Verde e amarelo = TERRA

Azul = NEUTRO

Castanho = VIVO

ESPECIFICAÇÕES

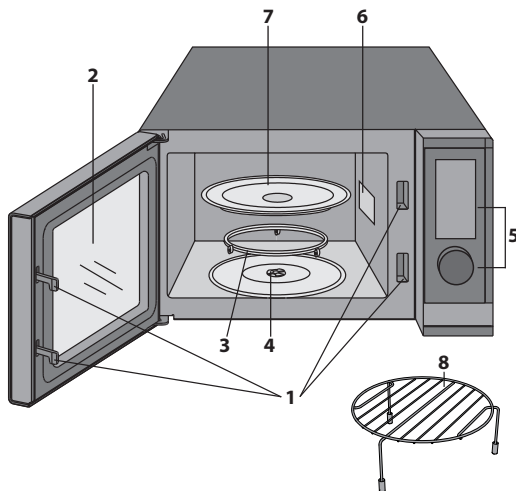
Nome do modelo:	YC-PS204A	YC-PS234A	YC-PS254A	YC-PG204A	YC-PG234A	YC-PG254A	YC-PG284A	
Tensão da Linha AC	230~240 V, 50 Hz monofásico							
Fusível de linha de distribuição/disjuntor	10 A							
Potência:	Micro-ondas	700W	900W	900W	700W	900W	900W	900W
	Grill				900W	1000W	1000W	1000W
	Modo desligado				<0,5 W			
	Modo de poupança de energia				>0,5W			
	Potência CA requerida	1200W	1400W	1400W	1400W	1400W	1400W	1400W
Frequência das Micro-ondas	2450 MHz*							
Dimensões Exteriores (L) x (A) x (P) mm	455 x 274 x 334	483 x 281 x 377	483 x 281 x 403	455 x 274 x 345	483 x 281 x 395	483 x 281 x 403	539 x 309 x 441	
Dimensões da cavidade (L) x (A) x (P) mm	315 x 198 x 297	340 x 220 x 320	340 x 220 x 344	315 x 198 x 297	340 x 220 x 320	340 x 220 x 344	354 x 220 x 358	
Capacidade do Forno	20 litros**	23 litros**	25 litros**	20 litros**	25 litros**	25 litros**	28 litros**	
Diâmetro do prato giratório	245 mm	270 mm	270 mm	245 mm	270 mm	270 mm	325 mm	
Tamanho da grelha do grill (L) x (P) mm				190 x 79	80 x 208	80 x 208	89 x 285	
Peso	aprox. 10,5 kg	aprox. 12,9 kg	aprox. 13,5 kg	aprox. 10,9 kg	aprox. 13,9 kg	aprox. 13,7 kg	aprox. 16,6 kg	
Lâmpada do forno (de tipo LED)	1,5W							

* - Este produto cumpre os requisitos da norma europeia EN55011. Em conformidade com este requisito, o produto é classificado como equipamento do grupo 2 classe B. O grupo 2 significa que o equipamento gera intencionalmente energia com frequência de rádio, em forma de radiação eletromagnética para o tratamento de alimentos por calor. Equipamento de classe B significa que o equipamento é adequado para ser usado em ambientes domésticos.

** - A capacidade interna calcula-se medindo a largura, profundidade e altura máximas. A capacidade real para os alimentos é menor. COMO PARTE DA POLÍTICA DE CONTÍNUAS MELHORIAS, RESERVAMO-NOS O DIREITO DE ALTERAR O DESENHO E AS ESPECIFICAÇÕES SEM AVISO PRÉVIO.

FORNO E ACESSÓRIOS

1. Sistema de bloqueio de segurança da porta
2. Janela do forno
3. Anel rolante
4. Acoplamento do prato giratório
5. Marcador giratório e botões de controlo
6. Capa da guia de ondas (não retirar)
7. Tabuleiro de vidro
8. Grelha do grill para YC-PG204A, YC-PG234A, YC-PG254A e YC-PG284A
9. Aberturas de ventilação
10. Estrutura exterior
11. Cabo de alimentação



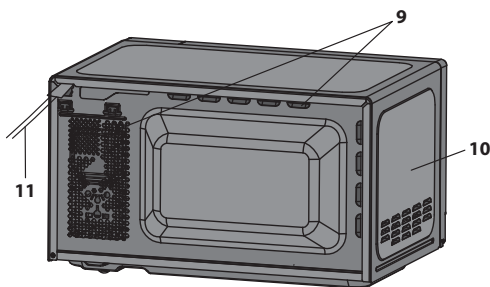
Verifique que os seguintes acessórios são fornecidos:

Apenas fornos com grill:

- **Grelha do grill** – para usar apenas com a função do grill.
- A grelha do grill foi projetada para usar apenas com fornos com grill. **NÃO USE** a grelha quando usar a função de micro-ondas.
- Sobre o uso da grelha do grill, veja a secção GRILL no manual do utilizador.

Nunca toque no grill quando este estiver quente

NOTA: Quando encomendar acessórios, refira estes dois itens: o nome da peça e o nome do modelo.



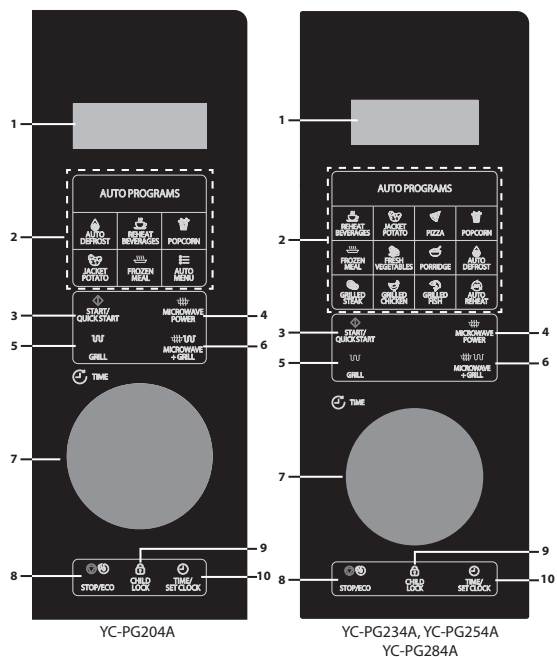
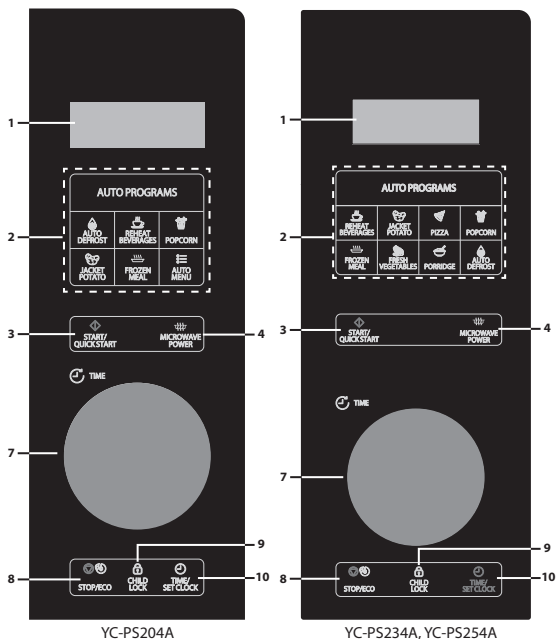
NOTAS:

- Depois de cozinhar comida gordurosa sem cobertura, limpe sempre devidamente a cavidade. Esta deve estar seca e sem gordura. A gordura acumulada pode causar sobreaquecimento e começar a deitar fumo ou a arder.
- Quando usar as micro-ondas, coloque sempre loiça no prato giratório.
- **NÃO USE** a grelha do grill apenas com a função de micro-ondas.

⚠ ATENÇÃO: ⚠ Este símbolo significa que as superfícies podem ficar quentes durante a utilização. A porta, o compartimento exterior, a cavidade do forno, os acessórios e pratos ficarão muito quentes durante a operação. Para evitar queimaduras, use sempre luvas almofadadas de cozinha.

PAINEL DE CONTROLO

- MOSTRADOR DIGITAL** - São apresentados o tempo de cozedura, a potência, os indicadores e a hora.
- Botões do MENU AUTOMÁTICO** - Carregue para selecionar o menu de cozedura automática. (Veja a página 19 para obter conselhos sobre como usar).
- START/QUICK START (INÍCIO/INÍCIO RÁPIDO)** - (Página 17).
- MICROWAVE POWER (POTÊNCIA DO MICRO-ONDAS)** - Carregue para selecionar o nível de potência do micro-ondas. (Página 16).
- GRILL** - Carregue para definir o programa de cozedura do grill. (Página 17).
- MICROWAVE+GRILL (MICRO-ONDAS+GRILL)** - Carregue para definir o programa de cozedura combinado de micro-ondas e grill. (Página 18).
- MARCADOR GIRATÓRIO** - Gire no sentido dos ponteiros do relógio ou no contrário para definir diversas funções.
- STOP/ECO** - Carregue uma vez para parar temporariamente de cozinhar, ou duas vezes para cancelar a cozedura de todo. Use para definir o modo de poupança de energia. (Página 23).
- CHILD LOCK (BLOQUEIO DE CRIANÇAS)** - (Página 24).
- TIME/SET CLOCK (HORA/DEFINIR)** - Use para acertar a hora. Use para definir a função do temporizador. (Página 15)



ANTES DE USAR O FORNO

Quando o forno for ligado pela primeira vez, irá soar um sinal sonoro e o mostrador apresentará a indicação "1:00". Tenha em conta que o relógio não precisa de estar acertado para o forno funcionar devidamente. Para acertar o relógio, siga as instruções na secção "Acertar a hora" deste manual do utilizador.

Quando for nova, da primeira vez que a grelha for usada serão produzidos fumo e cheiros. Para evitar que isto aconteça quando estiverem a ser cozinhados alimentos, use a função do grill sem alimentos durante cerca de 20 minutos.

- Depois de abrir e fechar a porta, o forno entrará no modo de standby (espera). Se não se carregarem em nenhuns botões durante 1 minuto, o mostrador continuará ligado e os botões não irão funcionar. Para voltar a entrar no modo de standby, abra e feche a porta.
- Durante a cozedura, se o botão **STOP/ECO** for carregado uma vez, o ciclo de cozedura será parado. Para continuar a cozinhar, carregue no botão **INÍCIO/INÍCIO RÁPIDO**. Se carregar duas vezes no botão **STOP/ECO**, a cozedura será cancelada.
- Quando programar o forno para uma função concreta e houver uma pausa entre o carregar nos botões de mais de 30 segundos, o forno regressará ao modo de standby (espera).
- Quando um ciclo de cozedura terminar, o mostrador apresentará a indicação "End" e ouvir-se-á um sinal sonoro a cada 2 minutos, até se carregar em algum botão ou a porta ser aberta.

ACERTAR O RELÓGIO

Este forno tem um relógio que pode ser usado no modo de 12 ou 24 horas. Para acertar o relógio, siga as instruções em baixo:

1. No modo standby (espera), carregue e mantenha o botão **HORA/DEFINIR RELÓGIO** durante pelo menos 3 segundos para entrar no modo para acertar o relógio.
 2. Carregue no botão **HORA/DEFINIR RELÓGIO** para seleccionar o modo do relógio de 12 ou 24.
 3. Gire o **MARCADOR GIRATÓRIO** para definir a hora. Carregue no botão **HORA/DEFINIR RELÓGIO** para guardar.
 4. Gire o **MARCADOR GIRATÓRIO** para definir os minutos. Carregue no botão **HORA/DEFINIR RELÓGIO** para guardar e sair do modo de definição do relógio.
- Não é preciso ter o relógio com a hora certa para o forno funcionar normalmente.
 - Enquanto no modo de cozedura, carregue no botão **HORA/DEFINIR RELÓGIO** para ver a hora (se estiver definida). A hora mudará para a contagem decrescente da cozedura ao fim de 5 segundos. Tenha em conta que se o temporizador de cozinha tiver sido definido, não será possível ver a hora.

COZINHAR COM MICRO-ONDAS

Para usar a função de micro-ondas, siga as instruções em baixo:

1. No modo de standby (espera), carregue no botão de **POTÊNCIA DO MICRO-ONDAS** para selecionar o nível de potência. De cada vez que carregar no botão, o mostrador apresentará o nível de potência do micro-ondas.
2. Assim que tiver sido selecionado o nível de potência do micro-ondas desejado, gire o **MARCADOR GIRATÓRIO** para selecionar a hora da cozedura.
3. Carregue no botão **INÍCIO/INÍCIO RÁPIDO** para começar a cozinhar.
4. Quando um ciclo de cozedura terminar, o mostrador apresentará a indicação “End” e ouvir-se-á um sinal sonoro a cada 2 minutos, até se carregar em algum botão ou a porta ser aberta.

Veja a tabela em baixo para obter orientações. O seu forno tem 10 níveis de potência de micro-ondas. Estes são 20%, 40%, 60%, 80% e 100%. A voltagem atual de saída pode ser calculada multiplicando a potência do micro-ondas pela percentagem.

Guia de cozedura com micro-ondas:

Mostrador	Potência do Micro-ondas	Sugestão de utilização
P100	100 %	Use esta definição para cozinhar depressa ou para reaquecer, por exemplo, para estufados, bebidas quentes, legumes, etc.
P-80	80 %	Para alimentos denso que exigem um tempo de cozedura longo quando cozinhados de forma convencional, por exemplo, para pratos de carne. É aconselhável usar este nível de potência para que a carne fique tenra.
P-60	60 %	Usado para cozedura longa de alimentos densos, por exemplo assados, rolo de carne e refeições prontas, bem como para pratos delicados, como molho de queijo ou bolos esponja.
P-40	40 %	Definições de descongelar; seleccione este nível de potência para que os alimentos se descongelem uniformemente. Este nível é também ideal para fazer arroz, massa, pastéis e leite creme.
P-20	20 %	Para um descongelar suave, por ex., de bolos ou massas.

- Durante a cozedura pode verificar o nível da potência de cozedura carregando e mantendo o botão da **POTÊNCIA DO MICRO-ONDAS**.
- A duração máxima da cozedura é de 95 minutos.

INÍCIO RÁPIDO

Se precisar de cozinhar com um nível de potência de 100%, carregue no botão **INÍCIO/INÍCIO RÁPIDO** no **MARCADOR GIRATÓRIO** enquanto estiver no modo de standby (espera). De cada vez que se carregar no botão **INÍCIO/INÍCIO RÁPIDO**, este acrescentará 30 segundos ao tempo de cozedura.

COZINHAR COM O GRILL*

O elemento aquecedor do grill no cimo da cavidade do forno tem apenas uma definição de potência, que é eficaz e económica. O grill é perfeito para cozinhar bacon, bife de fiambre, douradinhos e biscoitos.

Use a grelha do grill para grelhar pequenos alimentos, como bacon e salsichas. Vire ao contrário a meio da cozedura. Os alimentos podem ser colocados diretamente na grelha ou numa travessa ou loiça própria para ir ao forno. Para garantir que não cai gordura ou óleo dos alimentos durante a cozedura, garanta que há um tabuleiro adequado por baixo da grelha do grill.

Quando tostar a superfície de alimentos numa travessa, pode usar a grelha do grill, caso o recipiente seja suficientemente baixo. No entanto, recomenda-se que coloque estes recipientes diretamente no prato giratório e permitir um pouco mais de tempo para tostar como gostar. Não será possível usar a grelha do grill para grelhar.

Para usar a função do grill, siga as instruções em baixo:

1. No modo de standby (espera), carregue no botão **GRILL** para selecionar a função do grill. O mostrador apresentará a indicação "**Grill**".
2. Gire o **MARCADOR GIRATÓRIO** para selecionar a duração da cozedura.
3. Carregue no botão **INÍCIO/INÍCIO RÁPIDO** para começar a cozinhar.
4. Quando um ciclo de cozedura terminar, o mostrador apresentará a indicação "**End**" e ouvir-se-á um sinal sonoro a cada 2 minutos, até se carregar em algum botão ou a porta ser aberta.

* - *Apenas para modelos com Grill.*

MICRO-ONDAS+GRILL*

Ao usar ambas as funções de micro-ondas e grill, é possível tostar os alimentos mais depressa. Para usar a função do micro-ondas e do grill, siga as instruções em baixo:

1. No modo de standby (espera), carregue uma ou duas vezes no botão **MICROWAVE + GRILL** para selecionar "Co-1" ou "Co-2".
2. Gire o **MARCADOR GIRATÓRIO** para definir a duração da cozedura.
3. Carregue no botão **INÍCIO/INÍCIO AUTOMÁTICO** para iniciar.
4. Quando um ciclo de cozedura terminar, o mostrador apresentará a indicação "End" e ouvir-se-á um sinal sonoro a cada 2 minutos, até se carregar em algum botão ou a porta ser aberta.

Função do Micro-ondas + Grill

Mostrador	Resultado	Sugestão de utilização
Co-1	70% grill 30% micro-ondas.	Peças de frango, peito de frango, costeletas de porco
Co-2	56% grill 44% micro-ondas.	Frango inteiro

- A duração máxima da cozedura com o grill é de 95 minutos.
- Enquanto grelhar, permita que o fumo ou cheiros se dispersem abrindo uma janela ou ligando o exaustor da cozinha. Isto é normal e não é um defeito do forno.
- Durante a cozedura pode verificar a combinação da potência de cozedura tocando no botão **MICRO-ONDAS + GRILL**.
- Quando usar a função do grill, o grill liga-se e desliga-se em intervalos regulares para evitar o sobreaquecimento.
- Quando usar a função do MICRO-ONDAS+GRILL, os alimentos podem ser colocados num recipiente adequado diretamente sobre o prato giratório do forno ou na grelha do grill fornecida.

ATENÇÃO: a porta, a armação exterior, a cavidade do forno, os acessórios e os pratos ficarão muito quentes durante a operação. Para evitar queimaduras, use sempre luvas grossas.

* - *Apenas para modelos com Grill.*

MENU AUTOMÁTICO

Para sua comodidade, os programas automáticos permitem que os alimentos sejam cozinhados de forma rápida e eficaz, apenas carregando em alguns botões. Não é necessário programar a duração e a potência de cozedura; é necessário apenas carregar no botão de cozedura automática exigido, introduzir o peso/peças girando o **MARCADOR GIRATÓRIO** e carregar no botão INÍCIO/INÍCIO RÁPIDO.

Por exemplo, para cozinhar duas batatas recheadas.

1. Abra a porta e coloque os alimentos no interior do forno usando loiça adequada para o ciclo de cozedura a ser usado.
2. Feche a porta.
3. Carregue uma vez no botão **BATATAS RECHEADAS**.
4. Gire o **MARCADOR GIRATÓRIO** para introduzir o número de batatas.
5. Carregue no botão **INÍCIO/INÍCIO RÁPIDO**.
6. Quando um ciclo de cozedura terminar, o mostrador apresentará a indicação “**End**” e ouvir-se-á um sinal sonoro a cada 2 minutos, até se carregar em algum botão ou a porta ser aberta.

Menus de cozedura automática:

Programas automáticos	Tamanho/Peso
Refeições congeladas Descongelar automático Reaquecer automático	Selecione o peso girando o MARCADOR GIRATÓRIO . Refeições congeladas e reaquecer automático (200 a 800g), descongelar automático (100 a 1800g)
Reaquecer bebidas	Selecione o número de copos (200 ml cada) girando o controlo do MARCADOR GIRATÓRIO . 1 a 3 copos.
Batatas Recheadas	Selecione o número de batatas (230 g cada) girando o controlo do MARCADOR GIRATÓRIO . 1 ou 2 batatas.
Pizza	Selecione o peso da pizza (150 g / 300 g / 450 g) girando o controlo do MARCADOR GIRATÓRIO .
Pipocas	Selecione o número de embalagens de pipocas (100 g cada) girando o controlo do MARCADOR GIRATÓRIO .
Legumes Frescos	Selecione o peso dos legumes (200 g a 600 g) girando o controlo do MARCADOR GIRATÓRIO .
Papas	Selecione o peso das papas (gramas) girando o controlo do MARCADOR GIRATÓRIO . 50 a 150 g.
Bife grelhado (apenas modelos com grill)	Selecione o peso do bife (200 g a 600 g) girando o controlo do MARCADOR GIRATÓRIO
Frango grelhado (apenas modelos com grill)	Selecione o peso do frango (200 g a 600 g) girando o controlo do MARCADOR GIRATÓRIO .
Peixe grelhado (apenas modelos com grill)	Selecione o peso do peixe (200 g a 600 g) girando o controlo do MARCADOR GIRATÓRIO .

- Os resultados da cozedura automática dependem de fatores, como o formato e o tamanho dos alimentos, as suas preferências pessoais e se determinados alimentos estão muito ou pouco cozinhados, bem como o modo como os alimentos estão colocados no forno. Caso os resultados da cozedura não sejam satisfatórios, ajuste a duração da cozedura para se adaptar.

Nota: O botão do menu automático é usado apenas nos modelos YC-PG204A e YC-PS204A. De cada vez que se carregar no botão do menu automático, o mostrador apresentará o programa automático como na tabela em cima. Quando se encontrar o menu automático desejado, gire o controlo do **MARCADOR GIRATÓRIO** para selecionar o peso dos alimentos a serem cozinhados.

Detalhes do Programa Automático

Alimento	Quantidade	Temperatura Inicial	Técnica de confeção
Reaquecer bebidas	1 a 3 chávenas 1 chávena = 200 ml	Ambiente	<ol style="list-style-type: none"> 1. Coloque a bebida a ser reaquecida no centro do prato giratório do micro-ondas. 2. Feche a porta, carregue no botão REAQUECER BEBIDAS e seleccione o número de chávenas através do botão rotativo. 3. Carregue no botão INÍCIO/INÍCIO RÁPIDO para começar a aquecer. 4. Quando o temporizador parar, retire a sua bebida. Tenha cuidado pois esta estará quente.
Batatas com casca	1 a 2 batatas 1 batata = 230±10 g	Ambiente	<ol style="list-style-type: none"> 1. Lave e seque cada batata. Perfure as batatas com um garfo várias vezes. 2. Coloque as batatas no centro do prato giratório do micro-ondas. 3. Feche a porta, carregue no botão BATATA C/CASCA e seleccione o número de batatas através do botão rotativo. 4. Carregue no botão INÍCIO/INÍCIO RÁPIDO para começar a aquecer. 5. Quando o temporizador parar, retire as batatas do micro-ondas. Tenha cuidado pois estarão quentes.
Pizza	150 a 450 g	Congelada -18 °C	<ol style="list-style-type: none"> 1. Coloque a pizza num prato adequado para o micro-ondas no centro do prato giratório. 2. Feche a porta, carregue no botão PIZZA e seleccione o peso através do botão rotativo. 3. Carregue no botão INÍCIO/INÍCIO RÁPIDO para começar a cozinhar. 4. Quando o temporizador parar, retire a pizza do micro-ondas. Tenha cuidado pois estará quente.
Pipocas	100 g	Ambiente	<ol style="list-style-type: none"> 1. Coloque as pipocas no centro do prato giratório do micro-ondas. 2. Feche a porta e carregue no botão PIPOCAS. 3. Carregue no botão INÍCIO/INÍCIO RÁPIDO para começar a cozinhar. 4. Quando o temporizador parar, retire as pipocas do micro-ondas. Tenha cuidado pois estarão quentes.
Refeição congelada	200 a 800 g	Congelada -18 °C	<ol style="list-style-type: none"> 1. Coloque a refeição congelada num prato adequado para o micro-ondas e cubra com película aderente. Perfure a película com um garfo. 2. Coloque a refeição no centro do prato giratório do micro-ondas. 3. Feche a porta, carregue no botão REFEIÇÃO CONGELADA e seleccione o peso através do botão rotativo. 4. Carregue no botão INÍCIO/INÍCIO RÁPIDO para começar a cozinhar. 5. Quando o temporizador parar, retire a refeição e sirva-a. Tenha cuidado pois estará quente.
Legumes Frescos	200 a 600 g	Ambiente	<ol style="list-style-type: none"> 1. Lave e corte os legumes em pedaços pequenos; sensivelmente, 25-30 mm de comprimento e 10 mm de espessura. 2. Coloque os legumes cortados numa taça de cerâmica adequada para o micro-ondas e cubra com película aderente. Perfure a película com um garfo. 3. Coloque a taça no centro do prato giratório do micro-ondas. 4. Feche a porta, carregue no botão LEGUMES FRESCOS e seleccione o peso através do botão rotativo. 5. Carregue no botão INÍCIO/INÍCIO RÁPIDO para começar a cozinhar. 6. Quando o temporizador parar, retire a refeição e sirva-a. Tenha cuidado pois estará quente.
Papas	50 a 150 g	Ambiente	<ol style="list-style-type: none"> 1. Misture as papas de aveia e o leite numa taça. Sugerimos 180 ml de leite por 50 g de aveia. 2. Coloque a taça no centro do prato giratório. 3. Feche a porta, carregue no botão PAPAS e seleccione o peso através do botão rotativo. 4. Carregue no botão INÍCIO/INÍCIO RÁPIDO para começar a cozinhar. 5. Quando o temporizador parar, retire e sirva.
Reaquecer automático	200 a 800 g	Frigorífico 5 °C	<ol style="list-style-type: none"> 1. Coloque o arroz frio ou a massa numa taça de cerâmica adequada para o micro-ondas e cubra com película aderente. Perfure a película com um garfo. 2. Coloque a taça no centro do prato giratório do micro-ondas. 3. Feche a porta, carregue no botão REAQUECER AUTOMÁTICO e seleccione o peso através do botão rotativo. 4. Carregue no botão INÍCIO/INÍCIO RÁPIDO para começar a cozinhar. 5. Quando o temporizador parar, retire e sirva.
Bifes grelhados	200 a 600 g	Ambiente	<ol style="list-style-type: none"> 1. Distribua uniformemente a carne pela grelha do grill previamente coberta com papel vegetal. 2. Coloque a grelha do grill no centro do prato giratório do micro-ondas. 3. Feche a porta, carregue no botão BIFE GRELHADO e seleccione o peso através do botão rotativo. 4. Carregue no botão INÍCIO/INÍCIO RÁPIDO para começar a cozinhar. 5. Após 2/3 do tempo de cozedura, abra a porta para virar os alimentos. Feche a porta e continuar a cozinhar. 6. Quando o temporizador parar, retire a refeição e sirva-a. Tenha cuidado pois os alimentos e utensílios estarão quentes.
Pedaços de frango grelhado	200 a 600 g	Ambiente	<ol style="list-style-type: none"> 1. Distribua uniformemente os pedaços de frango pela grelha do grill previamente coberta com papel vegetal. 2. Coloque a grelha do grill no centro do prato giratório do micro-ondas. 3. Feche a porta, carregue no botão Frango Grelhado e seleccione o peso através do botão rotativo. 4. Carregue no botão INÍCIO/INÍCIO RÁPIDO para começar a cozinhar. 5. Após 2/3 do tempo de cozedura, abra a porta para virar os alimentos. Feche a porta e continuar a cozinhar. 6. Quando o temporizador parar, retire a refeição e sirva-a. Tenha cuidado pois os alimentos e utensílios estarão quentes.
Filetos de peixe grelhado	100 a 500 g	Ambiente	<ol style="list-style-type: none"> 1. Distribua uniformemente os filetes de peixe pela grelha do grill previamente coberta com papel vegetal. 2. Coloque a grelha do grill no centro do prato giratório do micro-ondas. 3. Feche a porta, carregue no botão PEIXE GRELHADO e seleccione o peso através do botão rotativo. 4. Carregue no botão INÍCIO/INÍCIO RÁPIDO para começar a cozinhar. 5. Após 2/3 do tempo de cozedura, abra a porta para virar os alimentos. Feche a porta e continuar a cozinhar. 6. Quando o temporizador parar, retire a refeição e sirva-a. Tenha cuidado pois os alimentos e utensílios estarão quentes.

Nota	Modo do forno e método usado	YC-PS204A	YC-PS234A e YC-PS254A	YC-PG204A	YC-PG234A, YC-PG254A e YC-PG284A
	Apenas micro-ondas a 100%	1 chávina - 1:40 minutos 2 chávina: 3:00 minutos 3 chávina: 4:20 minutos	1 chávina - 1:30 minutos 2 chávina: 2:40 minutos 3 chávina: 3:50 minutos	1 chávina - 1:40 minutos 2 chávina: 3:00 minutos 3 chávina: 4:20 minutos	1 chávina - 1:30 minutos 2 chávina: 2:40 minutos 3 chávina: 3:50 minutos
	Apenas micro-ondas a 100%	1 batata - 6:00 minutos 2 batatas: 9:00 minutos 3 batatas: 13:00 minutos	1 batata - 5:00 minutos 2 batatas: 08:00 minutos 3 batatas: 12:00 minutos	1 batata - 6:00 minutos 2 batatas: 09:00 minutos 3 batatas: 13:00 minutos	1 batata - 5:00 minutos 2 batatas: 08:00 minutos 3 batatas: 12:00 minutos
Nos modelos YC-P-S204A e YC-PG204A, deve carregar no botão AUTO MENU até o programa aparecer.	Apenas micro-ondas a 100%	150 g: 1:00 minutos 300 g: 1:30 minutos 450 g: 2:00 minutos	150 g - 0:50 minutos 300 g: 1:20 minutos 450 g: 1:50 minutos	150 g: 1:00 minutos 300 g: 1:30 minutos 450 g: 2:00 minutos	150 g - 0:50 minutos 300 g: 1:20 minutos 450 g: 1:50 minutos
	Apenas micro-ondas a 100%	100 g: 3:00 minutos	100 g: 2:00 minutos	100 g: 3:00 minutos	100 g: 2:30 minutos
	Micro-ondas a 100% durante 1/2 do tempo, depois 0% durante 1/6 do tempo e por fim 100% durante 1/3 do tempo	200 g: 8:00 minutos 400 g: 11:00 minutos 600 g: 15:00 minutos 800 g: 18:00 minutos	200 g: 06:00 minutos 400 g: 09:00 minutos 600 g: 13:00 minutos 800 g: 16:00 minutos	200 g: 08:00 minutos 400 g: 11:00 minutos 600 g: 15:00 minutos 800 g: 18:00 minutos	200 g: 06:00 minutos 400 g: 09:00 minutos 600 g: 13:00 minutos 800 g: 16:00 minutos
Nos modelos YC-P-S204A e YC-PG204A, deve carregar no botão AUTO MENU até o programa aparecer.	Apenas micro-ondas a 100%	200 g: 3:30 minutos 300 g: 4:30 minutos 400 g: 5:30 minutos 500 g: 6:30 minutos 600 g: 7:30 minutos	200 g: 3:00 minutos 300 g: 4:00 minutos 400 g: 5:00 minutos 500 g: 6:00 minutos 600 g: 7:00 minutos	200 g: 3:30 minutos 300 g: 4:30 minutos 400 g: 5:30 minutos 500 g: 6:30 minutos 600 g: 7:30 minutos	200 g: 3:00 minutos 300 g: 4:00 minutos 400 g: 5:00 minutos 500 g: 6:00 minutos 600 g: 7:00 minutos
Nos modelos YC-P-S204A e YC-PG204A, deve carregar no botão AUTO MENU até o programa aparecer.	Micro-ondas - 100%	50 g: 2:00 minutos 100 g: 3:30 minutos 150 g: 5:30 minutos	50 g: 2:00 minutos 100 g: 3:30 minutos 150 g: 5:30 minutos	50 g: 2:00 minutos 100 g: 3:30 minutos 150 g: 5:30 minutos	50 g: 2:00 minutos 100 g: 3:30 minutos 150 g: 5:30 minutos
No modelo YC-P-G204A, deve carregar no botão AUTO MENU até o programa aparecer.	Apenas micro-ondas a 100%	200 g: 2:00 minutos 300 g: 2:40 minutos 400 g: 3:20 minutos 500 g: 4:00 minutos 600 g: 4:40 minutos 700 g: 5:20 minutos 800 g: 6:00 minutos	200 g: 1:30 minutos 300 g: 2:00 minutos 400 g: 2:30 minutos 500 g: 3:00 minutos 600 g: 3:30 minutos 700 g: 4:00 minutos 800 g: 4:30 minutos	200 g: 2:00 minutos 300 g: 2:40 minutos 400 g: 3:20 minutos 500 g: 4:00 minutos 600 g: 4:40 minutos 700 g: 5:20 minutos 800 g: 6:00 minutos	200 g: 1:30 minutos 300 g: 2:00 minutos 400 g: 2:30 minutos 500 g: 3:00 minutos 600 g: 3:30 minutos 700 g: 4:00 minutos 800 g: 4:30 minutos
No modelo YC-P-G204A, deve carregar no botão AUTO MENU até o programa aparecer.	O micro-ondas funciona a 100% durante 10 segundos, depois o grill liga-se durante 23 segundos. Este ciclo repete-se até ao fim do tempo de cozedura. O micro-ondas e o grill nunca estão ligados ao mesmo tempo.	N/A	N/A	200 g: 15:00 minutos 300 g: 18:00 minutos 400 g: 21:00 minutos 500 g: 24:00 minutos 600 g: 27:00 minutos	200 g: 15:00 minutos 300 g: 18:00 minutos 400 g: 21:00 minutos 500 g: 24:00 minutos 600 g: 27:00 minutos
No modelo YC-P-G204A, deve carregar no botão AUTO MENU até o programa aparecer.	O micro-ondas funciona a 100% durante 10 segundos, depois o grill liga-se durante 23 segundo. Este ciclo repete-se até ao fim do tempo de cozedura. As micro-ondas e o grill nunca estão ligados ao mesmo tempo.	N/A	N/A	200 g: 15:00 minutos 300 g: 18:00 minutos 400 g: 21:00 minutos 500 g: 24:00 minutos 600 g: 27:00 minutos	200 g: 15:00 minutos 300 g: 18:00 minutos 400 g: 21:00 minutos 500 g: 24:00 minutos 600 g: 27:00 minutos
No modelo YC-P-G204A, deve carregar no botão AUTO MENU até o programa aparecer.	O micro-ondas funciona a 100% durante 10 segundos, depois o grill liga-se durante 23 segundo. Este ciclo repete-se até ao fim do tempo de cozedura. As micro-ondas e o grill nunca estão ligados ao mesmo tempo.	N/A	N/A	100 g: 12:00 minutos 200 g: 15:00 minutos 300 g: 18:00 minutos 400 g: 21:00 minutos 500 g: 24:00 minutos	100 g: 12:00 minutos 200 g: 15:00 minutos 300 g: 18:00 minutos 400 g: 21:00 minutos 500 g: 24:00 minutos

DESCONGELAR AUTOMÁTICO

O descongelar automático permite-lhe descongelar alimentos pelo peso. A duração de descongelar e o nível de potência são definidos automaticamente assim que forem programados a categoria dos alimentos e o peso. O peso dos alimentos congelados vai de 100g a 1800g.

1. No modo de standby (espera), carregue no botão **DESCONGELAR AUTOMÁTICO**.
2. Gire o controlo do **MARCADOR GIRATÓRIO** para selecionar o peso dos alimentos a serem descongelados.
3. Carregue no botão **INÍCIO/INÍCIO RÁPIDO** para iniciar o ciclo de descongelar.
4. Caso o forno pare durante o ciclo de descongelar, vire os alimentos ao contrário para garantir que descongelam uniformemente e volte a carregar em **INÍCIO/INÍCIO RÁPIDO** para descongelar durante o tempo restante.
5. Quando um ciclo de cozedura terminar, o mostrador apresentará a indicação **"End"** e ouvir-se-á um sinal sonoro a cada 2 minutos, até se carregar em algum botão ou a porta ser aberta.

Descongelar Automático - Função

Modelo	Intervalo de peso	Intervalo de tempo para descongelar	Função de descongelar	Método
YC-PG204A	100 a 1800 g	5,5 a 39,5 minutos	Micro-ondas a 40% durante 1/3 do tempo, depois 20% durante o restante 1/3 do tempo. Aviso para virar, depois do alimento virado este irá descongelar a 20% durante o tempo restante.	1. Coloque o alimento congelado num prato adequado para o micro-ondas e cubra com película aderente. Perfure a película com um garfo. 2. Coloque o prato no centro do prato giratório do micro-ondas. 3. Feche a porta, carregue no botão DESCONGELAR AUTOMÁTICO e selecione o peso através do botão rotativo. 4. Carregue no botão INÍCIO/INÍCIO RÁPIDO para começar a descongelar. 5. No decorrer do ciclo de descongelamento, o forno irá parar e pedir para virar os alimentos. 6. Abra a porta e vire ou reorganize a disposição dos alimentos. Feche a porta. 7. Carregue no botão INÍCIO/INÍCIO RÁPIDO para continuar a descongelar. 8. Quando o temporizador parar, retire os alimentos do forno. Verifique se os alimentos estão completamente descongelados.
YC-PG204A	100 a 1800g	5,5 a 39 minutos		
YC-PS234A e YC-PG234A	100 a 1800 g	5,5 a 39,5 minutos	Micro-ondas a 20% em metade do tempo, aviso para virar. 20% de potência durante o tempo restante.	
YC-PS254A, YC-PG254A e YC-PG284A	100 a 1800 g	5,5 a 37 minutos	Micro-ondas a 30% durante 1/3 do tempo, depois 20% durante o restante 1/3 do tempo. Aviso para virar, depois do alimento virado este irá descongelar a 20% durante o tempo restante.	

REQUECER AUTOMÁTICO*

O forno permite-lhe reaquecer alimentos com base no peso introduzido pelo utilizador.

A duração e o nível de potência de reaquecer são automaticamente definidos assim que forem programados a categoria e o peso dos alimentos.

O peso dos alimentos a serem reaquecidos vai de 100g a 1800g

1. No modo de standby (espera), carregue no botão **REQUECER AUTOMÁTICO**.
2. Gire o controlo do **MARCADOR GIRATÓRIO** para selecionar o peso dos alimentos a serem reaquecidos.
3. Carregue no botão **INÍCIO/INÍCIO RÁPIDO**.
4. Quando um ciclo de cozedura terminar, o mostrador apresentará a indicação **"End"** e ouvir-se-á um sinal sonoro a cada 2 minutos, até se carregar em algum botão ou a porta ser aberta.

* - Apenas para modelos com Grill.

TEMPORIZADOR DE COZINHA

O forno vem equipado com um temporizador de cozinha que irá fazer a contagem decrescente da duração definida.

1. No modo de espera (standby), carregue uma vez no botão **HORA/DEFINIR RELÓGIO**.
2. Gire o **MARCADOR GIRATÓRIO** para selecionar a duração desejada. A duração maior é de 95 minutos.
3. Carregue no botão **INÍCIO/INÍCIO RÁPIDO** para confirmar.
4. O mostrador entrará em contagem decrescente durante o tempo definido.
5. Quando o mostrador chegar a zero, ouvir-se-á um sinal sonoro.

É também possível usar o temporizador de cozinha no modo de cozedura. Para o fazer, siga os passos definidos em cima enquanto os alimentos estiverem a ser cozinhados. Assim que o temporizador de cozinha tiver sido ativado, este aparecerá no mostrador durante cinco segundos; depois, o mostrador voltará à contagem decrescente desse ciclo de cozedura. Para voltar a ver o temporizador, carregue uma vez no botão **HORA/DEFINIR RELÓGIO** e o temporizador de cozinha aparecerá durante cinco segundos, passando depois à contagem decrescente.

- Para cancelar **TIMER**, carregue no botão **STOP/ECO** e o mostrador apresentará a hora.
- Caso tenha sido iniciado um ciclo de cozedura, é possível iniciar o temporizador de cozinha seguindo os passos em cima.

FUNÇÃO DE POUPANÇA DE ENERGIA

Esta função permite poupar energia quando o forno não estiver a ser usado. Para ativar esta função no modo de standby (espera), carregue e mantenha o botão **STOP/ECO** durante 3 segundos. O mostrador desligar-se-á e o forno entrará no modo de poupança de energia.

Para cancelar o modo de poupança de energia, carregue em qualquer botão ou abra e fecha a porta do forno.

FUNÇÃO DE SILENCIAR

É possível silenciar quaisquer sons do micro-ondas usando a função de silenciar. Para definir a função de silenciar, carregue uma vez no botão do **BLOQUEIO DE CRIANÇAS** e o mostrador apresentará a indicação "**oFF**" durante 5 segundos. Enquanto estiver no modo silenciado, não se ouvirá nenhum som ao carregar nos botões.

Para desligar a função mudo, pressione o botão **BLOQUEIO DE CRIANÇAS** uma vez, o display mostrará "**on**" por 5 segundos para indicar que o som foi ligado novamente.

Se a função de silenciar tiver sido definida e o forno for desligado da corrente, esta será cancelada quando a corrente for retomada.

BLOQUEIO DE SEGURANÇA

Esta é uma função automática para evitar a utilização não vigiada do forno por parte de crianças. No modo standby (espera), se não for usado durante um minuto, o forno entrará automaticamente no modo de bloqueio de segurança e a indicação "**Loc**" aparecerá no mostrador. No modo de bloqueio, todos os botões são desativados. Se carregar em qualquer botão, a indicação de bloqueio aparecerá no mostrador durante 5 minutos a relembrar o utilizador de cancelar o bloqueio de segurança.

Para desligar o bloqueio de segurança basta abrir a porta do micro-ondas e o teclado voltará a ficar ativo e o indicador de bloqueio apagar-se-á.

BLOQUEIO DE CRIANÇAS

Para definir o BLOQUEIO DE CRIANÇAS, carregue e mantenha o botão **BLOQUEIO DE CRIANÇAS** durante 3 segundos. Ouvir-se-á um apito longo e o mostrador apresentará a indicação "**Loc**". O forno está agora no modo de BLOQUEIO DE CRIANÇAS. Enquanto estiver neste modo, o mostrador apresentará a hora e, se alguém carregar em algum botão, ou a porta for aberta, aparecerá a indicação "**Loc**" durante 5 segundos.

Para cancelar o BLOQUEIO DE CRIANÇAS, carregue e mantenha o botão **BLOQUEIO DE CRIANÇAS** durante 3 segundos até ouvir um apito prolongado.

LIMPEZA E MANUTENÇÃO

- Quando limpar, desligue o forno e retire a ficha da tomada de alimentação.
- Mantenha o interior do forno limpo. Quando salpicos de comida ou líquidos derramados se colarem às paredes, teto ou base do forno, limpe com um pano húmido. Podem usar-se detergentes suaves, caso o forno fique muito sujo. Evite usar sprays ou outros agentes de limpeza agressivos. Estes podem manchar, riscar ou matizar a superfície da porta.
- A parte exterior do forno deve ser limpa com um pano húmido. Para evitar danos nas peças de funcionamento do interior do forno, não se deve deixar entrar água nas aberturas de ventilação.
- Limpe a porta e a janela de ambos os lados, as vedações da porta e as peças adjacentes com um pano húmido para remover eventuais salpicos ou derrames.
- Não use agentes de limpeza abrasivos.
- Não limpe a vapor.
- Não permita que o painel de controlo fique molhado. Limpe com um pano macio húmido. Quando limpar o painel de controlo, deixe a porta do forno aberta para evitar que o forno se ligue acidentalmente.
- Se se acumular vapor no interior ou à volta da parte exterior da porta do forno, limpe com um pano macio. Isto pode acontecer quando o micro-ondas funciona em condições de grande humidade. Não é uma anomalia.
- O prato giratório da base, o suporte do prato giratório e o acoplamento devem ser limpos regularmente para evitar contaminação e potencial arco elétrico/danos. Basta limpar com um detergente suave.
- Remova cheiros do forno misturando um copo de água com sumo e casca de um limão numa tigela própria para o micro-ondas. Aqueça no micro-ondas durante 5 minutos. Limpe exaustivamente e seque com um pano macio.
- Se a lâmpada se fundir, contacte o apoio ao cliente para saber o que fazer.
- O forno deve ser limpo com regularidade e devem ser removidos quaisquer depósitos de comida. Não manter o forno limpo pode provocar a deterioração da superfície, o que poderá afetar adversamente a vida útil da unidade e poderá eventualmente provocar uma situação perigosa.
- Não elimine este eletrodoméstico no caixote do lixo doméstico. Veja os conselhos do seu país sobre a eliminação deste tipo de produtos.

LOIÇA PRÓPRIA PARA O FORNO

1. O material ideal para utensílios para o micro-ondas é transparente para micro-ondas, pois permite que a energia passe através do recipiente e aqueça os alimentos
2. As micro-ondas não conseguem penetrar no metal, pelo que não devem ser usados utensílios metálicos ou pratos com uma risca metálica.
3. Não use produtos de papel reciclado quando cozinhar com micro-ondas, pois podem conter pequenos fragmentos metálicos que podem provocar faíscas e /ou fogo.
4. São mais recomendados pratos redondos/ovais do que quadrados/alongados, pois os alimentos nos cantos têm tendência a ficar cozinhados demais.
5. Podem usar-se tiras finas de película de alumínio para evitar que as zonas expostas se cozinhem excessivamente. Tenha cuidado para não usar muitas e mantenha uma distância de 2,54 cm entre a película e a cavidade.

A lista seguinte é um guia geral para ajudar a seleccionar os utensílios de cozinha corretos.

Loiça de cozinha	Micro-ondas Segura	Grill	Comentários
Loiça de barro	✓ / ✗	✗	Siga sempre as instruções do produtor. Não ultrapasse os tempos de cozedura indicados. Tenha muito cuidado, pois estes recipientes podem ficar muito quentes.
Porcelana e cerâmica	✓ / ✗	✗	Porcelana, cerâmica, panelas de barro e porcelana de ossos em geral podem ser usadas, à exceção daquelas que tiverem decorações metálicas.
Vidro resistente ao calor	✓	✓	Deve ter-se cuidado para garantir que a loiça de vidro é adequada para usar num forno micro-ondas.
Vidro não resistente ao calor	✗	✗	
Cerâmica resistente ao calor	✓	✓	Certifique-se de que os materiais de cerâmica não são espessos de mais ou com alto teor de minerais.
Prato de plástico próprio para o micro-ondas	✓	✗	Verifique sempre se a loiça de plástico é adequada para usar no micro-ondas.
Papel de cozinha	✓ / ✗	✗	Use apenas papel de cozinha recomendado para usar em fornos micro-ondas.
Loiça de vidro, por ex., Pyrex®	✓ / ✗	✓	Tenha cuidado se usar loiça de vidro sensível, pois este pode partir-se ou estalar se for aquecido repentinamente.
Tabuleiro metálico	✗	✓	Não é recomendável o uso de loiça metálica, pois irá provocar faíscas e pode provocar um incêndio.
Grelha metálica	✗	✓	Não é recomendável o uso de loiça metálica, pois irá provocar faíscas e pode provocar um incêndio.
Película de alumínio Recipientes de alumínio	✓ / ✗	✓	Podem usar-se pequenos pedaços de película de alumínio para evitar que os alimentos se sobreaqueçam. Mantenha a película a pelo menos 2,54cm das paredes do forno, pois pode provocar arco elétrico. Não se recomendam recipientes de alumínio, a não ser que seja especificado pelo produtor, por ex., Microfoil®, siga as instruções com cuidado.
Película aderente	✓	✗	Não deve tocar nos alimentos e deve estar furada para deixar sair o vapor.
Plástico/Esferovite, por ex., recipientes de fast food	✓	✗	Tenha em atenção que alguns recipientes podem deformar-se, derreter ou perder a cor quando expostos a temperaturas elevadas.
Sacos de congelar/assar	✓	✗	Deve estar perfurado para deixar sair o vapor. Certifique-se de que os sacos são apropriados para usar no micro-ondas.
Pratos/copos de papel e papel de cozinha	✓	✗	Não utilize atilhos de plástico ou metal, pois podem derreter ou pegar fogo devido a arcos elétricos metálicos.
Recipientes de verga e madeira	✓	✗	Utilize apenas para aquecer ou para absorver humidade. Deve-se ter cuidado, pois o sobreaquecimento pode provocar um incêndio.
Papel reciclado e jornais	✗	✗	Esteja sempre com atenção ao forno quando usar estes materiais, pois podem sobreaquecer e provocar um incêndio. Podem conter extratos de metal, o que provocará fagulhas e pode provocar um incêndio.



ATENÇÃO: Quando aquecer alimentos em recipientes de plástico ou papel, controle o forno devido à possibilidade de ignição.

NOTA: Não deixe o forno sem supervisão enquanto estiver a funcionar.

CONSELHOS DE CULINÁRIA DO MICRO-ONDAS

Os micro-ondas cozinham mais rapidamente do que a cozedura tradicional. Por isso, é essencial que se sigam certas técnicas para garantir bons resultados. Muitas das seguintes técnicas são semelhantes às usadas na cozedura tradicional.



ATENÇÃO: Os líquidos e alimentos não devem ser aquecidos em recipientes fechados ou boiões/ recipientes com tampas, pois dentro deles formar-se-á pressão e poderá provocar uma explosão.

NOTAS SOBRE OS CONSELHOS DE CULINÁRIA:

- Preste atenção ao forno quando este estiver em uso.
- Certifique-se de que os utensílios são adequados para o uso em fornos de micro-ondas.
- Use apenas pipocas de micro-ondas que tenham uma embalagem adequada (siga as instruções do produtor). Não use nunca óleo, a não ser que o produtor o refira e nunca cozinhe mais tempo do que o indicado.



ATENÇÃO: Se exceder o tempo de cozedura recomendado e usar níveis de potência demasiado altos, os alimentos podem sobreaquecer, queimar-se e em circunstâncias extremas pegar fogo e danificar o forno.

Acomodar

Coloque as partes mais espessas dos alimentos na borda do prato, por exemplo, coxas de frango.

Os alimentos colocados virados para fora do prato receberão mais energia, cozinhar-se-ão mais depressa do que os do centro.

Cubrir

Certos alimentos beneficiam se forem tapados durante a cozedura no micro-ondas.

Use uma película aderente ventilada ou uma tampa adequada.

Perfure

Alimentos com casca, pele ou membranas devem ser perfurados em vários locais antes de cozinhar ou reaquecer, pois formar-se-á vapor que poderá provocar a explosão do alimento.

por ex., Batatas, Peixe, Frango, Salsichas.

NOTA: Os ovos não devem ser aquecidos usando a potência de micro-ondas, pois podem explodir, mesmo depois da cozedura terminar, por ex., escalfados, estrelados, cozidos.

Mexa, vire e volte a acomodar

Para uma cozedura uniforme é essencial mexer, virar e voltar a acomodar os alimentos durante a cozedura. Mexa e acomode sempre do exterior para o interior.

Deixe repousar

O tempo de repouso é necessário após a cozedura, pois permite que o calor seja distribuído uniformemente pela comida.

Características dos alimentos	
Composição	Alimentos ricos em gorduras ou açúcar (por ex., bolo de Natal, tartes de carne) exigem menos tempo de aquecimento. Deve ter-se cuidado, pois o sobreaquecimento pode provocar um incêndio. Os ossos nos alimentos conduzem o calor, cozinhando os alimentos mais rapidamente. Deve ter-se o cuidado de garantir que os alimentos são cozinhados uniformemente.
Densidade	A densidade dos alimentos afeta a quantidade de tempo de cozedura necessária. Alimentos leves e porosos, como bolos ou pão, são cozinhados mais depressa do que alimentos pesados, densos, como assados ou guisados.
Quantidade	O número de micro-ondas no seu forno é sempre o mesmo, independentemente da forma como os alimentos estão a ser cozinhados. O tempo de cozedura deve ser aumentado conforme aumenta a quantidade de alimentos colocados no forno. Por ex., quatro batatas demoram mais a cozinhar do que duas.
Medida	Alimentos e pedaços pequenos cozinham-se mais depressa do que alimentos grandes, pois as micro-ondas podem penetrar de todos os lados até ao centro. Para cozinhar uniformemente, prepare os pedaços todos do mesmo tamanho.
Forma	Alimentos com formas irregulares, como peito ou coxas de frango, demoram mais tempo a cozinhar nas partes mais espessas. Para cozinhar uniformemente, coloque as partes mais espessas viradas para fora do prato, onde poderão receber mais energia. Formas arredondadas cozinham mais uniformemente do que formas quadradas em fornos micro-ondas.
Temperatura dos alimentos	A temperatura inicial dos alimentos afeta a quantidade de tempo de cozedura necessário. Alimentos frios demoram mais tempo a cozinhar do que alimentos à temperatura ambiente. A temperatura do recipiente não é um indicador verdadeiro da temperatura dos alimentos ou das bebidas. Corte os alimentos com recheio, por exemplo, donuts com recheio, para soltar o calor ou o vapor



ATENÇÃO: Cara e Mãos: Use sempre luvas para retirar os alimentos ou a loiça do forno. Afaste-se quando abrir a porta, para permitir que o calor ou vapor dispersem. Quando retirar coberturas (como película aderente), abrir sacos de assar ou embalagens de pipocas, direcione o vapor para longe da sua cara e mãos.



ATENÇÃO: Verifique a temperatura dos alimentos e bebidas e misture antes de servir. Tenha particular atenção quando servir bebés, crianças ou idosos. O conteúdo de biberons e boiões de comida devem ser mexidos ou agitados e a temperatura verificada antes de se consumir, de modo a evitar queimaduras.

CONSELHOS SOBRE DESCONGELAR

Usar o micro-ondas é o método mais rápido para descongelar. É um processo simples, porém as seguintes instruções são essenciais para garantir que os alimentos são devidamente descongelados.

- Retire todo o tipo de embalagens e invólucros antes de descongelar.
- Para descongelar alimentos, use os níveis de potência do micro-ondas de P-20 a P-40.
- Consulte a informação seguinte em baixo.

Volte a acomodar

Os alimentos que estão virados para fora no prato descongelar-se-ão mais rapidamente do que os alimentos no centro. Por isso, é essencial voltar a acomodá-los até 4 vezes durante o processo.

Mude as peças de viradas para fora para o meio e volte a acomodar as zonas de sobreposição.

Isto irá garantir que todas as peças ficarão uniformemente descongeladas.

Separe

Os alimentos podem estar presos uns aos outros quando retirados do congelador. É importante separar os alimentos assim que for possível durante a descongelação.

Por ex., fatias de bacon, bifés de peru.

Proteja

Algumas zonas dos alimentos que estão a ser descongelados podem ficar quentes. Para evitar que estas se aqueçam demasiado e comecem a cozinhar, elas podem ser cobertas com pequenos pedaços de película que reflita as micro-ondas, por ex., coxas e asas de um frango.

Deixe repousar

O tempo de repouso é necessário para garantir que os alimentos são totalmente descongelados

O processo de descongelar não termina quando se retiram os alimentos do micro-ondas. Os alimentos devem repousar, tapados, durante um certo período de tempo para garantir que ficam completamente descongelados.

Vire ao contrário

É essencial que todos os alimentos sejam virados ao contrário pelo menos 4 vezes durante o descongelar.

Isto é importante para garantir um descongelar completo.

CONSELHOS SOBRE REAQUECER

Para o reaquecimento de alimentos, siga os conselhos e instruções em baixo para garantir que os alimentos são devidamente aquecidos antes de os servir.

Refeições no prato

Retire todo o tipo de doses de carne ou aves; aqueça-as separadamente, veja em baixo.

Coloque os pedaços mais pequenos de comida no meio do prato e os maiores nas bordas. Cubra com película aderente ventilada para o micro-ondas e reaqueça em P-50. Misture/volte a acomodar a meio do processo de reaquecimento.

NOTA: Certifique-se de que os alimentos foram totalmente reaquecidos antes de os servir.

Carne fatiada

Cubra com película aderente ventilada para o micro-ondas e reaqueça em P-60. Volte a acomodar os alimentos pelo menos uma vez para garantir um reaquecimento uniforme.

NOTA: Certifique-se de que a carne foi totalmente reaquecida antes de servir.

Doses de frango

Coloque os pedaços mais espessos da dose virados para a borda do prato, cubra com película aderente ventilada para o micro-ondas e reaqueça em P-70.

Vire ao contrário a meio do processo de reaquecimento.

NOTA: Verifique que as aves foram totalmente reaquecidas antes de servir.

Guisados

Cubra com película aderente ventilada para o micro-ondas ou com uma tampa apropriada e reaqueça em P-50. Mexa com frequência para garantir um reaquecimento uniforme.

NOTA: Certifique-se de que os alimentos foram totalmente reaquecidos antes de os servir.

Para alcançar os melhores resultados quando quiser reaquecer, escolha um nível de potência do micro-ondas apropriado para esse tipo de alimento, por ex., uma taça com legumes pode ser reaquecida usando o nível de potência P-100, enquanto que uma lasanha, que tem ingredientes que não podem ser misturados, deve ser reaquecida a P-40.

NOTAS:

- Retire os alimentos de recipientes de plástico ou metal antes de os reaquecer.
- O tempo de reaquecimento é afetado pela forma, densidade, quantidade e temperatura dos alimentos, bem como pelo tamanho, forma e material do recipiente.



ATENÇÃO: Nunca aqueça líquidos em recipientes com um gargalo estreito, pois isto pode provocar uma erupção do conteúdo e pode causar queimaduras.

- Para evitar sobreaquecimento e incêndios, devem ser tidos cuidados especiais quando reaquecer alimentos com grande quantidade de açúcar ou gordura, como por exemplo, tortas ou doces de Natal.
- Nunca aqueça óleo ou gordura para fritar, pois isto pode levar a um sobreaquecimento e incêndio.
- Batatas enlatadas não devem ser aquecidas no forno de micro-ondas. Siga as instruções do produtor na embalagem.



ATENÇÃO: O conteúdo de biberons e boiões de comida de bebé deve ser mexido ou agitado e a temperatura verificada antes de consumir, para evitar queimaduras.

RESOLUÇÃO DE PROBLEMAS

Caso considere que o forno não está a funcionar devidamente, há alguns pontos que pode verificar sozinho, antes de contactar um engenheiro. Isto ajudará a evitar chamadas desnecessárias para a assistência técnica, caso o problema seja algo simples.

Siga este exame simples:

Coloque meio copo de água no prato giratório e feche a porta. Defina o temporizador para cozinhar durante 1 minuto usando o nível de potência do micro-ondas P-100.

1. A lâmpada do forno acende-se enquanto se cozinha?
2. A ventoinha de arrefecimento funciona? (Verifique colocando a mão por cima da abertura de ventilação.)
3. Ao fim de 1 minuto ouve-se o sinal sonoro?
4. A água no copo está quente? Se a sua resposta a alguma destas questões for "NÃO", verifique em primeiro lugar se o forno está devidamente ligado à corrente e se o fusível não disparou. Se não houver nenhum problema com nenhuma destas coisas, verifique novamente a tabela de resolução de problemas em baixo.



ATENÇÃO: Nunca ajuste, repare ou altere o forno sozinho. É perigoso para alguém que não um engenheiro formado da SHARP efetuar trabalhos de manutenção ou reparação. Isto é importante, pois pode envolver a remoção de capas que fornecem proteção contra a energia de micro-ondas.

- As vedações da porta impedem a fuga de micro-ondas durante o funcionamento do forno, mas não são herméticas. É normal ver gotas de água, luz, ou sentir ar quente perto da porta do forno. Alimentos com muita humidade irão libertar vapor e provocar condensação dentro da porta, que poderá gotejar do forno.
- Reparações e alterações: Se o forno não estiver a funcionar corretamente, não tente colocá-lo em funcionamento.
- Estrutura exterior e acesso à lâmpada: Nunca retire a estrutura exterior. Isto é muito perigoso devido à alta voltagem de peças no interior que não devem ser tocadas nunca, pois isso pode ser fatal. O seu forno não vem com uma capa de acesso à lâmpada. Se a lâmpada se fundir, não tente substituí-la sozinho, ligue a uma unidade de assistência técnica da SHARP.

TABELA DE RESOLUÇÃO DE PROBLEMAS

PERGUNTA	RESPOSTA
Há uma corrente de ar a circular à volta da porta.	Enquanto o forno trabalha, circula ar dentro da cavidade. A porta não veda de forma hermética, pelo que pode sair ar através dela.
Forma-se condensação dentro do forno, que pode pingar da porta.	A cavidade do forno normalmente está mais fria do que os alimentos que estão a ser cozinhados, por isso o vapor produzido durante a cozedura irá condensar na superfície mais fria. A quantidade de vapor produzido depende do teor de água no alimento a ser cozinhado. Alguns alimentos, como batatas, têm um alto teor de água. A condensação presa no vidro da porta deve desaparecer ao fim de algumas horas.
Clarões e faíscas dentro da cavidade enquanto se cozinha.	Quando um objeto metálico se aproxima muito da cavidade do forno durante a cozedura podem ocorrer faíscas. Isto poderá tornar a superfície da cavidade mais áspera, mas não irá danificar de outro modo o forno.
Batatas com faíscas	Certifique-se de que todos os "olhos" das batatas foram retirados e de que foram furadas. Coloque-as diretamente sobre o prato giratório, ou numa travessa resistente ao calor, ou semelhante.
Ao usar o forno no modo só de grill, vê-se que a resistência de aquecimento não está ligada o tempo todo.	Isto deve-se ao facto da resistência do grill ligar-se e desligar-se para manter a temperatura do forno a um nível predefinido.
Ao usar o grill no modo combinado, este não parece estar ligado.	Durante o modo de cozedura combinado (micro-ondas e grill), o forno irá alternar entre as duas funções. As funções de micro-ondas e grill não serão ligadas em simultâneo.
O forno não funciona quando se carrega no botão INÍCIO/ INÍCIO RÁPIDO.	Verifique se a porta está devidamente fechada.
O forno cozinha muito devagar.	Verifique que selecionou o nível de potência correto.
O forno faz barulho.	Conforme a energia micro-ondas é ativada e desativada, pode ser ouvido um zumbido, este ruído é normal.
Quando acaba de cozinhar, o forno emite um som ou parece continuar a trabalhar.	No fim do ciclo de cozedura, a ventoinha pode continuar em funcionamento durante vários minutos para arrefecer o forno. Isto é normal.
A estrutura exterior está quente.	A estrutura pode ficar quente - mantenha as crianças afastadas.
A indicação "LoC" aparecerá no mostrador quando se carrega em algum botão.	Ao fim de 30 segundos, o forno entrará no modo bloqueado em que nenhum botão pode ser ativado. Abra e feche a porta para os botões voltarem a funcionar. Verifique também se a unidade não está no modo bloqueado.
A indicação "Fail" aparece no mostrador e ouve-se um apito vindo do forno de minuto em minuto.	Se os botões do painel de controlo forem carregados continuamente durante mais de 1 minuto, isto acontecerá. Desligue o forno da corrente durante uns minutos e volte a ligar.
O forno apita a cada 30 segundos.	Depois da cozedura acabar, enquanto a porta não é aberta, ouvir-se-á um apito a cada 30 segundos. Para cancelar este aviso, abra e feche a porta.

ANTES DE LIGAR À ASSISTÊNCIA TÉCNICA

Antes de ligar à assistência técnica verifique cada um dos pontos em baixo:

- Verifique se o forno está ligado à tomada com firmeza. Se não, retire a ficha da tomada, aguarde 10 segundos e volte a ligá-la com firmeza.
- Verifique se algum fusível saltou ou se um disjuntor disparou. Caso pareçam funcionar corretamente, teste a tomada com outro eletrodoméstico.
- Certifique-se de que os manípulos de potência e do temporizador estão devidamente definidos.
- Certifique-se de que a porta está a encaixar devidamente no sistema de bloqueio de segurança. Caso contrário, a energia das micro-ondas não irá fluir dentro do forno.

SE NENHUM DOS PONTOS ACIMA CORRIGIR A SITUAÇÃO, CONTACTE UM TÉCNICO QUALIFICADO. NÃO TENHA TENTADO AJUSTAR OU REPARAR O FORNO SOZINHO.



Atenție:

Atenție: produsul dumneavoastră este marcat cu acest simbol. El indică faptul că produsele electrice și electronice uzate nu trebuie amestecate cu deșeurile menajere. Pentru aceste produse există un sistem de colectare separat.



www.sharpconsumer.com/contact/



www.sharpconsumer.com/support/



www.sharpconsumer.com/documents-of-conformity/

A. Informații pentru utilizatori privind casarea (gospodării)

1. În Uniunea Europeană

Atenție: Dacă doriți să eliminați acest dispozitiv, acesta nu poate fi tratat ca un reziduu menajer!

Echipamentele electrice și electronice uzate trebuie tratate separat și în concordanță cu legislația în vigoare referitoare la tratarea, recuperarea și reciclarea corespunzătoare a echipamentelor electrice și electronice uzate. După implementarea în țările membre, gospodăriile din Uniunea Europeană pot returna gratuit echipamentele electrice și electronice uzate la punctele adecvate de colectare*.

În unele țări*, produsele uzate pot fi preluate gratuit de furnizorul local în momentul cumpărării unui produs nou similar.

*) Pentru mai multe detalii, vă rugăm să contactați autoritățile locale.

În cazul în care echipamentul dvs. electric sau electronic vechi are baterii sau acumulatori, eliminați-le separat în prealabil, în conformitate cu regulamentele locale. Prin tratarea corectă a acestui produs ajutați ca deșeurii să i se aplice tratamentul necesar, să fie recuperat sau reciclat. În acest mod ajutați la prevenirea potențialelor efecte negative asupra mediului sau a sănătății oamenilor, care ar putea apărea prin tratarea necorespunzătoare a deșeurii.

2. În alte țări din afara UE

Dacă doriți să eliminați acest produs, vă rugăm să contactați autoritățile locale și să întrebați care este modul corect de tratare.

Pentru Elveția: echipamentele electrice sau electronice uzate pot fi returnate gratuit furnizorului, chiar dacă nu cumpărați un produs nou.

Lista punctelor de colectare poate fi găsită la adresa www.swico.ch sau www.sens.ch.

B. Informații despre eliminare pentru Utilizatori comerciali

1. În Uniunea Europeană

Dacă acest produs este utilizat în scopuri de afaceri și doriți să-l eliminați: Vă rugăm să contactați furnizorul SHARP, care vă va informa despre modul de preluare a produsului. Uneori, această preluare se face contra cost. Produsele mici (și în cantități mici) pot fi preluate de punctele locale de colectare.

Pentru Spania: Vă rugăm să contactați sistemul de colectare stabilit sau autoritățile locale pentru preluarea produselor uzate.

2. În alte țări din afara UE

Dacă doriți să eliminați acest produs, vă rugăm să contactați autoritățile locale și să întrebați care este modul corect de tratare.

Pentru service consultați www.sharpconsumer.com/contact/, pentru drepturile dvs. conform garanției accesați www.sharpconsumer.com/support/ sau contactați distribuitorul de la care ați achiziționat produsul.

Declarațiile de conformitate sunt disponibile pe www.sharpconsumer.com/documents-of-conformity/

PRECAUȚII PENTRU A EVITA EXPUNEREA POSIBILĂ LA ENERGIA CU MICROUNDDE

1. Nu încercați să utilizați acest cuptor cu ușa deschisă, deoarece acest lucru poate duce la expunerea dăunătoare la energia microunddelor. Este important să nu ignorați sau să modificați blocajele de siguranță.
2. Nu introduceți nimic între partea frontală a cuptorului și ușa și nu lăsați resturi sau reziduuri de produse de curățare să se acumuleze pe suprafețele de etanșare.
3. Nu utilizați cuptorul dacă este deteriorat. Este foarte important ca ușa cuptorului să se închidă corect și să nu existe urme de deteriorare la ușa, balamale, sistemele de închidere sau garniturile ușii și la suprafețele de etanșare.
4. Nu încercați să reparați sau să reglați cuptorul.

CUPRINS

INSTRUCȚIUNI IMPORTANTE DE SIGURANȚĂ.....	3
INSTALARE.....	11
INTERFERENȚĂ RADIO.....	12
INSTRUCȚIUNI DE ÎMPĂMÂNTARE.....	12
SPECIFICAȚII.....	12
CUPTORUL ȘI ACCESORIILE.....	13
PANOUL DE COMANDĂ.....	14
ÎNAINTE DE A UTILIZA CUPTORUL.....	15
SETAREA CEASULUI.....	15
GĂTIREA CU MICROUNDDE.....	16
PORNIRE RAPIDĂ.....	17
GĂTIREA GRILL*.....	17
MICROUNDDE+GRILL*.....	18
MENIU AUTOMAT.....	19
DECONGELAREA AUTOMATĂ.....	22
REÎNCĂLZIRE AUTOMATĂ*.....	22
TEMPORIZATOR BUCĂTĂRIE.....	23
FUNCȚIA DE ECONOMISIRE ENERGIE.....	23
FUNCȚIA SILENȚIOS.....	24
BLOCAREA DE SIGURANȚĂ.....	24
BLOCAREA DE PROTECȚIE PENTRU COPII.....	24
CURĂȚARE ȘI ÎNGRIJIRE.....	25
VASE ADECVATE.....	26
SFATURI DE GĂTIRE LA CUPTORUL CU MICROUNDDE.....	27
SFATURI PENTRU DECONGELARE.....	29
SFATURI PENTRU REÎNCĂLZIRE.....	30
DEPANAREA.....	31
ÎNAINTE DE A APELA LA ASISTENȚĂ.....	33

* - Numai pentru modelele cu grill.

INSTRUCȚIUNI IMPORTANTE DE SIGURANȚĂ

CITIȚI CU ATENȚIE ȘI PĂSTRAȚI PENTRU CONSULTARE ULTERIOARĂ

Pentru a evita pericolul de incendiu. Cuptorul cu microunde nu trebuie lăsat nesupravegheat în timpul utilizării. Nivelurile de putere foarte mari sau timpii de gătire foarte lungi pot supraîncălzi alimentele, ceea ce poate duce la apariția incendiilor.

Acest cuptor este destinat numai pentru utilizarea pe blat. Nu poate fi incorporat în unitatea de bucătărie. Nu plasați cuptorul în dulap. Priza electrică trebuie să fie ușor accesibilă, astfel încât unitatea să poată fi deconectată cu ușurință în caz de urgență.

Sursa de alimentare c.a. trebuie să fie de 230-240 V, 50 Hz, cu o siguranță de minimum 10 A sau cu un întrerupător de circuit de minimum 10 A. Trebuie prevăzut un circuit separat care să servească numai acest aparat.

Nu amplasați cuptorul în zone în care se generează căldură. De exemplu, în apropierea cuptoarelor clasice. Nu instalați cuptorul cu microunde în locuri cu umiditate mare sau unde se poate aduna apă. Nu depozitați și nu utilizați cuptorul în aer liber.

Dacă observați fum, opriți sau deconectați cuptorul și lăsați ușa închisă pentru a înăbuși eventualele flăcări.

Folosiți numai recipiente și ustensile care pot fi utilizate în cuptorul cu microunde. Ustensilele trebuie verificate pentru a se asigura că sunt adecvate pentru utilizare în cuptoarele cu microunde.

Când încălziți mâncare în recipiente din plastic sau din hârtie, țineți cuptorul sub observație, întrucât există posibilitatea aprinderii recipientelor.

Curățați capacul ghidajului de microunde și interiorul cuptorului. Acestea trebuie să fie uscate și fără urme de grăsime.

me. Grăsimea acumulată se poate supraîncălzi și poate să înceapă să scoată fum sau să ia foc.

Nu așezați materiale inflamabile în apropierea cuptorului sau a orificiilor pentru ventilare. Nu blocați orificiile de ventilare.

Îndepărtați de pe mâncare și de pe recipiente toate dispozitivele de etanșare metalice, din sârmă etc. Arcul electric produs de suprafețele metalice poate duce la producerea unui incendiu.

Nu utilizați cuptorul cu microunde pentru a încălzi uleiul pentru prăjire în baie de ulei. Temperatura nu poate fi controlată și uleiul se poate aprinde.

Pentru a prepara popcorn, utilizați numai pungii speciale pentru microunde.

Nu depozitați alimente sau alte articole în interiorul cuptorului.

După pornirea cuptorului, verificați setările pentru a vă asigura că acesta funcționează corespunzător.

Nu lăsați cuptorul nesupravegheat în timpul funcționării.

Pentru a evita supraîncălzirea și incendiile, trebuie avută o atenție deosebită când gătiți sau reîncălziți alimente cu un conținut ridicat de zahăr sau grăsimi, de exemplu, cârnați, plăcinte sau budinci. Consultați sfaturile aferente din manualul de utilizare.

Pentru a evita producerea leziunilor. AVERTISMENT:

Nu utilizați cuptorul dacă este avariat sau funcționează necorespunzător. Înainte de utilizare, efectuați următoarele verificări:

- a) Asigurați-vă că ușa se închide corespunzător și nu este închisă incorect sau deformată.
- b) Asigurați-vă că balamalele și închiderile de siguranță ale ușii nu sunt rupte sau slăbite.
- c) Asigurați-vă că garniturile și suprafețele de etanșare ale ușii nu prezintă urme de deteriorare.

d) Asigurați-vă că interiorul cuptorului sau ușa nu prezintă ciobituri.

e) Asigurați-vă că ștecherul și cablul de alimentare nu au fost deteriorate.

În cazul deteriorării ușii sau a garniturilor de etanșare ale ușii, cuptorul nu trebuie utilizat înainte de a fi reparat de către o persoană specializată.

Nu reglați, reparați sau modificați singuri cuptorul. Este periculos ca altcineva în afară de persoanele competente să realizeze lucrări de service sau reparații care necesită îndepărtarea carcasei de protecție împotriva expunerii la energia microundelor.

Nu utilizați cuptorul cu ușa deschisă și nu realizați niciun fel de modificări asupra închiderilor de siguranță ale ușii. Nu utilizați cuptorul dacă există un obiect între garniturile ușii și suprafețele de etanșare.

Nu lăsați să se acumuleze grăsime sau mizerie pe garniturile ușii sau în zonele din jurul acesteia. Curățați cuptorul în mod regulat și îndepărtați orice urme de mâncare.

Respectați instrucțiunile de „Curățare și întreținere”. Nerespectarea instrucțiunilor de curățare a cuptorului poate duce la deteriorarea suprafeței acestuia, care poate afecta durata de viață a aparatului și genera chiar situații posibil periculoase.

Persoanele cu stimulator cardiac trebuie să consulte un medic sau producătorul stimulatorului în cazul în care intenționează să utilizeze cuptorul cu microunde.

Pentru a evita posibilitatea de electrocutare.

- Nu îndepărtați sub nicio formă carcasa exterioară.
- Nu vărsați și nu introduceți obiecte în deschiderile dispozitivului de blocare a ușii sau în orificiile pentru ventilare.

În cazul vărsării unui lichid, opriți aparatul, scoateți imediat cablul de alimentare din priză și adresați-vă unui agent de service SHARP.

- Nu introduceți cablul de alimentare sau ștecherul în apă sau în alte lichide.
- Nu lăsați cablul de alimentare să atârne peste marginea unei mese sau a unei alte suprafețe de lucru.
- Păstrați cablul de alimentare departe de suprafețele fierbinți, inclusiv de partea din spate a cuptorului.
- Nu permiteți accesul copiilor mai mici de 8 ani în apropierea aparatului electrocasnic și al cablului acestuia.
- Nu încercați să înlocuiți singuri becul cuptorului și nu lăsați o persoană neautorizată de SHARP să facă acest lucru. Dacă becul este ars, consultați furnizorul dumneavoastră sau un agent de service autorizat SHARP.
- În cazul în care cablul de alimentare este deteriorat, acesta trebuie înlocuit de către un agent autorizat de service SHARP.

AVERTISMENT: Lichidele și alte alimente nu trebuie încălzite în recipiente etanșe întrucât sunt susceptibile să explodeze. Încălzirea la microunde a băuturilor poate duce la fierberea eruptivă a acestora, de aceea recipientele trebuie manevrate cu grijă. Pentru a evita producerea unei explozii și fierberea bruscă:

Nu utilizați niciodată recipiente etanșe. Îndepărtați dispozitivele de etanșare și capacele înainte de utilizare. Recipientele etanșe pot exploda din cauza acumulării de presiune chiar și după ce cuptorul a fost oprit. Aveți grijă la încălzirea lichidelor în cuptorul cu microunde. Utilizați un recipient cu gură largă pentru a permite bulelor să iasă.

Nu încălziți niciodată lichide în containere cu gură îngustă, cum ar fi sticlele pentru sugari. Lichidul încălzit poate să erupă din sticlă cauzând arsuri grave.

Pentru a preveni fierberea eruptivă a lichidelor și producerea de arsuri:

1. Nu utilizați o perioadă lungă de timp.
2. Amestecați lichidul înainte de încălzire / reîncălzire.
3. Se recomandă introducerea unei ustensile din sticlă sau alt material similar (dar nu metal) în lichid în timpul reîncălzirii.
4. Lăsați lichidul în cuptor la finalul timpului de gătire pentru cel puțin 20 de secunde pentru a preveni fierberea eruptivă.

Nu gătiți ouăle în coajă, iar ouăle fierte tari nu trebuie încălzite în cuptoare cu microunde, deoarece pot exploda chiar după ce s-a încheiat gătitul la microunde. Pentru a găti sau reîncălzi ouăle nepreparate, înțepați gălbenușul și albușul. Curățați și tăiați ouăle fierte tari înainte de a le reîncălzi în cuptorul cu microunde.

Înțepați coaja cartofilor, cărnașilor sau a fructelor înainte de gătit, altfel acestea pot exploda.

AVERTISMENT: Conținutul biberoanelor sau al borcanelor cu mâncare pentru bebeluși trebuie amestecat sau agitat, iar temperatura trebuie verificată înainte de consumare, pentru a preveni arsurile. Folosiți șervete de bucătărie sau mănuși de cuptor când scoateți alimentele din cuptor pentru a preveni arsurile. Pentru a evita posibilitatea unor arsuri:

- Țineți întotdeauna la distanță de față recipientele, dispozitivele de făcut popcorn, pungile pentru gătit în cuptor etc. când le deschideți pentru a evita arsurile cu aburi sau fierberea eruptivă. Pentru a evita arsurile, testați întotdeauna temperatura mâncării și amestecați-o înainte de servire și acordați atenție specială temperaturii mâncării și a băuturilor date bebelușilor, copiilor sau vârstnicilor. Părțile accesibile pot deveni fierbinți în timpul utilizării. Feriți copiii mici de aceste situații.

- Temperatura recipientului nu reprezintă o indicație reală a temperaturii alimentelor sau a băuturilor; verificați întotdeauna temperatura alimentelor.
- Nu stați în dreptul ușii cuptorului atunci când o deschideți pentru a evita arsurile produse de aburi și de căldură.
- Tăiați alimentele gătite după încălzire pentru a elibera aburul și a evita arsurile.
- Copiii trebuie ținuti la distanță de ușa aparatului pentru a preveni producerea de arsuri.

AVERTISMENT: Lăsați copiii cu vârsta de cel puțin 8 ani să utilizeze cuptorul fără supraveghere numai când aceștia au primit instrucțiuni adecvate, astfel încât să poată utiliza cuptorul în siguranță și să înțeleagă pericolele utilizării neadecvate.

Când aparatul funcționează în modul GRILL, GRILL MIXT, CONVECȚIE, CONVECȚIE MIXT și MENU AUTOMAT (mod aplicabil modelului), din cauza temperaturilor mari generate, copiii vor utiliza cuptorul numai sub supravegherea adulților.

Acest aparat nu este destinat utilizării de către persoanele (inclusiv copiii) cu capacități psihice, senzoriale și mentale reduse sau care nu au îndeajuns de multe cunoștințe despre utilizarea aparatului sau nu au experiență, cu excepția cazului în care acestea acționează sub supraveghere sau dacă li s-au dat instrucțiuni despre utilizarea aparatului de către o persoană responsabilă pentru siguranța lor.

Copiii trebuie supravegheați ca să nu se joace cu aparatul. Curățarea aparatului de către copii trebuie monitorizată.

Modelele cu panou tactil electronic sunt echipate cu un mod de blocare pentru copii.

Nu vă aplecați și nu vă sprijiniți de ușa cuptorului. Nu vă jucați cu cuptorul și nu îl utilizați drept jucărie.

Copiilor trebuie să li se aducă la cunoștință instrucțiunile importante de siguranță: utilizarea șervetelor de bucătărie, îndepărtarea ambalajelor cu grijă - având grijă deosebită la ambalaje (de exemplu, materialele ce rețin căldură) create pentru a găti alimente crocante, deoarece sunt foarte fierbinți.

Alte avertizări

Nu modificați cuptorul în niciun fel.

Nu mutați cuptorul în timpul funcționării.

Acest aparat este destinat utilizării în gospodărie. Acest cuptor este destinat preparării alimentelor acasă și poate fi utilizat numai pentru gătitul alimentelor și băuturilor. Uscarea alimentelor sau a îmbrăcămintei și încălzirea plăcuțelor de încălzire, a papucilor, a bureților, a cârpelor umede și altele similare poate cauza leziuni, aprindere sau incendiu. Nu este potrivit pentru uz comercial sau de laborator.

Pentru utilizarea fără probleme a cuptorului și evitarea avariilor.

Nu utilizați niciodată cuptorul când acesta este gol. Când utilizați un vas de rumenire sau un vas dintr-un material ce reține căldura, așezați întotdeauna sub acesta un material izolator termorezistent cum ar fi platourile din porțelan pentru a preveni deteriorarea bazei cuptorului din cauza căldurii. Nu depășiți timpul de preîncălzire specificat în instrucțiunile de gătire.

Nu utilizați ustensile din metal, deoarece reflectă microundele și pot provoca arcuri electrice. Nu introduceți conserve în cuptor.

Pentru a preveni spargerea platoului rotativ sau a bazei cuptorului:

a) Înainte de a curăța cu apă, lăsați să se răcească.

b) Nu așezați alimente fierbinți sau reci sau ustensile fierbinți pe baza / platoul rotativ rece.

c) Nu așezați nimic pe carcasa cuptorului în timp ce acesta funcționează.

NOTĂ:

Nu utilizați recipiente din plastic pentru a găti în cuptorul cu microunde în cazul în care cuptorul este încă fierbinte în urma utilizării unui mod combinat deoarece acestea se pot topi.

Nu utilizați recipientele din plastic în timpul funcționării modurilor menționate mai sus decât dacă producătorul acestora confirmă că sunt potrivite în acest sens.

Dacă nu sunteți siguri de modul de conectare a cuptorului, consultați un electrician autorizat, calificat.

Producătorul sau furnizorul nu se face responsabil pentru avarierea cuptorului sau producerea de leziuni în urma nerespectării procedurii de conectare la sursa de alimentare cu energie.

Pe pereții cuptorului sau în jurul garniturii de etanșare se pot forma ocazional vapori de apă. Acesta este un fenomen normal și nu reprezintă o scurgere sau o defecțiune.

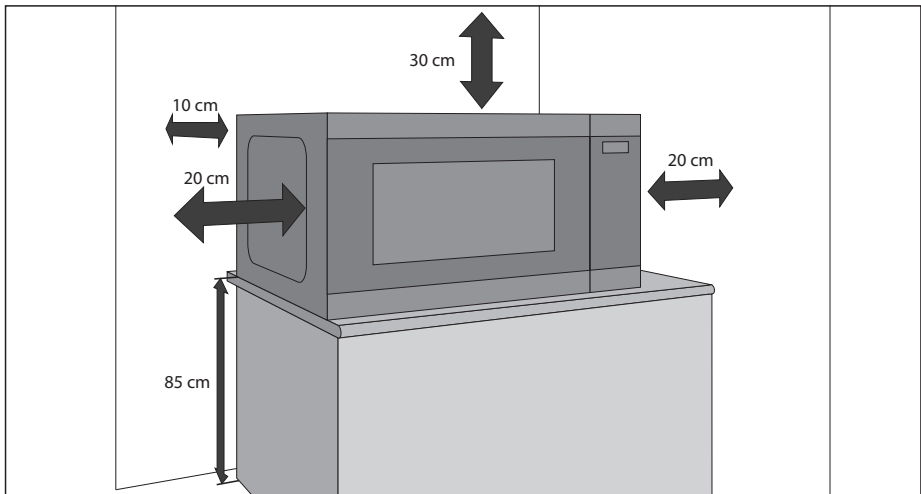
Acest aparat este destinat utilizării în gospodării și alte medii similare, precum: zone de bucătărie rezervate personalului din magazine, birouri și în alte medii profesionale / ferme / utilizare de către clienți ai hotelurilor, motelurilor și alte medii de tip rezidențial / medii de tip bed and breakfast (cazare cu mic dejun).



Acest simbol indică faptul că suprafețele se pot încălzi în timpul utilizării.

INSTALARE

1. Îndepărtați materialele de ambalare din interiorul cuptorului și îndepărtați folia de protecție de pe suprafața carcasei cuptorului cu microunde.
2. Verificați dacă produsul prezintă urme de deteriorare.
3. Amplasați cuptorul pe o suprafață plată, sigură, îndeajuns de rezistentă pentru a susține greutatea cuptorului și greutatea produselor introduse în cuptor. Nu amplasați cuptorul într-un dulap.
4. Selectați o suprafață plată care să ofere suficient spațiu liber pentru fantele de admisie și / sau de evacuare a aerului. Suprafața din spate a aparatului trebuie fixată de un perete.
 - Înălțimea minimă de instalare este de 85 cm.
 - Lăsați un spațiu minim de 20 cm între laturile cuptorului și pereții sau obiectele din apropiere.
 - Lăsați un spațiu liber minim de 30 cm deasupra cuptorului.
 - Nu îndepărtați picioarele din partea de jos a cuptorului.
 - Blocarea orificiilor de admisie și / sau de evacuare a aerului pot deteriora cuptorul.
 - Amplasați cuptorul la o distanță cât mai mare de aparatele radio și TV. Utilizarea cuptorului cu microunde poate genera interferențe recepției aparatelor radio sau TV.



5. Conectați bine ștecherul cuptorului la o priză electrică standard (cu împământare).

AVERTISMENT:

Nu amplasați cuptorul în locații în care se generează căldură, umiditate sau umiditate la un nivel ridicat (de exemplu, lângă sau deasupra cuptoarelor clasice) sau în apropierea materialelor combustibile (de exemplu, perdele).

Nu blocați și nu obstrucționați orificiile de ventilare a aerului.

Nu amplasați obiecte pe cuptor.

Nu atingeți exteriorul cuptorului cu microunde în timpul sau la scurt timp după funcționare, deoarece va fi fierbinte.

INTERFERENȚĂ RADIO

Funcționarea cuptorului cu microunde poate provoca interferențe cu aparatul de radio, cu televizorul sau cu echipamente similare. Dacă există interferențe, acestea pot fi reduse sau eliminate luând următoarele măsuri:

1. Curățați ușa și interiorul cuptorului acolo unde se întâlnesc.
2. Schimbați direcția antenei de recepție a radioului sau televizorului.
3. Schimbați poziția cuptorului cu microunde față de aparate.
4. Conectați cuptorul la o altă priză, astfel încât cuptorul cu microunde și radioreceptorul să nu fie pe aceeași sursă de alimentare.

INSTRUCȚIUNI DE ÎMPĂMÂNTARE

Acest aparat trebuie să fie împământat. Acest cuptor este echipat cu un cablu care are un fir de împământare cu un ștecher de împământare. Trebuie să fie conectat la o priză de perete care a fost instalată și împământată corespunzător. În cazul unui scurtcircuit electric, împământarea reduce riscul de electrocutare prin furnizarea unui fir de scurgere pentru curentul electric. Este recomandat să fie prevăzut un circuit separat care să servească doar cuptorul.

⚠️ AVERTISMENT: Utilizarea necorespunzătoare a ștecherului cu împământare poate duce la risc de electrocutare.

NOTĂ:

1. Dacă aveți întrebări cu privire la împământare sau instrucțiunile electrice, consultați un electrician calificat sau personalul de service.
2. Nici producătorul, nici furnizorul nu se fac responsabil pentru avarierea cuptorului sau producerea de leziuni în urma nerespectării procedurilor de conectare la sursa de alimentare cu energie.

Cablul de alimentare utilizat la cuptorul cu microunde folosește următoarele fire cu coduri de culoare:

Verde și galben = ÎMPĂMÂNTARE

Albastru = NUL

Maro = FAZĂ

SPECIFICAȚII

Denumire model:		YC-PS204A	YC-PS234A	YC-PS254A	YC-PG204A	YC-PG234A	YC-PG254A	YC-PG284A
Tensiune ca.		230~240 V, 50 Hz monofazic						
Siguranță / întrerupător de circuit		10 A						
Putere	Microunde	700 W	900 W	900 W	700 W	900 W	900 W	900 W
	Grill				900 W	1000 W	1000 W	1000 W
	Modul Oprit	< 0,5 W						
	Mod economisire energie	> 0,5 W						
	Putere ca. necesară	1200 W	1400 W	1400 W	1400 W	1400 W	1400 W	1400 W
Frecvență microunde		2450 MHz*						
Dimensiuni exterioare (lățime) x (înălțime) x (adâncime) mm		455 x 274 x 334	483 x 281 x 377	483 x 281 x 403	455 x 274 x 345	483 x 281 x 395	483 x 281 x 403	539 x 309 x 441
Dimensiuni interior cuptor (L) x (l) x (A)** mm		315 x 198 x 297	340 x 220 x 320	340 x 220 x 344	315 x 198 x 297	340 x 220 x 320	340 x 220 x 344	354 x 220 x 358
Capacitatea cuptorului		20 litri**	23 litri**	25 litri**	20 litri**	25 litri**	25 litri**	28 litri**
Diametru platou rotativ		245 mm	270 mm	270 mm	245 mm	270 mm	270 mm	325 mm
Dimensiune grătar (L) x (A) mm					190 x 79	80 x 208	80 x 208	89 x 285
Greutate		Aprox. 10,5 kg	Aprox. 12,9 kg	Aprox. 13,5 kg	Aprox. 10,9 kg	Aprox. 13,9 kg	Aprox. 13,7 kg	Aprox. 16,6 kg
Bec pentru cuptor (tip LED)		1,5 W						

* - Acest produs respectă cerințele standardului european EN55011. În conformitate cu acest standard, produsul este clasificat drept echipament din Clasa B Grup 2.

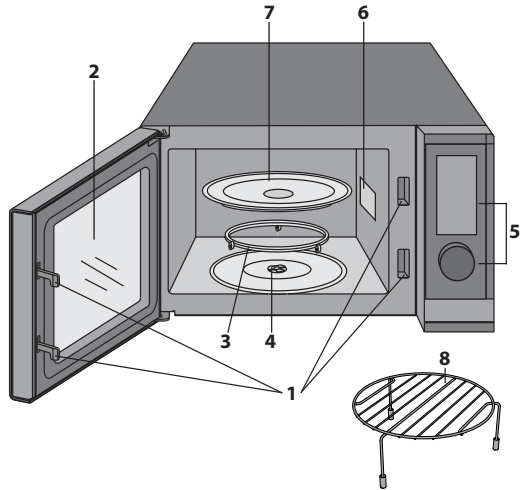
Echipament din Grupul 2 înseamnă că acesta generează intenționat energie cu frecvență radio sub formă de radiații electromagnetice pentru încălzirea alimentelor.

Echipament din Clasa B înseamnă că acesta este destinat uzului casnic.

** - Capacitatea internă este calculată prin măsurarea lungimii, adâncimii și înălțimii maxime. Capacitatea reală pentru alimente este mai mică. DATORITĂ POLITICII DE ÎMBUNĂTĂȚIRE CONTINUĂ, NE REZERVĂM DREPTUL DE A MODIFICA DESIGNUL ȘI SPECIFICAȚIILE FĂRĂ NOTIFICARE PREALABILĂ.

CUPTORUL ȘI ACCESORIILE

1. Sistem de blocare a ușii
2. Geamul cuptorului
3. Inel rotativ
4. Cuplej platou rotativ
5. Buton rotativ și butoane de control
6. Capacul ghidajului de unde (Nu îndepărtați)
7. Tavă din sticlă
8. Grătar pentru YC-PG204A, YC-PG234A, YC-PG254A și YC-PG284A
9. Orificii de ventilare
10. Carcasa exterioră
11. Cablu de alimentare



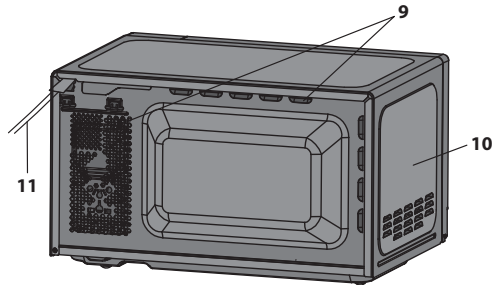
Verificați dacă următoarele accesorii au fost livrate:

Doar cuptoarele cu grill:

- **Grătar** – pentru a fi utilizat numai la gătit pe funcția grill.
- Grătarul este conceput numai pentru a fi utilizat cu cuptoare cu grill. **NU** folosiți suportul atunci când utilizați funcția de cuptor cu microunde.
- Pentru folosirea raftului grill, consultați secțiunile referitoare la GRILL din manualul de utilizare.


Nu atingeți niciodată grătarul când acesta este fierbinte.

NOTĂ: Când comandați accesorii, precizați două informații: numele părții componente și numele modelului.



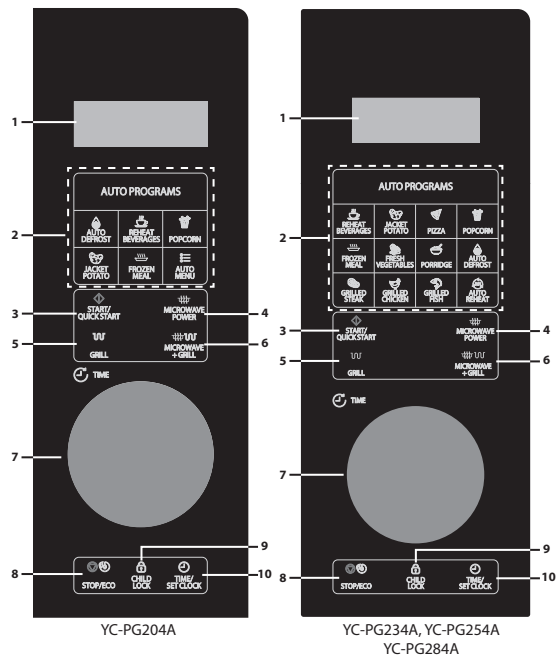
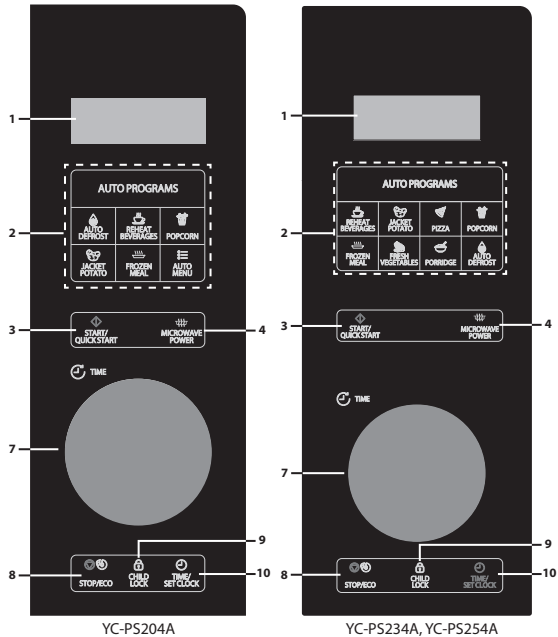
OBSERVAȚII:

- După ce gătiți mâncăruri grase fără capac, întotdeauna curățați bine interiorul, acestea trebuind să fie uscate și fără grăsime. Grăsimea acumulată se poate supraîncălzi și fumegea sau chiar lua foc.
- Când gătiți cu microunde, puneți întotdeauna vasul de gătit pe platoul rotativ.
- **NU** folosiți grătarul cu funcția de gătire numai cu microunde.

⚠️ AVERTIZARE:  acest simbol înseamnă că suprafețele se pot încălzi în timpul utilizării. Ușa, carcasa exterioră, cavitatea cuptorului, accesoriile și vasele se pot încălzi foarte tare în timpul utilizării. Pentru a preveni arsurile, utilizați întotdeauna mănuși groase de cuptor.

PANOUL DE COMANDĂ

- AFIȘAJ DIGITAL** – Sunt afișate timpul de gătit, puterea, indicatoarele și ora.
- Butoane AUTO MENU** – Apăsați pentru a selecta programul automat de gătire. (Consultați pagina 19 pentru sfaturi privind utilizarea).
- START/QUICK START** – (Pagina 17).
- MICROWAVE POWER** – Apăsați pentru a selecta nivelul de putere a microundelor. (Pagina 16).
- GRILL** – Apăsați pentru a seta programul de gătit la grill. (Pagina 17).
- MICROWAVE+GRILL** – Apăsați pentru a seta programul de gătit combinat, cu microunde și grill. (Pagina 18).
- BUTON ROTATIV** – Rotiți în sensul acelor de ceasornic sau în sens invers acelor de ceasornic pentru a seta diferite funcții.
- STOP/ECO** - Apăsați o dată pentru a opri temporar gătitul, sau de două ori pentru a anula complet gătitul. Folosiți pentru a seta modul de economisire energie. (Pagina 23).
- CHILD LOCK** – (Pagina 24).
- TIME/SET CLOCK** – Utilizați pentru a seta ora de pe ceas. Utilizați pentru a seta funcția de temporizator. (Pagina 15).



ÎNAINTE DE A UTILIZA CUPTORUL

Când cuptorul este conectat pentru prima dată, se va auzi un semnal sonor și afișajul va indica „1:00”. Rețineți că nu este nevoie ca ora să fie setată ca să funcționeze corect cuptorul. Pentru a seta ceasul, urmați instrucțiunile din secțiunea „**Setarea ceasului**” a acestui manual de utilizare.

Când grill-ul este nou, prima dată când este folosit, se vor degaja fum și mirosuri. Pentru a evita acest lucru atunci când alimentele sunt gătite, utilizați funcția grill fără alimente timp de cca. 20 de minute.

- După deschiderea și închiderea ușii, cuptorul va intra în modul standby. Dacă nu este apăsat niciun buton în decurs de 1 minut, afișajul va rămâne aprins și butoanele nu vor funcționa. Pentru a intra din nou în modul standby, deschideți și închideți ușa.
- În timpul gătirii, dacă butonul **STOP/ECO** este apăsat o dată, ciclul de gătire va fi întrerupt. Pentru a reincepe gătitul, apăsați butonul **START/QUICK START**. Dacă butonul **STOP/ECO** este apăsat de două ori, gătitul va fi anulat.
- Când programați cuptorul pentru o anumită funcție și există o pauză între apăsările butoanelor de mai mult de 30 de secunde, cuptorul va reveni în modul standby.
- Când un ciclu de gătit este finalizat, afișajul va indica „End” și se va auzi un ton la fiecare două minute până când se apasă un buton sau se deschide ușa.

SETAREA CEASULUI

Acest cuptor are un ceas care poate fi folosit în formatul de 12 sau de 24 de ore. Pentru a seta ceasul, urmați instrucțiunile de mai jos:

1. În modul standby, apăsați și țineți apăsat butonul **TIME/SET CLOCK** timp de cel puțin 3 secunde pentru a intra în modul de setare ceas.
 2. Apăsați butonul **TIME/SET CLOCK** pentru a selecta formatul de 12 sau 24 de ore pentru ceas.
 3. Rotiți **BUTONUL ROTATIV** pentru a seta ora. Apăsați butonul **TIME/SET CLOCK** pentru a salva.
 4. Rotiți **BUTONUL ROTATIV** pentru a seta minutele. Apăsați butonul **TIME/SET CLOCK** pentru a salva și ieși din modul setare ceas.
- Nu este necesar să setați ceasul ca să funcționeze normal cuptorul.
 - În modul gătit, apăsați butonul **TIME/SET CLOCK** pentru a vedea ora (dacă este setată). Ora se va schimba înapoi în număratoarea inversă pentru gătit după cinci secunde. Rețineți că ora nu poate fi vizualizată dacă a fost setat temporizatorul de bucătărie.

GĂTIREA CU MICROUNDRE

Pentru a utiliza funcția de gătire cu microundre, urmați instrucțiunile oferite mai jos:

- În modul standby, apăsați butonul **MICROWAVE POWER** pentru a selecta nivelul de putere. De fiecare dată când acest buton este apăsat, afișajul va indica nivelul de putere al cuptorului cu microundre.
- Odată ce nivelul de putere dorit al cuptorului cu microundre a fost selectat, rotiți **BUTONUL ROTATIV** pentru a selecta timpul de gătire.
- Apăsați butonul **START/QUICK START** pentru a porni procesul de gătire.
- Când ciclul de gătire este finalizat, afișajul va indica „End” și se va auzi un ton la fiecare două minute până când se apasă un buton sau se deschide ușa.

Rețineți că tabelul de mai jos este orientativ. Cuptorul dumneavoastră cu microundre are 10 niveluri de putere. Acestea sunt 10%, 20%, 30%, 40%, 50%, 60%, 70%, 80%, 90% și 100%. Puterea reală de ieșire poate fi calculată prin înmulțirea puterii microundrelor cu procentul.

Ghid de gătire la cuptorul cu microundre:

Afișaj	Nivel de putere microundre	Utilizare sugerată
P100	100 %	Utilizați această setare pentru gătit rapidă sau pentru încălzirea, de exemplu, a caserolelor, băuturilor calde, legumelor etc.
P-80	80 %	Pentru mâncăruri dense, care necesită o gătit îndelungată când sunt pregătite în mod convențional, de ex.: mâncăruri de vită. Se recomandă utilizarea acestui nivel de putere pentru a asigura frăgezimea cărnii.
P-60	60 %	Folosit pentru gătit mai îndelungată a alimentelor dense, cum ar fi fripturile, ruladele cu carne și mâncărurile în farfurie, de asemenea, pentru mâncăruri sensibile, cum ar fi sosul de brânză și pandișpanul.
P-40	40 %	Setare pentru decongelare; selectați acest nivel de putere pentru a asigura decongelarea uniformă a alimentelor. Această setare poate fi utilizată și pentru fierberea orezului, a pastelor, a găluștelor și pentru gătitul cremei de custard (din ouă și lapte).
P-20	20 %	Pentru decongelarea ușoară, de exemplu, prăjituri cu cremă sau produse de patiserie.

- În timpul gătitului, puteți verifica nivelul puterii de gătit apăsând și menținând apăsat butonul **MICROWAVE POWER**.
- Cel mai lung timp de gătit este de 95 de minute.

PORNIRE RAPIDĂ

Dacă trebuie să gătiți la nivelul de putere 100%, apăsați butonul **START/QUICK START** de pe **BUTONUL ROTATIV**, în modul standby. De fiecare dată când butonul **START/QUICK START** este apăsat, se vor adăuga 30 secunde la timpul de gătire.

GĂTIREA GRILL*

Elementul de încălzire tip Grill din partea superioară a cavității cuptorului are o singură setare de putere, este eficient și economic. Grill-ul este ideal pentru a găti bacon, friptură de porc, batoane de pește și biscuiți pentru ceai.

Folosiți grătarul pentru a găti alimente mici, cum ar fi bacon și cârnați, întoarceți-le la jumătatea pregătirii. Măncarea poate fi așezată direct pe grătar sau așezată într-un vas rotund sau pe o farfurie termorezistentă. Pentru a vă asigura că orice grăsime sau ulei care poate picura din alimentele care se gătesc, asigurați-vă că o tavă adecvată este așezată sub grătar.

Când rumeniți și faceți crocantă suprafața preparatelor într-o caserolă, grătarul poate fi folosit dacă recipientul nu este prea adânc. Cu toate acestea, este recomandabil să puneți astfel de recipiente direct pe platoul rotativ, să le lăsați puțin timp în plus să se rumenească și să devină crocante după preferință. Nu este posibil să utilizați grătarul pentru a face grătare.

Pentru a folosi funcția de gătire cu grill, urmați instrucțiunile jos:

1. În modul standby, apăsați butonul **GRILL** pentru a selecta funcția grill. Afișajul va indica "Grill"
2. Rotiți **BUTONUL ROTATIV** pentru a selecta timpul de gătire.
3. Apăsați butonul **START/QUICK START** pentru a porni procesul de gătire.
4. Când ciclul de gătire este finalizat, afișajul va indica „End” și se va auzi un ton la fiecare 2 minute până când se apasă un buton sau se deschide ușa.

* - Numai pentru modelele cu grill.

MICROUNDE+GRILL*

Folosind funcția de gătire atât cu microunde, cât și cu grill, este posibil să rumeniți și să gătiți rapid alimentele. Pentru a utiliza funcția microunde și grătar, urmați instrucțiunile de mai jos:

1. În modul standby, apăsați tasta **MICROWAVE + GRILL** o dată sau de două ori pentru a selecta „Co-1” sau „Co-2”.
2. Rotiți **BUTONUL ROTATIV** pentru a seta timpul de gătire.
3. Apăsați butonul **START/QUICK START** pentru a porni.
4. Când ciclul de gătire este finalizat, afișajul va indica „End” și se va auzi un ton la fiecare două minute până când se apasă un buton sau se deschide ușa.

Funcția microunde + grill

Afișaj	leșire	Utilizare sugerată
Co-1	70% grill / 30% microunde.	Bucăți de pui, piept de pui, cotelete de porc
Co-2	56% grill / 44% microunde.	Pui întreg

- Timpul maxim de gătire cu grill este de 95 de minute.
- În timpul preparării pe grill, lăsați fumul sau mirosurile să se disperseze deschizând o fereastră sau pornind ventilația bucătăriei. Acest lucru este normal și nu este o defecțiune a cuptorului.
- În timpul gătirii, puteți verifica puterea curentă a gătirii în modul combinat atingând butonul **MICROWAVE + GRILL**.
- Când utilizați funcția grill, aceasta se va porni și se va opri la intervale regulate pentru a preveni supraîncălzirea.
- Când folosiți funcția MICROUNDE+GRILL, mâncarea poate fi așezată într-un recipient adecvat direct pe platoul rotativ al cuptorului sau pe grătarul furnizat.

AVERTISMENT: Ușa, carcasa exterioară, interiorul cuptorului, accesoriile și vasele se vor încinge foarte tare în timpul utilizării. Pentru a evita arsurile, utilizați întotdeauna mănuși groase de cuptor.

* - Numai pentru modelele cu grill.

MENIU AUTOMAT

Pentru comoditate, programele automate permit gătirea rapidă și eficientă a alimentelor cu doar câteva apăsări de butoane. Nu este necesar să programați durata și puterea de gătire, tot ce este necesar este să apăsați butonul de gătire automată dorit, introduceți greutatea/bucățile rotind **BUTONUL ROTATIV** și apoi apăsați butonul START/QUICK START.

Spre exemplu, pentru a găti doi cartofi în coajă.

1. Deschideți ușa și puneți mâncarea în cuptor folosind vase adecvate pentru ciclul de gătire utilizat.
2. Închideți ușa.
3. Apăsați o dată butonul **JACKET POTATO**.
4. Rotiți **BUTONUL ROTATIV** pentru a selecta numărul de cartofi.
5. Apăsați butonul **START/QUICK START**.
6. Când ciclul de gătire este finalizat, afișajul va indica „End” și se va auzi un ton la fiecare două minute până când se apasă un buton sau se deschide ușa.

Meniuri pentru gătire automată:

Program Automat	Dimensiune / Greutate
Alimente congelate Decongelare automată Reîncălzire automată	Selectați greutatea rotind BUTONUL ROTATIV . Mâncare congelată și reîncălzire automată (200 la 800g), decongelare automată (100 la 1800g)
Reîncălzire băuturi	Selectați numărul de cești (200 ml fiecare) rotind BUTONUL ROTATIV . Între 1 și 3 cești.
Cartofi în coajă	Selectați numărul de cartofi (230 g fiecare) rotind BUTONUL ROTATIV . 1 sau 2 cartofi.
Pizza	Selectați ce greutate are pizza (150 g / 300 g / 450 g) rotind BUTONUL ROTATIV .
Popcorn	Selectați numărul de pachete de popcorn (100 g fiecare) rotind BUTONUL ROTATIV .
Legume proaspete	Selectați greutatea legumelor (200 g la 600 g) rotind BUTONUL ROTATIV .
Pasat	Selectați greutate de pasat (grame) rotind BUTONUL ROTATIV . Între 50 și 150 g.
Friptură la grătar (doar modelele cu grill)	Selectați greutatea fripturii (200 g la 600 g) rotind BUTONUL ROTATIV .
Pui la grătar (doar modelele cu grill)	Selectați greutatea puiului (200 g la 600 g) rotind BUTONUL ROTATIV .
Pește la grătar (doar modelele cu grill)	Selectați greutatea peștelui (200 g la 600 g) rotind BUTONUL ROTATIV .

- Rezultatul gătirii automate depinde de factori precum forma și dimensiunea alimentelor, preferințele personale cu privire la cât de făcute să fie anumite mâncăruri și de modul în care mâncarea este pusă în cuptor. Dacă rezultatul gătirii nu este satisfăcător, ajustați timpul de gătire după cum este potrivit.

Notă: Butonul Auto Menu (Meniu automat) este utilizat doar la modelele YC-PG204A și YC-PS204A. De fiecare dată când butonul Auto Menu (Meniu automat) este apăsat, afișajul va indica programul automat ca în tabelul de mai sus. Când meniul automat dorit este găsit, rotiți comanda **BUTONUL ROTATIV** pentru a selecta greutatea alimentelor care vor fi gătite.

Detalii programe automate

Aliment	Cantitate	Temperatura inițială	Tehnica de gătire
Reîncălzire băuturi	1 până la 3 căni 1 cană = 200 ml	Ambientală	<ol style="list-style-type: none"> 1. Așezați băutura care urmează să fie încălzită în centrul platoului rotativ din sticlă al cuptorului 2. Închideți ușa și apăsați butonul REÎNCĂLZIRE BĂUTURI și selectați numărul de căni rotind BUTONUL ROTATIV. 3. Apăsați butonul START/QUICK START pentru a porni procesul de gătire. 4. Când cronometrul se oprește, scoateți băutura. Fiți atenți, deoarece băutura va fi fierbinte.
Cartofi în coajă	1 până la 2 cartofi 1 cartof = 230±10g	Ambientală	<ol style="list-style-type: none"> 1. Spălați și uscați cartofii și înțepați-i de mai multe ori la suprafață cu o furculiță. 2. Așezați cartofii în centrul platoului rotativ din sticlă al cuptorului. 3. Închideți ușa și apăsați butonul CARTOF ÎN COAJĂ și selectați numărul de cartofi rotind BUTONUL ROTATIV. 4. Apăsați butonul START/QUICK START pentru a porni procesul de gătire. 5. Când cronometrul se oprește, scoateți cartofii din cuptor. Fiți atenți, deoarece mâncarea va fi fierbinte.
Pizza	150 - 450 g	Congelat -18°C	<ol style="list-style-type: none"> 1. Așezați pizza pe o farfurie pentru microunde, în centrul platoului rotativ din sticlă al cuptorului. 2. Închideți ușa și apăsați butonul PIZZA și selectați greutatea rotind BUTONUL ROTATIV. 3. Apăsați butonul START/QUICK START pentru a porni procesul de gătire. 4. Când cronometrul se oprește, scoateți pizza din cuptor. Fiți atenți, deoarece mâncarea va fi fierbinte.
Popcorn	100 g	Ambientală	<ol style="list-style-type: none"> 1. Așezați popcornul în centrul platoului rotativ din sticlă al cuptorului. 2. Închideți ușa și apăsați butonul POPCORN. 3. Apăsați butonul START/QUICK START pentru a porni procesul de gătire. 4. Când cronometrul se oprește, scoateți popcornul din cuptor. Fiți atenți, deoarece mâncarea va fi fierbinte.
Mâncare congelată	200 - 800 g	Congelat -18°C	<ol style="list-style-type: none"> 1. Puneți semipreparatele congelate într-un recipient pentru microunde și acoperiți-l cu folie de plastic; înțepați folia. 2. Puneți recipientul în centrul platoului rotativ din sticlă al cuptorului. 3. Închideți ușa și apăsați butonul SEMIPREPARATE CONGELATE și selectați greutatea rotind BUTONUL ROTATIV. 4. Apăsați butonul START/QUICK START pentru a porni procesul de gătire. 5. Când cronometrul se oprește, scoateți mâncarea și serviți-o. Fiți atenți, deoarece mâncarea va fi fierbinte.
Legume proaspete	200 - 600 g	Ambientală	<ol style="list-style-type: none"> 1. Spălați și tăiați legumele în bucăți mici de 25-30 mm lungime și 10 mm grosime. 2. Puneți bucățile într-un bol ceramic adecvat pentru microunde și acoperiți-l cu folie de plastic; înțepați folia. 3. Așezați bolul în centrul platoului rotativ din sticlă al cuptorului. 4. Închideți ușa și apăsați butonul LEGUME PROASPETE și selectați greutatea rotind BUTONUL ROTATIV. 5. Apăsați butonul START/QUICK START pentru a porni procesul de gătire. 6. Când cronometrul se oprește, scoateți mâncarea și serviți-o. Fiți atenți, deoarece mâncarea va fi fierbinte.
Pasat	50 - 150 g	Ambientală	<ol style="list-style-type: none"> 1. Amestecați terciul de ovăz și laptele într-un bol. Recomandare de 180 ml de lapte la 50 g de ovăz. 2. Așezați bolul în centrul platoului rotativ din sticlă. 3. Închideți ușa și apăsați butonul PASAT și selectați greutatea rotind BUTONUL ROTATIV. 4. Apăsați butonul START/QUICK START pentru a porni procesul de gătire. 5. Când cronometrul se oprește, scoateți mâncarea și serviți-o.
Reîncălzire automată	200 - 800 g	Refrigerat 5°C	<ol style="list-style-type: none"> 1. Puneți orezul sau pastele reci într-un bol ceramic adecvat pentru microunde, și acoperiți-l cu folie de plastic; înțepați folia. 2. Așezați bolul în centrul platoului rotativ din sticlă al cuptorului. 3. Închideți ușa și apăsați butonul REÎNCĂLZIRE AUTOMATĂ și selectați greutatea rotind BUTONUL ROTATIV. 4. Apăsați butonul START/QUICK START pentru a porni procesul de gătire. 5. Când cronometrul se oprește, scoateți mâncarea și serviți-o.
Friptură la grătar	200 - 600 g	Ambientală	<ol style="list-style-type: none"> 1. Întindeți uniform friptura pe raftul grill care a fost acoperit cu hârtie rezistentă la grăsime. 2. Așezați raftul grill în centrul platoului rotativ din sticlă al cuptorului. 3. Închideți ușa și apăsați butonul FRIPTURĂ LA GRĂTAR și selectați greutatea rotind BUTONUL ROTATIV. 4. Apăsați butonul START/QUICK START pentru a porni procesul de gătire. 5. După două treimi din timpul de gătire, deschideți ușa pentru a întoarce mâncarea, apoi închideți ușa și continuați gătitul. 6. Când cronometrul se oprește, scoateți mâncarea și serviți-o. Fiți atenți, deoarece mâncarea și ustensilele vor fi fierbinți.
Bucăți de pui la grătar	200 - 600 g	Ambientală	<ol style="list-style-type: none"> 1. Întindeți uniform bucățile de pui pe raftul grill care a fost acoperit cu hârtie rezistentă la grăsime. 2. Așezați raftul grill în centrul platoului rotativ din sticlă al cuptorului. 3. Închideți ușa și apăsați butonul pui la grătar și selectați greutatea rotind BUTONUL ROTATIV. 4. Apăsați butonul START/QUICK START pentru a porni procesul de gătire. 5. După două treimi din timpul de gătire, deschideți ușa pentru a întoarce mâncarea, apoi închideți ușa și continuați gătitul. 6. Când cronometrul se oprește, scoateți mâncarea și serviți-o. Fiți atenți, deoarece mâncarea și ustensilele vor fi fierbinți.
Bucăți de pește la grătar	100 - 500 g	Ambientală	<ol style="list-style-type: none"> 1. Întindeți uniform bucățile de pește pe raftul grill care a fost acoperit cu hârtie rezistentă la grăsime. 2. Așezați raftul grill în centrul platoului rotativ din sticlă al cuptorului. 3. Închideți ușa și apăsați butonul PEȘTE LA GRĂTAR și selectați greutatea rotind BUTONUL ROTATIV. 4. Apăsați butonul START/QUICK START pentru a porni procesul de gătire. 5. După două treimi din timpul de gătire, deschideți ușa pentru a întoarce mâncarea, apoi închideți ușa și continuați gătitul. 6. Când cronometrul se oprește, scoateți mâncarea și serviți-o. Fiți atenți, deoarece mâncarea și ustensilele vor fi fierbinți.

Observație	Mod cuptor și metoda folosite	YC-PS204A	YC-PS234A și YC-PS254A	YC-PG204A	YC-PG234A, YC-PG254A și YC-PG284A
	Doar microunde, la 100%	1 cană - 1:40 minute 2 căni: 3:00 minute 3 căni: 4:20 minute	1 cană - 1:30 minute 2 căni: 2:40 minute 3 căni: 3:50 minute	1 cană - 1:40 minute 2 căni: 3:00 minute 3 căni: 4:20 minute	1 cană - 1:30 minute 2 căni: 2:40 minute 3 căni: 3:50 minute
	Doar microunde, la 100%	1 cartof - 6:00 minute 2 cartofi: 9:00 minute 3 cartofi: 13:00 minute	1 cartof - 5:00 minute 2 cartofi: 8:00 minute 3 cartofi: 12:00 minute	1 cartof - 6:00 minute 2 cartofi: 9:00 minute 3 cartofi: 13:00 minute	1 cartof - 5:00 minute 2 cartofi: 8:00 minute 3 cartofi: 12:00 minute
Pentru modelele YC-PS204A și YC-PG204A trebuie apăsat butonul MENU AUTOMAT până când apare programul.	Doar microunde, la 100%	150g - 1:00 minut 300g - 1:30 minute 450 g: 2:00 minute	150g - 0:50 minute 300g - 1:20 minute 450 g: 1:50 minute	150g - 1:00 minute 300g - 1:30 minute 450 g: 2:00 minute	150g - 0:50 minute 300g - 1:20 minute 450 g: 1:50 minute
	Doar microunde, la 100%	100 g: 3:00 minute	100 g: 2:00 minute	100 g: 3:00 minute	100 g: 2:30 minute
	Microunde la 100% 1/2 din timp, apoi la 0% 1/6 din timp și la final 100% 1/3 din timp	200 g: 8:00 minute 400 g: 11:00 minute 600 g: 15:00 minute 800 g: 18:00 minute	200 g: 6:00 minute 400 g: 9:00 minute 600 g: 13:00 minute 800 g: 16:00 minute	200 g: 8:00 minute 400 g: 11:00 minute 600 g: 15:00 minute 800 g: 18:00 minute	200 g: 6:00 minute 400 g: 9:00 minute 600 g: 13:00 minute 800 g: 16:00 minute
Pentru modelele YC-PS204A și YC-PG204A trebuie apăsat butonul MENU AUTOMAT până când apare programul.	Doar microunde, la 100%	200 g: 3:30 minute 300 g: 4:30 minute 400 g: 5:30 minute 500 g: 6:30 minute 600 g: 7:30 minute	200 g: 3:00 minute 300 g: 4:00 minute 400 g: 5:00 minute 500 g: 6:00 minute 600 g: 7:00 minute	200 g: 3:30 minute 300 g: 4:30 minute 400 g: 5:30 minute 500 g: 6:30 minute 600 g: 7:30 minute	200 g: 3:00 minute 300 g: 4:00 minute 400 g: 5:00 minute 500 g: 6:00 minute 600 g: 7:00 minute
Pentru modelele YC-PS204A și YC-PG204A trebuie apăsat butonul MENU AUTOMAT până când apare programul.	Microunde - 100%	50 g: 2:00 minute 100 g: 3:30 minute 150 g: 5:30 minute	50 g: 2:00 minute 100 g: 3:30 minute 150 g: 5:30 minute	50 g: 2:00 minute 100 g: 3:30 minute 150 g: 5:30 minute	50 g: 2:00 minute 100 g: 3:30 minute 150 g: 5:30 minute
Pentru modelul YC-PG204A, trebuie apăsat butonul MENU AUTOMAT până când apare programul.	Doar microunde, la 100%	200 g: 2:00 minute 300 g: 2:40 minute 400 g: 3:20 minute 500 g: 4:00 minute 600 g: 4:40 minute 700 g: 5:20 minute 800 g: 6:00 minute	200 g: 1:30 minute 300 g: 2:00 minute 400 g: 2:30 minute 500 g: 3:00 minute 600 g: 3:30 minute 700 g: 4:00 minute 800 g: 4:30 minute	200 g: 2:00 minute 300 g: 2:40 minute 400 g: 3:20 minute 500 g: 4:00 minute 600 g: 4:40 minute 700 g: 5:20 minute 800 g: 6:00 minute	200 g: 1:30 minute 300 g: 2:00 minute 400 g: 2:30 minute 500 g: 3:00 minute 600 g: 3:30 minute 700 g: 4:00 minute 800 g: 4:30 minute
Pentru modelul YC-PG204A, trebuie apăsat butonul MENU AUTOMAT până când apare programul.	Microundele funcționează la 100% timp de 10 secunde, iar apoi grătarul se pornește timp de 23 secunde. Acest ciclu se repetă până la sfârșitul timpului de gătire. Microundele și grătarul nu sunt niciodată pornite deodată.	nu se aplică	nu se aplică	200 g: 15:00 minute 300 g: 18:00 minute 400 g: 21:00 minute 500g: 24:00 minute 600g: 27:00 minute	200 g: 15:00 minute 300 g: 18:00 minute 400 g: 21:00 minute 500g: 24:00 minute 600g: 27:00 minute
Pentru modelul YC-PG204A, trebuie apăsat butonul MENU AUTOMAT până când apare programul.	Microundele funcționează la 100% timp de 10 secunde, iar apoi grătarul se pornește timp de 23 secunde. Acest ciclu se repetă până la sfârșitul timpului de gătire. Microundele și grătarul nu sunt niciodată pornite deodată.	nu se aplică	nu se aplică	200 g: 15:00 minute 300 g: 18:00 minute 400 g: 21:00 minute 500g: 24:00 minute 600g: 27:00 minute	200 g: 15:00 minute 300 g: 18:00 minute 400 g: 21:00 minute 500g: 24:00 minute 600g: 27:00 minute
Pentru modelul YC-PG204A, trebuie apăsat butonul MENU AUTOMAT până când apare programul.	Microundele funcționează la 100% timp de 10 secunde, iar apoi grătarul se pornește timp de 23 secunde. Acest ciclu se repetă până la sfârșitul timpului de gătire. Microundele și grătarul nu sunt niciodată pornite deodată.	nu se aplică	nu se aplică	100 g: 12:00 minute 200 g: 15:00 minute 300 g: 18:00 minute 400 g: 21:00 minute 500g: 24:00 minute	100 g: 12:00 minute 200 g: 15:00 minute 300 g: 18:00 minute 400 g: 21:00 minute 500g: 24:00 minute

DECONGELAREA AUTOMATĂ

Decongelarea automată vă permite să decongeleți alimentele în funcție de greutate. Timpul de decongelare și nivelul de putere sunt setate automat odată ce categoria de mâncare și greutatea sunt programate. Greutatea mâncării congelate variază de la 100 g la 1800 g.

1. În modul standby, apăsați butonul **AUTO DEFROST**.
2. Rotiți **BUTONUL ROTATIV** pentru a selecta greutatea mâncării de decongelat.
3. Apăsați butonul **PORNIRE/PORNIRE RAPIDĂ** pentru a porni ciclul de decongelare.
4. Dacă cuptorul se oprește în timpul ciclului de decongelare, întoarceți mâncarea pentru a asigura o dezghețare uniformă și apoi apăsați **START/QUICK START** pentru a decongela în timpul rămas.
5. Când un ciclu de decongelare este finalizat, afișajul va indica „End” și se va auzi un ton la fiecare 2 minute până când se apasă un buton sau se deschide ușa.

Decongelare automată - funcționare

Model	Greutate	Interval de timp de decongelare	Mod de funcționare decongelare	Metodă
YC-PG204A	100 - 1.800 g	5,5 - 39,5 minute	Microunde la 40% o treime din timp, apoi la 20% pentru următoarea treime din timp.	<ol style="list-style-type: none"> 1. Puneți mâncarea congelată într-un recipient pentru microunde și acoperiți-l cu folie de plastic; înțepați folia. 2. Așezați recipientul în centrul platoului rotativ din sticlă al cuptorului. 3. Închideți ușa și apăsați butonul DECONGELARE AUTOMATĂ și selectați greutatea rotind BUTONUL ROTATIV. 4. Apăsați butonul START/QUICK START pentru a porni decongelarea. 5. După o parte din ciclul de decongelare, cuptorul se va opri și va solicita întoarcerea alimentelor. 6. Deschideți ușa și întoarceți/rearanjați mâncarea. Închideți ușa. 7. Apăsați butonul START/QUICK START pentru a continua decongelarea. 8. Când cronometrul se oprește, scoateți mâncarea din cuptor. Verificați dacă este complet decongelată.
YC-PG204A	100 - 1.800 g	5 - 39 minute	Notificare de întoarcere, după întoarcere alimentele se vor decongela la 20% în restul timpului rămas.	
YC-PS234A și YC-PG234A	100 - 1.800 g	5,5 - 39,5 minute	Microunde la 20% jumătate din timp, notificare de întoarcere. Timpul rămas la 20% putere.	
YC-PS254A, YC-PG254A și YC-PG284A	100 - 1.800 g	3 - 37 minute	Microunde la 30% o treime din timp, apoi la 20% pentru următoarea treime din timp. Notificare de întoarcere, după întoarcere alimentele se vor decongela la 20% în restul timpului rămas.	

REÎNCĂLZIRE AUTOMATĂ*

Cuptorul vă permite să reîncălziți alimentele în funcție de greutatea introdusă de utilizator. Timpul de reîncălzire și nivelul de putere sunt setate automat odată ce categoria de alimente și greutatea sunt programate. Greutatea pentru reîncălzire variază de la 100 g la 800 g.

1. În modul standby, apăsați butonul **AUTO REHEAT**.
2. Rotiți **BUTONUL ROTATIV** pentru a selecta greutatea mâncării de reîncălziți.
3. Apăsați butonul **PORNIRE/QUICK START**.
4. Când ciclul de gătire este finalizat, afișajul va indica „End” și se va auzi un ton la fiecare două minute până când se apasă un buton sau se deschide ușa.

* - Numai pentru modelele cu grill.

TEMPORIZATOR BUCĂTĂRIE

Cuptorul este echipat cu un temporizator de bucătărie care va face numărătoarea inversă de la ora setată.

1. În modul standby, apăsați butonul **TIME/SET CLOCK** o dată.
2. Rotiți **BUTONUL ROTATIV** pentru a seta timpul dorit. Cel mai lung timp este de 95 de minute.
3. Apăsați butonul **START/QUICK START** pentru a confirma.
4. Afișajul va indica numărătoarea inversă de la timpul setat.
5. Când afișajul ajunge la zero, se va auzi un ton.

De asemenea, este posibil să utilizați temporizatorul de bucătărie în modul gătire. Pentru a face acest lucru, urmați pașii descriși mai sus în timp ce mâncarea se gătește. Odată activat temporizatorul de bucătărie, acesta va apărea pe afișaj timp de cinci secunde, apoi afișajul va reveni la cronometrul cu numărătoarea inversă pentru ciclul de gătit. Pentru a vizualiza din nou cronometrul, apăsați butonul **TIME/SET CLOCK** o dată și temporizatorul de bucătărie va apărea timp de cinci secunde, apoi va reveni la numărătoarea inversă de gătit.

- Pentru a anula programul **TEMPORIZATOR** apăsați butonul **STOP/ECO** și afișajul indică ora.
- Dacă a fost pornit un ciclu de gătire, este posibil să porniți temporizatorul de bucătărie urmând pașii de mai sus.

FUNCȚIA DE ECONOMISIRE ENERGIE

Această caracteristică permite economisirea energiei când cuptorul nu este utilizat. Pentru a activa această funcție în modul standby, apăsați și mețineți apăsat butonul **STOP/ECO** timp de 3 secunde, afișajul se va opri; cuptorul va intra în modul de economisire a energiei.

Pentru a anula modul de economisire energie, apăsați oricare buton sau deschideți și închideți ușa cuptorului.

FUNȚIA SILENȚIOS

Este posibil să dezactivați sunetul de la cuptorul cu microunde folosind funcția silențios. Pentru a seta funcția silențios, apăsați butonul **CHILD LOCK** o dată, afișajul va indica „OFF” timp de 5 secunde. În modul silențios, nu se va auzi niciun sunet când butoanele sunt apăstate.

Pentru a dezactiva funcția de sunet, apăsați butonul **CHILD LOCK** o dată, afișajul va afișa „on” timp de 5 secunde pentru a indica că sunetul a fost repornit.

Dacă funcția silențios este setată și cuptorul este deconectat de la sursa de alimentare, aceasta va fi anulată la reconectarea la sursa de alimentare.

BLOCAREA DE SIGURANȚĂ

Aceasta este o funcție automată pentru a preveni folosirea nesupravegheată a cuptorului de către copii. În modul standby, dacă nu există nicio comandă în decurs de un minut, cuptorul va intra automat în modul de blocare de siguranță și „Loc” va apărea pe afișaj. În starea de blocare, toate butoanele sunt dezactivate. Dacă apăsați orice buton, indicația de blocare apare pe afișaj timp de 5 secunde pentru a reaminti utilizatorului să anuleze blocarea de siguranță.

Pentru a dezactiva blocarea de siguranță, doar deschideți și închideți ușa cuptorului cu microunde, iar tastatura va redeveni activă și indicatorul luminos de blocare se va stinge.

BLOCAREA DE PROTECȚIE PENTRU COPII

Pentru a seta BLOCAREA DE PROTECȚIE PENTRU COPII, apăsați și mențineți apăsat butonul **CHILD LOCK** timp de 3 secunde, se va auzi un semnal sonor lung și afișajul va indica „Loc”. Cuptorul este acum în modul BLOCARE DE PROTECȚIE PENTRU COPII. În acest mod, afișajul va arăta ceasul, dacă este apăsat oricare dintre butoane sau ușa este deschisă „Loc” va fi afișat timp de 5 secunde.

Pentru a anula BLOCAREA DE SIGURANȚĂ, apăsați și mențineți apăsat butonul **CHILD LOCK** timp de 3 secunde, până când se aude un semnal sonor lung.

CURĂȚARE ȘI ÎNGRIJIRE

- Opriți cuptorul și deconectați cablul de alimentare de la sursa de alimentare când curățați cuptorul.
- Păstrați interiorul cuptorului curat. Când stropii de alimente sau lichidele vărsate aderă la pereții cuptorului, la partea superioară sau la baza cuptorului, ștergeți cu o cârpă umedă. Pot fi folosiți detergenți slabi dacă cuptorul devine foarte murdar. Evitați utilizarea spray-urilor sau a altor produse de curățare dure. Acestea pot păta, pot lăsa urme sau mătui suprafața ușii.
- Exteriorul cuptorului trebuie curățat cu o cârpă umedă. Pentru a preveni deteriorarea componentelor de operare din interiorul cuptorului, apa nu trebuie să pătrundă în orificiile de ventilație.
- Ștergeți ușa și fereastra pe ambele părți, ștergeți garniturile ușii și părțile adiacente frecvent cu o cârpă umedă pentru a îndepărta orice scurgeri sau stropi.
- Nu utilizați produse de curățare abrazive.
- Nu curățați cu abur.
- Evitați udarea panoului de control. Curățați cu o cârpă moale și umedă. Când curățați panoul de control, lăsați ușa cuptorului deschisă pentru a preveni pornirea accidentală a cuptorului.
- Dacă se acumulează abur în interiorul sau în jurul exteriorului ușii cuptorului, ștergeți cu o cârpă moale. Acest lucru se poate întâmpla atunci când cuptorul cu microunde funcționează în condiții de umiditate ridicată. Aceasta nu este o defecțiune.
- Baza platoului rotativ, suportul platoului rotativ și cuplajul trebuie curățate în mod regulat pentru a evita contaminarea și potențialul arc electric/deteriorări. Pur și simplu ștergeți cu un detergent slab.
- Îndepărtați mirosurile din cuptor combinând o ceașcă de apă cu sucul și coaja unei lămâi într-un castron pentru microunde. Lăsați cuptorul să funcționeze timp de 5 minute. Ștergeți bine și uscați cu o cârpă moale.
- Dacă becul se defectează, vă rugăm să contactați serviciul clienți pentru recomandări.
- Cuptorul trebuie curățat în mod regulat și eventualele depuneri de alimente trebuie îndepărtate. Nerespectarea instrucțiunilor de curățare a cuptorului poate duce la deteriorarea suprafeței acestuia, care poate afecta durata de viață a aparatului și genera situații posibil periculoase.
- Vă rugăm să nu aruncați acest aparat în coșul de gunoi menajer; consultați sfaturile țărilor dumneavoastră cu privire la eliminarea acestui tip de produs.

VASE ADECVATE

1. Materialul ideal pentru un vas pentru microunde este transparent pentru microunde, permite trecerea energiei prin recipient și încălzirea alimentelor.
2. Microundele nu pot trece prin metal, așa că nu trebuie folosite ustensile metalice sau vase cu ornamente metalice.
3. Nu folosiți produse din hârtie reciclată când gătiți la microunde, deoarece acestea pot conține mici fragmente de metal care pot provoca scânteii și/sau incendii.
4. Sunt recomandate vasele rotunde/ovale, mai degrabă decât cele pătrate/alungite, deoarece mâncarea din colțuri tinde să se gătească prea mult.
5. Se pot folosi benzi înguste de folie de aluminiu pentru a preveni supragătirea zonelor expuse. Dar aveți grijă să nu folosiți prea multă și să păstrați o distanță de 2,54 cm între folie și cavitate

Lista de mai jos este un ghid general pentru a vă ajuta să selectați ustensilele corecte.

Vase pentru gătit	Microunde Sigur	Grill	Comentariu
Vase de rumenire	✓ / ✗	✗	Respectați întotdeauna instrucțiunile producătorilor. Nu depășiți timpii de încălzire specificați. Aveți grijă deoarece aceste vase se pot înfierbânta foarte tare.
Porțelan și ceramică	✓ / ✗	✗	Porțelanul, ceramica, vasele de lut glazurate și porțelanul de os sunt de obicei adecvate, cu excepția celor cu decorațiuni metalice.
Sticlă rezistentă la căldură	✓	✓	Aveți grijă să vă asigurați că orice vas de gătit din sticlă este potrivit pentru utilizare într-un cuptor cu microunde.
Sticlă nerezistentă la căldură	✗	✗	
Ceramică rezistentă la căldură	✓	✓	Asigurați-vă că orice material ceramic nu este prea gros sau cu un conținut ridicat de minerale.
Vas din plastic sigur pentru cuptorul cu microunde	✓	✗	Verificați întotdeauna dacă vasele de gătit din plastic sunt adecvate pentru a fi utilizate într-un cuptor cu microunde.
Hârtie de bucătărie	✓ / ✗	✗	Folosiți numai hârtie de bucătărie care este recomandată pentru utilizare în cuptoarele cu microunde.
Articole din sticlă ex. Pyrex®	✓ / ✗	✓	Atenție când utilizați vase delicate din sticlă deoarece se pot sparge sau fisura dacă sunt încălzite brusc.
Tavă din metal	✗	✓	Nu este recomandată utilizarea vaselor metalice deoarece vor forma arc electric și acesta poate duce la incendii.
Grătar din metal	✗	✓	Nu este recomandată utilizarea vaselor metalice deoarece vor forma arc electric și acesta poate duce la incendii.
Folie de aluminiu Recipiente din aluminiu	✓ / ✗	✓	Se pot utiliza bucăți mici de folie de aluminiu pentru a evita supraîncălzirea mâncării. Așezați folia la cel puțin 2,54 cm de pereții cuptorului deoarece există posibilitatea formării arcului electric. Recipientele din aluminiu nu sunt recomandate, decât dacă este specificat astfel de producător, de ex., Microfoil®, urmați instrucțiunile cu atenție.
Folie de plastic	✓	✗	Nu trebuie să atingă mâncarea și trebuie perforată pentru a lăsa aburul să iasă.
Plastic / Polistiren, de ex., recipiente pentru mâncare fast food	✓	✗	Atenție la recipiente deoarece unele se pot deforma, topi sau decolora la temperaturi ridicate.
Pungi de congelare / coacere	✓	✗	Se vor perfora pentru a lăsa aburul să iasă. Asigurați-vă că pungile sunt adecvate pentru utilizarea la microunde.
Hârtie - Farfurii, câni și hârtie de bucătărie	✓	✗	Nu utilizați accesoriile de legare din plastic sau metal deoarece acestea se pot topi sau pot lua foc din cauza arcului electric format de metal.
Recipiente din paie și lemn	✓	✗	A se utiliza numai pentru încălzire sau pentru a absorbi umiditatea. Atenție: supraîncălzirea poate cauza incendii.
Hârtie reciclată și ziare	✗	✗	Supravegheați întotdeauna cuptorul când utilizați aceste materiale deoarece supraîncălzirea poate genera incendii. Poate conține extracte de metal care vor duce la formarea arcului electric și generarea de incendii.



AVERTIZARE: în timpul încălzirii mâncării în vase din plastic sau din hârtie, țineți cuptorul sub observație. Există posibilitatea aprinderii vaselor.

NOTĂ: Nu lăsați cuptorul nesupravegheat în timpul funcționării.

SFATURI DE GĂTIRE LA CUPTORUL CU MICROUNDRE

Microundele gătesc alimentele mai repede decât gătitul convențional. Prin urmare, este esențial să se urmeze anumite tehnici pentru a asigura rezultate bune. Multe dintre următoarele tehnici sunt similare cu cele utilizate la gătitul convențional.



ATENȚIE: Lichidele și alimentele nu trebuie încălzite în recipiente etanșe sau în borcane/recipiente cu capacele puse, deoarece în interior se creează presiune și recipientul/borcanul poate exploda.

OBSERVAȚII PENTRU GĂTIT:

- Supravegheați tot timpul cuptorul când este în uz.
- Asigurați-vă că ustensilele sunt adecvate pentru utilizarea în cuptorul cu microundre.
- Utilizați numai popcorn pentru microundre cu ambalajul recomandat (urmați instrucțiunile producătorului).
Nu utilizați niciodată ulei decât dacă producătorul specifică acest lucru și nu gătiți niciodată pe o perioadă mai îndelungată decât cea din instrucțiuni.



ATENȚIE: Dacă depășiți timpii de gătire recomandați și utilizați niveluri de putere prea ridicate, mâncarea se poate supraîncălzi, arde și, în situații extreme, poate lua foc și deteriora cuptorul.

Aranjare

Așezați părțile cele mai groase ale mâncării spre partea exterioară a vasului. Ex. Pulpe de pui.

Mâncărurile poziționate spre partea exterioară a vasului vor beneficia de mai multă energie, prin urmare, se vor găti mai repede decât cele din centru.

Acoperire

Pentru anumite alimente este recomandat să fie acoperite în timpul gătitului la microundre.

Utilizați folie ventilată pentru microundre sau un capac adecvat.

Perforare

Alimentele cu cochilie, piele sau membrană trebuie perforate în mai multe locuri înainte de gătire sau reîncălzire, deoarece în interior se poate forma aburul și mâncarea poate exploda.

De ex., cartofi, pește, pui, cărnați.

NOTĂ: Ouăle nu trebuie încălzite în cuptorul cu microundre deoarece pot exploda, chiar și după terminarea gătirii. De ex., poșate, ochiuri, fierte tare.

Amestecare, rotire și rearanjare

Pentru o gătire uniformă, este esențial să amestecați, rotiți și rearanjați mâncarea în timpul gătirii. Amestecați și rearanjați întotdeauna din exterior spre centru.

Lăsați să stea

Timpul de așteptare după preparare este necesar, pentru a permite căldurii să se distribuie uniform în alimente.

Caracteristicile alimentelor	
Compoziție	Alimentele bogate în grăsimi sau zahăr (de ex., budinca de Crăciun, plăcintă umplută) necesită mai puțin timp de încălzire. Trebuie avut grijă deoarece supraîncălzire poate provoca incendii. Oasele din mâncare conduc căldura, iar mâncarea se prepară mai repede. Trebuie acordată o atenție deosebită la acest aspect, astfel încât mâncarea să fie gătită uniform.
Densitate	Densitatea mâncării va afecta timpul de gătire necesar. Alimentele ușoare, poroase, cum ar fi prăjiturile sau pâinea, se gătesc mai repede decât alimentele grele, dense, cum ar fi fripturile și tocanele.
Cantitate	Numărul de microunde din cuptorul dvs. rămâne același indiferent de cât de multă mâncare gătiți. Timpul de gătire trebuie mărit în funcție de cantitatea de mâncare așezată în cuptor. ex. Patru cartofi se vor găti mai greu decât doi cartofi.
Dimensiune	Alimentele mici și bucățile mici se gătesc mai repede decât cele mari deoarece microundele pot penetra alimentele din toate părțile până în centru. Pentru gătire uniformă, toate bucățile trebuie să fie de aceeași dimensiune.
Formă	Alimentele care au formă neregulată, cum ar fi pieptul sau pulpele de pui, au nevoie de un timp mai lung de gătire în zonele mai groase. Pentru o gătire uniformă, așezați bucățile mai groase spre exteriorul vasului, unde vor primi mai multă energie. Formele rotunde se vor găti mai uniform decât formele pătrate în cuptorul cu microunde.
Temperatura alimentelor	Temperatura inițială a produselor alimentare afectează timpul de gătire necesar. Va dura mai mult gătitul alimentelor refrigerate decât cea a produselor alimentare aflate la temperatura camerei. Temperatura recipientului nu este o indicație reală a temperaturii produsului alimentar sau a băuturii. Faceți tăieturi în produsele cu umpluturi, cum ar fi gogoșile cu gem, pentru a elibera căldura sau aburul.



ATENȚIE: Fața și mâinile: Folosiți întotdeauna mănuși pentru cuptor pentru a îndepărta mâncarea sau vasele din cuptor. Dați-vă puțin în spate când deschideți ușa cuptorului pentru a lăsa căldura sau aburul să se disperseze. Când scoateți foliile de acoperire (precum folia transparentă), când deschideți pungile de coacere sau ambalajele de popcorn, degajați aburul în direcție opusă față de fața sau mâinile dvs.



ATENȚIE: Verificați temperatura mâncării și a băuturilor și amestecați înainte de servire. Aveți în mod special grijă când le serviți bebelușilor, copiilor și persoanelor în vârstă. Conținutul biberoanelor și al borcanelor cu mâncare pentru bebeluși trebuie amestecat sau agitat, iar temperatura va fi verificată înainte de consum pentru a evita arsurile.

SFATURI PENTRU DECONGELARE

Folosirea cuptorului cu microunde este cea mai rapidă metodă de decongelare. Este un proces simplu, dar următoarele instrucțiuni sunt esențiale pentru a vă asigura că alimentele sunt decongelate complet.

- Înainte de decongelare, scoateți toate ambalajele și învelitorile.
- Pentru a decongela alimente, folosiți nivelurile de putere a microundelor de la P-20 la P-40.
- Consultați informațiile detaliate de mai jos.

Rearanjați

Mâncărurile poziționate spre partea exterioară a vasului se vor decongela mai repede decât cele din centru. Este, prin urmare, esențial ca mâncarea să fie rearanjată de până la 4 ori în timpul decongelării.

Mutați părțile foarte apropiate din exterior spre centru și rearanjați zonele care se suprapun.

Acest lucru va asigura că toate părțile produsului se dezgheață uniform.

Separați

Alimentele pot fi lipite unul de celălalt când le scoateți din congelator. Este important să separați alimentele imediat ce se poate în timpul decongelării.

ex. felii de bacon, file de pui.

Protejați

Unele părți ale alimentelor în curs de decongelare se încălzesc. Pentru a preveni încălzirea și gătitul lor, aceste părți pot fi acoperite cu bucăți mici de folie, care reflectă microundele, de ex., pulpele și aripile de pui.

Lăsați să stea

Timpul de așteptare este necesar pentru a vă asigura că hrana este bine decongelată.

Decongelarea nu este completă după scoaterea alimentelor din cuptorul cu microunde. Mâncarea trebuie să stea, acoperită, o perioadă de timp, pentru a vă asigura că interiorul este decongelat complet.

Întoarceți

Este esențial ca toate alimentele să fie întoarse de până la 4 ori în timpul decongelării.

Acest lucru este important pentru a asigura o decongelare completă.

SFATURI PENTRU REÎNCĂLZIRE

Pentru reîncălzirea alimentelor, urmați recomandările și instrucțiunile de mai jos pentru a vă asigura că mâncarea este bine reîncălzită înainte de servire.

Mâncăruri servite la farfurie

Scoateți puil și porțiile de carne și reîncălziți-le separat, a se vedea mai jos.

Așezați bucățile mai mici de mâncare în centrul farfuriei, iar cele mai mari și mai groase la margine. Acoperiți cu o folie ventilată pentru microunde și reîncălziți la nivelul de putere P-50, amestecați/rearanjați la jumătatea procesului de reîncălzire.

NOTĂ: Asigurați-vă că mâncarea este bine reîncălzită înainte de servire.

Carne feliată

Acoperiți cu folie ventilată pentru microunde și reîncălziți la nivelul de putere P-60. Rearanjați cel puțin o dată mâncarea pentru a asigura o reîncălzire uniformă.

NOTĂ: Asigurați-vă că ați reîncălzit bine carnea înainte de servire.

Porții de carne de pasăre

Așezați părțile mai groase ale porțiilor în exteriorul vasului, acoperiți-l cu o folie ventilată pentru microunde și reîncălziți la nivelul de putere P-70.

Întoarceți la jumătatea procesului de reîncălzire.

NOTĂ: Asigurați-vă că ați reîncălzit bine carnea de pasăre înainte de servire.

Caserole

Acoperiți cu o folie ventilată pentru microunde sau cu un capac adecvat și reîncălziți la nivelul de putere P-50. Amestecați frecvent pentru a asigura o reîncălzire uniformă.

NOTĂ: Asigurați-vă că mâncarea este bine reîncălzită înainte de servire.

Pentru a ajunge la rezultate optime la reîncălzire, selectați un nivel de putere adecvat pentru tipul de mâncare. De ex., un bol de legume poate fi reîncălzit folosind nivelul de putere P-100, în timp ce o porție de lasagna care conține ingrediente ce nu se pot amesteca, ar trebui reîncălzită folosind nivelul de putere P-40.

OBSERVAȚII:

- Înainte de reîncălzire, scoateți alimentele din foile sau din recipientele metalice.
- Durata reîncălzirii va fi condiționată de forma, adâncimea, cantitatea și temperatura alimentelor, precum și de dimensiunea, forma și materialul recipientului.



ATENȚIE: Nu încălziți lichide în recipiente cu gât îngust, deoarece conținutul se poate revărsa din recipient și poate cauza arsuri.

- Pentru a evita supraîncălzirea și apariția focului, acordați atenție la reîncălzirea alimentelor cu mult zahăr sau cu multă grăsime, de exemplu: plăcinte umplute sau budincă de Crăciun.
- Nu încălziți niciodată ulei sau grăsime pentru prăjire în baie de ulei deoarece acestea se poate supraîncălzi și lua foc.
- Cartofii în conservă nu trebuie încălziți în cuptorul cu microunde, urmați instrucțiunile producătorului, menționate pe conservă.



ATENȚIE: Conținutul biberoanelor și al borcanelor cu mâncare pentru bebeluși se va amesteca sau agita și temperatura va fi verificată înainte de consum pentru a evita arsurile.

DEPANAREA

În cazul în care credeți că există o problemă cu funcționarea cuptorului, puteți efectua câteva verificări simple înainte de a apela la un inginer. Acest lucru va ajuta la evitarea apelurilor inutile la centrul de service, dacă defecțiunea este simplu de rezolvat.

Urmați pașii simplii de verificare de mai jos:

Așezați o jumătate de cană de apă pe platoul rotativ și închideți ușa. Setați temporizatorul să gătească timp de 1 minut folosind nivelul de putere P-100 al cuptorului cu microunde.

1. Lampa cuptorului se aprinde când acesta gătește?
2. Funcționează ventilatorul de răcire? (Verificați prin plasarea mâinii deasupra orificiilor de aerisire.)
3. Se aude un semnal sonor după 1 minut?
4. Apa din cană este fierbinte?

Dacă răspunsul este „NU” la oricare dintre întrebări, verificați întâi dacă cuptorul este conectat în mod corespunzător la priză și dacă nu a sărit siguranța. În cazul în care nu există astfel de probleme, verificați tabelul de depanare de mai jos.



ATENȚIE: Niciodată nu reglați, reparați sau modificați cuptorul cu microunde pe cont propriu. Este periculos pentru orice persoane în afara inginerului calificat SHARP să efectueze operații de service sau reparații. Acest lucru este important deoarece poate presupune demontarea capacelor care asigură protecția împotriva energiei microundelor.

- Garnitura ușii oprește scăparea de microunde în timpul funcționării cuptorului, dar nu formează un sigiliu etanș. Este normal să vedeți picături de apă, lumină sau să simțiți aer cald în jurul ușii cuptorului. Alimentele cu un conținut ridicat de umiditate vor elibera aburi și pot provoca formarea condensului în interiorul ușii, care se poate scurge din cuptor.
- Reparații și modificări: nu încercați să folosiți cuptorul dacă acesta nu funcționează corect.
- Acces la carcasa exterioră și la lampă: Nu scoateți niciodată carcasa exterioră. Acest lucru este foarte periculos din cauza pieselor de înaltă tensiune în interior, care nu trebuie niciodată atinse, deoarece ar putea duce la deces. Cuptorul dvs. nu este prevăzut cu un capac de acces la lampă. Dacă lampa nu funcționează, nu încercați să o înlocuiți singur, apelați la un centru de service aprobat de SHARP.

TABEL DE DEPANARE

ÎNTREBARE	RĂSPUNS
Curenții de aer circulă în jurul ușii.	Când cuptorul funcționează, aerul circulă în interiorul acestuia. Ușa nu formează un sigiliu etanș; așadar, este posibil ca aerul să iasă pe lângă ușă.
Se formează condens în cuptor și se poate scurge pe lângă ușă.	Interiorul cuptorului va fi, în mod normal, mai rece decât alimentele gătite, astfel că aburul produs în timpul gătitului se va condensa pe suprafața mai rece. Cantitatea de abur produsă depinde de conținutul de apă al produsului gătit. Anumite alimente, cum ar fi cartofii, au un conținut ridicat de umiditate. Condensul din sticla ușii ar trebui să dispară după câteva ore.
Scânteii sau arc electric în interiorul cuptorului în timpul gătirii.	Arcul electric se va forma atunci când un obiect metalic se apropie de interiorul cuptorului în timpul gătirii. Acest lucru poate produce eventual rugozități pe suprafața interioară, dar nu va deteriora cuptorul.
Gătirea cartofilor cu arc electric.	Asigurați-vă că ați scos toate „nodurile”, iar cartofii au fost perforați, așezați-i direct pe platoul rotativ sau într-un vas rezistent la căldură sau o tavă similară.
Când utilizați cuptorul doar în modul grill, elementul de încălzire pare să nu fie pornit tot timpul.	Acest lucru se datorează faptului că elementul grill pornește și se oprește pentru a menține temperatura cuptorului la un nivel prestabilit.
Când funcția grill este utilizată în modul combinat, aceasta nu pare a fi pornită.	În modul de gătire combinată (microunde și grill), cuptorul va comuta între cele două funcții. Funcțiile microunde și grill nu vor fi pornite deodată.
Cuptorul nu funcționează când este apăsat butonul START/QUICK START.	Verificați dacă ușa este închisă corect.
Cuptorul gătește prea încet.	Asigurați-vă că ați selectat nivelul de putere corect.
Cuptorul face un zgomot.	La pornirea sau oprirea alimentării cu energie a cuptorului cu microunde, se poate auzi un zumzet, acest lucru este normal.
După gătire, cuptorul face un zgomot sau pare să funcționeze în continuare.	La finalul ciclului de gătire, ventilatorul poate rămâne pornit câteva minute pentru a răci cuptorul. Acest lucru este normal.
Carcasa exterioară este fierbinte.	Carcasa se poate încălzi la atingere - feriți copiii.
Mesajul „LoC” apare pe afișaj când se apasă un buton.	După 30 de secunde cuptorul va intra în modul blocare, în care niciun buton nu funcționează. Deschideți și închideți ușa și butoanele vor funcționa din nou. Asigurați-vă și că unitatea nu este în modul de blocare.
Mesajul „Fail” apare pe afișaj și cuptorul emite un semnal sonor o dată pe minut.	Acest lucru se întâmplă dacă butoanele de pe panoul de comandă sunt apăstate continuu mai mult de 1 minut. Deconectați cuptorul de la sursa de alimentare timp de câteva minute și reconectați-l.
Cuptorul emite un semnal sonor la fiecare 30 secunde.	După ce gătitul s-a încheiat, dacă ușa nu este deschisă, se va auzi un semnal sonor la fiecare 30 secunde. Pentru a-l opri, deschideți și apoi închideți ușa.

ÎNAINTE DE A APELA LA ASISTENȚĂ

Înainte de a apela la service, vă rugăm să verificați fiecare aspect de mai jos:

- Verificați dacă cuptorul este conectat corect la priză. Dacă nu este, scoateți ștecherul din priză, așteptați 10 secunde și conectați-l din nou corect.
- Verificați dacă există o siguranță arsă sau un întrerupător sărit. Dacă acestea par să funcționeze corect, testați priza cu un alt aparat.
- Verificați pentru a vă asigura că butoanele rotative de putere și temporizator sunt setate corect.
- Verificați pentru a vă asigura că ușa este bine închisă, cuplând sistemul de blocare de siguranță a ușii. În caz contrar, energia microundelor nu va curge în cuptor.

ÎN CAZUL ÎN CARE NICIUNUL DINTRE PAȘII DE MAI SUS NU REMEDIAZĂ PROBLEMA, CONTACTAȚI UN TEHNICIAN CALIFICAT. NU ÎNCERCAȚI SĂ REGLAȚI SAU SĂ REPARAȚI CUPTORUL PE CONT PROPRIU.



Внимание!

Ваше изделие имеет маркировку с этим символом. Это значит, что вышедшие из эксплуатации электрические и электронные изделия нельзя смешивать с обычными бытовыми отходами. Для этих изделий имеются отдельные системы сбора.



www.sharpconsumer.com/contact/



www.sharpconsumer.com/support/



www.sharpconsumer.com/documents-of-conformity/

Информация по утилизации для пользователей (частные домашние хозяйства)

1. В Европейском союзе

Внимание. Не используйте для утилизации данного оборудования обычный мусорный контейнер!

Использованное электрическое и электронное оборудование требует отдельной обработки в соответствии с законодательными положениями о правильном обращении, восстановлении и переработке использованного электрического и электронного оборудования.

В соответствии с введенными государствами-членами мерами, частные домашние хозяйства в странах Евросоюза могут бесплатно сдавать вышедшее из эксплуатации электрическое и электронное оборудование в специальные приемные пункты*.

В некоторых странах* ваш местный дилер также может бесплатно принять старое изделие при приобретении аналогичного нового.

*) Для получения дополнительной информации обращайтесь в местные органы власти.

Если ваше использованное электрическое или электронное оборудование содержит батареи или аккумуляторы, пожалуйста, сдайте их отдельно согласно местным требованиям. Правильная утилизация этого изделия поможет осуществить его необходимую обработку, восстановление и переработку, тем самым предотвращая возможные негативные последствия для окружающей среды и здоровья людей, которые могут возникнуть из-за неправильной обработки отходов.

2. В других странах за пределами ЕС

Если вы хотите утилизировать данное изделие, обратитесь к местным органам власти и узнайте, как сделать это правильно.

Для Швейцарии: вышедшее из эксплуатации электрическое или электронное оборудование можно бесплатно сдать дилеру, даже если вы не покупаете новое изделие.

Прочие приемные пункты приведены на домашней странице www.swico.ch или www.sens.ch.

В. Информация по утилизации для коммерческих пользователей

1. В Европейском союзе

Если изделие используется в коммерческих целях и вы хотите избавиться от него:

Свяжитесь со своим дилером SHARP, который предоставит вам информацию о возврате продукта. Возможно, вы должны будете оплатить стоимость возврата и переработки. Мелкие изделия (и небольшие объемы) можно сдать в местные приемные пункты.

Для Испании: свяжитесь с представителями установленной системы сбора или обратитесь к местным органам власти по вопросу возврата вышедших из эксплуатации изделий.

2. В других странах за пределами ЕС

Если вы хотите утилизировать данное изделие, обратитесь к местным органам власти и узнайте, как сделать это правильно.

Информация по вопросам, связанным с сервисным обслуживанием, приведена на странице

www.sharpconsumer.com/contact/. Для получения информации касательно реализации гарантийных прав перейдите на страницу www.sharpconsumer.com/support/ или свяжитесь с дилером, у которого вы приобрели изделие.

Заявления о соответствии требованиям можно найти здесь:

www.sharpconsumer.com/documents-of-conformity/

МЕРЫ ПРЕДОСТОРОЖНОСТИ ДЛЯ ПРЕДОТВРАЩЕНИЯ ВЫБРОСА МИКРОВОЛНОВОЙ ЭНЕРГИИ

1. Не пытайтесь использовать эту печь с открытой дверцей, так как это может привести к вредному воздействию микроволновой энергии. Важно не нарушать защитные блокировочные механизмы и не вносить в них изменения.
2. Не вставляйте ничего между передней панелью печи и дверцей или не допускайте скопления мусора или остатков чистящего средства на уплотнительных поверхностях.
3. Не пользуйтесь печью, если она повреждена. Очень важно, чтобы дверца печи закрывалась надлежащим образом и чтобы не было повреждений дверцы, петель, замков или уплотнений и уплотнительных поверхностей.
4. Не пытайтесь ремонтировать или регулировать печь.

СОДЕРЖАНИЕ

ВАЖНЫЕ ИНСТРУКЦИИ ПО ТЕХНИКЕ БЕЗОПАСНОСТИ	3
УСТАНОВКА	12
РАДИОПОМЕХИ	13
ИНСТРУКЦИИ ПО ЗАЗЕМЛЕНИЮ	13
ТЕХНИЧЕСКИЕ ХАРАКТЕРИСТИКИ	13
ПЕЧЬ И ПРИНАДЛЕЖНОСТИ	14
ПАНЕЛЬ УПРАВЛЕНИЯ	15
ПЕРЕД ИСПОЛЬЗОВАНИЕМ ПЕЧИ	16
НАСТРОЙКА ЧАСОВ	16
ПРИГОТОВЛЕНИЕ С ИСПОЛЬЗОВАНИЕМ МИКРОВОЛН	17
БЫСТРЫЙ ЗАПУСК	18
ПРИГОТОВЛЕНИЕ НА ГРИЛЕ*	18
МИКРОВОЛНЫ + ГРИЛЬ*	18
АВТОМАТИЧЕСКИЕ ПРОГРАММЫ	19
АВТОМАТИЧЕСКОЕ РАЗМОРАЖИВАНИЕ	22
АВТОМАТИЧЕСКИЙ РАЗОГРЕВ*	23
КУХОННЫЙ ТАЙМЕР	23
ФУНКЦИЯ ЭНЕРГОСБЕРЕЖЕНИЯ	23
ФУНКЦИЯ ВЫКЛЮЧЕНИЯ ЗВУКА	24
ЗАЩИТНАЯ БЛОКИРОВКА	24
ЗАЩИТА ОТ ДЕТЕЙ	24
ОЧИСТКА И УХОД	25
ПОДХОДЯЩАЯ ЖАРОПРОЧНАЯ ПОСУДА	26
РЕКОМЕНДАЦИИ ПО ПРИГОТОВЛЕНИЮ В МИКРОВОЛНОВОЙ ПЕЧИ	28
СОВЕТЫ ПО РАЗМОРАЖИВАНИЮ	30
СОВЕТЫ ПО РАЗОГРЕВУ	31
ПОИСК И УСТРАНЕНИЕ НЕИСПРАВНОСТЕЙ	32
ПРЕЖДЕ ЧЕМ ЗВОНИТЬ В СЛУЖБУ ПОДДЕРЖКИ	34

* - Только модели с грилем.

ВАЖНЫЕ ИНСТРУКЦИИ ПО ТЕХНИКЕ БЕЗОПАСНОСТИ

ВНИМАТЕЛЬНО ПРОЧИТАЙТЕ И СОХРАНИТЕ ДЛЯ БУДУЩЕГО ИСПОЛЬЗОВАНИЯ

Во избежание риска возгорания. Не оставляйте микроволновую печь в процессе эксплуатации. Установка слишком высокого уровня мощности или слишком долгого времени приготовления может привести к перегреву пищи и возгоранию.

Эта печь предназначена только для использования на столешнице. Она не предназначена для встраивания в кухонную мебель. Не устанавливайте печь в шкаф. Розетка должна находиться в свободном доступе, чтобы устройство можно было быстро выключить в случае чрезвычайной ситуации.

Используйте источник питания переменного тока на 230-240 В, 50 Гц, с предохранителем распределительной линии или размыкателем сети, по меньшей мере, на 10 А. Предусмотрите отдельный контур для обеспечения питанием только данного устройства.

Не устанавливайте печь в местах, где вырабатывается тепло. Например, рядом с обычной плитой. Не устанавливайте печь в местах с повышенной влажностью или там, где может скапливаться влага. Не храните и не используйте печь на улице.

В случае возникновения дыма, выключите печь или отключите ее от сети питания и оставьте дверцу закрытой для сдерживания возможных возгораний.

Используйте контейнеры и посуду, специально предназначенные для применения в микроволновых печах. Убедитесь в том, что посуда подходит для

применения в микроволновых печах.

В процессе приготовления пищи в пластиковых или бумажных контейнерах тщательно контролируйте работу печи, поскольку существует опасность возгорания.

После использования очистите кожух волновода и рабочую камеру печи. Перегрев въевшегося жира может привести к появлению дыма или возгоранию.

Не располагайте рядом с вентиляционными отверстиями печи легковоспламеняющиеся материалы.

Не блокируйте вентиляционные отверстия.

Снимайте с продуктов и упаковок все металлические пломбы, проволочные петли и т.п. Искры, образующиеся на поверхности металла, могут привести к возгоранию.

Не используйте микроволновую печь для разогревания масла для глубокого прожаривания. Вы не сможете контролировать температуру, что может привести к воспламенению масла.

Для приготовления попкорна используйте только специальные контейнеры, предназначенные для применения в микроволновых печах.

Не храните внутри печи продукты питания или другие предметы.

После запуска печи проверьте настройки, чтобы убедиться в том, что печь работает надлежащим образом.

Не оставляйте работающую печь без присмотра.

Во избежание перегрева и возгорания будьте особенно осторожны в процессе приготовления или разогревания продуктов с высоким содержанием сахара или жира, например, сосисок, пирогов или рождественского пудинга. См. соответствующие советы в инструкции по эксплуатации.

Предотвращение опасности получения травм. ВНИМАНИЕ!

Не используйте печь, если она повреждена или работает с нарушениями. Прежде чем приступить к эксплуатации, проверьте следующее:

- a)** Убедитесь в том, что дверца надежно закрыта, не смещена и не деформирована.
- b)** Убедитесь, что петли и защелки дверцы не сломаны и не расшатаны.
- c)** Убедитесь, что уплотнители дверцы и уплотнительные поверхности не повреждены.
- d)** Убедитесь, что в камере печи и на дверце нет вмятин.
- e)** Убедитесь, что шнур питания и вилка не повреждены.

Если дверца или ее уплотнители повреждены, не используйте печь до тех пор, пока она не будет полностью исправлена компетентным специалистом.

Не регулируйте, не ремонтируйте и не модифицируйте печь самостоятельно. Работы по обслуживанию и ремонту, требующие демонтажа внешнего корпуса, который обеспечивает защиту от воздействия микроволновой энергии, должен производить только квалифицированный специалист.

Не используйте печь с открытой дверцей и не вносите в защелки никаких изменений. Не используйте печь, если между уплотнителями дверцы и уплотнительными поверхностями находится какой-либо предмет.

Следите за тем, чтобы на уплотнителях дверцы и смежных частях не скапливались жир и грязь. Регулярно очищайте печь, удаляя любые остатки пищи.

Следуйте указаниям, приведенным в разделе «Уход и очистка». Печь должна содержаться в чистом

состоянии, в противном случае поверхности могут быть повреждены, что негативным образом отразится на сроке службы устройства и может стать причиной возникновения опасных ситуаций.

Лица, использующие кардиостимуляторы, должны обратиться к доктору или производителю кардиостимулятора для получения рекомендаций касательно профилактических мер в процессе эксплуатации микроволновых печей.

Предотвращение опасности поражения электрическим током.

- Ни при каких обстоятельствах не снимайте внешний корпус.
- Не лейте жидкости и не вставляйте никаких предметов в отверстия дверных защелок и вентиляционные отверстия. В случае проливания жидкости немедленно выключите печь, отключите ее от сети питания и обратитесь к авторизованному сервисному агенту SHARP.
- Не погружайте шнур питания или вилку в воду или какую-либо иную жидкость.
- Не допускайте свисания шнура питания с края стола или рабочей поверхности.
- Держите шнур питания вдали от горячих поверхностей, в том числе не располагайте его позади печи.
- Держите устройство и его шнур питания вне зоны доступа детей младше 8 лет.
- Работы по замене лампочки печи должен производить только квалифицированный электрик, уполномоченный SHARP. В случае неисправности лампочки обратитесь к авторизованному сервисному агенту SHARP.
- Если шнур питания поврежден, необходимо обратиться к авторизованному сервисному агенту SHARP для замены.

ВНИМАНИЕ! Жидкости и другие продукты нельзя разогревать в запечатанных контейнерах, поскольку они могут взорваться. Разогревание напитков в микроволновой печи может привести к запоздалому вскипанию с извержением, поэтому будьте особенно осторожны с контейнером. Предотвращение взрыва или внезапного вскипания:

Никогда не используйте запечатанные контейнеры. Перед использованием снимайте пломбы и крышки. Под воздействием давления запечатанные контейнеры могут взорваться даже после выключения печи. Будьте осторожны в процессе разогревания жидкостей в микроволновой печи. Во избежание внезапного выброса пузырьков используйте контейнер с широким горлышком.

Никогда не разогревайте жидкости в контейнерах с узким горлышком, например, детских бутылочках, поскольку в результате нагревания возможно извержение содержимого из контейнера, которое может привести к ожогам.

Предотвращение внезапного извержения кипящей жидкости или возможного ошпаривания:

1. Время приготовления не должно быть слишком длительным.
2. Перед разогреванием взболтайте жидкость.
3. В процессе разогревания рекомендуется погрузить в жидкость стеклянную палочку или подобный предмет (не металлический).
4. По истечении времени приготовления во избежание запоздалого вскипания с извержением оставьте жидкость в печи, по меньшей мере на 20 секунд.

Не готовьте яйца в скорлупе и не разогревайте в микроволновой печи сваренные вкрутую яйца

целиком, поскольку они могут взорваться даже по завершении приготовления. Для приготовления или разогревания яиц без взбивания и перемешивания прокалывайте белок и желток. Очищайте и нарежьте сваренные вкрутую яйца, прежде чем поставить их в микроволновую печь.

Перед приготовлением прокалывайте кожуру или шкурку таких продуктов, как картофель, сосиски и фрукты, поскольку они могут взорваться.

ВНИМАНИЕ! Во избежание ожогов перед употреблением перемешивайте содержимое детских бутылочек и баночек с детским питанием или взбалтывайте их, а также проверяйте его температуру. Чтобы не обжечься, вынимая блюда из печи, используйте специальные захваты или надевайте кухонные перчатки. Предотвращение опасности получения ожогов:

- Во избежание ожогов паром или извержения кипящей жидкости, открывая контейнеры, посуду для приготовления попкорна, пакеты для запекания и т.п., держите их подальше от лица. Во избежание ожогов всегда проверяйте температуру пищи и перемешивайте ее перед подачей. Обращайте особое внимание на температуру продуктов и напитков, предназначенных для младенцев, детей или пожилых людей. В процессе использования эксплуатируемые части могут нагреваться. Следите за тем, чтобы к печи не приближались маленькие дети.
- Температура контейнера не является достоверным показателем температуры пищи или напитка; всегда проверяйте температуру пищи.
- Во избежание ожогов выходящим паром или жаром, открывая дверцу печи, отходите назад.

- Во избежание ожогов после приготовления разрежьте фаршированные продукты, чтобы выпустить пар.
- Во избежание ожогов не позволяйте детям приближаться к дверце печи.

ВНИМАНИЕ! Дети могут использовать печь без присмотра только при условии, что они ознакомлены с соответствующими инструкциями, получив которые ребенок может использовать печь, соблюдая все правила безопасности и понимая, чем опасна неправильная эксплуатация.

В процессе эксплуатации печи в режимах ГРИЛЬ, КОМБИНИРОВАННЫЙ ГРИЛЬ, КОНВЕКЦИЯ и АВТОМАТИЧЕСКИЕ ПРОГРАММЫ (зависимо от модели), требующих особо высокой температуры, дети могут пользоваться печью только под присмотром взрослых.

Данное устройство не предназначено для использования людьми (в том числе детьми) с ограниченными физическими, сенсорными или умственными способностями и не имеющими достаточного опыта и знаний без присмотра или инструкций по эксплуатации устройства со стороны лица, ответственного за их безопасность.

Следите за тем, чтобы дети не играли с устройством. Чистить устройство дети должны под присмотром взрослых.

Модели с электронной сенсорной панелью оснащены детским замком.

Не опирайтесь на дверцу печи и не раскачивайтесь на ней. Не играйте с печью и не используйте ее в качестве игрушки.

Ознакомьте детей со всеми важными инструкциями по технике безопасности: использование захватов, осторожность при снятии крышек, особая осторожность

в процессе использования упаковок (например, из самонагревающихся материалов), предназначенных для приготовления блюд с хрустящей корочкой, поскольку они могут сильно нагреваться.

Прочие указания

Не вносите в конструкцию печи никаких изменений.

Не двигайте печь в процессе эксплуатации.

Данная печь предназначена только для бытового использования и только для приготовления пищи и напитков дома. Сушка продуктов питания или одежды и разогрев грелок, тапочек, спонжей, влажной ткани и т. д. создают риск получения травм, возгорания или пожара. Она не подходит для коммерческого использования или применения в лабораториях.

Обеспечение бесперебойной эксплуатации и предотвращение повреждений.

Никогда не используйте пустую печь. Во избежание повреждений основания печи или под воздействием высокой тепловой нагрузки, используя блюдо для запекания или самонагревающиеся материалы, подкладывайте под них жаропрочный изолятор, например, фарфоровую тарелку.

Не используйте металлическую посуду, которая отражает микроволны, что может привести к возникновению электрических искр. Не ставьте в печь жестяные банки.

Во избежание повреждения поворотного стола или основания печи:

- a)** Перед очисткой водой дайте устройству остыть.
- b)** Не кладите горячую или холодную пищу и не ставьте горячую посуду на холодный поворотный стол или основание печи.

с) В процессе эксплуатации не ставьте ничего на внешний корпус.

ПРИМЕЧАНИЕ:

Не используйте пластиковые контейнеры для приготовления в режиме микроволн, пока печь не остынет после работы в режиме в комбинированном режиме (зависимо от модели печи), поскольку они могут расплавиться.

Пластиковые контейнеры могут использоваться в вышеупомянутых режимах только в том случае, если это оговорено производителем.

Если Вы не уверены в том, как подключить печь, обратитесь к авторизованному квалифицированному электрику.

Ни производитель, ни дилер не несут ответственности за повреждения печи или несчастные случаи, возникшие вследствие несоблюдения надлежащей процедуры подключения к электрической сети.

На стенках печи или вокруг уплотнителей дверцы или уплотнительных поверхностей может образовываться водный конденсат или капли. Это нормальное явление, которое не является признаком утечки микроволновой энергии или неисправности устройства.

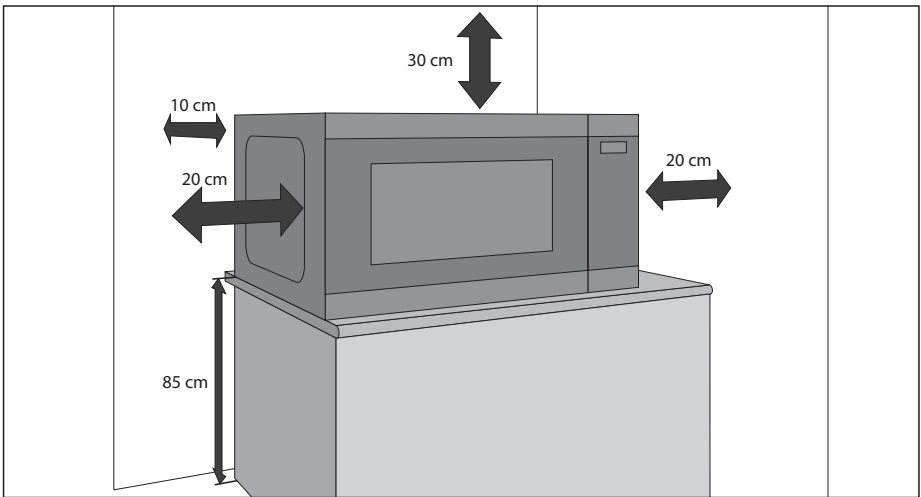
Данное устройство предназначено только для бытового или подобного использования. Например: на кухнях для персонала в магазинах, офисах и других учреждениях, на фермах, для клиентов в отелях, мотелях и прочих жилых объектах, в мини-отелях типа «ночлег и завтрак».



Данный символ обозначает, что в процессе использования поверхности могут нагреваться.

УСТАНОВКА

1. Удалите все упаковочные материалы, находящиеся внутри камеры печи, и снимите защитную пленку с корпуса микроволновой печи.
 2. Внимательно проверьте печь на предмет наличия признаков повреждений.
 3. Установите печь на устойчивую, ровную поверхность, достаточно крепкую для того, чтобы выдержать вес печи и вес самого тяжелого продукта, который предположительно будет в ней готовиться. Не ставьте печь в шкаф.
 4. Выберите ровную поверхность, обеспечив достаточно свободного пространства для впускных и/или выпускных вентиляционных отверстий. См. изображение на первой странице. Задняя поверхность устройства может быть повернута к стене.
- Минимальная высота установки составляет 85 см.
 - Между печью и смежными стенками или объектами должен оставаться зазор не менее 20 см.
 - Оставьте над печью свободное пространство не менее 30 см.
 - Не снимайте ножки, расположенные на днище печи.
 - Не загромождайте впускные и выпускные вентиляционные отверстие - это может привести к повреждению печи.
 - Установите печь как можно дальше от радио и ТВ. Использование микроволновой печи может вызвать помехи в процессе приема радио- или телевизионного сигнала.



5. Вставьте вилку печи в стандартную заземленную бытовую электрическую розетку.

ПРЕДУПРЕЖДЕНИЕ:

ВНИМАНИЕ! Не размещайте печь в местах, где вырабатывается тепло, влага или наблюдается высокая влажность (например, рядом с обычной плитой), а также вблизи легковоспламеняющихся материалов (например, рядом со шторами).

Не блокируйте и не загромождайте вентиляционные отверстия.

Не кладите на печь предметы.

Не касайтесь внешних поверхностей печи в процессе эксплуатации или сразу после завершения приготовления, поскольку данные поверхности сильно нагреваются.

РАДИОПОМЕХИ

Использование микроволновой печи может создавать помехи в работе радиоустройств, телевизора или подобного оборудования. Возникающие помехи можно устранить, приняв следующие меры:

1. Очистите дверцу и рабочую камеру в местах соприкосновения.
2. Измените направление приемной антенны радиоустройства или телевизора.
3. Переставьте микроволновую печь с учетом расположения приемника.
4. Подключите микроволновую печь к другой розетке, чтобы она и приемник питались от разных сетей.

ИНСТРУКЦИИ ПО ЗАЗЕМЛЕНИЮ

Данное устройство требует заземления. Микроволновая печь оснащена шнуром с заземляющим проводом и штепселем заземления. Его необходимо подключить к правильно установленной и заземленной розетке. В случае возникновения короткого замыкания заземление снижает риск удара электрическим током за счет отводящего провода. Рекомендуется предусмотреть отдельный контур, к которому будет подключена только печь.



ВНИМАНИЕ! Неправильное использование штепселя заземления может привести к поражению электрическим током.

ПРИМЕЧАНИЕ:

1. В случае возникновения вопросов касательно заземления или электрики обратитесь к квалифицированному электрику или специалисту по сервисному обслуживанию.
2. Ни производитель, ни дилер не несут ответственности за повреждения печи или несчастные случаи, возникшие вследствие несоблюдения процедуры подключения к электрической сети.

В проводке питания вашей микроволновой печи используется следующая цветовая кодировка проводников:

Зеленый и желтый = ЗЕМЛЯ

Синий = НОЛЬ

Коричневый = ФАЗА

ТЕХНИЧЕСКИЕ ХАРАКТЕРИСТИКИ

Название модели:	YC-PS204A	YC-PS234A	YC-PS254A	YC-PG204A	YC-PG234A	YC-PG254A	YC-PG284A
Напряжение в сети перем. тока	230–220 В, 50 Гц, 1-фазная сеть						
Предохранитель распределительной линии/размыкатель сети	10 А						
Мощность:	Микроволны	700 Вт	900 Вт	900 Вт	700 Вт	900 Вт	900 Вт
	Гриль				900 Вт	1000 Вт	1000 Вт
	Режим выключения	<0,5 Вт					
	Энергосберегающий режим	>0,5 Вт					
	Требуемое питание перем. тока:	1200 Вт	1400 Вт	1400 Вт	1400 Вт	1400 Вт	1400 Вт
Частота микроволн	2450 МГц*						
Внешние габариты (Ш) x (В) x (Г) мм	455 x 274 x 334	483 x 281 x 377	483 x 281 x 403	455 x 274 x 345	483 x 281 x 395	483 x 281 x 403	539 x 309 x 441
Внешние габариты (Ш) x (В) x (Г)** мм	315 x 198 x 297	340 x 220 x 320	340 x 220 x 344	315 x 198 x 297	340 x 220 x 320	340 x 220 x 344	354 x 220 x 358
Емкость печи	20 литров**	23 литров**	25 литров**	20 литров**	25 литров**	25 литров**	28 литров**
Диаметр поворотного стола	245 мм	270 мм	270 мм	245 мм	270 мм	270 мм	325 мм
Размер решетчат для гриля (Ш) x (Г) мм				190 x 79	80 x 208	80 x 208	89 x 285
Вес	прибл. 10,5 кг	прибл. 12,9 кг	прибл. 13,5 кг	прибл. 10,9 кг	прибл. 13,9 кг	прибл. 13,7 кг	прибл. 16,6 кг
Лампочка печи (LED)	1,5 Вт						

* - Данное изделие соответствует требованиям Европейского стандарта EN55011. В соответствии с этим стандартом данное изделие классифицируется как устройство группы 2 класса В.

Группа 2 обозначает, что данное устройство намеренно генерирует высокочастотную энергию в виде электромагнитного излучения для тепловой обработки пищевых продуктов.

Класс В обозначает, что данное устройство подходит для применения в домашних условиях.

** - Внутренняя емкость рассчитана путем измерения максимальной ширины, глубины и высоты. Фактически для размещения пищи предусмотрена меньшая емкость.

В РАМКАХ ПОЛИТИКИ ПОСТОЯННОГО УСОВЕРШЕНСТВОВАНИЯ МЫ ОСТАВЛЯЕМ ЗА СОБОЙ ПРАВО НА ИЗМЕНЕНИЕ

ПЕЧЬ И ПРИНАДЛЕЖНОСТИ

1. Система защитной блокировки дверцы
2. Окошко печи
3. Роллер
4. Муфта поворотного стола
5. Поворотный переключатель и кнопки управления
6. Крышка волновода (НЕ СНИМАТЬ)
7. Стекланный поднос
8. Решетка для гриля YC-PG204AU, YC-PG234AU, YC-PG254AU и YC-PG284AU
9. Вентиляционные отверстия
10. Внешний корпус
11. Шнур питания

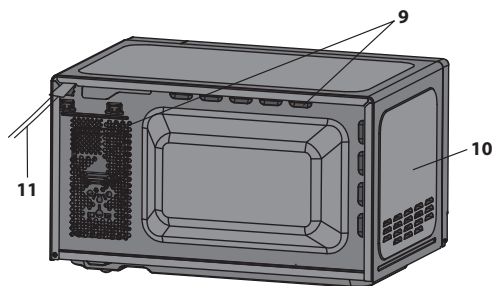
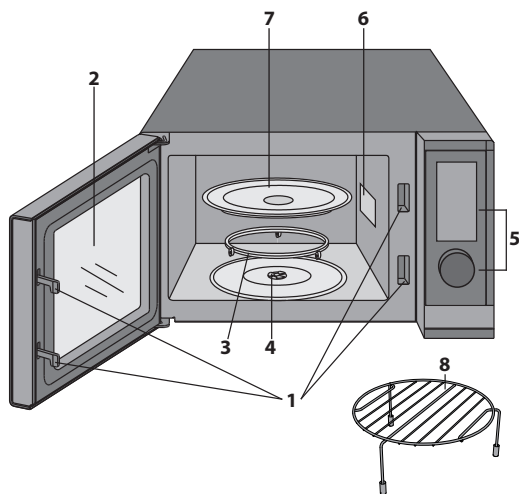
Убедитесь в наличии следующих принадлежностей:

Только для печей с грилем:

- **Решетка для гриля** — для использования только с функцией гриля.
- Решетка для гриля предназначена для использования только в печах с грилем. НЕ используйте решетку в режиме микроволновой обработки.
- Информация по использованию решетки для гриля приведена в разделах, посвященных эксплуатации печи в режиме гриля.

Никогда не прикасайтесь к горячему грилю.

ПРИМЕЧАНИЕ. Заказывая принадлежности, предоставьте следующие данные: название детали и наименование модели.



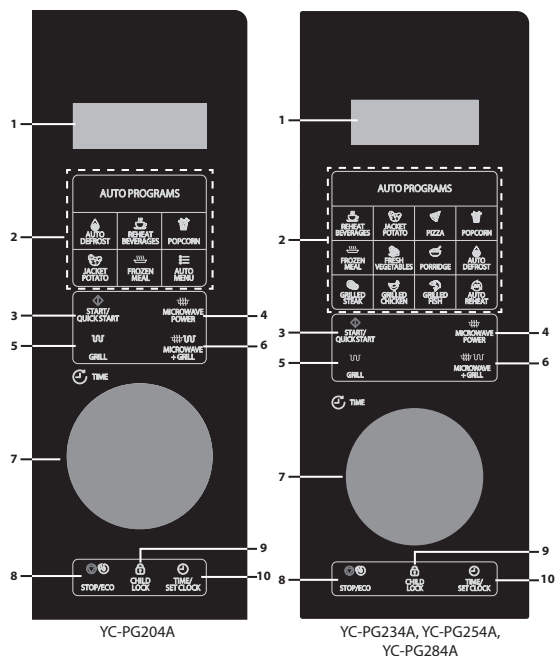
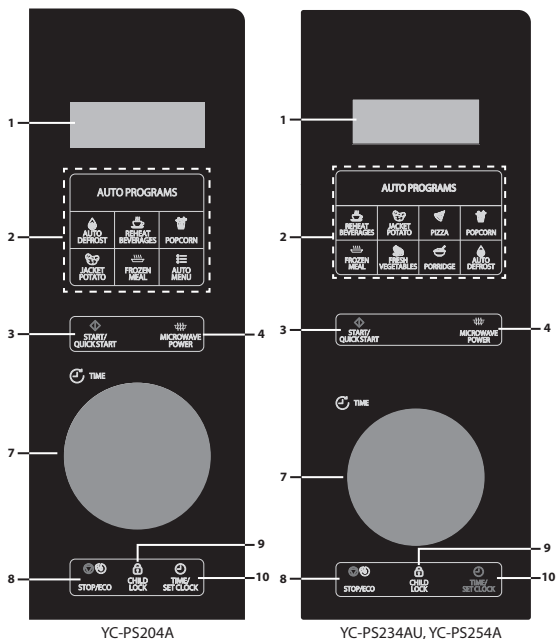
ПРИМЕЧАНИЯ:

- После приготовления жирной пищи без крышки тщательно очищайте рабочую камеру, которая всегда должна быть сухой и чистой. Перегрев вьезшегося жира может привести к появлению дыма или возгоранию.
- В режиме микроволновой обработки всегда кладите пищу на поворотный стол.
- НЕ используйте решетку для гриля в режиме микроволновой обработки.

⚠ ВНИМАНИЕ! ⚠ Данный символ обозначает, что в процессе эксплуатации поверхности могут нагреваться. Дверца, корпус, рабочая камера и принадлежности становятся очень горячими. Во избежание ожогов используйте толстые перчатки.

ПАНЕЛЬ УПРАВЛЕНИЯ

- ЦИФРОВОЙ ДИСПЛЕЙ** — отображение времени, мощности, индикаторов и часов.
- Кнопки «АВТОМАТИЧЕСКИЕ ПРОГРАММЫ»** — нажмите, чтобы выбрать автоматическую программу приготовления (см. рекомендации по использованию на стр. 19).
- ЗАПУСК/БЫСТРЫЙ ЗАПУСК** — (стр. 18).
- МОЩНОСТЬ МИКРОВОЛН** — нажмите, чтобы выбрать уровень мощности микроволн (стр. 17).
- ГРИЛЬ** — нажмите, чтобы настроить программу приготовления на гриле (стр. 18).
- МИКРОВОЛНЫ+ГРИЛЬ** — нажмите, чтобы настроить комбинированную программу приготовления (стр. 18).
- ПОВОРОТНЫЙ ПЕРЕКЛЮЧАТЕЛЬ** — поворачивайте по часовой стрелке или против часовой стрелки для настройки различных функций.
- СТОП/ЭКО** — нажмите один раз, чтобы на некоторое время остановить приготовление, или два раза, чтобы отменить приготовление. Используйте для настройки энергосберегающего режима. (Стр. 23).
- ЗАЩИТА ОТ ДЕТЕЙ** — (стр. 24).
- ВРЕМЯ/НАСТРОЙКА ЧАСОВ** — используйте для настройки часов и функции таймера (стр. 16).



ПЕРЕД ИСПОЛЬЗОВАНИЕМ ПЕЧИ

При первом подключении печи к сети питания раздается звуковой сигнал, а на дисплее появляется надпись «1:00». Обратите внимание, что для правильной работы печи необязательно настраивать часы. Указания по настройке часов приведены в разделе «**Настройка часов**» данной инструкции по эксплуатации. При первом использовании нового гриля может возникать дым и посторонние запахи. Чтобы избежать этого во время приготовления пищи, запустите функцию гриля без продуктов прибл. на 20 минут.

- После открывания и закрывания дверцы печь переходит в режим ожидания. Если не нажать какую-либо кнопку в течение 1 минуты, дисплей остается включенным, а кнопки блокируются. Чтобы снова перейти в режим ожидания, откройте и закройте дверцу.
- Если в процессе приготовления один раз нажать кнопку **СТОП/ЭКО**, цикл приготовления останавливается. Чтобы возобновить процесс приготовления, нажмите кнопку **ЗАПУСК/БЫСТРЫЙ ЗАПУСК**. Двойным нажатием кнопки **СТОП/ЭКО** можно отменить приготовление.
- Если в процессе программирования определенной функции печи пауза между нажатием кнопок превышает 30 секунд, печь возвращается в режим ожидания.
- После завершения цикла приготовления на дисплее появляется надпись «**End**» («Конец») и через каждые две минуты раздается звуковой сигнал, пока пользователь не нажмет кнопку или не откроет дверцу.

НАСТРОЙКА ЧАСОВ

Данная печь оснащена часами, которые можно использовать в 12- или 24-часовом формате. Для настройки часов следуйте инструкциям ниже:

1. В режиме ожидания нажмите и удерживайте кнопку **ВРЕМЯ/НАСТРОЙКА ЧАСОВ** в течение по меньшей мере 3 секунд, чтобы перейти в режим настройки часов.
 2. Нажмите кнопку **ВРЕМЯ/НАСТРОЙКА ЧАСОВ**, чтобы выбрать 12- или 24-часовой формат часов.
 3. Поворачивайте **ПОВОРОТНЫЙ ПЕРЕКЛЮЧАТЕЛЬ**, чтобы настроить часы. Нажмите кнопку **ВРЕМЯ/НАСТРОЙКА ЧАСОВ** для сохранения.
 4. Поворачивайте **ПОВОРОТНЫЙ ПЕРЕКЛЮЧАТЕЛЬ**, чтобы настроить минуты. Нажмите кнопку **ВРЕМЯ/НАСТРОЙКА ЧАСОВ** для сохранения и выхода из режима настройки часов.
- Для нормальной работы печи настраивать блокировку не требуется.
 - В процессе приготовления нажмите кнопку **ВРЕМЯ/НАСТРОЙКА ЧАСОВ**, чтобы посмотреть время суток (если оно настроено). Через пять секунд вместо времени суток на дисплее снова отображается время приготовления. Обратите внимание, что если установлен кухонный таймер, посмотреть время суток нельзя.

ПРИГОТОВЛЕНИЕ С ИСПОЛЬЗОВАНИЕМ МИКРОВОЛН

Для использования печи в режиме микроволновой обработки следуйте инструкциям ниже:

1. В режиме ожидания нажмите кнопку **МОЩНОСТЬ МИКРОВОЛН**, чтобы выбрать уровень мощности. При нажатии этой кнопки на дисплее каждый раз отображается уровень мощности микроволн.
2. Выбрав нужный уровень мощности, поворачивайте **ПОВОРОТНЫЙ ПЕРЕКЛЮЧАТЕЛЬ**, чтобы выбрать время приготовления.
3. Нажмите кнопку **ЗАПУСК / БЫСТРЫЙ ЗАПУСК**, чтобы начать приготовление.
4. После завершения цикла приготовления на дисплее появляется надпись «**End**» («Конец») и через каждые две минуты раздается звуковой сигнал, пока пользователь не нажмет кнопку или не откроет дверцу.

Обратите внимание, что таблица ниже содержит ориентировочные данные. В вашей печи предусмотрены 10 уровней мощности микроволн: 10%, 20%, 30%, 40%, 50%, 60%, 70%, 80%, 90% и 100%. Фактическую выходную мощность в ваттах можно рассчитать, умножив мощность микроволн на процент.

Инструкция по приготовлению с использованием микроволн

Дисплей	Мощность микроволн	Предположительное использование
P100	100%	Используется для быстрого приготовления или разогрева запеканок, горячих напитков, овощей и т. д.
P-80	80%	Для продуктов плотной консистенции, требующих длительного приготовления при использовании обычных методов приготовления. Например, в процессе приготовления блюд из говядины рекомендуется использовать данный режим для получения нежного мяса.
P-60	60%	Используется для более длительного приготовления продуктов плотной консистенции, например жареного мяса, мясного хлеба и блюд, сервированных для подачи, а также нежных блюд, например бисквитных пирожных.
P-40	40%	Для разморозки, выберите данный уровень мощности для равномерной разморозки продуктов. Данный режим также идеально подходит для медленной варки риса, макаронных изделий,пельменей и приготовления яичного крема.
P-20	20%	Для мягкой разморозки, например, сливочных пирожных и других кондитерских изделий.

- В процессе приготовления уровень мощности можно проверить, нажав и удерживая кнопку **МОЩНОСТЬ МИКРОВОЛН**.
- Самое длинное время приготовления составляет 95 минут.

БЫСТРЫЙ ЗАПУСК

Для приготовления на уровне мощности 100% просто нажмите кнопку **ЗАПУСК/БЫСТРЫЙ ЗАПУСК** на **ПОВОРОТНОМ ПЕРЕКЛЮЧАТЕЛЕ** в режиме ожидания. Каждый раз при нажатии кнопки **ЗАПУСК/БЫСТРЫЙ ЗАПУСК** время приготовления увеличивается на 30 секунд.

ПРИГОТОВЛЕНИЕ НА ГРИЛЕ*

Нагревательный элемент гриля в верхней части рабочей камеры имеет только один уровень мощности, он эффективный и экономичный. Гриль идеально подходит для приготовления бекона, стейков из окорока и булочек к чаю.

Для приготовления на гриле небольших порций, например бекона или сосисок, используйте решетку. По истечении половины времени приготовления на гриле переверните продукт. Вы можете положить продукты прямо на решетку или поставить их на нее в форме для пирога/жаропрочном блюде. Для сбора капель жира или масла в процессе приготовления поставьте под решетку подходящий поддон.

Для подрумянивания или создания корочки на продуктах в блюде для запекания можно использовать решетку, если емкость достаточно мелкая. Однако рекомендуется ставить такие емкости прямо на поворотный стол, чтобы иметь запас времени для подрумянивания до нужного состояния. Использовать решетку для гриля нельзя.

Для использования печи в режиме гриля следуйте инструкциям ниже:

1. В режиме ожидания нажмите кнопку **ГРИЛЬ**, чтобы выбрать функцию гриля. На дисплее появляется надпись «**Grill**» («Гриль»).
2. Установите время приготовления при помощи **ПОВОРОТНОГО ПЕРЕКЛЮЧАТЕЛЯ**.
3. Нажмите кнопку **ЗАПУСК / БЫСТРЫЙ ЗАПУСК**, чтобы начать приготовление.
4. После завершения цикла приготовления на дисплее появляется надпись «**End**» («Конец») и через каждые 2 минуты раздается звуковой сигнал, пока пользователь не нажмет кнопку или не откроет дверцу.

* - Только модели с грилем.

МИКРОВОЛНЫ + ГРИЛЬ*

Для подрумянивания и быстрого приготовления пищи можно использовать функцию микроволновой обработки и гриля одновременно. Для использования печи в комбинированном режиме следуйте инструкциям ниже:

1. В режиме ожидания нажмите кнопку **МИКРОВОЛНЫ + ГРИЛЬ** один или два раза и выберите режим «Со-1» или «Со-2».
2. Поверните **ПОВОРОТНЫЙ ПЕРЕКЛЮЧАТЕЛЬ**, чтобы настроить время приготовления.
3. Нажмите кнопку **ЗАПУСК / БЫСТРЫЙ ЗАПУСК**, чтобы начать приготовление.
4. После завершения цикла приготовления на дисплее появляется надпись «**End**» («Конец») и через каждые две минуты раздается звуковой сигнал, пока пользователь не нажмет кнопку или не откроет дверцу.

Функция «Микроволны + гриль»

Дисплей	Мощность	Предположительное использование
Со-1	70% гриль / 30% м/волны	Порционная курятина, куриная грудка, свиные котлеты
Со-2	56% гриль / 44% м/волны	Целая курица

- Максимальное время приготовления на гриле составляет 95 минут.
- В процессе приготовления на гриле откройте окно или включите вытяжку, чтобы выходил возможный дым или запахи. Это нормальное явление, которое не является признаком неисправности печи.
- В процессе приготовления вы можете проверить текущий комбинированный режим приготовления, нажав кнопку **МИКРОВОЛНЫ+ГРИЛЬ**.
- При использовании функции гриля гриль включается и выключается через равные промежутки времени во избежание перегрева.
- При использовании функции **МИКРОВОЛНЫ + ГРИЛЬ** продукты можно положить в подходящую емкость и поставить прямо на поворотный стол печи или на входящую в комплект решетку для гриля.

ВНИМАНИЕ! В процессе эксплуатации дверца, корпус, камера печи, принадлежности и посуда сильно нагреваются. Во избежание ожогов пользуйтесь толстыми кухонными перчатками.

* - Только модели с грилем.

АВТОМАТИЧЕСКИЕ ПРОГРАММЫ

Автоматические программы позволяют быстро и эффективно готовить блюда нажатием всего нескольких кнопок. Выбирать время приготовления и мощность не требуется, нужно лишь нажать кнопку соответствующей программы, ввести вес / количество порций при помощи **ПОВОРОТНОГО ПЕРЕКЛЮЧАТЕЛЯ** и нажать кнопку **ЗАПУСК / БЫСТРЫЙ ЗАПУСК**.

Например, для приготовления двух картофелин в мундире.

1. Откройте дверцу и положите блюдо в печь в емкости, соответствующей выбранному циклу приготовления.
2. Закройте дверцу.
3. Нажмите кнопку **КАРТОФЕЛЬ В МУНДИРЕ** один раз.
4. Введите количество картофелин при помощи **ПОВОРОТНОГО ПЕРЕКЛЮЧАТЕЛЯ**.
5. Нажмите кнопку **ЗАПУСК / БЫСТРЫЙ ЗАПУСК**, чтобы начать приготовление.
6. После завершения цикла приготовления на дисплее появляется надпись «End» («Конец») и через каждые две минуты раздается звуковой сигнал, пока пользователь не нажмет кнопку или не откроет дверцу.

Автоматические программы:

Автоменю	Способ выбора веса или количества порций	Размер/вес	Автоматическая программа
Замороженное блюдо	Выберите вес при помощи ПОВОРОТНОГО ПЕРЕКЛЮЧАТЕЛЯ , затем нажмите кнопку ЗАПУСК / БЫСТРЫЙ ЗАПУСК , чтобы начать приготовление.	От 200 до 800 г	-
Автоматическое размораживание		От 100 до 1800 г	-
Разогрев напитков	Выберите количество чашек при помощи ПОВОРОТНОГО ПЕРЕКЛЮЧАТЕЛЯ , затем нажмите кнопку ЗАПУСК / БЫСТРЫЙ ЗАПУСК , чтобы начать приготовление.	От 1 до 3 чашек (200 мл каждая)	-
Картофель в мундире	Выберите количество картофелин при помощи ПОВОРОТНОГО ПЕРЕКЛЮЧАТЕЛЯ , затем нажмите кнопку ЗАПУСК / БЫСТРЫЙ ЗАПУСК , чтобы начать приготовление.	От 1 до 3 картофелин (по 230 г)	-
Попкорн	Выберите вес при помощи ПОВОРОТНОГО ПЕРЕКЛЮЧАТЕЛЯ , затем нажмите кнопку ЗАПУСК / БЫСТРЫЙ ЗАПУСК , чтобы начать приготовление.	Шаг 100 г	-
Свежие овощи		От 200 до 600 г	A-1
Пицца		150 г / 300 г / 450 г	A-2
Каша		От 50 до 150 г	A-3
Стейк на гриле*		От 200 до 600 г	A-4
Курица на гриле*		От 200 до 600 г	A-5
Автоматический разогрев*		От 200 до 800 г	A-6
Рыба на гриле*		От 100 до 500 г	A-7

* - Только модели с грилем.

- Результаты приготовления в автоматическом режиме могут различаться в зависимости от формы и размера продуктов, а также ваших личных предпочтений относительно степени готовности определенных продуктов и их расположения в печи. Если вы не довольны полученным результатом, отрегулируйте программу соответствующим образом.

Примечание. Кнопка «Автоматические программы» используется только в моделях YC-PG204A и YC-PS204A. При нажатии данной кнопки на дисплее каждый раз отображается автоматическая программа, как показано в таблице выше. Выбрав подходящую автоматическую программу, настройте вес продуктов для приготовления при помощи **ПОВОРОТНОГО ПЕРЕКЛЮЧАТЕЛЯ**.

Описание автоматической программы

Продукты	Количество	Исходная температура	Технология приготовления
Разогрев напитков	От 1 до 3 чашек 1 чашка = 200 мл	Комнатной температуры	<ol style="list-style-type: none"> 1. Поместите напиток, который нужно разогреть, в центр стеклянного поворотного стола микроволновой печи. 2. Закройте дверцу, нажмите кнопку РАЗОГРЕВ НАПИТКОВ и выберите количество чашек при помощи ПОВОРОТНОЙ РУЧКИ. 3. Нажмите кнопку ЗАПУСК / БЫСТРЫЙ ЗАПУСК, чтобы начать приготовление. 4. Когда таймер остановится, выньте свой напиток. Будьте осторожны, поскольку он будет горячим.
Картофель в мундире	От 1 до 2 картофелин 1 картофелина = 230+10 г	Комнатной температуры	<ol style="list-style-type: none"> 1. Вымойте и осушите картофель. Проколите шкуру картофеля вилкой в нескольких местах. 2. Поместите картофель в центр стеклянного поворотного стола микроволновой печи 3. Закройте дверцу, нажмите кнопку КАРТОФЕЛЬ В МУНДИРЕ и выберите количество картофелин при помощи ПОВОРОТНОЙ РУЧКИ. 4. Нажмите кнопку ЗАПУСК / БЫСТРЫЙ ЗАПУСК, чтобы начать приготовление. 5. Когда таймер остановится, выньте картофель. Будьте осторожны, поскольку он будет горячим.
Пицца	От 150 до 450 г	Замороженная, -18 °С	<ol style="list-style-type: none"> 1. Положите пиццу на тарелку, пригодную для использования в микроволновой печи, и поставьте тарелку в центр стеклянного поворотного стола. 2. Закройте дверцу, нажмите кнопку ПИЦЦА и выберите вес при помощи ПОВОРОТНОЙ РУЧКИ. 3. Нажмите кнопку ЗАПУСК / БЫСТРЫЙ ЗАПУСК, чтобы начать приготовление. 4. Когда таймер остановится, выньте пиццу. Будьте осторожны, поскольку она будет горячей.
Попкорн	100 г	Комнатной температуры	<ol style="list-style-type: none"> 1. Поместите попкорн в центр стеклянного поворотного стола микроволновой печи. 2. Закройте дверцу и нажмите кнопку ПОПКОРН. 3. Нажмите кнопку ЗАПУСК / БЫСТРЫЙ ЗАПУСК, чтобы начать приготовление. 4. Когда таймер остановится, выньте попкорн. Будьте осторожны, поскольку он будет горячим.
Замороженное блюдо	От 200 до 800 г	Замороженное, -18 °С	<ol style="list-style-type: none"> 1. Положите замороженные продукты в блюдо, пригодное для использования в микроволновой печи, и накройте пластиковой пленкой; проколите отверстия в пленке. 2. Поместите блюдо в центр стеклянного поворотного стола микроволновой печи 3. Закройте дверцу, нажмите кнопку ЗАМОРОЖЕННОЕ БЛЮДО и выберите вес при помощи ПОВОРОТНОЙ РУЧКИ. 4. Нажмите кнопку ЗАПУСК / БЫСТРЫЙ ЗАПУСК, чтобы начать приготовление. 5. Когда таймер остановится, выньте и подайте блюдо. Будьте осторожны, поскольку оно может быть горячим.
Свежие овощи	От 200 до 600 г	Комнатной температуры	<ol style="list-style-type: none"> 1. Вымойте овощи и нарежьте их небольшими кусочками длиной 25-30 мм и толщиной 10 мм. 2. Положите эти кусочки в керамическую миску, пригодную для использования в микроволновой печи, и накройте пластиковой пленкой; проколите отверстия в пленке. 3. Поместите миску в центр стеклянного поворотного стола микроволновой печи 4. Закройте дверцу, нажмите кнопку СВЕЖИЕ ОВОЩИ и выберите вес при помощи ПОВОРОТНОЙ РУЧКИ. 5. Нажмите кнопку ЗАПУСК / БЫСТРЫЙ ЗАПУСК, чтобы начать приготовление. 6. Когда таймер остановится, выньте и подайте блюдо. Будьте осторожны, поскольку оно может быть горячим.
Каша	От 50 до 150 г	Комнатной температуры	<ol style="list-style-type: none"> 1. Смешайте овсяные хлопья с молоком в миске. Возьмите примерно 180 мл молока на 50 г хлопьев. 2. Поместите миску в центр стеклянного поворотного стола. 3. Закройте дверцу, нажмите кнопку КАША и выберите вес при помощи ПОВОРОТНОЙ РУЧКИ. 4. Нажмите кнопку ЗАПУСК / БЫСТРЫЙ ЗАПУСК, чтобы начать приготовление. 5. Когда таймер остановится, выньте и подайте блюдо.
Автоматический разогрев	От 200 до 800 г	Охлажденные продукты, 5 °С	<ol style="list-style-type: none"> 1. Положите холодный рис или пасту в керамическую миску, пригодную для использования в микроволновой печи, и накройте пластиковой пленкой; проколите отверстия в пленке. 2. Поместите миску в центр стеклянного поворотного стола микроволновой печи 3. Закройте дверцу, нажмите кнопку АВТОРАЗОГРЕВ и выберите вес при помощи ПОВОРОТНОЙ РУЧКИ. 4. Нажмите кнопку ЗАПУСК / БЫСТРЫЙ ЗАПУСК, чтобы начать приготовление. 5. Когда таймер остановится, выньте и подайте блюдо.
Стейк на гриле	От 200 до 600 г	Комнатной температуры	<ol style="list-style-type: none"> 1. Равномерно распределите стейк на решетке гриля, накрытой жиростойкой бумагой. 2. Поместите решетку гриля в центр стеклянного поворотного стола микроволновой печи. 3. Закройте дверцу, нажмите кнопку СТЕЙК НА ГРИЛЕ и выберите вес при помощи ПОВОРОТНОЙ РУЧКИ. 4. Нажмите кнопку ЗАПУСК / БЫСТРЫЙ ЗАПУСК, чтобы начать приготовление. 5. По истечении времени приготовления откройте дверцу и переверните стейк, затем закройте дверцу и продолжите приготовление. 6. Когда таймер остановится, выньте и подайте блюдо. Будьте осторожны, поскольку блюдо и посуда будут горячими.
Кусочки курицы на гриле	От 200 до 600 г	Комнатной температуры	<ol style="list-style-type: none"> 1. Равномерно распределите кусочки курицы на решетке гриля, накрытой жиростойкой бумагой. 2. Поместите решетку гриля в центр стеклянного поворотного стола микроволновой печи. 3. Закройте дверцу, нажмите кнопку КУРИЦА НА ГРИЛЕ и выберите вес при помощи ПОВОРОТНОЙ РУЧКИ. 4. Нажмите кнопку ЗАПУСК / БЫСТРЫЙ ЗАПУСК, чтобы начать приготовление. 5. По истечении двух третей времени приготовления откройте дверцу и переверните стейк, затем закройте дверцу и продолжите приготовление. 6. Когда таймер остановится, выньте и подайте блюдо. Будьте осторожны, поскольку блюдо и посуда будут горячими.
Кусочки рыбы на гриле	От 100 до 500 г	Комнатной температуры	<ol style="list-style-type: none"> 1. Равномерно распределите кусочки рыбы на решетке гриля, накрытой жиростойкой бумагой. 2. Поместите решетку гриля в центр стеклянного поворотного стола микроволновой печи. 3. Закройте дверцу, нажмите кнопку РЫБА НА ГРИЛЕ и выберите вес при помощи ПОВОРОТНОЙ РУЧКИ. 4. Нажмите кнопку ЗАПУСК / БЫСТРЫЙ ЗАПУСК, чтобы начать приготовление. 5. По истечении двух третей времени приготовления откройте дверцу и переверните стейк, затем закройте дверцу и продолжите приготовление. 6. Когда таймер остановится, выньте и подайте блюдо. Будьте осторожны, поскольку блюдо и посуда будут горячими.

Примечание	Режим печи и используемый метод	YC-PS204A	YC-PS234A и YC-PS254A	YC-PG204A	YC-PG234A, YC-PG254A и YC-PG284A
	Мощность микроволн только 100%	1 чашка — 1:40 мин. 2 чашки — 3:00 мин. 3 чашки — 4:20 мин.	1 чашка — 1:30 мин. 2 чашки — 2:40 мин. 3 чашки — 3:50 мин.	1 чашка — 1:40 мин. 2 чашки — 3:00 мин. 3 чашки — 4:20 мин.	1 чашка — 1:30 мин. 2 чашки — 2:40 мин. 3 чашки — 3:50 мин.
	Только микроволны, мощность 100%	1 картофелина — 6:00 мин. 2 картофелины — 9:00 мин. 3 картофелины — 13:00 мин.	1 картофелина — 5:00 мин. 2 картофелины — 8:00 мин. 3 картофелины — 12:00 мин.	1 картофелина — 6:00 мин. 2 картофелины — 9:00 мин. 3 картофелины — 13:00 мин.	1 картофелина — 5:00 мин. 2 картофелины — 8:00 мин. 3 картофелины — 12:00 мин.
В моделях YC-PS204A и YC-PG204A кнопку МЕНЮ АВТОПРОГРАММ нужно нажимать до тех пор, пока не появится нужная программа.	Только микроволны, мощность 100%	150 г — 1:00 мин. 300 г — 1:30 мин. 450 г — 2:00 мин.	150 г — 0:50 мин. 300 г — 1:20 мин. 450 г — 1:50 мин.	150 г — 1:00 мин. 300 г — 1:30 мин. 450 г — 2:00 мин.	150 г — 0:50 мин. 300 г — 1:20 мин. 450 г — 1:50 мин.
	Только микроволны, мощность 100%	100 г — 3:00 мин.	100 г — 2:00 мин.	100 г — 3:00 мин.	100 г — 2:30 мин.
	Микроволны на мощности 100% в течение 1/2 времени, затем на мощности 0% в течение 1/6, а затем на мощности 100% в течение 1/3 времени	200 г — 8:00 мин. 400 г — 11:00 мин. 600 г — 15:00 мин. 800 г — 18:00 мин.	200 г — 6:00 мин. 400 г — 9:00 мин. 600 г — 13:00 мин. 800 г — 16:00 мин.	200 г — 8:00 мин. 400 г — 11:00 мин. 600 г — 15:00 мин. 800 г — 18:00 мин.	200 г — 6:00 мин. 400 г — 9:00 мин. 600 г — 13:00 мин. 800 г — 16:00 мин.
В моделях YC-PS204A и YC-PG204A кнопку МЕНЮ АВТОПРОГРАММ нужно нажимать до тех пор, пока не появится нужная программа.	Только микроволны, мощность 100%	200 г — 3:30 мин. 300 г — 4:30 мин. 400 г — 5:30 мин. 500 г — 6:30 мин. 600 г — 7:30 мин.	200 г — 3:00 мин. 300 г — 4:00 мин. 400 г — 5:00 мин. 500 г — 6:00 мин. 600 г — 7:00 мин.	200 г — 3:30 мин. 300 г — 4:30 мин. 400 г — 5:30 мин. 500 г — 6:30 мин. 600 г — 7:30 мин.	200 г — 3:00 мин. 300 г — 4:00 мин. 400 г — 5:00 мин. 500 г — 6:00 мин. 600 г — 7:00 мин.
В моделях YC-PS204A и YC-PG204A кнопку МЕНЮ АВТОПРОГРАММ нужно нажимать до тех пор, пока не появится нужная программа.	Микроволны — 100%	50 г — 2:00 мин. 100 г — 3:30 мин. 150 г — 5:30 мин.	50 г — 2:00 мин. 100 г — 3:30 мин. 150 г — 5:30 мин.	50 г — 2:00 мин. 100 г — 3:30 мин. 150 г — 5:30 мин.	50 г — 2:00 мин. 100 г — 3:30 мин. 150 г — 5:30 мин.
В модели YC-PG204A кнопку МЕНЮ АВТОПРОГРАММ нужно нажимать до тех пор, пока не появится нужная программа.	Только микроволны, мощность 100%	200 г — 2:00 мин. 300 г — 2:40 мин. 400 г — 3:20 мин. 500 г — 4:00 мин. 600 г — 4:40 мин. 700 г — 5:20 мин. 800 г — 6:00 мин.	200 г — 1:30 мин. 300 г — 2:00 мин. 400 г — 2:30 мин. 500 г — 3:00 мин. 600 г — 3:30 мин. 700 г — 4:00 мин. 800 г — 4:30 мин.	200 г — 2:00 мин. 300 г — 2:40 мин. 400 г — 3:20 мин. 500 г — 4:00 мин. 600 г — 4:40 мин. 700 г — 5:20 мин. 800 г — 6:00 мин.	200 г — 1:30 мин. 300 г — 2:00 мин. 400 г — 2:30 мин. 500 г — 3:00 мин. 600 г — 3:30 мин. 700 г — 4:00 мин. 800 г — 4:30 мин.
В модели YC-PG204A кнопку МЕНЮ АВТОПРОГРАММ нужно нажимать до тех пор, пока не появится нужная программа.	Микроволновая печь работает на мощности 100% в течение 10 секунд, затем на 23 секунды включается гриль. Этот цикл повторяется до завершения времени приготовления. Микроволновая печь и гриль никогда не работают одновременно.	Н/П	Н/П	200 г — 15:00 мин. 300 г — 18:00 мин. 400 г — 21:00 мин. 500 г — 24:00 мин. 600 г — 27:00 мин.	200 г — 15:00 мин. 300 г — 18:00 мин. 400 г — 21:00 мин. 500 г — 24:00 мин. 600 г — 27:00 мин.
В модели YC-PG204A кнопку МЕНЮ АВТОПРОГРАММ нужно нажимать до тех пор, пока не появится нужная программа.	Микроволновая печь работает на мощности 100% в течение 10 секунд, затем на 23 секунды включается гриль. Этот цикл повторяется до завершения времени приготовления. Микроволновая печь и гриль никогда не работают одновременно.	Н/П	Н/П	200 г — 15:00 мин. 300 г — 18:00 мин. 400 г — 21:00 мин. 500 г — 24:00 мин. 600 г — 27:00 мин.	200 г — 15:00 мин. 300 г — 18:00 мин. 400 г — 21:00 мин. 500 г — 24:00 мин. 600 г — 27:00 мин.
В модели YC-PG204A кнопку МЕНЮ АВТОПРОГРАММ нужно нажимать до тех пор, пока не появится нужная программа.	Микроволновая печь работает на мощности 100% в течение 10 секунд, затем на 23 секунды включается гриль. Этот цикл повторяется до завершения времени приготовления. Микроволновая печь и гриль никогда не работают одновременно.	Н/П	Н/П	100 г — 12:00 мин. 200 г — 15:00 мин. 300 г — 18:00 мин. 400 г — 21:00 мин. 500 г — 24:00 мин.	100 г — 12:00 мин. 200 г — 15:00 мин. 300 г — 18:00 мин. 400 г — 21:00 мин. 500 г — 24:00 мин.

АВТОМАТИЧЕСКОЕ РАЗМОРАЖИВАНИЕ

Функция автоматического размораживания позволяет размораживать продукты по весу. Время размораживания и уровень мощности устанавливаются автоматически в зависимости от выбранной категории и веса продукта. Вес замороженных продуктов находится в диапазоне от 100 г до 1800 г.

1. В режиме ожидания нажмите кнопку **АВТОМАТИЧЕСКОЕ РАЗМОРАЖИВАНИЕ**.
2. Выберите вес продукта для разморозки при помощи **ПОВОРОТНОГО ПЕРЕКЛЮЧАТЕЛЯ**.
3. Нажмите кнопку **ЗАПУСК / БЫСТРЫЙ ЗАПУСК**, чтобы начать разморозку.
4. Если печь остановится в процессе разморозки, переверните продукт для равномерного размораживания и снова нажмите кнопку **ЗАПУСК / БЫСТРЫЙ ЗАПУСК**, чтобы продолжить размораживание в течение оставшегося времени.
5. После завершения цикла размораживания на дисплее появляется надпись «**End**» («Конец») и через каждые 2 минуты раздается звуковой сигнал, пока пользователь не нажмет кнопку или не откроет дверцу.

Автоматическая разморозка — эксплуатация

Модель	Диапазон веса	Диапазон времени разморозки	Режим разморозки	Метод
УС-PG204А	От 100 до 1800 г	От 5,5 до 39,5 минут	Микроволны на мощности 40% в течение 1/3 времени, затем 20% в течение следующей 1/3 времени. Уведомление о необходимости перевернуть продукты, после переворачивания разморозка на мощности 20% в течение оставшегося времени.	1. Положите замороженные продукты в блюдо, пригодное для использования в микроволновой печи, и накройте пластиковой пленкой; проколите отверстия в пленке. 2. Поместите блюдо в центр стеклянного поворотного стола микроволновой печи 3. Закройте дверцу, нажмите кнопку АВТОРАЗМОРОЗКА и выберите вес при помощи ПОВОРОТНОЙ РУЧКИ. 4. Нажмите кнопку ЗАПУСК / БЫСТРЫЙ ЗАПУСК, чтобы начать разморозку. 5. После частичного прохождения цикла разморозки печь остановится и выведет уведомление о необходимости перевернуть продукты.
УС-PG204А	От 100 до 1800 г	От 5 до 39 минут	Микроволны на мощности 40% в течение 1/3 времени, затем 20% в течение следующей 1/3 времени. Уведомление о необходимости перевернуть продукты, после переворачивания разморозка на мощности 20% в течение оставшегося времени.	6. Откройте дверцу и переверните/переместите продукты. Закройте дверцу.
УС-PS234А и УС-PG234А	От 100 до 1800 г	От 5,5 до 39,5 минут	Микроволны на мощности 20% в течение половины времени, уведомление о необходимости перевернуть продукты. Мощность 20% на все оставшееся время.	7. Нажмите кнопку ЗАПУСК / БЫСТРЫЙ ЗАПУСК, чтобы начать разморозку. 8. Когда таймер остановится, выньте продукты из печи. Убедитесь, что они полностью разморозились.
УС-PS254А, УС-PG254А и УС-PG284А	От 100 до 1800 г	От 3 до 37 минут	Микроволны на мощности 30% в течение 1/3 времени, затем 20% в течение следующей 1/3 времени. Уведомление о необходимости перевернуть продукты, после переворачивания разморозка на мощности 20% в течение оставшегося времени.	

АВТОМАТИЧЕСКИЙ РАЗОГРЕВ*

Печь позволяет разогревать продукты в соответствии с заданным пользователем весом.

Время разогрева и уровень мощности устанавливаются автоматически в зависимости от выбранной категории и веса продукта.

Вес продуктов для разогрева находится в диапазоне от 100 г до 800 г.

1. В режиме ожидания нажмите кнопку **АВТОМАТИЧЕСКИЙ РАЗОГРЕВ**.
2. Выберите вес продукта для разогрева при помощи **ПОВОРОТНОГО ПЕРЕКЛЮЧАТЕЛЯ**.
3. Нажмите кнопку **ЗАПУСК / БЫСТРЫЙ ЗАПУСК**.
4. После завершения цикла приготовления на дисплее появляется надпись «**End**» («Конец») и через каждые две минуты раздается звуковой сигнал, пока пользователь не нажмет кнопку или не откроет дверцу.

* - Только модели с грилем.

КУХОННЫЙ ТАЙМЕР

Печь оснащена кухонным таймером, который ведет обратный отсчет заданного времени.

1. В режиме ожидания нажмите кнопку **ВРЕМЯ/НАСТРОЙКА ЧАСОВ** один раз.
2. Поверните **ПОВОРОТНЫЙ ПЕРЕКЛЮЧАТЕЛЬ**, чтобы установить нужное время. Максимальное время составляет 95 минут.
3. Нажмите кнопку **ЗАПУСК / БЫСТРЫЙ ЗАПУСК** для подтверждения.
4. На дисплее будет отображаться обратный отсчет заданного времени.
5. Когда таймер на дисплее достигает нуля, раздается звуковой сигнал.

Кухонный таймер также можно использовать в режиме приготовления. Для этого выполните приведенные выше действия во время приготовления пищи. После активации кухонный таймер отобразится на дисплее на пять секунд, затем на нем снова появится таймер обратного отсчета времени приготовления. Чтобы снова посмотреть таймер, нажмите кнопку **ВРЕМЯ/НАСТРОЙКА ЧАСОВ** один раз. На дисплее на пять секунд отобразится таймер, а затем — вновь обратный отсчет.

- Чтобы сбросить программу **ТАЙМЕР**, нажмите кнопку **СТОП/ЭКО**, и на дисплее отобразится время.
- Если запущен процесс приготовления, кухонный таймер можно включить, выполнив описанные выше действия.

ФУНКЦИЯ ЭНЕРГОСБЕРЕЖЕНИЯ

Данная функция позволяет экономить энергию, когда печь не используется. Чтобы активировать эту функцию в режиме ожидания, нажмите кнопку **СТОП/ЭКО** и удерживайте ее в течение 3 секунд. Дисплей выключится, и перейдет в энергосберегающий режим.

Чтобы выйти из режима энергосбережения, нажмите кнопку или откройте и закройте дверцу печи.

ФУНКЦИЯ ВЫКЛЮЧЕНИЯ ЗВУКА

Функция выключения звука позволяет отключить любые звуки, которые выдает микроволновая печь. Чтобы выключить звук, нажмите кнопку **ЗАЩИТА ОТ ДЕТЕЙ** один раз, на дисплее на 5 секунд появится надпись «**OFF**» («ВЫКЛ»). Если звук выключен, нажатие на кнопки будет беззвучным.

Чтобы снова включить звук, нажмите кнопку **ЗАЩИТА ОТ ДЕТЕЙ** один раз, на дисплее на 5 секунд появится надпись «**ON**» («ВКЛ»). Это значит, что звук снова включен.

Если при отключении печи от сети питания звук выключен, при повторном подключении эта настройка сбрасывается.

ЗАЩИТНАЯ БЛОКИРОВКА

Это автоматическая функция, препятствующая использованию печи детьми без присмотра взрослых.

В режиме ожидания, если в течение одной минуты не производится никаких действий с печью, автоматически включается режим защитной блокировки и на дисплее появляется надпись «**Loc**» («Блокировка»).

В заблокированном состоянии все кнопки деактивируются. Нажмите любую кнопку, на дисплее на 5 секунд появляется индикатор замка, напоминающий пользователю о том, что включена защитная блокировка.

Чтобы выключить защитную блокировку, откройте и закройте дверцу микроволновой печи. Панель кнопок снова активируются, а индикатор замка погаснет.

ЗАЩИТА ОТ ДЕТЕЙ

Чтобы установить защиту от детей, нажмите и удерживайте кнопку **ЗАЩИТА ОТ ДЕТЕЙ** в течение 3 секунд.

Послышится длинный звуковой сигнал, а на дисплее отобразится надпись «**Loc**» («Блокировка»). Теперь печь находится в режиме «ЗАЩИТА ОТ ДЕТЕЙ». В этом режиме на дисплее отображаются часы, при нажатии любой из кнопок или открывании дверцы на дисплее на 5 секунд появляется надпись «**Loc**».

Чтобы снять ЗАЩИТУ ОТ ДЕТЕЙ, нажмите и удерживайте кнопку **ЗАЩИТА ОТ ДЕТЕЙ** в течение 3 секунд, пока не послышится длинный звуковой сигнал.

ОЧИСТКА И УХОД

- При очистке выключите печь и отключите шнур питания от сети.
- Следите за чистотой внутри печи. При попадании брызг или капель на стенки печи, ее верхнюю часть или основание протрите их влажной салфеткой. Если печь сильно загрязнена, можно использовать мягкие моющие средства. Избегайте использования спреев или других агрессивных моющих средств, поскольку они могут оставлять пятна, разводы или привести к потускнению поверхности дверцы.
- Внешнюю часть духовки следует протирать влажной салфеткой. Во избежание повреждения внутренних рабочих компонентов духовки не допускайте попадания влаги в вентиляционные отверстия.
- Регулярно протирайте обе стороны дверцы и окошко, уплотнители дверцы и смежные части влажной салфеткой для удаления потеков и брызг.
- Не используйте абразивные чистящие средства.
- Не используйте паровую очистку.
- Не допускайте попадания влаги на панель управления. Протирайте ее мягкой влажной салфеткой. При очистке панели управления оставьте дверцу печи открытой, чтобы исключить ее случайное включение.
- Если внутри или вокруг дверцы печи скапливается пар, протрите его мягкой салфеткой. Это может происходить при работе микроволновой печи в условиях высокой влажности и не является признаком неисправности.
- Для предотвращения загрязнения и потенциального искрения/повреждения поворотный стол, опору и муфту поворотного стола следует регулярно очищать. Просто протрите их мягким моющим средством.
- Чтобы устранить неприятные запахи из печи, соедините стакан воды с соком и кожурой одного лимона в микроволновой стойке в пригодной для использования в микроволновой печи миске. Запустите микроволновую обработку на 5 минут. Тщательно протрите и высушите мягкой салфеткой.
- В случае неисправности лампочки печи обратитесь за консультацией в сервисную службу.
- Печь следует регулярно чистить и удалять из нее остатки пищи. Печь нужно содержать в чистом состоянии, в противном случае существует риск повреждения поверхностей, что негативным образом отражается на сроке службы устройства и может стать причиной возникновения опасных ситуаций.
- Не выбрасывайте это устройство в обычный мусорный бак; следуйте действующим в вашей стране положениям относительно утилизации изделий данного типа.

ПОДХОДЯЩАЯ ЖАРОПРОЧНАЯ ПОСУДА

1. Идеальным материалом посуды для микроволновой печи является прозрачный материал, который пропускает микроволны, позволяя энергии проходить через емкость и нагревать пищу.
2. Микроволны не проникают через металл, поэтому не следует использовать металлическую посуду или изделия с металлическими деталями.
3. Не используйте изделия из переработанной бумаги при приготовлении в микроволновой печи, поскольку они могут содержать мелкие металлические фрагменты, которые могут вызвать искрение и/или возгорание.
4. Рекомендуется использовать круглую или овальную посуду, а не квадратную или прямоугольную, поскольку существует риск пережаривания продуктов по углам.
5. Для предотвращения пережаривания открытых участков можно использовать узкие полоски алюминиевой фольги. Но будьте осторожны, не используйте слишком много фольги и следите за тем, чтобы расстояние между фольгой и стенками рабочей камеры составляло не менее 2,54 см.

Приведенный ниже список является общим руководством, которое поможет вам выбрать правильную посуду.

Посуда	Микроволны Подходит	Гриль	Комментарий
Блюда для запекания	✓ / ✗	✗	Всегда придерживайтесь инструкций производителя. Не превышайте указанное время приготовления. Будьте осторожны, поскольку блюда сильно нагреваются.
Фарфор и керамика	✓ / ✗	✗	Как правило, фарфоровая, керамическая и глазурованная глиняная посуда, а также посуда из твердого английского фарфора, пригодна для применения, при условии, что она не декорирована металлическими элементами.
Термостойкое стекло	✓	✓	Необходимо убедиться в том, что стеклянная посуда подходит для использования в микроволновой печи.
Нетермостойкое стекло	✗	✗	
Термостойкая керамика	✓	✓	Убедитесь, что керамический материал не слишком толстый и не содержит слишком много минеральных веществ.
Пластмассовое блюдо для микроволновой печи	✓	✗	Обязательно убедитесь в том, что пластмассовая посуда подходит для использования в микроволновой печи
Кухонные салфетки	✓ / ✗	✗	Используйте только кухонные салфетки, пригодные для использования в микроволновых печах.
Стеклопосуда, например Pyrex®	✓ / ✗	✓	Будьте осторожны, используя тонкое стекло, поскольку в случае внезапного нагрева оно может треснуть или разбиться.
Металлический поднос	✗	✓	Металлическую посуду использовать не рекомендуется, поскольку существует вероятность возникновения искр, которые могут привести к возгоранию.
Металлическая решетка	✗	✓	Металлическую посуду использовать не рекомендуется, поскольку существует вероятность возникновения искр, которые могут привести к возгоранию.
Алюминиевая фольга Контейнеры из фольги	✓ / ✗	✓	Вы можете использоваться небольшие кусочки фольги для защиты продуктов от перегрева. Фольга должна быть расположена на расстоянии не менее 2,54 см от стенок печи, в противном случае возможно искрение. Контейнеры из фольги использовать не рекомендуется, если только иное не заявлено производителем, например Microfoil®, точно следуйте инструкциям.
Пищевая пленка	✓	✗	Не должна касаться пищи и требует прокалывания в нескольких местах для выхода пара.
Контейнеры из пластика/ пенопласта, например, для блюд быстрого приготовления	✓	✗	Будьте осторожны, поскольку под воздействием высоких температуры некоторые контейнеры могут деформироваться, расплавиться или потерять цвет.
Пакеты для замораживания/ запекания	✓	✗	Должны быть проколоты для выхода пара. Убедитесь в том, что пакеты подходят для использования в микроволновых печах.
Бумажные тарелки, чашки и кухонная бумага	✓	✗	Не используйте пластиковые или металлические зажимы, поскольку они могут расплавиться или привести к возгоранию вследствие "искрения" металла.
Соломенные и деревянные контейнеры	✓	✗	Используйте только для нагрева или впитывания влаги. Будьте осторожны, поскольку перегрев может привести к возгоранию.
Переработанная бумага или газеты	✗	✗	Не оставляйте печь без присмотра в процессе использования данных материалов, поскольку перегрев может привести к возгоранию. Могут содержать частицы металла, которые могут стать причиной возгорания вследствие "искрения".



ВНИМАНИЕ! В процессе приготовления пищи в пластиковых или бумажных контейнерах тщательно контролируйте работу печи, поскольку существует опасность возгорания.

ПРИМЕЧАНИЕ. Не оставляйте работающую печь без присмотра.

РЕКОМЕНДАЦИИ ПО ПРИГОТОВЛЕНИЮ В МИКРОВОЛНОВОЙ ПЕЧИ

В микроволновой печи продукты готовятся быстрее, чем на обычной плите. Поэтому для получения хорошего результата необходимо придерживаться определенных правил. Многие из них аналогичны правилам приготовления обычным способом.



ВНИМАНИЕ! Жидкости и продукты нельзя разогревать в запечатанных контейнерах или банках с крышками, поскольку вследствие роста давления внутри банка/контейнер может взорваться.

РЕКОМЕНДАЦИИ ПО ПРИГОТОВЛЕНИЮ:

- Не оставляйте работающую печь без присмотра.
- Убедитесь, что посуда подходит для использования в микроволновой печи.
- Используйте только предназначенный для приготовления в микроволновой печи попкорн в соответствующей упаковке (следуйте инструкциям производителя). Никогда не используйте масло, если только это не указано производителем, и никогда не превышайте рекомендованное время приготовления.



ВНИМАНИЕ! В случае превышения рекомендованного времени приготовления и установки слишком высокого уровня мощности существует риск перегрева или подгорания продуктов, а в крайних случаях — возгорания и повреждения печи.

Расположение

Размещайте самые толстые куски ближе к краю блюда, например, куриные бедра.

Продукты, расположенные ближе к внешнему краю блюда, получают больше энергии, а значит, готовятся быстрее, чем продукты, расположенные в центре.

Накрывание

Некоторые продукты лучше накрывать в процессе приготовления в микроволновой печи.

Воспользуйтесь вентилируемой пищевой пленкой или подходящей крышкой.

Прокальвание

Продукты в скорлупе, коже или оболочке необходимо перед разогревом или приготовлением проколоть в нескольких местах, поскольку вследствие образования внутри пара такие продукты могут лопнуть, например, картофель, рыба, курица, сосиски.

ПРИМЕЧАНИЕ. Яйца нельзя разогревать в микроволновой печи, поскольку они могут взорваться даже после приготовления, например, яйца-пашот, жареные яйца, вареные вкрутую яйца.

Перемешивание, переворачивание, изменение положения

Для равномерного приготовления необходимо перемешивать, переворачивать и перекладывать продукты в процессе приготовления. Всегда перемешивайте и перекладывайте продукты от внешнего края к центру.

Ожидание

После приготовления нужно дать блюду немного постоять для равномерного распределения тепла.

Свойства продуктов	
Состав	<p>Продукты с высоким содержанием жира или сахара (например, рождественский пудинг, пироги с мясной начинкой) требуют меньшего времени приготовления. Необходимо проявлять осторожность, поскольку перегрев может привести к возгоранию.</p> <p>Кости проводят тепло, вследствие чего блюдо готовится быстрее. Необходимо проявлять осторожность для равномерного приготовления.</p>
Плотность	<p>Необходимое время приготовления зависит от плотности продукта.</p> <p>Пористые блюда, например пироги или хлеб, готовятся быстрее, чем плотные продукты, например жаркое или запеканки.</p>
Количество	<p>Количество микроволн в вашей печи остается неизменным независимо от количества готовящейся пищи. При увеличении количества продуктов в печи необходимо соответствующим образом увеличить время приготовления.</p> <p>Например, для приготовления четырех картофелин нужно больше времени, нежели для двух.</p>
Размер	<p>Маленькие продукты и кусочки готовятся быстрее, чем большие, так как микроволны могут проникать внутрь со всех сторон. Для равномерного приготовления нарежьте продукт на куски одинакового размера.</p>
Форма	<p>Продукты неправильной формы, например куриные грудки или бедра, готовятся дольше в толстых частях. Для равномерного приготовления поместите самые толстые части на край блюда, где они будут получать больше энергии.</p> <p>Продукты круглой формы готовятся в микроволновой печи более равномерно, нежели квадратной.</p>
Температура пищи	<p>Время приготовления также зависит от изначальной температуры продуктов.</p> <p>Охлажденные продукты готовятся дольше, чем продукты комнатной температуры.</p> <p>Температура контейнера не является точным показателем температуры блюда или напитка. Для высвобождения тепла или пара разрежьте блюда с начинкой, например пончики с повидлом.</p>



ВНИМАНИЕ! Лицо и руки: Всегда используйте кухонные перчатки для извлечения пищи или посуды из печи. Открывая печь, отойдите назад, чтобы выпустить тепло или пар. Снимая покрытие (например, пищевую пленку) открывая рукава для запекания или упаковку попкорна, направляйте пар в сторону от лица и рук.



ВНИМАНИЕ! Проверяйте температуру пищи и напитков, перемешивайте их перед подачей. Будьте особенно осторожны при подаче блюд детям или пожилым людям. Во избежание ожогов перед употреблением перемешивайте содержимое детских бутылочек и баночек с детским питанием или взбалтывайте их, а также проверяйте его температуру.

СОВЕТЫ ПО РАЗМОРАЖИВАНИЮ

Использование микроволновой печи — самый быстрый способ разморозки. Это простая процедура, но для полного размораживания продуктов следует придерживаться приведенных ниже инструкций.

- Перед размораживанием снимите всю упаковку.
- Для размораживания используйте уровни мощности микроволновой печи от P-20 до P-40.
- См. приведенную ниже информацию.

Изменение положения

Пища, расположенная ближе к краям блюда, размораживается быстрее, чем пища в центре. Поэтому важно изменять положение продуктов до 4 раз в процессе размораживания.

Перемещайте плотно уложенные куски с края в центр и меняйте положение кусков, которые накладываются друг на друга.

Благодаря этому все части будут разморожены равномерно.

Разделение

При извлечении из морозильника продукты могут склеиваться. Во время размораживания важно как можно скорее разделить продукты.

Например, грудинка, куриное филе.

Накрывание

Некоторые участки размораживаемых продуктов могут нагреваться. Во избежание их дальнейшего нагревания и приготовления эти участки можно защитить маленькими кусочками фольги, которые отражают микроволны, например, куриные ножки и крылья.

Ожидание

Для полного размораживания после завершения процедуры нужно дать продуктам еще немного постоять.

После извлечения из микроволновой печи продукты еще не полностью разморожены. Для полного размораживания оставьте продукты на некоторое время, накрыв их.

Переворачивание

В процессе размораживания необходимо до 4 раз перевернуть продукты.

Это важно для полного размораживания.

СОВЕТЫ ПО РАЗОГРЕВУ

Для надлежащего разогрева пищи перед подачей следуйте приведенным ниже советам и указаниям.

Блюда на тарелках

Уберите куски птицы или мяса, разогревайте их отдельно. См. ниже.

Разместите меньшие куски в центре тарелки, а более крупные и толстые — по краям. Накройте вентилируемой пищевой пленкой для микроволновой печи и разогрейте на уровне мощности P-50. По истечении половины времени разогрева перемешайте/переместите.

ПРИМЕЧАНИЕ. Перед подачей убедитесь в том, что блюдо полностью разогрето.

Нарезанное мясо

Накройте мясо вентилируемой пищевой пленкой и разогрейте на уровне мощности P-60. Для равномерного разогрева по меньшей мере один раз измените расположение продуктов.

ПРИМЕЧАНИЕ. Перед подачей убедитесь в том, что мясо полностью разогрето.

Порционная птица

Разместите более толстые части по краям блюда, накройте вентилируемой пищевой пленкой и разогрейте на уровне мощности P-70.

По истечении половины времени приготовления переверните.

ПРИМЕЧАНИЕ. Перед подачей убедитесь в том, что мясо птицы полностью разогрето.

Запеканки

Накройте вентилируемой пищевой пленкой или подходящей крышкой и разогрейте на уровне мощности P-50. Тщательно перемешайте для равномерного разогрева.

ПРИМЕЧАНИЕ. Перед подачей убедитесь в том, что блюдо полностью разогрето.

Для получения наилучших результатов разогрева выберите подходящий уровень мощности в зависимости от типа продуктов. Например, овощи в миске можно разогревать на уровне P-100, тогда как для лазаньи, содержащей ингредиенты, которые нельзя перемешать, следует выбрать уровень P-40.

ПРИМЕЧАНИЯ:

- Перед разогревом выньте продукты из фольги или металлического контейнера.
- Время разогрева зависит от формы, плотности, количества и температуры продуктов, а также от размера, формы и материала контейнера.



ВНИМАНИЕ! Никогда не разогревайте жидкости в контейнерах с узким горлышком, поскольку это может привести к извержению содержимого из контейнера и ожогам.

- Во избежание перегрева и возгорания будьте особенно осторожны в процессе разогревания продуктов с высоким содержанием сахара или жира, например пирогов с начинкой или рождественского пудинга.
- Никогда не нагревайте масло или жир для глубокого прожаривания, поскольку это может привести к перегреву и возгоранию.
- Не разогревайте в микроволновой печи консервированный картофель, следуйте приведенным на банке инструкциям производителя.



ВНИМАНИЕ! Во избежание ожогов перед употреблением перемешивайте содержимое детских бутылочек и баночек с детским питанием или взбалтывайте их, а также проверяйте его температуру.

ПОИСК И УСТРАНЕНИЕ НЕИСПРАВНОСТЕЙ

Если вам кажется, что печь работает неправильно, выполните ряд простых проверок, прежде чем звонить специалисту по техническому обслуживанию.

Следуйте указаниям ниже:

Поставьте полчашки воды на поворотный стол и закройте дверь. Установите таймер на 1 минуту и выберите уровень мощности P-100.

1. Включилась ли лампочка печи в процессе приготовления?
2. Работает ли охлаждающий вентилятор? (Для проверки подержите руку над вентиляционными отверстиями).
3. Раздался ли звуковой сигнал по истечении 1 минуты?
4. Нагрелась ли вода в чашке?

Если вы ответили «НЕТ» хотя бы на один вопрос, первым делом убедитесь в том, что печь правильно подключена и что не перегорел ли предохранитель. Если причина не в этом, ознакомьтесь с таблицей поиска и устранения неисправностей ниже.



ВНИМАНИЕ! Не регулируйте, не ремонтируйте и не модифицируйте печь самостоятельно.

Работы по обслуживанию и ремонту, требующие демонтажа внешнего корпуса, который обеспечивает защиту от воздействия микроволновой энергии, должен выполнять только квалифицированный специалист SHARP.

- Уплотнитель дверцы препятствует утечке микроволновой энергии в процессе эксплуатации печи, но не является герметичным. Капли воды, свет или теплый воздух вокруг дверцы печи являются нормальным явлением. При приготовлении продуктов с высоким содержанием влаги образуется пар, вследствие чего на внутренней стороне дверцы возникает конденсат, который может выходить из печи в виде капель.
- Ремонт и модификации: не используйте печь, если она работает с нарушениями.
- Внешний корпус и доступ к лампочке: ни в коем случае не снимайте внешний корпус. Это очень опасно, поскольку внутренние компоненты находятся под высоким напряжением и прикосновение к ним может привести к смертельному исходу.
Ваша печь не оснащена крышкой для доступа к лампочке. В случае неисправности лампочки не пытайтесь заменить ее самостоятельно, обратитесь в авторизованную сервисную службу SHARP.

ТАБЛИЦА ПОИСКА И УСТРАНЕНИЯ НЕИСПРАВНОСТЕЙ

ВОПРОС	ОТВЕТ
Вокруг дверцы чувствуется сквозняк.	Когда печь работает, в рабочей камере циркулирует воздух. Дверца не оснащена герметичным уплотнителем, поэтому воздух может выходить наружу.
В печи образуется конденсат, который может капать из дверцы.	Обычно температура рабочей камеры ниже температуры продуктов, которые вы готовите, поэтому возникающий в процессе приготовления пар осаживается на более холодных поверхностях в виде конденсата. Количество производимого пара зависит от содержания влаги в блюде. Некоторые продукты, например картофель, имеют высокое содержание влаги. Конденсат, скопившийся на стекле дверцы должен испариться, через несколько часов.
Мерцание или искрение в рабочей камере в процессе приготовления.	Искрение возникает, если в процессе приготовления металлические объекты находятся слишком близко к стенкам рабочей камеры. Вследствие этого поверхность рабочей камеры может стать шероховатой, но это не приведет к другим повреждениям печи.
Искрение картофеля.	Удалите из картофеля все «глазки» и проколите кожуру. Положите картофель прямо на поворотный стол в термостойком блюде или подобной емкости.
При использовании печи в режиме гриля вы можете заметить, что нагревательный элемент включен не все время.	Это связано с тем, что нагревательный элемент гриля включается и выключается для поддержания заданной температуры в печи.
При использовании гриля в комбинированном режиме не видно, что он включен.	При использовании комбинированного режима (микроволны и гриль) печь переключается между двумя функциями. Функции микроволновой обработки и гриля не включаются одновременно.
Печь не работает при нажатии кнопки ЗАПУСК/БЫСТРЫЙ ЗАПУСК.	Убедитесь в том, что дверца полностью закрыта.
Печь готовит слишком медленно.	Убедитесь в том, что выбран правильный уровень мощности.
Печь шумит.	При включении и выключении подачи микроволновой энергии может быть слышно жужжание, это нормально.
После завершения приготовления печь шумит, и кажется, что она продолжает работать.	По завершении цикла приготовления вентилятор может продолжать работать в течение нескольких минут, чтобы охладить печь. Это нормально.
Внешний корпус нагревается.	Корпус может нагреваться — следите, чтобы дети не приближались к печи.
При нажатии кнопки на дисплее появляется надпись «LoC».	Через 30 секунд печь перейдет в режим блокировки, вследствие чего ни одна из кнопок не будет работать. Откройте и закройте дверцу, чтобы кнопки снова заработали. Убедитесь в том, что устройство не находится в режиме блокировки.
На дисплее появляется надпись «Fail» («Ошибка»), и каждую минуту слышен звуковой сигнал.	Это происходит, если нажать и удерживать кнопки на панели управления в течение более чем 1 минуты. Отключите печь от сети питания на несколько минут, а затем снова включите.
Печь выдает звуковой сигнал каждые 30 секунд.	Если по завершении приготовления не открыть дверцу, через каждые 30 секунд будет срабатывать звуковой сигнал. Чтобы выключить его, откройте и закройте дверцу.

ПРЕЖДЕ ЧЕМ ЗВОНИТЬ В СЛУЖБУ ПОДДЕРЖКИ

Прежде чем обращаться в службу поддержки, проверьте следующее:

- Убедитесь в том, что печь правильно подключена к сети питания. Если нет, отключите вилку от розетки, подождите 10 секунд и снова подключите ее.
- Проверьте, не перегорел ли предохранитель сети и не сработал ли главный автоматический выключатель. Если они в порядке, подключите к розетке другое устройство, чтобы проверить ее.
- Убедитесь, что ручки регулировки мощности и таймера правильно установлены.
- Убедитесь, что дверца надежно закрыта и сработала защитная блокировка дверцы. В противном случае подача микроволновой энергии в печь не будет осуществляться.

ЕСЛИ НИ ОДИН ИЗ ПРИВЕДЕННЫХ ВЫШЕ ПУНКТОВ НЕ ПОМОГ РЕШИТЬ ПРОБЛЕМУ, ОБРАТИТЕСЬ К КВАЛИФИЦИРОВАННОМУ СПЕЦИАЛИСТУ ПО ТЕХНИЧЕСКОМУ ОБСЛУЖИВАНИЮ. НЕ ПЫТАЙТЕСЬ РЕГУЛИРОВАТЬ ИЛИ РЕМОНТИРОВАТЬ ПЕЧЬ САМОСТОЯТЕЛЬНО.



Upozornenie:

Váš produkt je označený týmto symbolom.

Znamená, že použité elektrické a elektronické zariadenia sa nemôžu vhadzovať do domového odpadu. Musia sa vrátiť v súlade so systémom oddeleného zberu.



www.sharpconsumer.com/contact/



www.sharpconsumer.com/support/



www.sharpconsumer.com/documents-of-conformity/

A. Informácie o likvidácii pre používateľov (súkromné domácnosti)

1. V Európskej únii

Upozornenie: Pri likvidácii nevhadzujte toto zariadenie do bežného domového odpadu!

Použité elektrické a elektronické zariadenia sa musia zbierať oddelene a v súlade s legislatívou, ktorá nariaďuje správne zaobchádzanie, opätovné využitie a recykláciu použitých elektrických a elektronických zariadení.

Po zavedení smernice v členských štátoch EÚ môžu súkromné domácnosti vracať svoje použité elektrické a elektronické zariadenia zadarmo v zberných miestach na to určených*.

V niektorých krajinách* môžete staré spotrebiče zdarma vrátiť aj u predajcu, keď si kúpite porovnateľné nové zariadenie.

*) O ďalších podrobnostiach sa informujte na vašom obecnom úrade.

Ak vaše použité elektrické a elektronické zariadenia obsahujú batérie alebo akumulátory, mali by byť vopred vybraté a likvidované oddelene podľa miestne platných nariadení. Riadnou likvidáciou prispějete k náležitému zberu, spracovaniu, opätovnému využitiu a recyklácii odpadových zariadení. Zabraňuje sa tak možným škodlivým vplyvom na životné prostredie a zdravie v dôsledku nevhodnej likvidácie.

2. V iných krajinách mimo EÚ

Ak chcete tento výrobok zlikvidovať, informujte sa prosím u vašej obecnej správy na správny postup pri likvidácii tohto zariadenia.

Pre Švajčiarsko: použité elektrické a elektronické zariadenia môžete zadarmo vrátiť obchodníkovi, i keď nekupujete nový produkt.

Zoznam ďalších zberných miest nájdete na internetových stránkach www.swico.ch alebo www.sens.ch.

B. Informácie o likvidácii pre podnikateľov

1. V Európskej únii

Ak ste tento produkt používali na podnikateľské účely a teraz ho chcete zlikvidovať:

Obráťte sa na svojho predajcu produktov SHARP, ktorý vás informuje o vrátení produktu. Možno budete musieť niesť náklady za vrátenie a recykláciu. Malé produkty (v malom množstve) môžu byť možno odovzdané vo vašom miestnom zbernom mieste.

Pre Španielsko: ohľadom vrátenia vašich použitých výrobkov sa informujte na zavedený systém zberu u svojej obecnej správy.

2. V iných krajinách mimo EÚ

Ak chcete tento výrobok zlikvidovať, informujte sa prosím u vašej obecnej správy na správny postup pri likvidácii tohto zariadenia.

BEZPEČNOSTNÉ OPATRENIA NA ZABRÁNENIE MOŽNÉMU VYSTAVENIU MIKROVLNNEJ ENERGII

1. Nepokúšajte sa používať túto rúru s otvorenými dvierkami, pretože by to mohlo spôsobiť škodlivé vystavenie mikrovlnnej energii. Je dôležité neporušovať alebo nemanipulovať s bezpečnostnými blokovaniami.
2. Nevkladajte nič medzi prednú časť rúry a dvierka, ani nedovoľte, aby sa na tesniacich povrchoch hromadili nečistoty alebo zvyšky čistiaceho prostriedku.
3. Rúru nepoužívajte, ak je poškodená. Je veľmi dôležité, aby sa dvierka rúry správne zatvárali a aby nedošlo k poškodeniu dvierok, pántov, západiek alebo tesnení dvierok a tesniacich plôch.
4. Nepokúšajte sa rúru opravovať alebo nastavovať.

OBSAH

DÔLEŽITÉ BEZPEČNOSTNÉ POKYNY	3
INŠTALÁCIA	11
RÁDIOVÉ RUŠENIE	12
POKYNY NA UZEMNENIE	12
TECHNICKÉ ÚDAJE	12
RÚRA A PRÍSLUŠENSTVO	13
OVLÁDACÍ PANEL	14
PRED POUŽITÍM RÚRY	15
NASTAVENIE HODÍN	15
VARENIE S MIKROVLNNOU RÚROU	16
RÝCHLY ŠTART	17
VARENIE S GRILOM*	17
MIKROVLNÝ+GRIL*	18
AUTOMATICKÉ MENU	19
AUTOMATICKÉ ROZMRAZENIE	22
AUTOMATICKÉ OPĀTOVNÉ OHRIATIE*	22
KUCHYNSKÝ ČASOVAČ	23
FUNKCIA ÚSPORY ENERGIE	23
FUNKCIA STLMENIA ZVUKU	24
BEZPEČNOSTNÝ ZÁMOK	24
DETSKÝ ZÁMOK	24
ČISTENIE A STAROSTLIVOSŤ	25
VHODNÝ RIAD	26
RADY OHĽADOM VARENIA V MIKROVLNNEJ RÚRE	27
RADY OHĽADOM ROZMRAZOVANIA	29
RADY OHĽADOM OPĀTOVNÉHO OHREVV	30
RIEŠENIE PROBLÉMOV	31
PRED ZAVOLANÍM NA LINKU POMOCI	33

* - Iba pre modely s grilom.

DÔLEŽITÉ BEZPEČNOSTNÉ POKYNY

POZORNE SI ICH PREČÍTAJTE A USCHOVAJTE SI ICH

Na vyvarovanie sa požiaru. Mikrovlnná rúra by nemala byť počas prevádzky ponechaná bez dohľadu. Príliš vysoké stupne výkonu alebo príliš dlhá doba úpravy môžu zapríčiniť prehriatie potravín a požiar.

Táto mikrovlnná rúra je navrhnutá len na použitie na pracovnej doske kuchynskej linky. Nie je určená na zabudovanie do kuchynskej linky. Mikrovlnnú rúru neumiestňujte do skrinky. Zásuvka musí byť neustále prístupná, aby mohla byť sieťová zástrčka v prípade núdze ľahko vytiahnutá.

Sieťové napätie musí byť 230 – 240 V striedavého prúdu s frekvenciou 50 Hz a malo by byť vybavené poistkou s nominálnou hodnotou aspoň 10 A alebo ističom s nominálnou hodnotou aspoň 10 A. Mal by byť naplánovaný samostatný elektrický obvod slúžiaci len na prevádzku tohto zariadenia

Rúru neinštalujte na miestach, kde sa vytvára teplo, napr. v blízkosti klasického sporáka. Rúru neinštalujte na miestach, kde je vysoká vlhkosť vzduchu alebo kde sa môže tvoriť kondenzácia. Rúru neskladujte ani neinštalujte vonku.

Ak spozorujete dym, je nutné vypnúť zariadenie alebo vytiahnuť sieťovú zástrčku a ponechať zatvorené dvierka, aby sa uhasili prípadné plamene.

Používajte len nádoby a riady vhodné na použitie v mikrovlnnej rúre. Je potrebné skontrolovať, či je použitý kuchynský riad vhodný pre mikrovlnné rúry.

Keď pri ohreve potravín používate plastové alebo papierové nádoby, nenechávajte rúru nikdy bez dozoru. Mohlo by dôjsť k vznieteniu.

Vyčistite ochranu proti postriekaniu vlnovodu a vnútorný priestor. Tieto diely by mali byť suché a zbavené mastnoty.

Usadené kvapky tuku by sa mohli prehriať, začať dymiť alebo sa vznietiť.

V blízkosti rúry a pri jej vetracích otvoroch neuchovávajte žiadne horľavé materiály.

Vetracie otvory nikdy neprekrývajte.

Z potravín a balení odstráňte všetky kovové uzávery, drôtky a pod.. Iskrenie na kovových častiach môže viesť k požiaru.

Mikrovlnnú rúru nepoužívajte na ohrev oleja na fritovanie. Teploty nemôžu byť sledované a tuk by sa mohol vznietiť.

Na výrobu pukancov by sa mal v mikrovlnných rúrach používať len špeciálne balené pukance.

V rúre neuchovávajte žiadne potraviny ani iné predmety.

Po spustení rúry skontrolujte nastavenia a uistite sa, že zariadenie pracuje tak, ako si želáte.

Nenechávajte rúru bez dozoru, kým je v prevádzke.

Nenechávajte rúru bez dozoru, kým je v prevádzke.

Aby ste sa vyvarovali prehriatiu a požiaru, mali by ste postupovať veľmi obozretne najmä vtedy, keď sa varia alebo ohrievajú potraviny s obzvlášť vysokým obsahom cukru alebo tuku, napr. párky, koláče alebo vianočné pečivo. Pozrite si príslušné rady v návode na používanie.

Na vyvarovanie sa zranení. VÝSTRAHA:

Zariadenie neprevádzkujte, ak je poškodené alebo ak nefunguje správne. Pred prevádzkou skontrolujte nasledujúce body:

- a)** Dvierka sa musia dokonale zatvárať, musia byť presne vyrovnané a nesmú byť zdeformované.
- b)** Skontrolujte, či závesy a bezpečnostné západky dverí nie sú zlomené alebo uvoľnené.
- c)** Skontrolujte, či tesnenie dvierok a tesniace plochy nie sú poškodené.

- d) Uistite sa, že vo vnútornom priestore a na dvierkach nie sú žiadne deformácie (napr. jamky).
- e) Uistite sa, že sieťový kábel a sieťová zástrčka nie sú poškodené.

Ak sú dvierka alebo tesnenie dvierok poškodené, nesmiete rúru prevádzkovať, kým ju neopraví kompetentná osoba.

Za žiadnych okolností nevykonávajte opravy ani zmeny mikrovlnnej rúry sami. Opravy, najmä také, pri ktorých sa musí odstrániť kryt zariadenia, smú vykonávať výhradne technici s príslušnou kvalifikáciou.

Rúru neprevádzkujte, ak sú otvorené dvierka alebo ak je akýmkoľvek spôsobom zmenené bezpečnostné blokovanie dvierok. Rúru nikdy neprevádzkujte, keď sa medzi tesnením dvierok a tesniacimi plochami nachádzajú nejaké predmety.

Vyvarujte sa nahromadeniu tuku a nečistôt na tesnení dvierok a susedných dieloch. Čistite mikrovlnnú rúru v pravidelných intervaloch a odstraňujte všetky zvyšky jedál.

Dodržujte pokyny v kapitole „Čistenie a údržba“. Udržujte zariadenie čisté, inak by sa mohli povrchy poškodiť. Mohla by tým byť negatívne ovplyvnená doba použiteľnosti zariadenia a mohlo by dôjsť k nebezpečným situáciám.

Osoby s KARDIOSTIMULÁTORMI by sa mali informovať na bezpečnostné opatrenia pri zaobchádzaní s mikrovlnnými rúrami u svojho lekára alebo výrobcu kardiostimulátorov.

Na vyvarovanie sa úrazu elektrickým prúdom

- Za žiadnych okolností by sa nemal odstraňovať vonkajší kryt.
- Nikdy nenechajte natiect' tekutiny do otvorov bezpečnostného blokovania dvierok alebo vetracích otvorov. Keď dôjde k vyliatiu tekutín, musíte rúru ihneď vypnúť, vytiahnuť sieťovú zástrčku a vyžiadať si zákaznícky servis SHARP.

-
- Nikdy nekladte sieťový kábel alebo sieťovú zástrčku do vody alebo iných tekutín.
 - Sieťový kábel nesmie byť vedený cez ostré hrany stola alebo pracovnej dosky.
 - Udržujte sieťový kábel mimo dosah zahriatych plôch vrátane zadnej strany rúry.
 - Udržujte zariadenie a jeho kábel mimo dosahu detí do 8 rokov.
 - V žiadnom prípade neskúšajte sami vymeniť žiarovku v rúre, nechajte ju vždy vymeniť autorizovaným elektrikárom produktov SHARP. Ak by žiarovka v rúre prestala svietiť, obráťte sa na predajcu elektrospotrebičov alebo autorizovaný zákaznícky servis SHARP.
 - Ak je napájací kábel poškodený, musí ho vymeniť autorizovaný servisný technik spoločnosti SHARP.

VÝSTRAHA: Pokrmy v tekutej ani inej podobe sa nesmú ohrievať v uzavretých nádobách, pretože by mohli vybuchnúť. Ohrievanie nápojov mikrovlnami môže zapríčiniť oneskorené vzkypenie; preto si zaobchádzanie s nádobami preto vyžaduje zvláštnu opatrnosť Aby sa predišlo možnosti výbuchu a náhlemu vzkypeniu:

nepoužívajte uzatvorené nádoby. Pred ich použitím odstráňte z nich tesnenia a veká. Uzatvorené nádoby môžu vybuchnúť v dôsledku nahromadeného tlaku aj po vypnutí rúry. Pri ohrievaní nápojov mikrovlnami dávajte pozor. Používajte nádobu so širokým hrdlom, aby mohli bubliny unikať.

Nikdy neohrievajte tekutiny v úzkych, vysokých nádobách (napr. detských fľašiach), pretože by obsah mohol vystreknúť a spôsobiť popáleniny.

Aby ste sa vyvarovali popálenín v dôsledku náhleho vykypenia (tzv. utajeného varu):

1. Nenastavujte žiadne extrémne dlhé časy.

2. Tekutiny pred varením/ohrievaním zamiešajte.
3. Počas ohrievania sa do nádoby odporúča vložiť sklenenú tyčinku alebo podobný predmet (nekovový).
4. Po ohreve ponechajte tekutiny ešte aspoň 20 sekúnd stáť v zariadení, aby ste sa vyvarovali oneskorenému vzkypeniu.

Nevarte vajcia v škrupine. Celé vajcia natvrdo sa v mikrovlnných rúrach nesmú ohrievať, pretože môžu vybuchnúť, dokonca aj keď sú už uvarené. Pred varením alebo ohrievaním vajec, ktoré neboli ušľahané alebo zamiešané, žĺtky a bielky poprepichujte, aby nevybuchli. Z uvarených vajec pred ohrevom v mikrovlnnej rúre odstráňte škrupinu a nakrájajte ich na plátky.

Pred tepelnou úpravou potravín so šupkou, napr. zemiakov, párkov alebo ovocia, ich poprepichujte, aby mohla unikáť para.

VÝSTRAHA: Obsah fliaš pre kojencov a nádob s detskou výživou sa musí pred použitím zamiešať, príp. pretrepať, aby ste sa vyvarovali popálenín. Pri vyberaní upravovaných potravín z vnútorného priestoru by ste mali používať chňapky alebo rukavice odolné voči teplu. Aby sa zabránilo popáleniu:

- nádoby, vrecúška s pukancami, varné vrecúška a pod. otvárajte vždy ďalej od rúk a tváre, aby ste sa vyvarovali popálenín parou alebo utajeným varom. Aby ste sa vyvarovali popáleninám, vždy skontrolujte teplotu potraviny a pred podávaním zamiešajte. Zvláštnu opatrnosť vyžaduje podávanie pokrmov alebo nápojov malým deťom, deťom alebo starším osobám. Niektoré časti sa počas používania môžu zahrievať. Udržujte z dosahu detí.
- Teplota nádoby nie je tým pravým ukazovateľom teploty potraviny alebo nápoja; teplotu vždy skontrolujte.
- Pri otváraní dvierok zariadenia udržiavajte dostatočný odstup, aby ste sa vyvarovali popálenín vplyvom vystupujúcej pary alebo tepla.

-
- Nakrájajte plnené pokrmy po tepelnej úprave na plátky, aby mohla unikať para a aby sa zabránilo popáleninám.
 - Udržujte zariadenie z dosahu detí, aby sa nemohli popáliť.

VÝSTRAHA: Deti smú zariadenie používať bez dohľadu až od 8 rokov a keď dostali dostatočné pokyny na bezpečné použitie, a keď rozumejú nebezpečenstvám vznikajúcim v dôsledku nesprávneho použitia.

Keď sa zariadenie používa v režime GRIL, KOMBINOVANÉ VARENIE S GRILOM, KOMBINOVANÉ KONVEKČNÉ VARANIE A v AUTOMATICKOM REŽIME, deti môžu rúru používať kvôli vytváranej teplote len pod dohľadom dospelých.

Tento prístroj nie je určený na použitie osobami (vrátane detí) so zníženými fyzickými, zmyslovými alebo mentálnymi schopnosťami, alebo nedostatkom skúseností a znalostí, pokiaľ na nich nedohliada osoba zodpovedná za ich bezpečnosť, alebo ak im táto osoba nedala pokyny ohľadom používania.

Na deti je potreba dohliadať, aby sa zaručilo, že sa so zariadením nebudú hrať. Deti môžu rúru čistiť iba pod dohľadom.

Modely s elektronickou dotykovou obrazovkou sú vybavené režimom detského zámku.

Neopierajte sa o dvierka zariadenia ani sa za ne nevešajte. nehrajte sa s rúrou, ani ju nepoužívajte ako hračku.

Deti by mali byť oboznámené so všetkými dôležitými bezpečnostnými pokynmi: napr. používanie chňapiek a opatrné snímanie prikrývok jedál. Dávajte pozor najmä na obaly, ktoré zaistujú chrumkavosť potravín (napr. špeciálne materiály na zhnednutie pokrmu), pretože sa veľmi zahrievajú.

Iné upozornenia

Nikdy zariadenie žiadnym spôsobom neupravujte.

Nepohybujte zariadením počas prevádzky.

Táto rúra je určená na použitie len v domácnostiach a smie sa používať len na úpravu potravín a nápojov. Sušenie potravín alebo oblečenia a ohrev oteplovacích vankúšov, papúč, špongií, vlhkej handričky a podobne môže viesť k riziku zranenia, vznietenia alebo požiaru. Nie je vhodná na komerčné účely ani na používanie v laboratóriu.

Na zaručenie bezproblémového fungovania a zabráneniu poškodenia rúry

Nikdy neuvádzajte do prevádzky prázdnu rúru. Pri používaní špeciálneho riadu na zhnednutie alebo samoohrievacích materiálov musí byť medzi tento riad a otočný tanier umiestnená teplovzdorná izolácia (napr. porcelánový tanier). Tým sa zabráni poškodeniu základne rúry. Nemala by sa prekročiť uvedená doba ohrevu pre riad.

Nepoužívajte kovový riad, pretože sa potom odrážajú mikrovlny a dochádza k iskreniu. Do rúry nedávajte žiadne konzervy.

Aby ste zabránili rozbitiu otočného taniera alebo základne rúry:

- a) rúru pred čistením vodou nechajte vychladnúť.
- b) na studený otočný tanier/základňu rúry nedávajte horúce pokrmy ani horúci riad.
- c) Na vonkajšok zariadenia počas jeho prevádzky nič nepokladajte.

POZNÁMKA:

Nepoužívajte umelohmotné nádoby na mikrovlnné varenie, ak je rúra ešte stále horúca z používania kombinovaného varenia s grilom (závisí od modelu rúry), pretože by sa mohli roztaviť.

Pri vyššie uvedených režimoch nesmiete používať umelohmotné nádoby, pokiaľ výrobca nádoby neuvádza, že je na také účely vhodná.

Ak máte otázky k pripojeniu zariadenia, obráťte sa na autorizovaného elektrikára.

Ani výrobca ani predajca nemôžu prevziať žiadnu zodpovednosť za poškodenia zariadenia alebo zranenia osôb, ktoré vzniknú v dôsledku nesprávneho elektrického pripojenia.

Na stenách vo vnútornom priestore, príp. okolo tesnenia dvierok a tesniacich plôch sa môže tvoriť vodná para a kvapky. To je normálne a nie je to žiadnym príznakom výstupu mikrovln alebo inej chybnéj funkcie.

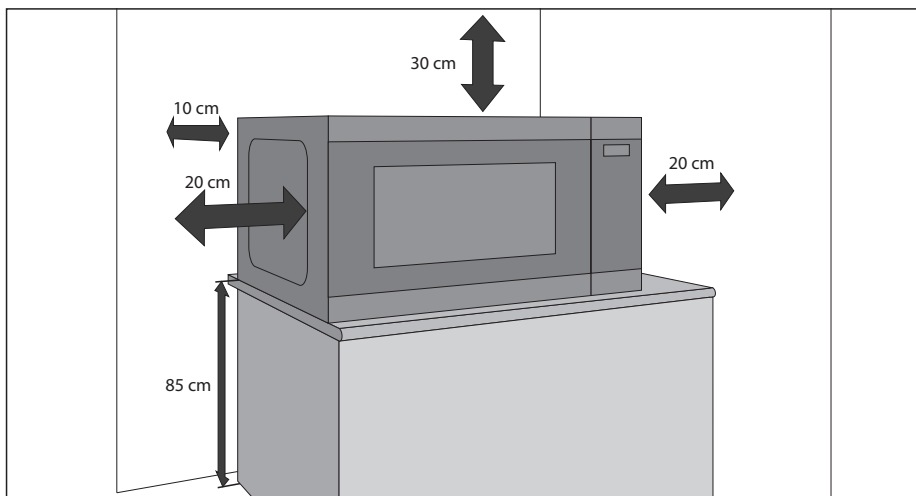
Tento spotrebič je určený na použitie v domácnosti a podobných aplikáciách, ako napríklad kuchynské priestory vyhradené pre pracovníkov v obchodoch, kanceláriách a iných profesionálnych prostrediach/na farmách/používanie klientmi v hoteloch, motelloch a iných typoch ubytovacích prostredí/prostredí lôžkového a raňajkového typu.



Tento symbol znamená, že sa povrchy môžu počas používania zahrievať.

INŠTALÁCIA

1. Z vnútorného priestoru rúry vyberte všetky obalové materiály a odstráňte všetky ochranné fólie nachádzajúce sa na povrchu kabinetu mikrovlnnej rúry.
2. Pozorne skontrolujte rúru, či nemá známky poškodenia.
3. Mikrovlnnú rúru nainštalujte na bezpečnú rovnú plochu, ktorá je dostatočne pevná, aby uniesla hmotnosť zariadenia vrátane pripravovaných potravín. Mikrovlnnú rúru neumiestňujte do skrinky.
4. Vyberte rovnú plochu, ktorá poskytuje dostatok otvoreného priestoru pre prívod vzduchu a/alebo odvod vzduchu. Pozrite si obrázok na prvej strane. Zadný povrch zariadenia musí byť umiestnený proti stene.
 - Minimálna inštalačná výška je 85 cm.
 - Medzi bokmi mikrovlnnej rúry a ľubovoľnou susednou stenou alebo predmetom je potrebný minimálny priestor 20 cm.
 - Nad rúrou nechajte priestor aspoň 30 cm.
 - Zo spodnej časti rúry neodstraňujte nožičky.
 - Zablokovaním otvorov prívodu a/alebo odvodu vzduchu môžete poškodiť rúru.
 - Umiestnite rúru čo najďalej od rádii a televízorov. Prevádzka mikrovlnnej rúry môže spôsobiť rušenie rádiového alebo televízneho príjmu.



5. Zasuňte sieťovú zástrčku mikrovlnnej rúry do štandardnej, uzemnenej zásuvky.

VÝSTRAHA:

Nedávajte rúru na miesta, kde sa tvorí teplo alebo vlhkosť (napríklad do blízkosti alebo nad klasickou rúrou) alebo do blízkosti horľavých materiálov (napríklad záclon).

Neblokujte vzduchové ventilačné otvory.

Na rúru nič neumiestňujte.

Počas prevádzky alebo krátko po nej sa nedotýkajte vonkajšej strany mikrovlnnej rúry, pretože bude horúca.

RÁDIOVÉ RUŠENIE

Prevádzka mikrovlnnej rúry môže spôsobiť rušenie rádia, televízora alebo podobného zariadenia. Ak dôjde k rušeniu, môže sa znížiť alebo eliminovať vykonaním nasledujúcich opatrení:

1. Vyčistíte dvere a vnútorný priestor v mieste ich styku.
2. Zmlňte smer prijímacej antény rádia alebo televízora.
3. Premiestnite mikrovlnnú rúru vzhľadom na prijímač.
4. Zapojte mikrovlnnú rúru do inej zásuvky, aby bola mikrovlnná rúra a prijímač v rôznych obvodoch.

POKYNY NA UZEMNENIE

Tento spotrebič musí byť uzemnený. Táto rúra je vybavená káblom s uzemňovacím vodičom a uzemňovacou zástrčkou. Musí byť zapojená do zásuvky v stene, ktorá je správne nainštalovaná a uzemnená. V prípade elektrického skratu uzemnenie znižuje riziko úrazu elektrickým prúdom tým, že poskytuje únikový vodič pre elektrický prúd. Odporúča sa zabezpečiť samostatný obvod slúžiaci len pre rúru.



VÝSTRAHA: Nesprávne použitie uzemňovacej zástrčky môže mať za následok riziko úrazu elektrickým prúdom.

POZNÁMKA:

1. Ak máte akékoľvek otázky týkajúce sa uzemnenia alebo elektrických pokynov, obráťte sa na kvalifikovaného elektrikára alebo servisného pracovníka.
2. Ani výrobca ani predajca nemôžu prevziať žiadnu zodpovednosť za poškodenia zariadenia alebo zranenia osôb, ktoré vzniknú v dôsledku nesprávneho elektrického pripojenia.

Sieťový kábel používaný vo vašej mikrovlnnej rúre používa tieto farebne označené vodiče:

Zelená a žltá = ZEM

Modrá = NULOVÝ VODIČ

Hnedá = ŽIVÝ VODIČ

TECHNICKÉ ÚDAJE

Názov modelu:	YC-PS204A	YC-PS234A	YC-PS254A	YC-PG204A	YC-PG234A	YC-PG254A	YC-PG284A
Sieťové napätie	230 až 240 V, 50 Hz, jednofázový prúd						
Poistka/istič	10 A						
Výkon:	Mikrovlnný	700 W	900 W	900 W	700 W	900 W	900 W
	Poznámky				900 W	1000 W	1000 W
	Režim Vyp.	<0,5 W					
	Režim šetrenia energie	>0,5 W					
	Prikon	1200 W	1400 W	1400 W	1400 W	1400 W	1400 W
Mikrovlnná frekvencia	2450 MHz*						
Vonkajšie rozmery (Š) x (V) x (H) mm	455 x 274 x 334	483 x 281 x 377	483 x 281 x 403	455 x 274 x 345	483 x 281 x 395	483 x 281 x 403	539 x 309 x 441
Rozmery vnútorného priestoru (Š) x (V) x (H)** mm	315 x 198 x 297	340 x 220 x 320	340 x 220 x 344	315 x 198 x 297	340 x 220 x 320	340 x 220 x 344	354 x 220 x 358
Objem vnútorného priestoru	20 litrov**	23 litrov**	25 litrov**	20 litrov**	25 litrov**	25 litrov**	28 litrov**
Priemer otočného taniera	245 mm	270 mm	270 mm	245 mm	270 mm	270 mm	325 mm
Veľkosť grilovacieho roštu (Š) x (H) mm				190 x 79	80 x 208	80 x 208	89 x 285
Hmotnosť	pribl. 10,5 kg	pribl. 12,9 kg	pribl. 13,5 kg	pribl. 10,9 kg	pribl. 13,9 kg	pribl. 13,7 kg	pribl. 16,6 kg
Žiarovka v rúre (typ LED)	1,5 W						

* - Tento produkt spĺňa požiadavky európskeho štandardu EN55011. Produkt je zaradený v zhode so štandardom ako zariadenie skupiny 2, triedy B.

Skupina 2 znamená, že zariadenie účelovo vytvára vysokofrekvenčnú energiu v podobe elektromagnetických lúčov na tepelnú úpravu potravín.

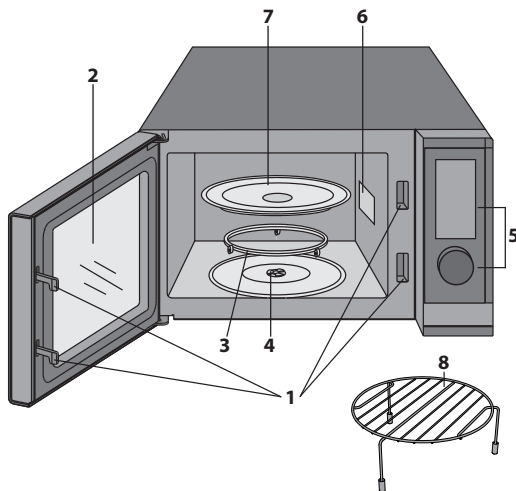
Zariadenie triedy B znamená, že je zariadenie vhodné na použitie v domácnostiach.

** - Vnútorný priestor sa vypočítava na základe max. nameranej šírky, hĺbky a výšky. Skutočná kapacita pre potraviny je však menšia.

TECHNICKÉ ÚDAJE MÔŽU BYŤ KEDYKOL'VEK ZMENENÉ BEZ UVEDENIA DÔVODOV, ABY MOHOL BYŤ ZOHLADŇOVANÝ TECHNICKÝ POKROK.

RÚRA A PRÍSLUŠENSTVO

1. Systém bezpečnostného blokovania dverí
2. Okienko rúry
3. Nosič otočného taniera
4. Hnací hriadeľ otočného taniera
5. Volič a ovládacie tlačidlá
6. Ochrana proti postriekaniu vlnovodu (neodstraňujte)
7. Sklenený podnos
8. Grilovací rošt pre YC-PG204A, YC-PG234A, YC-PG254A a YC-PG284A
9. Vetracie otvory
10. Vonkajší kabinet
11. Sieťový kábel



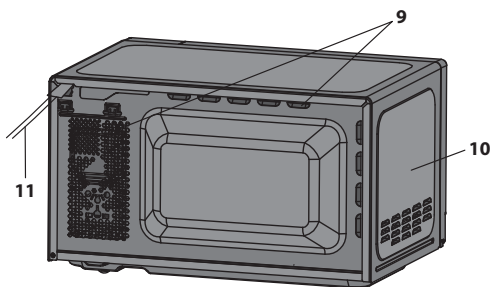
Skontrolujte, či sú k dispozícii tieto diely príslušenstva:

Len rúry s grilom:

- **Grilovací rošt** – len na použitie pri grilovaní.
- Grilovací rošt je určený len na použitie s rúrami s grilom. Rošt **NEPOUŽÍVAJTE** pri používaní funkcie mikrovlnnej rúry.
- Informácie o používaní grilovacieho roštu nájdete v častiach GRIL v tomto návode na používanie.

Nikdy sa nedotýkajte grilu, keď je horúci.

POZNÁMKA: Pri objednávaní dielov príslušenstva musíte vždy oznámiť názov dielu a názov modelu.



POZNÁMKY:

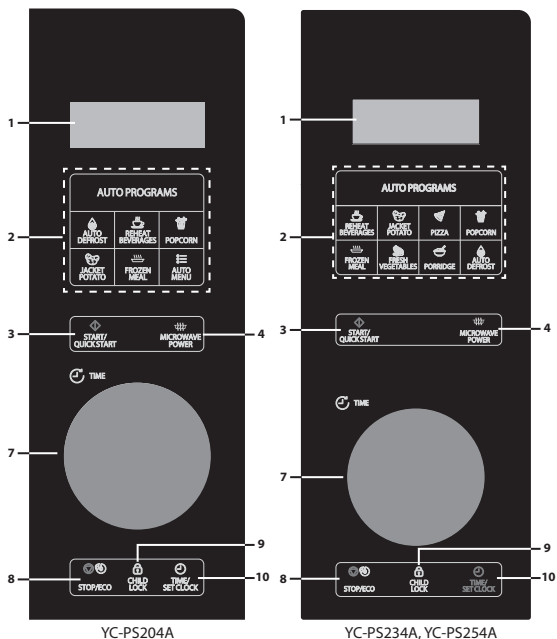
- Po príprave mastných jedál bez pokrývky vždy dôkladne vyčistite vnútro rúry, a to tak, aby bolo suché a bez mastnoty. Usadené kvapky tuku by sa mohli prehriať, začať dymiť alebo sa vznietiť.
- Pri príprave pomocou mikrovlnnej rúry vždy umiestnite riad na otočný tanier.
- **NEPOUŽÍVAJTE** grilovací rošt len na funkciu prípravy pomocou mikrovlnnej rúry.



VÝSTRAHA: Tento symbol znamená, že sa povrchy môžu počas používania zahrievať. Počas prevádzky sa dvierka, vonkajšok a vnútro rúry, ako aj príslušenstvo a riad veľmi zahrievajú. Aby ste sa nepopáliili, používajte vždy hrubé rukavice na pečenie.

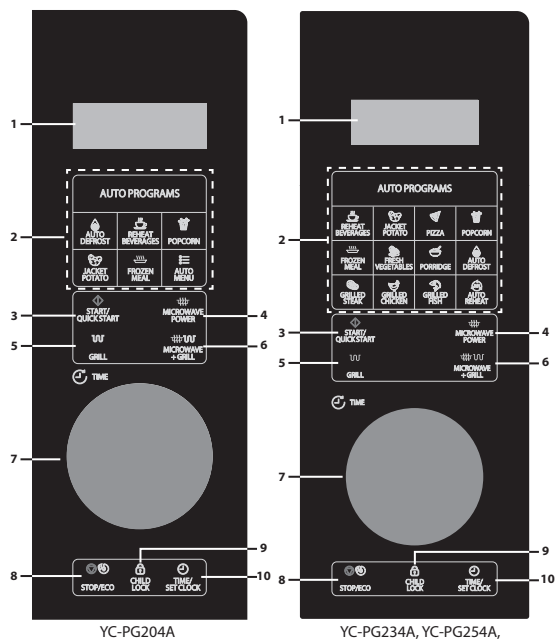
OVLÁDACÍ PANEL

- DIGITÁLNY DISPLEJ** – zobrazí sa doba prípravy jedla, výkon, indikátory a čas hodín.
- Tlačidlá AUTOMATICKÉ MENU** – stlačením vyberte menu automatického varenia. (Informácie o používaní nájdete na strane 19).
- START/QUICK START (ŠTART/RÝCHLY ŠTART)** – (Strana 17).
- MICROWAVE POWER (MIKROVLNNÝ VÝKON)** – stlačením vyberte stupeň mikrovlnného výkonu. (Strana 16).
- GRILL (GRIL)** – stlačením nastavte program prípravy jedla pomocou grilu. (Strana 17).
- MICROWAVE+GRILL (MIKROVLNNÝ+GRIL)** – stlačením nastavíte kombinovaný program prípravy jedla pomocou mikrovln a grilu. (Strana 18).
- VOLIČ** – Otáčaním v smere alebo proti smeru hodinových ručičiek nastavíte rôzne funkcie.
- STOP/ECO (STOP/EKO)** – jedným stlačením dočasne zastavíte prípravu jedla, druhým stlačením prípravu jedla úplne zrušíte. Použite na nastavenie režimu úspory energie. (Strana 23).
- CHILD LOCK (DETSKÝ ZÁMOK)** – (Strana 24).
- TIME/SET CLOCK (ČAS/NASTAVENIE HODÍN)** – použite na nastavenie času hodín. Použite na nastavenie funkcie časovača. (Strana 15).



YC-PS204A

YC-PS234A, YC-PS254A



YC-PG204A

YC-PG234A, YC-PG254A,
YC-PG284A

PRED POUŽITÍM RÚRY

Pri prvom zapojení rúry zaznie zvukový signál a na displeji sa zobrazí „1:00“. Upozorňujeme, že hodiny nemusia byť nastavené, aby rúra fungovala správne. Ak chcete nastaviť hodiny, postupujte podľa pokynov v časti „**Nastavenie hodín**“ tohto návodu na používanie.

Pri prvom použití nového grilu sa z neho uvoľňuje dym a zápach. Aby ste tomu zabránili pri príprave jedla, použite približne 20 minút funkciu grilu bez jedla.

- Po otvorení a zatvorení dveriek prejde rúra do pohotovostného režimu. Ak do 1 minúty nestlačíte žiadne tlačidlo, displej zostane zapnutý a tlačidlá nebudú fungovať. Ak chcete opäť prejsť do pohotovostného režimu, otvorte a zatvorte dverka.
- Ak počas varenia raz stlačíte tlačidlo **STOP/EKO**, cyklus varenia sa pozastaví. Na opätovné spustenie varenia stlačte tlačidlo **ŠTART/RÝCHLY ŠTART**. Ak tlačidlo **STOP/EKO** stlačíte dvakrát, varenie sa zruší.
- Ak programujete rúru na určitú funkciu a medzi stlačeniami tlačidiel je prestávka dlhšia ako 30 sekúnd, rúra sa vráti do pohotovostného režimu.
- Po ukončení cyklu varenia sa na displeji zobrazí „**End**“ (Koniec) a každé dve minúty sa ozve tón, kým nestlačíte tlačidlo alebo neotvoríte dverka.

NASTAVENIE HODÍN

Táto rúra má hodiny, ktoré možno používať v 12- alebo 24-hodinovom režime. Ak chcete nastaviť hodiny, postupujte podľa nižšie uvedených pokynov:

1. V pohotovostnom režime stlačte a podržte tlačidlo **ČAS/NASTAVENIE HODÍN** aspoň 3 sekundy, aby ste vstúpili do režimu nastavenia hodín.
 2. Stlačením tlačidla **ČAS/NASTAVENIE HODÍN** vyberte 12- alebo 24-hodinový režim hodín.
 3. Otáčaním **VOLIČA** nastavte hodinu. Na uloženie stlačte tlačidlo **ČAS/NASTAVENIE HODÍN**.
 4. Otáčaním **VOLIČA** nastavte minúty. Na uloženie a ukončenie režimu nastavenia hodín stlačte tlačidlo **ČAS/NASTAVENIE HODÍN**.
- Na to, aby rúra fungovala normálne, nie je potrebné nastavovať hodiny.
 - V režime varenia stlačte tlačidlo **ČAS/NASTAVENIE HODÍN**, aby sa zobrazil denný čas (ak je nastavený). Denný čas sa po piatich sekundách zmení späť na odpočítavanie času varenia. Upozorňujeme, že denný čas nie je možné zobrazit, ak bol nastavený kuchynský časovač.

VARENIE S MIKROVLNNOU RÚROU

Ak chcete používať funkciu mikrovlnnej rúry, postupujte podľa nižšie uvedených pokynov:

1. V pohotovostnom režime stlačením tlačidla **MIKROVLNNÝ VÝKON** vyberte stupeň výkonu. Pri každom stlačení tohto tlačidla sa na displeji zobrazí stupeň mikrovlnného výkonu.
2. Po vybratí požadovaného stupňa mikrovlnného výkonu otáčaním **VOLIČA** vyberte čas varenia.
3. Stlačením tlačidla **ŠTART/RÝCHLY ŠTART** spustíte varenie.
4. Po ukončení cyklu varenia sa na displeji zobrazí „End“ (Koniec) a každé dve minúty sa ozve tón, kým nestlačíte tlačidlo alebo neotvoríte dvierka.

Upozorňujeme, že nižšie uvedená tabuľka je orientačná. Vaša rúra má 10 stupňov mikrovlnného výkonu. Sú to 10%, 20%, 30%, 40%, 50%, 60%, 70%, 80%, 90% a 100 %. Skutočný výkon vo wattoch môžete vypočítať vynásobením mikrovlnného výkonu percentom.

Príručka varenia v mikrovlnnej rúre:

Displej	Mikrovlnný výkon	Odporúčané použitie
P100	100 %	Toto nastavenie použite na rýchlu tepelnú úpravu alebo ohrev, napr. pre husté polievky, teplé nápoje, zeleninu a pod.
P-80	80 %	Tento stupeň výkonu sa odporúča pre kompaktnější pokrmy, ktoré pri obvyklých metódach vyžadujú dlhú tepelnú úpravu, napr. pokrmy z hovädzieho mäsa, aby mäso zostalo mäkké.
P-60	60 %	Používa sa na dlhšie varenie hustých jedál, ako sú pečené mäso, fašírka a hotové jedlá, ako aj na prípravu citlivých jedál, napríklad syrovej omáčky a koláčov s treného cesta.
P-40	40 %	Nastavenie pre rozmrazovanie; zvolte tento stupeň pre rozmrazovanie, aby sa pokrmy rozmrazovali rovnomerne. Tento stupeň je tiež veľmi vhodný na varenie ryže, cestovín, knedlí a opekaného vaječného pudingu.
P-20	20 %	Na mierne rozmrazovanie, napr. pre smotanové torty alebo listové cesto.

- Počas varenia môžete skontrolovať stupeň výkonu stlačením a podržaním tlačidla **MIKROVLNNÝ VÝKON**.
- Najdlhšia doba varenia je 95 minút.

RÝCHLY ŠTART

Ak potrebujete variť na 100 % výkone, stačí v pohotovostnom režime stlačiť tlačidlo **ŠTART/RÝCHLY ŠTART** na **VOLIČI**. Pri každom stlačení tlačidla **ŠTART/RÝCHLY ŠTART** sa k času varenia pridá 30 sekúnd.

VARENIE S GRILOM*

Ohrevné teleso grilu v hornej časti vnútorného priestoru rúry má len jedno nastavenie výkonu, je účinné a úsporné. Gril je ideálny na prípravu slaniny, šunky, rybích prstov a čajových koláčikov.

Na grilovanie malých potravín, ako je slanina a klobásy, použite grilovací rošt, ktorý v polovici grilovania otočíte. Jedlo môžete položiť priamo na rošt alebo ho umiestniť do plochej misy alebo na žiaruvzdorný tanier. Aby ste sa uistili, že z pripravovaného jedla neodkvapkáva žiadny tuk alebo olej, zabezpečte, aby bol pod grilovacím roštom umiestnený vhodný podnos.

Ak je nádoba dostatočne plytká, môžete pri opekaní potravín v zapekacej miske použiť grilovací rošt. Odporúča sa však umiestniť takéto nádoby priamo na otočný tanier, aby ste podľa potreby získali trochu viac času na zhnednutie. Grilovací rošt nie je možné používať na grilovanie.

Ak chcete použiť funkciu grilu, postupujte podľa nižšie uvedených pokynov:

1. V pohotovostnom režime stlačením tlačidla **GRILO** vyberte funkciu grilovania. Na displeji sa zobrazí „**Grill**“ (Gril)
2. Otáčaním **VOLIČA** vyberte čas varenia.
3. Stlačením tlačidla **ŠTART/RÝCHLY ŠTART** spustíte varenie.
4. Po ukončení cyklu varenia sa na displeji zobrazí „**End**“ (Koniec) a každé 2 minúty sa ozve tón, kým nestlačíte tlačidlo alebo neotvoríte dverka.

* - Iba pre modely s grilom.

MIKROVLNÝ+GRIL*

Pomocou funkcie mikrovlnnej rúry a grilu je možné jedlo rýchlo opieť a pripraviť. Ak chcete použiť funkciu mikrovlnnej rúry a grilu, postupujte podľa nižšie uvedených pokynov:

1. V pohotovostnom režime stlačte raz alebo dvakrát tlačidlo **MIKROVLNÝ+GRIL** a vyberte „Co-1“ alebo „Co-2“.
2. Otáčaním **VOLIČA** nastavte čas varenia.
3. Stlačením tlačidla **ŠTART/RÝCHLY ŠTART** spustíte prípravu.
4. Po ukončení cyklu varenia sa na displeji zobrazí „End“ (Koniec) a každé dve minúty sa ozve tón, kým nestlačíte tlačidlo alebo neotvoríte dverka.

Funkcia mikrovlny+gril

Displej	Výstup	Odporúčané použitie
Co-1	70 % gril / 30 % mikrovlny	kúsky kuraťa, kuracie prsia, bravčové kotlety
Co-2	56 % gril / 44 % mikrovlny	Celé kurča

- Maximálny čas grilovania je 95 minút.
- Počas grilovania nechajte dym alebo pachy rozptýliť otvorením okna alebo zapnutím vetrania kuchyne. Je to normálne a nie je to chyba rúry.
- Počas varenia môžete skontrolovať aktuálny výkon kombinovaného varenia dotykom tlačidla **MIKROVLNÝ+GRIL**.
- Pri použití funkcie grilu sa gril v pravidelných intervaloch zapne a vypne, aby sa zabránilo prehrievaniu.
- Pri použití funkcie MIKROVLNÝ+GRIL môžete jedlo umiestniť vo vhodnej nádobe priamo na otočný tanier rúry alebo na priložený grilovací rošt.

VÝSTRAHA: Počas prevádzky sa dverka, vonkajšok a vnútro rúry, ako aj príslušenstvo a riad veľmi zahrievajú. Aby ste sa nepopálili, používajte vždy hrubé rukavice na pečenie.

* - Iba pre modely s grilom.

AUTOMATICKÉ MENU

Automatické programy umožňujú rýchlu a efektívnu prípravu jedla len niekoľkými stlačeniami tlačidla. Nie je potrebné programovať dĺžku trvania a výkon varenia, stačí stlačiť požadované tlačidlo automatického varenia, otáčaním **VOLIČA** zadať hmotnosť/kusy a potom stlačiť tlačidlo **START/RÝCHLY START**.

Napríklad na uvarenie dvoch zemiakov v šupke:

1. Otvorte dvierka a vložte jedlo do rúry s použitím vhodného riadu pre použitý cyklus prípravy jedla.
2. Zatvorte dvierka.
3. Stlačte raz tlačidlo **ZEMIAKY V ŠUPKE**.
4. Otáčaním **VOLIČA** zadajte počet zemiakov.
5. Stlačte tlačidlo **START/RÝCHLY START**.
6. Po ukončení cyklu varenia sa na displeji zobrazí „End“ (Koniec) a každé dve minúty sa ozve tón, kým nestlačíte tlačidlo alebo neotvoríte dvierka.

Menu automatického varenia:

Automatický program	Veľkosť/hmotnosť
Mrazené pokrmy Automatické rozmrazenie Automatické opätovné ohriatie	Otáčaním VOLIČA vyberte hmotnosť. Mrazené pokrmy a automatické opätovné ohriatie (200 až 800 g), automatické rozmrazenie (100 až 1800 g)
Opätovný ohrev nápojov	Otáčaním VOLIČA zvolte počet šálok (po 200 ml). 1 až 3 šálky.
Zemiaky v šupke	Otáčaním VOLIČA vyberte počet zemiakov (po 230 g). 1 alebo 2 zemiaky.
Pizza	Otáčaním VOLIČA vyberte hmotnosť pizze (150 g / 300 g / 450 g).
Pukance	Otáčaním VOLIČA vyberte počet balíčkov pukancov (po 100 g).
Čerstvá zelenina	Otáčaním VOLIČA vyberte hmotnosť zeleniny (200 g až 600 g).
Ovsená kaša	Otáčaním VOLIČA vyberte hmotnosť kaše (v gramoch). 50 až 150 g.
Grilovaný steak (len modely s grilom)	Otáčaním VOLIČA vyberte hmotnosť steaku (200 g až 600 g).
Grilované kurča (len modely s grilom)	Otáčaním VOLIČA vyberte hmotnosť kuratá (200 g až 600 g).
Grilovaná ryba (len modely s grilom)	Otáčaním VOLIČA vyberte hmotnosť ryby (200 g až 600 g).

- Výsledok automatického varenia závisí od faktorov, ako je tvar a veľkosť potravín, vaše osobné preferencie, pokiaľ ide o prepečenie určitých potravín, a dokonca aj od toho, ako dobre ste potraviny do rúry vložili. Ak sa vám zdá, že výsledok nie je celkom uspokojivý, upravte podľa toho trochu dobu varenia.

Poznámka: Tlačidlo automatického menu sa používa len na modeloch YC-PG204A a YC-PS204A. Pri každom stlačení tlačidla automatického menu sa na displeji zobrazí automatický program podľa vyššie uvedenej tabuľky. Keď nájdete požadované automatické menu, otáčaním **VOLIČA** vyberte hmotnosť pripravovaného jedla.

Podrobnosti o automatickom programe

Jedlo	Množstvo	Začiatková teplota	Technika varenia
Opätovný ohrev nápojov	1 až 3 šálky 1 šálka = 200 ml	Teplota okolia	<ol style="list-style-type: none"> 1. Umiestnite nápoj, ktorý chcete ohriať, do stredu skleneného otočného taniera mikrovlnnej rúry 2. Zatvorte dverka, stlačte tlačidlo OPÄTOVNÝ OHREV NÁPOJOV a otáčaním OVLÁDACIEHO KOLIESKA vyberte počet šálok. 3. Stlačením tlačidla ŠTART/RÝCHLY ŠTART spustíte varenie. 4. Keď sa časovač zastaví, vyberte nápoj. Buďte opatrní, pretože váš nápoj bude horúci.
Zemiaky v šupke	1 až 2 zemiaky 1 zemiak = 230 ±10 g	Teplota okolia	<ol style="list-style-type: none"> 1. Zemiaky umyte a osušte a povrch zemiakov niekoľkokrát popichajte vidličkou. 2. Umiestnite zemiaky do stredu skleneného otočného taniera mikrovlnnej rúry. 3. Zatvorte dverka a stlačte tlačidlo ZEMIAKY V ŠUPKE a otáčaním OVLÁDACIEHO KOLIESKA vyberte počet zemiakov. 4. Stlačením tlačidla ŠTART/RÝCHLY ŠTART spustíte varenie. 5. Keď sa časovač zastaví, vyberte zemiaky z mikrovlnnej rúry. Buďte opatrní, pretože jedlo bude horúce.
Pizza	150 až 450 g	Zmrazené na -18 °C	<ol style="list-style-type: none"> 1. Umiestnite pizzu na tanier vhodný do mikrovlnnej rúry do stredu skleneného otočného taniera. 2. Zatvorte dverka a stlačte tlačidlo PIZZA a otáčaním OVLÁDACIEHO KOLIESKA vyberte hmotnosť. 3. Stlačením tlačidla ŠTART/RÝCHLY ŠTART spustíte varenie. 4. Keď sa časovač zastaví, vyberte pizzu z mikrovlnnej rúry. Buďte opatrní, pretože jedlo bude horúce.
Pukance	100 g	Teplota okolia	<ol style="list-style-type: none"> 1. Umiestnite popcorn do stredu skleneného otočného taniera mikrovlnnej rúry. 2. Zatvorte dverka a stlačte tlačidlo POPCORN. 3. Stlačením tlačidla ŠTART/RÝCHLY ŠTART spustíte varenie. 4. Keď sa časovač zastaví, vyberte popcorn z mikrovlnnej rúry. Buďte opatrní, pretože jedlo bude horúce.
Mrazené jedlo	200 až 800 g	Zmrazené na -18 °C	<ol style="list-style-type: none"> 1. Umiestnite mrazené jedlo do nádoby vhodnej do mikrovlnnej rúry a prikryte ho plastovou fóliou; do fólie urobte otvory. 2. Umiestnite nádobu do stredu skleneného otočného taniera mikrovlnnej rúry. 3. Zatvorte dverka a stlačte tlačidlo MRAZENÉ JEDLO a otáčaním OVLÁDACIEHO KOLIESKA vyberte hmotnosť. 4. Stlačením tlačidla ŠTART/RÝCHLY ŠTART spustíte varenie. 5. Keď sa časovač zastaví, vyberte a podávajte. Buďte opatrní, pretože jedlo bude horúce.
Čerstvá zelenina	200 až 600 g	Teplota okolia	<ol style="list-style-type: none"> 1. Umyte a nakrájajte zeleninu na malé kúsky; dĺžka 25 – 30 mm a hrúbka 10 mm. 2. Umiestnite tieto kúsky do keramickej misy vhodnej do mikrovlnnej rúry a prikryte ich plastovou fóliou; do fólie urobte otvory. 3. Umiestnite misku do stredu skleneného otočného taniera mikrovlnnej rúry. 4. Zatvorte dverka a stlačte tlačidlo ČERSTVÁ ZELENINA a otáčaním OVLÁDACIEHO KOLIESKA vyberte hmotnosť. 5. Stlačením tlačidla ŠTART/RÝCHLY ŠTART spustíte varenie. 6. Keď sa časovač zastaví, vyberte a podávajte. Buďte opatrní, pretože jedlo bude horúce.
Ovsená kaša	50 až 150 g	Teplota okolia	<ol style="list-style-type: none"> 1. V miske zmiešajte ovsenú kašu a mlieko. Na 50 g ovsu odporúčame 180 ml mlieka. 2. Umiestnite misku do stredu skleneného otočného taniera. 3. Zatvorte dverka a stlačte tlačidlo OVSENÁ KAŠA a otáčaním OVLÁDACIEHO KOLIESKA vyberte hmotnosť. 4. Stlačením tlačidla ŠTART/RÝCHLY ŠTART spustíte varenie. 5. Keď sa časovač zastaví, vyberte a podávajte.
Automatický opätovný ohrev	200 až 800 g	Schladené na 5 °C	<ol style="list-style-type: none"> 1. Umiestnite studený ryžu alebo cestoviny do keramickej misy vhodnej do mikrovlnnej rúry a zakryte plastovou fóliou; do fólie urobte otvory. 2. Umiestnite misku do stredu skleneného otočného taniera mikrovlnnej rúry. 3. Zatvorte dverka a stlačte tlačidlo AUTOMATICKÝ OPÄTOVNÝ OHREV a otáčaním OVLÁDACIEHO KOLIESKA vyberte hmotnosť. 4. Stlačením tlačidla ŠTART/RÝCHLY ŠTART spustíte varenie. 5. Keď sa časovač zastaví, vyberte a podávajte.
Grilovaný steak	200 až 600 g	Teplota okolia	<ol style="list-style-type: none"> 1. Rovnomerne rozprestrite steak na grilovací rošt pokrytý papierom odolným proti masťom. 2. Umiestnite grilovací rošt do stredu skleneného otočného taniera mikrovlnnej rúry. 3. Zatvorte dverka a stlačte tlačidlo GRILOVANÝ STEAK a otáčaním OVLÁDACIEHO KOLIESKA vyberte hmotnosť. 4. Stlačením tlačidla ŠTART/RÝCHLY ŠTART spustíte varenie. 5. Po dvoch tretinách času varenia otvorte dverka, aby ste jedlo obrátili, potom dverka zatvorte a pokračujte vo varení. 6. Po zastavení časovača vyberte a podávajte. Buďte opatrní, pretože jedlo a riad budú horúce.
Grilované kúsky kuraťa	200 až 600 g	Teplota okolia	<ol style="list-style-type: none"> 1. Rovnomerne rozprestrite kuracie kúsky na grilovací rošt pokrytý papierom odolným proti masťom. 2. Umiestnite grilovací rošt do stredu skleneného otočného taniera mikrovlnnej rúry. 3. Zatvorte dverka a stlačte tlačidlo GRILOVANÉ KURA a otáčaním OVLÁDACIEHO KOLIESKA vyberte hmotnosť. 4. Stlačením tlačidla ŠTART/RÝCHLY ŠTART spustíte varenie. 5. Po dvoch tretinách času varenia otvorte dverka, aby ste jedlo obrátili, potom dverka zatvorte a pokračujte vo varení. 6. Po zastavení časovača vyberte a podávajte. Buďte opatrní, pretože jedlo a riad budú horúce.
Grilované kúsky ryby	100 až 500 g	Teplota okolia	<ol style="list-style-type: none"> 1. Rovnomerne rozprestrite kúsky ryby na grilovací rošt pokrytý papierom odolným proti masťom. 2. Umiestnite grilovací rošt do stredu skleneného otočného taniera mikrovlnnej rúry. 3. Zatvorte dverka a stlačte tlačidlo GRILOVANÁ RYBA a otáčaním OVLÁDACIEHO KOLIESKA vyberte hmotnosť. 4. Stlačením tlačidla ŠTART/RÝCHLY ŠTART spustíte varenie. 5. Po dvoch tretinách času varenia otvorte dverka, aby ste jedlo obrátili, potom dverka zatvorte a pokračujte vo varení. 6. Po zastavení časovača vyberte a podávajte. Buďte opatrní, pretože jedlo a riad budú horúce.

Poznámka	Režim a použitá metóda pečenia	YC-PS204A	YC-PS234A a YC-PS254A	YC-PG204A	YC-PG234A, YC-PG254A a YC-PG284A
	Len mikrovlnná rúra na 100 %	1 šálka – 1:40 min 2 šálky – 3:00 min 3 šálky – 4:20 min	1 šálka – 1:30 min 2 šálky – 2:40 min 3 šálky – 3:50 min	1 šálka – 1:40 min 2 šálky – 3:00 min 3 šálky – 4:20 min	1 šálka – 1:30 min 2 šálky – 2:40 min 3 šálky – 3:50 min
	Len mikrovlnná rúra na 100 %	1 zemiak – 6:00 min 2 zemiaky – 9:00 min 3 zemiaky – 13:00 min	1 zemiak – 5:00 min 2 zemiaky – 8:00 min 3 zemiaky – 12:00 min	1 zemiak – 6:00 min 2 zemiaky – 9:00 min 3 zemiaky – 13:00 min	1 zemiak – 5:00 min 2 zemiaky – 8:00 min 3 zemiaky – 12:00 min
Pri modeloch YC-PS204A a YC-PG204A je potrebné stlačiť tlačidlo PONUKA AUTO, kým sa nezobrazí program.	Len mikrovlnná rúra na 100 %	150 g – 1:00 min 300 g – 1:30 min 450 g – 2:00 min	150 g – 0:50 min 300 g – 1:20 min 450 g – 1:50 min	150 g – 1:00 min 300 g – 1:30 min 450 g – 2:00 min	150 g – 0:50 min 300 g – 1:20 min 450 g – 1:50 min
	Len mikrovlnná rúra na 100 %	100 g – 3:00 min	100 g – 2:00 min	100 g – 3:00 min	100 g – 2:30 min
	Mikrovlnná rúra na 100 % po dobu 1/2 času, potom 0 % po dobu 1/6 času a nakoniec 100 % po dobu 1/3 času	200 g – 8:00 min 400 g – 11:00 min 600 g – 15:00 min 800 g – 18:00 min	200 g – 6:00 min 400 g – 9:00 min 600 g – 13:00 min 800 g – 16:00 min	200 g – 8:00 min 400 g – 11:00 min 600 g – 15:00 min 800 g – 18:00 min	200 g – 6:00 min 400 g – 9:00 min 600 g – 13:00 min 800 g – 16:00 min
Pri modeloch YC-PS204A a YC-PG204A je potrebné stlačiť tlačidlo PONUKA AUTO, kým sa nezobrazí program.	Len mikrovlnná rúra na 100 %	200 g – 3:30 min 300 g – 4:30 min 400 g – 5:30 min 500 g – 6:30 min 600 g – 7:30 min	200 g – 3:00 min 300 g – 4:00 min 400 g – 5:00 min 500 g – 6:00 min 600 g – 7:00 min	200 g – 3:30 min 300 g – 4:30 min 400 g – 5:30 min 500 g – 6:30 min 600 g – 7:30 min	200 g – 3:00 min 300 g – 4:00 min 400 g – 5:00 min 500 g – 6:00 min 600 g – 7:00 min
Pri modeloch YC-PS204A a YC-PG204A je potrebné stlačiť tlačidlo PONUKA AUTO, kým sa nezobrazí program.	Mikrovlnná rúra – 100 %	50 g – 2:00 min 100 g – 3:30 min 150 g – 5:30 min	50 g – 2:00 min 100 g – 3:30 min 150 g – 5:30 min	50 g – 2:00 min 100 g – 3:30 min 150 g – 5:30 min	50 g – 2:00 min 100 g – 3:30 min 150 g – 5:30 min
Pri modeloch YC-PG204A je potrebné stlačiť tlačidlo PONUKA AUTO, kým sa nezobrazí program.	Len mikrovlnná rúra na 100 %	200 g – 2:00 min 300 g – 2:40 min 400 g – 3:20 min 500 g – 4:00 min 600 g – 4:40 min 700 g – 5:20 min 800 g – 6:00 min	200 g – 1:30 min 300 g – 2:00 min 400 g – 2:30 min 500 g – 3:00 min 600 g – 3:30 min 700 g – 4:00 min 800 g – 4:30 min	200 g – 2:00 min 300 g – 2:40 min 400 g – 3:20 min 500 g – 4:00 min 600 g – 4:40 min 700 g – 5:20 min 800 g – 6:00 min	200 g – 1:30 min 300 g – 2:00 min 400 g – 2:30 min 500 g – 3:00 min 600 g – 3:30 min 700 g – 4:00 min 800 g – 4:30 min
Pri modeloch YC-PG204A je potrebné stlačiť tlačidlo PONUKA AUTO, kým sa nezobrazí program.	Mikrovlnná rúra bude pracovať na 100 % po dobu 10 sekúnd, potom sa na 23 sekúnd zapne gril. Tento cyklus sa opakuje až do konca varenia. Mikrovlnná rúra a gril nie sú nikdy zapnuté súčasne.	nedostupné	nedostupné	200 g – 15:00 min 300 g – 18:00 min 400 g – 21:00 min 500 g – 24:00 min 600 g – 27:00 min	200 g – 15:00 min 300 g – 18:00 min 400 g – 21:00 min 500 g – 24:00 min 600 g – 27:00 min
Pri modeloch YC-PG204A je potrebné stlačiť tlačidlo PONUKA AUTO, kým sa nezobrazí program.	Mikrovlnná rúra bude pracovať na 100 % po dobu 10 sekúnd, potom sa na 23 sekúnd zapne gril. Tento cyklus sa opakuje až do konca varenia. Mikrovlnná rúra a gril nie sú nikdy zapnuté súčasne.	nedostupné	nedostupné	200 g – 15:00 min 300 g – 18:00 min 400 g – 21:00 min 500 g – 24:00 min 600 g – 27:00 min	200 g – 15:00 min 300 g – 18:00 min 400 g – 21:00 min 500 g – 24:00 min 600 g – 27:00 min
Pri modeloch YC-PG204A je potrebné stlačiť tlačidlo PONUKA AUTO, kým sa nezobrazí program.	Mikrovlnná rúra bude pracovať na 100 % po dobu 10 sekúnd, potom sa na 23 sekúnd zapne gril. Tento cyklus sa opakuje až do konca varenia. Mikrovlnná rúra a gril nie sú nikdy zapnuté súčasne.	nedostupné	nedostupné	100 g – 12:00 min 200 g – 15:00 min 300 g – 18:00 min 400 g – 21:00 min 500 g – 24:00 min	100 g – 12:00 min 200 g – 15:00 min 300 g – 18:00 min 400 g – 21:00 min 500 g – 24:00 min

AUTOMATICKÉ ROZMRAZENIE

Funkcia automatického rozmrazovania umožňuje rozmrazovať potraviny podľa hmotnosti. Čas rozmrazovania a stupeň výkonu sa nastavujú automaticky po naprogramovaní kategórie potravín a hmotnosti. Hmotnosť zmrazených potravín sa pohybuje od 100 g do 1800 g.

1. V pohotovostnom režime stlačte tlačidlo **AUTOMATICKÉ ROZMRAZENIE**.
2. Otáčaním **VOLIČA** vyberte hmotnosť rozmrazovaných potravín.
3. Stlačením tlačidla **ŠTART/RÝCHLY ŠTART** spustíte cyklus rozmrazovania.
4. Ak sa rúra počas cyklu rozmrazovania zastaví, otočte jedlo, aby ste zabezpečili rovnomerné rozmrazovanie, a potom stlačte tlačidlo **ŠTART/RÝCHLY ŠTART** na rozmrazovanie po dobu zostávajúceho času.
5. Po ukončení cyklu rozmrazovania sa na displeji zobrazí „End“ (Koniec) a každé 2 minúty sa ozve tón, kým nestlačíte tlačidlo alebo neotvoríte dverka.

Automatické rozmrazovanie – prevádzka

Model	Hmotnostný rozsah	Časový rozsah rozmrazovania	Prevádzka rozmrazovania	Metóda
YC-PG204A	100 až 1800 g	5,5 až 39,5 min	Mikrovlnná rúra na 40 % po dobu 1/3 času, potom 20 % po dobu 1/3 času. Zaznie výzva na otočenie. Po otočení sa bude po zvyšok času rozmrazovať na 20 %.	1. Umiestnite mrazené potraviny do nádoby vhodnej do mikrovlnnej rúry a prikryte ich plastovou fóliou; do fólie urobte otvory. 2. Umiestnite nádobu do stredu skleneného otočného taniera mikrovlnnej rúry. 3. Zatvorte dverka a stlačte tlačidlo AUTOMATICKÉ ROZMRAZENIE a otáčaním OVLÁDACIEHO KOLIESKA vyberte hmotnosť.
YC-PG204A	100 až 1800 g	5 až 39 min	Mikrovlnná rúra na 20 % na polovicu času, zaznie výzva na otočenie. Na zvyšný čas použite výkon 20 %.	4. Stlačením tlačidla ŠTART/RÝCHLY ŠTART spustíte rozmrazovanie
YC-PS234A a YC-PG234A	100 až 1800 g	5,5 až 39,5 min	Mikrovlnná rúra na 30 % po dobu 1/3 času, potom 20 % po dobu 1/3 času. Zaznie výzva na otočenie. Po otočení sa bude po zvyšok času rozmrazovať na 20 %.	5. Počas cyklu rozmrazovania sa rúra zastaví a požiada o obrátenie jedla. 6. Otvorte dverka a otočte/znova usporiadajte potraviny. Zatvorte dverka. 7. Stlačením tlačidla ŠTART/RÝCHLY ŠTART pokračujte v rozmrazovaní.
YC-PS254A, YC-PG254A a YC-PG284A	100 až 1800 g	3 až 37 min	Mikrovlnná rúra na 30 % po dobu 1/3 času, potom 20 % po dobu 1/3 času. Zaznie výzva na otočenie. Po otočení sa bude po zvyšok času rozmrazovať na 20 %.	8. Keď sa časovač zastaví, vyberte jedlo z rúry. Skontrolujte, či je jedlo dôkladne rozmrazené.

AUTOMATICKÉ OPĀTOVNÉ OHRIATIE*

Rúra umožňuje ohrievať jedlo na základe hmotnosti zadanej používateľom.

Po naprogramovaní kategórie potravín a hmotnosti sa automaticky nastavujú doba ohrevu a stupeň výkonu. Hmotnosť opätovného ohrevu sa pohybuje v rozmedzí od 100 g do 800 g.

1. V pohotovostnom režime stlačte tlačidlo **AUTOMATICKÉ OPĀTOVNÉ OHRIATIE**.
2. Otáčaním **VOLIČA** vyberte hmotnosť ohrievaných potravín.
3. Stlačte tlačidlo **ŠTART/RÝCHLY ŠTART**.
4. Po ukončení cyklu varenia sa na displeji zobrazí „End“ (Koniec) a každé dve minúty sa ozve tón, kým nestlačíte tlačidlo alebo neotvoríte dverka.

* - Iba pre modely s grilom.

KUCHYNSKÝ ČASOVAČ

Rúra je vybavená kuchynským časovačom, ktorý odpočítava čas od nastaveného času.

1. V pohotovostnom režime stlačte raz tlačidlo **ČAS/NASTAVENIE HODÍN**.
2. Otočením **VOLIČA** nastavíte požadovanú dobu. Najdlhšia doba je 95 minút.
3. Potvrďte stlačením tlačidla **ŠTART/RÝCHLY ŠTART**.
4. Na displeji sa odpočítava nastavený čas.
5. Keď displej dosiahne nulu, zaznie tón.

V režime varenia je možné používať aj kuchynský časovač. Ak to chcete urobiť, postupujte podľa vyššie uvedených krokov počas varenia jedla. Po aktivácii kuchynského časovača sa na displeji zobrazí na päť sekúnd, potom sa displej vráti na odpočítavanie času pre cyklus varenia. Ak chcete časovač opäť zobrazit', stlačte raz tlačidlo **ČAS/NASTAVENIE HODÍN** a kuchynský časovač sa zobrazí na päť sekúnd, potom sa vráti na odpočítavanie času pre cyklus varenia.

- Program **ČASOVAČ** zrušíte stlačením tlačidla **STOP/EKO**. Na displeji sa zobrazí čas.
- Ak bol spustený cyklus varenia, je možné spustiť kuchynský časovač podľa vyššie uvedených krokov.

FUNKCIA ÚSPORY ENERGIE

Táto funkcia umožňuje šetriť energiu, keď sa rúra nepoužíva. Ak chcete túto funkciu aktivovať v pohotovostnom režime, stlačte a podržte tlačidlo **STOP/EKO** na 3 sekundy, displej zhasne; rúra prejde do režimu úspory energie. Ak chcete zrušiť režim úspory energie, stlačte ľubovoľné tlačidlo alebo otvorte a zatvorte dvierka rúry.

FUNKCIA STLMENIA ZVUKU

Pomocou funkcie stlmenia zvuku je možné stlmiť všetky tóny z mikrovlnnej rúry. Ak chcete nastaviť funkciu stlmenia zvuku, stlačte raz tlačidlo **DETSKÝ ZÁMOK**, na displeji sa na 5 sekúnd zobrazí „**oFF**“ (VYP). Počas režimu stlmenia zvuku sa pri stlačení tlačidiel neozve žiadny zvuk.

Ak chcete vypnúť funkciu stlmenia zvuku, stlačte raz tlačidlo **DETSKÝ ZÁMOK**, na displeji sa na 5 sekúnd zobrazí „**on**“ (ZAP), čo znamená, že zvuk bol opäť zapnutý.

Ak je nastavená funkcia stlmenia zvuku a rúra sa odpojí od elektrickej siete, po opätovnom pripojení k sieti sa zruší.

BEZPEČNOSTNÝ ZÁMOK

Ide o automatickú funkciu, ktorá zabraňuje tomu, aby rúru obsluhovali deti bez dozoru. Ak v pohotovostnom režime nedôjde k žiadnej operácii počas jednej minúty, rúra automaticky prejde do režimu bezpečnostného zámku a na displeji sa zobrazí „**Loc**“ (ZÁMOK). V uzamknutom stave sú všetky tlačidlá deaktivované. Stlačením ľubovoľného tlačidla sa na displeji na 5 sekúnd zobrazí indikátor uzamknutia, ktorý používateľovi pripomenie, že má zrušiť bezpečnostný zámok.

Ak chcete bezpečnostný zámok vypnúť, jednoducho otvorte a zatvorte dvierka mikrovlnnej rúry a klávesnica sa znova aktivuje. Kontrolka zámku zhasne.

DETSKÝ ZÁMOK

Ak chcete nastaviť DETSKÝ ZÁMOK, stlačte a podržte tlačidlo **DETSKÝ ZÁMOK** po dobu 3 sekúnd. Budete počuť dlhé pípnutie a na displeji sa zobrazí nápis „**Loc**“ (ZÁMOK). Rúra prejde do režimu DETSKÉHO ZÁMKU. Počas tohto režimu displej zobrazí hodiny. Ak stlačíte ľubovoľné tlačidlo alebo otvoríte dvierka, na 4 sekúnd sa zobrazí nápis „**Loc**“ (ZÁMOK).

Ak chcete zrušiť funkciu DETSKÝ ZÁMOK, stlačte a podržte tlačidlo **DETSKÝ ZÁMOK** na 3 sekundy, kým sa neozve dlhý zvukový signál.

ČISTENIE A STAROSTLIVOSŤ

- Pri čistení vypnite rúru a odpojte napájací kábel z elektrickej siete.
- Vnútrotný priestor rúry udržiavajte čistý. Ak sa na stenách rúry, na jej vrchu alebo základni zachytia rozstreknuté jedlá alebo rozliate tekutiny, utrite ich vlhkou handričkou. Ak sa rúra veľmi znečistí, môžete použiť jemné čistiace prostriedky. Nepoužívajte sprej ani iné drsné čistiace prostriedky. Mohli by zašpiniť alebo znehodnotiť povrch dvierok.
- Vonkajšok rúry by ste mali vyčistiť vlhkou handričkou. Aby sa zabránilo poškodeniu prevádzkových častí vo vnútri rúry, nesmie do ventilačných otvorov vnikáť voda.
- Utrite dvierka a okienko z oboch strán, tesnenie dvierok a susedné časti utrite často vlhkou handričkou, aby ste odstránili prípadné rozliatie alebo postriekanie.
- Nepoužívajte abrazívne čističe.
- Nečistite parou.
- Nenechajte ovládací panel navlhnúť. Čistite jemnou vlhkou handričkou. Pri čistení ovládacieho panela nechajte dvierka rúry otvorené, aby ste zabránili náhodnému zapnutiu rúry.
- Ak sa para nahromadí vo vnútri alebo okolo vonkajšej strany dvierok rúry, utrite ich mäkkou handričkou. K tomu môže dôjsť, keď je mikrovlnná rúra prevádzkovaná za podmienok vysokej vlhkosti. To nie je chyba.
- Základňa otočného taniera, nosič a hnací hriadeľ by sa mali pravidelne čistiť, aby sa zabránilo znečisteniu a prípadnému vzniku oblúka/poškodeniu. Stačí utrieť jemným čistiacim prostriedkom.
- Odstráňte z rúry zápach pomocou kombinácie šálky vody so šťavou a šupkou z jedného citróna v miske určenej do mikrovlnnej rúry. Nechajte pôsobiť mikrovlny po dobu 5 minút. Dôkladne utrite a osušte mäkkou handričkou.
- Ak sa pokazí žiarovka, obráťte sa na zákaznícky servis so žiadosťou o radu.
- Rúru by ste mali pravidelne čistiť a odstrániť všetky zvyšky jedla. Ak nebudete rúru udržiavať v čistom stave, mohlo by to viesť k zhoršeniu povrchu, čo by mohlo nepriaznivo ovplyvniť životnosť zariadenia a mohlo by to viesť k nebezpečnej situácii.
- Nevyhadzujte tento spotrebič do komunálneho odpadu; pozrite si odporúčania týkajúce sa likvidácie tohto typu výrobku vo vašej krajine.

VHODNÝ RIAD

1. Ideálny materiál pre riad do mikrovlnnej rúry je taký, ktorý je priehľadný pre mikrovlny, umožňuje prechod energie cez nádobu a umožňuje ohrev jedla.
2. Mikrovlny nedokážu preniknúť cez kov, preto by ste nemali používať kovový riad ani riad s kovovými ozdobami.
3. Pri varení v mikrovlnnej rúre nepoužívajte recyklované papierové výrobky, pretože môžu obsahovať malé kovové úlomky, ktoré môžu spôsobiť iskrenie a/alebo požiar.
4. Odporúča sa skôr okrúhly/oválny riad ako hranatý/podlhovastý, pretože jedlo v rohoch má tendenciu sa preváriť.
5. Na zabránenie prevarenia odkrytých plôch sa môžu použiť úzke pásy hliníkovej fólie. Dávajte však pozor, aby ste ich nepoužili príliš veľa, a medzi fóliou a vnútorným priestorom rúry udrzte vzdialenosť 2,54 cm.

Nižšie uvedený zoznam je všeobecným sprievodcom, ktorý vám pomôže pri výbere správneho riadu.

Riad	Vhodné do mikrovlnnej rúry	Poznámky	Komentár
Riad vhodný na zhnednutie pokrmu	✓ / ✗	✗	Vždy dodržiavajte pokyny výrobcu. Neprekračujte uvedené doby ohrevu. Dajte si pozor, pretože sa tieto nádoby môžu veľmi zahrievať.
Porcelán a keramika	✓ / ✗	✗	Porcelán, keramika, glazúrovaný hlinený riad a kostný porcelán sú obvykle vhodné. Výnimku tvorí riad zdobený kovom.
Sklo odolné voči teplu	✓	✓	Je potrebné dbať na to, aby bol akýkoľvek sklenený riad vhodný na použitie v mikrovlnnej rúre.
Sklo, ktoré nie je odolné voči teplu	✗	✗	
Keramika odolná voči teplu	✓	✓	Dbajte na to, aby keramický materiál nebol príliš hrubý a neobsahoval vysoký obsah minerálov.
Umelohmotný riad vhodný na použitie v mikrovlnnej rúre	✓	✗	Vždy skontrolujte, či je plastový riad vhodný na použitie v mikrovlnnej rúre.
Kuchynský papier	✓ / ✗	✗	Používajte len kuchynský papier, ktorý sa odporúča na použitie v mikrovlnnej rúre.
Sklenený riad napr. Pyrex®	✓ / ✗	✓	Pri použití krehkého skleneného riadu je treba dávať pozor, pretože sa pri náhlym zohriatí môže rozbiť alebo prasknúť.
Kovový podnos	✗	✓	Pri použití mikrovlnného výkonu neodporúčame použiť kovový riad. Spôsobí iskrenie, čo môže spôsobiť požiar.
Kovový rošt	✗	✓	Pri použití mikrovlnného výkonu neodporúčame použiť kovový riad. Spôsobí iskrenie, čo môže spôsobiť požiar.
Alobal Nádoby z fólie	✓ / ✗	✓	Malé kúsky alobalu môžete použiť na ochranu jedla pred prehriatím. Alobal dajte aspoň 2,54 cm od stien rúry, inak môže dôjsť k iskreniu. Pokiaľ to výrobca neodporúča, nepoužívajte fóliové nádoby (napr. fóliu Microfoil®). Dodržiavajte pokyny výrobcu.
Príľnavý film	✓	✗	Nemal by sa dotýkať jedla a musíte ho prepichnúť, aby mohla unikať para.
Plast/polystyrén, napr. nádoby z rýchleho občerstvenia	✓	✗	Je treba dávať pozor, pretože sa pri vysokých teplotách niektoré nádoby deformujú, roztavia alebo stratia farbu.
Vrecúška do mrazničky/na pečenie	✓	✗	Musíte ich prepichnúť, aby mohla unikať para. Uistite sa, či sú vrecká vhodné do mikrovlnnej rúry.
Papierové taniere/sálky a kuchynský papier	✓	✗	Nepoužívajte plastové ani kovové spony, mohli by sa roztaviť alebo vznietiť vplyvom iskrenia kovu.
Slamené a drevené nádoby	✓	✗	Používajte ich len pri zohrievaní alebo na absorpciu vlhkosti. Treba dávať pozor, prehriatie môže spôsobiť požiar.
Recyklovaný papier a noviny	✗	✗	Pri použití týchto materiálov vždy dozerajte na rúru, prehriatie totiž môže spôsobiť požiar. Môže obsahovať výťažky z kovov, čo spôsobí iskrenie a môže viesť k požiaru.



VÝSTRAHA: Keď pri ohreve pokrmov používate plastové alebo papierové nádoby, nenechávajte rúru nikdy bez dozoru. Mohlo by dôjsť k vznieteniu.

POZNÁMKA: Počas používania nenechávajte rúru bez dozoru.

RADY OHĽADOM VARENIA V MIKROVLNNEJ RÚRE

Pokrm sa v mikrovlnných rúrach pripraví rýchlejšie ako pri tradičnom varení. Preto treba na zaistenie dobrých výsledkov dodržiavať určité techniky. Mnoho z uvedených techník sa podobá tým, ktoré sa používajú pri tradičnom varení.



VÝSTRAHA: Pokrm v tekutej ani inej podobe sa nesmú ohrievať v uzavretých nádobách, ani v nádobách s vekom. Vnútri sa nahromadí tlak, čo môže spôsobiť výbuch nádoby.

RADY OHĽADOM VARENIA:

- Počas používania rúry na ňu vždy dávajte pozor.
- Uistite sa, či je riad vhodný na použitie v mikrovlnnej rúre.
- Na výrobu pukancov v mikrovlnnej rúre použite len špeciálne balené pukance (postupujte podľa pokynov výrobcu). Nikdy nepoužívajte olej, pokiaľ to nie je uvedené v pokynoch výrobcu a nikdy nevarte dlhšie ako je uvedené v pokynoch.



VÝSTRAHA: Ak prekročíte odporúčané doby prípravy alebo stupne výkonu, jedlo sa môže prehriať, spáliť a v extrémnych prípadoch sa môže vznietiť a poškodiť rúru.

Usporiadanie

Umiestnite najhrubšie časti pokrmu (napr. kuracie stehná) smerom von z taniera.

Na pokrmy umiestnené smerom von z taniera bude pôsobiť viac energie, takže sa uvaria rýchlejšie ako časti umiestnené v strede.

Prikrytie

Niektoré pokrmy je lepšie počas varenia v mikrovlnnej rúre prikryť.

Používajte vetraný prílnavý film do mikrovlnnej rúry alebo vhodné veko.

Prepichnutie

Pokrmy so škrupinou, šupkou, kožou alebo blanou (napr. zemiaky, ryby, kurča, párky) musíte pred varením alebo ohrevom na viacerých miestach prepichnúť, inak sa v nich nahromadí para, čo môže spôsobiť výbuch jedla.

POZNÁMKA: Vajcia by sa nemali ohrievať pomocou mikrovlnnej energie, pretože by mohli explodovať, a aj po ukončení varenia. napr. pošírované, vyprážené, uvarené natvrdo.

Premiešanie, otočenie a preusporiadanie

Pre rovnomerné uvarenie musíte pokrm počas varenia premiešať, otáčať a premiestňovať. Vždy miešajte a premiestňujte smerom z von k stredu.

Odstátie

Po varení je potrebné nechať jedlo odstáť, aby sa teplo rovnomerne rozmiestnilo v jedle.

Charakteristiky jedál	
Zloženie	Na prípravu pokrmov s vysokým obsahom cukru (napr. vianočné pečivo alebo koláče) je potrebné menšie množstvo času na ohrev. Musíte dávať pozor, prehriatie môže spôsobiť požiar. Kosti v jedle vedú teplo, vďaka čomu sa jedlo uvarí rýchlejšie. Musíte dávať pozor, aby sa jedlo uvarilo rovnomerne.
Hustota	Hustota jedla má vplyv na potrebnú dobu varenia. Ľahké porézne jedlá, ako sú koláče alebo chlieb, sa uvaria rýchlejšie ako hutnejšie jedlá, ako sú pečené mäso a jedlo v rajnici.
Množstvo	Množstvo mikrovln je rovnaké, nezávisí od toho, koľko jedla sa varí. Čím viac jedla dáte do mikrovlnnej rúry, tým dlhšia musí byť doba prípravy jedla. Napríklad príprava štyroch zemiakov trvá dlhšie ako príprava dvoch.
Veľkosť	Malé jedlá a malé množstvá sa uvaria rýchlejšie ako väčšie množstvá, pretože mikrovlny môžu preniknúť zo všetkých strán do stredu. Na dosiahnutie rovnomerného uvarenia majte všetky kúsky rovnako veľké.
Tvar	Príprava pokrmov nepravidelných tvarov (napríklad kuracie prsia alebo stehná) trvá v hrubších častiach dlhšie. Na dosiahnutie rovnomerného uvarenia umiestnite najhrubšie časti smerom von z taniera, kde na nich bude pôsobiť viac energie. Pri varení v mikrovlnnej rúre sa jedlá pravidelných tvarov uvaria rovnomernejšie ako jedlá štvorcového tvaru.
Teplota jedla	Počiatočná teplota jedla má vplyv na množstvo času potrebného na uvarenie jedla. Uvarenie chladených jedál trvá dlhšie ako uvarenie jedál s izbovou teplotou. Teplota nádoby nemusí byť rovnaká ako teplota jedla alebo nápoja. Pokrmu s náplňou (napríklad buchty s lekvárom) nakrojte, aby sa uvoľnilo teplo alebo para.



VÝSTRAHA: Tvár a ruky: Pri vyberaní jedla alebo riadu z rúry používajte vždy rukavice na pečenie. Pri otváraní dvierok udrzte dostatočný odstup, počkajte, kým sa rozptýlia teplo a para. Pri odstraňovaní pokrývok (napríklad príľnavého filmu), otváraní vrecúšok na pečenie alebo balenia pukancov smerujte paru smerom od tváre a rúk.



VÝSTRAHA: Skontrolujte teplotu jedla a nápojov a pred servírovaním ich premiešajte. Pri podávaní jedla malým deťom, deťom alebo starším osobám si dávajte väčší pozor. Obsah sacích fliaš a nádob s detskou výživou sa musí pred použitím zamiešať, príp. pretrepať, aby ste sa vyvarovali popáleninám. Pred konzumáciou tiež musíte skontrolovať teplotu.

RADY OHĽADOM ROZMRAZOVANIA

Rozmrazovanie jedla pomocou mikrovlnnej rúry je najrýchlejší spôsobom rozmrazovania. Je to jednoduché, ale na zaistenie dôkladného rozmrazenia jedla musíte dodržiavať nasledujúce pokyny.

- Pred rozmrazovaním odstráňte všetky baliace materiály.
- Na rozmrazenie jedla použite stupne mikrovlnného výkonu P-20 až P-40.
- Prečítajte si ďalšie informácie uvedené nižšie.

Preusporiadanie

Pokrmu umiestnené smerom von z taniera sa rozmrazia rýchlejšie ako pokrmu v strede. Preto je dôležité, aby ste počas rozmrazovania jedlo premiestnili (niekedy aj 4-krát).

Presuňte zovreté časti z vonkajšej strany do stredu a preusporiadajte prekryvajúce sa časti.

Tak zaručíte, že sa všetky časti jedla rozmrazia rovnomerne.

Rozdelenie

Pri vybratí pokrmov z mrazničky môžu byť k sebe prilepené. Pri rozmrazovaní je dôležité, aby ste pokrmu oddelili hneď ako to bude možné.

Týka sa to napr. plátkov slaniny alebo kuracích rezňov.

Tienenie

Niektoré oblasti rozmrazovaných pokrmov sa môžu zahriať. Aby ste zabránili ich zohriatiu a začatiu varenia, môžete tieto časti prekryť malými kúskami alobalu, ktorý odráža mikrovlny. Týka sa to napríklad kuracích nôh a krídel.

Odstátie

Je potrebné nechať jedlo odstáť, aby sa dôkladne rozmrazilo.

Rozmrazovanie jedla po jeho vybratí z mikrovlnnej rúry ešte nie je dokončené. Jedlo musíte nechať odstáť. Prikryte ho a nechajte ho odstáť po dobu potrebnú na úplné rozmrazenie stredu.

Pretočenie

Je dôležité, aby ste počas rozmrazovania všetky pokrmu pretočili až 4 razy.

Tým zaručíte dôkladné rozmrazenie.

RADY OHĽADOM OPÄTOVNÉHO OHREUV

Pri opätovnom ohreve jedál postupujte podľa nižšie uvedených rád a pokynov, aby ste pred servírovaním zaistili dôkladné zohriatie jedla.

Hotové jedlá

Odstráňte hydinu a mäso, zohrejte ich samostatne. Pozrite si nižšie uvedený text.

Menšie časti jedál umiestnite do stredu taniera a väčšie a hrubšie časti umiestnite na okraj. Prekryte vetranou príľnavou fóliou do mikrovlnnej rúry a zohrejte s výkonom P-50, v polovici ohrevu premiešajte/premiestnite.

POZNÁMKA: Pred servírovaním sa uistite, či je jedlo dôkladne zohriate.

Mäso nakrájané na plátky

Prekryte vetranou príľnavou fóliou do mikrovlnnej rúry a zohrejte s výkonom P-60. Aspoň raz premiestnite, aby ste zaistili rovnomerné ohriatie.

POZNÁMKA: Pred servírovaním sa uistite, či je mäso dôkladne zohriate.

Časti hydiny

Umiestnite najhrubšie časti smerom von z taniera, prekryte vetranou príľnavou fóliou do mikrovlnnej rúry a zohrejte s výkonom P-70.

V polovici ohrevu pretočte.

POZNÁMKA: Pred servírovaním sa uistite, či je hydina dôkladne zohriata.

Jedlo v rajnici

Prekryte vetranou príľnavou fóliou do mikrovlnnej rúry alebo vhodným vekom a zohrejte s výkonom P-50.

Často premiešajte, aby ste zaistili rovnomerné ohriatie.

POZNÁMKA: Pred servírovaním sa uistite, či je jedlo dôkladne zohriate.

Na dosiahnutie najlepších výsledkov pri opätovnom ohreve zvolte stupeň mikrovlnného výkonu vhodný pre daný typ jedla. Napríklad misku zeleniny môžete zohriať s výkonom P-100, zatiaľ čo lazane, ktoré obsahujú prísady, ktoré sa nedajú miešať, treba zohriať s výkonom P-40.

POZNÁMKY:

- Pred zohriatím odstráňte pokrm z fólie alebo kovových nádob.
- Doba ohrevu závisí od tvaru, hĺbky, množstva a teploty jedla. Záleží aj na veľkosti, tvare a materiáli nádoby.



VÝSTRAHA: Nikdy nezohrievajte tekutiny v nádobách s úzkym hrdlom, mohlo by dôjsť k erupcii obsahu z nádoby, čo by mohlo spôsobiť popáleniny.

- Aby ste sa vyvarovali prehriatiu a požiaru, mali by ste postupovať veľmi obozretne najmä vtedy, keď sa ohrievajú potraviny s obzvlášť vysokým obsahom cukru alebo tuku, napr. koláče.
- Nikdy nezohrievajte olej ani tuk na fritovanie, mohlo by dôjsť k prehriatiu a požiaru.
- Konzervované zemiaky by ste nemali zohrievať v mikrovlnnej rúre. Postupujte podľa pokynov výrobcu uvedených na konzerve.



VÝSTRAHA: Obsah sacích fliaš a nádob s detskou výživou sa musí pred použitím zamiešať, príp. pretrepať, aby ste sa vyvarovali popálenín. Pred konzumáciou tiež musíte skontrolovať teplotu.

RIEŠENIE PROBLÉMOV

Ak si myslíte, že rúra nefunguje správne, môžete skôr, ako zavoláte technika, vykonať niekoľko jednoduchých kontrol. Tým zabránite nepotrebnému privolaniu servisu v prípade, že je porucha niečo jednoduché.

Postupujte podľa tohto jednoduchého postupu kontroly:

Na otočný tanier umiestnite pol šálky vody a zatvorte dvierka. Nastavte časovač na 1 minútu varenia s použitím stupňa mikrovlnného výkonu P-100.

1. Svieti žiarovka v rúre počas varenia?
2. Funguje chladiaci ventilátor? (Skontrolujte položením svojej ruky nad otvory výfuku ventilátora.)
3. Zaznel po jednej minúte zvukový signál?
4. Je voda v šálke horúca?

Ak ste na niektorú otázku odpovedali „NIE“, najprv skontrolujte, či je rúra správne zapojená, a či nie je vyhorená poistka. Ak je rúra zapojená a poistka nie je vyhorená, pozrite si nižšie uvedenú tabuľku riešenia problémov.



VÝSTRAHA: Za žiadnych okolností nevykonávajte úpravy, opravy ani zmeny mikrovlnnej rúry sami. Pre iné osoby ako sú školení technici spoločnosti SHARP je nebezpečné vykonávať servis alebo opravy. Toto je dôležité, keďže môže byť potrebné odstránenie krytov, ktoré poskytujú ochranu pred mikrovlnnou energiou.

- Tesnenie dvierok bráni úniku mikrovln počas prevádzky, ale nie je to vzduchotesné tesnenie. V okolí dvierok rúry sa môžu vyskytovať kvapky vody, svetlo a teplý vzduch. Toto je normálne. Jedlo s veľkým obsahom vlhkosti uvoľní paru a spôsobí kondenzáciu kvapiek vo vnútri dvierok, ktoré môžu z rúry kvapkať.
- Opravy a úpravy: Nepokúšajte sa prevádzkovať rúru, ak nefunguje správne.
- Vonkajší kryt a prístup k žiarovke: Nikdy neodstraňujte vonkajší kryt. Je to veľmi nebezpečné, pretože nikdy nesmie dôjsť ku kontaktu s dielmi pod vysokým napätím vo vnútri. Mohlo by to byť fatálne. Vaša rúra nemá kryt prístupu k žiarovke. Ak sa žiarovka poškodí, nepokúšajte sa sami vymeniť žiarovku, zavolajte servis spoločnosti SHARP.

TABUĽKA RIEŠENIA PROBLÉMOV

PROBLÉM	ODPOVEĎ
V okolí dvierok cirkuluje prievan.	Keď rúra pracuje, v interiéri cirkuluje vzduch. Dvierka nie sú vzduchotesne utesnené, takže z dvierok môže unikať vzduch.
V rúre kondenzujú kvapky a môžu z dvierok kvapkať.	Interiér rúry je štandardne studenší ako varené jedlo, takže para, ktorá sa tvorí, bude na studenom povrchu kondenzovať. Množstvo vyprodukovanej pary závisí od množstva vody vo varenom jedle. Niektoré potraviny, ako sú zemiaky, majú vysoký obsah vlhkosti. Kondenzácia na skle dvierok by po niekoľkých hodinách mala zmiznúť.
V interiéri počas varenia dochádza k blýskaniu alebo iskreniu.	K iskreniu dochádza, keď sa kovový predmet počas varenia dostane do blízkosti interiéri rúry. Vplyvom toho môže dôjsť k zdrsneniu povrchu interiéri, ale inak sa rúra nepoškodí.
Iskrenie zemiakov.	Zaistite, aby boli zo zemiakov odstránené všetky „očká“ a že sú zemiaky poprepichované, dajte ich priamo na otočný tanier do teplovzdorného riadu alebo podobne.
Pri používaní rúry v režime iba grilovania si môžete všimnúť, že ohrevné teleso sa nezdá byť stále zapnuté.	Je to preto, lebo grilovacie teleso sa zapína a vypína, aby udržalo teplotu v rúre na nastavenej úrovni.
Pri používaní grilu v kombinovanom režime sa nezdá, že je zapnutý.	Počas režimu kombinovaného varenia (mikrovlny a gril) rúra prepína medzi týmito dvoma funkciami. Funkcie mikrovlnnej rúry a grilu nebudú zapnuté súčasne.
Rúra nefunguje, keď je stlačené tlačidlo ŠTART/RÝCHLY ŠTART.	Skontrolujte, či sú dobre zatvorené dvierka.
Rúra varí príliš pomaly.	Skontrolujte, či ste vybrali správny stupeň výkonu.
Rúra hučí.	Keď sa mikrovlnná energia zapína a vypína, môžete počuť bzučanie, čo je normálne.
Po skončení varenia rúra hučí alebo sa zdá, že je stále v prevádzke.	Na konci cyklu varenia môže ventilátor zostať zapnutý niekoľko minút, aby sa rúra ochladila. Je to normálne.
Vonkajší kabinet je horúci.	Kabinet môže byť horúci na dotyk – udrzte mimo dosahu detí.
Po stlačení tlačidla sa na displeji zobrazí „LoC“ (Zámok).	Po 30 sekundách prejde rúra do režimu uzamknutia v dôsledku čoho nebude fungovať žiadne z tlačidiel. Otvorte a zatvorte dvierka a tlačidlá budú opäť funkčné. Skontrolujte tiež, či jednotka nie je v režime uzamknutia.
Na displeji sa zobrazí „Fail“ (Porucha) a každú minú sa z rúry ozve pípnutie.	Stane sa to, ak sú tlačidlá na ovládacom paneli stlačené nepretržite dlhšie ako 1 minútu. Odpojte rúru na niekoľko minút od elektrickej siete a znova ju pripojte.
Rúra pípne každých 30 sekúnd.	Po skončení varenia a neotvorení dvierok sa každých 30 sekúnd ozve pípnutie. Ak to chcete zastaviť, otvorte a potom zatvorte dvierka.

PRED ZAVOLANÍM NA LINKU POMOCI

Pred požiadaním o servis skontrolujte všetky položky uvedené nižšie:

- Skontrolujte, či je rúra bezpečne zapojená. Ak nie, vytiahnite zástrčku z elektrickej zásuvky, počkajte 10 sekúnd a znova ju bezpečne zapojte.
- Skontrolujte, či nie je prepálená poistka obvodu alebo či nie je vypnutý hlavný istič. Ak sa zdá, že fungujú správne, otestujte zásuvku pomocou iného spotrebiča.
- Skontrolujte, či sú regulátory napájania a časovača správne nastavené.
- Skontrolujte, či sú dvere bezpečne zatvorené a či je zapnutý systém bezpečnostného zámku dverí. V opačnom prípade nebude mikrovlnná energia prúdiť do rúry.

AK ŽIADNE VYŠŠIE NAVRHNUTÉ RIEŠENIA NENAPRAVIA SITUÁCIU, POTOM KONTAKTUJTE KVALIFIKOVANÉHO TECHNIKA. NEPOKOUŠAJTE SA SAMI RÚRU UPRAVOVAŤ ANI OPRAVOVAŤ.



Pozor:

Na izdelku je posebna oznaka, ki pomeni, da rabljenih električnih in elektronskih izdelkov ne smete odlagati skupaj z ostalimi gospodinjstvi odpadki. na koncu življenjske dobe jih morate dostaviti v center za ločeno zbiranje.



www.sharpconsumer.com/contact/



www.sharpconsumer.com/support/



www.sharpconsumer.com/documents-of-conformity/

A. Informacije o odlaganju za uporabnike (zasebna gospodinjstva)

1. V Evropski uniji

Pozor: Izdelka ne odlagajte v običajni zbiralnik za odpadke! Uporabljeno električno in elektronsko opremo je treba obravnavati ločeno in v skladu z zakonodajo, ki zahteva ustrezno obravnavanje, ponovno uporabo in recikliranje uporabljenih električnih in elektronskih opreme. Zasebna gospodinjstva v EU lahko uporabljeno električno in elektronsko opremo brezplačno odložijo na označena zbirna mesta*.

V nekaterih državah* lahko star izdelek brezplačno prevzame tudi prodajalec, če kupite podoben nov izdelek.

*) Za več informacij se obrnite na lokalno upravo.

Če so v vaši rabljeni električni ali elektronski opremi baterije, jih odlagajte ločeno in upoštevajte lokalne predpise.

S pravilnim odlaganjem izdelka boste pripomogli k pravilni obravnavi, obnovi in reciklaži odpadkov ter preprečili potencialne negativne učinke na okolje in človeško zdravje, ki bi se zaradi nepravilnega ravnanja z odpadki zagotovo pojavili.

2. V državah zunaj EU

Če želite izdelek odvreči, se obrnite na lokalni upravni organ in se pozanimajte o pravilnem načinu odlaganja.

Za Švico: uporabljeno električno ali elektronsko opremo lahko brezplačno vrnete prodajalcu, tudi če ne kupite novega izdelka. Ostala zbirna mesta so navedena na spletni strani www.swico.ch ali www.sens.ch.

B. Informacije o odlaganju za poslovne uporabnike

1. V Evropski uniji

Če izdelek uporabljate v poslovne namene in ga želite odvreči:

Obrnite se na vašega prodajalca SHARP, ki vas bo obvestil o vračilu izdelka. Lahko pride do stroškov, ki izhajajo iz vračila in recikliranja izdelka. Majhne izdelke (in majhne količine) lahko sprejmejo vaša lokalna zbirna mesta.

Za Španijo: za vračilo uporabljenih izdelkov se obrnite na uveljavljeni zbirni sistem ali lokalni upravni organ.

2. V državah zunaj EU

Če želite izdelek odvreči, se obrnite na lokalni upravni organ in se pozanimajte o pravilnem načinu odlaganja.

VARNOSTNI UKREPI ZA IZOGIBANJE MOŽNI IZPOSTAVLJENOSTI MIKROVALOVNI ENERGIJI

1. Te pečice ne poskušajte uporabljati z odprtimi vrati, saj to lahko vodi do škodljive izpostavljenosti mikrovalovni energiji, zato je pomembno, da so varnostni zaklepi brezhibni.
2. Med sprednjo površino pečice in vrata ne vstavljajte nobenih predmetov in ne pustite, da se na tesnilnih površinah nabirajo smeti ali ostanki čistil.
3. Pečice ne uporabljajte, če je poškodovana. Pravilno zapiranje vrat vrata pečice je zelo pomembno, tako kot nepoškodovanost vrat, tečajev, zatičev ali tesnil vrat in tesnilnih površin.
4. Pečice ne poskušajte popravljati ali nastavljati.

VSEBINA

POMEMBNA VARNOSTNA NAVODILA	3
NAMESTITEV	10
RADIJSKE MOTNJE.....	11
NAVODILA ZA OZEMLJITEV	11
SPECIFIKACIJE	11
PEČICA IN PRIPOMOČKI	12
NADZORNA PLOŠČA	13
PRED UPORABO PEČICE	14
NASTAVLJANJE URE	14
KUHANJE Z MIKROVALOVI	15
HITRI ZAGON.....	16
KUHANJE Z ŽAROM*	16
MIKROVALOVI + ŽAR*	16
AVTO MENI.....	17
SAMODEJNO ODTAJEVANJE.....	20
SAMODEJNO POGREVANJE*	20
KUHINJSKI ČASOVNIK	21
VARČEVANJE Z ENERGIJO.....	21
FUNKCIJA IZKLOPA ZVOKA	22
VARNOSTNO ZAKLEPANJE	22
VARNOSTNA KLJUČAVNICA.....	22
ČIŠČENJE IN NEGA.....	23
PRIMERNA OPREMA PEČICE	24
NASVET ZA KUHANJE Z MIKROVALOVI.....	25
NASVET ZA ODTAJEVANJE	27
NASVET ZA POGREVANJE.....	28
ODPRAVLJANJE NAPAK.....	29
PRED KLICANJEM PODPORE.....	31

* - Samo za modele z žarom.

POMEMBNA VARNOSTNA NAVODILA

POZORNO PREBERITE IN SHRANITE ZA REFERENCO V BODOČNOSTI.

Da ne pride do nevarnosti ognja, mikrovalovne pečice med obratovanjem ne puščajte brez nadzora. Previsoka moč ali predolg čas kuhanja lahko hrano pregrejejo in povzročijo ogenj.

Pečica je zasnovana samo za uporabo na kuhinjskem pultu. Ni namenjena vgradnji v kuhinjsko enoto. Pečice ne postavljajte v omarico. Električna vtičnica mora biti prosto dosegljiva, tako da lahko napravo v primeru nevarnosti preprosto odklopite.

Električno napajanje izmeničnega toka mora biti 230–240 V, 50 Hz z najmanj 10 A varovalko na napajalnem kablu ali najmanj 10 A tokovnim prekinjalom. Priporočamo, da zagotovite ločen električni tokovod, ki bo napajal samo mikrovalovno pečico.

Pečice ne postavljajte na prostore z viri toplote, kot na primer v bližino običajne pečice.

Mikrovalovne pečice ne postavljajte v prostore z visoko vlago ali kjer bi se lahko nabirala vlaga. Pečice niti ne shranjujte niti ne uporabljate zunaj.

Če opazite dim, pečico izklopite ter pustite vrata zaprta, da se ogenj zaduši.

Za pripravo hrane uporabljajte le posode, varne za uporabo v mikrovalovni pečici. Pred uporabo posode preverite, če so primerne za uporabo v mikrovalovni pečici. Ko hrano segrevate v plastičnih ali papirnatih posodah, pazite na pečico, saj obstaja nevarnost vžiga.

Po uporabi očistite pokrov magnetrona in notranjost pečice. Te površine morajo biti suhe in nemastne. Naložena maščoba se lahko pregreje in se kadi ali pa vžge.

V bližino pečice ali prezračevalnih odprtih ne postavljajte vnetljivih materialov. Ne blokirajte prezračevalnih odprtih.

S hrane in embalaže odstranite vse kovinske sponke, žice itd. Iskrenje kovinskih površin lahko povzroči ogenj.

Mikrovalovne pečice ne uporabljajte za pogrevanje olja ali cvrtja. Temperature ni mogoče nadzorovati in olje se tako lahko vžge.

Za pripravo pokovke uporabljate le posebno pokovko, ki je primerna za uporabo v mikrovalovni pečici.

V pečici ne shranjujte hrane ali drugih stvari.

Po vklopu pečice preverite nastavitve, da se prepričate, da pečica obratuje tako kot želite.

Ko je pečica vključena, je ne smete pustiti nenadzorovane.

Da preprečite pregrevanje in ogenj, morate biti še posebej pozorni pri kuhanju ali pogrevanju hrane z visokim deležem sladkorja ali maščobe, na primer meso v testu, pite ali božični puding. Glejte ustrezne napotke v navodilih za uporabo.

Da se izognete tveganjem za poškodbe. OPOZORILO:

Ne uporabljajte pečice, če je poškodovana ali okvarjena. Pred uporabo preverite naslednje:

- a) Prepričajte se, da so vrata pravilno zaprta in da niso povešena ali zvita.
- b) Preverite in prepričajte se, da varnostni zatiči vrat niso zlomljeni ali odviti.
- c) Prepričajte se, da tesnila vrat in tesnilne površine niso poškodovane.
- d) Prepričajte se, da v prostoru za kuhanje ali na vratih ni vdrtin.
- e) Prepričajte se, da napajalni kabel in vtič nista poškodovana.

Če so vrata ali tesnila vrat poškodovana, ne smete uporabljati

pečice, dokler je ne popravi usposobljen serviser.

Nikoli sami ne prilagajajte, popravljajte ali spreminjajte pečice. Servis ali popravilo, ki vključuje odstranjevanje pokrova, ki ščiti pred izpostavljenostjo pred mikrovalovno energijo, lahko izvede le pooblaščen serviser.

Pečice ne uporabljajte pri odprtih vratih in ne spreminjajte varnostnih zatičev vrat. Ne uporabljajte pečice, če se med tesnili vrat in tesnilnimi površinami nahaja kakršenkoli predmet.

Ne dovolite, da bi se na vratnem tesnilu in ob njem začela kopičiti maščoba in nečistoča. Pečico redno čistite in odstranjujte ostanke hrane.

Sledite navodilom poglavja »Nega in čiščenje«. Slabo vzdrževanje pečice in zanemarjanje lahko povzročita površinske poškodbe, ki znatno vplivajo na življenjsko dobo naprave, hkrati pa lahko povzročijo nevarne situacije.

Osebe s SRČNIM SPODBUJEVALNIKOM naj se o previdnostnih ukrepih glede uporabe mikrovalovne pečice posvetujejo s svojim zdravnikom ali proizvajalcem spodbujevalnika.

Da se izognete nevarnostim električnega udara.

- Pod nobenimi pogoji ne odstranjujte zunanega pokrova.
- V odprtino zaklepa vrat ali prezračevalne odprtine ne zlivajte ničesar in ne vstavljajte nobenih predmetov. Če pride do razlitja, nemudoma izklopite pečico in izvlecite vtič ter pokličite pooblaščenega serviserja SHARP.
- Napajalnega kabla ali vtiča ne potaplajte v vodo ali druge tekočine.
- Napajalni kabel naj ne visi preko roba mize ali delovne površine.
- Napajalnega kabla ne približujte vročim površinam, vključno s hrbtno stranjo pečice.
- Naprava naj bo nameščena izven dosega otrok, mlajših od 8 let.

- Lučke pečice ne menjajte sami in ne dovolite, da bi lučko menjal kdor koli, razen pooblaščen električar podjetja SHARP. Če se lučka pečice pokvari, se posvetujte s pooblaščenim servisom SHARP.
- Če je napajalni kabel poškodovan, ga mora zamenjati pooblaščen serviser Sharp

OPOZORILO: tekočin in drugih živil ni dovoljeno segrevati v zaprtih posodah, saj lahko eksplodirajo. Segrevanje pijač z mikrovalovi lahko povzroči zapoznelo eruptivno vretje, zato je pri rokovanju s posodami, ki vsebujejo tekočine, potrebna posebna previdnost. Da se izognete nevarnosti eksplozije pri intenzivnem vrenju:

Nikoli ne uporabljajte zaprtih posod. Pred uporabo odstranite tesnila in pokrove. Zaprte posode lahko eksplodirajo, saj se v njih nabere tlak, tudi ko je pečica že izklopljena. Bodite še posebej pozorni, ko z mikrovalovi segrevate tekočine. Uporabite široko posodo, da lahko mehurčki izhajajo.

Tekočin nikoli ne segrevajte v ozkih posodah, kot so otroške stekleničke, saj lahko to povzroči, da vsebina ob segretju izbruhne iz posode in povzroči opekline.

Da preprečite nenadne izbruhe vrele tekočine in morebitne oparine:

1. Hrane ne segrevajte predolgo.
2. Pred segrevanjem/pogrevanjem tekočino premešajte.
3. V tekočino med pogrevanjem vstavite stekleno cevko ali podoben pripomoček (ne kovinski).
4. Naj tekočina v pečici stoji najmanj 20 sekund po koncu kuhanja, da preprečite eruptivno vretje.

Ne kuhajte jajc v lupini. Celih trdo kuhanih jajc ne pogrevajte v mikrovalovni pečici, saj po koncu kuhanja lahko eksplodirajo. Za kuhanje ali pogrevanje jajc, ki niso

razžvrkljana, predrite rumenjak in beljak, sicer lahko jajce eksplodira. Trdo kuhana jajca pred pogrevanjem v mikrovalovni pečici olupite in narežite.

Pred pripravo hrane predrite kožo živil, kot so krompir, klobase in sadje, sicer lahko počijo.

OPOZORILO: vsebino otroških stekleničk in kozarčkov otroške hrane je treba pred uporabo premešati ali pretresti ter preveriti temperaturo, sicer lahko pride do opeklin. Ko hrano vzemate iz pečice, uporabljajte držala za lonce ali kuharske rokavice, da preprečite opekline. Da se izognete tveganjem za opekline:

- Posode, pokovko ali vrečke za pripravo hrane v pečici vedno odpirajte stran od obraza in rok, da se izognete oparinam in izbruhu vrele tekočine. Da preprečite opekline, vedno preizkusite temperaturo hrane in hrano premešajte, preden jo postrežete, še posebej pa pazite na temperaturo hrane in pijače, namenjene dojenčkom, otrokom in starejšim. Med uporabo se stične površine posode lahko segrejejo. Otrokom ne dovolite, da se dotikajo posode.
- Temperatura posode ni pravi pokazatelj temperature hrane ali pijače; vedno preverite temperaturo hrane.
- Ko odpirate vrata, se vedno umaknite nazaj, da preprečite opekline zaradi izhajajoče pare in vročine.
- Pečeno hrano po segrevanju narežite, da lahko para uide, saj boste tako preprečili nevarnost opeklin.
- Otrokom ne dovolite odpiranja vrat, saj se lahko opečejo.

OPOZORILO: Otroci, starejši od 8 let, lahko pečico brez nadzora uporabljajo le, če ste jih o uporabi dovolj poučili, tako da lahko otroci pečico uporabljajo na varen način in razumejo nevarnosti neprimerne uporabe.

Če pečica deluje v načinu ŽAR, KOMBINIRANO ŽAR, KONVEKCIJA, MEŠANA KONVEKCIJA in AVTO MENI

(odvisno od modela), lahko otroci pečico uporabljajo le pod nadzorom odraslih, saj pri tem prihaja do visokih temperatur.

Naprava ni namenjena uporabi s strani oseb (vključno z otroki) z zmanjšanimi fizičnimi, senzoričnimi in duševnimi sposobnostmi, ali brez izkušenj in znanja, razen če jih je o uporabi naprave poučila oseba, ki je odgovorna za njihovo varnost.

Otroke nadzorujte in tako zagotovite, da se z napravo ne bodo igrali. Spremljati je treba čiščenje, ki ga izvajajo otroci.

Modeli z elektronsko ploščo na dotik so opremljeni z načinom varnostne ključavnice.

Ne naslanjajte se na vrata pečice. Ne igrajte se s pečico in je ne uporabljajte kot igračo.

Otroke poučite o vseh pomembnih varnostnih navodilih: uporaba držal za lonce, previdno odstranjevanje pokrovov, pozornost glede embalaže (npr. materiali, ki se samodejno segrevajo), ki je namenjena posebni zapečenosti hrane, saj se lahko izjemno segreje.

Druga opozorila

Nikoli ne spreminjajte oblike in funkcionalnosti pečice.

Pečice med obratovanjem ne premikajte.

Ta pečica je namenjena samo uporabi v gospodinjstvih, torej domači pripravi hrane za kuhanje hrane in segrevanje pijač. Sušenje hrane ali oblačil in segrevanje grelnih blazinic, obutve, kuhinjskih pripomočkov in podobnega lahko vodi do poškodb ali požara. Ni je dovoljeno uporabljati v komercialne ali laboratorijske namene.

Za uporabo pečice brez težav in preprečevanje poškodb.

Nikoli ne uporabljajte prazne pečice. Ko uporabljate posodo za posebno zapečenost hrane ali material, ki se samodejno segreva, na dno vedno postavite izolirni material, ki je odporen na vročino, kot je porcelanast krožnik, da preprečite poškodbe podnožja pečice zaradi vročine. Ne presegajte časa za segrevanje, ki ga navajajo navodila za uporabo posode.

Ne uporabljajte kovinskih pripomočkov, ki odbijajo mikrovalove in lahko povzročijo iskrenje. V pečico ne postavljajte pločevink.

Da preprečite zlom podnožja ali vrtljivega krožnika pečice:

- a) Pred čiščenjem z vodo pustite, da se ohladi.
- b) Na hladno podnožje/vrtljivi krožnik pečice nikoli ne postavljajte vročih ali hladnih posod ali živil.
- c) Med delovanjem pečice nanjo ničesar ne postavljajte.

OPOMBA:

Ne uporabljajte plastičnih posod za kuhanje z mikrovalovi, če je pečica še vedno vroča po uporabi kombinacijskega načina (odvisno od pečice), saj se posoda lahko stopi.

Plastičnih posod ni dovoljeno uporabljati pri prej navedenih načinih obratovanja, razen če proizvajalec posode to izrecno navede.

Če niste prepričani, kako priklopiti pečico, se posvetujte s pooblaščenim usposobljenim električarjem.

Niti proizvajalec niti prodajalec ne odgovarjata za škodo na pečici ali osebne poškodbe, ki izhajajo iz neupoštevanja postopkov za pravilen električni priklop.

Na stenah pečice ali okoli vratnih tesnil ter tesnilnim površinah se lahko občasno nabere vodna para ali kapljice. To je običajen pojav in ne pomeni, da mikrovalovna pečica pušča ali je okvarjena.

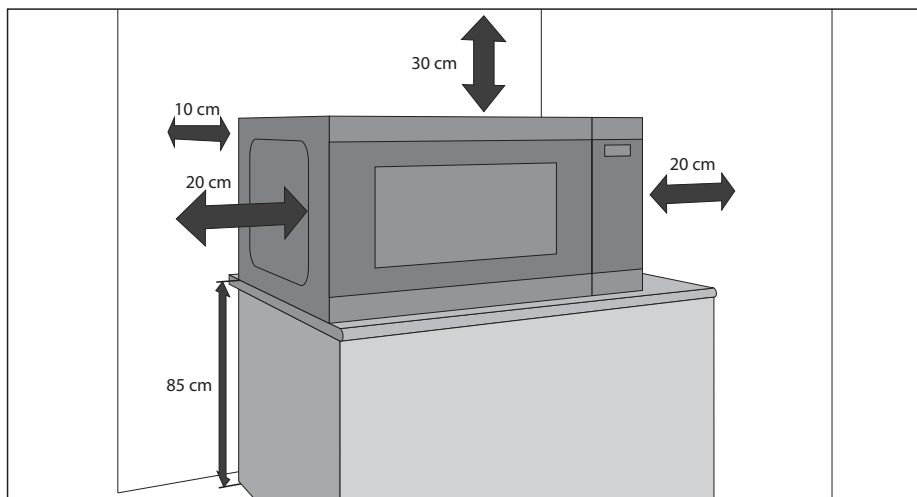
Ta naprava je namenjena uporabi v gospodinjstvih in podobnih okoljih, kot so: kuhinjske površine v prodajalnah, pisarnah in drugih delovnih okoljih; kmečke hiše, v hotelih, motelih in drugih stanovanjskih okoljih; v gostinstvu in turizmu.



Ta simbol pomeni, da se lahko površine med uporabo zelo segrejejo.

NAMESTITEV

1. Iz notranjosti pečice odstranite vso embalažo. Odstranite tudi zaščitno folijo na zunanji strani pečice. Preverite, če je pečica kjerkoli poškodovana.
 2. Pečico skrbno preglejte za morebitne poškodbe.
 3. Pečico postavite na ravno, trdno podlago, ki je dovolj močna za težo pečice in najtežje živilo, ki ga boste v njej kuhali. Pečice ne postavljajte v omarico.
 4. Izberite ravno površino, ki zagotavlja dovolj odprtega prostora za dovod zraka in/ali izhodne odprtine. Glejte sliko na prvi strani. Zadnja stran naprave naj bo obrnjena proti steni.
- Pečica naj bo nameščena najmanj 85 cm nad tlemi.
 - Med pečico in steno ali drugimi predmeti je potrebno pustiti vsaj 20 cm prostora.
 - Nad pečico pustite najmanj 30 cm prostora.
 - Ne odstranite nog iz spodnjega dela pečice.
 - Če so dovod zraka in/ali izhodne odprtine blokirane, lahko pride do poškodb pečice.
 - Pečico postavite čim dlje od radijskih naprav in televizorjev. Delovanje mikrovalovne pečice lahko povzroči motnje v delovanju vašega radia ali televizorja.



5. Vtič pečice varno vklopite v standardno ozemljeno hišno električno vtičnico.

OPOZORILO:

Pečice ne postavljajte na mesta, kjer prihaja do vročine ali visoke vlažnosti, (npr. poleg ali nad običajno pečico) ali poleg vnetljivih materialov (npr. zaves).

Zračne odprtine ne smejo biti blokirane ali ovirane.

Na vrh pečice ne postavljajte predmetov.

Ne dotikajte se zunanosti mikrovalovne pečice med delovanjem ali kmalu po delovanju, saj je vroča.

RADIJSKE MOTNJE

Delovanje mikrovalovne pečice lahko povzroči motnje za vaš radio, televizor ali podobno opremo. Motnje lahko zmanjšate ali izločite z naslednjimi ukrepi:

1. Očistite vrata in notranjost pečice na stičnih mestih.
2. Spremenite smer sprejemne antene radia ali televizorja.
3. Premestite mikrovalovno pečico glede na sprejemnik.
4. Priključite mikrovalovno pečico v drugo vtičnico, da mikrovalovna pečica in sprejemnik nista na istem tokokrogu.

NAVODILA ZA OZEMLJITEV

Ta naprava mora biti ozemljena. Ta pečica je opremljena s kablom z ozemljitveno žico in ozemljenim vtičem. Priključiti ga je treba v stensko vtičnico, ki je ustrezno nameščena in ozemljena. Če pride do kratkega stika, ozemljitev zmanjša nevarnost električnega udara, saj omogoča izhod električnega toka. Priporočamo, da je pečica na ločenem tokokrogu.



OPOZORILO: zaradi nepravilne uporabe ozemljitvenega vtiča lahko obstaja nevarnost električnega udara.

OPOMBA:

1. V primeru vprašanj glede ozemljitve ali električnih navodil se posvetujte z usposobljenim električarjem ali servisierjem.
2. Niti proizvajalec niti prodajalec ne odgovarjata za škodo na pečici ali osebne poškodbe, ki izhajajo iz neupoštevanja postopkov za pravilen električni priključitev.

Omrežni kabel, ki se uporablja v mikrovalovni pečici, ima naslednje barvno kodirane žice:

Zelena in rumena = OZEMLJITEV

Modra = NEVTRALNO

Rjava = FAZA

SPECIFIKACIJE

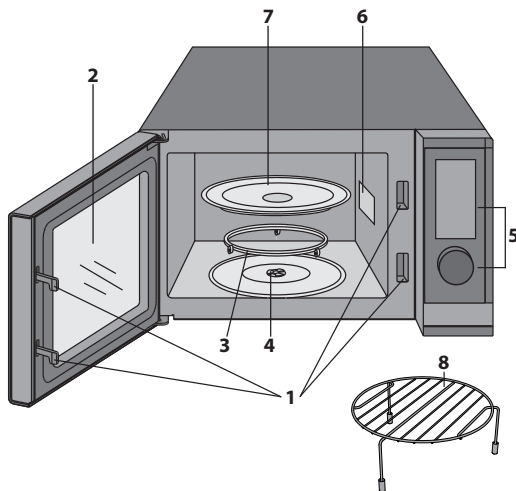
Ime modela:	YC-PS204A	YC-PS234A	YC-PS254A	YC-PG204A	YC-PG234A	YC-PG254A	YC-PG284A
Napajanje z izmeničnim tokom	230–240 V, 50 Hz enofazni						
Varovalka na napajalnem kablu/tokovno prekinjalo	10 A						
Moč:	Mikrovalovi	700 W	900 W	900 W	700 W	900 W	900 W
	Žar			900 W	1000 W	1000 W	1000 W
	Način izklopa	<0,5 W					
	Način za varčevanje z energijo	>0,5 W					
Potrebno napajanje	1200 W	1400 W	1400 W	1400 W	1400 W	1400 W	1400 W
Frekvenca mikrovalov	2450 MHz*						
Zunanje dimenzije (Š) x (V) x (G) mm	455 x 274 x 334	483 x 281 x 377	483 x 281 x 403	455 x 274 x 345	483 x 281 x 395	483 x 281 x 403	539 x 309 x 441
Dimenzije prostora za kuhanje (Š) x (V) x (G)** mm	315 x 198 x 297	340 x 220 x 320	340 x 220 x 344	315 x 198 x 297	340 x 220 x 320	340 x 220 x 344	354 x 220 x 358
Prostornina pečice	20 litrov**	23 litrov**	25 litrov**	20 litrov**	25 litrov**	25 litrov**	28 litrov**
Premier vrtiljega krožnika	245 mm	270 mm	270 mm	245 mm	270 mm	270 mm	325 mm
Velikost rešetke za žar (Š) x (G) mm				190 x 79	80 x 208	80 x 208	89 x 285
Teža	pribl. 10,5 kg	pribl. 12,9 kg	pribl. 13,5 kg	pribl. 10,9 kg	pribl. 13,9 kg	pribl. 13,7 kg	pribl. 16,6 kg
Lučka pečice (LED)	1,5 W						

* - Ta izdelek izpolnjuje zahteve evropskega standarda EN55011. V skladu s tem standardom je izdelek klasificiran kot oprema skupine 2 razreda B. Skupina 2 pomeni, da naprava namenoma proizvaja radio-frekvenčno energijo v obliki elektromagnetnega sevanja za toplotno obdelavo hrane. Oprema razreda B pomeni, da je oprema primerna za uporabo v gospodinjstvu.

** - Notranja prostornina je izračunana z izmero največje širine, globine in višine. Dejanska kapaciteta, na voljo za hrano, je manjša. KER SI PRIZADEVAMO ZA NENEHNE IZBOLJŠAVE, SI PRIDRŽUJEMO PRAVICO, DA LAHKO BREZ PREDHODNEGA OPOZORILA SPREMENIMO ZASNOVO IN SPECIFIKACIJE.

PEČICA IN PRIPOMOČKI

1. Sistem za varnostno zaklepanje vrat
2. Okno pečice
3. Vrtljivi obroč
4. Ležišče krožnika
5. Vrtljivi izbirnik in upravljalni gumbi
6. Pokrov magnetrona (ne odstranjajte)
7. Stekleni pladenj
8. Rešetka za žar za YC-PG204A, YC-PG234A, YC-PG254A in YC-PG284A
9. Odprtine za zračenje
10. Ohišje pečice
11. Napajalni kabel



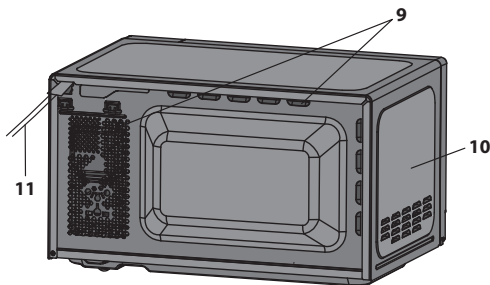
Prepričajte se, da so priloženi naslednji pripomočki:

Samo pečice z žarom:

- **Rešetka za žar** – uporabite samo za funkcijo žara.
- Mrežica je zasnovana samo za uporabo s pečicami z žarom. NE uporabljajte je z mikrovalovi.
- Za uporabo rešetke za žar si oglejte razdelke, ki opisujejo uporabo ŽARA v teh navodilih za uporabo.

Nikoli se ne dotikajte vroče rešetke.


OPOMBA: Ko naročate pripomočke, navedite ime dela in številko modela.



OPOMBE:

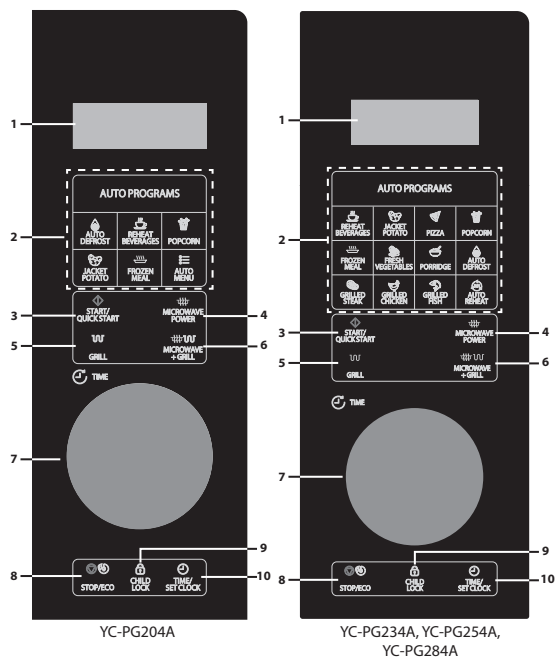
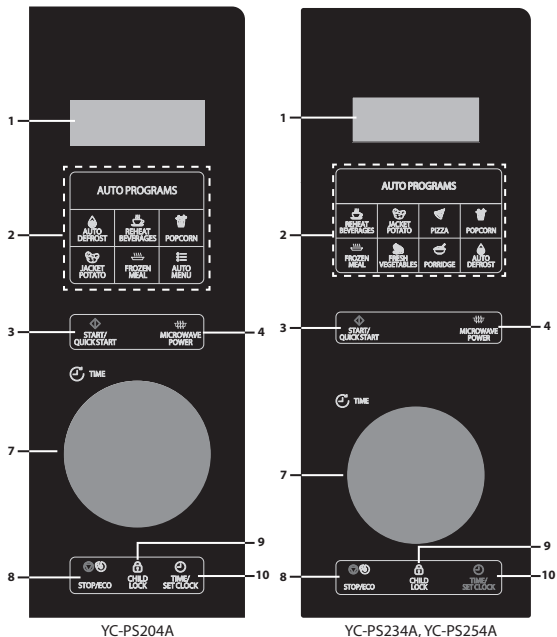
- Če ste kuhali mastne jedi brez pokrova, vedno temeljito očistite notranjost pečice, da bo suha in brez maščobe. Nakopičena maščoba lahko povzroči dim ali se lahko vžge.
- Pri uporabi mikrovalov pripomočke vedno postavite na vrtljivi krožnik.
- Rešetke za žar NE uporabljajte s funkcijo samo mikrovalov.



OPOZORILO:  Ta simbol pomeni, da se lahko površine med uporabo zelo segrejejo. Med delovanjem pečice se vrata, zunanje ohišje, prostor za kuhanje, pripomočki in posoda zelo segrejejo. Za preprečitev opeklin vedno uporabite debele kuhinjske rokavice.

NADZORNA PLOŠČA

- DIGITALNI ZASLON** – Prikazano: čas kuhanja, moč, indikatorji in ura.
- Gumbi za SAMODEJNI MENI** – Pritisnite za izbiro menija avtomatskega kuhanja. (Glejte stran 17 za nasvete o uporabi).
- START/QUICK START (ZAČETEK/HITRI ZAČETEK)** – (Stran 16).
- MICROWAVE POWER (MOČ MIKROVALOV)** – Pritisnite za izbiro nivoja moči mikrovalov. (Stran 15).
- GRILL (ŽAR)** – Pritisnite za nastavitev programa priprave jedi z žarom. (Stran 16).
- MICROWAVE+GRILL (MIKROVALOVI + ŽAR)** – Pritisnite za nastavitev programa kombinacije mikrovalov in žara. (Stran 16).
- VRTLJIVI IZBIRNIK** – Obračajte v levo ali v desno za nastavitev različnih funkcij.
- STOP/ECO** – Pritisnite enkrat za začasno prekinitev kuhanja ali dvakrat za preključitev in zaustavitev kuhanja. Uporabite za nastavitev načina varčevanja z energijo. (Stran 21).
- CHILD LOCK (VARNOSTNO ZAKLEPANJE)** – (Stran 22).
- TIME/SET CLOCK (URA/NASTAVITEV ČASA)** – Uporabite za nastavitev ure. Uporabite za nastavitev časovnika. (Stran 14).



PRED UPORABO PEČICE

Ob prvem vklopu pečice se oglasi zvok in zaslon prikazuje »**1:00**«. Za pravilno delovanje pečice nastavitve ure ni potrebna. Za nastavitve ure sledite navodilom v razdelku »**Nastavitve ure**« tega uporabniškega priročnika. Ob prvi uporabi novega žara se ob prvi uporabi začnejo sproščati dim in vonjave. Da se temu izognete med pripravo hrane, funkcijo žara brez hrane uporabljajte približno 20 minut.

- Ko odprete in zaprete vrata, pečica preide v način pripravljenosti. Če v eni minuti ne pritisnete nobenega gumba, bo zaslon ostal prižgan, gumbi pa ne bodo delovali. Če želite ponovno vstopiti v način pripravljenosti, odprite in zaprite vrata.
- Če med kuhanjem enkrat pritisnete gumb **STOP/ECO**, bo cikel kuhanja začasno prekinjen. Za ponovni zagon kuhanja pritisnite gumb **ZAČETEK/HITRI ZAČETEK**. Če dvakrat pritisnete gumb **STOP/ECO**, se kuhanje preklicje.
- Ko pečico programirate za določeno funkcijo in je premor med pritiski na gumb daljši od 30 sekund, se pečica vrne v način pripravljenosti.
- Ko je cikel kuhanja zaključen, bo na zaslonu prikazano »**End**« (Konec) in vsaki dve minuti se oglasi zvok, dokler ne pritisnete gumba ali odprete vrat.

NASTAVLJANJE URE

Ta pečica ima uro, ki se lahko uporablja v 12- ali 24-urnem načinu. Za nastavitve ure sledite spodnjim navodilom:

1. V načinu pripravljenosti pritisnite in zadržite gumb **TIME/SET CLOCK** za vsaj 3 sekunde za vstop v način nastavljanja ure.
 2. Pritisnite gumb **URA/NASTAVITEV ČASA** za izbiro 12- ali 24-urnega načina.
 3. Zasukajte **VRTLJIVI IZBIRNIK** za nastavitve ure. Za shranjevanje pritisnite gumb **URA/NASTAVITEV ČASA**.
 4. Zasukajte **VRTLJIVI IZBIRNIK** za nastavitve minut. Za shranjevanje pritisnite gumb **URA/NASTAVITEV ČASA** in zaprite način nastavljanja ure.
- Za normalno delovanje pečice ni treba nastaviti ure.
 - Ko ste v načinu kuhanja, pritisnite gumb **URA/NASTAVITEV ČASA** za prikaz ure (če je nastavljena). Po odštevanju petih sekund se prikaz spremeni nazaj v kuhanje. Če kuhinjski časovnik ni nastavljen, ure ni mogoče videti.

KUHANJE Z MIKROVALOVI

Če želite uporabljati funkcijo mikrovalov, upoštevajte spodnja navodila:

1. V načinu pripravljenosti pritisnite gumb **MOČ MIKROVALOV** za izbiro nivoja moči mikrovalov. Z vsakim pritiskom tega gumba bo na zaslonu prikazan nivo moči mikrovalov.
2. Ko ste izbrali želeni nivo moči mikrovalov, zasukajte **VRTLJIVI IZBIRNIK** za izbiro časa kuhanja.
3. Za začetek kuhanja pritisnite gumb **ZAČETEK/HITRI ZAČETEK**.
4. Ko je cikel kuhanja zaključen, bo na zaslonu prikazano »End« (Konec) in vsaki dve minuti se oglasi zvok, dokler ne pritisnete gumba ali odprete vrat.

Upoštevajte, da je spodnja tabela le okvirna. Vaša pečica ima 10 stopenj moči mikrovalov: 10%, 20%, 30%, 40%, 50%, 60%, 70%, 80%, 90% in 100 %. Dejansko izhodno moč lahko izračunate tako, da mikrovalovno moč pomnožite z odstotkom.

Vodič za kuhanje z mikrovalovi:

Zaslon	Nivo moči mikrovalov	Priporočena uporaba
P100	100 %	To nastavitev se uporablja za hitro kuhanje ali pogrevanje, npr. mesno-zelenjavne jedi, vroče pijače ipd..
P-80	80 %	Za gosta živila, ki potrebujejo daljši čas kuhanja, če se kuhajo v običajni pečici, kot so npr. jedi iz govedine. S to nastavitvijo bo meso mehko.
P-60	60 %	Uporablja se pri daljšem kuhanju čvrstješe hrane, kot so pečenke, mesne štruce in obloženi obroki, pa tudi za občutljivejšo hrano, kot je smetanova omaka ali biskvit.
P-40	40 %	Nastavitev za odtajevanje; s to nastavitvijo se bo živilo enakomerno odtalilo, nastavitev pa je primerna tudi za kuhanje riža, testenin, cmokov in jajčnih krem.
P-20	20 %	Za nežno odtajevanje, npr. kremnih rezin ali finega peciva.

- Med kuhanjem lahko nivo moči preverite tako, da pritisnete in zadržite gumb **MOČ MIKROVALOV**.
- Najdaljši čas kuhanja je 95 minut.

HITRI ZAGON

Če potrebujete kuhanje pri 100 % nivoju moči, samo pritisnite gumb **ZAČETEK/HITRI ZAČETEK** na **VRTLJIVEM IZBIRNIKU** v načinu pripravljenosti. Z vsakim pritiskom gumba **ZAČETEK/HITRI ZAČETEK** bo času kuhanja dodanih 30 sekund.

KUHANJE Z ŽAROM*

Grelni element žara na vrhu prostora pečice ima samo eno nastavitvev moči, je učinkovit in varčen. Žar je idealen za peko slanine, zrezkov, ribjih palčkov in čajnega peciva.

Za peko manjših živil, kot so slanina in klobase, uporabite rešetko za žar, ki jo na polovici pečenja obrnite. Hrano lahko položite neposredno na rešetko ali jo položite v plitvo posodo ali na toplotno odporen krožnik. Da bi zagotovili, da z živil, ki se pripravljajo, ne kaplja maščoba ali olje, poskrbite, da je pod rešetko za žar nameščen ustrezen pladenj. Pri pečenju in hrustljavi površini živil v posodi za peko lahko uporabite rešetko za žar, če je posoda dovolj plitva, vendar je priporočljivo, da take posode postavite neposredno na vrtljivo mizo in tako omogočite nekaj dodatnega časa, da se hrana lahko hrustljivo zapeče. Držala za žar ni mogoče uporabljati za peko na žaru.

Če želite uporabljati funkcijo žara, upoštevajte spodnja navodila:

1. V načinu pripravljenosti pritisnite gumb **ŽAR** za izbiro funkcije žara. Na zaslonu bo prikazano »Grill«.
2. Zasukajte **VRTLJIVI IZBIRNIK** za izbiro časa kuhanja.
3. Za začetek kuhanja pritisnite gumb **ZAČETEK/HITRI ZAČETEK**.
4. Ko je cikel kuhanja zaključen, bo na zaslonu prikazano »End« (Konec) in vsaki 2 minuti se oglasi zvok, dokler ne pritisnete gumba ali odprete vrat.

* - Samo za modele z žarom.

MIKROVALOVI + ŽAR*

S funkcijo mikrovalovne pečice in žara lahko hrano hitro zapečete in popečete. Za uporabo funkcije mikrovalovne pečice in žara sledite spodnjim navodilom:

1. V načinu pripravljenosti pritisnite gumb **MIKROVALOVI+ŽAR** enkrat ali dvakrat za izbiro »Co-1« ali »Co-2«.
2. Zasukajte **VRTLJIVI IZBIRNIK** za nastavitvev časa kuhanja.
3. Pritisnite gumb **ZAČETEK/HITRI ZAČETEK** za potrditev.
4. Ko je cikel kuhanja zaključen, bo na zaslonu prikazano »End« (Konec) in vsaki dve minuti se oglasi zvok, dokler ne pritisnete gumba ali odprete vrat.

Funkcija žara+mikrovalov

Zaslon	Izhod	Priporočena uporaba
Co-1	70 % žar / 30 % mikrovalov	Kosi piščanca, piščančja prsa, svinjski kottlet
Co-2	56 % žar / 44 % mikrovalov	Cel piščanec

- Najdaljši čas kuhanja z žarom je 95 minut.
- Med peko na žaru omogočite, da se dim ali vonjave razpršijo, tako da odprete okno ali vklopite kuhinjsko prezračevanje. To je normalno in ni napaka pečice.
- Med kuhanjem lahko trenutno kombinacijo moči kuhanja preverite tako, da se dotaknete gumba **MIKROVALOVI + ŽAR**.
- Ko uporabljate funkcijo žara, se bo žar v rednih presledkih vključil in izključil in s tem preprečil pregrevanje.
- Pri uporabi funkcije **MIKROVALOVI+ŽAR** lahko hrano v primerni posodi položite neposredno na vrtljivi krožnik pečice ali na priloženo rešetko za žar.

OPOZORILO: Med obratovanjem se vrata, zunanje ohišje, prostor za kuhanje, pripomočki in posoda zelo segrejejo. Da preprečite opekline, vedno uporabljajte debele kuhinjske rokavice.

* - Samo za modele z žarom.

AVTO MENI

Samodejni programi omogočajo hitro in učinkovito pripravo hrane z nekaj pritiskimi gumbi. Trajanja in moči kuhanja ni treba programirati, samo pritisnite zeleni gumb za samodejno kuhanje, vnesite težo/kode z vrtenjem **VRTLJIVEGA IZBIRNIKA** in nato pritisnite gumb **ZAČETEK/HITRI ZAČETEK**.

Za kuhanje dveh enot neolupljenega krompirja.

1. Odprite vrata in postavite hrano v pečico s primerno posodo za peko, ki ustreza uporabljenemu ciklu kuhanja.
2. Zaprite vrata.
3. Enkrat pritisnite gumb **NEOLUPLJEN KROMPIR**.
4. Zasukajte **VRTLJIVI IZBIRNIK** in vnesite število krompirjev.
5. Pritisnite gumb **ZAČETEK/HITRI ZAČETEK**.
6. Ko je cikel kuhanja zaključen, bo na zaslonu prikazano »End« (Konec) in vsaki dve minuti se oglasi zvok, dokler ne pritisnete gumba ali odprete vrat.

Meniji avtomatskega kuhanja:

Avto program	Teža/velikost
Zamrznjen obrok Samodejno odtajevanje Samodejno pogrevanje	Težo izberite z obračanjem VRTLJIVEGA IZBIRNIKA . Zamrznjen obrok in samodejno pogrevanje (200 do 800 g), samodejno odtajevanje (100 do 1800 g)
Segrevanje pijač	Izberite število kozarcev (vsak po 200 ml) z obračanjem VRTLJIVEGA IZBIRNIKA . 1 do 3 kozarci.
Neolupljen krompir	Izberite število krompirjev (vsak po 230 g) z obračanjem VRTLJIVEGA IZBIRNIKA . 1 ali 2 krompirja.
Pica	Izberite maso pice (150 g / 300 g / 450 g) z obračanjem VRTLJIVEGA IZBIRNIKA .
Pokovka	Izberite število embalaž pokovke (po 100 g) z obračanjem VRTLJIVEGA IZBIRNIKA .
Sveža zelenjava	Izberite maso zelenjave (200 g do 600 g) z obračanjem VRTLJIVEGA IZBIRNIKA .
Kaša	Izberite maso kaše (v gramih) z obračanjem VRTLJIVEGA IZBIRNIKA . Od 50 do 150 g.
Popečen zrezek (samo načini z žarom)	Izberite maso zrezka (200 g do 600 g) z obračanjem VRTLJIVEGA IZBIRNIKA .
Popečen piščanec (samo načini z žarom)	Izberite maso piščanca (200 g do 600 g) z obračanjem VRTLJIVEGA IZBIRNIKA .
Riba na žaru (samo načini z žarom)	Izberite maso ribe (200 g do 600 g) z obračanjem VRTLJIVEGA IZBIRNIKA .

- Rezultati kuhanja pri avtomatskem kuhanju so odvisni od spremenljivk, kot so oblika in velikost živila, vaše zahteve glede kuhanja in načina vstavljanja v pečico. Če niste zadovoljni z rezultatom kuhanja, si program in čas kuhanja nastavite po želji.

Opomba: Gumb Auto Menu se uporablja le pri modelih YC-PG204A in YC-PS204A. Vsakič, ko pritisnete gumb Auto Menu, se na zaslonu prikaže samodejni program, kot je prikazano v zgornji tabeli. Ko najdete zeleni samodejni meni, zavrtite gumb **VRTLJIVEGA IZBIRNIKA**, da izberete težo hrane, ki jo želite skuhati.

Podrobnosti o samodejnem programu

Zivilo	Količina	Začetna temperatura	Tehnika kuhanja
Segrevanje pijač	od 1 do 3 skodelice, 1 skodelica = 200 ml	Okoljska	<ol style="list-style-type: none"> 1. Postavite pijačo, ki jo želite segreti, na sredino steklene vrtljive plošče mikrovalovne pečice. 2. Zaprite vrata in pritisnite gumb REHEAT BEVERAGES (POGREVANJE PIJAČE) ter z obračanjem VRTLJIVEGA IZBIRNIKA izberite število skodelic. 3. Za začetek kuhanja pritisnite gumb ZACETEK/HITRI ZACETEK. 4. Ko se časovnik ustavi, odstranite pijačo. Bodite previdni, saj bo pijača vroča.
Neoplupljen krompir	1 do 2 krompirja, 1 krompir = 230 + 10 g	Okoljska	<ol style="list-style-type: none"> 1. Krompir operite in osušite ter z vilicami večkrat prebodite površino krompirja. 2. Krompir položite na sredino steklene vrtljive plošče mikrovalovne pečice. 3. Zaprite vrata in pritisnite gumb JACKET POTATO (NEOPLUPLJEN KROMPIR) ter z obračanjem VRTLJIVEGA IZBIRNIKA izberite število krompirjev. 4. Za začetek kuhanja pritisnite gumb ZACETEK/HITRI ZACETEK. 5. Ko se časovnik ustavi, odstranite krompirje s pečice. Bodite previdni, saj bo pijača vroča.
Pica	150 do 450 g	Zamrznjeno -18 °C	<ol style="list-style-type: none"> 1. Pico postavite na krožnik, ki je varen za mikrovalovno pečico, na sredino steklenega krožnika za mikrovalovno pečico. 2. Zaprite vrata in pritisnite gumb PIZZA (PICA) ter z obračanjem VRTLJIVEGA IZBIRNIKA izberite težo. 3. Za začetek kuhanja pritisnite gumb ZACETEK/HITRI ZACETEK. 4. Ko se časovnik ustavi, odstranite pico s pečice. Bodite previdni, saj bo vroča.
Pokovka	100 g	Okoljska	<ol style="list-style-type: none"> 1. Pokovko položite na sredino steklene vrtljive plošče mikrovalovne pečice. 2. Zaprite vrata in pritisnite gumb POPCORN (POKOVKA). 3. Za začetek kuhanja pritisnite gumb ZACETEK/HITRI ZACETEK. 4. Ko se časovnik ustavi, odstranite pokovko s pečice. Bodite previdni, saj bo vroča.
Zamrznjen obrok	200 do 800 g	Zamrznjeno -18 °C	<ol style="list-style-type: none"> 1. Zamrznjeni obrok dajte v posodo za mikrovalovno pečico in ga pokrijte s plastično folijo; v foliji prebodite luknje. 2. Jed položite na sredino steklene vrtljive plošče mikrovalovne pečice. 3. Zaprite vrata in pritisnite gumb FROZEN MEAL (ZAMRZNJENA JED) ter z obračanjem VRTLJIVEGA IZBIRNIKA izberite težo. 4. Za začetek kuhanja pritisnite gumb ZACETEK/HITRI ZACETEK. 5. Ko se časovnik ustavi, odstranite jed s pečice in jo postrezite. Bodite previdni, saj bo vroča.
Sveža zelenjava	200 do 600 g	Okoljska	<ol style="list-style-type: none"> 1. Zelenjavo operite in narežite na majhne koščke; 25-30 mm dolge in 10 mm debele. 2. Te kose položite v keramično posodo, primerno za mikrovalovno pečico, in jih pokrijte s plastično folijo; v plastiko naredite luknje. 3. Skledo položite na sredino steklene vrtljive plošče mikrovalovne pečice. 4. Zaprite vrata in pritisnite gumb FRESH VEGETABLES (SVEŽA ZELJENJAVA) ter z obračanjem VRTLJIVEGA IZBIRNIKA izberite težo. 5. Za začetek kuhanja pritisnite gumb ZACETEK/HITRI ZACETEK. 6. Ko se časovnik ustavi, odstranite jed s pečice in jo postrezite. Bodite previdni, saj bo vroča.
Kaša	50 do 150 g	Okoljska	<ol style="list-style-type: none"> 1. V skledi zmešajte ovseno kašo in mleko. Predlagamo 180 ml mleka na 50 g ovsa. 2. Skledo postavite v središče vrtljivega krožnika. 3. Zaprite vrata in pritisnite gumb PORRIDGE (KAŠA) ter z obračanjem VRTLJIVEGA IZBIRNIKA izberite težo. 4. Za začetek kuhanja pritisnite gumb ZACETEK/HITRI ZACETEK. 5. Ko se časovnik ustavi, odstranite jed s pečice in jo postrezite.
Samodejno pogrevanje	200 do 800 g	Ohlajeno na 5 °C	<ol style="list-style-type: none"> 1. Hladen riž ali testenine položite v keramično posodo, primerno za mikrovalovno pečico, in pokrijte s plastično folijo; v plastiko naredite luknje. 2. Skledo položite na sredino steklene vrtljive plošče mikrovalovne pečice. 3. Zaprite vrata in pritisnite gumb AUTO REHEAT (SAMODEJNO POGREVANJE) ter z obračanjem VRTLJIVEGA IZBIRNIKA izberite težo. 4. Za začetek kuhanja pritisnite gumb ZACETEK/HITRI ZACETEK. 5. Ko se časovnik ustavi, odstranite jed s pečice in jo postrezite.
Popečen zrezek	200 do 600 g	Okoljska	<ol style="list-style-type: none"> 1. Zrezek enakomerno razporedite na rešetko za žar, ki je pokrita s papirjem, odpornim na maščobo. 2. Rešetko za žar položite na sredino steklene vrtljive plošče mikrovalovne pečice. 3. Zaprite vrata in pritisnite gumb GRILLED STEAK (POPEČEN ZREZEK) ter z obračanjem VRTLJIVEGA IZBIRNIKA izberite težo. 4. Za začetek kuhanja pritisnite gumb ZACETEK/HITRI ZACETEK. 5. Po dveh tretjinah časa kuhanja odprite vrata, da obrnete hrano, nato zaprite vrata in nadaljujte s kuhanjem. 6. Ko se časovnik ustavi, odstranite jed s pečice in jo postrezite. Bodite previdni, saj bo vroča.
Popečeni kosi piščanca	200 do 600 g	Okoljska	<ol style="list-style-type: none"> 1. Kose piščanca enakomerno razporedite na rešetko za žar, ki je pokrita s papirjem, odpornim na maščobo. 2. Rešetko za žar položite na sredino steklene vrtljive plošče mikrovalovne pečice. 3. Zaprite vrata in pritisnite gumb za popečenega piščanca ter z obračanjem VRTLJIVEGA IZBIRNIKA izberite težo. 4. Za začetek kuhanja pritisnite gumb ZACETEK/HITRI ZACETEK. 5. Po dveh tretjinah časa kuhanja odprite vrata, da obrnete hrano, nato zaprite vrata in nadaljujte s kuhanjem. 6. Ko se časovnik ustavi, odstranite jed s pečice in jo postrezite. Bodite previdni, saj bo vroča.
Popečeni kosi ribe	100 do 500 g	Okoljska	<ol style="list-style-type: none"> 1. Kose ribe enakomerno razporedite na rešetko za žar, ki je pokrita s papirjem, odpornim na maščobo. 2. Rešetko za žar položite na sredino steklene vrtljive plošče mikrovalovne pečice. 3. Zaprite vrata in pritisnite gumb GRILLED FISH (POPEČENA RIBA) ter z obračanjem VRTLJIVEGA IZBIRNIKA izberite težo. 4. Za začetek kuhanja pritisnite gumb ZACETEK/HITRI ZACETEK. 5. Po dveh tretjinah časa kuhanja odprite vrata, da obrnete hrano, nato zaprite vrata in nadaljujte s kuhanjem. 6. Ko se časovnik ustavi, odstranite jed s pečice in jo postrezite. Bodite previdni, saj bo vroča.

Opomba	Način pečice in uporabljen način	YC-PS204A	YC-PS234A in YC-PS254A	YC-PG204A	YC-PG234A, YC-PG254A in YC-PG284A
	Z mikrovalovi samo pri 100 %	1 skodelica - 01:40 min 2 skodelici - 03:00 min 3 skodelice - 04:20 min	1 skodelica - 01:30 min 2 skodelici - 02:40 min 3 skodelice - 03:50 min	1 skodelica - 01:40 min 2 skodelici - 03:00 min 3 skodelice - 04:20 min	1 skodelica - 01:30 min 2 skodelici - 02:40 min 3 skodelice - 03:50 min
	Z mikrovalovi samo pri 100 %	1 krompir - 06:00 min 2 krompirja - 09:00 min 3 krompirji - 13:00 min	1 krompir - 05:00 min 2 krompirja - 08:00 min 3 krompirji - 12:00 min	1 krompir - 06:00 min 2 krompirja - 09:00 min 3 krompirji - 13:00 min	1 krompir - 05:00 min 2 krompirja - 08:00 min 3 krompirji - 12:00 min
Pri YC-PS204A in YC-P-G204A morate zadržati gumb AVTO MENI, da se pojavi program.	Z mikrovalovi samo pri 100 %	150 g: 1:00 min 300 g: 01:30 min 450 g: 2:00 minut	150 g: 00:50 min 300 g: 01:20 min 450 g: 1:50 minut	150 g: 01:00 min 300 g: 01:30 min 450 g: 2:00 minut	150 g: 00:50 min 300 g: 01:20 min 450 g: 1:50 minut
	Z mikrovalovi samo pri 100 %	100 g: 3:00 minut	100 g: 2:00 minut	100 g: 3:00 minut	100 g: 2:30 minut
	Mikrovalovna pečica 100 % za 1/2 časa, nato 0 % za 1/6 časa in nazadnje 100 % za 1/3 časa.	200 g: 8:00 minut 400 g: 11:00 minut 600 g: 15:00 minut 800 g: 18:00 minut	200 g: 6:00 minut 400 g: 9:00 minut 600 g: 13:00 minut 800 g: 16:00 minut	200 g: 8:00 minut 400 g: 11:00 minut 600 g: 15:00 minut 800 g: 18:00 minut	200 g: 6:00 minut 400 g: 9:00 minut 600 g: 13:00 minut 800 g: 16:00 minut
Pri YC-PS204A in YC-P-G204A morate zadržati gumb AVTO MENI, da se pojavi program.	Z mikrovalovi samo pri 100 %	200 g: 3:30 minut 300 g: 4:30 minut 400 g: 5:30 minut 500 g: 6:30 minut 600 g: 7:30 minut	200 g: 3:00 minut 300 g: 4:00 minut 400 g: 5:00 minut 500 g: 6:00 minut 600 g: 7:00 minut	200 g: 3:30 minut 300 g: 4:30 minut 400 g: 5:30 minut 500 g: 6:30 minut 600 g: 7:30 minut	200 g: 3:00 minut 300 g: 4:00 minut 400 g: 5:00 minut 500 g: 6:00 minut 600 g: 7:00 minut
Pri YC-PS204A in YC-P-G204A morate zadržati gumb AVTO MENI, da se pojavi program.	Mikrovalovi - 100 %	50 g: 2:00 minut 100 g: 3:30 minut 150 g: 5:30 minut	50 g: 2:00 minut 100 g: 3:30 minut 150 g: 5:30 minut	50 g: 2:00 minut 100 g: 3:30 minut 150 g: 5:30 minut	50 g: 2:00 minut 100 g: 3:30 minut 150 g: 5:30 minut
Pri YC-PG204A morate zadržati gumb AVTO MENI, da se pojavi program.	Z mikrovalovi samo pri 100 %	200 g: 2:00 minut 300 g: 2:40 minut 400 g: 3:20 minut 500 g: 4:00 minut 600 g: 4:40 minut 700 g: 5:20 minut 800 g: 6:00 minut	200 g: 1:30 minut 300 g: 2:00 minut 400 g: 2:30 minut 500 g: 3:00 minut 600 g: 3:30 minut 700 g: 4:00 minut 800 g: 4:30 minut	200 g: 2:00 minut 300 g: 2:40 minut 400 g: 3:20 minut 500 g: 4:00 minut 600 g: 4:40 minut 700 g: 5:20 minut 800 g: 6:00 minut	200 g: 1:30 minut 300 g: 2:00 minut 400 g: 2:30 minut 500 g: 3:00 minut 600 g: 3:30 minut 700 g: 4:00 minut 800 g: 4:30 minut
Pri YC-PG204A morate zadržati gumb AVTO MENI, da se pojavi program.	Mikrovalovna pečica deluje pri 100 % 10 sekund, nato se žar vklopi za 23 sekund. Ta cikel se ponavlja do konca časa kuhanja. Mikrovalovna pečica in žar nista nikoli vključena istočasno.	ni na voljo	ni na voljo	200 g: 15:00 minut 300 g: 18:00 minut 400 g: 21:00 minut 500 g: 24:00 min 600 g: 27:00 min	200 g: 15:00 minut 300 g: 18:00 minut 400 g: 21:00 minut 500 g: 24:00 min 600 g: 27:00 min
Pri YC-PG204A morate zadržati gumb AVTO MENI, da se pojavi program.	Mikrovalovna pečica deluje pri 100 % 10 sekund, nato se žar vklopi za 23 sekund. Ta cikel se ponavlja do konca časa kuhanja. Mikrovalovna pečica in žar nista nikoli vključena istočasno.	ni na voljo	ni na voljo	200 g: 15:00 minut 300 g: 18:00 minut 400 g: 21:00 minut 500 g: 24:00 min 600 g: 27:00 min	200 g: 15:00 minut 300 g: 18:00 minut 400 g: 21:00 minut 500 g: 24:00 min 600 g: 27:00 min
Pri YC-PG204A morate zadržati gumb AVTO MENI, da se pojavi program.	Mikrovalovna pečica deluje pri 100 % 10 sekund, nato se žar vklopi za 23 sekund. Ta cikel se ponavlja do konca časa kuhanja. Mikrovalovna pečica in žar nista nikoli vključena istočasno.	ni na voljo	ni na voljo	100 g: 12:00 minut 200 g: 15:00 minut 300 g: 18:00 minut 400 g: 21:00 minut 500 g: 24:00 min	100 g: 12:00 minut 200 g: 15:00 minut 300 g: 18:00 minut 400 g: 21:00 minut 500 g: 24:00 min

SAMODEJNO ODTAJEVANJE

Samodejno odtajevanje omogoča odtajevanje hrane glede na težo. Čas in moč odtajevanja se prilagodita samodejno po vnosu kategorije in teže hrane. Teža zamrznjene hrane je lahko od 100 g do 1800 g.

1. V načinu pripravljenosti pritisnite gumb **SAMODEJNO ODTAJEVANJE**.
2. Zasukajte **VRTLJIVI IZBIRNIK** za izbiro teže hrane za odtajevanje.
3. Za začetek cikla odtajevanja pritisnite gumb **ZAČETEK/HITRI ZAČETEK**.
4. Če se pečica med ciklom odtajevanja ustavi, obrnite hrano, da zagotovite enakomerno odtajevanje, in nato pritisnite **ZAČETEK/HITRI ZAČETEK** za preostanek odtajevanja.
5. Ko je cikel odtajevanja zaključen, bo na zaslonu prikazano »End« (Konec) in vsaki 2 minuti se oglasi zvok, dokler ne pritisnete gumba ali odprete vrat.

Samodejno odtajevanje - delovanje

Model	Teže	Razpon časa odtajevanja	Delovanje odtajevanja	Metoda
YC-PG204A	100 do 1800 g	5,5 – 39,5 minut	Segrevajte v mikrovalovni pečici pri 40 % 1/3 časa, nato pri 20 % naslednjo 1/3 časa. Ko morate obrniti, se odtajuje 20 % preostalega časa.	<ol style="list-style-type: none"> 1. Zamrznjeno jed dajte v posodo za mikrovalovno pečico in ga pokrijte s plastično folijo; v foliji prebodite luknje. 2. Jed položite na sredino steklene vrtljive plošče mikrovalovne pečice. 3. Zaprite vrata in pritisnite gumb AUTO DEFROST (SAMODEJNO ODTAJEVANJE) ter z obračanjem VRTLJIVEGA IZBIRNIKA izberite težo. 4. Za začetek odtajevanja pritisnite tipko ZAČETEK/HITRI ZAČETEK. 5. Na polovici cikla odtajevanja se pečica ustavi in zahteva, da se hrana obrne. 6. Odprite vrata in obrnite/razporedite živila. Zaprite vrata. 7. Za nadaljevanje odtajevanja pritisnite tipko ZAČETEK/HITRI ZAČETEK. 8. Ko se časovnik ustavi, hrano odstranite iz pečice. Preverite, ali je hrana temeljito odmrznjena.
YC-PG204A	100 do 1800 g	5 – 39 minut		
YC-PS234A in YC-PG234A	100 do 1800 g	5,5 – 39,5 minut	Polovico časa segrevajte v mikrovalovni pečici pri 20 % temperaturi, nato obrnite in za preostali čas uporabljajte 20 % moči.	
YC-PS254A, YC-PG254A in YC-PG284A	100 do 1800 g	3 – 37 minut	Segrevajte v mikrovalovni pečici pri 30 % 1/3 časa, nato pri 20 % naslednjo 1/3 časa. Ko morate obrniti, se odtajuje 20 % preostalega časa.	

SAMODEJNO POGREVANJE*

S pečico lahko pogreivate hrano na osnovi teže, ki jo vnese uporabnik.

Čas pogrevanja in nivo moči se nastavita samodejno, ko sta programirana kategorija hrane in njena teža.

Teža zamrznjene hrane je lahko od 100 g do 800 g.

1. V načinu pripravljenosti pritisnite gumb **SAMODEJNO POGREVANJE**.
2. Zasukajte **VRTLJIVI IZBIRNIK** za izbiro teže hrane za pogrevanje.
3. Pritisnite **ZAČETEK/HITRI ZAČETEK**.
4. Ko je cikel kuhanja zaključen, bo na zaslonu prikazano »End« (Konec) in vsaki dve minuti se oglasi zvok, dokler ne pritisnete gumba ali odprete vrat.

* - Samo za modele z žarom.

KUHINJSKI ČASOVNIK

Pečica je opremljena s kuhinjskim časovnikom, ki odšteva od nastavljenega časa.

1. V načinu pripravljenosti enkrat pritisnite gumb **URA/NASTAVITEV ČASA**.
2. Obračajte gumb **VRTLJIVI IZBIRNIK** za nastavitev zelenega časa, največ je 95 minut.
3. Pritisnite gumb **ZAČETEK/HITRI ZAČETEK** za potrditev.
4. Prikazovalnik bo začel odštevati od nastavljenega časa.
5. Ko prikazovalnik doseže vrednost nič, se oglasi zvočni signal.

V načinu kuhanja lahko uporabljate tudi kuhinjski časovnik. Sledite zgornjim navodilom, medtem ko se hrana kuha. Ko je kuhinjski časovnik aktiviran, se na zaslonu prikaže za pet sekund, nato pa se zaslon vrne na odštevanje časa za cikel kuhanja. Za ponoven ogled časovnika pritisnite gumb **URA/NASTAVITEV ČASA** in za pet sekund bo prikazan kuhinjski časovnik, nato pa nazaj odštevanje kuhanja.

- Za preklic programa **ČASOVNIKA** pritisnite gumb **STOP/ECO** in na zaslonu je prikazan čas.
- Če se je začel cikel kuhanja, lahko kuhinjski časovnik zaženete z zgornjimi koraki.

VARČEVANJE Z ENERGIJO

Ta funkcija omogoča varčevanje z energijo, ko pečica ni v uporabi. Če želite aktivirati to funkcijo v načinu pripravljenosti, pritisnite in zadržite gumb **STOP/ECO** za 3 sekunde, se zaslon izklopi; pečica pa bo prekopila v način varčevanja z energijo.

Za preklic načina varčevanja z energijo pritisnite kateri koli gumb ali odprite in zaprite vrata pečice.

FUNKCIJA IZKLOPA ZVOKA

Vse zvoke mikrovalovne pečice lahko izklopite s funkcijo izklopa zvoka. Za nastavitev funkcije izklopa zvoka pritisnite gumb **VARNOSTNO ZAKLEPANJE**, da bo na zaslonu prikazano »**OFF**« za 5 sekund. Ko je funkcija vklopljena, ob pritisku gumbov ne bo zvoka.

Če želite izklopiti funkcijo utišanja, enkrat pritisnite tipko **VARNOSTNO ZAKLEPANJE**, na zaslonu bo za 5 sekund prikazano "**on**", kar pomeni, da je zvok znova vklopljen.

Če je funkcija izklopa zvoka nastavljena in je pečica izključena iz električnega omrežja, se ob ponovnem priklopu na električno omrežje prekliče.

VARNOSTNO ZAKLEPANJE

Ta avtomatska funkcija preprečuje nenadzorovano uporabo pečice otrok. Če v načinu pripravljenosti ni delovanja eno minuto, pečica samodejno preklopi v način varnostnega zaklepanja in na zaslonu bo prikazano »**Loc**«. V zaklenjenem stanju so vsi gumbi onemogočeni. Pritisnite kateri koli gumb, na zaslonu je prikazan indikator zaklepanja za 5 sekund, ki uporabnika opominja na izklop varnostnega zaklepanja.

Za izklop varnostnega zaklepanja preprosto odprite in zaprite vrata mikrovalovne pečice in tipke bodo znova postale aktivne, indikator zaklepanja pa se izklopi.

VARNOSTNA KLJUČAVNICA

Za nastavitev **VARNOSTNEGA ZAKLEPANJA**: Pritisnite in držite gumb **VARNOSTNO ZAKLEPANJE** za 3 sekunde, dokler ne zaslišite piska in bo na zaslonu prikazano »**Loc**«. Pečica je sedaj v načinu **VARNOSTNEGA ZAKLEPANJA**. V tem načinu bo na zaslonu prikazana ura, če pa pritisnete katero koli gumb ali odprete vrata, bo za 5 sekund prikazano »**Loc**«.

Za preklic **VARNOSTNEGA ZAKLEPANJA** pritisnite in držite gumb **VARNOSTNO ZAKLEPANJE** za 3 sekunde, dokler ne zaslišite piska.

ČIŠČENJE IN NEGA

- Med čiščenjem izklopite pečico in napajalni kabel iz vtičnice.
- Notranjost pečice naj bo vedno čista. Večje madeže očistite z blago milnico in jih nekajkrat obrišite na suho, dokler ne odstranite vseh ostankov s strani, zgornjega in spodnjega dela pečice. Če je pečica zelo umazana, lahko uporabite blaga čistilna sredstva. Ne uporabljajte sprejev ali drugih grobih sredstev, saj lahko zamažejo ali razbarvajo površino vrat.
- Zunanost pečice očistite z vlažno krpo. Da preprečite poškodovanje delov v pečici voda ne sme prodreti v odprtine za zračenje.
- Redno brišite vrata in okence na obeh straneh, vratna tesnila in sosednje dele z vlažno krpo, da odstranite madeže in razlito hrano.
- Ne uporabljajte jedkih čistilnih sredstev.
- Ne čistite s paro.
- Upravljalna plošča se ne sme zmočiti. Očistite z mehko in vlažno krpo. Pri čiščenju upravljalne plošče pustite vrata pečice odprta, da preprečite nenameren vklop pečice.
- Če se para nabere v notranjosti ali okoli zunanosti vrat pečice, obrišite z mehko krpo. Do tega lahko pride, če mikrovalovna pečica deluje v zelo vlažnih pogojih, in to ni okvara.
- Spodnji vrtljivi krožnik, podstavek krožnika in ležišče je treba redno čistiti, da ne pride do kontaminacije in možnega iskrenja/poškodb. Preprosto obrišite blagim čistilnim sredstvom.
- Odstranite vonjave iz vaše pečice z mešanico skodelice vode in sokom ter lupino ene limone, ki ga vstavite v posodi, primerni za mikrovalove - pogrevajte 5 minut. Temeljito obrišite do suhega z mehko krpo.
- Če žarnica ne deluje, stopite v stik s podporo za stranke.
- Pečico redno čistite in odstranjujte ostanke hrane. Slabo vzdrževanje pečice in zanemarjanje lahko povzročita površinske poškodbe, ki znatno vplivajo na življenjsko dobo naprave, hkrati pa lahko povzročijo nevarne situacije.
- Naprave ne odlagajte v gospodinjski koš za smeti; upoštevajte nasvete za odlaganje tovrstnih izdelkov, ki veljajo v vaši državi.

PRIMERNA OPREMA PEČICE

1. Idealen material za mikrovalovne pripomočke je prosojen za mikrovalove, omogoča prehajanje energije prek posode in segrevanje hrane.
2. Mikrovalovi ne morejo predreti kovine, zato ne uporabljajte kovinskih pripomočkov ali posod s kovinskim robom.
3. Ne uporabljajte izdelke iz recikliranega papirja med kuhanjem z mikrovalovi, saj lahko vsebujejo manjše kovinske delce, ki lahko povzročijo iskro in/ali požar.
4. Priporočamo okrogle/ovalne posode namesto kvadratnih/podolgovatih, saj se hrana v kotu rada prekuha.
5. Da preprečite prekuhanje izpostavljenih delov, lahko uporabite tanko folijo iz aluminija. Bodite previdni, da je ne uporabite preveč, med folijo ter notranjim delom pečice pa mora biti vsaj 2,54 cm prostora.

Spodnji seznam je splošno vodilo za pomoč pri izbiranju ustreznih pripomočkov.

Pripomočki za kuhanje	Mikrovalovi Trezor	Žar	Komentar
Posoda za porjavitev	✓ / ✗	✗	Vedno sledite navodilom proizvajalca. Časovnega obdobja segrevanja ne prekoračite. Bodite pozorni, saj posode lahko postanejo zelo vroče.
Kitajski porcelan in keramika	✓ / ✗	✗	Porcelan, lončena posoda, glazirana keramika in kitajski porcelan so praviloma primerne, razen tistih s kovinsko dekoracijo.
Steklo, odporno proti vročini	✓	✓	Paziti je treba, da je vsa steklena posoda primerna za uporabo v mikrovalovni pečici.
Steklo, ki ni odporno proti vročini	✗	✗	
Toplotno obstojna keramika	✓	✓	Prepričajte se, da keramični material ni predebel ali z visoko vsebnostjo mineralov.
Plastična posoda za mikrovalovno pečico	✓	✗	Vedno preverite, ali je plastična posoda primerna za uporabo v mikrovalovni pečici.
Kuhinjski papir	✓ / ✗	✗	Uporabljajte samo kuhinjski papir, ki je priporočen za uporabo v mikrovalovnih pečicah.
Steklene posode, npr. Pyrex®	✓ / ✗	✓	Če uporabljate steklene posode, pazite, da zaradi prehitrega segrevanja živil ne počijo.
Kovinski pladenj	✗	✓	Kovinskih posod ne priporočamo, saj pride do iskrenja, ki lahko privede do požara.
Kovinska mrežica	✗	✓	Kovinskih posod ne priporočamo, saj pride do iskrenja, ki lahko privede do požara.
Aluminijasta folija Posode iz folije	✓ / ✗	✓	Z majhnimi kosi aluminijaste folije lahko hrano zaščitite pred pregrevanjem. Folija naj bo od sten pečice odmaknjena vsaj 2,54 cm, saj lahko pride do iskrenja. Posode iz folije ne priporočamo, razen, če jo priporoča proizvajalec, npr. Microfoil®, pozorno sledite navodilom za uporabo.
Folija	✓	✗	Kuhajoče hrane se ne dotikajte z rokami, priporočamo pa, da ta živila prebodete in tako odvedete nakopičeno sopro.
Plastična/polistirenska posoda, npr. posode iz lokalov s hitro hrano	✓	✗	Pazite, da se posode med kuhanjem ne bodo deformirale, stallele ali razbarvale.
Vrečke za zamrzovanje/peko	✓	✗	Mora biti prebodena, da je para lahko odvedena.
Papirnati krožniki/posode in papir za peko	✓	✗	Ne uporabljajte plastičnih ali kovinskih vrvic ali trakov, saj se slednji lahko med kuhanjem stalijo ali povzročijo iskrenje.
Pletene in lesene posode	✓	✗	Uporabite le za pogrevanje ali vsrkavanje vlage. Zaradi pregrevanja se lahko jed zažge.
Reciklirani papir in časopis	✗	✗	Če uporabljate te materiale, lahko pride do pregrevanja, zato bodite pazljivi. Lahko vsebuje kovinska prijemala, ki med kuhanjem povzročijo iskrenje, ki lahko privede do požara.



OPOZORILO: Ko hrano segrevate v plastičnih ali papirnatih posodah, pazite na pečico, saj obstaja nevarnost vžiga.

OPOMBA: med uporabo ne puščajte pečice nenadzorovane.

NASVET ZA KUHANJE Z MIKROVALOVI

Kuhanje z mikrovalovi poteka hitreje od običajnega kuhanja, zato je pomembno upoštevanje določenih tehnik, ki zagotavljajo dobre rezultate. Številne od naslednjih tehnik so podobne kot pri običajnem kuhanju.



OPOZORILO: Tekočin in živil ne smete segrevati v zaprtih posodah ali skledah, saj tlak, ki nastaja pri segrevanju lahko povzroči poškodbe posode ali notranjosti pečice.

NASVETI ZA KUHANJE:

- Med kuhanjem spremljajte stanje pečice in živil.
- Poskrbite, da bodo posode, ki jih boste uporabljali primerne za uporabo v mikrovalovni pečici.
- Pokovko pripravljajte le v predpisanih posodah (sledite navodilom proizvajalca). Nikoli ne uporabljajte olja, razen če tako predpisuje proizvajalec in nikoli ne podaljšajte predpisanega časa kuhanja.



OPOZORILO: če prekačite priporočene čase kuhanja ali uporabite previsoke nivoje moči, se hrana lahko pregreje, zažge in v ekstremnih primerih celo vžge, kar lahko poškoduje pečico.

Uredite

Debelejše kose jedi postavite na stranski del posode, npr. piščančje palčke.

Živila, ki so obrnjena proti zunanjemu delu posode, bodo prejela več energije, kot tista na sredini.

Pokrijte

Določena živila se bolje kuhajo, če so pokrita.

Pokrijte s folijo za mikrovalovne pečice ali primernim pokrovom.

Prebodite

Živila z lupino, kožo ali membrano morate na več mestih prebosti, da bo lahko uhajala nastala sopara in živila ne bo razneslo, npr. krompir, ribe, piščanec, klobase.

OPOMBA: jajc na noben način ne pogrevajte v mikrovalovni pečici, saj po koncu kuhanja lahko eksplodirajo, tudi po koncu kuhanja.

Premešajte, obrnite in razporedite

Za dosego enakomerno kuhanih živil, slednja med kuhanjem mešajte, obrnite in razporedite. Mešajte vedno od zunanjega dela proti notranjosti.

Postavite

Po končanem kuhanju morajo živila nekaj časa počivati, da se toplota v njih enakomerno razporedi.

Karakteristike živil	
Sestavine	Živila z visoko vsebnostjo maščob ali sladkorja (npr. božični puding, sesekljano meso) zahtevajo krajši čas priprave. Zato morate paziti, da se pri kuhanju ne zažgejo. Kostni omogočajo hitrejšo segrevanje hrane. Zato bodite pazljivi, da se bo hrana segrevala enakomerno.
Gostota	Gostota živil vpliva na čas kuhanja. Lažja, porozna živila, kot so kosi kruha, se kuhajo hitreje kot težja, gostejša, kot sta npr. pečenka ali enolončnica.
Količina	Število mikrovalov v vaši pečici ostaja isto, ne glede na to, kakšno količino živila pripravljate. Zato morate pri večjih količinah predvideti daljši čas kuhanja. npr. štirje krompirji se bodo kuhali dlje, kot dva.
Velikost	Manjši kosi živil se bodo skuhalo hitreje od večjih, saj mikrovalovi lahko prodrejo vanje hitreje. Za enakomerno kuhanje zato izberite približno enake kose.
Oblika	Živila nepravilnih oblik, kot so piščančja bedra ali perutničke se kuhajo dlje, kot živila tankih oblik. Za zagotovitev enakomernega kuhanja postavite debelejšo dele tako, da so obrnjeni proti zunanemu delu posode, saj bodo tam prejemale več energije. Živila okroglih oblik se bodo kuhala veliko enakomerneje, kot živila pravokotnih oblik.
Temperatura živila	Začetna temperatura hrane vpliva na čas, ki je potreben za kuhanje. Ohlajena hrana se bo kuhala dalj časa kot hrana pri sobni temperaturi. Temperatura posode ni pravi pokazatelj temperature hrane ali pijače. V jed zato zarežite in po občutku ocenite stanje, hkrati pa sprostite nakopičeno soparo.



OPOZORILO: Obraz in dlani: Za odstranjevanje živil iz pečice vedno uporabljajte zaščitne rokavice. Pri odpiranju vrat pečice ne stojte pri pečici in zagotovite, da se bo odvečna toplota počasi odvedla iz notranjosti. Pri odstranjevanju pokrovov (ali folij), odpiranju vreč za pečenje ali embalaže pokovke, se lahko sprostijo sopara in vas opeče po dlaneh ali obrazu.



OPOZORILO: Pred serviranjem preverite temperaturo jedi in pijače. Če kuhate za majhne otroke ali ostarele, pred strežbo preverite temperaturo jedi. Vsebino stekleničk za hranjenje morate pred hranjenjem temeljito premešati, saj tako preprečite morebitne opekline.

NASVET ZA ODTAJEVANJE

Z mikrovalovno pečico je odtajevanje najhitrejše. Gre za enostaven postopek, za zagotavljanje temeljitega odtajevanja pa morate upoštevati naslednja navodila.

- Pred odtajevanjem odstranite vso embalažo in ovoje.
- Za odtajevanje uporabite mikrovalovno pečico od P-20 do P-40.
- Glejte spodnje informacije.

Razporedite

Živila, ki so postavljena proti zunanjemu delu posode, se bodo odtalila hitreje, kot tista na sredini. Zato jih morate med odtajevanjem vsaj 4-krat premešati.

Kose jedi ločite in jih enakomerno razporedite po posodi.

To bo zagotovilo, da se bodo vsi kosi jedi odtalili enakomerno.

Ločite

Jedi, ki ste jih vzeli iz zamrzovalnika, se med odtajevanjem lahko sprimejo. Zato jih morate med odtajevanjem čim večkrat ločiti in razporediti.

npr. rezine slanine, piščančje fileje.

Pokrijte

Posamezni deli živil se med odtajevanjem lahko segrejejo. Za preprečevanje njihovega kuhanja te predele lahko prekrijete z aluminijasto folijo, ki odbija mikrovalove. npr. kose piščančjih beder ali peruti.

Postavite

Po odtajevanju priporočamo, da jedi nekaj časa počivajo

Jed po odstranitvi iz mikrovalovne pečice še ni do konca odtaljena. Zato mora nekaj časa stati, da se toplota po njej enakomerno razporedi.

Obrnite

Pomembno je, da vsa živila med odtajevanjem obrnete do 4-krat.

To je pomembno za temeljito odtajevanje.

NASVET ZA POGREVANJE

Pri pogrevanju jedi sledite spodaj navedenim nasvetom in priporočilom in tako zagotovite temeljito pogrevanje pred serviranjem.

Sestavljeni obroki

Ločite kose živil in jih razporedite, kot je prikazano spodaj.

Manjše koščke jedi razporedite po sredini posode, večje in debelejša pa po robu. Posode za pripravo jedi v mikrovalovni pečici pokrijte s folijo ali pokrovom in jed segrejte pri nivoju moči P-50, premešajte in razporedite ter pogrevajte naprej.

OPOMBA: Poskrbite, da bodo jedi pred serviranjem dobro pogrete.

Meso, narezano na rezine

Pokrijte s pokrovom za kuhanje v mikrovalovni pečici in segrevajte na nivoju moči P-60. Nato kose razporedite za enakomerno pogrevanje.

OPOMBA: Poskrbite, da bo meso pred serviranjem temeljito pogreto.

Koščki perutnine

Debelejše kose jedi postavite na stranski del posode, slednjo pokrijte s folijo za kuhanje v mikrovalovni pečici in segrevajte na nivoju moči P-70.

Med ponovnim segrevanjem obrnite

OPOMBA: Poskrbite, da se bo perutnina pred serviranjem dobro pogrela.

Enolončnice

Pokrijte s pokrovom za kuhanje v mikrovalovni pečici ali drugim primernim pokrovom in pogrevajte na nivoju moči P-50.

Med pogrevanjem jed stalno mešajte.

OPOMBA: Poskrbite, da bodo jedi pred serviranjem dobro pogrete.

Za doseganje najboljših rezultatov pri pogrevanju izberite ustrezno moč mikrovalov glede na vrsto živila, npr. posodo z zelenjavo lahko pogrevate na nivoju moči P-100, lazanjo, ki je med pogrevanjem ne morete mešati, pa pogrevajte na nivoju moči P-40.

OPOMBE:

- Pred pogrevanjem jedi odstranite iz embalaže.
- Čas pogrevanja je odvisen od oblike, debeline, količine in temperature jedi, hkrati pa nanj vpliva tudi oblika posode in material iz katerega je izdelana.



OPOZORILO: Nikoli ne pogrevajte tekočin v posodah z ozkim vratom, saj bi vsebina med pogrevanjem lahko začela vreti in izhajati, pri tem pa bi vas opekla.

- Da bi preprečili pregrevanje in požar, je treba biti še posebej pozoren pri pogrevanju jedi z visokim deležem sladkorja ali maščobe, na primer rezine mesa ali božični puding.
- Nikoli ne pogrevajte olja ali maščob, saj to lahko privede do pregrevanja ali požara.
- Vložena krompirja ne smete pogrevati v mikrovalovni pečici, vedno sledite navodilom proizvajalca.



OPOZORILO: Stekleničke za hranjenje in lončki za hranjenje dojenčkov morate po pogrevanju temeljito pretrsti in preveriti temperaturo, sicer lahko povzročite opekline.

ODPRAVLJANJE NAPAK

Če mislite, da pečica ne deluje pravilno, lahko sami opravite nekaj preprostih pregledov, preden pokličete serviserja. Tako boste zmanjšali število nepotrebnih servisnih klicev, če je napaka preproste narave.

Opravite naslednji preprost pregled:

Postavite pol skodelice vode na vrtljivi krožnik in zaprite vrata. Nastavite časovnik za kuhanje 1 minuto z močjo mikrovalov P-100.

1. Ali se lučka med kuhanjem vklopi?
2. Ali ventilator deluje? (Preverite tako, da postavite roko nad zračne odprtine ventilatorja.)
3. Ali se po 1 minuti oglasi zvočni alarm?
4. Ali je voda v skodelici vroča?

Če je odgovor na katero koli vprašanje »NE«, najprej preverite, ali je pečica pravilno priključena in da ni pregorela varovalka. Če tu ni okvare, preverite spodnjo tabelo za odpravljanje težav.



OPOZORILO: Nikoli sami ne prilagajajte, popravljajte ali spreminjajte pečice. Servis ali popravilo lahko izvede le pooblaščen SHARPOV serviser. To je pomembno, ker servis lahko vključuje odstranjevanje pokrova, ki ščiti pred izpostavljenostjo pred mikrovalovno energijo.

- Tesnilo vrat zaustavi puščanje mikrovalov med delovanjem pečice, vendar ni zračno nepredušno. Tvorjenje vodnih kapljic, svetlobe ali toplega zraka okrog vrat pečice je normalno. Hrana z visoko količino vlage bo oddajala paro, ki se bo na stenah pečice kopičila kot kondenz.
- Popravila in spremembe: ne poizkušajte uporabljati pečice, če ta ne deluje pravilno.
- Zunanje ohišje in dostop do lučke: nikoli ne odstranjujte zunanjega ohišja, saj je to zaradi delov v notranjosti, ki so pod visoko napetostjo, lahko smrtno nevarno, zato se jih ne smete nikoli dotakniti. Vaša pečica ni opremljena s pokrovom za dostop do lučke. Če se lučka okvari, je ne poskušajte zamenjati sami, pokličite pooblaščenega serviserja podjetja SHARP.

SEZNAM ODPRAVLJANJA MOTENJ

TEŽAVA	REŠITEV
Okrog vrat se ustvarja prepih.	Ko pečica deluje, zrak kroži po notranjosti. Vrata ne ustvarijo nepredušnosti, zato lahko zrak uhaja skozi vrata.
V pečici nastaja kondenz, ki lahko uhaja skozi vrata.	Notranjost pečice je običajno hladnejša od hrane, ki jo kuhate, zato bo proizvedena para pri kuhanju na hladnejši površini kondenzirala. Količina proizvedene pare je odvisna od vsebnosti vode v hrani, ki jo kuhate. Nekatera živila vsebujejo veliko vlage, kot npr. krompir. Kondenz znotraj steklenih vrat morate očistiti po nekaj urah.
Bliskanje ali iskenje v notranjosti med kuhanjem.	Do iskenja pride, če kovinski predmet med kuhanjem pride v tesen stik s prostorom za kuhanje v pečici. Zaradi tega lahko postane ta prostor bolj hrapav, vendar ga ne more poškodovati.
Krompir se iskri.	Prepričajte se, da ste »očesa« krompirja odstranili in krompir prebodli, ga postavili neposredno na vrtljivi krožnik ali v plitvo oz. podobno posodo, odporno proti vročini.
Pri uporabi pečice v načinu samo za žar lahko opazite, da grelni element ni ves čas vklopljen.	Element za žar se namreč vkloplja in izkloplja, da ohranja temperaturo v pečici na nastavljeni ravni.
Ko žar uporabljate v kombiniranem načinu, ni videti, da je vklopljen.	Med kombiniranim načinom kuhanja (mikrovalovna pečica in žar) pečica preklaplja med obema funkcijama. Funkciji mikrovalovne pečice in žara ne bosta vklopljeni hkrati.
Pečica ne deluje, ko je pritisnjen gumb ZAČETEK/HITRI ZAČETEK.	Preverite, ali so vrata pravilno zaprta.
Pečica kuha prepočasi.	Prepričajte se, da ste izbrali pravi nivo moči.
Pečica proizvaja hrup.	Ob vklopu in izklopu mikrovalovne energije se lahko sliši šumenje, kar je normalno.
Po končanem kuhanju pečica proizvaja hrup ali pa je videti, da še vedno deluje.	Ob koncu cikla kuhanja lahko ventilator ostane vklopljen nekaj minut, da se pečica ohladi. To je normalno.
Zunanje ohišje je vroče.	Ohišje lahko postane vroče na dotik – zato naj bo na varni razdalji od otrok.
Ko pritisnete gumb, se na zaslonu prikaže "LoC".	Po 30 sekundah pečica preide v način zaklepanja, v katerem ni mogoče pritisniti gumbov. Odprite in zaprite vrata in gumbi bodo ponovno delovali. Preverite tudi, da naprava ni v načinu zaklepanja.
Na zaslonu se prikaže napis "Fail", iz pečice pa se vsako minuto oglasi pisk.	Če gumbe na upravljalni plošči neprekinjeno pritiskate več kot 1 minuto, bo prišlo do tega. Za nekaj minut izključite pečico iz električnega omrežja in jo ponovno priključite.
Pečica piska vsakih 30 sekund.	Ko se kuhanje konča in se vrata ne odprejo, se vsakih 30 sekund oglasi pisk. Za prekinitev odprite in nato zaprite vrata.

PRED KLIČANJEM PODPORE

Pred klicanjem servisa preverite vse spodnje alineje:

- Preverite, da je pečica trdno priključena, sicer odstranite vtič iz vtičnice, počakajte 10 sekund in ga znova trdno priključite.
- Preverite možno pregorelo varovalko ali sproženo tokovno prekinjalo. Če delujejo pravilno, preverite vtičnico z drugo napravo.
- Preverite, da sta gumba za vklop/izklop in časovnik pravilno nastavljena.
- Preverite in se prepričajte, da so vrata trdno zaprta, tako da je sistem za varnostno zaklepanje vrat vključen. Sicer energija mikrovalov ne bo ostala v pečici

ČE ZGORNJI UKREPI NE RAZREŠIJO TEŽAVE, STOPITE V STIK Z USPOSABLJENIM SERVISERJEM. PEČICE NIKOLI NE POSKUŠAJTE NASTAVLJATI ALI POPRAVLJATI SAMI.



Pažnja:

Vaš proizvod je obeležen ovim simbolom. To znači da upotrebjene električne i elektronske proizvode ne treba mešati sa opštim otpadom iz domaćinstva. Postoji sistem odvojenog prikupljanja za ove proizvode.



www.sharpconsumer.com/contact/



www.sharpconsumer.com/support/



www.sharpconsumer.com/documents-of-conformity/

A. Informacije o uklanjanju od strane korisnika (privatna domaćinstva)

1. U Evropskoj Uniji

Pažnja: ukoliko želite da se rešite ove opreme, molimo da ne koristite običnu kantu za otpatke!

Upotrebljena električna i elektronska oprema se mora odlagati posebno u skladu sa propisima koji nalažu pravilnu upotrebu, popravku i preradu upotrebjene električne i elektronske opreme.

Kao što to važi za države članice, privatna domaćinstva unutar država EU mogu vratiti svoju upotrebjenu električnu i elektronsku opremu ovlašćenim objektima za prikupljanje ove opreme i to besplatno*.

U nekim državama* vaš lokalni prodavac takođe može da primi nazad vaš stari uređaj besplatno ukoliko vi kupite neki sličan uređaj.

*) Molimo da kontaktirate lokalne vlasti za više detalja.

Ako vaša korišćena električna ili elektronska oprema ima baterije ili akumulatore, molimo vas da ih uklonite odvojeno unapred u skladu sa lokalnim zahtevima. Uklanjanje ovog proizvoda na pravi način pomoćić vam da se postarate da otpad dođe pod odgovarajući tretman, obnovu ili reciklažu i tako će sprečiti potencijalne negativne efekte na okolinu i ljudsko zdravlje do čega može da dođe usled nepravilnog upravljanja otpadom.

2. U drugim državama izvan EU

Ako želite da odložite ovaj proizvod, molimo kontaktirajte lokalne vlasti i raspitajte se o pravilnom načinu odlaganja.

Za Švajcarsku: Upotrebljena električna ili elektronska oprema se može besplatno vratiti prodavcu, čak i ako ne kupite novi uređaj.

Sledeći objekti za prikupljanje ovakve opreme su izlistani na početnoj stranici sajta www.swico.ch or www.sens.ch.

B. Informacije o odlaganju za Poslovne korisnike

1. U Evropskoj Uniji

Ukoliko je proizvod korišćen u poslovne svrhe i vi želite da ga odložite: Molimo kontaktirajte svog SHARP prodavca koji će Vas informisati o vraćanju proizvoda. Mogu Vam biti naplaćeni troškovi preuzimanja i prerade proizvoda. Mali proizvodi (i male količine) se mogu uzeti nazad od strane Vaših lokalnih objekata za prikupljanje ove opreme.

Za Španiju: Molimo kontaktirajte uspostavljeni sistem prikupljanja ili lokalnu vlast radi preuzimanja Vaših upotrebjenih proizvoda.

2. U drugim državama izvan EU

Ako želite da odložite ovaj proizvod, molimo kontaktirajte lokalne vlasti i raspitajte se o pravilnom načinu odlaganja.

MERE PREDOSTROŽNOSTI DA BI SE IZBEGLO MOGUĆE IZLAGANJE ENERGIJI MIKROTALASNE PEĆNICE

1. Ne pokušavajte da rukujete ovom rernom sa otvorenim vratima jer to može da dovede do štetnog izlaganja energiji mikrotalasne pećnice. Važno je ne polomiti ili izmeniti bezbednosna zaključavanja.
2. Ne ubacujte ništa između prednjeg dela rerne i vrata niti dozvolite da se smeće ili ostaci čistača nagomilaju na površinama pečata.
3. Ne rukujte rernom ako je oštećena. Važno je da se vrata rerne pravilno zatvore i da nema štete na vratima, zaptivkama, bravicama ili pečatima vrata ili površinama za zatvaranje.
4. Ne pokušavajte da opravite ili prilagodite rernu.

SADRŽAJ

VAŽNA BEZBEDNOSNA UPUTSTVA	3
MONTIRANJE	11
RADIO INTERFERENCIJA	12
UPUTSTVA ZA UZEMLJENJE	12
SPECIFIKACIJE	12
RERNA I DODACI	13
KONTROLNA TABLA	14
PRE KORIŠĆENJA RERNE	15
PODEŠAVANJE ČASOVNIKA	15
MIKROTALASNO KUVANJE	16
BRZO POKRETANJE.....	17
GRIL KUVANJE*	17
MIKROTALASNA+ROŠTILJ*	18
AUTOMATSKI MENI	19
AUTOMATSKO ODLEDIVANJE.....	22
AUTOMATSKO PODGREJAVANJE*	22
KUHINJSKI TAJMER.....	23
FUNKCIJA ČUVANJA NAPAJANJA	23
FUNKCIJA BEZ ZVUKA	24
BEZBEDNOSNO ZAKLJUČAVANJE.....	24
ZAKLJUČAVANJE ZA DECU.....	24
ČIŠĆENJE I BRIGA	25
ODGOVARAJUĆE POSUDE	26
SAVET ZA MIKROTALASNO KUVANJE	27
SAVET ZA ODMRZAVANJE	29
SAVET ZA PODGREVANJE	30
REŠAVANJE PROBLEMA	31
PRE POZIVANJA POMOĆI	33

* - Samo za modele sa roštiljem.

VAŽNA BEZBEDNOSNA UPUTSTVA

PAŽLJIVO PROČITAJTE I ČUVAJTE ZA BUDUĆU REFERENCU

Izbegavati opasnost od požara. Mikrotalasnu rernu ne treba ostaviti bez nadzora tokom rada. Nivoi napajanja koji su previsoki, ili vremena kuvanja koja su prevelika, mogu pregrejati hranu i dovesti do požara.

Ova rerna je dizajnirana za korišćenje samo na radnoj površini. Nije dizajnirana da se ugradi na kuhinjsku jedinicu. Ne stavljajte rernu u ormarić. Električni izlaz mora biti pristupačan kako bi jedinica mogla da se isključi lako u hitnim slučajevima.

Napajanje naizmeničnom strujom mora biti 230-240 V, 50 Hz, sa osiguračem jačine 10 A za distributivnu liniju, ili prekidačem distribucije najmanje jačine od 10 A. Odvojeno kolo koje služi samo za ovaj uređaj mora da se dostavi.

Ne stavljajte rernu u područja gde se toplota nagomilava. Na primer, blizu konvencionalne rerne. Ne instalirajte rernu u područjima visoke vlažnosti ili gde vlaga može da se prikupi. Ne čuvajte niti koristite rernu napolju.

Ako dođe do pojave dima, isključite ili iskopčajte rernu i držite vrata zatvorenim da bi se ugušio bilo kakav plamen.

Koristite samo kontejnere i posuđe koje je za mikrotalasnu pećnicu. Posuđe treba da se proveri kako bi se postaralo da odgovara za upotrebu u mikrotalasn timerima. Kada zagrevate hranu u platičnim ili papirnim kontejnerima, obratite pažnju na rernu zbog mogućnosti paljenja.

Očistite poklopac za prenos talasa i unutrašnjost rerne. Oni moraju biti suvi i očišćeni od masnoće. Nataložena masnoća može da se pregreje i počne da dimi ili da se zapali.

Ne stavljajte zapaljive materijale blizu rerne ili otvora ventilacije. Ne blokirajte otvore ventilacije.

Uklonite sve metalne poklopce, žice itd. iz hrane i pakovanja hrane. Varničenje na metalnim površinama može dovesti do požara.

Ne koristite mikrotalasnu rernu da biste ugrejali ulje za duboko prženje. Temperatura se ne može kontrolisati a ulje može izazvati požar.

Za pravljenje kokica koristite specijalne mikrotalasne uređaje za pravljenje kokica.

Nemojte čuvati hranu niti bilo šta drugo u rerni.

Proverite podešavanja nakon uključivanja rerne kako biste se uverili da li rerna pravilno radi.

Ne ostavljajte rernu bez nadzora dok radi.

Da biste izbegli pregrejavanje i požar, mora se voditi specijalna briga kada se kuva ili podgreva hrana sa dosta šećera ili masnog sadržaja, na primer, rol kobasice, pite ili božićni puding. Pogledajte odgovarajuće savete u uputstvu za upotrebu.

Da biste izbegli mogućnost povrede. UPOZORENJE:

Nemojte raditi sa rernom ukoliko je oštećena ili pokvarena.

Proverite sledeće pre upotrebe:

- a) Proverite da li su vrata pravilno zatvorena i da nije došlo do nepoklapanja ili vitoperenja.
- b) Proverite da li su šarke ili bravice bezbednosnih vrata polomljene ili olabavljene.
- c) Postarajte se da zaptivci na vratima i zaptivne površine nisu oštećene.
- d) Proverite da unutrašnjost rerne ili vrata nemaju nekih udubljenja.
- e) Postarajte se da kabl i utikač za napajanje nisu oštećeni.

Ukoliko su vrata ili zaptivci na vratima oštećeni, rerna ne sme radi dok se to ne popravi od strane kompetentnog lica.

Nemojte nikad sami prepravljati, popravljati ili menjati rernu. To je opasno za svakog osim za kompetentno lice koje može da obavi bilo kakav servis ili popravku, što uključuje uklanjanje poklopca koji predstavlja zaštitu od mikrotalasne energije.

Ne rukujte rernom sa otvorenim vratima niti menjajte bezbednosne bravice na vratima na bilo koji način. Ne rukujte rernom ako postoji objekat između pečata vrata i površina za zatvaranje.

Ne dopustite da se mast ili prljavština nagomilaju na vratima pečata i susednih delova. Očistite rernu pri redovnim intervalima i uklonite naslage hrane.

Pratite uputstva za „Brigu i čišćenje“. Nemogućnost da održavate rernu u čistim uslovima može da dovede do deterioracija površine koja može negativno da utiče na vek trajanja uređaja i da izazove opasne situacije.

Osobe sa PEJSMEJKERIMA treba da provere sa svojim lekarom ili proizvođačem pejsmejкера o merama opreza vezanim za korišćenje mikrotalasne rerne.

Da bi se izbegla mogućnost strujnog udara.

- Ni pod kakvim okolnostima ne uklanjajte spoljašnje kućište.
- Nikad nemojte sipati ili ubacivati predmete u otvore brave na vratima ili u ventilacione otvore. Ukoliko dođe do sipanja, odmah isključite i iskopčajte rernu iz struje i pozovite ovlašćenog servisnog agenta SHARP-a.
- Nemojte potapati kabl za napajanje ili utikač u vodu ili bilo koju drugu tečnost.
- Nemojte dopustiti da kabl za napajanje visi preko ivice ploče ili radne površine.
- Držite kabl za napajanje što dalje od zagrejanih površina, uključujući zadnji deo rerne.
- Neka uređaj i kabl budu van domašaja dece mlađih od 8 godina.

-
- Nemojte sami pokušavati da zamenite lampu rerne i nemojte to dozvoljavati nikome ko nije ovlašćeni električar od strane SHARP-a. Ukoliko se lampica pokvari, posavetujte se sa svojim prodavcem ili ovlašćenim servisnim agentom SHARP-a.
 - Ako je kabl za napajanje oštećen, mora da se zameni ovlašćenim SHARP servisnim agentom.

UPOZORENJE: tečnosti i druga hrana ne sme da se zagreje u zatvorenim kontejnerima jer može da eksplodira. Zagrevanje pića u mikrotalasnoj rerni može da dovede do odgođenog ključanja; prema tome, mora se voditi računa o rukovanju kontejnerom. Da biste izbegli mogućnost eksplozije i iznenadnog ključanja:

Nikada ne koristite zatvorene kontejnere. Uklonite pečate i poklopce pre upotrebe. Zapečaćeni kontejneri mogu da eksplodiraju usled podizanja pritiska nakon što se rerne isključi. Pazi kada su tečnosti u mikrotalasnoj pećnici. Koristite kontejner sa širokim otvorom da dopustite da mehuri izađu.

Nemojte nikad grejati tečnosti u posudama sa uskim grlom kao što su bočice za bebe jer to može dovesti do izlivanja sadržaja iz posude pri zagrevanju i stvaranja opekotina.

Da biste izbegli naglo ključanje tečnosti i moguće opekotine:

1. Nemojte podešavati preveliko vreme za grejanje hrane.
2. Promešajte tečnost pre grejanja/podgrevanja.
3. Savetuje se da potopite stakleni štapić ili sličan predmet (nemetalni) u tečnost dok se ona podgreva.
4. Ostavite tečnost najmanje 20 sekundi u rerni nakon isteka kuvanja kako biste sprečili naknadno eruptivno ključanje.

Nemojte kuvati jaja u ljuskama a tvrdo kuvana jaja ne bi trebalo grejati u mikrotalasnim rernama jer mogu da

eksplodiraju nakon završetka kuvanja u njima. Da biste kuvali ili podgrejali jaja koja nisu lupana ili kajgana, odvojte belanca od žumanaca ili jaja mogu eksplodirati. Ogulite i isecite tvrdo kuvana jaja pre podgrevanja u mikrotalasnoj rerni.

Ogulite ljusku sa namirnicama kao što su krompir, kobasice i voće pre kuvanja jer bi mogle da eksplodiraju.

UPOZORENJE: sadržaj flašica za hranjenje i pakovanja hrane za bebe mora da se promeša ili promućka a temperatura da se proverí pre hranjenja, kako bi se izbegle opekotine. Koristite držače za činije ili rukavice za rernu kada uklanjate hranu iz rerne da biste sprečili opekotine. Da biste sprečili mogućnost opekotina:

- Uvek otvarajte kontejnere, kesice za pravljenje kokica, kesice za kuvanje u rerni, itd. podalje od lica i ruku da biste izbegli opekotine od pare ili ključanja. Da biste izbegli opekotine, uvek testirajte temperaturu hrane i promešajte pre serviranja i obratite posebnu pažnju na temperaturu hrane i pića koje se daju bebama, deci ili starijima. Dostupni delovi mogu da se zagreju u toku korišćenja. Mala deca treba da se drže podalje.
- Temperatura posude nije tačni pokazatelj temperature hrane ili pića; uvek proveravajte temperaturu hrane.
- Uvek se udaljite od vrata rerne prilikom otvaranja kako biste izbegli opekotine od pare i toplote.
- Isecite punjenu pečenu hranu nakon zagrevanja kako biste oslobodili paru i izbegli opekotine.
- Držite decu dalje od vrata kako biste sprečili da se opeku.

UPOZORENJE: samo dopustite deci od 8 godina i naviše da koriste rernu bez nadgledanja kada su odgovarajuća uputstva data tako da dete može da koristi rernu na bezbedan način i da račume opasnosti nepravilnog korišćenja.

Kada se uređajem rukuje u režimu GRIL, MIKS GRIL, KONVEKCIJA, MIKS KONVEKCIJA i AUTOMATSKI MENI (više primenljivo za model), deca treba da koriste samo rernu uz nadgledanje odraslih osoba zbog temperature koja se generiše.

Ovaj uređaj nije predviđen za upotrebu od strane lica (uključujući decu) sa umanjenim fizičkim, čulnim ili mentalnim kapacitetima, ili nedostatkom iskustva i znanja, osim ako nemaju adekvatan nadzor ili uputstva u vezi upotrebe uređaja od strane osobe koja odgovara za njihovu bezbednost.

Deca treba da budu pod nadzorom kako bi se sprečilo da se igraju sa uređajem. Čišćenje od strane dece treba da se nadgleda.

Modeli sa panelom za elektronski dodir nisu omogućeni uz režim zaključavanja za decu.

Nemojte se kačiti i ljuljati na vratima rerne. Nemojte se igrati sa rernom niti je koristiti kao igračku.

Decu treba učiti svim bezbednosnim uputstvima: kako da koriste držače za posuđe, pažljivo uklone poklopce - da obrate pažnju na pakovanje (npr. da li se radi o materijalima koji se sami zagrevaju) koje čini hranu hrskavom, jer ono može biti izuzetno vruće.

Ostala upozorenja

Nemojte ni na koji način menjati rernu.

Nemojte pomerati rernu dok je u radu.

Ovaj uređaj je namenjen za korišćenje u domaćinstvu. Ova rerna je za pripremu hrane i može da se koristi samo za kuvanje hrane i pića. Sušenje hrane ili odeće ili zagrevanje zagrevača, papuča, sunđera, mokrih krpa i sličnog može da dovede do rizička od povrede, zapaljenja ili požara. Ne odgovara za komercijalnu ili laboratorijsku upotrebu.

Da biste obezbedili nesmetanu upotrebu rerne i izbegli oštećenja.

Nemojte raditi sa rernom kada je prazna. Kada koristite posudu za pečenje ili materijal koji se sam zagreva, uvek stavljajte vatrostalni izolator poput porcelanske ploče ispod toga, kako bi se sprečilo oštećenje njene podloge usled prevelike toplote. Ne sme se prevazići vreme pregrevanja navedeno u uputstvima za posuđe.

Nemojte koristiti metalni pribor koji reflektuje mikrotalase jer može dovesti do električnog varničenja. Nemojte stavljati konzerve u rernu.

Za sprečavanje napuknuća osnove rerne ili rotacionog dela:

- a) Pre čišćenja sa vodom, ostavite da se ohladi.
- b) Nemojte stavljati vruću hranu ili vruć pribor na osnovu ploče/rotacioni deo.
- c) Nemojte stavljati ništa na spoljašnje kućište tokom rada rerne.

NAPOMENA:

Nemojte koristiti plastične posude za mikrotalasnu rernu ako je rerna još uvek vruća od korišćenja kombinovanog režima (u zavisnosti od modela rerne) jer može da se istopi.

Plastične posude se ne smeju koristiti tokom gore navedenih režima rada osim ako njihov proizvođač ne potvrdi da su one pogodne za upotrebu.

Ako niste sigurni kako da prikopčate rernu, posavetujte se sa ovlašćenim, kvalifikovanim električarem.

Proizvođač i prodavac ne snose nikakvu odgovornost za oštećenje rerne ili ličnu povredu ukoliko je obavljena nekorektna procedura električnog prikopčavanja.

Vodena para ili kapljice mogu povremeno formirati slojeve na rerni ili oko zaptivaka na vratima i zaptivnih površina. Ovo je

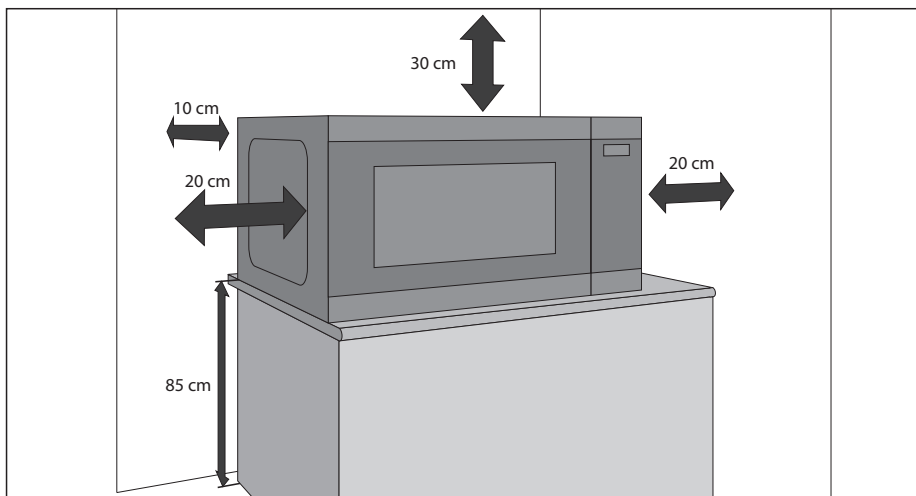
normalna pojava i ne ukazuje na mikrotalasno curenje ili kvar. Ovaj uređaj je za korišćenje u domaćinstvu i sličnim primenama kao što su; područja za kuhinju za osoblje u prodavnicama, kancelarijama i drugim profesionalnim okruženjima / farmama / korišćenje od strane klijenata hotela, motela i drugih rezidencijalnih tipova okoline / tip hotela sa spavanjem i doručkom.



Ovaj simbol znači da se ove površine mogu zagrejati tokom upotrebe.

MONTIRANJE

1. Uklonite sve materijale za pakovanje iz unutrašnjosti otvora rerne i uklonite zaštitni film koji ste pronašli na površini ormarića mikrotalasne rerne.
 2. Pažljivo proverite da li u rerni ima znakova oštećenja.
 3. Stavite rernu na bezbednu, ravnu površinu, dovoljno jaku da izdrži težinu rerne i najteže hrane koja bi se u njoj kuvala. Ne stavljajte rernu u kuhinjski element.
 4. Izaberite ravnu površinu koja nudi dovoljno otvorenog prostora za ulaznu i/ili izlaznu ventilaciju. Pogledajte sliku na prvoj strani. Zadnja površinu uređaja će se nasloniti na zid.
- Minimalna visina instalacije je 85 cm.
 - Minimalni prostor od 20 cm neophodan je između strane mikrotalasne pećnice i bilo kojih susednih zidova ili objekata.
 - Ostavite prostor od najmanje 30 cm iznad rerne.
 - Nemojte uklanjati stope sa dna rerne.
 - Blokiranje ulaznih i/ili izlaznih otvora može oštetiti rernu.
 - Stavite rernu što dalje od radija i TV-a. Rad mikrotalasa može izazvati smetnje u radijskom i TV prijemju.



5. Pažljivo prikopčajte utikač rerne na standardnu uzemljenu utičnicu u domaćinstvu.

UPOZORENJE:

Nemojte stavljati rernu na mesta gde se stvaraju toplota, vlaga ili velika vlažnost, (na primer, u blizini konvencionalne rerne) ili blizu zapaljivih materijala (na primer, zavesa).

Nemojte blokirati ili zaklanjati ventilacione otvore.

Nemojte stavljati predmete na vrh rerne.

Ne dodirujte spoljašnjost mikrotalasne rerne u toku ili odmah nakon rukovanja jer će biti vrela.

RADIO INTERFERENCIJA

Rukovanje mikrotalasnom rernom može da izazove interferenciju nad radiom, TV uređajem ili sličnoj opremi. Kada postoji interferencija, može da se smanji ili eliminiše ako se izvrše sledeće mere:

1. Operite vrata i otvor gde se sreću.
2. Promenite smer prijemne antene radija ili televizije.
3. Preusmerite mikrotalasnu rernu u smeru prijemnika.
4. Uključite mikrotalasnu rernu u različite izaze tako da mikrotalasna rerna i prijemnik ne budu na istom izvoru napajanja.

UPUTSTVA ZA UZEMLJENJE

Ovaj uređaj mora da se uzemlji. Ova rerna je dostavljena sa kablom koji ima žicu za uzemljenje sa utičnicom za uzemljenje. Mora da se utakne na zidnu utičnicu koja je pravilno instalirana i uzemljena. U slučaju električnog kratkog spoja, uzemljenje smanjuje rizik od električnog udara nudeći žicu za beg za električno kolo. Preporučuje se da odvojeno kolo služi samo za rernu za koju je dostavljeno.



UPOZORENJE: nepravilno korišćenje utičnice za uzemljenje može da dovede do rizika od strujnog udara.

NAPOMENA:

1. Ako imate bilo kakva pitanja u vezi sa uzemljenjem ili električnim uputstvima, konsultujte se sa kvalifikovanim električarem ili osobom za usluge.
2. Proizvađač i prodavac ne snose nikakvu odgovornost za oštećenje rerne ili ličnu povredu ukoliko je objavljena nekorektna procedura električnog prikopčavanja.

Glavni kablovi koji se koriste u mikrotalasnoj rerni koriste sledeće žice kodirane u boji:

Zelena i žuta = ZEMLJA

Plava = NEUTRALNO

Braon = UŽIVO

SPECIFIKACIJE

Naziv modela:	YC-PS204A	YC-PS234A	YC-PS254A	YC-PG204A	YC-PG234A	YC-PG254A	YC-PG284A		
Napon naizmenične struje	230~240 V, 50 Hz monofazno								
Osigurač distribucione linije/prekidač	10 A								
Napajanje:	Mikrotalasna	700 W	900 W	900 W	700 W	900 W	900 W	900 W	
	Roštilj			900 W	1000 W	1000 W	1000 W		
	Režim isključeno	<0,5 W							
	Režim čuvanja napajanja	>0,5 W							
	Zahtevano naizmenično napajanje	1200 W	1400 W	1400 W	1400 W	1400 W	1400 W	1400 W	
Frekvencija mikrotalasa	2450 MHz*								
Spoljašnje dimenzije (Š) x (V) x (D)** mm	455 x 274 x 334	483 x 281 x 377	483 x 281 x 403	455 x 274 x 345	483 x 281 x 395	483 x 281 x 403	539 x 309 x 441		
Dimenzije otvora (Š) x (V) x (D)** mm	315 x 198 x 297	340 x 220 x 320	340 x 220 x 344	315 x 198 x 297	340 x 220 x 320	340 x 220 x 344	354 x 220 x 358		
Kapacitet rerne	20 litara**	23 litara**	25 litara**	20 litara**	25 litara**	25 litara**	28 litara**		
Prečnik rotacionog stola	245 mm	270 mm	270 mm	245 mm	270 mm	270 mm	325 mm		
Veličina raša grila (Š) x (D) mm				190 x 79	80 x 208	80 x 208	89 x 285		
Težina	otprilike 10,5 kg	otprilike 12,9 kg	otprilike 13,5 kg	otprilike 10,9 kg	otprilike 13,9 kg	otprilike 13,7 kg	otprilike 16,6 kg		
Lampa reme (tip LED)	1,5 W								

* - Ovaj proizvod ispunjava zahteve Evropskog standarda EN55011. U skladu sa ovim standardom, ovaj proizvod je klasifikovan kao grupa 2 klase B opreme.

Grupa 2 znači da oprema namerno generiše energiju radio frekvencije u formi elektromagnetske radijacije za grejnu tretiranje hrane. Klasa B opreme znači da oprema može da se koristi u domaćinskim objektima.

** - Unutrašnji kapaciteti su izračunati merenjem maksimalne širine, dubine i visine. Stvarni kapacitet za čuvanje hrane je manji. U OKVIRU POLITIKE KONTINUIRANOG POBOLJŠANJA, MI ZADRŽAVAMO PRAVO POBOLJŠANJA DIZAJNA I SPECIFIKACIJA BEZ OBAVEŠTENJA.

RERNA I DODACI

1. Sistem bezbednosnog zaključavanja vrata
2. Prozor rerne
3. Prsten valjka
4. Spojnica rotacionog stola
5. Lak brojač i kontrolna dugmad
6. Poklopac za prenos talasa (ne sklanjati)
7. Staklena tacna
8. Gril raf za YC-PG204A, YC-PG234A, YC-PG254A i YC-PG284A
9. Ventilacioni otvori
10. Spoljašnje kućište
11. Kabl za napajanje

Proverite da li ste dobili sledeće dodatke:

Samo za gril rerne:

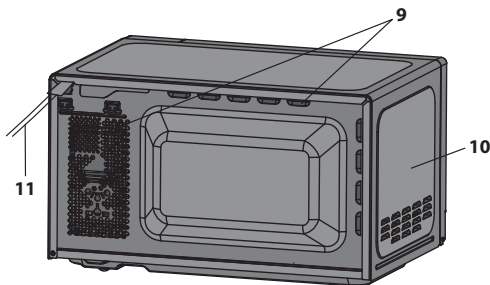
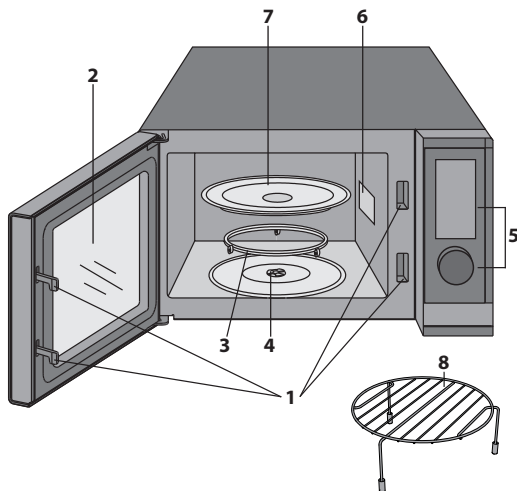
- **Gril raf** – za korišćenje kada kuvate koristeći samo funkciju grila.
- Gril raf je dizajniran za korišćenje samo sa gril rernama. NE koristite raf kada koristite funkciju mikrotalasne rerne.
- Za korišćenje gril rafa pogledajte GRIL odeljke ovog korisničkog uputstva.

Nikad ne dirajte roštilj kada je vruć.

NAPOMENA: Kada poručite dodatke, molimo da navedete dve stavke: naziv dela i naziv modela.

NAPOMENE:

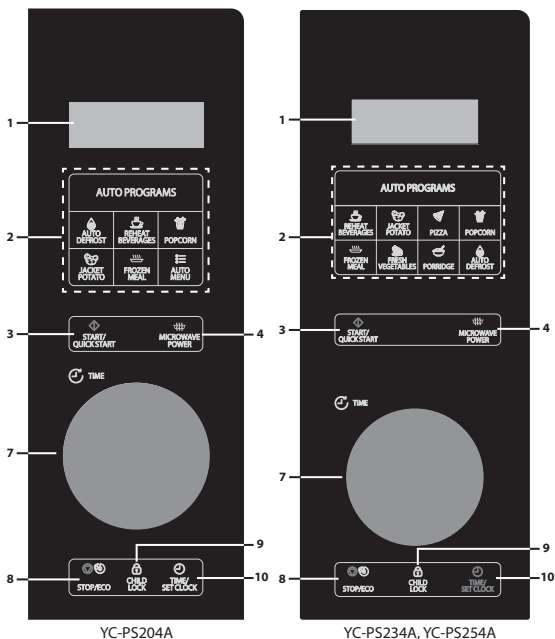
- Nakon kuvanja masne hrane bez poklopca, uvek očistite unutrašnjost temeljno, jer ovi delovi moraju biti suvi i čisti od masti. Nakupljena masnoća može da se pregreje i da počne da dimi i izazove požar.
- Kada koristite mikrotalasnu rernu, uvek stavite posude na rotacioni sto.
- NE koristite gril raf na funkciji samo mikrotalasne rerne.



⚠ UPOZORENJE: ⚠ Ovaj simbol označava da površine mogu da se zagreju tokom upotrebe. Vrata, spoljašnje kućište, unutrašnjost rerne, dodaci i posuđe će se veoma ugrijati tokom rada. Da biste izbegli opekotine, uvek koristite debele rukavice.

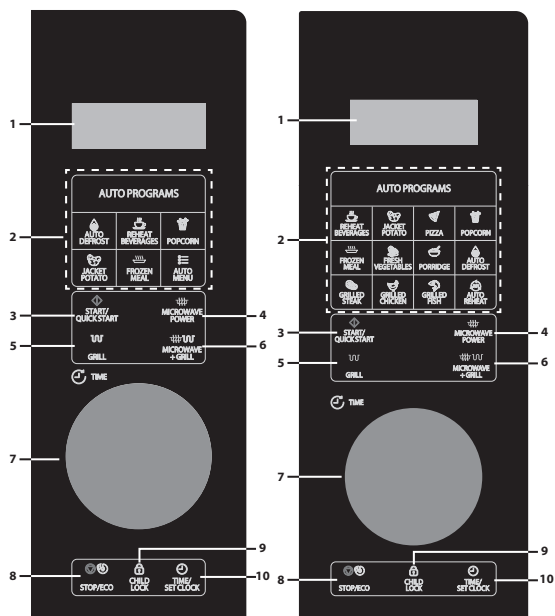
KONTROLNA TABLA

- DIGITALNI PRIKAZ** – Vreme kuvanja, napajanje, indikatori i vreme sata su prikazani.
- Dugmad AUTOMATSKI MENI** – Pritisnite da izaberete automatski meni kuvanja. (Pogledajte stranu 19 za savet o korišćenju).
- START/QUICK START (POKRETANJE/ BRZO POKRETANJE)** – (Strana 17).
- MICROWAVE POWER (MIKROTALASNO NAPAJANJE)** – Pritisnite da izaberete nivo mikrotalasnog napajanja. (Strana 16).
- GRILL (GRIL)** – Pritisnite da podesite program kuvanja grilom. (Strana 17).
- MICROWAVE+GRILL (MIKROTALASNA+GRIL)** – Pritisnite da podesite program kuvanja grilom. (Strana 18).
- LAK BROJAČ** – Rotirajte u smeru kazaljke na satu ili suprotno smeru kazaljke na satu da podesite razne funkcije.
- STOP/ECO (ZAUSTAVLJANJE/EKO)** – Pritisnite jednom da privremeno zaustavite kuvanje ili dva puta da otkažete kuvanje. Koristite da podesite režim čuvanja napajanja. (Strana 23).
- CHILD LOCK (ZAKLJUČAVANJE ZA DECU)** – (Strana 24).
- TIME/SET CLOCK (PODESITE VREME/ SAT)** – Koristite da podesite vreme sata. Koristite da podesite funkciju tajmera. (Strana 15).



YC-PS204A

YC-PS234A, YC-PS254A



YC-PG204A

YC-PG234A, YC-PG254A,
YC-PG284A

PRE KORIŠĆENJA RERNE

Kada se rerna prvi put uključi, čuće se zvučni signal i prikaz će pokazati "1:00". Imajte na umu da sat ne mora da bude podešen da bi pravilno radio. Da podesite sat, sledite uputstva u odeljku "**Podešavanje sata**" ovog korisničkog uputstva.

Kada je nov, prvi put kada se grill koristi, dim i mirisi će se pojaviti. Da biste ovo izbegli kada se kuva hrana, koristite funkciju grila bez hrane na oko 20 minuta.

- Nakon što otvorite i zatvorite vrata, rerna će ući u režim pripravnosti. Ako se dugmad ne pritisnu u roku od 1 minuta, prikaz će ostati uključen a dugmad neće raditi. Da uđete u režim pripravnosti ponovo, otvorite i zatvorite vrata.
- U toku kuvanja, ako je **ZAUSTAVLJANJE/EKO** dugme pritisnuto jednom, ciklus kuvanja će se pauzirati. Da ponovo pokrenete kuvanje pritisnite **POKRETANJE/BRZO POKRETANJE** dugme. Ako je **ZAUSTAVLJANJE/EKO** dugme pritisnuto dva puta, kuvanje će se otkazati.
- Kada programirate rernu za određenu funkciju i postoji pauza između pritiskanja dugmeta duže od 30 sekundi rerna će se vratiti u režim pripravnosti.
- Kada je ciklus kuvanja završen, prikaz će pokazati "**Kraj**" a ton će se čuti na svaka dva minuta dok se dugme na pritisne ili se vrata otvore.

PODEŠAVANJE ČASOVNIKA

Ova rerna ima sat koji može da se koristi ili za režim 12 ili 24 sata. Da podesite sat, sledite uputstva ispod:

1. U režimu pripravnosti, pritisnite i držite dugme **PODEŠAVANJE VREMENA/SATA** najmanje 3 sekunde da biste ušli u režim podešavanja sata.
 2. Pritisnite dugme **PODEŠAVANJE VREMENA/SATA** da izaberete režim sata od 12 ili 24 sata.
 3. Rotirajte **BRZI BROJAČ** da podesite sat. Pritisnite dugme **PODEŠAVANJE VREMENA/SATA** da sačuvate.
 4. Rotirajte **BRZI BROJAČ** da podesite minute. Pritisnite dugme **PODEŠAVANJE VREMENA/SATA** da sačuvate i izađete iz režima podešavanja sata.
- Nije neophodno podesite sat za rernu da bi radila normalno.
 - Dok ste u režimu kuvanja, pritisnite dugme **PODEŠAVANJE VREMENA/SATA** da biste videli vreme u toku dana (ako je podešeno). Vreme u toku dana će se promeniti na kuhinjsko odbrojavanje nakon pet sekundi. Imajte na umu da vreme u toku dana ne može da se vidi ako je kuhinjski tajmer podešen.

MIKROTALASNO KUVANJE

Za korišćenje mikrotalasne funkcije, sledite uputstva data ispod:

1. U režimu pripravnosti, pritisnite dugme **MIKROTALASNO NAPAJANJE** da izaberete nivo napajanja. Svaki put kada se ovo dugme pritisne, prikaz će pokazati nivo napajanja mikrotalasne rerne.
2. Kada se željeni nivo mikrotalasnog napajanja izaberete, rotirajte **BRZI BROJAČ** da izaberete vreme za kuvanje.
3. Pritisnite dugme **POKRETANJE/BRZO POKRETANJE** da pokrenete kuvanje.
4. Kada je ciklus kuvanja završen, prikaz će pokazati "**Kraj**" a ton će se čuti na svaka dva minuta dok se dugme na pritisne ili se vrata otvore.

Imajte na umu da je tabela ispod vodič. Vaša rerna ima 10 nivoa mikrotalasnog napajanja. Oni su 10%, 20%, 30%, 40%, 50%, 60%, 70%, 80%, 90% i 100%. Pravi izlaz vati može da se izračuna tako što se pomnoži nivo napajanja sa procentima.

Vodič za mikrotalasno kuvanje:

Prikaz	Snaga mikrotalasne pećnice	Preporučeno korišćenje
P100	100 %	Koristite ovo podešavanje za brzo kuvanje ili podgrevanje npr. dinstane hrane, toplih napitaka, povrća, itd.
P-80	80 %	Za gustu hranu koja zahteva duže kuvanje kada se kuva konvencionalno, npr. govedina u tepsiji, pri čemu se savetuje da se ovaj režim napajanja koristi da bi meso bilo mekano.
P-60	60 %	Koristi se za duže kuvanje guste hrane kao što su pečenja, veknice od mesa i jela sa tanjirem, takođe i za osetljiva jela kao što su sosovi od sireva i kolači.
P-40	40 %	Podešavanje odmrzavanja; odaberite ovaj režim napajanja, kako bi se hrana ravnomerno odmrzla. Ovaj režim je takođe idealan za kuvanje pirinča, testenine, njoka i jaja za fil.
P-20	20 %	Za lagano odmrzavanje, npr. krem kolača ili peciva.

- U toku kuvanja možete da proverite nivo napajanja kuvanja pritiskajući i držeći **MIKROTALASNO NAPAJANJE** dugme.
- Najduže vreme kuvanja je 95 minuta.

BRZO POKRETANJE

Ako treba da kuvate pri 100% nivou napajanja, samo pritisnite dugme **POKRETANJE/BRZO POKRETANJE** na **BRZI BROJAČ** dok ste u režimu pripravnosti. Svaki put kada se dugme **POKRETANJE/BRZO POKRETANJE** pritisne, dodaje 30 sekundi na vreme kuvanja.

GRIL KUVANJE*

Gril element za grejanje na vrhu otvora rerne ima samo jedno podešavanje za napajanje, efikasan je i ekonomičan. Gril je idealan za kuvanje slanine, odreska, ribljih prstića i kolača koji se služe uz čaj.

Koristite gril raf za grilovanje malih stvari kao što su slanina i kobasice, okrenite na pola grilovanja. Hrana može da se stavi direktno na raf ili da se stavi u posudu ili na tanjir otporan na toplotu. Da se postarate da mast ili ulje ne cure iz hrane koja se kuva, obratite pažnju da odgovarajuća tacna bude postavljena ispod gril rafa.

Kada hrana treba da dobije braon boju ili bude hrskava, gril raf može da se koristi ako je kontejner dovoljno plitak. Međutim, preporučuje se da se kontejner stavi direktno na rotacioni sto kako bi se dopustilo neko vreme da hrana postamni ili bude hrskava po želji. Nije moguće koristite gril raf za grilovanje.

Za korišćenje gril funkcije, sledite uputstva ispod:

1. U režimu pripravnosti, pritisnite dugme **GRIL** da izaberete funkciju grila. Prikaz će pokazati "**Gril**".
2. Rotirajte **BRZI BIRAČ** da izaberete vreme za kuvanje.
3. Pritisnite dugme **POKRETANJE/BRZO POKRETANJE** da pokrenete kuvanje.
4. Kada je ciklus kuvanja završen, prikaz će pokazati "**Kraj**" a ton će se čuti na svaka 2 minuta dok se dugme na pritisne ili se vrata otvore.

* - *Samo za modele sa roštiljem.*

MIKROTALASNA+ROŠTILJ*

Koristeći funkciju i mikrotalasne rerne i grila moguće je da hrana postane braon i da se brže kuva. Za korišćenje funkcije mikrotalasne rerne i grila, sledite uputstva ispod:

1. U režimu pripravnosti, pritisnite **MIKROTALASNA + ROŠTILJ** jednom ili dva puta da biste izabrali „Co-1“ ili „Co-2“.
2. Rotirajte **BRZI BIRAČ** da podesite vreme za kuvanje.
3. Pritisnite dugme **POKRETANJE/BRZO POKRETANJE** da pokrenete kuvanje.
4. Kada je ciklus kuvanja završen, prikaz će pokazati "**Kraj**" a ton će se čuti na svaka dva minuta dok se dugme na pritisne ili se vrata otvore.

Funkcija mikrotalasna + gril

Prikaz	Izlaz	Preporučeno korišćenje
Co-1	70% gril / 30% mikrotalasna	Porcije piletine, pileće grudi, svinjski medaljoni
Co-2	56% gril / 44% mikrotalasna	Celo pile

- Maksimalno vreme kuvanja sa grilom je 95 minuta.
- U toku grilovanja dopustite da dim ili mirisi odu otvarajući prozor ili uključujući ventilaciju u kuhinji. Ovo je normalno i nije greška rerne.
- U toku kuvanja možete da proverite trenutnu kombinaciju napajanja kuvanja dodirujući **MIKROTALASNA + ROŠTILJ** dugme.
- Kada koristite funkciju grila, gril će se uključiti i isključiti pri redovnim intervalima da bi se sprečilo pregrevavanje.
- Kada koristite funkciju MIKROTALASNA+ROŠTILJ, hrana može da se stavi u odgovarajući kontejner direktno na rotacioni sto rerne ili na raf grila.

UPOZORENJE: Vrata, spoljašnje kućište, unutrašnjost rerne, rotaciona ploča i posuđe će postati veoma topli tokom rada. Da biste izbegli opekotine, uvek koristite debele rukavice za rernu.

* - Samo za modele sa roštiljem.

AUTOMATSKI MENI

Zarad olakšavanja automatski programi dopuštaju da se hrana brzo i efikasno kuva samo sa nekoliko pritisnutih dugmadi. Nije neophodno da se programira trajanje i napajanje kuvanja, sve što je potrebno je da se pritisne željeno dugme za automatsko kuvanje, unese težina/komadi rotirajući **BRZI BIRAČ** a zatim pritisne dugme POKRETANJE/BRZO POKRETANJE.

Na primer, za kuvanje dva krompira u ljusci.

1. Otvorite vrata i stavite hranu unutar rerne koristeći odgovarajući escajg za rernu za ciklus kuvanja koji se koristi.
2. Zatvorite vrata.
3. Pritisnite dugme **KROMPIR U LJUSCI** jednom.
4. Rotirajte **BRZI BIRAČ** da unesete broj krompira.
5. Pritisnite **POKRETANJE/BRZO POKRETANJE** dugme.
6. Kada je ciklus kuvanja završen, prikaz će pokazati "**Kraj**" a ton će se čuti na svaka dva minuta dok se dugme na pritisne ili se vrata otvore.

Meniji automatskog kuvanja:

Automatski program	Veličina/težina
Zaleđeno jelo Automatsko odleđivanje Automatsko podgrevanje	Izaberite težinu rotirajući BRZI BIRAČ . Zaleđeno jelo i automatsko ponovno podgrevanje (200 do 800 g), automatsko odleđivanje (100 do 1800 g)
Podgrevanje pića	Izaberite broj šolji (200 ml svaka) rotirajući BRZI BIRAČ kontrolu. 1 do 3 šolje.
Neoljušten krompir	Izaberite broj krompira (230 gr svaki) rotirajući BRZI BIRAČ kontrolu. 1 ili 2 krompira.
Pica	Izaberite težinu pice (150 g / 300 g / 450 g) rotirajući BRZI BIRAČ kontrolu.
Kokice	Izaberite broj kesica kokica (100 g svaka) rotirajući BRZI BIRAČ kontrolu.
Sveže povrće	Izaberite težinu povrća (200 g do 600 g) rotirajući BRZI BIRAČ kontrolu.
Kaša	Izaberite težinu kaše (u gramima) rotirajući BRZI BIRAČ kontrolu. 50 do 150 g.
Grilovan odrezak (samo režimi grila)	Izaberite težinu odreska (200 g do 600 g) rotirajući BRZI BIRAČ kontrolu.
Grilovana piletina (samo režimi grila)	Izaberite težinu piletine (200 g do 600 g) rotirajući BRZI BIRAČ kontrolu.
Grilovana riba (samo režimi grila)	Izaberite težinu ribe (200 g do 600 g) rotirajući BRZI BIRAČ kontrolu.

- Rezultat automatskog kuvanja zavisi od faktora kao što su oblik i veličina hrane, vaša lična sklonost ka određenoj hrani i kako se hrana stavi u rernu. Ako rezultat kuvanja nije zadovoljavajući, molimo da prilagodite vreme kuvanja koje vam odgovara.

Napomena: dugme automatskog menija se koristi samo na YC-PG204A i YC-PS204A modelima. Svaki put kada se dugme automatski meni pritisne, prikaz će pokazati automatski program kao u tabeli iznad. Kada se pronađe željeni automatski meni, rotirajte kontrolu **BRZOG BIRAČA** da izaberete težinu hrane koja treba da se skuva.

Automatski detalji programa

Hrana	Kvantitet	Inicijalna temperatura	Tehnika kuvanja
Podgrevanje pića	1 do 3 šolje 1 šolja = 200 ml	Ambijent	1. Stavite piće za podgrevanje u centar rotacionog staklenog stola mikrotalasne pećnice 2. Zatvorite vrata i pritisnite dugme PODGREVANJE PIĆA i izaberite broj šolja okrećući DUGME MERAČA 3. Pritisnite dugme POKRETANJE/BRZO POKRETANJE da pokrenete kuvanje. 4. Kada se tajmer zaustavi, uklonite piće. Pazite jer će piće biti vruće.
Neoljušteni krompiri	1 do 2 krompira 1 krompir = 230±10 g	Ambijent	1. Operite i osušite krompir(e) i probušite površinu krompira viljuškom nekoliko puta. 2. Stavite krompir(e) u centar rotacionog staklenog stola mikrotalasne pećnice. 3. Zatvorite vrata i pritisnite dugme NEOLJUŠTEN KROMPIR i izaberite broj krompira okrećući DUGME MERAČA. 4. Pritisnite dugme POKRETANJE/BRZO POKRETANJE da pokrenete kuvanje. 5. Kada se tajmer zaustavi, uklonite krompir(e) iz mikrotalasne pećnice. Pazite jer će hrana biti topla.
Pica	150 do 450 g	Zamrzuto -18 °C	1. Stavite picu na bezbednu ploču mikrotalasne pećnice u na centar rotacionog staklenog stola mikrotalasne pećnice. 2. Zatvorite vrata i pritisnite dugme PICA i izaberite težinu okrećući DUGME MERAČA. 3. Pritisnite dugme POKRETANJE/BRZO POKRETANJE da pokrenete kuvanje. 4. Kada se tajmer zaustavi, uklonite picu iz mikrotalasne pećnice. Pazite jer će hrana biti topla.
Kokice	100 g	Ambijent	1. Stavite kokice u centar staklenog rotacionog stola mikrotalasne pećnice. 2. Zatvorite vrata i pritisnite dugme KOKICE. 3. Pritisnite dugme POKRETANJE/BRZO POKRETANJE da pokrenete kuvanje. 4. Kada se tajmer zaustavi, uklonite kokice iz mikrotalasne pećnice. Pazite jer će hrana biti vruća.
Zaledeno jelo	200 do 800 g	Zamrzuto -18 °C	1. Stavite zaledeno jelo u mikrotalasnu činiju i pokrijte je plastičnom folijom; probušite rupe u plastici. 2. Stavite jelo u centar rotacionog staklenog stola mikrotalasne pećnice. 3. Zatvorite vrata i pritisnite dugme ZALEĐENO JELO i izaberite težinu okrećući DUGME MERAČA. 4. Pritisnite dugme POKRETANJE/BRZO POKRETANJE da pokrenete kuvanje. 5. Kada se tajmer zaustavi, izvadite i servirajte. Pazite jer će hrana biti topla.
Sveže povrće	200 do 600 g	Ambijent	1. Perite i secite povrće u male delove; 25-30 mm u dužini i 10 mm u debljini. 2. Stavite ove delove u odgovarajuću keramičku činiju pogodnu za mikrotalasnu pećnicu i prekrijte je plastičnom folijom; probušite rupe u plastici. 3. Stavite činiju u centar staklenog rotacionog stola mikrotalasne pećnice. 4. Zatvorite vrata i pritisnite dugme SVEŽE POVRĆE i izaberite težinu okrećući DUGME MERAČA. 5. Pritisnite dugme POKRETANJE/BRZO POKRETANJE da pokrenete kuvanje. 6. Kada se tajmer zaustavi, izvadite i servirajte. Pazite jer će hrana biti topla.
Kaša	50 do 150 g	Ambijent	1. Pomešajte ovsenu kašu i mleko u činiji. Preporučujemo 180 ml mleka po 50 g ovsene kaše. 2. Stavite činiju u centar staklenog rotacionog stola. 3. Zatvorite vrata i pritisnite dugme OVSENA KAŠA i izaberite težinu okrećući DUGME MERAČA. 4. Pritisnite dugme POKRETANJE/BRZO POKRETANJE da pokrenete kuvanje. 5. Kada se tajmer zaustavi, izvadite i servirajte.
Automatsko podgrevanje	200 do 800 g	Ohladeno 5 °C	1. Stavite hladan pirinadž ili testo u keramičku činiju pogodnu za mikrotalasnu pećnicu i pokrijte je plastičnom folijom; probušite rupe u plastici. 2. Stavite činiju u centar staklenog rotacionog stola mikrotalasne pećnice. 3. Zatvorite vrata i pritisnite dugme AUTOMATSKO PODGREVANJE i izaberite težinu okrećući DUGME MERAČA. 4. Pritisnite dugme POKRETANJE/BRZO POKRETANJE da pokrenete kuvanje. 5. Kada se tajmer zaustavi, izvadite i servirajte.
Grilovan biftek	200 do 600 g	Ambijent	1. Podjednako raširite odrezak na gril držač koji je prekriven papirom otpornim na mast. 2. Stavite gril držač u centar rotacionog staklenog stola mikrotalasne pećnice. 3. Zatvorite vrata i pritisnite dugme GRILOVAN ODREZAK i izaberite težinu okrećući DUGME MERAČA. 4. Pritisnite dugme POKRETANJE/BRZO POKRETANJE da pokrenete kuvanje. 5. Posle dve trećine vremena kuvanja, otvorite vrata da okrenete hranu, zatim zatvorite vrata i nastavite da kuvate. 6. Kada se tajmer zaustavi, izvadite i servirajte. Pazite jer hrana i escajg mogu da budu vrući.
Parčad grilovane piletine	200 do 600 g	Ambijent	1. Podjednako raširite parčad piletine na gril držač koji je pokriven papirom otpornim na mast. 2. Stavite gril držač u centar rotacionog staklenog stola mikrotalasne pećnice. 3. Zatvorite vrata i pritisnite dugme grilovane piletine i izaberite težinu okrećući DUGME MERAČA. 4. Pritisnite dugme POKRETANJE/BRZO POKRETANJE da pokrenete kuvanje. 5. Posle dve trećine vremena kuvanja, otvorite vrata da okrenete hranu, zatim zatvorite vrata i nastavite da kuvate. 6. Kada se tajmer zaustavi, izvadite i servirajte. Pazite jer hrana i escajg mogu da budu vrući.
Grilovani komadi ribe	100 do 500 g	Ambijent	1. Podjednako raširite parčad ribe na gril držač koji je pokriven papirom otpornim na mast. 2. Stavite gril držač u centar rotacionog staklenog stola mikrotalasne pećnice. 3. Zatvorite vrata i pritisnite dugme GRILOVANA RIBA i izaberite težinu okrećući DUGME MERAČA. 4. Pritisnite dugme POKRETANJE/BRZO POKRETANJE da pokrenete kuvanje. 5. Posle dve trećine vremena kuvanja, otvorite vrata da okrenete hranu, zatim zatvorite vrata i nastavite da kuvate. 6. Kada se tajmer zaustavi, izvadite i servirajte. Pazite jer hrana i escajg mogu da budu vrući.

Napomena	Režim rerne i korišćene metode	YC-PS204A	YC-PS234A i YC-PS254A	YC-PG204A	YC-PG234A, YC-PG254A i YC-PG284A
	Mikrotalasna pećnica samo pri 100%	1 šolja - 1:40 minuta 2 šolje: 3:00 minuta 3 šolje: 4:20 minuta	1 šolja - 1:30 minuta 2 šolje: 2:40 minuta 3 šolje: 3:50 minuta	1 šolja - 1:40 minuta 2 šolje: 3:00 minuta 3 šolje: 4:20 minuta	1 šolja - 1:30 minuta 2 šolje: 2:40 minuta 3 šolje: 3:50 minuta
	Mikrotalasna pećnica samo pri 100%	1 krompir - 6:00 minuta 2 krompira: 9:00 minuta 3 krompira: 13:00 minuta	1 krompir - 5:00 minuta 2 krompira: 8:00 minuta 3 krompira: 12:00 minuta	1 krompir - 6:00 minuta 2 krompira: 9:00 minuta 3 krompira: 13:00 minuta	1 krompir - 5:00 minuta 2 krompira: 8:00 minuta 3 krompira: 12:00 minuta
Za YC-PS204A i YC-PG204A dugme AUTO MENI treba da se pritisne dok se program ne pojavi.	Mikrotalasna pećnica samo pri 100%	150 g - 1:00 minut 300 g - 1:30 minuta 450 g: 2:00 minuta	150 g - 0:50 minuta 300 g - 1:20 minuta 450 g: 1:50 minuta	150 g - 1:00 minut 300 g - 1:30 minuta 450 g: 2:00 minuta	150 g - 0:50 minuta 300 g - 1:20 minuta 450 g: 1:50 minuta
	Mikrotalasna pećnica samo pri 100%	100 g: 3:00 minuta	100 g: 2:00 minuta	100 g: 3:00 minuta	100 g: 2:30 minuta
	Koristite mikrotalasnu pećnicu pri 100% za 1/2 vremena, zatim 0% za 1/6 vremena i na kraju 100% za 1/3 vremena	200 g: 8:00 minuta 400 g: 11:00 minuta 600 g: 15:00 minuta 800 g: 18:00 minuta	200 g: 6:00 minuta 400 g: 9:00 minuta 600 g: 13:00 minuta 800 g: 16:00 minuta	200 g: 8:00 minuta 400 g: 11:00 minuta 600 g: 15:00 minuta 800 g: 18:00 minuta	200 g: 6:00 minuta 400 g: 9:00 minuta 600 g: 13:00 minuta 800 g: 16:00 minuta
Za YC-PS204A i YC-PG204A dugme AUTO MENI treba da se pritisne dok se program ne pojavi.	Mikrotalasna pećnica samo pri 100%	200 g: 3:30 minuta 300 g: 4:30 minuta 400 g: 5:30 minuta 500 g: 6:30 minuta 600 g: 7:30 minuta	200 g: 3:00 minuta 300 g: 4:00 minuta 400 g: 5:00 minuta 500 g: 6:00 minuta 600 g: 7:00 minuta	200 g: 3:30 minuta 300 g: 4:30 minuta 400 g: 5:30 minuta 500 g: 6:30 minuta 600 g: 7:30 minuta	200 g: 3:00 minuta 300 g: 4:00 minuta 400 g: 5:00 minuta 500 g: 6:00 minuta 600 g: 7:00 minuta
Za YC-PS204A i YC-PG204A dugme AUTO MENI treba da se pritisne dok se program ne pojavi.	Mikrotalasna - 100%	50 g: 2:00 minuta 100 g: 3:30 minuta 150 g: 5:30 minuta	50 g: 2:00 minuta 100 g: 3:30 minuta 150 g: 5:30 minuta	50 g: 2:00 minuta 100 g: 3:30 minuta 150 g: 5:30 minuta	50 g: 2:00 minuta 100 g: 3:30 minuta 150 g: 5:30 minuta
Za YC-PG204A dugme AUTOMATSKI MENI treba da se pritisne dok se program ne pojavi.	Mikrotalasna pećnica samo pri 100%	200 g: 2:00 minuta 300 g: 2:40 minuta 400 g: 3:20 minuta 500 g: 4:00 minuta 600 g: 4:40 minuta 700 g: 5:20 minuta 800 g: 6:00 minuta	200 g: 1:30 minuta 300 g: 2:00 minuta 400 g: 2:30 minuta 500 g: 3:00 minuta 600 g: 3:30 minuta 700 g: 4:00 minuta 800 g: 4:30 minuta	200 g: 2:00 minuta 300 g: 2:40 minuta 400 g: 3:20 minuta 500 g: 4:00 minuta 600 g: 4:40 minuta 700 g: 5:20 minuta 800 g: 6:00 minuta	200 g: 1:30 minuta 300 g: 2:00 minuta 400 g: 2:30 minuta 500 g: 3:00 minuta 600 g: 3:30 minuta 700 g: 4:00 minuta 800 g: 4:30 minuta
Za YC-PG204A dugme AUTOMATSKI MENI treba da se pritisne dok se program ne pojavi.	Mikrotalasna pećnica radi pri 100% na 10 sekundi zatim se grill okreće 23 sekunde. Ovaj ciklus se ponavlja do kraja vremena kuvanja. Mikrotalasna pećnica i grill nisu nikada uključeni u isto vreme.	Nije dostupno	Nije dostupno	200 g: 15:00 minuta 300 g: 18:00 minuta 400 g: 21:00 minuta 500 g: 24:00 minuta 600 g: 27:00 minuta	200 g: 15:00 minuta 300 g: 18:00 minuta 400 g: 21:00 minuta 500 g: 24:00 minuta 600 g: 27:00 minuta
Za YC-PG204A dugme AUTOMATSKI MENI treba da se pritisne dok se program ne pojavi.	Mikrotalasna pećnica radi pri 100% na 10 sekundi zatim se grill okreće 23 sekunde. Ovaj ciklus se ponavlja do kraja vremena kuvanja. Mikrotalasna pećnica i grill nisu nikada uključeni u isto vreme.	Nije dostupno	Nije dostupno	200 g: 15:00 minuta 300 g: 18:00 minuta 400 g: 21:00 minuta 500 g: 24:00 minuta 600 g: 27:00 minuta	200 g: 15:00 minuta 300 g: 18:00 minuta 400 g: 21:00 minuta 500 g: 24:00 minuta 600 g: 27:00 minuta
Za YC-PG204A dugme AUTOMATSKI MENI treba da se pritisne dok se program ne pojavi.	Mikrotalasna pećnica radi pri 100% na 10 sekundi zatim se grill okreće 23 sekunde. Ovaj ciklus se ponavlja do kraja vremena kuvanja. Mikrotalasna pećnica i grill nisu nikada uključeni u isto vreme.	Nije dostupno	Nije dostupno	100 g: 12:00 minuta 200 g: 15:00 minuta 300 g: 18:00 minuta 400 g: 21:00 minuta 500 g: 24:00 minuta	100 g: 12:00 minuta 200 g: 15:00 minuta 300 g: 18:00 minuta 400 g: 21:00 minuta 500 g: 24:00 minuta

AUTOMATSKO ODLEĐIVANJE

Automatsko odleđivanje vam dopušta da odledite hranu težinom. Vreme odleđivanja i nivo napajanja su automatski podešeni kada se kategorija hrane i težina programiraju. Težina zaleđene hrane je u rasponu od 100 g do 1800 g.

1. U režimu pripravnosti, pritisnite **AUTOMATSKO ODLEĐIVANJE** dugme.
2. Rotirajte **BRZI BIRAČ** kontrolu da izaberete težinu hrane koja treba da se odledi.
3. Pritisnite dugme **POKRETANJE/BRZO POKRETANJE** za pokretanje ciklusa odmrzavanja.
4. Ako se rerna zaustavi u toku ciklusa odleđivanja, okrenite hranu da biste se postarali da postoji podjednako odleđivanje i zatim pritisnite **POKRETANJE/BRZO POKRETANJE** da odledite za preostalo vreme.
5. Kada je ciklus odleđivanja završen, prikaz će pokazati "**Kraj**" a ton će se čuti na svaka 2 minuta dok se dugme na pritisne ili se vrata otvore.

Automatsko odleđivanje - Operacija

Model	Opseg težine	Opseg vremena odleđivanja	Operacija odleđivanja	Metoda
YC-PG204A	100 do 1800 g	5,5 do 39,5 minuta	Stavite u mikrotalasnu pećnicu pri 40% za 1/3 vremena, zatim 20% za sledećih 1/3 vremena. Tražiće se da se okrene, kada se okrene to će odlediti pri 20% za ostatak vremena.	1. Stavite zaleđenu hranu u posuđe za mikrotalasnu pećnicu i pokrijte plastičnom folijom; probušite rupe u plastici. 2. Stavite jelo u centar rotacionog staklenog stola mikrotalasne pećnice. 3. Zatvorite vrata i pritisnite dugme AUTOMATSKO ODLEĐIVANJE i izaberite težinu okrećući DUGME MERAČA . 4. Pritisnite dugme POKRETANJE/BRZO POKRETANJE za pokretanje odmrzavanja. 5. Na sredini ciklusa odleđivanja rerna će se zaustaviti i zatražiti da se hrana okrene. 6. Otvorite vrata i okrenite/rearanzirajte hranu. Zatvorite vrata. 7. Pritisnite dugme POKRETANJE/BRZO POKRETANJE za pokretanje odmrzavanja. 8. Kada se tajmer zaustavi, uklonite hranu iz rerne. Proverite da li je hrana u potpunosti odmrznuta.
YC-PG204A	100 do 1800 g	5 do 39 minuta		
YC-PS234A i YC-PG234A	100 do 1800 g	5,5 do 39,5 minuta	Mikrotalasna pećnica pri 20% za pola vremena, tražite da okrenete. 20% snage za preostalo vreme.	
YC-PS254A, YC-PG254A i YC-PG284A	100 do 1800 g	3 do 37 minuta	Stavite u mikrotalasnu pećnicu pri 30% za 1/3 vremena, zatim 20% za sledećih 1/3 vremena. Tražiće se da se okrene, kada se okrene to će odlediti pri 20% za ostatak vremena.	

AUTOMATSKO PODGREJAVANJE*

Rerna van dozvoljava da podgrejete hranu na osnovu težine koju unese korisnik.

Vreme podgrejavanja i nivo napajanja su automatski podešeni kada se kategorija hrane i težina programiraju. Težina podgrejane hrane je u rasponu od 100 g do 800 g.

1. U režimu pripravnosti, pritisnite **AUTOMATSKO PODGREJAVANJE** dugme.
2. Rotirajte **BRZI BIRAČ** kontrolu da izaberete težinu hrane koja treba da se podgreje.
3. Pritisnite **POKRETANJE/BRZO POKRETANJE**.
4. Kada je ciklus kuvanja završen, prikaz će pokazati "**Kraj**" a ton će se čuti na svaka dva minuta dok se dugme na pritisne ili se vrata otvore.

* - Samo za modele sa roštiljem.

KUHINJSKI TAJMER

Rerna je opremljena sa kuhinjskim tajmerom koji odbrojava od podešenog vremena.

1. Dok ste u režimu pripravnosti, pritisnite **PODEŠAVANJE VREMENA/SATA** dugme jednom.
2. Okrenite **BRZI BIRAČ** da podesite željeno vreme. Najduže vreme je 95 minuta.
3. Pritisnite dugme **POKRETANJE/BRZO POKRETANJE** da potvrdite.
4. Displej će odbrojavati od podešenog vremena.
5. Kada displej dođe do nule, ton će se čuti.

Takođe je moguće koristite kuhinjski tajmer dok ste u režimu kuvanja. Da biste ovo uradili sledite korake navedene iznad dok se hrana kuva. Kada se kuhinjski tajmer aktivira, pojaviće se na displeju na pet sekundi, zatim će se displej vratiti na tajmer odbrojavanja za ciklus kuvanja. Da biste pogledali tajmer ponovo pritisnite **PODEŠAVANJE VREMENA/SATA** dugme jednom a kuhinjski tajmer će se pojaviti na pet sekundi, zatim će se vratiti na odbrojavanje tokom kuvanja.

- Da otkazete **TAJMER** program pritisnite **ZAUSTAVLJANJE/EKO** dugme i displej će prikazati vreme.
- Ako je ciklus kuvanja započet, moguće je pokrenuti kuhinjski tajmer sledeći korake iznad.

FUNKCIJA ČUVANJA NAPAJANJA

Ova funkcija dopušta napajanje da se sačuva dok se rerna ne koristi. Da biste aktivirali ovu funkciju dok ste u režimu pripravnosti, pritisnite i držite **ZAUSTAVLJANJE/EKO** dugme na 3 sekunde, displej će se isključiti; rerna će ući u režim čuvanja napajanja.

Da biste otkazali režim čuvanja napajanja, pritisnite bilo koje dugme ili otvorite i zatvorite vrata rerne.

FUNKCIJA BEZ ZVUKA

Moguće je utišati bilo koji ton sa mikrotalasne rerne koristeći funkciju bez zvuka. Da podesite funkciju bez zvuka pritisnite **ZAKLJUČAVANJE ZA DECU** dugme jednom, displej će pokazati "**oFF**" na 5 sekundi. Dok ste u režimu bez zvuka, neće biti zvuka kada se dugmad pritisne.

Da biste isključili funkciju isključivanja zvuka, jednom pritisnite tipku **ZAKLJUČAVANJE ZA DECU**, na displeju će 5 sekundi biti prikazano "**on**" što znači da je zvuk ponovo uključen.

Ako je funkcija bez zvuka podešena a rerna je isključena iz glavnog napajanja, biće otkazana kada se glavno napajanje ponovo uključi.

BEZBEDNOSNO ZAKLJUČAVANJE

Ovo je automatska funkcija da spreči rukovanje bez nadgledanja rerne od strane dece. Dok je u režimu pripravnosti, a nema rukovanja tokom jednog minuta, rerna će automatski ući u režim bezbednosnog zaključavanja i "**Loc**" će se pojaviti na prikazu. U režimu zaključavanja, sva dugmad su onemogućena. Pritisnite bilo koje dugme, indikator zaključavanja se pojavljuje na prikazu na 5 sekundi da podseti korisnika da otkáže bezbednosno zaključavanje. Da biste isključili bezbednosno zaključavanje samo otvorite i zatvorite vrata mikrotalasne pećnice i tastatura će postati aktivna ponovo a svetlo indikatora za zaključavanje će se isključiti.

ZAKLJUČAVANJE ZA DECU

Za podešavanje ZAKLJUČAVANJA ZA DECU pritisnite i držite **ZAKLJUČAVANJE ZA DECU** dugme na 3 sekunde, čuće se dugačak zvuk a displej će pokazati "**Loc**". Rerna je sada u režimu ZAKLJUČAVANJE ZA DECU. Dok je u ovom režimu, displej će pokazati sat, ako se bilo koje dugme pritisne ili se vrata otvore, "**Loc**" će se videti na 5 sekundi.

Za otkazivanje ZAKLJUČAVANJE ZA DECU, pritisnite i držite **ZAKLJUČAVANJE ZA DECU** dugme na 3 sekunde dok se dug zvuk ne čuje.

ČIŠĆENJE I BRIGA

- Isključite rernu i isključite kabl za napajanje iz zida kada čistite.
- Održavajte unutrašnjost rerne čistom. Kada se hrana prolije ili se tečnost zalepi na zidove rerne, vrh ili osnovu rerne, obrišite mokrom krpom. Blagi deterdženti mogu da se koriste ako je rerna jako prljava. Izbegavajte da koristite sprej ili druge čistače koji su jaki. Mogu da ostave mrlju, zagrebu ili oštete površinu vrata.
- Spoljašnjost rerne treba da se očisti mokrom krpom. Da biste sprečili štetu radnim delovima unutar rerne, voda ne treba da procuri u otvore za ventilaciju.
- Obrišite vrata i prozor na obe strane, vrata se zatvaraju i povezani delovi se često čiste mokrom krpom da bi se uklonilo curenje ili mrlje.
- Ne koristite abrazivne čistače.
- Ne koristite parno čišćenje.
- Ne dozvolite kontrolnom panelu da postane mokar. Čistite mekom, mokrom krpom. Kada čistite kontrolni panel, ostavite vrata otvorena da sprečite da se rerna slučajno uključi.
- Ako se para nagomilava unutar ili oko vrata rerne, obrišite mekom krpom. Ovo može da se pojavi kada se mikrotalasnom rernom rukuje pod uslovima visoke vlažnosti. Ovo nije greška.
- Osnova rotacionog stola, držač rotacionog stola i spojnice treba redovno da se čiste da bi se izbeglo zagađenje i potencijalna šteta/ogrebotina. Samo obrišite blagim deterdžentom.
- Uklonite mirise iz rerne tako što ćete kombinovati šolju vode sa sokom i korom jednog limuna u činiji za mikrotalasnu pećnicu. Ostavite u mikrotalasnoj pećnici 5 minuta. U potpunosti obrišite i osušite mekanom krpom.
- Ako se svetlo ne upali, molimo da kontaktirate korisničku uslugu za savet.
- Rernu treba redovno čistiti i bilo koji ostaci od hrane treba da se uklone. Ako ne održavate rernu u čistim uslovima to može da dovede do oštećenja površine koja može negativno da utiče na vek trajanja jedinice i može da dovede do opasne situacije.
- Ne uklanjajte ovaj uređaj sa domaćim otpadom; pogledajte savet zemalja u vezi sa uklanjanjem ovog tipa proizvoda.

ODGOVARAJUĆE POSUĐE

1. Idealni materijal za mikrotalasno posuđe je providno, dopušta energiji da prođe kroz kontejner i da ugrije hranu.
2. Mikrotalasna ne može da uđe u metal, pa metalno posuđe ili posuđe sa metalnim okvirom ne treba da se koriste.
3. Ne koristite proizvode od recikliranog papira kada se kuva u mikrotalasnoj, jer mogu da sadrže male količine fragmenata metala koji mogu da izazovu iskre i/ili požare.
4. Okruglo/ovalno posuđe a ne kvadratasto/duguljasto se preporučuje, jer hrana u uglovima hoće da se prekuva.
5. Krivi iseći aluminijumske folije mogu da se koriste da zaštite prekuvanje izloženih područja. Ali budite obazrivi i ne koristite previše i održavajte razdaljinu od 2,54 cm između folije i otvora

Spisak ispod je opšti vodič da vam pomogne da izaberete pravilno posuđe.

Posuđe	Mikrotalasna Bezbedno	Roštilj	Komentar
Posuđe za pečenje	✓ / ✗	✗	Uvek sledite uputstva proizvođača. Nemojte premašivati navedena vremena grejanja. Budite veoma pažljivi jer ovo posuđe može jako da se zagreje.
Kinesko posuđe i keramika	✓ / ✗	✗	Porcelan, glina, glazirana grnčarija i kineski porcelan su obično pogodni osim onih sa metalnom dekoracijom.
Staklo otporno na toplotu	✓	✓	Trebalo obratiti pažnju da se postara da stakleno posuđe bude odgovarajuće za korišćenje u mikrotalasnoj pećnici.
Staklo koje nije otporno na toplotu	✗	✗	
Keramika otporna na toplotu	✓	✓	Postarajte se da bilo koji keramički materijali ne budu previše debeli ili imaju visok sadržaj minerala.
Plastična činija bezbedna za mikrotalasnu pećnicu	✓	✗	Uvek proverite da li je plastična činija odgovarajuća za korišćenje u mikrotalasnoj pećnici.
Kuhinjski papir.	✓ / ✗	✗	Koristite samo kuhinjski papir koji se preporučuje za korišćenje u mikrotalasnim renama.
Stakleno e.g. Pyrex®	✓ / ✗	✓	Trebalo obratiti pažnju ako se koristi fino stakleno posuđe jer ono može da pukne ako se naglo zagreje.
Metalna tacna	✗	✓	Ne preporučuje se upotreba metalnog posuđa jer može doći do varničenja koje može izazvati požar.
Metalni stalak	✗	✓	Ne preporučuje se upotreba metalnog posuđa jer može doći do varničenja koje može izazvati požar.
Aluminijumska folija Posuđe od folije	✓ / ✗	✓	Mali komadi aluminijumske folije se mogu koristiti za zaštitu hrane od pregrevanja. Držite foliju najmanje 2,54 cm udaljeno od zidova rerne jer može doći do pojave varničenja. Posuđe od folije se ne preporučuju osim ako to nije preporučeno od proizvođača, npr. Microfoil®, pri čemu trebate pažljivo da sledite uputstva.
Folija	✓	✗	Hranu ne bi trebalo dirati, a folija treba da se probuši kako bi izašla para.
Plastika/Stiropor npr. posuđe za brzu hranu	✓	✗	Trebalo obratiti pažnju jer se neke posude deformišu, tope ili menjaju boju na visokim temperaturama.
Kese za zamrzivač/pečenje	✓	✗	Moraju biti probušene kako bi izašla para. Proverite da li su kese pogodne za upotrebu u mikrotalasnoj remini.
Karton - tanjiri, čaše i kuhinjski papir	✓	✗	Nemojte koristiti plastične ili metalne trake jer one mogu da se tope ili zapale usled 'varničenja' metala.
Slamnaste i drvene posuđe	✓	✗	Koristite ih samo za podgrevanje ili upijanje vlage. Trebalo obratiti pažnju jer pregrevanje može dovesti do požara.
Reciklirani papir i novinski papir	✗	✗	Uvek pazite na rernu kada koristite ove materijale jer pregrevanje može dovesti do požara. Oni mogu sadržati čestice metala koje mogu izazvati 'varničenje' i dovesti do požara.



UPOZORENJE: prilikom grejanja hrane u plastičnim ili papirnim posudama, obratite pažnju na rernu radi mogućnosti paljenja.

NAPOMENA: Ne ostavljajte rernu bez nadzora dok se koristi.

SAVET ZA MIKROTALASNO KUVANJE

Mikrotalasna rerna se kuva brže od konvencionalnog kuvanja. Zato je važno da određene tehnike budu poštovane da bi se dobili dobri rezultati. Mnoge od sledećih tehnika slične su onima koje se koriste u konvencionalnom kuvanju.



UPOZORENJE: Tečnosti i hrana ne smeju da se greju u zatvorenim kontejnerima ili teglama/kontejnerima sa poklopcima, jer pritisak može da se nagomila unutra i može da izazove da kontejner/tegla eksplodira.

NAPOMENE ZA SAVETE ZA KUVANJE:

- Uvek nadgledajte rernu kada se koristi.
- Postarajte se da uređaji budu odgovarajući za korišćenje u mikrotalasnoj rerni.
- Koristite samo kockice za mikrotalasnu pećnicu u okviru preporučenog pakovanja (sledite uputstva proizvođača). Nikada ne koristite ulje navedeno od proizvođača i nikada ne kuvajte duže od navedenog.



UPOZORENJE: Ako pređete preporučena vremena kuvanja i koristite nivoe napajanja koji su previsoki, hrana će se možda pregrejati, izgoreti i u ekstremnim slučajevima, zapaliti i oštetiti rernu. UPOZORENJE: Ako pređete preporučena vremena kuvanja i koristite nivoe napajanja koji su previsoki, hrana će se možda pregrejati, izgoreti i u ekstremnim slučajevima, zapaliti i oštetiti rernu.

Aranžirajte

Stavite najdeblje delove hrane ka spoljašnjosti jela npr. pileće batak.

Hrana koja je stavljena ka spoljašnjosti jela primiće više energije, pa će se brže kuvati, nego ona u centru.

Poklopite

Određena hrana je bolja ako se pokrije u toku kuvanja u mikrotalasnoj rerni.

Koristite ventilacioni mikrotalasni film ili odgovarajući poklopac.

Probušite

Hrana sa ljuskom, kožom ili membranom mora da se probuši na nekoliko mesta pre kuvanja ili podgrevanja jer će se para nagomilati i to može da izazove eksploziju. Npr. krompiri, riba, piletina, kobasice.

NAPOMENA: jaja ne treba zagrevati koristeći mikrotalasno napajanje jer mogu da eksplodiraju, čak i ako je kraj kuvanja. Npr. jaja na oko, pržena, tvrdo kuvana jaja.

Promešajte, okrenite i ponovo aranžirajte

Za jednako kuvanje bitno je da se meša, okrene i ponovo aranžira hrana u toku kuvanja. Uvek mešajte i ponovo aranžirajte izvan ka centru.

Ostavite

Vreme pauze je neophodno nakon kuvanja, jer omogućava toploti da se raširi podjednako kroz hranu.

Karakteristike hrane	
Kompozicija	Hrana koje je bogata masnoćom ili šećerom (npr. Božićni puding, pite) zahtevaju manje vremena za grejanje. Treba voditi računa jer pregrevanje može da dovede do požara. Kostu u hrani proizvode toplotu, stvarajući da se hrana brže kuva. Mora da se vodi računa da se hrana ravnomerno kuva.
Gustina	Gustina hrane će uticati na količinu vremena koje je potrebno. Svetlo, porozna hrana, kao što su kolači ili hleb, brže se kuvaju od teške, guste hrane, kao što su pečenja.
Kvantitet	Broj mikrotalasa u vašoj rerni ostaje isti bez obzira na to koliko hrane se kuva. Vreme kuvanja mora da se poveća jer se količina hrane koja se stavi u rernu povećava. npr. četiri krompira će se duže kuvati od dva.
Veličina	Mala hrana i mali delovi hrane kuvaju se brže nego veliki, jer mikrotalasi mogu da uđu na svih strana centra. Za podjednako kuvanje načinite delove iste veličine.
Oblik	Hrana koja je nepravilna u obliku, kao što su pileće grudi ili bataci, treba duže da se kuvaju u delovima koji su deblji. Za podjednako kuvanje, stavite debele delove spolja gde će primiti više energije. Okrugli oblici se kuvaju podjednako više nego kockasti oblici kada se kuva mikrotalasnim.
Temperatura hrane	Inicijalna temperatura hrane utiče na količinu potrebnog vremena kuvanja. Ohlađena hrana će se duže kuvati od hrane pri sobnoj temperaturi. Temperatura kontejnera nije prava indikacija temperature hrane ili pića. Isecite hranu koja je napunjena, na primer krofne sa džemom, da otpustite toplotu ili paru.



UPOZORENJE: Lice i ruke: uvek koristite rukavicu da uklonite hranu ili posuđe iz rerne. Stanite postrane kada otvarate vrata rerne da dopustite da se toplota ili para razidi. Kada uklanjate poklopce (kao što su film), otvarate kese za pečenje ili pakovanja kokica, usmerite paru podalje od lica i ruku.



UPOZORENJE: Proverite temperaturu hrane i pića i promešajte pre postavljanja. Naročito vodite računa kada uslužujete bebe, decu i starije. Sadržaji bočica za hranjenje i hrane za bebe treba da se promešaju ili promućkaju a temperatura treba da se proverí pre upotrebe da bi se izbegle opekotine.

SAVET ZA ODMRZAVANJE

Korišćenje mikrotalasne rerne je najbrži metod odleđivanja. To je jednostavan proces ali sledeća uputstva su bitna da bi se postaralo da hrana bude skroz odleđena.

- Uklonite sve pakovanja i zamotavanje pre odleđivanja.
- Da odleđite hranu, koristite nivoe mikrotalasnog napajanja P-20 do P-40.
- Molimo vas dapogledate dalje informacije ispod.

Ponovo aranžirajte

Hrana koja je postavljena sa spoljašnje strane posuđa će se odleđiti brže od hrane u centru. Zato je važno da hrana bude ponovo aranžirana do 4 puta u toku odleđivanja.

Pomerite nagomilane delove sa spoljašnje strane do centra i ponovo aranžirajte područja koja se preklapaju.

Ovakvo ćete se postarati da svi delovi hrane budu odleđene podjednako.

Odvojite

Hrana može da se zalepi kada se ukloni iz zamrzivača. Važno je odvojiti hranu čim je to moguće u toku odleđivanja. npr. slanina, pileći filei.

Štitnik

Neka područja odleđene hrane mogu da postanu topla. Da biste sprečili da postanu toplija i da započne kuvanje, ova područja mogu da se zaštite malim delovima folije, koji reflektuju mikrotalase. npr. bataci i krila pileta.

Ostavite

Vreme za ostavljanje je neophodno da bi se postaralo da hrana bude u potpunosti odleđena.

Odleđivanje nije potpuno kada se hrana ukloni iz mikrotalasne pećnice. Hrana mora da odstoji, da se pokrije, određeno vreme da bi se postaralo da centar bude skroz odleđen.

Okrenite

Bitno je da se sva hrana okrene do 4 puta u toku odleđivanja.

Ovo je važno da bi se postaralo potpuno odleđivanje.

SAVET ZA PODGREVANJE

Za podgrevanje hrane, sledite savete i smernice ispod da se postarate da hrana bude u potpunosti podgrejana pre serviranja.

Jela na tanjiru

Uklonite porcije od živine ili mesa, ove podgrejte odvojeno, pogledajte ispod.

Stavite manje stavke hrane na centar tanjira, veću i deblju hranu na ivicu. Pokrijte sa ventiliranim mikrotalasnim filmom i podgrejte na P-50, mešajte/ponovo aranžirajte na pola do potpunog podgrevanja.

NAPOMENA: Postarajte se da je hrana u potpunosti podgrejana pre serviranja.

Odsečeno meso

Pokrijte se ventiliranim mikrotalasnim filmom i podgrejte na nivo napajanja P-60. Ponovo aranžirajte najmanje jednom da biste se postarali da postoji podjednako podgrejavanje.

NAPOMENA: Postarajte se da meso bude u potpunosti podgrejano pre serviranja.

Porcije živine

Postavite najdeblje delove porcije na spoljašnjost posuđa, pokrijte ventiliranim mikrotalasnim filmom i podgrejte na nivo napajanja P-70.

Okrenite na pola u toku podgrevanja.

NAPOMENA: Postarajte se da živina bude skroz podgrejana pre serviranja.

Kaserola

Pokrijte sa ventiliranim mikrotalasnim filmom ili odgovarajućim poklopcem i podgrejte na nivou napajanja P-50.

Često mešajte da biste se postarali da postoji podjednako podgrejavanje.

NAPOMENA: Postarajte se da je hrana u potpunosti podgrejana pre serviranja.

Da biste dobili najbolje rezultate podgrevanja, izaberite odgovarajući nivo mikrotalasnog napajanja koji odgovara tipu hrane. Npr. činija sa povrćem može da se podgreje na nivou napajanja P-100, dok lazanje koje sadrže sastojke koji ne mogu da se promešaju treba da se podgreju na nivou napajanja P-40.

NAPOMENE:

- Uklonite hranu sa folije ili metalnih kontejnera pre podgrevanja.
- Na vreme podgrevanja će uticati oblik, dubina, kvantitet i temperatura hrane zajedno sa veličinom, oblikom i materijalom kontejnera.



UPOZORENJE: Nemojte nikad grejati tečnosti u posudama sa uskim grlom jer to može dovesti do izlivanja sadržaja iz posude i stvaranja opekotina.

- Da biste izbegli pregrevanje i požar, obratite posebnu pažnju prilikom ponovnog zagrevanja hrane sa velikom količinom šećera ili masti, na primer pita ili pudinga.
- Nikada ne zagrevajte ulje ili mast za duboko prženje jer ovo može da dovede do pregrevanja i požara.
- Krompir u limenci ne treba da se podgreje u mikrotalasnoj pećnici, sledite uputstva proizvođača na limenci.



UPOZORENJE: Sadržaj bočica za hranjenje i činija za dečju hranu mora da se promeša ili promućka a temperatura proverí pre jela da bi se izbegle opekotine.

REŠAVANJE PROBLEMA

Ako mislite da rerna ne radi pravilno postoji nekoliko jednostavnih provera koje možete sami da izvršite pre nego što pozovete inženjera. To će sprečiti nepotrebne servisne pozive ako je greška nešto jednostavno.

Sledite ovu jednostavnu proveru ispod:

Stavite pola čaše vode na rotacioni sto i zatvorite vrata. Podesite tajmer da kuva 1 minut koristeći nivo napajanja mikrotalasne pećnice P-100.

1. Da li se lampa rerne pali kada kuva?
2. Da li ventilator za hlađenje radi? (Proverite stavljajući ruku iznad otvora ventilatora za vazduh.)
3. Nakon 1 minuta da li se čuje zvučni signal?
4. Ako odgovorite na „NE“ na bilo koje pitanje prvo proverite da li je rerna uključena pravilno i da nije iskočio osigurač. Ako nema greške ni sa jednim, proverite grafikon sa rešavanjima problema koji se nalazi ispod.



UPOZORENJE: Nikada ne prilagođavajte, opravljajte niti menjajte rernu sami. Opasno je za svakog ko nije SHARP stručan inženjer da izvršava servisiranje ili opravku. Ovo je važno jer može da uključuje uklanjanje poklopaca koji nude zaštitu od mikrotalasne energije.

- Pečat vrata zaustavlja curenje mikrotalasa u toku rukovanja rernom, ali ne formira pečat otporan na vazduh. Normalno je što ćete videti kapi vode, svetlo ili osetiti topao vazduh oko vrata rerne. Hrana sa visokim sadržajem vlažnosti će otpustiti paru i izazvati kondenzaciju unutar vrata koja može da curi iz rerne.
- Popravke i modifikacije: ne pokušavajte da rukujete rernom ako ne radi pravilno.
- Spoljni ormarić i pristup lampi: nikada ne uklanjajte spoljni ormarić. Ovo je jako opasno usled delova viskog napona koji nikada ne smeju da se dodirnu, jer bi ovo moglo da bude fatalno. Vaša rerna je opremljena sa poklopcem pristupne lampe. Ako se lampa ne upali, ne pokušavajte da zamenite lampu sami, pozovite SHARP ovlašteni servisni objekat.

GRAFIKON ZA REŠAVANJE PROBLEMA

UPIT	ODGOVOR
Promaja cirkuliše oko vrata.	Kada rerna radi, vazduh cirkuliše u otvoru. Vrata ne formiraju pečat u koji ne može da uđe vazduh pa vazduh može da izađe iz vrata.
Kondenzacija se formira u rerni i može da curi sa vrata.	Otvor rerne će obično biti hladniji od hrane koja se kuva, tako da će para koja se proizvodi kada se kuva biti kondenzovana na hladnijim površinama. Količina pare koja se proizvodi zavisi od sadržaja vode hrane koja se kuva. Neka hrana, kao što su krompiri imaju visok sadržaj vlažnosti. Kondenzacija zaglavljena u staklenim vratima treba da nestane nakon nekoliko sati.
Blještanje ili varničenje iz otvora kada se kuva.	Varničenje će se pojaviti kada metalni objekat dođe u blisku blizinu otvora rerne u toku kuvanja. Ovo može da pogrubi površinu otvora, ali ne može drugačije da ošteti rernu.
Varničenje krompira.	Postarajte se da sve „oči“ budu uklonjene sa krompira i da su probušeni, stavite direktno na okrugao sto ili u činiju otpornu na toplotu ili slično.
Kada se koristi rerna u režimu samo grila može da se primeti da se elemenat grejanja ne pojavljuje sve vreme.	To je zato što se elemenat grila uključuje i isključuje da bi održao temperaturu rerne pri unapred podešenom nivou.
Kada se koristi gril u režimu kombinacije, ne izgleda kao da je uključen.	U toku režima kombinovanog kuvanja (mikrotalasna i gril), rerna će preći između dve funkcije. Mikrotalasne i gril funkcije se neće uključiti u isto vreme.
Rerna ne radi kada se dugme POKRETANJE/BRZO POKRETANJE pritisne.	Proverite da li su vrata pravilno zatvorena.
Rerna presporo kuva.	Postarajte se da je pravilan nivo napajanja izabran.
Rerna pravi buku.	Dok se mikrotalasne pećnica uključuje i isključuje buka može da se čuje, to je normalno.
Nakon kuvanja rerna pušta buku ili izgleda kao da još radi.	Na kraju ciklusa kuvanja ventilator može da ostane uključen nekoliko minuta da bi ohladio rernu. Ovo je normalno.
Spoljni ormarić je vreo.	Ormarić može da postane topao na dodir - čuvajte decu podalje.
"LoC" se pojavljuje na prikazu kada je dugme pritisnuto.	Nakon 30 sekundi rerna će ući u režim zaključavanja što dovodi do toga da nijedna dugmad ne funkcionišu. Otvorite i zatvorite vrata i dugmad će ponovo proraditi. Takođe proverite da li jedinica nije u režimu zaključavanja.
"Greška" se pojavljuje na prikazu i zvučni signal se čuje iz rerne na svaki minut.	Ako dugmad na kontrolnom panelu budu pritisnuti neprekidno duže od 1 minuta ovo će se desiti. Isključite rernu iz glavnog dovoda na nekoliko minuta i ponovo uključite.
Rerna pušta zvuk svakih 30 sekundi.	Nakon što se kuvanje završi a vrata se ne otvore, zvučni signal će se čuti na svakih 30 sekundi. Da bi se ovo zaustavilo otvorite a zatim zatvorite vrata.

PRE POZIVANJA POMOĆI

Pre nego zatražite uslugu, molimo da proverite svaku stavku ispod:

- Proverite da se postarate da je rerna čvrsto uključena. Ako nije, uklonite utičnicu iz utikača, sačekajte 10 sekundi i uključite je ponovo.
- Proverite da li neko kolo nije iskočilo ili je glavni osigurač iskočio. Ako ovo radi pravilno, testirajte izlaz na drugi uređaj.
- Proverite da li su napajanje i dugmad tajmera podešeni pravilno.
- Proverite da li su vrata dobro zatvorena uključujući sistem bezbednosnog zaključavanja vrata. U suprotnom, energija mikrotalasne penice neće teći u rernu.

AKO NIŠTA IZNAD NE REŠAVA SITUACIJU, KONTAKTIRAJTE KVALIFIKOVANOG TEHNIČARA. NE POKUŠAVAJTE DA PRILAGODITE ILI OPRAVITE RERNU SAMI.



Uppmärksamma:

Produkten är märkt med den här symbolen. Det betyder att förbrukade elektriska och elektroniska produkter inte ska blandas med vanliga hushållssopor. Det finns ett separat insamlingssystem för dessa produkter.



www.sharpconsumer.com/contact/



www.sharpconsumer.com/support/



www.sharpconsumer.com/documents-of-conformity/

A. Information om återvinning för användare (privata hushåll)

1. I Europeiska unionen

Obs: Om du vill kassera denna utrustning, använd inte den vanliga soptunnan!

Använd elektrisk och elektronisk utrustning måste hanteras separat och i enlighet med lagstiftning som kräver korrekt hantering, återvinning och återanvändning av begagnad elektrisk och elektronisk utrustning. Följande implementationen av medlemsstaterna, kan privata hushåll inom EU-länderna återlämna deras begagnade elektriska och elektroniska produkter till särskilda insamlingsplatser gratis*.

I vissa länder* kan din lokala återförsäljare också ta tillbaka din gamla produkt gratis om du köper en liknande ny.

*) Vänligen kontakta din lokala myndighet för ytterligare detaljer.

Om din använda elektriska eller elektroniska utrustning har batterier eller ackumulatörer, ska du kasta dem separat i förväg enligt lokala krav. Genom att avyttra denna produkt på korrekt sätt kommer du att bidra till att säkerställa att avfall genomgår nödvändig behandling, återvinning och materialåtervinning och därmed förhindra eventuella negativa effekter på miljön och människors hälsa som annars kan uppkomma på grund av felaktig sophantering.

2. I andra länder utanför EU

Om du vill kassera denna produkt ska du kontakta de lokala myndigheterna och fråga efter rätt metod för avfallshantering.

För Schweiz: Förbrukade elektriska eller elektroniska produkter kan returneras kostnadsfritt till återförsäljaren, även om du inte köper en ny produkt. Fler insamlingsställen finns listade på hemsidan www.swico.ch och www.sens.ch.

B. Information om avfallshantering för företagsanvändare

1. I Europeiska unionen

Om produkten används för yrkesmässiga ändamål och du vill kassera den: Kontakta din SHARP återförsäljare som kommer att informera dig om återtagning av produkten. Du kan debiteras för de kostnader som uppstår vid återtagning och återvinning. Små produkter (och små mängder) kan tas tillbaka av dina lokala återvinningsstationer.

För Spanien: Kontakta det etablerade insamlingssystemet eller de lokala myndigheterna för återtagning av dina förbrukade produkter.

2. I andra länder utanför EU

Om du vill kassera denna produkt ska du kontakta de lokala myndigheterna och fråga efter rätt metod för avfallshantering.

För service gå till www.sharpconsumer.com/contact/, för dina garantirättigheter gå till www.sharpconsumer.com/support/ eller kontakta återförsäljaren där du köpte din produkt.

Försäkran om överensstämmelse är tillgänglig från www.sharpconsumer.com/documents-of-conformity/

FÖRSIKTIGHETSÅTGÄRDER FÖR ATT UNDVIKA MÖJLIG EXPONERING FÖR MIKROVÅGSENERGI

1. Försök inte att använda den här ugnen med luckan öppen eftersom det kan leda till skadlig exponering för mikrovågsenergi. Det är viktigt att inte åsidosätta eller mixtra med säkerhetslåsen.
2. För inte in något mellan ugnens framsida och luckan och låt inte skräp eller rester av rengöringsmedel samlas på tätningssytor.
3. Använd inte ugnen om den är skadad. Det är mycket viktigt att ugnsluckan stängs ordentligt och att det inte finns några skador på luckan, gångjärnen, spärrarna eller dörrtätningarna och tätningssytor.
4. Försök inte reparera eller justera ugnen.

INNEHÅLL

VIKTIGA SÄKERHETSANVISNINGAR	3
INSTALLATION.....	10
RADIOSTÖRNINGAR.....	11
JORDINSTRUKTIONER.....	11
SPECIFIKATIONER	11
UGN OCH TILLBEHÖR.....	12
KONTROLLPANEL.....	13
INNAN DU ANVÄNDER UGNEN.....	14
STÄLLA IN KLOCKAN.....	14
MIKROVÅGSTILLAGNING	15
SNABBSTART	16
GRILLTILLAGNING*.....	16
MIKROVÅG+GRILL*	16
AUTOMENY	17
AUTOMATISK UPPTINING.....	20
AUTOMATISK UPPVÄRMNING*	20
KÖKSTIMER	21
ENERGISPARFUNKTION	21
MUTE-FUNKTION.....	22
SÄKERHETSLÅS.....	22
BARNLÅS.....	22
RENGÖRING OCH UNDERHÅLL	23
LÄMPLIGA UGNSKÄRL	24
MATLAGNINGSRÅD FÖR MIKROVÅGSUGN	25
UPPTININGSRÅD.....	27
UPPVÄRMNINGSRÅD.....	28
FELSÖKNING.....	29
INNAN DU RINGER OM HJÄLP	31

* - Endast för modeller med grill.

VIKTIGA SÄKERHETSANVISNINGAR

LÄS NOGGRANT OCH SPARA FÖR FRAMTIDA BRUK

För att undvika brandfara. Mikrovågsugnen bör inte lämnas utan uppsikt under användning. Effektnivåer som är för höga, eller tillagningstider som är för långa, kan överhätta maten och orsaka brand.

Denna ugn är avsedd att endast användas på en bänkskiva. Den är inte avsedd att byggas in i en köksenhet. Placera inte ugnen i ett skåp. Eluttaget måste vara lättillgängligt så att enheten lätt kan kopplas ur i en nödsituation.

Växelströmförsörjningen måste vara 230-240 V, 50 Hz, med minst 10 A distributionssäkring, eller minst 10 A distributionsbrytare. En separat krets som endast tjänar denna apparat bör tillhandahållas.

Placera inte ugnen i områden där värme genereras. Till exempel nära en vanlig ugn. Installera inte ugnen i ett område med hög luftfuktighet eller där fukt kan samlas. Förvara eller använd inte ugnen utomhus.

Om rök observeras, slå av eller koppla ur ugnen och håll luckan stängd för att kväva eventuella flammor.

Använd endast mikrovågssäkra behållare och redskap. Redskapen bör kontrolleras för att säkerställa att de är lämpliga för användning i mikrovågsugnar.

När du värmer mat i plast- eller pappersbehållare, håll koll på ugnen på grund av risken för antändning.

Rengör vågledarskyddet och ugnsutrymmet. Dessa måste vara torra och fria från fett. Gammalt fett kan överhettas och börja ryka eller fatta eld.

Placera inte lättantändliga material nära ugnen eller ventilationsöppningarna. Blockera inte ventilationsöppningarna.

Ta bort alla metalltätningar, påsklämmor, etc., från livsmedel och förpackningar. Gnista på metallytor kan orsaka brand.

Använd inte mikrovågsugnen för att värma olja till fritering. Temperaturen kan inte kontrolleras och oljan kan fatta eld.

För att göra popcorn, använd bara speciella mikrovågsugnpopcornstillverkare.

Förvara inte mat eller andra föremål inuti ugnen.

Kontrollera inställningarna när du startar ugnen för att säkerställa att ugnen fungerar som du önskar.

Lämna inte ugnen utan uppsikt medan den är igång.

För att undvika överhettning och brand måste särskild försiktighet iakttas vid matlagning eller uppvärmning av mat med hög socker- eller fetthalt, t ex korvar, pajer eller puddingar. Se motsvarande tips i bruksanvisningen.

För att undvika möjligheten för skada. VARNING:

Använd inte ugnen om den är skadad eller inte fungerar. Kontrollera följande före användning:

- a) Se till att luckan stängs ordentligt och att den inte är feljusterad eller skev.
- b) Kontrollera att gångjärnen och säkerhetslucklåsen inte är trasiga eller lösa.
- c) Se till att dörrtätningarna och tätningsytorna inte har skadats.
- d) Se till att det inte finns några bucklor inuti ugnsutrymmet eller på luckan.
- e) Se till att strömkabeln och kontakten inte är skadade.

Om luckan eller tätningar är skadade, får ugnen inte användas förrän den har reparerats av en behörig person.

Justera aldrig, reparera eller ändra ugnen själv. Det är farligt för andra än en behörig person att utföra service eller reparation som innefattar borttagande av ett hölje som

skyddar mot exponering av mikrovågor.

Använd inte ugnen med dörren öppen eller ändra luckans säkerhetslås på något sätt. Använd inte ugnen om det finns något föremål mellan lucktätningen och tätningsytorna.

Låt inte fett eller smuts samlas på luckans tätningar och närliggande delar. Rengör ugnen med jämna mellanrum och ta bort eventuella matrester.

Följ instruktionerna för "Skötsel och rengöring". Underlåtenhet att hålla ugnen ren kan leda till en försämring av ytan vilket kan negativt påverka livslängden för enheten och möjligen resultera i en farlig situation.

Personer med PACEMAKER bör kontrollera med sin läkare eller tillverkaren av pacemakern om försiktighetsåtgärder beträffande mikrovågsugnar.

För att undvika risken för elektriska stötar.

- Under inga omständigheter bör du ta bort det yttre höljet.
- Spill aldrig eller stoppa in föremål i dörrspärrarnas öppningar eller ventilationsöppningarna. I händelse av spill, stänga av och koppla ur ugnen omedelbart och ring en auktoriserad SHARP servicetekniker.
- Doppa inte strömsladden eller kontakten i vatten eller annan vätska.
- Låt inte nätsladden hänga över kanten på ett bord eller arbetsyta.
- Håll nätsladden borta från heta ytor, inklusive baksidan av ugnen.
- Håll apparaten och dess sladd oåtkomliga för barn under 8 år.
- Försök inte att byta ut ugnslampan själv eller låta någon som inte är en elektriker som godkänts av SHARP att göra det. Om ugnslampan inte lyser, kontakta din återförsäljare eller en auktoriserad SHARP servicetekniker.

- Om strömsladden skadas måste den bytas ut av en auktoriserad SHARP servicerepresentant.

VARNING: Vätskor och andra livsmedel får inte värmas i förslutna behållare eftersom de kan explodera. Mikrovågsuppvärmning av drycker kan leda till fördröjd kokning. därför måste man vara försiktig när man hanterar behållaren. För att undvika risken för explosion och plötslig kokning:

Använd aldrig slutna behållare. Ta bort förslutningar och lock före användning. Slutna kärl kan explodera på grund av en tryckökning även efter att ugnen har stängts av. Var försiktig när du mikrovågsvärmer vätskor. Använd en behållare med bred öppning så att bubblorna kan komma ut.

Värm aldrig vätska i behållare med smal hals såsom nappflaskor, eftersom detta kan resultera i att innehållet erupterar ur behållaren vid uppvärmning och orsakar brännskador.

För att förhindra plötslig eruption av kokande vätska och eventuell skällning:

1. Använd inte alltför mycket tid.
2. Rör om i vätskan före uppvärmning/återuppvärmning.
3. Det är lämpligt att infoga en glasstav eller liknande (inte metall) i vätskan under återuppvärmning.
4. Låt vätskan stå minst 20 sekunder i ugnen i slutet av koktiden för att förhindra fördröjd eruptiv kokning.

Koka inte ägg i sina skal och hela hårdkokta ägg får inte värmas i mikrovågsgugn eftersom de kan explodera även efter att mikrovågstillagningen har avslutats. Att koka eller värma ägg som inte är knäckta eller blandade, stick hål i vitan och gulan. Skala och skiva hårdkokta ägg innan du värmer dem i mikrovågsgugnen.

Perforera skinnet på sådana livsmedel som potatis, korv och frukt före tillagning, annars kan de explodera.

VARNING: Innehållet i nappflaskor och barnmatsburkar skall röras om eller skakas och temperaturen kontrolleras före konsumtion, för att undvika brännskador. Använd grytlappar eller ugnshandskar när du tar ut mat ur ugnen för att förhindra brännskador. För att undvika risken för brännskador:

- Öppna alltid behållare, popcornpåsar, tillagningspåsar etc., vända bort från ansiktet och händerna för att undvika ångbrännskador och utsläpp av ånga. För att undvika brännskador, testa alltid mattemperaturen och rör om innan servering och ägna särskild uppmärksamhet åt temperaturen på mat och dryck som ges till spädbarn, barn eller äldre. Åtkomliga delar kan bli varma vid användning. Små barn bör hållas borta.
- Temperaturen på behållaren är inte en sann indikation på temperaturen på mat eller dryck, kontrollera alltid matens temperatur.
- Stå alltid en bit från ugnsluckan när du öppnar den för att undvika brännskador från ånga och värme.
- Skiva fyllda bakade maträtter efter uppvärmning för att släppa ut ånga och undvika brännskador.
- Håll barn borta från luckan för att förhindra att de bränner sig.

VARNING: Tillåt endast barn från 8 år och äldre använda ugnen utan tillsyn när tillräckliga instruktioner har getts så att barnet kan använda ugnen på ett säkert sätt och förstår riskerna med felaktig användning.

När apparaten används i GRILL, MIX GRILL, KONVEKTION, MIX KONVEKTION och AUTOMENY (läge gäller för modell), bör barn endast använda ugnen under överinseende av en vuxen på grund av den genererade temperaturen.

Denna apparat är inte avsedd att användas av personer (inklusive barn) med nedsatt fysisk, sensorisk eller mental förmåga, eller brist på erfarenhet och kunskap, såvida de inte övervakas eller har blivit instruerade om användningen av apparaten av en person som ansvarar för deras säkerhet.

Barn bör övervakas för att se till så att de inte leker med apparaten. Rengöring av barn bör övervakas.

Modeller med elektronisk pekskärm är aktiverade med barnlåsläge.

Luta dig inte eller gunga på ugnsluckan. Lek inte med ugnen eller använd den som en leksak.

Barn bör lära sig alla viktiga säkerhetsinstruktioner: användning av grytlorpar, försiktigt avtagande av matförpackningar, med speciell uppmärksamhet på förpackningar (t.ex. självupphettande material) som syftar till att göra mat frasig, eftersom de kan vara extra varma.

Andra varningar

Ändra aldrig ugnen på något sätt.

Flytta inte ugnen när den är i drift.

Denna apparat är avsedd att användas i hushåll. Denna ugn är avsedd för tillagning av hemmamät och får endast användas för tillagning av mat och dryck. Torkning av mat eller kläder och uppvärmning av värmekuddar, tofflor, svampar, fuktig trasa och liknande kan leda till risk för personskador, antändning eller brand. Den är inte lämplig för kommersiell användning eller laboratoriebruk.

För att främja problemfri användning av din ugn och undvika skador.

Använd aldrig ugnen när den är tom. När du använder en brynskål eller självupphettande material, placera alltid något

värmeisolerande t.ex. en porslinstallrik under för att förhindra skador på ugnens botten på grund av värmestress. Den föruppvärmningstid som anges i instruktionerna får inte överskridas.

Använd inte metallredskap, som återkastar mikrovågor och kan orsaka elektriska överslag. Ställ inte konservburkar i ugnen.

För att förhindra att den roterande tallriken eller ugnsbotten går sönder:

- a) Innan du rengör med vatten, låt svalna.
- b) Placera inte varm eller kall mat eller heta husgeråd på en kall roterande tallrik/ugnsbotten.
- c) Placera inte någonting på det yttre höljet under användning.

OBS:

Använd inte plastbehållare för mikrovågsugn om ugnen fortfarande är varm från kombinationsläge (beroende av ugnsmoddell) eftersom de kan smälta.

Plastbehållare får inte användas under dessa lägen såvida inte behållarens tillverkare säger att de är lämpliga.

Om du är osäker på hur du ansluter din ugn, kontakta en auktoriserad elektriker.

Varken tillverkaren eller återförsäljaren kan ta något ansvar för skador på ugnen eller personskador till följd av underlåtenhet att iaktta korrekt elektrisk anslutning.

Vattenånga eller droppar kan ibland bildas på ugnens väggar eller runt luckans tätningar och tätningssytor. Detta är en normal förekomst och är inte en indikation på mikrovågsläckage eller fel.

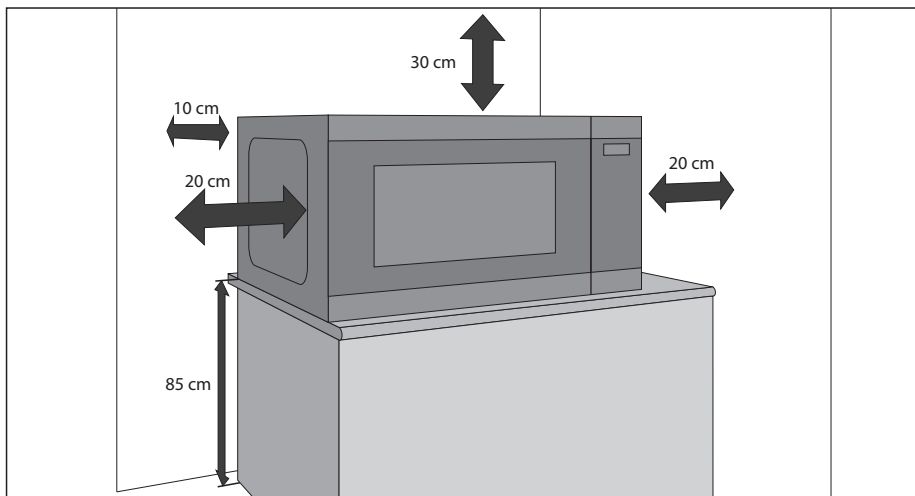
Denna apparat är avsedd för användning i hushåll och liknande applikationer som; Köksytor reserverade för personal i butiker, kontor och andra professionella miljöer / Gårdar / Användning av kunder på hotell, motell och andra boendemiljöer / Bed and breakfast-miljöer.



Symbolen betyder att ytorna kan bli heta under användning.

INSTALLATION

1. Ta bort allt förpackningsmaterial från insidan av ugnsutrymmet och ta bort skyddsfilmerna som finns på mikrovågsugnsens skåpsyta.
 2. Kontrollera ugnen noga för tecken på skada.
 3. Placera ugnen på en säker, plan yta, stark nog att bära ugnens vikt och det tyngsta föremål som sannolikt kommer att tillagas i ugnen. Placera inte ugnen i ett skåp.
 4. Välj en plan yta som ger tillräckligt öppet utrymme för luftintag och/eller luftutsläpp. Se bild på första sidan. Den bakre ytan av apparaten kan placeras mot en vägg.
- Minsta installationshöjd är 85 cm.
 - Ett avstånd på minst 20 cm krävs mellan sidorna på mikrovågsugnen och eventuella angränsande väggar eller föremål.
 - Lämna ett avstånd på minst 30 cm ovanför ugnen.
 - Ta inte bort fötterna från botten av ugnen.
 - Att blockera intags- och/eller utsläppsöppningarna kan skada ugnen.
 - Placera ugnen så långt bort från radio- och TV-apparater som möjligt. Användning av mikrovågsugnen kan orsaka störningar på din radio- eller TV-mottagning.



5. Anslut ugnens stickkontakt säkert till ett standard jordat hushållseluttag.

WARNING:

Placera inte ugnen där värme, fukt eller hög luftfuktighet alstras, (t.ex. nära eller ovanför en vanlig ugn) eller i närheten av brännbara material (t.ex. gardiner).

Blockera inte eller stör luftventilsöppningar.

Placera inga föremål ovanpå ugnen.

Rör inte utsidan av mikrovågsugnen under eller strax efter användning eftersom den blir varm.

RADIOSTÖRNINGAR

Användning av mikrovågsugnen kan orsaka störningar på din radio, TV eller liknande utrustning. Om det finns störningar kan det minskas eller elimineras genom att vidta följande åtgärder:

1. Rengör luckan och hålrummet där de möts.
2. Ändra riktningen för den mottagande antennen på radion eller tv: n.
3. Omplacera mikrovågsugnen i förhållande till mottagaren.
4. Anslut mikrovågsugnen till ett annat uttag så att mikrovågsugn och mottagare inte är på samma nätkrets.

JORDINSTRUKTIONER

Denna apparat måste jordas. Denna ugn är utrustad med en sladd med en jordningskabel med en jordningskontakt. Den måste anslutas till ett vägguttag som är korrekt installerat och jordat. I händelse av elektrisk kortslutning minskar jordningen risken för elektriska stötar genom att tillhandahålla en utrymningskabel för den elektriska strömmen. Det rekommenderas att en separat krets som endast tjänar ugnen tillhandahålls.



VARNING: Felaktig användning av jordningskontakten kan leda till risk för elektriska stötar.

OBS:

1. Kontakta en behörig elektriker eller servicepersonal om du har några frågor om jordning eller elektriska instruktioner.
2. Varken tillverkaren eller återförsäljaren kan ta något ansvar för skador på ugnen eller personskadorna till följd av underlåtenhet att iaktta korrekt elektrisk anslutning.

Nätkabeln som används i din mikrovågsugn använder följande färgkodade kablar:

Grön och gul = JORD

Blå = NEUTRAL

Brun = STRÖMFÖRÄNDE

SPECIFIKATIONER

Modellnamn:	YC-PS204A	YC-PS234A	YC-PS254A	YC-PG204A	YC-PG234A	YC-PG254A	YC-PG284A
Nätspänning	230–240 V, 50 Hz enfas						
Distributionsnättsäkring/kretsskydd	10 A						
Ström:	Mikrovågsugn	700 W	900 W	900 W	700 W	900 W	900 W
	Grill				900 W	1000 W	1000 W
	Av-läge				<0,5 W		
	Energisparläge				>0,5 W		
	Nödvändig effekt	1200 W	1400 W	1400 W	1400 W	1400 W	1400 W
Mikrovågsfrekvens	2450 MHz*						
Yttremått (B) x (H) x (D) mm	455 x 274 x 334	483 x 281 x 377	483 x 281 x 403	455 x 274 x 345	483 x 281 x 395	483 x 281 x 403	539 x 309 x 441
Innermått (B) x (H) x (D)** mm	315 x 198 x 297	340 x 220 x 320	340 x 220 x 344	315 x 198 x 297	340 x 220 x 320	340 x 220 x 344	354 x 220 x 358
Ugnsvolym	20 liter**	23 liter**	25 liter**	20 liter**	25 liter**	25 liter**	28 liter**
Diameter på den roterande tallriken	245 mm	270 mm	270 mm	245 mm	270 mm	270 mm	325 mm
Grillställ storlek (B) x (D) mm				190 x 79	80 x 208	80 x 208	89 x 285
Vikt	Ca. 10,5 kg	Ca. 12,9 kg	Ca. 13,5 kg	Ca. 10,9 kg	Ca. 13,9 kg	Ca. 13,7 kg	Ca. 16,6 kg
Ugnsampa (LED-typ)	1,5W						

* - Denna produkt uppfyller kraven i den europeiska standarden EN55011.

I överensstämmelse med denna standard, är denna produkt klassificerad som grupp 2 klass B-utrustning.

Grupp 2 innebär att utrustningen avsiktligt genererar radiofrekvent energi i form av elektromagnetisk strålning för uppvärmningsbehandling av livsmedel.

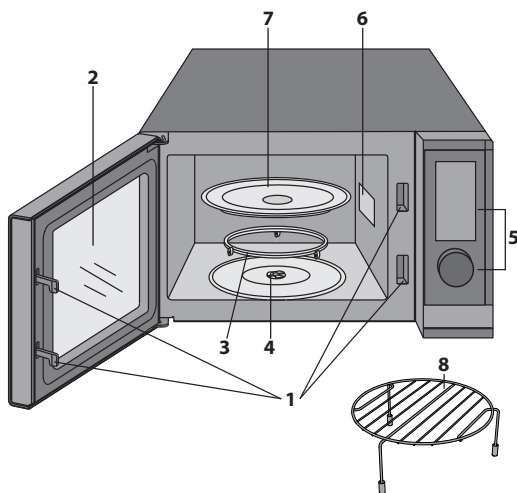
Klass B-utrustning innebär att utrustningen är lämplig för användning i hemmiljö.

** - Intern kapacitet beräknas genom att mäta maximal bredd, djup och höjd. Faktisk kapacitet att innehålla mat är mindre.

SOM DEL AV EN POLICY FÖR KONTINUERLIG FÖRBÄTTRING FÖRBEHÅLLER VI OSS RÄTTEN ATT ÄNDRA FORMGIVNING OCH SPECIFIKATIONER UTAN FÖRVARNING.

UGN OCH TILLBEHÖR

1. Lucksäkerhetslåssystem
2. Ugnsfönster
3. Vändfot
4. Tallrikskoppling
5. Rullknapp och kontrollknappar
6. Vågledarskydd (Ta inte bort)
7. Glastallrik
8. Grillställ för YC-PG204A, YC-PG234A, YC-PG254A och YC-PG284A
9. Ventilationsöppningar
10. Ytterhölje
11. Nätsladd



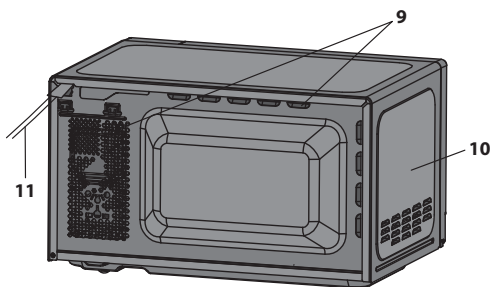
Kontrollera att följande tillbehör finns med:

Endast grillugnar:

- **Grillställ** – endast för användning vid tillagning på grillfunktionen.
- Grillstället är endast utformat för användning med grillugnar. ANVÄND INTE stället när du använder mikrovågsfunktionen.
- För användning av grillstället se avsnitten GRILL i denna bruksanvisning.

Rör aldrig grillen när den är varm.

OBS: Vid beställning av tillbehör ska två saker anges: delens namn och modellnamnet.



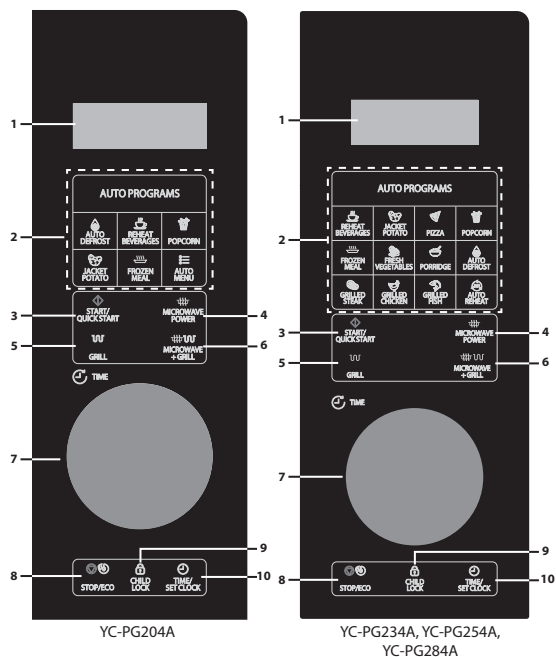
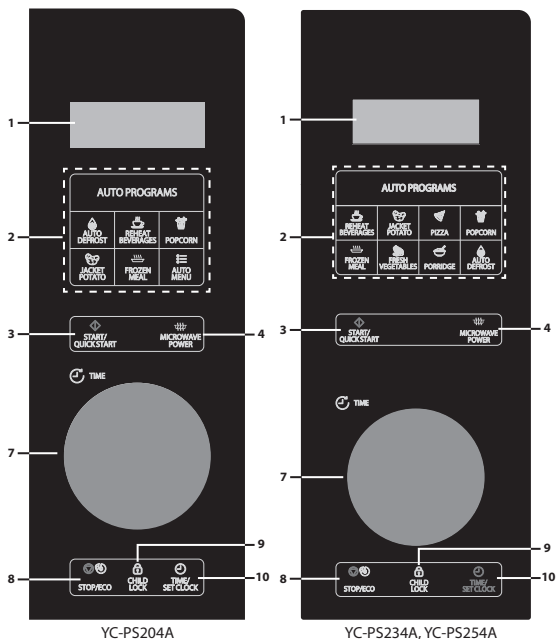
ANMÄRKNINGAR:

- Efter tillagning av feta livsmedel utan skydd, rengör alltid utrymmet noggrant, dessa måste vara torra och fria från fett. Gammalt fett kan överhettas och börja ryka eller fatta eld.
- Vid mikrovågstillagning, placera alltid kokkäril på den roterande tallriken.
- ANVÄND INTE grillstället på funktionen enbart mikrovågsugn.

! WARNING: ⚠ Symbolen betyder att ytorna kan bli heta under användning. Luckan, ytterhöljet, ugnsutrymmet, tillbehör och rätter blir mycket varma under drift. För att förhindra brännskador, använd alltid tjocka grillvantar.

KONTROLLPANEL

- DIGITAL DISPLAY** – Tillagningstid, effekt, indikatorer och klocktid visas.
- AUTOMENY-knappar** – Tryck för att välja menyn för automatisk tillagning. (Se sidan 17 för råd om användning).
- START/QUICK START (START/ SNABBSTART)** – (Sida 16).
- MICROWAVE POWER** (MIKROVÅGSEFFEKT) – Tryck för att välja mikrovågseffektnivå. (Sida 15).
- GRILL** – Tryck för att ställa in grilltillagningsprogrammet. (Sida 16).
- MICROWAVE+GRILL** (MIKROVÅG+GRILL) – Tryck för att ställa in mikrovågs- och grillkombinationsprogrammet. (Sida 16).
- RULLKNAPP** – Vrid medurs eller moturs för att ställa in olika funktioner.
- STOP/ECO (STOPP/EKO)** – Tryck en gång för att tillfälligt stoppa tillagningen, eller två gånger för att helt avbryta tillagningen. Används för att ställa in energisparläge. (Sida 21).
- CHILD LOCK (BARNLÅS)** – (Sida 22).
- TIME/SET CLOCK (TIS/STÅLL KLOCKA)** – Används för att ställa in klocktid. Används för att ställa in timerfunktionen (Sida 14).



INNAN DU ANVÄNDER UGNEN

När ugnen först kopplas in hörs ett pip och displayen visar "1:00". Observera att klockan inte behöver ställas in för att ugnen ska fungera korrekt. För att ställa klockan, följ instruktionerna i "Ställa klockan" avsnittet i denna användarmanual.

När den är ny, första gången grillen används, kommer rök och lukt att avges. För att undvika att detta händer när mat tillagas, använd grillfunktionen utan mat i ca. 20 minuter.

- Efter att ha öppnat och stängt luckan går ugnen i standby-läge. Om inga knappar trycks in inom 1 minut förblir displayen på och knapparna fungerar inte. För att gå in i standby-läge igen, öppna och stäng luckan.
- Under tillagning, om knappen **STOPP/EKO** trycks en gång, pausas tillagningscykeln. För att starta om tillagningen tryck på knappen **START/SNABBSTART**. Om knappen **STOPP/EKO** trycks två gånger, kommer tillagningen att avbrytas.
- När ugnen programmeras för en viss funktion och det är en paus mellan knapptryckningar på mer än 30 sekunder återgår ugnen till standby-läge.
- När en tillagningscykel är klar visar displayen "**Slut**" och en ton kommer att höras varannan minut tills en knapp trycks in eller luckan öppnas.

STÄLLA IN KLOCKAN

Denna ugn har en klocka som kan användas i antingen 12- eller 24-timmarsläge. För att ställa klockan, följ instruktionerna nedan:

1. I standby-läge, tryck och håll knappen **TID/STÄLL KLOCKA** i minst 3 sekunder för att gå in i klockinställningsläget.
 2. Tryck på knappen **TID/STÄLL KLOCKA** för att välja 12- eller 24-timmarsläge.
 3. Vrid på **RULLKNAPPEN** för att ställa in timmen. Tryck på knappen **TID/STÄLL KLOCKA** för att lagra.
 4. Vrid på **RULLKNAPPEN** för att ställa in minuterna. Tryck på knappen **TID/STÄLL KLOCKA** för att lagra och gå ur klockinställningsläget.
- Det är inte nödvändigt att ställa klockan för att ugnen ska fungera normalt.
 - I tillagningsläget trycker du på knappen **TID/STÄLL KLOCKA** för att se tiden (om inställd). Tiden ändras tillbaka till nedräkningen av tillagningen efter fem sekunder. Observera att tiden inte kan visas om köktimern har ställts in.

MIKROVÅGSTILLAGNING

För att använda mikrovågsfunktionen, följ instruktionerna nedan:

1. I standby-läge, tryck på knappen **MIKROVÅGSEFFEKT** för att välja effektnivå. Varje gång den här knappen trycks in visar displayen mikrovågseffektnivån.
2. När önskad mikrovågseffektnivå har valts, vrid på **RULLKNAPPEN** för att välja tid för tillagning.
3. Tryck på knappen **START/SNABBSTART** för att starta tillagningen.
4. När tillagningscykeln är klar visar displayen "**Slut**" och en ton kommer att höras varannan minut tills en knapp trycks in eller luckan öppnas.

Observera att tabellen nedan är vägledande. Din ugn har 10 mikrovågseffektnivåer. Dessa är 10%, 20%, 30%, 40%, 50%, 60%, 70%, 80%, 90% och 100 %. Den faktiska effekten kan beräknas genom att multiplicera mikrovågseffekten med procentsatsen.

Matlagningsguide för mikrovågsugn:

Display	Mikrovågseffekt	Rekommenderad användning
P100	100 %	Använd denna inställning för snabb tillagning eller uppvärmning, t.ex. för grytor, varma drycker, grönsaker etc.
P-80	80 %	För kompakt mat som behöver lång tillagningstid när den tillagas på vanligt sätt, t.ex. köttretter, rekommenderas denna effektnivå för att köttet ska bli mjukt.
P-60	60 %	Används för längre tillagning av kompakt mat som t.ex. stekar, köttfärslimpa och färdiga måltider, samt för känsliga rätter som t.ex. sockerkaka.
P-40	40 %	Upptiningsinställning, välj denna effektnivå, för att se till att maten tinas jämnt. Denna inställning är också idealisk för att sjuda ris, pasta, dumplings och koka äggkräm.
P-20	20 %	För skonsam upptining, t.ex. gräddtårter eller bakverk.

- Under tillagning kan du kontrollera tillagningseffektnivån genom att trycka och hålla knappen **MIKROVÅGSEFFEKT**.
- Längsta tillagningstid är 95 minuter.

SNABBSTART

Om du behöver laga mat på 100 % effektivnivå, tryck bara på knappen **START/SNABBSTART** på **RULLKNAPPEN** i standbyläge. Varje gång knappen **START/SNABBSTART** trycks in lägger den till 30 sekunder till tillagningstiden.

GRILLTILLAGNING*

Grillvärmeelementet överst i ugnsutrymmet har endast en effektinställning, det är effektivt och ekonomiskt. Grillen är idealisk för att laga bacon, gammonbiff, fiskpinnar och tekakor.

Använd grillstället för att grilla små föremål som bacon och korv, vänd halvvägs genom grillningen. Mat kan läggas direkt på stället eller läggas i en form eller på en värmebeständig tallrik. För att säkerställa att eventuellt fett eller olja som kan droppa från maten som tillagas, se till att en lämplig bricka placeras under grillstället.

När du bryner och fräser ytan på mat i en grytform, kan grillstället användas om behållaren är tillräckligt grund. Det är dock lämpligt att placera sådana behållare direkt på den roterande tallriken, ge lite extra tid till att bryna och fräsa efter önskemål. Det är inte möjligt att använda grillstället för grillning.

För att använda grillfunktionen, följ instruktionerna nedan:

1. I standby-läge, tryck på knappen **GRILL** för att välja grillfunktionen. Displayen kommer att visa "**Grill**".
2. Vrid på **RULLKNAPPEN** för att välja tid för tillagning.
3. Tryck på knappen **START/SNABBSTART** för att starta tillagningen.
4. När tillagningscykeln är klar visar displayen "**Slut**" och en ton kommer att höras varannan minut tills en knapp trycks in eller luckan öppnas.

* - Endast för modeller med grill.

MIKROVÅG+GRILL*

Med både mikrovågs- och grillfunktionen är det möjligt att bryna och laga maten snabbt. För att använda mikrovågs- och grillfunktionen, följ instruktionerna nedan:

1. I standby-läge, tryck på knappen **MIKROVÅG+GRILL** en eller två gånger för att välja "Ko-1" or "Ko-2".
2. Vrid på **RULLKNAPPEN** för att välja tid för tillagning.
3. Tryck på knappen **START/SNABBSTART** för att starta tillagningen.
4. När tillagningscykeln är klar visar displayen "**Slut**" och en ton kommer att höras varannan minut tills en knapp trycks in eller luckan öppnas.

Mikrovåg + grillfunktion

Display	Uteffekt	Rekommenderad användning
Ko-1	70 % grill / 30 % mikrovåg	Kycklingbitar, kycklingbröst, fläskkotletter
Ko-2	56 % grill / 44 % mikrovåg	Hel kyckling

- Max tillagningstid med grillen är 95 minuter.
- Låt rök eller lukt försvinna under grillning genom att öppna ett fönster eller slå på köksventilationen. Detta är normalt och inte ett fel på ugnen.
- Under tillagning kan du kontrollera den aktuella kombinationseffekten genom att trycka på knappen **MIKROVÅG + GRILL**.
- Vid användning av grillfunktionen slås grillen på och av med regelbundna intervaller för att förhindra överhettning.
- När du använder MIKROVÅG+GRILL-funktionen kan maten placeras i en lämplig behållare direkt på ugnens roterande tallrik eller på det medföljande grillstället.

WARNING: Luckan, ytterhöljet, ugnsutrymmet, tillbehör och rätter blir mycket heta under drift. Se till att undvika brännskador genom att använda tjocka ugnsvantar.

* - Endast för modeller med grill.

AUTOMENY

För enkelhetens skull tillåter de automatiska programmen att laga mat snabbt och effektivt med bara några få knapptryckningar. Det är inte nödvändigt att programmera varaktighet och tillagnings effekt, allt som krävs är att trycka på önskad autotillagningsknapp, ange vikten/bitarna genom att vrida på **RULLKNAPPEN** och tryck sedan på knappen **START/SNABBSTART**.

Till exempel att tillaga två bakpotatisar.

1. Öppna luckan och placera maten inuti ugnen med hjälp av lämplig ugnform för den tillagningscykel som används.
2. Stäng luckan.
3. Tryck på knappen **BAKPOTATIS** en gång.
4. Vrid på **RULLKNAPPEN** för att ange antal potatisar.
5. Tryck på knappen **START/SNABBSTART**.
6. När tillagningscykeln är klar visar displayen "**Slut**" och en ton kommer att höras varannan minut tills en knapp trycks in eller luckan öppnas.

Automatisk tillagning menyer:

Auto-program	Storlek/Vikt
Frysta måltider Automatisk upptining Autouppvärmning	Välj vikt genom att vrida på RULLKNAPPEN . Fryst måltid och automatisk uppvärmning (200 till 800 g), automatisk upptining (100 till 1800 g)
Värma upp drycker	Välj antal koppar (200 ml vardera) genom att vrida på RULLKNAPPEN . 1 till 3 koppar.
Bakad potatis	Välj antal potatisar (230 g vardera) genom att vrida på RULLKNAPPEN . 1 till 2 potatisar.
Pizza	Välj pizzans vikt (150 g / 300 g / 450 g) genom att vrida på RULLKNAPPEN .
Popcorn	Välj antal popcornförpackningar (100 g vardera) genom att vrida på RULLKNAPPEN .
Färska grönsaker	Välj grönsakernas vikt (200 g till 600 g) genom att vrida på RULLKNAPPEN .
Gröt	Välj grötens vikt (gram) genom att vrida på RULLKNAPPEN . 50 till 150 g.
Grillad biff (endast grillmodeller)	Välj biffens vikt (200 g till 600 g) genom att vrida på RULLKNAPPEN .
Grillad kyckling (endast grillmodeller)	Välj kycklingens vikt (200 g till 600 g) genom att vrida på RULLKNAPPEN .
Grillad fisk (endast grillmodeller)	Välj fiskens vikt (200 g till 600 g) genom att vrida på RULLKNAPPEN .

- Resultatet av automatisk tillagning beror på faktorer som formen och storleken på maten, dina personliga preferenser när det gäller hur klar maten är och hur maten placeras i ugnen. Om resultatet av matlagningen inte är tillfredsställande, vänligen anpassa tillagningstiden så att den passar.

Obs: Obs: Automeny-knappen används endast på modellerna YC-PG204A och YC-PS204A. Varje gång du trycker på Automeny-knappen kommer displayen att visa autoprogrammet enligt tabellen ovan. När önskad automeny hittas, vrid **RULLKNAPP**-kontrollen för att välja vikten på maten som ska tillagas.

Automatiska programdetaljer

Mat	Kvantitet	Ursprungs-temperatur	Matlagningsteknik
Värma upp drycker	1 till 3 koppar 1 kopp = 200 ml	Omgivning	<ol style="list-style-type: none"> 1. Placera drycken som ska värmas i mitten av mikrovågsugnsnens roterande tallrik 2. Stäng luckan och tryck på knappen för ÅTERUPPVÄRMNING AV DRYCKER och välj antalet koppar genom att vrida på RULLKNAPPEN. 3. Tryck på knappen START/SNABBSTART för att starta tillagningen. 4. När timern stannar, ta bort din dryck. Var försiktig eftersom din dryck kommer att vara varm.
Bakad potatis	1-2 potatisar 1 potatis = 230±10 g	Omgivning	<ol style="list-style-type: none"> 1. Tvätta och torka potatisen/potatisarna och stick potatisens yta med en gaffel flera gånger. 2. Placera potatisen/potatisarna i mitten av mikrovågsugnsnens roterande tallrik 3. Stäng luckan och tryck på knappen för BAKAD POTATIS och välj antalet potatisar genom att vrida på RULLKNAPPEN. 4. Tryck på knappen START/SNABBSTART för att starta tillagningen. 5. När timern stannar, ta bort potatisen/potatisarna från mikrovågsugnen. Var försiktig eftersom din mat kommer att vara varm.
Pizza	150 till 450 g	Fryst -18 °C	<ol style="list-style-type: none"> 1. Placera pizzan på mikrovågssäker tallrik i mitten av mikrovågsugnsnens roterande tallrik. 2. Stäng luckan och tryck på knappen för PIZZA och välj vikten genom att vrida på RULLKNAPPEN. 3. Tryck på knappen START/SNABBSTART för att starta tillagningen. 4. När timern stannar, ta bort pizzan från mikrovågsugnen. Var försiktig eftersom din mat kommer att vara varm.
Popcorn	100 g	Omgivning	<ol style="list-style-type: none"> 1. Placera popcornen i mitten av mikrovågsugnsnens roterande tallrik 2. Stäng luckan och tryck på knappen POPCORN. 3. Tryck på knappen START/SNABBSTART för att starta tillagningen. 4. När timern stannar, ta bort popcornen från mikrovågsugnen. Var försiktig eftersom din mat kommer att vara varm.
Frysta måltider	200 till 800 g	Fryst -18 °C	<ol style="list-style-type: none"> 1. Lägg din frysta måltid på en mikrovågssäker tallrik och täck med plastfolie; stick hål i plasten. 2. Placera tallriken i mitten av mikrovågsugnsnens roterande tallrik 3. Stäng luckan och tryck på knappen för FRUSEN MÅLTID och välj vikten genom att vrida på RULLKNAPPEN. 4. Tryck på knappen START/SNABBSTART för att starta tillagningen. 5. När timern stannat, ta ut och servera. Var försiktig eftersom din mat kommer att vara varm.
Färska grönsaker	200 till 600 g	Omgivning	<ol style="list-style-type: none"> 1. Skölj och skär dina grönsaker i små bitar; 25-30 mm långa och 10 mm tjocka. 2. Lägg dessa bitar i en mikrovågslämplig keramikskål och täck med plastfolie; stick hål i plasten. 3. Placera skålen i mitten av mikrovågsugnsnens roterande tallrik 4. Stäng luckan och tryck på knappen för FRUSNA GRÖNSAKER och välj vikten genom att vrida på RULLKNAPPEN. 5. Tryck på knappen START/SNABBSTART för att starta tillagningen. 6. När timern stannat, ta ut och servera. Var försiktig eftersom din mat kommer att vara varm.
Gröt	50 till 150 g	Omgivning	<ol style="list-style-type: none"> 1. Blanda gröthavre och mjölk i en skål. Föreslå 180 ml mjölk per 50 g havre. 2. Placera skålen i mitten av den roterande tallriken. 3. Stäng luckan och tryck på knappen för GRÖT och välj vikten genom att vrida på RULLKNAPPEN. 4. Tryck på knappen START/SNABBSTART för att starta tillagningen. 5. När timern har stannat, ta ut och servera.
Autouppvärmning	200 till 800 g	Kylid 5 °C	<ol style="list-style-type: none"> 1. Lägg det kalla riset eller pastan i en keramikskål som lämpar sig för mikrovågsugn och täck med plastfolie; stick hål i plasten. 2. Placera skålen i mitten av mikrovågsugnsnens roterande tallrik 3. Stäng luckan och tryck på knappen för AUTOUPPVÄRMNING och välj vikten genom att vrida på RULLKNAPPEN. 4. Tryck på knappen START/SNABBSTART för att starta tillagningen. 5. När timern har stannat, ta ut och servera.
Grillad biff	200 till 600 g	Omgivning	<ol style="list-style-type: none"> 1. Fördela biffen jämnt på det täckta grillstället som har täckts med fettsäkert papper. 2. Placera grillstället i mitten av mikrovågsugnsnens roterande tallrik 3. Stäng luckan och tryck på knappen för GRILLAD BIFF och välj vikten genom att vrida på RULLKNAPPEN. 4. Tryck på knappen START/SNABBSTART för att starta tillagningen. 5. Efter två tredjedelar av tillagningstiden, öppna luckan för att vända på maten, stäng sedan luckan och fortsätt tillaga. 6. När timern stannat, ta ut och servera. Var försiktig eftersom din mat och redskapen kommer att vara varma.
Grillade kycklingbitar	200 till 600 g	Omgivning	<ol style="list-style-type: none"> 1. Fördela kycklingbitarna jämnt på det täckta grillstället som har täckts med fettsäkert papper. 2. Placera grillstället i mitten av mikrovågsugnsnens roterande tallrik 3. Stäng luckan och tryck på knappen för Grillad kyckling och välj vikten genom att vrida på RULLKNAPPEN. 4. Tryck på knappen START/SNABBSTART för att starta tillagningen. 5. Efter två tredjedelar av tillagningstiden, öppna luckan för att vända på maten, stäng sedan luckan och fortsätt tillaga. 6. När timern stannat, ta ut och servera. Var försiktig eftersom din mat och redskapen kommer att vara varma.
Grillade fiskbitar	100 till 500 g	Omgivning	<ol style="list-style-type: none"> 1. Fördela fiskbitarna jämnt på det täckta grillstället som har täckts med fettsäkert papper. 2. Placera grillstället i mitten av mikrovågsugnsnens roterande tallrik 3. Stäng luckan och tryck på knappen för GRILLAD FISK och välj vikten genom att vrida på RULLKNAPPEN. 4. Tryck på knappen START/SNABBSTART för att starta tillagningen. 5. Efter två tredjedelar av tillagningstiden, öppna luckan för att vända på maten, stäng sedan luckan och fortsätt tillaga. 6. När timern stannat, ta ut och servera. Var försiktig eftersom din mat och redskapen kommer att vara varma.

Obs	Ugnsläge och metod som används	YC-PS204A	YC-PS234A och YC-PS254A	YC-PG204A	YC-PG234A, YC-PG254A och YC-PG284A
	Mikrovåg endast på 100 %	1 kopp - 1:40 minuter 2 koppar - 3:00 minuter 3 koppar - 4:20 minuter	1 kopp - 1:30 minuter 2 koppar - 2:40 minuter 3 koppar - 3:50 minuter	1 kopp - 1:40 minuter 2 koppar - 3:00 minuter 3 koppar - 4:20 minuter	1 kopp - 1:30 minuter 2 koppar - 2:40 minuter 3 koppar - 3:50 minuter
	Mikrovåg endast på 100 %	1 potatis - 6:00 minuter 2 potatisar: 9:00 minuter 3 potatisar: 13:00 minuter	1 potatis - 5:00 minuter 2 potatisar: 8:00 minuter 3 potatisar: 12:00 minuter	1 potatis - 6:00 minuter 2 potatisar: 9:00 minuter 3 potatisar: 13:00 minuter	1 potatis - 5:00 minuter 2 potatisar: 8:00 minuter 3 potatisar: 12:00 minuter
För YC-PS204A och YC-PG204A måste AUTOMENYKNAP-PEN tryckas in tills programmet visas.	Mikrovåg endast på 100 %	150 g - 1:00 minuter 300 g - 1:30 minuter 450 g: 2:00 minuter	150 g - 0:50 minuter 300 g - 1:20 minuter 450 g: 1:50 minuter	150 g - 1:00 minuter 300 g - 1:30 minuter 450 g: 2:00 minuter	150 g - 0:50 minuter 300 g - 1:20 minuter 450 g: 1:50 minuter
	Mikrovåg endast på 100 %	100 g: 3:00 minuter	100 g: 2:00 minuter	100 g: 3:00 minuter	100 g: 2:30 minuter
	Mikrovågsugn vid 100 % i 1/2 tid, sedan 0 % i 1/6 tid och slutligen 100 % i 1/3 tid	200 g: 8:00 minuter 400 g: 11:00 minuter 600 g: 15:00 minuter 800 g: 18:00 minuter	200 g: 6:00 minuter 400 g: 9:00 minuter 600 g: 13:00 minuter 800 g: 16:00 minuter	200 g: 8:00 minuter 400 g: 11:00 minuter 600 g: 15:00 minuter 800 g: 18:00 minuter	200 g: 6:00 minuter 400 g: 9:00 minuter 600 g: 13:00 minuter 800 g: 16:00 minuter
För YC-PS204A och YC-PG204A måste AUTOMENYKNAP-PEN tryckas in tills programmet visas.	Mikrovåg endast på 100 %	200 g: 3:30 minuter 300 g: 4:30 minuter 400 g: 5:30 minuter 500 g: 6:30 minuter 600 g: 7:30 minuter	200 g: 3:00 minuter 300 g: 4:00 minuter 400 g: 5:00 minuter 500 g: 6:00 minuter 600 g: 7:00 minuter	200 g: 3:30 minuter 300 g: 4:30 minuter 400 g: 5:30 minuter 500 g: 6:30 minuter 600 g: 7:30 minuter	200 g: 3:00 minuter 300 g: 4:00 minuter 400 g: 5:00 minuter 500 g: 6:00 minuter 600 g: 7:00 minuter
För YC-PS204A och YC-PG204A måste AUTOMENYKNAP-PEN tryckas in tills programmet visas.	Mikrovåg - 100 %	50 g: 2:00 minuter 100 g: 3:30 minuter 150 g: 5:30 minuter	50 g: 2:00 minuter 100 g: 3:30 minuter 150 g: 5:30 minuter	50 g: 2:00 minuter 100 g: 3:30 minuter 150 g: 5:30 minuter	50 g: 2:00 minuter 100 g: 3:30 minuter 150 g: 5:30 minuter
För YC-PG204A måste AUTOMENYKNAP-PEN tryckas in tills programmet visas.	Mikrovåg endast på 100 %	200 g: 2:00 minuter 300 g: 2:40 minuter 400 g: 3:20 minuter 500 g: 4:00 minuter 600 g: 4:40 minuter 700 g: 5:20 minuter 800 g: 6:00 minuter	200 g: 1:30 minuter 300 g: 2:00 minuter 400 g: 2:30 minuter 500 g: 3:00 minuter 600 g: 3:30 minuter 700 g: 4:00 minuter 800 g: 4:30 minuter	200 g: 2:00 minuter 300 g: 2:40 minuter 400 g: 3:20 minuter 500 g: 4:00 minuter 600 g: 4:40 minuter 700 g: 5:20 minuter 800 g: 6:00 minuter	200 g: 1:30 minuter 300 g: 2:00 minuter 400 g: 2:30 minuter 500 g: 3:00 minuter 600 g: 3:30 minuter 700 g: 4:00 minuter 800 g: 4:30 minuter
För YC-PG204A måste AUTOMENYKNAP-PEN tryckas in tills programmet visas.	Mikrovågsugnen arbetar på 100 % i 10 sekunder och sedan slås grillen på i 23 sekunder. Denna cykel upprepas till slutet av tillagningstiden. Mikrovågsugnen och grillen är aldrig på samtidigt.	ej tillämpligt	ej tillämpligt	200 g: 15:00 minuter 300 g: 18:00 minuter 400 g: 21:00 minuter 500 g: 24:00 minuter 600 g: 27:00 minuter	200 g: 15:00 minuter 300 g: 18:00 minuter 400 g: 21:00 minuter 500 g: 24:00 minuter 600 g: 27:00 minuter
För YC-PG204A måste AUTOMENYKNAP-PEN tryckas in tills programmet visas.	Mikrovågsugnen arbetar på 100 % i 10 sekunder och sedan slås grillen på i 23 sekunder. Denna cykel upprepas till slutet av tillagningstiden. Mikrovågsugnen och grillen är aldrig på samtidigt.	ej tillämpligt	ej tillämpligt	200 g: 15:00 minuter 300 g: 18:00 minuter 400 g: 21:00 minuter 500 g: 24:00 minuter 600 g: 27:00 minuter	200 g: 15:00 minuter 300 g: 18:00 minuter 400 g: 21:00 minuter 500 g: 24:00 minuter 600 g: 27:00 minuter
För YC-PG204A måste AUTOMENYKNAP-PEN tryckas in tills programmet visas.	Mikrovågsugnen arbetar på 100 % i 10 sekunder och sedan slås grillen på i 23 sekunder. Denna cykel upprepas till slutet av tillagningstiden. Mikrovågsugnen och grillen är aldrig på samtidigt.	ej tillämpligt	ej tillämpligt	100 g: 12:00 minuter 200 g: 15:00 minuter 300 g: 18:00 minuter 400 g: 21:00 minuter 500 g: 24:00 minuter	100 g: 12:00 minuter 200 g: 15:00 minuter 300 g: 18:00 minuter 400 g: 21:00 minuter 500 g: 24:00 minuter

AUTOMATISK UPPTINING

Automatisk upptining låter dig tina mat efter vikt. Upptiningstid och effektnivå ställs in automatiskt när matkategorin och vikten har programmerats. Den frysta matens vikt varierar från 100 g till 1800 g.

1. I standby-läge, tryck på knappen **AUTOMATISK UPPTINING**.
2. Vrid på **RULLKNAPPEN** för att välja vikt på maten som ska tinas.
3. Tryck på knappen **START/SNABBSTART** för att starta upptiningscykeln.
4. Om ugnen stannar under upptiningscykeln, vänd på maten för att säkerställa en jämn upptining och tryck sedan på **START/SNABBSTART** för att tina upp den återstående tiden.
5. När upptiningscykeln är klar visar displayen "**Slut**" och en ton kommer att höras varannan minut tills en knapp trycks in eller luckan öppnas.

Automatisk upptining - Användning

Modell	Viktintervall	Tidsintervall för upptining	Upptiningsanvändning	Metod
YC-PG204A	100 till 1800 g	5,5 - 39,5 minuter	Mikrovåg vid 40 % i 1/3 tid, sedan 20 % under nästa 1/3 av tiden.	1. Lägg din frysta mat på en mikrovågs-säker tallrik och täck med plastfolie; stick hål i plasten. 2. Placera tallriken i mitten av mikrovåg-sugnens roterande tallrik 3. Stäng luckan och tryck på knappen för AUTOUPPTINING och välj vikten genom att vrida på RULLKNAPPEN. 4. Tryck på START/SNABBSTART-knappen för att starta upptiningen. 5. Halvvägs genom upptiningscykeln stannar ugnen och begär att maten ska vändas. 6. Öppna luckan och vänd/ordna om maten. Stäng luckan. 7. Tryck på START/SNABBSTART-knappen för att fortsätta upptiningen. 8. När timern har stannat, ta bort maten från ugnen. Kontrollera att maten är ordentligt upptinad.
YC-PG204A	100 till 1800 g	5 - 39 minuter	Uppmaning att vända, när den vänds kommer den att tina med 20 % under resten av tiden.	
YC-PS234A och YC-PG234A	100 till 1800 g	5,5 - 39,5 minuter	Mikrovåg sugn på 20 % under halva tiden, uppmana att vända. 20 % effekt under återstående tid.	
YC-PS254A, YC-PG254A och YC-PG284A	100 till 1800 g	3 - 37 minuter	Mikrovåg vid 30 % i 1/3 tid, sedan 20 % under nästa 1/3 av tiden. Uppmaning att vända, när den vänds kommer den att tina med 20 % under resten av tiden.	

AUTOMATISK UPPVÄRMNING*

Ugnen låter dig värma upp mat baserat på vikten som användaren har angett.

Uppvärmningstiden och effektnivån ställs in automatiskt när matkategorin och vikten har programmerats.

Uppvärmningsvikten varierar från 100 g till 800 g.

1. I standby-läge, tryck på knappen **AUTOMATISK UPPVÄRMNING**.
2. Vrid på **RULLKNAPPEN** för att välja vikt på maten som ska värmas.
3. Tryck på knappen **START/SNABBSTART**.
4. När tillagningscykeln är klar visar displayen "**Slut**" och en ton kommer att höras varannan minut tills en knapp trycks in eller luckan öppnas.

* - Endast för modeller med grill.

KÖKSTIMER

Ugnen är utrustad med en kökstimer som räknar ner från den inställda tiden.

1. I standby-läge trycker du på knappen **TID/STÄLL KLOCKA** en gång.
2. Vrid på **RULLKNAPPEN** för att ställa in önskad tid. Den längsta tiden är 95 minuter.
3. Tryck på knappen **START/SNABBSTART** för att bekräfta.
4. Displayen räknar ned från den inställda tiden.
5. När displayen når noll hörs en ton.

Det är också möjligt att använda kökstimern i tillagningsläget. För att göra detta följ stegen som beskrivs ovan medan maten tillagas. När kökstimern har aktiverats visas den på displayen i fem sekunder, sedan återgår displayen till nedräkningstimern för tillagningscykeln. Tryck en gång på knappen **TID/STÄLL KLOCKA** för att se timern igen och kökstimern visas i fem sekunder och återgår sedan till tillagningsnedräkningen.

- För att avbryta **TIMER**-programmet tryck på knappen **STOPP/EKO** och displayen visar tiden.
- Om en tillagningscykel har startat är det möjligt att starta kökstimern genom att följa stegen enligt ovan.

ENERGISPARFUNKTION

Denna funktion gör det möjligt att spara ström medan ugnen inte används. För att aktivera den här funktionen i standby-läge, tryck och håll ned knappen **STOPP/EKO** i 3 sekunder, skärmen stängs av; ugnen går in i energisparläge. För att avbryta energisparläget, tryck på valfri knapp eller öppna och stäng ugnsluckan.

MUTE-FUNKTION

Det är möjligt att stänga av alla toner från mikrovågsugnen med mute-funktionen. Tryck på knappen **BARNLÅS** en gång för att ställa in mute-funktionen, displayen visar "OFF" i 5 sekunder. I tyst läge hörs inget ljud när knapparna trycks ned.

För att stänga av avstängningsfunktionen, tryck på **BARNLÅS**-knappen en gång, displayen kommer att visa "on" i 5 sekunder för att indikera att ljudet har slagits på igen.

Om mute-funktionen är inställd och ugnen kopplas bort från elnätet, kommer den att avbrytas när elnätet återansluts.

SÄKERHETSLÅS

Detta är en automatisk funktion för att förhindra oönskad användning av ugnen av barn. När ugnen är i standby-läge, om ingen åtgärd sker inom en minut, går ugnen automatiskt in i säkerhetsläsläge och "Loc" visas på displayen. I låst läge är alla knappar inaktiverade. Tryck på valfri knapp, låsindikation visas på displayen i 5 sekunder för att påminna användaren om att avbryta säkerhetslåset.

För att stänga av säkerhetslåset, öppna och stäng bara luckan till mikrovågsugnen och knappatsen blir aktiv igen och låsindikatorlampan släcks.

BARNLÅS

För att ställa in BARNLÅS, tryck och håll knappen **BARNLÅS** intryckt i 3 sekunder, ett långt pip hörs och displayen visar "Loc". Ugnen är nu i läget BARNLÅS. I detta läge visar displayen klockan. Om någon knapp trycks ned eller luckan öppnas kommer "Loc" att ses i tio sekunder.

För att avaktivera BARNLÅS, tryck och håll knappen **BARNLÅS** intryckt i 3 sekunder tills en lång pipsignal hörs.

RENGÖRING OCH UNDERHÅLL

- Stäng av ugnen och dra ut nätsladden ur vägguttaget vid rengöring.
- Håll insidan av ugnen ren. När livsmedel stänker eller utspilld vätska fäster på ugnens väggar, toppen eller botten, torka av med en fuktig trasa. Milda rengöringsmedel kan användas om ugnen blir mycket smutsig. Undvik att använda spray eller andra starka rengöringsmedel. De kan fläcka, repa eller matta luckytan.
- Ugnens utsida ska rengöras med en fuktig trasa. För att förhindra skador på manöverdelarna inuti ugnen bör vatten inte tränga in i ventilationsöppningarna.
- Torka av luckan och fönstret på båda sidor, lucktätningarna och intilliggande delar ofta med en fuktig trasa för att avlägsna spill eller stänk.
- Använd inte slipande rengöringsmedel.
- Ångtvätta inte.
- Låt inte kontrollpanelen bli våt. Rengör med en mjuk, fuktig trasa. När du rengör kontrollpanelen, låt ugnsluckan vara öppen så att ugnen inte slås på av misstag.
- Om ånga ackumuleras inuti eller runt utsidan av ugnsluckan, torka av med en mjuk trasa. Detta kan uppstå när mikrovågsugnen används under hög luftfuktighet. Det här är inte ett fel.
- Den roterande tallriken, vändfot och koppling bör rengöras regelbundet för att undvika kontaminering och potentiella ljusbågar/skador. Torka helt enkelt med mildt rengöringsmedel.
- Ta bort lukt från ugnen genom att kombinera en kopp vatten med saften och skalet från en citron i en mikrovågstålig skål. Mikra i 5 minuter. Torka noggrant och torka med en mjuk trasa.
- Om glödlampan inte fungerar, kontakta kundtjänst för råd.
- Ugnen ska rengöras regelbundet och eventuella livsmedelsavlagringar ska tas bort. Underlåtenhet att hålla ugnen i ett rent tillstånd kan leda till att ytan försämras vilket kan påverka enhetens livslängd negativt och eventuellt leda till en farlig situation.
- Vänligen släng inte denna apparat i hushållssoporna; se till ditt lands råd om kassering av denna typ av produkt.

LÄMPLIGA UGNSKÄRL

1. Det idealiska materialet för ett mikrovågsugnstillbehör är transparent för mikrovågor, det låter energi passera genom behållaren och värma maten.
2. Mikrovågor kan inte tränga in i metall, så metallredskap eller tallrikar med metalldetaljer bör inte användas.
3. Använd inte återvunna pappersprodukter vid mikrovågstillagning, eftersom de kan innehålla små metallfragment som kan orsaka gnistor och/eller bränder.
4. Runda/ovala tallrikar snarare än fyrkantiga/avlånga rekommenderas, eftersom maten i hörnen tenderar att bli överkokt.
5. Smala remsor av aluminiumfolie kan användas för att förhindra överkokning av utsatta områden. Men var försiktig, använd inte för mycket och håll ett avstånd på 2,54 cm mellan folie och hålighet

Listan nedan är en allmän guide som hjälper dig att välja rätt redskap.

Husgeråd	Mikrovåg- sugn -säkert	Grill	Kommentar
Stekkäril	✓ / ✗	✗	Följ alltid tillverkarens anvisningar. Överskrid inte angivna uppvärmningstider. Var mycket försiktig då dessa käril blir mycket heta.
Porslin och keramik	✓ / ✗	✗	Porslin, keramik, fajans och benporslin är vanligtvis lämpligt, med undantag för de med metalldekoration.
Värmebeständigt glas	✓	✓	Var noga med att se till att alla glashusgeråd är lämpliga för användning i en mikrovågsgugn.
Icke värmebeständigt glas	✗	✗	
Värmebeständig keramik	✓	✓	Se till att allt keramiskt material inte är för tjockt eller med högt mineralinnehåll.
Mikrovågsgugnssäker plasttallrik	✓	✗	Kontrollera alltid att plasthusgerådet är lämpligt för användning i en mikrovågsgugn.
Hushållspapper	✓ / ✗	✗	Använd endast hushållspapper som rekommenderas för användning i mikrovågsgugnar.
Glasföremål t.ex. Pyrex®	✓ / ✗	✓	Försiktighet bör iaktas vid användning av tunna glasföremål eftersom de kan gå sönder eller spricka om de värms plötsligt.
Metallbricka	✗	✓	Det rekommenderas inte att använda metallhusgeråd eftersom det bildar gnistor, vilket kan leda till brand.
Metallställ	✗	✓	Det rekommenderas inte att använda metallhusgeråd eftersom det bildar gnistor, vilket kan leda till brand.
Aluminiumfolie Foliebehållare	✓ / ✗	✓	Små bitar av aluminiumfolie kan användas för att skydda mat från överhettning. Håll folien minst 2,54 cm från ugnens väggar, ljusbågar kan uppstå. Foliebehållare rekommenderas inte såvida inte annat anges av tillverkaren, t.ex. Microfoil®, följ instruktionerna noga.
Plastfolie	✓	✗	Det får inte röra vid maten och måste penetreras för att låta ångan komma ut.
Plast/Polystyren t.ex. snabbmatsförpackningar	✓	✗	Man måste vara försiktig eftersom en del behållare förvrids, smälter eller missfärgas vid höga temperaturer.
Frys-/Stekpåsar	✓	✗	Måste penetreras för att låta ångan komma ut. Se till att påsarna är lämpliga för mikrovågsgugnsanvändning.
Papper - Tallrikar, muggar och hushållspapper	✓	✗	Använd inte plast- eller metallband, eftersom de kan smälta eller fatta eld på grund av att metallen avger "ljusbågar".
Halm- och träbehållare	✓	✗	Använd endast för uppvärmning eller för att absorbera fukt. Man måste vara försiktig eftersom överhettning kan orsaka brand.
Returpapper och tidningar	✗	✗	Övervaka alltid ugnen när du använder dessa material eftersom överhettning kan orsaka brand. Kan innehålla metallfragment som orsakar "gnista" och kan leda till brand.



WARNING: Vid uppvärmning av mat i plast- eller pappersbehållare, övervaka ugnen på grund av risken för antändning.

OBS: Lämna inte ugnen utan uppsikt under användning.

MATLAGNINGSRÅD FÖR MIKROVÅGSUGN

Mikrovågsugnar lagar mat snabbare än konventionell matlagning. Det är därför viktigt att vissa tekniker följs för att säkerställa goda resultat. Många av följande tekniker liknar de som används vid konventionell matlagning.



WARNING: Vätskor och livsmedel får inte värmas i förseglade behållare eller burkar/behållare med lock på, eftersom trycket kommer att byggas upp inuti och kan medföra att behållaren/burken exploderar.

MATLAGNINGSTIPS ANMÄRKNINGAR:

- Ha alltid uppsikt över ugnen när den används.
- Se till att redskapen är lämpliga för användning i mikrovågsugn.
- Använd endast mikrovågspopcorn med den rekommenderade förpackningen (följ tillverkarens instruktioner). Använd aldrig olja såvida inte annat anges av tillverkaren och tillred aldrig längre än instruerat.



WARNING: Om du överskrider rekommenderade tillagningstider och använder effektnivåer som är för höga, kan maten överhettas, brännas vid och i extrema fall, fatta eld och skada ugnen.

Placera

Lägg de tjockaste delarna av mat mot utsidan av tallriken. t.ex. kycklingklubbor.

Livsmedel som placeras mot utsidan av tallriken får mer energi, alltså tillagas snabbare än de i mitten.

Hölje

Vissa livsmedel gynnas av att täckas under mikrovågstillagning.

Använd ventilerad mikrovågsgugnsfolie eller ett lämpligt lock.

Stick hål

Livsmedel med skal, skinn eller hinna måste penetreras på flera ställen innan tillagning eller återuppvärmning eftersom ånga kommer att byggas upp och kan orsaka maten att explodera. t.ex. potatis, fisk, kyckling, korv.

OBS: Ägg bör inte värmas upp med mikrovågseffekt eftersom de kan explodera, även efter tillagningen. t.ex. pocherade, stekta, hårdkokta.

Rör, vänd och omplacera

För jämn tillagning är det viktigt att röra, vända och omplacera maten under tillagningen. Rör alltid och omplacera utifrån och in mot mitten.

Låt stå

Väntetid är nödvändig efter tillagningen, eftersom det gör att värmen sprids jämnt i hela maten.

Matkännetäcken	
Sammansättning	Livsmedel som innehåller mycket fett eller socker (t.ex. julpudding, köttfärsrätter) kräver mindre uppvärmningstid. Försiktighet bör iaktas eftersom överhettning kan leda till brand. Ben i maten leder värme och får maten att tillagas snabbare. Försiktighet måste iaktas så att maten tillagas jämnt.
Densitet	Matens densitet kommer att påverka mängden krävd tillagningstid. Lätt, porös mat såsom kakor och bröd, tillagas mycket snabbare än tung, kompakt mat såsom stekar och grytor.
Kvantitet	Antalet mikrovågor i din ugn är samma oavsett hur mycket mat du tillagar. Tillagningstiden måste ökas när mängden livsmedel som placeras i ugnen ökar. T.ex., tar fyra potatisar längre tid att tillaga än två.
Storlek	Små livsmedel och små bitar tillagas snabbare än stora, eftersom mikrovågor kan tränga igenom från alla håll till mitten. För jämn tillagning gör alla bitar i samma storlek.
Form	Livsmedel som är oregelbundet formade, t.ex. kycklingbröst eller kycklingklubbor, tar längre tid att tillaga i de tjockare delarna. För jämn tillagning, placera de tjockaste delarna i utkanten av tallriken, där de kommer att få mer energi. Runda former tillagas jämnare än kvadratiska former i mikrovågsugn.
Temperaturen på mat	Den ursprungliga temperaturen på maten påverkar mängden tillagningstid som behövs. Kylvaror tar längre tid att tillaga än mat i rumstemperatur. Behållarens temperatur är inte en sann indikation på maten eller drycken. Skär i livsmedel med fyllningar, till exempel syltmunkar, för att släppa ut värme eller ånga.



WARNING: Ansikte och händer: Använd alltid ugnshandskar för att ta bort mat eller husgeråd från ugnen. Ta ett steg tillbaka när du öppnar ugnsluckan för att låta värme eller ånga att skingras. När du tar bort höljen (t.ex. plastfolie), öppnar stekpåsar eller popcornförpackningar, rikta ångan bort från ansikte och händer.



WARNING: Kontrollera temperaturen på mat och dryck och rör om före servering. Var särskilt försiktig vid servering till spädbarn, barn eller äldre. Innehållet i nappflaskor och barnmatsburkar skall röras om eller skakas och temperaturen skall kontrolleras innan förtäring för att undvika brännskador.

UPPTININGSRÅD

Att använda din mikrovågsugn är den snabbaste upptiningsmetoden. Det är en enkel process, men följande instruktioner är nödvändiga för att säkerställa att maten är helt upptinad.

- Avlägsna allt förpackningsmaterial och emballage innan upptining.
- För att tina mat, använd mikrovågseffektnivåer P-20 till P-40.
- Se ytterligare information nedan.

Omplacera

Livsmedel som är placerade mot utsidan av tallriken kommer att tina snabbare än livsmedel i centrum. Det är därför viktigt att maten flyttas om upp till 4 gånger under upptining.

Flytta tätt packade bitar från utsidan till centrum och omplacera överlappande områden.

Detta kommer att säkerställa att alla delar av maten tinar jämnt.

Separera

Livsmedel kan fästas ihop när de tas ur frysen. Det är viktigt att skilja på maten så fort som möjligt under upptiningen. T.ex. baconskivor, kycklingfilé.

Skydda

Vissa områden av mat som tinas kan bli varma. För att hindra dem att bli varmare och börja tillagas, kan dessa områden skyddas med små bitar av folie, som reflekterar mikrovågor. T.ex. ben och vingar på en kyckling.

Låt stå

Väntetid är nödvändigt för att maten ska tinas ordentligt.

Upptiningen är inte färdig när maten tas bort från mikrovågsugnen. Maten måste stå, täckt, ett tag för att säkerställa att mitten har blivit helt upptinad.

Vänd

Det är viktigt att alla livsmedel vänds upp till fyra gånger under upptiningen.

Detta är viktigt för att säkerställa grundlig upptining.

UPPVÄRMNINGSRÅD

För uppvärmning av mat, följ de råd och riktlinjer som anges nedan för att säkerställa att maten är ordentligt uppvärmd före servering.

Måltider på tallrik

Ta bort alla fjäderfä- eller köttbitar, värm dessa separat, se nedan.

Placera mindre delar av livsmedel i mitten av tallriken, större och tjockare mat vid kanten. Täck med ventilerad mikrovågsfolie och värm på effektnivå P-50, rör/omplacera halvvägs igenom uppvärmningen.

OBS: Se till att maten är ordentligt uppvärmd före servering.

Skivat kött

Täck med ventilerad mikrovågsfolie och värm på effektnivå P-60. Omplacera minst en gång för att säkerställa jämn uppvärmning.

OBS: Se till att köttet är ordentligt uppvärmt före servering.

Fjäderfädelar

Placera de tjockaste delarna vid kanten av skålen, täck med ventilerad mikrovågsfolie och värm på effektnivå P-70.

Vänd efter halva uppvärmningen

OBS: Se till att fjäderfäet är ordentligt uppvärmt före servering.

Grytor

Täck med ventilerad mikrovågsfolie eller ett lämpligt lock och värm på effektnivå P-50.

Rör ofta för att säkerställa jämn uppvärmning.

OBS: Se till att maten är ordentligt uppvärmd före servering.

För att uppnå bästa resultat vid uppvärmning, välj en lämplig mikrovågseffektnivå anpassad till typen av mat. T.ex. en skål med grönsaker kan värmas med effektnivå P-100, medan en lasagne som innehåller ingredienser som inte kan röras, bör värmas med effektnivå P-40.

ANMÄRKNINGAR:

- Ta bort mat från folie eller metall innan du värmer.
- Uppvärmningstiderna kommer att påverkas av formen, djupet, mängden och temperaturen på maten tillsammans med storlek, form och material i behållaren.



WARNING: Värm aldrig vätska i behållare med smal hals, eftersom detta kan resultera i att innehållet erupterar ur behållaren och orsakar brännskador.

- För att undvika överhettning och brand måste särskild försiktighet iakttas vid matlagning eller uppvärmning av mat med hög socker- eller fetthalt, t ex köttfärs pajer och puddingar.
- Värm aldrig olja eller fett för fritering eftersom detta kan leda till överhettning och brand.
- Konserverad potatis bör inte värmas i mikrovågsgugnen, följ tillverkarens instruktioner på burken.



WARNING: Innehållet i nappflaskor och barnmatsburkar skall röras om eller skakas och temperaturen kontrolleras före konsumtion, för att undvika brännskador.

FELSÖKNING

Om du tror att ugnen inte fungerar ordentligt finns det några enkla kontroller du kan utföra själv innan du ringer en ingenjör. Detta kommer att bidra till att förhindra onödiga servicesamtal om felet är något enkelt.

Följ denna enkla kontroll nedan:

Placera en halv kopp vatten på den roterande tallriken och stäng luckan. Ställ in timern för att tillaga i 1 minut med mikrovågseffektnivå P-100.

1. Tänds ugnslampan vid tillagning?
2. Fungerar kylfläkten? (Kontrollera genom att placera handen ovanför luftventilationsöppningarna.)
3. Efter 1 minut, hörs signalen?
4. Är vattnet i koppen varmt? Om du svarar "nej" på någon fråga kontrollera först att ugnen är korrekt ansluten och att säkringen inte har löst ut. Om det inte finns något fel med något kontrollera mot felsökningstabellen nedan.



WARNING: Du får aldrig justera, reparera eller ändra ugnen själv. Det är farligt för någon annan än en av SHARP utbildad ingenjör att utföra service eller reparationer. Detta är viktigt eftersom det kan innebära borttagandet av höljen som ger skydd mot mikrovågsenergi.

- Lucktätningen stoppar mikrovågsläckage under ugnsdrift, men bildar inte en lufttät tätning. Det är normalt att se vattendroppar, ljus eller känna varm luft runt ugnsluckan. Mat med en hög fukthalt kommer att avge ånga och orsakar kondens innanför luckan som kan droppa från ugnen.
- Reparationer och modifieringar: Försök inte använda ugnen om den inte fungerar som den ska.
- Ytterhölje och lampåtkomst: Ta aldrig bort ytterhöljet. Detta är mycket farligt på grund av högspänningsdelar inuti som aldrig får beröras, eftersom detta kan vara dödligt.

Din ugn är inte utrustad med ett lampskydd. Om lampan går sönder, försök inte att byta ut lampan själv, kontakta en SHARP-godkänd serviceverkstad.

FELSÖKNINGSTABELL

FRÅGA	SVAR
Drag cirkulerar runt dörren.	När ugnen är i drift, cirkulerar luft i utrymmet. Dörren bildar inte en lufttät tätning så luft kan strömma ut från dörren.
Kondens bildas i ugnen, och kan droppa från dörren.	Ugnsutrymmet är normalt kallare än maten som tillagas, och ånga som produceras vid tillagningen kondenseras på den kallare ytan. Mängden ånga som produceras beror på vatteninnehållet i maten som tillagas. Vissa livsmedel, såsom potatis, har högt fukttinnehåll. Kondens som fastnat i luckglaset bör klarna efter några timmar.
Blinkande eller ljusbågar inifrån utrymmet vid matlagning.	Ljusbågsbildning kommer att inträffa om ett metallföremål kommer i närheten av ugnsutrymmet under tillagning. Detta kan möjligen rugga ytan av utrymmet, men bör annars inte skada ugnen.
Ljusbågsbildning potatisar.	Se till att alla "ögon" tas bort från potatisen och att de har penetrerats, placera direkt på den roterande tallriken i en värmetålig pajform eller liknande.
När du använder ugnen i endast grillläge kan det märkas att värmeelementet inte verkar vara på hela tiden.	Detta beror på att grillelementet slås på och av för att hålla ugnstemperaturen på en förinställd nivå.
När grillen används i kombinationsläge verkar den inte vara på.	Under kombinerat tillagningsläge (mikrovågsugn och grill) växlar ugnen mellan de två funktionerna. Mikrovågs- och grillfunktionerna slås inte på samtidigt.
Ugnen fungerar inte när knappen START/SNABBSTART trycks in.	Kontrollera om luckan är ordentligt stängd.
Ugnen tillagar för långsamt.	Säkerställ att korrekt effektnivå har valts.
Ugnen ger ifrån sig ljud.	När mikrovågsenergin slås på och av kan ett brummande ljud höras, detta är normalt.
Efter tillagning ger ugnen ifrån sig ett ljud eller verkar fortfarande vara i drift.	I slutet av tillagningscykeln kan fläkten vara på i flera minuter för att kyla ner ugnen. Detta är normalt.
Yttre höljet är varmt.	Höljet kan bli varmt vid beröring - håll barn borta.
"LoC" visas i displayen när en knapp trycks in.	Efter 30 sekunder går ugnen in i låsläge vilket resulterar i att ingen av knapparna fungerar. Öppna och stäng luckan och knapparna kommer att fungera igen. Kontrollera också att enheten inte är i låsläge.
"Fel" visas i displayen och ett pip hörs från ugnen varje minut.	Om knapparna på kontrollpanelen trycks in kontinuerligt i mer än 1 minut kommer detta att hända. Koppla ur ugnen från elnätet i några minuter och anslut igen.
Ugnen piper var 30:e sekund.	När tillagningen har avslutats och luckan inte öppnas hörs ett pip var 30:e sekund. För att stoppa detta, öppna och stäng sedan luckan.

INNAN DU RINGER OM HJÄLP

innan du ber om service, kontrollera varje post nedan:

- Kontrollera att ugnen är ordentligt ansluten. Om inte, ta ut kontakten ur uttaget, vänta i 10 sekunder och sätt i den ordentligt igen.
- Kontrollera om en säkring har gått eller en utlöst huvudbrytare. Om dessa verkar fungera korrekt, testa uttaget med en annan apparat.
- Kontrollera att effekt- och timervreden är rätt inställda.
- Kontrollera att luckan är ordentligt stängd och går i låssystemet. Annars kommer inte mikrovågsenergin att strömma in i ugnen

OM INGET AV OVANSTÅENDE KORRIGERAR SITUATIONEN, KONTAKTA EN KVALIFICERAD TEKNIKER. FÖRSÖK INTE JUSTERA ELLER REPARERA UGNEN SJÄLV.



Увага:

Ваш апарат марковано такою позначкою. Це означає, що відходи електричного й електронного обладнання не можна змішувати зі звичайним побутовим сміттям. Існує окрема система приймання й утилізації цих виробів.



www.sharpconsumer.com/contact/



www.sharpconsumer.com/support/



www.sharpconsumer.com/documents-of-conformity/

А. Інформація щодо утилізації для користувачів (приватних домогосподарств)

1. У Європейському Союзі

Увага: Не викидайте цей виріб у звичайний смітник!

Відходи електричного й електронного обладнання підлягають окремій утилізації, і згідно з законодавством, їх має бути належним чином оброблено, утилізовано й перероблено.

Країнами-членами ЄС встановлено, що приватні господарства в країнах ЄС можуть безкоштовно здати електричне або електронне обладнання, що вийшло з експлуатації, до спеціалізованих пунктів прийому*.

У деяких країнах* місцеві підприємства торгівлі також можуть безкоштовно приймати старі вироби в осіб, які купують нові аналогічні вироби.

*) Щоб отримати більше інформації, зверніться до місцевих органів влади.

Батарейки чи акумулятори, якими було оснащене електричне або електронне обладнання, що вийшло з експлуатації, також підлягають окремій утилізації згідно з вимогами місцевих органів влади.

Дотримуючись правил утилізації цього приладу, ви допомагаєте забезпечити його належну обробку, утилізацію та переробку, що дозволяє запобігти потенційному негативному впливу на довкілля та здоров'я людей, пов'язаному з неналежною утилізацією сміття.

2. В інших країнах за межами ЄС

Якщо Ви бажаєте позбутися цього виробу, зверніться до місцевих органів влади й дізнайтеся про правильний спосіб утилізації.

Для Швейцарії: Електричне чи електронне обладнання, що вийшло з ладу, можна безкоштовно повернути продавцю, навіть якщо Ви не збираєтесь придбати новий виріб. Список інших приймальних пунктів наведено на домашній сторінці www.swico.ch або www.sens.ch.

В. Інформація щодо утилізації для комерційних користувачів

1. У Європейському Союзі

Якщо Ви хочете позбутися виробу, що використовувався з комерційною метою:

Зверніться до місцевого дилера компанії SHARP і отримайте інформацію щодо повернення виробу. Ви можете зазнати певних витрат, що пов'язані зі здаванням і переробкою виробу. Вироби невеликого розміру (у невеликих кількостях) можна здати в місцеві приймальні пункти.

Для Іспанії: Для повернення виробів, що вийшли з ладу, зверніться до відповідної установи зі збирання відходів чи до місцевих органів влади.

2. В інших країнах за межами ЄС

Якщо Ви бажаєте позбутися цього виробу, зверніться до місцевих органів влади й дізнайтеся про належні способи утилізації.

Звернутися по обслуговування можна, відвідавши сторінку www.sharpconsumer.com/contact/, а ознайомитися із своїми правами згідно з умовами гарантії – за адресою www.sharpconsumer.com/support/ або звернувшись до продавця, в якого було придбано виріб.

Декларації відповідності можна одержати за адресою: www.sharpconsumer.com/documents-of-conformity/

ЗАСТЕРЕЖЕННЯ ЩОДО УНИКНЕННЯ МОЖЛИВОГО ВПЛИВУ МІКРОХВИЛЬОВОЇ ЕНЕРГІЇ

1. Не намагайтеся користуватися цією піччю з відчиненими дверцятами — це може призвести до шкідливого впливу мікрохвильової енергії. Важливо підтримувати у справному стані пристрої захисного блокування.
2. Не вставляйте жодні предмети між передньою панеллю печі та дверцятами, а також не допускайте накопичення сміття чи залишків засобів для чищення на поверхнях ущільнювачів.
3. Не користуйтеся піччю, якщо вона несправна. Дуже важливо, щоб дверцята печі були справні і добре зачинялись, а також щоб не було пошкоджено їхні завіси, замки та ущільнення чи ущільнювальні поверхні.
4. Не намагайтеся ремонтувати чи регулювати піч.

ЗМІСТ

ВАЖЛИВІ ВКАЗІВКИ З ТЕХНІКИ БЕЗПЕКИ	3
ВСТАНОВЛЕННЯ.....	12
РАДІОЗАВАДИ.....	13
ВКАЗІВКИ ЩОДО ЗАЗЕМЛЕННЯ	13
ТЕХНІЧНІ ХАРАКТЕРИСТИКИ.....	13
ПІЧ І ПРИЛАДДА ДО НЕЇ.....	14
ПАНЕЛЬ КЕРУВАННЯ.....	15
ПЕРШ НІЖ ПОЧАТИ КОРИСТУВАТИСЬ ПІЧЧЮ	16
НАЛАШТУВАННЯ ГОДИННИКА	16
ПРИГОТУВАННЯ СТРАВ У МІКРОХВИЛЬОВІЙ ПЕЧІ.....	17
ШВИДКИЙ ПУСК.....	18
ПРИГОТУВАННЯ ЇЖИ У РЕЖИМІ "ГРИЛЬ"*	18
MICROWAVE+GRILL (МІКРОХВИЛІ + ГРИЛЬ)*.....	18
АВТОМЕНЮ.....	19
АВТОМАТИЧНЕ РОЗМОРОЖУВАННЯ.....	22
АВТОМАТИЧНЕ РОЗІГРІВАННЯ*	23
КУХОННИЙ ТАЙМЕР.....	23
ФУНКЦІЯ ЗАОЩАДЖЕННЯ ЕЛЕКТРОЕНЕРГІЇ.....	23
ФУНКЦІЯ ВИМКНЕННЯ ЗВУКУ	24
ЗАХИСНЕ БЛОКУВАННЯ	24
ФУНКЦІЯ ЗАХИСТУ ВІД ДІТЕЙ.....	24
ЧИЩЕННЯ ТА ДОГЛЯД.....	25
ПОСУД, ПРИДАТНИЙ ДЛЯ ВИКОРИСТАННЯ В ПЕЧІ	26
РЕКОМЕНДАЦІЇ ЩОДО ГОТУВАННЯ ЗА ДОПОМОГОЮ МІКРОХВИЛЬОВОЇ ЕНЕРГІЇ.....	28
РЕКОМЕНДАЦІЇ ЩОДО РОЗМОРОЖУВАННЯ	30
РЕКОМЕНДАЦІЇ ЩОДО ПОВТОРНОГО РОЗІГРІВАННЯ.....	31
ПОШУК І УСУНЕННЯ НЕСПРАВНОСТЕЙ.....	32
ПЕРШ НІЖ ЗВЕРТАТИСЯ ПО ДОПОМОГУ	34

* - Тільки для моделей із грилем.

ВАЖЛИВІ ВКАЗІВКИ З ТЕХНІКИ БЕЗПЕКИ

УВАЖНО ПРОЧИТАЙТЕ І ЗБЕРЕЖІТЬ ДЛЯ ПОДАЛЬШОГО ВИКОРИСТАННЯ

Запобігання виникненню пожежі. Не залишайте мікрохвильову піч без нагляду під час роботи. Встановлення занадто високої потужності чи занадто довгого часу приготування може стати причиною перегрівання печі, яке може спричинити пожежу.

Цю піч призначено лише для використання на високих кухонних столах.

Можливість її вмонтування в якийсь з елементів кухонного обладнання не передбачено. Не ставте піч у шафу. Забезпечте вільний доступ до електричної розетки, щоб з легкістю вимкнути прилад у разі екстреної необхідності.

Живлення приладу має здійснюватися змінною напругою 230–240 В, частотою 50 Гц. Розподільна лінія має бути захищена запобіжником або автоматичним вимикачем принаймні на 10 А. Для живлення апарата має використовуватись окреме електричне коло.

На розміщуйте піч в місцях, де виділяється тепло, наприклад поруч зі звичайною духовкою. Не встановлюйте піч в місцях з підвищеним рівнем вологості або в місцях її накопичення. Не зберігайте й не використовуйте піч надворі.

У разі виникнення диму, вимкніть піч або від'єднайте її від мережі та не відчиняйте дверцята, щоб стримати можливе займання.

Використовуйте лише призначені до використання у мікрохвильових печах контейнери та посуд. Перевірте, чи придатний посуд для використання в мікрохвильовій печі.

Стежте за піччю, нагріваючи продукти у пластикових

чи паперових контейнерах, — вони можуть загорітися. Після використання вимийте кришку хвилеводу, внутрішню камеру печі. Вони мають бути сухими та чистими. Внаслідок перегріву накопичений жир може почати димитися або ж загорітися.

Не розміщуйте поряд з піччю або її вентиляційними отворами легкозаймисті матеріали. Не перекривайте вентиляційні отвори.

Зніміть із їжі та її пакувальних матеріалів усілякі металеві плombs і дротяні стяжки. Виникнення дуги на металевих поверхнях може спричинити займання.

Не використовуйте піч для підігрівання олії для глибокого просмажування. Через неможливість контролю за температурою олія може спалахнути.

Для приготування попкорну використовуйте лише спеціальний посуд, призначений для застосування в мікрохвильових печах.

Не використовуйте піч для зберігання страв чи будь-яких інших предметів.

Після вмикання печі перевірте робочі параметри й переконайтеся, що піч працює належним чином.

Не залишайте піч, що працює, без нагляду.

Вживання особливих заходів безпеки під час приготування страв з високим вмістом цукру або жиру, наприклад, сосисок, пирогів або різдвяного пудингу, дозволяє запобігти перегрівання та підгоранню. Див. відповідні поради в керівництві з експлуатації.

Запобігання можливим тілесним ушкодженням. УВАГА!

Не використовуйте піч, якщо вона має пошкодження чи несправності. Перед початком експлуатації перевіряйте:

- a) Переконайтеся, що дверцята зачиняються надійно, без зміщення й перекосів.
- b) Переконайтеся у тому, що завіси і замок захисних дверцят справні і щільно зачиняються.
- c) Переконайтеся у тому, що ущільнення й ущільнювальні поверхні дверцят не мають пошкоджень.
- d) Переконайтеся у тому, що на внутрішній поверхні камери печі і дверцят немає подряпин.
- e) Переконайтеся у тому, що шнур і вилка живлення не мають пошкоджень.

У разі пошкодження дверцят або ущільнювачів експлуатація печі можлива лише після ремонту, проведеного компетентною особою.

Забороняється самостійне налаштування, ремонт або модифікація печі. З міркувань безпеки усі дії, пов'язані з обслуговуванням або ремонтом печі, які передбачають знімання кришки, що забезпечує захист від випромінювання мікрохвильової енергії, має виконувати лише компетентна особа.

В жодному разі не використовуйте піч з відчиненими дверцятами й не переробляйте встановлені на них захисні фіксатори. Не використовуйте піч, якщо між ущільнювачами дверцят та ущільнювальною поверхнею розташований якийсь предмет.

Не допускайте накопичення на ущільненнях дверцят і суміжних деталях жиру чи бруду. Регулярно чистіть піч та усуйте всі залишки продуктів.

Дотримуйтесь вказівок, які наведено в розділі «Догляд і чищення». Недотримання вказівок щодо регулярного чищення печі може спричинити пошкодження її поверхонь, що значно впливає на термін експлуатації при-

ладу й може стати причиною виникнення небезпечних ситуацій.

Особи, що користуються КАРДІОСТИМУЛЯТОРАМИ, мають проконсультуватися з лікарем або виробником кардіостимулятора щодо протипоказань до використання мікрохвильових печей.

Запобігання можливим ураженням електричним струмом

- Ні в якому разі не знімайте зовнішній корпус.
- Не розливайте рідини й не встромляйте нічого в отвори дверних фіксаторів чи у вентиляційні отвори. У разі пролиття рідини негайно вимкніть піч або від'єднайте її від мережі й викличте уповноваженого агента сервісної служби компанії SHARP.
- Не занурюйте шнур чи вилку живлення у воду чи будь-яку іншу рідину.
- Не допускайте звисання шнура живлення з краю столу чи робочої поверхні.
- Не допускайте доторкання шнура живлення до нагрітих поверхонь, зокрема до задньої стінки печі.
- Апарат і шнур живлення слід встановлювати в місці, недоступному для дітей віком молодше 8 років.
- Не намагайтеся самостійно замінити лампочку в печі й не дозволяйте робити це нікому, окрім уповноваженого компанією SHARP електрика. Якщо лампочка освітлення печі не працює, зверніться до дилера чи уповноваженого агента сервісної служби SHARP.
- Якщо шнур живлення пошкоджено, його заміну має виконати представник авторизованого сервісного центру компанії SHARP.

УВАГА! Не дозволяється підігрівати рідину та іншу їжу у запечатаній тарі, оскільки вона може вибухнути.

Підігрівання напоїв у мікрохвильовій печі може супроводжуватися уповільненим вивержним закипанням, тому з посудом з напоями необхідно поводитися дуже обережно. Запобігання можливому вибуху й раптовому закипанню:

Не використовуйте герметичну тару. Перед застосуванням зніміть пломби і кришки. Герметична тара може вибухнути внаслідок зростання тиску навіть після вимкнення печі. Будьте обережні під час підігрівання рідини в мікрохвильовій печі. Використовуйте тару з широкою горловиною, щоб із неї легко виходили бульбашки.

Ніколи не підігрівайте рідину у тарі з вузьким горлечком, наприклад, у дитячих пляшечках, оскільки це може привести до виверження вмісту після підігрівання й стати причиною опіків.

Запобігання раптовому викиду киплячої рідини й можливим опікам:

1. Не перевищуйте рекомендований час приготування.
2. Збовтуйте рідину перед підігріванням чи повторним підігріванням.
3. Під час повторного підігрівання бажано занурити в рідину скляну паличку чи подібний предмет (не металевий).
4. Підігрівши рідину, залишайте її в печі щонайменше на 20 секунд, щоб уникнути уповільненого виверженого закипання.

Не готуйте яйця у шкаралупі, також не слід розігрівати у мікрохвильовій печі цілі яйця, зварені на круто, оскільки вони можуть вибухнути навіть по закінченні готування. Для приготування або розігрівання незбовтаних або цілих яєць, проколить жовтки й білки. Зніміть шкаралупу й поріжте зварені на круто яйця, перш ніж розігрівати їх у мікрохвильовій печі.

Перед приготуванням проколюйте шкірку таких продуктів, як картопля, сосиски і фрукти, інакше вони можуть вибухнути.

УВАГА! Щоб уникнути опіків, перед вживанням перемішуйте або збовтуйте вміст дитячих пляшечок й баночок з дитячим харчуванням й перевіряйте його температуру. Щоб не обпектися, виймаючи страви з печі, користуйтеся спеціальною ручкою чи рукавичками. Запобігання можливим опікам:

- Відкриваючи ємності, посуд для приготування попкорну, рукави для запікання тощо, тримайте їжу якнайдалі від обличчя, щоб уникнути парових опіків і викидів кип'ятку. Щоб уникнути опіків, завжди, перш ніж подавати їжу, перевіряйте її температуру та перемішуйте, особливо коли страви чи напої призначені немовлятам, дітям та людям похилого віку. Зовнішні деталі під час роботи можуть нагрітися. Не готуйте у присутності маленьких дітей.
- Температура ємності не є вірним показником температури страви чи напою; завжди перевіряйте температуру страви.
- Відчиняючи дверцята печі, завжди ставайте подалі, щоб не обпектися паром та жаром, що виходить назовні.
- Після підігрівання розрізуйте фаршировані запечені страви, щоб випустити пару й уникнути опіків.
- Щоб уникнути опіків у дітей, не дозволяйте їм наближатися до дверцят печі.

УВАГА! Користуватися піччю без нагляду можна лише дітям віком 8 років чи старше, які ознайомилися з відповідними інструкціями, здатні користуватися піччю з дотриманням правил безпеки й розуміють, з якими небезпеками пов'язане неправильне використання.

Оскільки у печі використовується висока температура, діти можуть використовувати піч у режимах

GRILL ("ГРИЛЬ"), MIX GRILL ("КОМБІНОВАНИЙ ГРИЛЬ"), CONVECTION ("КОНВЕКЦІЯ"), MIX CONVECTION ("КОМБІНОВАНА КОНВЕКЦІЯ") та AUTO MENU ("АВТОМЕНЮ") (залежно від моделі) лише під наглядом дорослих.

Даний прилад не призначений для використання особами з обмеженими фізичними, сенсорними або психічними можливостями (у т. ч. дітьми) або особами, що не мають відповідного досвіду чи знань, без нагляду або якщо вони не отримали інструкцій щодо його використання від особи, відповідальної за їхню безпеку.

Наглядайте за дітьми, щоб вони не гралися з апаратом. Чистити його діти можуть, тільки перебуваючи під наглядом.

Моделі з електронною сенсорною панеллю мають режим захисту від дітей.

Не спирайтеся на дверцята печі й не розхитуйте їх. Не грайтеся з піччю й не використовуйте її в якості іграшки.

Необхідно ознайомити дітей з усіма важливими правилами безпеки: користуватися ручками для посуду, обережно знімати шкірку з продуктів, звертати особливу увагу на пакувальні матеріали (наприклад, матеріали, здатні до саморозігріву), призначені для збереження свіжості продуктів, оскільки вони можуть бути дуже гарячими.

Інші застереження

Не намагайтеся якимось чином модифікувати піч.

Не пересувайте піч під час експлуатації.

Ця піч є побутовим приладом. Вона призначена тільки для домашнього користування з метою приготування їжі та напоїв. Сушіння продуктів чи одягу, нагрівання грілок, капців, губок, вологих ганчірок і подібних предметів може супроводжуватись небезпекою травмування, займання чи поже-

жі. Піч не призначена для комерційного чи лабораторного використання.

Надійне користування піччю й уникнення пошкоджень

Ні в якому разі не вмикайте порожню піч. Використовуючи тарілку для обсмажування або матеріали, здатні до само-нагрівання, завжди підкладайте під них теплоізоляційний матеріал, наприклад порцелянову тарілку, щоб запобігти пошкодженню дека внаслідок теплового напруження. Не перевищуйте час попереднього розігрівання, зазначений у рецепті до страви.

Не використовуйте металевий посуд, що відбиває мікрохви-лі й може викликати іскру. Не ставте в піч консервні бляшан-ки.

Збереження цілісності поворотного столика чи дека:

- a)** Перш ніж мити поворотний столик чи деко в воді, заче-кайте, поки він охолоне.
- b)** Не кладіть на холодний поворотний столик чи деко горя-чу їжу або гарячий посуд.
- c)** Під час експлуатації печі не кладіть на її зовнішній корпус жодні предмети.

ПРИМІТКА:

Не користуйтеся для мікрохвильової обробки пластикови-ми ємностями, якщо піч не охолола після роботи в комбі-нованому режимі (залежно від моделі печі): вони можуть розплавитись.

Під час роботи у згаданих вище режимах не слід користува-тися пластиковими ємностями, хіба що виробник цих ємно-стей вказав про можливість такого використання.

У разі виникнення сумнівів щодо підключення приладу до електромережі зверніться до кваліфікованого електрика, якщо має відповідні повноваження.

Ані виробник, ані дилер не несуть жодної відповідальності за пошкодження печі або травми, пов'язані з недотриманням відповідної процедури підключення печі до електромережі.

На стінках печі або навколо ущільнювачів дверцят та ізоляційних поверхонь іноді може з'являтися водяний конденсат або краплі. Це нормальне явище, що не свідчить про витік мікрохвильової енергії або несправність приладу.

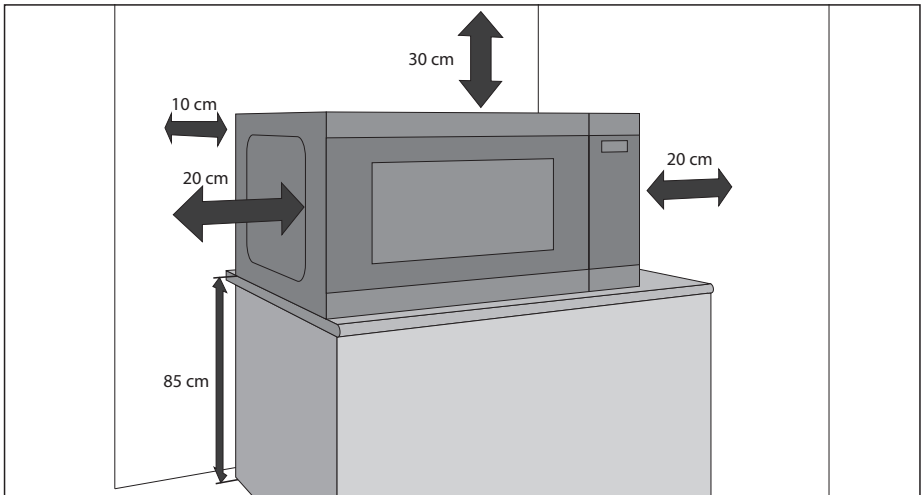
Цей прилад призначений для використання в побутових чи аналогічних умовах: в кухонних зонах, призначених для використання персоналом магазинів, офісів та інших закладів; на сільськогосподарських підприємствах; для використання клієнтами готелів, мотелів та інших закладів для проживання людей; заклади, що надають послуги "ліжко та сніданок".



Цей умовний знак означає, що поверхні нагріваються під час експлуатації приладу.

ВСТАНОВЛЕННЯ

1. Вийміть з внутрішньої камери печі усі пакувальні матеріали й зніміть захисну плівку з поверхні корпусу мікрохвильової печі.
 2. Уважно огляньте піч на предмет будь-яких пошкоджень.
 3. Встановлюйте піч на надійну горизонтальну поверхню, міцність якої дозволить витримати вагу печі разом з найважчим предметом, який можна в ній нагрівати. Не ставте піч у шафу.
 4. Виберіть горизонтальну поверхню, місця на якій достатньо для дотримання необхідного простору навколо вхідних і (або) вихідних вентиляційних отворів. Див. рисунок на першій сторінці. Задньою стінкою апарат можна поставити до стіни.
- Мінімальна монтажна висота складає 85 см.
 - Відстань між бічними стінками мікрохвильової печі і суміжними стінами чи будь-якими іншими предметами має становити не менше ніж 20 см.
 - Висота вільного простору над піччю має становити не менше ніж 30 см.
 - Не знімайте ніжки з днища печі.
 - Перекривання вхідних і (або) вихідних отворів може спричинити пошкодження печі.
 - Розташовуйте піч якомога далі від радіо- та телевізійних приймачів. Користування мікрохвильовою піччю може спричинити виникнення завад у прийманні радіо- та телевізійного сигналу.



5. Надійно вставте вилку печі до стандартної заземленої побутової електророзетки.

УВАГА!

Не ставте піч біля джерел тепла, вологи або в вологих місцях (наприклад, біля звичайної духовки), а також біля займистих матеріалів (наприклад, штор).

Не перекривайте вентиляційні отвори.

Не ставте на піч жодні предмети.

Під час роботи і протягом певного часу після закінчення роботи мікрохвильової печі не доторкайтесь до її кожуха: він може бути гарячим.

РАДІОЗАВАДИ

Під час роботи мікрохвильової печі можуть виникати завади радіотелевізійним чи подібним пристроям. У такому разі їх можна послабити чи усунути, вживши наступних заходів.

1. Очистьте поверхню дотуки дверцят і камери печі.
2. Змініть положення приймальної антени радіоприймача чи телевізора.
3. Змініть положення мікрохвильової печі відносно радіоприймача чи телевізора.
4. Підключіть мікрохвильову піч в іншу електричну розетку, щоб піч та радіоприймальний пристрій були ввімкнені в різні контури побутової електромережі.

ВКАЗІВКИ ЩОДО ЗАЗЕМЛЕННЯ

Прилад має бути заземлено. Шнур живлення печі має провідник заземлення та вилку з контактом заземлення. Цю вилку слід вставляти у належним способом встановлену розетку, підключену до контура заземлення. У разі електричного короткого замикання заземлення зменшує ризик ураження електричним струмом, оскільки витік електричного струму відбувається через захисний провідник. Рекомендується влаштовувати живлення печі через окреме електричне коло.

⚠ УВАГА! Неправильне використання вилки з контактом заземлення може призвести до ризику ураження електричним струмом.

ПРИМІТКА:

1. у разі виникнення запитань щодо заземлення чи інші питання щодо електропостачання, зверніться до кваліфікованого електрика чи особи, що здійснює сервісне обслуговування.
2. Ані виробник, ані дилер не несуть жодної відповідальності за пошкодження печі або травми, пов'язані з недотриманням порядку підключення печі до електромережі.

Провідники кабелю живлення, який використовується у мікрохвильовій печі, мають різні кольори, які відповідають їхньому призначенню:
жовто-зелений — ЗАЗЕМЛЕННЯ;
синій — НЕЙТРАЛЬ;
коричневий — ФАЗА.

ТЕХНІЧНІ ХАРАКТЕРИСТИКИ

Назва моделі:	УС-PS204A	УС-PS234A	УС-PS254A	УС-PG204A	УС-PG234A	УС-PG254A	УС-PG284A	
Напруга джерела змінного струму	однофазна, 230–240 В, 50 Гц							
Запобіжник чи автоматичний вимикач розподільної лінії	10 А							
Потужність:	700 Вт	900 Вт	900 Вт	700 Вт	900 Вт	900 Вт	900 Вт	
Потужність:	Гриль				900 Вт	1000 Вт	1000 Вт	1000 Вт
	Режим «вимкнено»	менш ніж 0,5 Вт						
	Енергоощадний режим	більше ніж 0,5 Вт						
	Споживана потужність	1200 Вт	1400 Вт	1400 Вт	1400 Вт	1400 Вт	1400 Вт	1400 Вт
Частота мікрохвиль	2450 МГц*							
Габаритні розміри (Ш x В x Г) мм	455 x 274 x 334	483 x 281 x 377	483 x 281 x 403	455 x 274 x 345	483 x 281 x 395	483 x 281 x 403	539 x 309 x 441	
Розміри камери (Ш x В x Г)** мм	315 x 198 x 297	340 x 220 x 320	340 x 220 x 344	315 x 198 x 297	340 x 220 x 320	340 x 220 x 344	354 x 220 x 358	
Місткість печі	20 літрів**	23 літрів**	25 літрів**	20 літрів**	25 літрів**	25 літрів**	28 літрів**	
Діаметр поворотного столика	245 мм	270 мм	270 мм	245 мм	270 мм	270 мм	325 мм	
Розміри решітки для грилю (Ш) x (Г), мм				190 x 79	80 x 208	80 x 208	89 x 285	
Маса	прибл. 10,5 кг	прибл. 12,9 кг	прибл. 13,5 кг	прибл. 10,9 кг	прибл. 13,9 кг	прибл. 13,7 кг	прибл. 16,6 кг	
Лампочка освітлення духовки (світлодіодна)	1,5 Вт							

* - Цей виріб відповідає вимогам європейського стандарту EN55011. Згідно з цим стандартом, цей виріб належить до обладнання групи 2, класу В.

Належність до групи 2 означає, що для теплової обробки їжі цей прилад у нормальному режимі роботи генерує радіочастотну енергію у формі електромагнітного випромінювання.

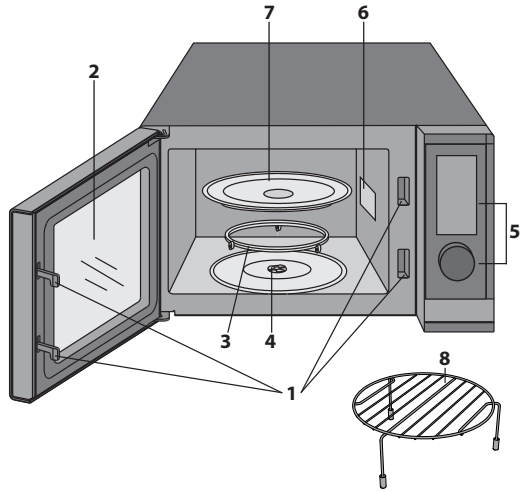
Належність до класу В означає, що цей прилад придатний до використання в домашньому господарстві.

** - Внутрішню місткість розраховано шляхом вимірювання максимальної ширини, глибини й висоти. Фактична місткість для закладення їжі є меншою за розрахунок.

У РАМКАХ ПОЛІТИКИ ПОСТІЙНОГО ВДОСКОНАЛЕННЯ МИ ЗАЛИШАЄМО ЗА СОБОЮ ПРАВО БЕЗ ПОПЕРЕДЖЕННЯ ЗМІНЮВАТИ КОНСТРУКЦІЮ ТА ТЕХНІЧНІ ХАРАКТЕРИСТИКИ ОБЛАДНАННЯ.

ПІЧ І ПРИЛАДДА ДО НЕЇ

1. Захисний замок дверця
2. Оглядове вікно
3. Роликове кільце
4. Муфта поворотного столика
5. Поворотна ручка і кнопки керування
6. Кришка хвилеводу (не знімати!)
7. Скляне деко
8. Решітка грилю для моделей YC-PG204A, YC-PG234A, YC-PG254A і YC-PG284A
9. Вентиляційні отвори
10. Зовнішній корпус
11. Шнур живлення



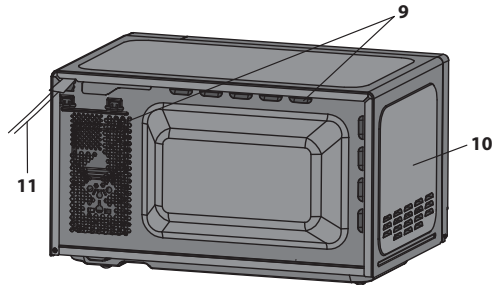
Перевірте наявність наступного приладдя:

Тільки у печах із грилем:

- **Решітка грилю** – тільки для приготування на грилі.
- Решітка грилю призначена тільки для використання у печах із грилем. Використовувати решітку під час користування функцією мікрохвиль ЗАБОРОНЕНО.
- Порядок користування решіткою для грилю описано в розділі "ГРИЛЬ" цього керівництва з експлуатації.

Ніколи не торкайтеся гарячої решітки.

ПРИМІТКА: Замовляючи приладдя, вкажіть назву деталі й модель печі.



ПРИМІТКИ:

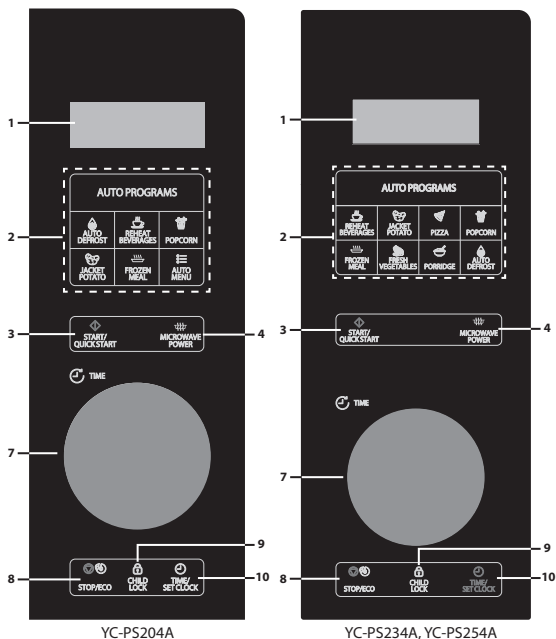
- Готуючи жирні страви без кришки, по завершенні ретельно очищуйте внутрішню камеру. Вони мають завжди бути сухими й чистими. Перегрівання застарілого жиру може призвести до виникнення диму чи пожежі.
- Під час приготування у мікрохвильовому режимі завжди ставте посуд на поворотний столик.
- Використовувати решітку для грилю під час користування функцією мікрохвиль ЗАБОРОНЕНО.



ПОПЕРЕДЖЕННЯ: Ця позначка означає, що під час роботи поверхні можуть нагріватися. Під час роботи дверця, зовнішній корпус, внутрішня камера, приладдя та посуд можуть сильно нагріватися. Щоб уникнути опіків, завжди користуйтеся товстими рукавичками.

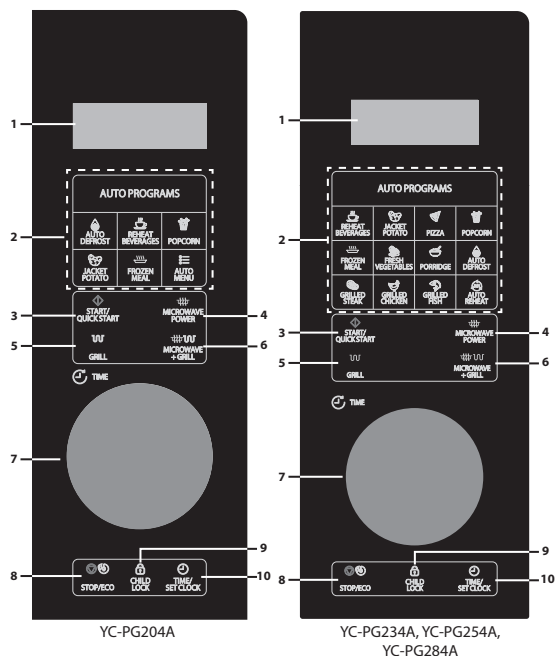
ПАНЕЛЬ КЕРУВАННЯ

- ЦИФРОВИЙ ДИСПЛЕЙ** – відображає час приготування, потужність, індикатори і час за годинником.
- Кнопки АВТОМЕНЮ** – використовуються для вибору меню автоматичного приготування (рекомендації щодо використання див. на сторінці 19).
- START/QUICK START (СТАРТ/ШВИДКИЙ СТАРТ)** – (сторінка 18).
- MICROWAVE POWER (ПОТУЖНІСТЬ МІКРОХВИЛЬ)** – вибір рівня потужності мікрохвильового поля (сторінка 17).
- GRILL (ГРИЛЬ)** – встановлення програми приготування на грилі (сторінка 18).
- MICROWAVE+GRILL (МІКРОХВИЛЬ + ГРИЛЬ)** – встановлення програми приготування з комбінуванням мікрохвильової енергії та грилю (сторінка 18).
- ПОВОРОТНА РУЧКА** – вибір різних функцій шляхом обертання праворуч/ліворуч.
- STOP/ECO (СТОП/ЕКО)** – однократне натискання - тимчасове призупинення приготування; двократне - скасування приготування. Використовується для налаштування режиму економії енергії (сторінка 23).
- CHILD LOCK (ЗАХИСТ ВІД ДІТЕЙ)** – (сторінка 24).
- TIME/SET CLOCK (ГОДИННИК/ТАЙМЕР)** – встановлення часу за годинником і налаштування функції таймера (сторінка 16).



YC-PS204A

YC-PS234A, YC-PS254A



YC-PG204A

YC-PG234A, YC-PG254A,
YC-PG284A

ПЕРШ НІЖ ПОЧАТИ КОРИСТУВАТИСЬ ПІЧЧЮ

Після першого підключення до електромережі піч подає звуковий сигнал, а на дисплеї з'являються цифри: "1:00". Зверніть увагу, що для нормальної роботи печі не обов'язково налаштувати годинник. Порядок налаштування годинника описано в розділі "**Налаштування годинника**" у цьому керівництві з експлуатації. Коли у новій печі вперше використовується гриль, може з'являтися дим і специфічний запах. Щоб це не відбувалося під час приготування їжі, увімкніть функцію грилю без продуктів приблизно на 20 хвилин.

- Якщо відчинити й зачинити дверцята, піч перейде в режим очікування. Якщо протягом 1 хвилини не натиснути жодної кнопки, дисплей продовжуватиме світитися, але кнопки перестануть працювати. Щоб повернутись у режим очікування, відчиніть і зачиніть дверцята.
- Однократне натискання кнопки **STOP/ECO (СТОП/ЕКО)** під час приготування призводить до тимчасового припинення роботи. Щоб продовжити приготування, необхідно натиснути кнопку **START/QUICK START (СТАРТ/ШВИДКИЙ СТАРТ)**. Якщо натиснути кнопку **STOP/ECO (СТОП/ЕКО)** двічі, приготування буде припинено.
- Якщо під час налаштування печі для використання якоїсь функції не натиснути жодної кнопки протягом більш як 30 секунд, піч повернеться в режим очікування.
- Після закінчення циклу приготування на дисплеї з'являється напис "**End**" (Кінець), а кожні дві хвилини подається звуковий сигнал, аж поки не буде відчинено дверцята або натиснуто будь-яку кнопку.

НАЛАШТУВАННЯ ГОДИННИКА

Ця піч має годинник, який може показувати час у 12-годинному чи 24-годинному форматі. Налаштування годинника здійснюється у наступному порядку:

1. Коли піч перебуває у режимі очікування, натисніть і утримуйте кнопку **TIME/SET CLOCK (ГОДИННИК/ТАЙМЕР)** принаймні на 3 секунди, щоб перейти у режим налаштування годинника.
 2. Натискаючи кнопку **TIME/SET CLOCK (ГОДИННИК/ТАЙМЕР)**, виберіть 12- чи 24-годинний формат часу.
 3. Обертаючи **ПОВОРОТНУ РУЧКУ**, встановіть годину. Збережіть встановлену годину, натиснувши кнопку **TIME/SET CLOCK (ГОДИННИК/ТАЙМЕР)**.
 4. Обертаючи **ПОВОРОТНУ РУЧКУ**, встановіть хвилини. Збережіть встановлені хвилини, натиснувши кнопку **TIME/SET CLOCK (ГОДИННИК/ТАЙМЕР)**.
- Для нормальної роботи печі не обов'язково налаштувати годинник.
 - Коли піч використовується для приготування їжі, після натискання кнопки **TIME/SET CLOCK (ГОДИННИК/ТАЙМЕР)** на дисплеї відображається час доби (якщо встановлено). Через п'ять секунд на дисплеї замість часу доби знову відображається час, що залишився до кінця приготування. Зверніть увагу, що у разі налаштування кухонного таймера час доби не відображається.

ПРИГОТУВАННЯ СТРАВ У МІКРОХВИЛЬОВІЙ ПЕЧІ

Для приготування з використанням функції мікрохвиль слід виконати такі дії:

1. Коли піч перебуває в режимі очікування, виберіть рівень потужності, натиснувши кнопку **MICROWAVE POWER (ПОТУЖНІСТЬ МІКРОХВИЛЬ)**. Кожне натискання цієї кнопки супроводжується показом рівня потужності мікрохвильового поля.
2. Вибравши потрібний рівень потужності мікрохвильового поля, виберіть час приготування, обертаючи **ПОВОРОТНУ РУЧКУ**.
3. Натисніть кнопку **START/QUICK START (СТАРТ/ШВИДКИЙ СТАРТ)**, щоб почати приготування їжі.
4. Після закінчення циклу приготування на дисплеї з'являється напис "End" (Кінець), а кожні дві хвилини подається звуковий сигнал, аж поки не буде відчинено дверцята або натиснуто будь-яку кнопку.

Зверніть увагу, що дані в наступній таблиці лише орієнтовні. Піч має 10 рівнів потужності мікрохвильового поля: 10%, 20%, 30%, 40%, 50%, 60%, 70%, 80%, 90% і 100%. Дійсну потужність можна визначити, помноживши потужність мікрохвильового поля на відповідний коефіцієнт.

Рекомендації щодо приготування страв у мікрохвильовій печі

Дисплей	Потужність мікрохвиль	Рекомендований спосіб використання
P100	100 %	Використовується для швидкого приготування чи розігрівання, наприклад, запіканок, гарячих напоїв, овочів тощо.
P-80	80 %	Використовується для продуктів щільної консистенції, що вимагають тривалого приготування, коли готуються традиційним способом, наприклад, для страв з яловичини. Рекомендується використовувати цей режим, щоб м'ясо було ніжним.
P-60	60 %	Використовується для більш тривалого приготування продуктів щільної консистенції, таких як смажене м'ясо, м'ясний хліб та готові страви у посуді, а також для приготування ніжних страв, наприклад, сирного соусу та бісквітних тістечок.
P-40	40 %	Використовується для розморожування, оберіть цей режим для рівномірного розморожування страви. Цей режим також ідеально годиться для повільного варіння рису, макаронних виробів, пельменів та приготування заварного крему.
P-20	20 %	Використовується для повільного розморожування, наприклад, кремкових тортів чи випічки.

- Під час приготування можна перевірити рівень потужності, натиснувши та утримуючи кнопку **MICROWAVE POWER (ПОТУЖНІСТЬ МІКРОХВИЛЬ)**.
- Максимальний час приготування становить 95 хвилин.

ШВИДКИЙ ПУСК

Якщо потрібно готувати на потужності 100%, просто натискайте кнопку **START/QUICK START (СТАРТ/ШВИДКИЙ СТАРТ)** над **ПОВОРОТНОЮ РУЧКОЮ**, коли піч перебуває в режимі очікування. Кожне натискання кнопки **START/QUICK START (СТАРТ/ШВИДКИЙ СТАРТ)** збільшує час приготування на 30 секунд.

ПРИГОТУВАННЯ ЇЖИ У РЕЖИМІ "ГРИЛЬ"*

Гриль, розташований в верхній частині камери печі, має лише один рівень потужності, працює ефективно та економічно. Гриль ідеально пасує для приготування бекону, шинки, рибних паличок чи кексів до чаю. Невеликі вироби, наприклад бекон чи сосиски, можна класти безпосередньо на решітку для грилю або ж на відкриту тарілку чи жаростійку плитку. Коли мине половина часу, їх слід перевернути. Щоб із продуктів витік весь жир, під решітку слід підставити відповідний піддон.

Решітку для грилю можна користуватися, підсмажуючи продукти у жаростійкому посуді до утворення скоринки, якщо піддон має достатню глибину. Але краще поставити такий посуд на поворотний столик, трохи збільшивши час приготування. Використовувати решітку для приготування на грилі неможливо.

Для приготування з використанням функції грилю слід виконати такі дії:

1. Коли піч перебуває в режимі очікування, виберіть функцію грилю, натиснувши кнопку **GRILL (ГРИЛЬ)**. На дисплеї з'явиться напис: "Grill" (Гриль)
2. Обертаючи **ПОВОРОТНУ РУЧКУ**, виберіть час приготування.
3. Натисніть кнопку **START/QUICK START (СТАРТ/ШВИДКИЙ СТАРТ)**, щоб почати приготування їжі.
4. Після закінчення циклу приготування на дисплеї з'являється напис "End" (Кінець), а кожні 2 хвилини подається звуковий сигнал, аж поки не буде відчинено дверцята або натиснуто будь-яку кнопку.

* - Тільки для моделей із грилем.

MICROWAVE+GRILL (МІКРОХВИЛІ + ГРИЛЬ)*

Користуючись одночасно мікрохвильовим режимом і грилем, можна швидко приготувати і підсмажити продукти. Для приготування з використанням мікрохвиль і функції грилю слід виконати такі дії:

1. Коли піч перебуває в режимі очікування, натисніть кнопку **MICROWAVE+GRILL (МІКРОХВИЛІ + ГРИЛЬ)** один раз, щоб вибрати комбінацію "Со-1", або двічі, щоб вибрати комбінацію "Со-2".
2. Обертаючи **ПОВОРОТНУ РУЧКУ**, виберіть час приготування.
3. Щоб розпочати приготування, натисніть кнопку **START/QUICK START (СТАРТ/ШВИДКИЙ СТАРТ)**.
4. Після закінчення циклу приготування на дисплеї з'являється напис "End" (Кінець), а кожні дві хвилини подається звуковий сигнал, аж поки не буде відчинено дверцята або натиснуто будь-яку кнопку.

Мікрохвилі + функція грилю

Дисплей	Потужність	Рекомендований спосіб використання
Со-1	70% гриль / 30% мікрохв.	порційна курятина, куряча грудка, свиняча корейка
Со-2	56% гриль / 44% мікрохв.	Ціла курка

- Максимальний час приготування з застосуванням грилю становить 95 хвилин.
- Щоб під час роботи розсіювались дим чи запахи, відчиніть вікно або увімкніть кухонну витяжку. Це нормальне явище, яке не є ознакою несправності печі.
- Під час приготування можна перевірити сумарну потужність, натиснувши кнопку **MICROWAVE + GRILL (МІКРОХВИЛІ + ГРИЛЬ)**.
- ПРИМІТКА: Під час користування грилем гриль періодично вмикається й вимикається, щоб запобігти перегріванню.
- Користуючись мікрохвильовим режимом із функцією грилю, можна класти продукти у придатний посуд на поворотному столику або безпосередньо на решітку для грилю, яка входить у комплект печі.

УВАГА! Під час експлуатації дверцята, зовнішній корпус, камера печі, комплектуючі деталі й тарілки можуть сильно нагріватися.

Щоб уникнути опіків, завжди користуйтеся товстими рукавичками.

* - Тільки для моделей із грилем.

АВТОМЕНЮ

Для зручності користування у прилад закладено програми автоматичного приготування. Користуючись ними, можна швидко й ефективно готувати їжу, натискаючи менше кнопок. Задавати тривалість і потужність приготування не потрібно — досить лише натиснути кнопку потрібного рецепту, вибрати масу/кількість порцій, обертаючи **ПОВОРОТНУ РУЧКУ**, і натиснути кнопку START/QUICK START (СТАРТ/ШВИДКИЙ СТАРТ).

Наприклад: приготувати дві картоплини в лушпинні.

1. Відчиніть дверцята і поставте в піч продукти у посуді, придатному для використовуваного режиму приготування.
2. Зачиніть дверцята.
3. Натисніть кнопку **"JACKET POTATO"** (КАРТОПЛЯ В ЛУШПИННІ) один раз.
4. Повертаючи **ПОВОРОТНУ РУЧКУ**, введіть кількість картоплин.
5. Натисніть кнопку **START/QUICK START (СТАРТ/ШВИДКИЙ СТАРТ)**.
6. Після закінчення циклу приготування на дисплеї з'являється напис **"End"** (Кінець), а кожні дві хвилини подається звуковий сигнал, аж поки не буде відчинено дверцята або натиснуто будь-яку кнопку.

Меню режиму автоматичного приготування:

Програма автоматичного приготування	Розмір/маса
Заморожені страви Автоматичне розморожування Автоматичне підігрівання	Виберіть масу, обертаючи ПОВОРОТНУ РУЧКУ . Заморожені напівфабрикати й автоматичне розігрівання (від 200 до 800 г), автоматичне розморожування (від 100 до 1800 г)
Підігрівання напоїв	Виберіть кількість горняток (місткістю 200 мл), обертаючи ПОВОРОТНУ РУЧКУ . Вона може становити від 1 до 3 горняток.
Картопля в лушпинні	Виберіть кількість картоплин (масою по 230 г), обертаючи ПОВОРОТНУ РУЧКУ . Вона може становити 1 чи 2 шт.
Піца	Виберіть масу піци (150 г / 300 г / 450 г), обертаючи ПОВОРОТНУ РУЧКУ .
Попкорн	Виберіть кількість пачок попкорну (масою по 100 г), обертаючи ПОВОРОТНУ РУЧКУ .
Свіжі овочі	Виберіть кількість овочів (від 200 г до 600 г), обертаючи ПОВОРОТНУ РУЧКУ .
Вівсяна каша	Виберіть масу каші (у грамах), обертаючи ПОВОРОТНУ РУЧКУ . Вона може становити від 50 до 150 г.
Стейк на грилі (тільки у моделях із функцією грилю)	Виберіть масу стейку (від 200 г до 600 г), обертаючи ПОВОРОТНУ РУЧКУ .
Курка гриль (тільки у моделях із функцією грилю)	Виберіть масу курки (від 200 г до 600 г), обертаючи ПОВОРОТНУ РУЧКУ .
Риба гриль (тільки у моделях із функцією грилю)	Виберіть масу риби (від 200 г до 600 г), обертаючи ПОВОРОТНУ РУЧКУ .

- Результат автоматичного приготування залежить від таких чинників як форма і розмір продуктів, ваші особисті вподобання, ступінь готовності певних продуктів і способу розміщення у печі. Якщо результат приготування незадовільний, скоригуйте час приготування.

Примітка: Кнопка автоменю використовується тільки у моделях YC-PG204A і YC-PS204A. Кожне натискання кнопки автоменю супроводжується відображенням на дисплеї програми автоматичного приготування, як у наступній таблиці. Знайшовши потрібне автоменю, виберіть обертаням **ПОВОРОТНОЇ РУЧКИ** масу продуктів, які потрібно приготувати.

Опис програм автоматичного приготування

Страва	Кількість	Початкова температура	Порядок приготування
Підігрівання напоїв	Від 1 до 3 горняток 1 горняток = 200 мл	Кімнатна	<ol style="list-style-type: none"> Поставте горнятко з напоєм, який потрібно підігріти, посередині скляного поворотного стола мікрохвильової печі Зачиніть дверцята, натисніть кнопку REHEAT BEVERAGES (ПІДГРІВАННЯ НАПОЇВ) і виберіть кількість горняток, повернувши ПОВОРОТНУ РУЧКУ. Натисніть кнопку START/QUICK START (СТАРТ/ШВИДКИЙ СТАРТ), щоб почати приготування їжі. Коли зупиниться таймер, заберіть горнятко з напоєм. Обережно: напій може бути гарячим.
Картопля в лущинці	Від 1 до 2 картоплин 1 картоплина = 230±10 г	Кімнатна	<ol style="list-style-type: none"> Вимийте і витріть насухо картоплю, проколіть шкірку картоплі виделкою в декількох місцях. Покладіть картоплю посередині скляного поворотного стола мікрохвильової печі. Зачиніть дверцята, натисніть кнопку JACKET POTATO (КАРТОПЛЯ В ЛУШПИНЦІ) і виберіть кількість картоплин, повернувши ПОВОРОТНУ РУЧКУ. Натисніть кнопку START/QUICK START (СТАРТ/ШВИДКИЙ СТАРТ), щоб почати приготування їжі. Коли зупиниться таймер, заберіть з мікрохвильової печі картоплю. Обережно: страва може бути гарячою.
Піца	Від 150 до 450 г	Заморожена до -18 °C	<ol style="list-style-type: none"> Покладіть піцу на тарілку, придатну для використання в мікрохвильовій печі, і поставте її посередині скляного поворотного стола мікрохвильової печі. Зачиніть дверцята, натисніть кнопку PIZZA (ПІЦА) і виберіть вагу, повернувши ПОВОРОТНУ РУЧКУ. Натисніть кнопку START/QUICK START (СТАРТ/ШВИДКИЙ СТАРТ), щоб почати приготування їжі. Коли зупиниться таймер, заберіть з мікрохвильової печі піцу. Обережно: страва може бути гарячою.
Попкорн	100 г	Кімнатна	<ol style="list-style-type: none"> Покладіть попкорн посередині скляного поворотного стола мікрохвильової печі. Зачиніть дверцята і натисніть кнопку POPCORN (ПОПКОРН). Натисніть кнопку START/QUICK START (СТАРТ/ШВИДКИЙ СТАРТ), щоб почати приготування їжі. Коли зупиниться таймер, заберіть з мікрохвильової печі попкорн. Обережно: страва може бути гарячою.
Заморожені страви	200 – 800 г	Заморожена до -18 °C	<ol style="list-style-type: none"> Покладіть заморожену страву на тарілку, придатну для використання в мікрохвильовій печі, і накрийте її харчовою плівкою; проколіть плівку. Поставте тарілку посередині скляного поворотного стола мікрохвильової печі. Зачиніть дверцята, натисніть кнопку FROZEN MEAL (ЗАМОРОЖЕНІ СТРАВИ) і виберіть вагу, повернувши ПОВОРОТНУ РУЧКУ. Натисніть кнопку START/QUICK START (СТАРТ/ШВИДКИЙ СТАРТ), щоб почати приготування їжі. Коли зупиниться таймер, заберіть страву з мікрохвильової печі і подайте на стіл. Обережно: страва може бути гарячою.
Свіжі овочі	200 – 600 г	Кімнатна	<ol style="list-style-type: none"> Помийте й поріжте овочі дрібними шматочками завдовжки 25–30 мм і завтовшки 10 мм. Покладіть заморожені подрібнені овочі в керамічну каструлю, придатну для використання в мікрохвильовій печі, і накрийте її харчовою плівкою; проколіть плівку. Поставте каструлю посередині скляного поворотного стола мікрохвильової печі. Зачиніть дверцята, натисніть кнопку FRESH VEGETABLES (СВІЖІ ОВОЧІ) і виберіть вагу, повернувши ПОВОРОТНУ РУЧКУ. Натисніть кнопку START/QUICK START (СТАРТ/ШВИДКИЙ СТАРТ), щоб почати приготування їжі. Коли зупиниться таймер, заберіть страву з мікрохвильової печі і подайте на стіл. Обережно: страва може бути гарячою.
Вівсяна каша	50 – 150 г	Кімнатна	<ol style="list-style-type: none"> Змішайте в каструлі вівсяні пластівці з молоком. Використовуйте 180 мл молока на кожні 50 г пластівців. Поставте каструлю посередині скляного поворотного стола. Зачиніть дверцята, натисніть кнопку PORRIDGE (ВІВСЯНА КАША) і виберіть вагу, повернувши ПОВОРОТНУ РУЧКУ. Натисніть кнопку START/QUICK START (СТАРТ/ШВИДКИЙ СТАРТ), щоб почати приготування їжі. Коли зупиниться таймер, заберіть страву з мікрохвильової печі і подайте на стіл.
Автоматичне підігрівання	200 – 800 г	Охолоджене до 5 °C	<ol style="list-style-type: none"> Покладіть холодний рис або макарони в керамічну каструлю, придатну для використання в мікрохвильовій печі, і накрийте її харчовою плівкою; проколіть плівку. Поставте каструлю посередині скляного поворотного стола мікрохвильової печі. Зачиніть дверцята, натисніть кнопку AUTO REHEAT (АВТОМАТИЧНЕ ПІДГРІВАННЯ) і виберіть вагу, повернувши ПОВОРОТНУ РУЧКУ. Натисніть кнопку START/QUICK START (СТАРТ/ШВИДКИЙ СТАРТ), щоб почати приготування їжі. Коли зупиниться таймер, заберіть страву з мікрохвильової печі і подайте на стіл.
Лангет гриль	200 – 600 г	Кімнатна	<ol style="list-style-type: none"> Рівномірно розкладіть лангет по решітці для гриля, покритій жиронепроникним папером. Поставте решітку для гриля посередині скляного поворотного стола мікрохвильової печі. Зачиніть дверцята, натисніть кнопку GRILLED STEAK (ЛАНГЕТ ГРИЛЬ) і виберіть вагу, повернувши ПОВОРОТНУ РУЧКУ. Натисніть кнопку START/QUICK START (СТАРТ/ШВИДКИЙ СТАРТ), щоб почати приготування їжі. Коли мине дві третини часу приготування, відчиніть дверцята і перевірте продукти, після чого зачиніть дверцята і продовжте приготування. Коли зупиниться таймер, заберіть страву з мікрохвильової печі і подайте на стіл. Обережно: страва і приладдя можуть бути гарячими.
Курячі шматочки гриль	200 – 600 г	Кімнатна	<ol style="list-style-type: none"> Рівномірно розкладіть курячі шматочки по решітці для гриля, покритій жиронепроникним папером. Поставте решітку для гриля посередині скляного поворотного стола мікрохвильової печі. Зачиніть дверцята, натисніть кнопку Grilled Chicken (Курячі шматочки гриль) і виберіть вагу, повернувши ПОВОРОТНУ РУЧКУ. Натисніть кнопку START/QUICK START (СТАРТ/ШВИДКИЙ СТАРТ), щоб почати приготування їжі. Коли мине дві третини часу приготування, відчиніть дверцята і перевірте продукти, після чого зачиніть дверцята і продовжте приготування. Коли зупиниться таймер, заберіть страву з мікрохвильової печі і подайте на стіл. Обережно: страва і приладдя можуть бути гарячими.
Рибні шматочки гриль	100 – 500 г	Кімнатна	<ol style="list-style-type: none"> Рівномірно розкладіть шматочки риби по решітці для гриля, покритій жиронепроникним папером. Поставте решітку для гриля посередині скляного поворотного стола мікрохвильової печі. Зачиніть дверцята, натисніть кнопку GRILLED FISH (ЛАНГЕТ ГРИЛЬ) і виберіть вагу, повернувши ПОВОРОТНУ РУЧКУ. Натисніть кнопку START/QUICK START (СТАРТ/ШВИДКИЙ СТАРТ), щоб почати приготування їжі. Коли мине дві третини часу приготування, відчиніть дверцята і перевірте продукти, після чого зачиніть дверцята і продовжте приготування. Коли зупиниться таймер, заберіть страву з мікрохвильової печі і подайте на стіл. Обережно: страва і приладдя можуть бути гарячими.

Примітка	Режим роботи печі	YC-P5204A	YC-P5234A і YC-P5254A	YC-PG204A	YC-PG234A, YC-PG254A і YC-PG284A
	Тільки мікрохвильова обробка з потужністю 100%	1 горнятко - 1:40 хв 2 горнятка: 3:00 хв 3 горнятка: 4:20 хв	1 горнятко - 1:30 хв 2 горнятка: 2:40 хв 3 горнятка: 3:50 хв	1 горнятко - 1:40 хв 2 горнятка: 3:00 хв 3 горнятка: 4:20 хв	1 горнятко - 1:30 хв 2 горнятка: 2:40 хв 3 горнятка: 3:50 хв
	Тільки мікрохвильова обробка з потужністю 100%	1 картоплина - 6:00 хв 2 картоплини: 9:00 хв 3 картоплини: 13:00 хв	1 картоплина - 5:00 хв 2 картоплини: 8:00 хв 3 картоплини: 12:00 хв	1 картоплина - 6:00 хв 2 картоплини: 9:00 хв 3 картоплини: 13:00 хв	1 картоплина - 5:00 хв 2 картоплини: 8:00 хв 3 картоплини: 12:00 хв
У моделях YC-P5204A і YC-PG204A потрібно натиснути кнопку AUTO MENU (АВТОМЕНЮ), поки не з'явиться потрібна програма.	Тільки мікрохвильова обробка з потужністю 100%	150 г — 1:00 хв 300 г — 1:30 хв 450 г — 2:00 хв	150 г — 0:50 хв 300 г — 1:20 хв 450 г — 1:50 хв	150 г — 1:00 хв 300 г — 1:30 хв 450 г — 2:00 хв	150 г — 0:50 хв 300 г — 1:20 хв 450 г — 1:50 хв
	Тільки мікрохвильова обробка з потужністю 100%	100 г — 3:00 хвилини	100 г — 2:00 хвилини	100 г — 3:00 хвилини	100 г — 2:30 хвилини
	Мікрохвильова обробка з потужністю 100% протягом 1/2 часу, потім 0% протягом 1/6 часу і знову 100% протягом 1/3 часу	200 г — 8:00 хв 400 г — 11:00 хв 600 г — 15:00 хв 800 г — 18:00 хв	200 г — 6:00 хв 400 г — 09:00 хв 600 г — 13:00 хв 800 г — 16:00 хв	200 г — 8:00 хв 400 г — 11:00 хв 600 г — 15:00 хв 800 г — 18:00 хв	200 г — 6:00 хв 400 г — 09:00 хв 600 г — 13:00 хв 800 г — 16:00 хв
У моделях YC-P5204A і YC-PG204A потрібно натиснути кнопку AUTO MENU (АВТОМЕНЮ), поки не з'явиться потрібна програма.	Тільки мікрохвильова обробка з потужністю 100%	200 г — 3:30 хв 300 г — 4:30 хв 400 г — 05:30 хв 500 г — 6:30 хв 600 г — 07:30 хв	200 г — 3:00 хв 300 г — 4:00 хв 400 г — 05:00 хв 500 г — 6:00 хв 600 г — 07:00 хв	200 г — 3:30 хв 300 г — 4:30 хв 400 г — 05:30 хв 500 г — 6:30 хв 600 г — 07:30 хв	200 г — 3:00 хв 300 г — 4:00 хв 400 г — 05:00 хв 500 г — 6:00 хв 600 г — 07:00 хв
У моделях YC-P5204A і YC-PG204A потрібно натиснути кнопку AUTO MENU (АВТОМЕНЮ), поки не з'явиться потрібна програма.	Мікрохвиль — 100%	50 г — 2:00 хвилини 100 г — 3:30 хвилини 150 г — 5:30 хвилини	50 г — 2:00 хвилини 100 г — 3:30 хвилини 150 г — 5:30 хвилини	50 г — 2:00 хвилини 100 г — 3:30 хвилини 150 г — 5:30 хвилини	50 г — 2:00 хвилини 100 г — 3:30 хвилини 150 г — 5:30 хвилини
У моделі YC-PG204A потрібно натиснути кнопку AUTO MENU (АВТОМЕНЮ), поки не з'явиться потрібна програма.	Тільки мікрохвильова обробка з потужністю 100%	200 г — 2:00 хв 300 г — 2:40 хв 400 г — 03:20 хв 500 г — 4:00 хв 600 г — 04:40 хв 700 г — 5:20 хв 800 г — 06:00 хв	200 г — 1:30 хв 300 г — 2:00 хв 400 г — 02:30 хв 500 г — 3:00 хв 600 г — 03:30 хв 700 г — 4:00 хв 800 г — 04:30 хв	200 г — 2:00 хв 300 г — 2:40 хв 400 г — 03:20 хв 500 г — 4:00 хв 600 г — 04:40 хв 700 г — 5:20 хв 800 г — 06:00 хв	200 г — 1:30 хв 300 г — 2:00 хв 400 г — 02:30 хв 500 г — 3:00 хв 600 г — 3:30 хв 700 г — 4:00 хв 800 г — 04:30 хв
У моделі YC-PG204A потрібно натиснути кнопку AUTO MENU (АВТОМЕНЮ), поки не з'явиться потрібна програма.	На 10 секунд вмикається на повну потужність мікрохвильове поле, а потім на 23 секунди гриль. Цей цикл повторюється аж до закінчення встановленого часу. Мікрохвильове поле і гриль ніколи не працюють одночасно.	Немає	Немає	200 г — 15:00 хв 300 г — 18:00 хв 400 г — 21:00 хв 500 г — 24:00 хв 600 г — 27:00 хв	200 г — 15:00 хв 300 г — 18:00 хв 400 г — 21:00 хв 500 г — 24:00 хв 600 г — 27:00 хв
У моделі YC-PG204A потрібно натиснути кнопку AUTO MENU (АВТОМЕНЮ), поки не з'явиться потрібна програма.	На 10 секунд вмикається на повну потужність мікрохвильове поле, а потім на 23 секунди гриль. Цей цикл повторюється аж до закінчення встановленого часу. Мікрохвильове поле і гриль ніколи не працюють одночасно.	Немає	Немає	200 г — 15:00 хв 300 г — 18:00 хв 400 г — 21:00 хв 500 г — 24:00 хв 600 г — 27:00 хв	200 г — 15:00 хв 300 г — 18:00 хв 400 г — 21:00 хв 500 г — 24:00 хв 600 г — 27:00 хв
У моделі YC-PG204A потрібно натиснути кнопку AUTO MENU (АВТОМЕНЮ), поки не з'явиться потрібна програма.	На 10 секунд вмикається на повну потужність мікрохвильове поле, а потім на 23 секунди гриль. Цей цикл повторюється аж до закінчення встановленого часу. Мікрохвильове поле і гриль ніколи не працюють одночасно.	Немає	Немає	100 г — 12:00 хв 200 г — 15:00 хв 300 г — 18:00 хв 400 г — 21:00 хв 500 г — 24:00 хв	100 г — 12:00 хв 200 г — 15:00 хв 300 г — 18:00 хв 400 г — 21:00 хв 500 г — 24:00 хв

АВТОМАТИЧНЕ РОЗМОРОЖУВАННЯ

У режимі автоматичного розморожування можна розморозити продукти з урахуванням їхньої маси. Час і рівень потужності під час розморожування встановлюються автоматично відповідно до введеної маси продуктів. Маса заморожених продуктів може становити від 100 г до 1800 г.

1. Коли піч перебуває в режимі очікування, натисніть кнопку **AUTO DEFROST (АВТОМАТИЧНЕ РОЗМОРОЖУВАННЯ)**.
2. Обертаючи **ПОВОРОТНУ РУЧКУ**, виберіть масу розморожуваних продуктів.
3. Натисніть кнопку **START/QUICK START (СТАРТ/ШВИДКИЙ СТАРТ)**, щоб розпочалося розморожування.
4. Коли під час циклу розморожування піч зупиниться, переверніть продукти, щоб вони розморозувались однорідно, і натисніть кнопку **START/QUICK START (СТАРТ/ШВИДКИЙ СТАРТ)** щоб вони розморозились до кінця.
5. Після закінчення циклу розморожування на дисплеї з'являється напис "**End**" (Кінець), а кожні 2 хвилини подається звуковий сигнал, аж поки не буде відчинено дверцята або натиснуто будь-яку кнопку.

Режим роботи під час автоматичного розморожування

Модель	Діапазон ваги	Діапазон часу розморожування	Режим роботи під час розморожування	Порядок дій
YC-PG204A	100 – 1800 г	5,5 – 39,5 хвилин	Увімкніть піч на 1/3 часу на 40% потужності, потім ще на 1/3 часу на 20% потужності. Після перевертання за призначеним сигналом решту часу розморожування здійснюється з потужністю 20%.	1. Покладіть заморожені продукти на тарілку, придатну для використання в мікрохвильовій печі, і накрийте її харчовою плівкою; проколите плівку. 2. Поставте тарілку посередині скляного поворотного стола мікрохвильової печі. 3. Зачиніть дверцята, натисніть кнопку AUTO DEFROST (АВТОМАТИЧНЕ РОЗМОРОЖУВАННЯ) і виберіть вагу, повернувши ПОВОРОТНУ РУЧКУ . 4. Натисніть кнопку START/QUICK START (СТАРТ/ШВИДКИЙ СТАРТ) , щоб почати розморожування продуктів.
YC-PS234A і YC-PG234A	100 – 1800 г	5,5 – 39,5 хвилин	Мікрохвильова обробка з потужністю 20% протягом половини часу, прохання перевернути продукти, далі мікрохвильова обробка з потужністю 20% до закінчення призначеного часу.	5. У певний момент циклу розморожування піч зупиниться і подасть звуковий сигнал, щоб можна було перевернути продукти.
YC-PS254A, YC-PG254A і YC-PG284A	100 – 1800 г	3 – 37 хвилин	Увімкніть піч на 1/3 часу на 30% потужності, потім ще на 1/3 часу на 20% потужності. Після перевертання за призначеним сигналом решту часу розморожування здійснюється з потужністю 20%.	6. Відчиніть дверцята і переверніть чи перемістіть продукти. Зачиніть дверцята. 7. Натисніть кнопку СТАРТ/ШВИДКИЙ СТАРТ , щоб продовжити розморожування. 8. Коли зупиниться таймер, заберіть продукти з печі. Перевірте, чи добре вони розморозилися.

АВТОМАТИЧНЕ РОЗІГРІВАННЯ*

У печі можна розігріти продукти з урахуванням введеної користувачем ваги.

Час і рівень потужності під час розігрівання встановлюються автоматично відповідно до введеної маси продуктів. Маса продуктів, що розігріваються, може становити від 100 г до 800 г.

1. Коли піч перебуває в режимі очікування, натисніть кнопку **AUTO REHEAT (АВТОМАТИЧНЕ РОЗІГРІВАННЯ)**.
2. Обертаючи **ПОВОРОТНУ РУЧКУ**, виберіть масу продуктів, які потрібно розігріти.
3. Натисніть кнопку **START/QUICK START (СТАРТ/ШВИДКИЙ СТАРТ)**.
4. Після закінчення циклу приготування на дисплеї з'являється напис "End" (Кінець), а кожні дві хвилини подається звуковий сигнал, аж поки не буде відчинено дверцята або натиснуто будь-яку кнопку.

* - Тільки для моделей із грилем.

КУХОННИЙ ТАЙМЕР

У пристрої передбачено кухонний таймер, який веде зворотний відрахунок від встановленого часу.

1. Коли піч перебуває в режимі очікування, натисніть один раз кнопку **TIME/SET CLOCK (ГОДИННИК/ТАЙМЕР)**.
2. Обертаючи **ПОВОРОТНУ РУЧКУ**, встановіть потрібний час. Максимально можливий час складає 95 хвилин.
3. Для підтвердження натисніть кнопку **START/QUICK START (СТАРТ/ШВИДКИЙ СТАРТ)**.
4. На дисплеї буде відобразитися зворотний відлік встановленого часу.
5. Коли відлік дійде до нуля, прилад подасть звуковий сигнал.

Кухонним таймером можна користуватись і під час приготування. Для цього виконайте описані вище дії з приготування їжі. Після ввімкнення кухонний таймер відображається на дисплеї на п'ять секунд, після чого поновлюється відображення таймера зворотного відліку циклу приготування. Щоб переглянути ще раз значення кухонного таймера, натисніть один раз кнопку **TIME/SET CLOCK (ГОДИННИК/ТАЙМЕР)**. Це значення з'явиться на дисплеї на п'ять секунд, після чого поновиться відображення таймера зворотного відліку циклу приготування

- Щоб скасувати програму **ТАЙМЕРА**, натисніть кнопку **STOP/ECO (СТОП/ЕКО)**. На дисплеї буде відображено час.
- Якщо запущено цикл приготування, для запуску кухонного таймера слід виконати описані вище дії.

ФУНКЦІЯ ЗАОЩАДЖЕННЯ ЕЛЕКТРОЕНЕРГІЇ

Ця функція дозволяє заощаджувати електроенергію, коли піч не використовується. Щоб увімкнути цю функцію, натисніть і утримуйте кнопку **STOP/ECO (СТОП/ЕКО)** протягом 3 секунд. Дисплей вимкнеться, і піч перейде в режим заощадження електроенергії.

Щоб припинити дію режиму заощадження електроенергії, натисніть будь-яку кнопку або відчиніть і зачиніть дверцята печі.

ФУНКЦІЯ ВИМКНЕННЯ ЗВУКУ

Якщо потрібно вимкнути звукові сигнали, які подає піч, слід встановити функцію вимкнення звуку. Для цього потрібно однократно натиснути кнопку **CHILD LOCK (ЗАХИСТ ВІД ДІТЕЙ)**. На дисплеї на 5 секунд з'явиться напис: **"OFF"** (ВИМК.). У режимі вимкнення звуку натискання кнопок не супроводжується звуковими сигналами. Щоб вимкнути функцію вимкнення звуку, натисніть один раз кнопку **CHILD LOCK (ЗАХИСТ ВІД ДІТЕЙ)**, на дисплеї протягом 5 секунд відобразиться **"ON"** (УВИМК.), що означає, що звук знову ввімкнено. Якщо під час дії функції вимкнення звуку відбудеться вимкнення електроенергії, після відновлення електропостачання ця функція не діятиме.

ЗАХИСНЕ БЛОКУВАННЯ

Це автоматична функція, призначена для запобігання використанню печі дітьми без нагляду. Коли піч перебуває в режимі очікування і протягом однієї хвилини не виконується жодних дій, вона автоматично переходить у режим захисного блокування. У цьому режимі світиться індикатор **"Loc"**, а у разі натискання кнопок піч не виконує ніяких функцій. У разі натискання будь-якої кнопки на дисплеї на 5 секунд з'являється індикатор блокування, що нагадує користувачу про необхідність скасувати захисне блокування. Щоб вимкнути захисне блокування, слід просто відчинити дверцята мікрохвильової печі. Тоді клавіатура знову почне працювати, а індикатор блокування на дисплеї згасне.

ФУНКЦІЯ ЗАХИСТУ ВІД ДІТЕЙ:

Щоб увімкнути ФУНКЦІЮ ЗАХИСТУ ВІД ДІТЕЙ, натисніть і утримуйте кнопку **CHILD LOCK (ЗАХИСТ ВІД ДІТЕЙ)** протягом 3 секунд аж до тривалого звукового сигналу. На дисплеї з'явиться напис **"Loc"**. Це означатиме, що мікрохвильова піч перейшла в режим захисту від дітей. У цьому режимі на дисплеї відображається поточний час, а якщо буде натиснуто будь-яку кнопку чи відкрито дверцята, протягом 5 секунд відобразатиметься напис **"Loc"**.

Щоб скасувати захист від дітей, натисніть і утримуйте кнопку **CHILD LOCK (ЗАХИСТ ВІД ДІТЕЙ)** протягом 3 секунд аж до тривалого звукового сигналу.

ЧИЩЕННЯ ТА ДОГЛЯД

- Перед чищенням вимкніть піч та вийміть із розетки вилку живлення.
- Підтримуйте чистоту внутрішніх поверхонь. Якщо на бічні стінки, верхню кришку чи на днище печі налипли бризки чи проліті рідини, витирайте їх вологою тканиною. Якщо піч дуже брудна, її можна чистити з використанням нейтральних мийних засобів. Не користуйтеся аерозолями чи іншими агресивними засобами для чищення. Вони можуть призводити до утворення іржі, патьоків чи втрати блиску поверхні дверцят.
- Зовнішню поверхню печі слід очищувати вологою тканиною. Щоб не пошкодити робочі деталі всередині печі, не допускайте потрапляння води в вентиляційні отвори.
- Регулярно протирайте вологою тканиною з обох сторін дверцята і вікно, ущільнення дверцят і суміжні деталі, щоб на них не було патьоків чи крапель.
- Не користуйтеся абразивними засобами для чищення.
- Не користуйтеся пароочищувачем.
- Не допускайте намокання панелі керування. Очищуйте її вологою м'якою тканиною. Очищуючи панель керування, тримайте дверцята відчиненими, щоб піч випадково не ввімкнулася.
- Якщо всередині чи навколо дверцят утвориться конденсат, витріть його м'якою тканиною. Таке може траплятися, коли піч працює за високої вологості. Це не є ознакою несправності.
- Поворотний столик слід регулярно чистити, щоб на ньому не накопичувався бруд. На скупченнях бруду можуть утворюватись дугові розряди, і це може призвести до виходу печі з ладу. Їх слід просто витерти, використовуючи нейтральний мийний засіб.
- Щоб усунути з печі небажані запахи, налейте у придатну для використання в мікрохвильовій печі миску чашку води, вилити в неї сік і покласти шкірку з одного лимона. Увімкніть мікрохвильову піч на 5 хвилин, після чого очистьте її стінки від забруднень і витріть насухо.
- У разі виходу з ладу лампочки слід звернутись у службу обслуговування споживачів.
- Піч слід регулярно чистити, усуваючи з неї залишки продуктів. Недотримання вказівок щодо регулярного чищення печі може спричинити пошкодження її поверхонь, що значно впливає на термін експлуатації приладу й може стати причиною виникнення небезпечних ситуацій.
- Не викидайте прилад у контейнер для побутового сміття — дотримуйтесь правил утилізації таких виробів, які діють у вашій країні.

ПОСУД, ПРИДАТНИЙ ДЛЯ ВИКОРИСТАННЯ В ПЕЧІ

1. Ідеальний посуд для використання у мікрохвильовій печі — це посуд, прозорий для мікрохвильової енергії: крізь нього мікрохвилі проходять і нагрівають продукти.
2. Мікрохвилі не проходять крізь метал, тому металевий посуд і тарілки з металевим покриттям використовувати не слід.
3. Не використовуйте для приготування у мікрохвильовій печі паперові вироби зі вторсировини: вони можуть містити маленькі частинки металу, які можуть призводити до виникнення іскор чи займання.
4. Рекомендується використовувати круглий чи овальний, а не квадратний чи прямокутний посуд, адже їжа, розташована в кутах, може перегріватися.
5. Для запобігання перегріванню відкритих ділянок можна користуватися вузькими смужками алюмінієвої фольги. Однак будьте обережні: не допускайте, щоб відстань між фольгою і стінками камери була менше ніж 2,54 см.

Нижче подано загальні засади вибору посуду для використання у печі.

Посуд	Безпечний для мікрохвильового режиму	Гриль	Примітка
Блюда для обсмажування	✓ / ✗	✗	Завжди дотримуйтесь інструкцій виробників. Не перевищуйте наведений час приготування. Будьте дуже обережні - ці блюда нагріваються до надзвичайно високих температур.
Порцеляна та кераміка	✓ / ✗	✗	Порцеляновий, глиняний, глазурований керамічний посуд, а також посуд з твердої англійської порцеляни зазвичай є придатним, за винятком посуду з металевим оздобленням.
Жаростійке скло	✓	✓	Слід уважно перевіряти, чи конкретний посуд зі скла придатний для використання в мікрохвильовій печі.
Не жаростійке скло	✗	✗	
Жаростійка кераміка	✓	✓	Переконайтесь у тому, що матеріал посуду не надто грубий і чи не забагато у ньому мінеральних речовин.
Пластикові блюда, придатні для використання у мікрохвильових печах	✓	✗	Завжди перевіряйте, чи придатний пластиковий посуд для використання у мікрохвильових печах.
Кухонний папір	✓ / ✗	✗	Використовуйте лише кухонний папір, рекомендований для використання у мікрохвильових печах.
Скляний посуд, наприклад Pyrex®	✓ / ✗	✓	Використовуючи посуд з тонкого скла, будьте дуже обережні, адже в разі раптового нагрівання він може тріснути чи розбитися.
Металевий піддон	✗	✓	Не рекомендується використовувати металевий посуд, адже дугові розряди, що утворюються під впливом мікрохвильової енергії, можуть стати причиною займання.
Металева решітка	✗	✓	Не рекомендується використовувати металевий посуд, адже дугові розряди, що утворюються під впливом мікрохвильової енергії, можуть стати причиною займання.
Алюмінієва фольга Ємності з фольги	✓ / ✗	✓	Невеличкі шматки алюмінієвої фольги можна використовувати для запобігання перегріванню їжі. Не допускайте, щоб фольга наближалася до стінок печі ближче ніж на 2,54 см, інакше можливе утворення дуги. Не рекомендується застосовувати посуд з фольги, якщо це не рекомендується виробником, наприклад, Microfoil®. Ретельно дотримуйтесь інструкцій.
Харчова плівка	✓	✗	Не повинна торкатися їжі. Необхідно проколювати, щоб дати можливість парі виходити назовні.
Пластик чи полістирол, наприклад, тара з їжею швидкого приготування	✓	✗	Слід використовувати дуже обережно, адже під впливом високих температур деяка тара може деформуватися, розплавитися чи втратити колір.
Пакекти для заморожування чи рукави для запікання	✓	✗	Необхідно проколювати, щоб дати можливість парі виходити назовні. Перевірте, чи придатні пакекти для використання в мікрохвильових печах.
Паперові тарілки/чашки й кухонний папір	✓	✗	Не користуйтеся пластиковими чи металевими зав'язками - вони можуть розплавитися чи загорітися через дуговий розряд на металі.
Плетений та дерев'яний посуд	✓	✗	Використовувати тільки для підігрівання чи всмоктування вологи. Увага: може зайнятися в разі перегрівання.
Перероблений папір та газети	✗	✗	Використовуючи ці матеріали, завжди будьте поруч, оскільки їх перегрівання може спричинити займання. Можуть містити частинки металу, дуговий розряд на яких може спричинити займання.



УВАГА! Під час підігрівання їжі у пластикових чи вимити водою з милом паперових контейнерах наглядуйте за піччю, щоб уникнути можливості займання.

ПРИМІТКА: Не залишайте піч, що працює, без нагляду.

РЕКОМЕНДАЦІЙ ЩОДО ГОТУВАННЯ ЗА ДОПОМОГОЮ МІКРОХВИЛЬОВОЇ ЕНЕРГІЇ

Приготування у мікрохвильових печах займає набагато менше часу, ніж традиційне. Тому для досягнення найкращого результату необхідно користуватися певними прийомами. Багато які з цих прийомів подібні до тих, що використовуються під час готування їжі традиційним способом.



УВАГА! Не підігрівайте рідину та їжу в запечатаних контейнерах або в банках/контейнерах, накритих кришками, оскільки тиск, що виникає всередині, може призвести до їхнього вибуху.

РЕКОМЕНДАЦІЙ ЩОДО ПРИГОТУВАННЯ:

- Використовуючи піч, завжди знаходьтеся поруч.
- Користуйтеся лише придатним до використання у мікрохвильових печах посудом.
- Готуючи попкорн, обирайте той, що призначений для приготування у мікрохвильових печах, керуючись рекомендаціями на упаковці (дотримуйтеся інструкцій виробника). Не додавайте олію, якщо це не є необхідним згідно інструкцій виробника, й не перевищуйте встановлений час приготування.



УВАГА! Встановлення часу приготування, що перевищує рекомендований, або занадто високого рівня потужності може призвести до перегрівання, підгоряння їжі, а в деяких випадках й до виникнення пожежі й пошкодження печі.

Розміщення

Розміщуйте їжу таким чином, щоб найтовстіші частини, наприклад курячі гомілки, розміщувалися на зовнішньому краї посуду.

Продукти, розташовані на зовнішньому краї посуду, отримують більше мікрохвильової енергії, тож готуються швидше за ті, що розташовані в центрі.

Накривання

Деякі страви під час готування у мікрохвильовій печі краще накривати.

Накривайте їх плівкою з отворами чи відповідною кришкою.

Проколювання

Перед приготуванням або розігріванням продуктів в шкурці, шкаралупі або оболонці рекомендується проколювати їх в декількох місцях, оскільки пара, що утворюється всередині може призвести до вибуху. Це стосується, наприклад, картоплі, риби, курки, сосисок.

ПРИМІТКА. Не розігрівайте в мікрохвильовій печі яйця, адже вони можуть вибухнути навіть по закінченні приготування. Це стосується, наприклад, яєць пашот, круто зварених яєць чи яєчні.

Перемішування, перевертання й зміна розташування

Для отримання рівномірного результату рекомендується перемішувати, перевертати страви під час приготування, а також змінювати їх розташування. Перемішуйте та перекладайте страви, рухаючись від зовнішнього краю до центру.

Очікування

Після приготування страва має трохи постояти, щоб у ній рівномірно розподілилося тепло.

Властивості продуктів	
Склад	Розігрівання страв з високим вмістом жиру або цукру (наприклад, різдвяний пудинг, пироги з м'ясом) займає менше часу. Необхідно вжити заходів безпеки, адже перегрівання може спричинити займання. Кістки проводять тепло, завдяки чому страва готується швидше. Уважно слідкуйте за процесом підігрівання, щоб досягти рівномірного приготування їжі.
Консистенція	Консистенція продуктів впливає на час їхнього приготування. Продукти легкої, пористої структури, наприклад тістечка або хліб, готуються швидше від товстих і щільних, наприклад смаженого м'яса чи запіканки.
Кількість	Кількість мікрохвиль у Вашій печі лишається незмінним незалежно від того, скільки їжі Ви готуєте. Час приготування має збільшуватися відповідно до збільшення кількості продуктів. Наприклад, чотири картоплини готуватимуться довше, ніж дві.
Розмір	Продукти невеликого розміру або маленькі шматочки готуються швидше за великі, оскільки мікрохвилі можуть проникати в них з усіх сторін. Для рівномірного приготування намагайтеся робити шматки однакового розміру.
Форма	Товстіші частини продуктів неправильної форми, наприклад, курячих грудок або ніжок, готуються довше. Для рівномірного приготування розміщуйте їх товстими частинами назовні від центру посуду, щоб вони отримували більше енергії. У мікрохвильовій печі продукти круглої форми готуються швидше за квадратні.
Температура їжі	Початкова температура їжі впливає на час її приготування. Охолоджені продукти готуються довше за продукти кімнатної температури. Температура ємності не є показником реальної температури страви чи напою. Розрізуйте продукти з начинкою, наприклад, пончики з джемом, щоб випустити жар або пару.



УВАГА! Обличчя та руки: Виймаючи страву або посуд з печі, завжди надівайте товсті рукавички. Відчиняючи дверцята, відходьте назад, щоб дати можливість жару або парі розсіятися. Знімаючи обгортки (наприклад, харчову плівку), відкриваючи рукави для запікання або упаковки з попкорном, беріть руки та обличчя під прямої дії пари.



УВАГА! Перш ніж подавати страву чи напої, перевіряйте їхню температуру та перемішуйте їх. Особливу увагу приділяйте стравам, що призначені для немовлят, дітей або людей похилого віку. Щоб уникнути опіків перед вживанням, перемішуйте чи збовтуйте вміст пляшечок й баночок з дитячим харчуванням й перевіряйте його температуру.

РЕКОМЕНДАЦІЇ ЩОДО РОЗМОРОЖУВАННЯ

У мікрохвильовій печі продукти розморозжуються швидше, ніж будь-яким іншим способом. Це проста процедура, але для забезпечення рівномірного розморозжування необхідно виконувати наступні інструкції.

- Перед розморозжуванням зніміть упаковки й обгортки.
- Для розморозжування їжі обирайте рівень потужності P-20 або P-40.
- Див. інформацію, подану нижче.

Зміна розташування

Продукти, розташовані ближче до країв посуду, розморозжуються швидше, ніж ті, що знаходяться у центрі. Тому під час розморозжування слід змінити розташування продуктів до 4 разів.

Пересуньте щільно запаковані продукти ближче до центру й змініть розташування ділянок, що накладаються одна на одну.

Це забезпечить рівномірне розморозжування усіх частин їжі.

Розділення

У морозилці продукти можуть склеїтися. Під час розморозжування слід розділити їх якомога раніше.

Це стосується, наприклад, скибочок бекону, курячого філе.

Накривання

Під час розморозжування деякі ділянки можуть нагріватися. Щоб ці ділянки не перегрілися й не почали готуватися, накрийте їх невеличкими шматочками фольги, що відбиває мікрохвилі. Це стосується, наприклад, курячих ніжок або крилець.

Очікування

Очікування протягом певного часу забезпечує належне розморозжування продуктів.

Процес розморозжування не завершується відразу після виймання страви з мікрохвильової печі. Для повного розморозжування в центрі страва має деякий час постояти накритою.

Перевертання

Під час розморозжування кожний продукт слід перевернути щонайменше 4 рази.

Це необхідно для повного розморозжування.

РЕКОМЕНДАЦІЇ ЩОДО ПОВТОРНОГО РОЗІГРІВАННЯ

Для повторного розігрівання їжі дотримуйтеся наступних рекомендацій, щоб забезпечити належне розігрівання страви перед подаванням.

Страви, готові до подавання

Приберіть шматки птиці або м'яса, розігрійте їх окремо, див. нижче.

Покладіть невеличкі шматочки їжі у центрі тарілки, а більші й товстіші ближче до країв. Накрийте харчовою плівкою з отворами, придатною для використання у мікрохвильовій печі, й розігрійте, встановивши рівень потужності P-50, по закінченні половини часу розігрівання перемішайте/змінити розташування.

ПРИМІТКА: Перш ніж подавати страву, переконайтесь у тому, що вона нагрілася до належної температури.

Нарізане м'ясо

Накрийте харчовою плівкою з отворами, придатною для використання у мікрохвильовій печі, й розігрійте, встановивши рівень потужності P-60. Змініть розташування шматків щонайменше один раз, щоб забезпечити рівномірне розігрівання.

ПРИМІТКА: Перш ніж подавати м'ясо, переконайтесь у тому, що воно нагрілося до належної температури.

Порціонні шматки птиці

Розташуйте товстими частинами шматків назовні від центру блюда, Накрийте харчовою плівкою з отворами, придатною для використання у мікрохвильовій печі, й розігрійте, встановивши рівень потужності P-70.

Переверніть по закінченні половини часу розігрівання

ПРИМІТКА: Перш ніж подавати птицю, переконайтесь у тому, що вона нагрілася до належної температури.

Запіканки

Накрийте харчовою плівкою з отворами, придатною для використання у мікрохвильовій печі, або кришкою й розігрійте, встановивши рівень потужності P-50.

Регулярно перемішуйте, щоб забезпечити рівномірне розігрівання.

ПРИМІТКА: Перш ніж подавати страву, переконайтесь у тому, що вона нагрілася до належної температури.

Для досягнення найкращого результату під час повторного розігрівання обирайте належний рівень потужності мікрохвильової енергії, що відповідає типу страви. Наприклад, миску овочів можна розігріти за потужності P-100, а лазанья, що містить інгредієнти, які не можна перемішувати, розігрівається за потужності P-40.

ПРИМІТКИ:

- Перед розігріванням вийміть продукти з металевих контейнерів або контейнерів з фольги.
- Час повторного розігрівання залежить від форми, товщини, кількості та температури страви, а також від розміру, форми та матеріалу контейнера.



УВАГА! Ніколи не підігрівайте рідину у тарі з вузьким горлечком, наприклад у дитячих пляшечках, оскільки це може привести до виверження вмісту після підігрівання й стати причиною опіків.

- Вживання особливих заходів безпеки під час приготування страв з високим вмістом цукру або жиру, наприклад, пирогів з м'ясом або рідвяного пудингу, дозволяє запобігти перегріву та займанню.
- Не використовуйте піч для підігрівання олії для глибокого просмажування. Це може призвести до перегрівання та займання.
- Не розігрівайте у мікрохвильовій печі консервовану картоплю. Дотримуйтеся вказівок виробника на банці.



УВАГА! Щоб уникнути опіків, перед вживанням перемішуйте або збовтуйте вміст пляшечок й баночок з дитячим харчуванням й перевіряйте його температуру.

ПОШУК І УСУНЕННЯ НЕСПРАВНОСТЕЙ

Якщо складається враження, що піч не працює належним чином, перед викликом інженера варто самотужки виконати кілька простих перевірок. Це допоможе запобігти зайвому зверненню до сервісної служби через прості несправності.

Виконайте просту перевірку:

Поставте на поворотний столик горняк води й зачиніть дверцята. Запрограмуйте піч на приготування протягом 1 хвилини на рівні потужності P-100.

1. Чи під час приготування світиться лампочка?
2. Чи працює вентилятор охолодження? (Щоб перевірити це, піднесіть руку над отворами випускання повітря.)
3. Чи прозвучав через 1 хвилину звуковий сигнал?
4. Чи вода в горняку гаряча?

Якщо ви дали негативну відповідь на будь-яке з цих запитань, перевірте, чи добре вставлено вилку в розетку й чи не згорів запобіжник. Якщо таким чином причину несправності знайти не вдалося, спробуйте знайти її, користуючись таблицею пошуку несправностей, яку подано далі.



УВАГА! Ні в якому разі не регулюйте, не ремонтуєте і не змінюйте конструкцію печі самотужки.

Особам, які не мають кваліфікації інженера й не навчені обслуговуванню побутової техніки SHARP, небезпечно виконувати таке обслуговування й ремонт. Це важливо, оскільки для таких робіт може знадобитися знімати захисні екрани, що запобігають витоку мікрохвильової енергії.

- Ущільнення дверцят запобігає витоку мікрохвильової енергії під час роботи печі, але не є герметичним. Навколо дверцят може бути видно краплі води, крізь шпарини в ущільненні може проникати світло чи тепле повітря. Продукти з високим вмістом вологи можуть випускати пару, яка конденсуватиметься всередині дверцят і крапатиме з печі.
- Ремонт і зміна конструкції: Не намагайтеся користуватись пічкою, якщо вона не працює належним чином.
- Кожух і доступ до лампи: Знімати з печі кожух заборонено. Це дуже небезпечно, оскільки під ним розташовано високовольтні деталі, доторкатись до яких смертельно небезпечно. Піч не має кришки доступу до лампи. У разі виходу лампи з ладу не намагайтеся замінити її самотужки, натомість зверніться в авторизований сервісний центр Sharp.

ТАБЛИЦЯ ПОШУКУ НЕСПРАВНОСТЕЙ

ЗАПИТАННЯ	ВІДПОВІДЬ
Навколо дверцят відчувається потік повітря.	Коли піч працює, всередині камери циркулює повітря. Дверцята не зачиняються герметично, тому крізь шпарину може проходити повітря.
У печі може утворюватись конденсат, який крапатиме з дверцят.	Зазвичай повітря в камері печі має нижчу температуру, ніж продукти, що готуються, тому пара, що утворюється під час приготування, конденсується на поверхнях із нижчою температурою. Кількість пари, що утворюється, залежить від вологовмісту продуктів, які готуються. У деяких продуктах, як-от у картоплі, досить багато вологи. Конденсат, який осідає всередині скла дверцят, випаровується протягом кількох годин.
Спалахи чи дугові електричні розряди в камері під час приготування.	Дугові розряди можуть відбуватися, коли під час приготування до камери наближається металевий предмет. Вони можуть дещо пошкодити поверхню камери, але більшої шкоди печі завдати не здатні.
Електродугові розряди на картоплі.	Обов'язково виколупуйте з картоплі всі "очка"; кладіть картоплю безпосередньо на поворотний стіл чи у термостійку відкриту тарілку чи подібний посуд.
Коли піч працює тільки з грилем, можна помітити, що нагрівальний елемент працює не весь час.	Так відбувається через те, що нагрівальний елемент гриля вмикається й вимикається, щоб підтримувати задану температуру в печі.
Коли гриль використовується в комбінованому режимі, нагрівальний елемент гриля не ввімкнений.	Під час приготування в комбінованому режимі (мікрохвильове нагрівання і гриль) ці два способи нагрівання використовуються по черзі. Мікрохвильове поле і гриль не працюють одночасно.
Після натискання кнопки START/QUICK START (СТАРТ/ШВИДКИЙ СТАРТ) піч не працює.	Перевірте, чи добре зачинено дверцята?
Піч готує надто повільно.	Перевірте, чи встановлено достатній рівень потужності?
Піч шумить.	Якщо під час використання мікрохвильової енергії чути дзиччання, це нормально.
Після закінчення приготування піч шумить або виглядає так, ніби продовжує працювати.	Після закінчення приготування вентилятор може працювати ще кілька хвилин, щоб охолодити піч. Це не є несправністю.
Зовнішній корпус гарячий.	Зовнішній корпус може нагріватися до високої температури. Не підпускайте до печі дітей.
Під час натискання кнопки на дисплеї відображається повідомлення «LoC» (Блокування).	Через 30 секунд піч переходить у режим блокування, в якому не реагує на натискання жодних кнопок. Відчиніть і зачиніть дверцята — тоді кнопки знову працюватимуть. Також перевірте, чи не перебуває прилад у режимі блокування.
На дисплеї відображається повідомлення «Fail» (Несправність), і піч щохвилини подає звуковий сигнал.	Таке трапляється, якщо кнопки на панелі керування натиснуто протягом більше ніж 1 хвилини. Вимкніть живлення печі на кілька хвилин, а тоді знов увімкніть її.
Піч подає звукові сигнали раз на 30 секунд.	Якщо приготування закінчилося, а дверцята не було відчинено, раз на 30 секунд піч подає звуковий сигнал. Щоб це припинилося, відчиніть і зачиніть дверцята.

ПЕРШ НІЖ ЗВЕРТАТИСЯ ПО ДОПОМОГУ

Перш ніж звертатися по обслуговування, перевірте кожну з наступних умов.

- Перевірте, чи надійно вставлено вилку. Якщо ні, вийміть вилку з розетки і надійно вставте її, зачекавши перед тим 10 секунд.
- Перевірте, чи не перегорів запобіжник або чи не спрацював автоматичний вимикач. Якщо вони в нормальному стані, перевірте за допомогою іншого електроприладу, чи є напруга в розетці.
- Перевірте, чи правильно налаштовано потужність і таймер.
- Перевірте, чи щільно зачинено дверцята і чи спрацював замок. Інакше мікрохвильова енергія не потраплятиме у піч.

ЯКЩО В РЕЗУЛЬТАТІ УСІХ ЦИХ ПЕРЕВІРОК ВИПРАВИТИ СИТУАЦІЮ НЕ ВДАЛОСЯ, ЗВЕРНІТЬСЯ ДО КВАЛІФІКОВАНОГО СПЕЦІАЛІСТА. НЕ НАМАГАЙТЕСЯ ВІДРЕМОНТУВАТИ ПІЧ САМОТУЖКИ.



Sharp Consumer Electronics Poland sp. z o.o.
Ostaszewo 57B, 87-148 Łysomice, Poland

SHARP CORPORATION

1 Takumi-cho, Sakai-ku
Sakai City, Osaka
590-8522, Japan

SDA/MAN/0228 V1

www.sharpconsumer.eu

SHARP