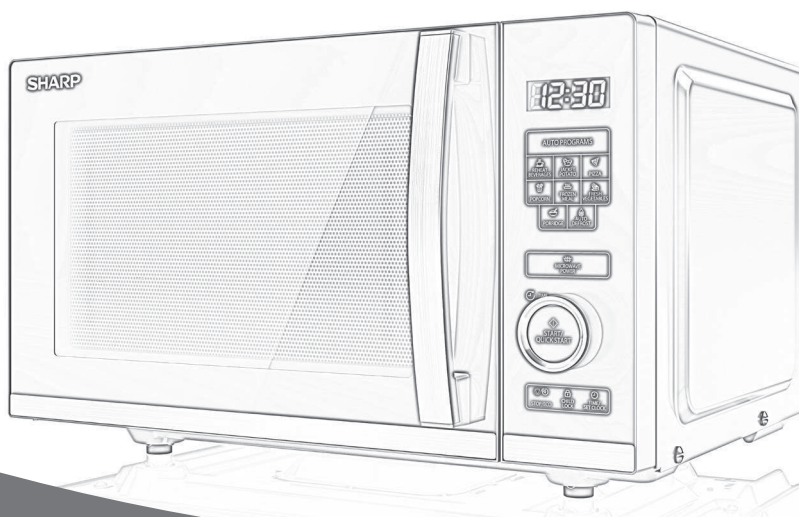


SHARP



User manual

YC-QS204A, YC-QS254A, YC-QG204A, YC-QG234A, YC-QG254A

Microwave oven

EN

DE

ES

PT

FR

PL

NL

IT

*Product images are for illustration purpose only. Actual product may vary.



Attention:

Your product is marked with this symbol. It means that used electrical and electronic products should not be mixed with general household waste. There is a separate collection system for these products.



www.sharpconsumer.com/contact/



www.sharpconsumer.com/support/



www.sharpconsumer.com/documents-of-conformity/

A. Information on Disposal for Users (private households)

1. In the European Union

Attention: If you want to dispose of this equipment, please do not use the ordinary dustbin!

Used electrical and electronic equipment must be treated separately and in accordance with legislation that requires proper treatment, recovery and recycling of used electrical and electronic equipment.

Following the implementation by member states, private households within the EU states may return their used electrical and electronic equipment to designated collection facilities free of charge*.

In some countries* your local retailer may also take back your old product free of charge if you purchase a similar new one.

*) Please contact your local authority for further details.

If your used electrical or electronic equipment has batteries or accumulators, please dispose of these separately beforehand according to local requirements. By disposing of this product correctly you will help ensure that the waste undergoes the necessary treatment, recovery and recycling and thus prevent potential negative effects on the environment and human health which could otherwise arise due to inappropriate waste handling.

2. In other Countries outside the EU

If you wish to discard this product, please contact your local authorities and ask for the correct method of disposal.

For Switzerland: Used electrical or electronic equipment can be returned free of charge to the dealer, even if you don't purchase a new product.

Further collection facilities are listed on the homepage of www.swico.ch or www.sens.ch.

B. Information on Disposal for Business Users

1. In the European Union

If the product is used for business purposes and you want to discard it: Please contact your SHARP dealer who will inform you about the take-back of the product. You might be charged for the costs arising from take-back and recycling. Small products (and small amounts) might be taken back by your local collection facilities.

For Spain: Please contact the established collection system or your local authority for take-back of your used products.

2. In other Countries outside the EU

If you wish to discard of this product, please contact your local authorities and ask for the correct method of disposal.

For service, please refer to www.sharpconsumer.com/contact/, for your warranty rights go to www.sharpconsumer.com/support/ or contact the retailer where you purchased your product.

Declarations of conformity are available from www.sharpconsumer.com/documents-of-conformity/

PRECAUTIONS TO AVOID POSSIBLE EXPOSURE TO MICROWAVE ENERGY

1. Do not attempt to operate this oven with the door open as this can result in harmful exposure to microwave energy. It is important not to defeat or tamper with the safety interlocks.
2. Do not insert anything between the oven front face and the door or allow debris or cleaner residue to accumulate on sealing surfaces.
3. Do not operate the oven if it is damaged. It is very important that the oven door closes properly and that there is no damage to the door, hinges, latches or door seals and sealing surfaces.
4. Do not attempt to repair or adjust the oven.

CONTENTS

IMPORTANT SAFETY INSTRUCTIONS.....	3
INSTALLATION.....	10
RADIO INTERFERENCE	11
GROUNDING (EARTHING) INSTRUCTIONS.....	11
SPECIFICATIONS.....	11
OVEN AND ACCESSORIES	12
CONTROL PANEL.....	13
BEFORE USING THE OVEN.....	14
SETTING THE CLOCK.....	14
MICROWAVE COOKING.....	15
QUICK START	16
GRILL COOKING*.....	16
MICROWAVE + GRILL*.....	16
AUTO MENU	17
AUTO DEFROST	18
AUTO REHEAT*.....	18
KITCHEN TIMER	18
POWER SAVING FUNCTION.....	18
MUTE FUNCTION	19
SAFETY LOCK	19
CHILD LOCK.....	19
CLEANING AND CARE	20
SUITABLE OVENWARE	21
MICROWAVE COOKING ADVICE.....	22
DEFROSTING ADVICE	24
REHEATING ADVICE	25
TROUBLESHOOTING	26
BEFORE CALLING FOR ASSISTANCE	27

* - Grill models only.

IMPORTANT SAFETY INSTRUCTIONS

READ CAREFULLY AND KEEP FOR FUTURE REFERENCE

To avoid the danger of fire. The microwave oven should not be left unattended during operation. Power levels that are too high, or cooking times that are too long, may overheat foods resulting in a fire.

This oven is designed to be used on a countertop only. It is not designed to be built into a kitchen unit. Do not place the oven in a cabinet. The electrical outlet must be readily accessible so that the unit can be unplugged easily in an emergency.

The AC power supply must be 230-240 V, 50 Hz, with a minimum 10 A distribution line fuse, or a minimum 10A distribution circuit breaker. A separate circuit serving only this appliance should be provided.

Do not place the oven in areas where heat is generated. For example, close to a conventional oven. Do not install the oven in an area of high humidity or where moisture may collect. Do not store or use the oven outdoors.

If smoke is observed, switch off or unplug the oven and keep the door closed in order to stifle any flames.

Use only microwave-safe containers and utensils. Utensils should be checked to ensure that they are suitable for use in microwave ovens.

When heating food in plastic or paper containers, keep an eye on the oven due to the possibility of ignition.

Clean the waveguide cover and the oven cavity. These must be dry and free from grease. Built up grease may overheat and begin to smoke or catch fire.

Do not place flammable materials near the oven or ventilation openings. Do not block the ventilation openings.

Remove all metallic seals, wire twists, etc., from food and food packages. Arcing on metallic surfaces may cause a fire.

Do not use the microwave oven to heat oil for deep frying. The temperature cannot be controlled and the oil may catch fire.

To make popcorn, use only special microwave popcorn makers.

Do not store food or any other items inside the oven.

Check the settings after you start the oven to ensure the oven is operating as desired.

Do not leave the oven unattended while it is operating.

To avoid overheating and fire, special care must be taken when cooking or reheating foods with a high sugar or fat content, for example, Sausage rolls, Pies or Christmas pudding. See the corresponding hints in the user manual.

To avoid the possibility of injury. WARNING:

Do not operate the oven if it is damaged or malfunctioning. Check the following before use:

- a) Make sure the door closes properly and ensure it is not misaligned or warped.
- b) Check to make sure the hinges and safety door latches are not broken or loose.
- c) Ensure that the door seals and sealing surfaces have not been damaged.
- d) Make sure inside the oven cavity or on the door are no dents.
- e) Ensure that the power supply cord and plug are not damaged.

If the door or door seals are damaged, the oven must not be operated until it has been repaired by a competent person.

Never adjust, repair or modify the oven yourself. It is hazardous for anyone other than a competent person to carry out any service or repair operation which involves

the removal of a cover which gives protection against exposure to microwave energy.

Do not operate the oven with the door open or alter the door safety latches in any way. Do not operate the oven if there is an object between the door seals and sealing surfaces.

Do not allow grease or dirt to build up on the door seals and adjacent parts. Clean the oven at regular intervals and remove any food deposits.

Follow the instructions for “Care and Cleaning”. Failure to maintain the oven in a clean condition could lead to a deterioration of the surface that could adversely affect the life of the appliance and possibly result in a hazardous situation.

Individuals with PACEMAKERS should check with their doctor or the manufacturer of the pacemaker for precautions regarding microwave ovens.

To avoid the possibility of electric shock.

- Under no circumstances should you remove the outer cabinet.
- Never spill or insert any objects into the door lock openings or ventilation openings. In the event of a spill, turn off and unplug the oven immediately, and call an authorised SHARP service agent.
- Do not immerse the power supply cord or plug in water or any other liquid.
- Do not let the power supply cord hang over the edge of a table or work surface.
- Keep the power supply cord away from heated surfaces, including the rear of the oven.
- Keep the appliance and its cord out of reach of children less than 8 years.
- Do not attempt to replace the oven lamp yourself or allow

anyone who is not an electrician authorised by SHARP to do so. If the oven lamp fails, please consult your dealer or an authorised SHARP service agent.

- If the power supply cord is damaged, it must be replaced by an authorised SHARP service agent.

WARNING: Liquids and other foods must not be heated in sealed containers since they are liable to explode. Microwave heating of beverages can result in delayed eruptive boiling; therefore, care must be taken when handling the container. To avoid the possibility of explosion and sudden boiling:

Never use sealed containers. Remove seals and lids before use. Sealed containers can explode due to a build-up of pressure even after the oven has been turned off. Take care when microwaving liquids. Use a wide mouthed container to allow bubbles to escape.

Never heat liquids in narrow necked containers such as baby bottles, as this may result in the contents erupting from the container when heated and cause burns.

To prevent sudden eruption of boiling liquid and possible scalding:

1. Do not use excessive amount of time.
2. Stir liquid prior to heating/reheating.
3. It is advisable to insert a glass rod or similar (not metal) into the liquid whilst reheating.
4. Let liquid stand for at least 20 seconds in the oven at the end of cooking time to prevent delayed eruptive boiling.

Do not cook eggs in their shells, and whole hard-boiled eggs should not be heated in microwave ovens since they may explode even after microwave cooking has ended. To cook or reheat eggs which have not been scrambled or

mixed, pierce the yolks and the whites. Shell and slice hard boiled eggs before reheating them in the microwave oven.

Pierce the skin of such foods as potatoes, sausages and fruit before cooking, or they may explode.

WARNING: The contents of feeding bottles and baby food jars must be stirred or shaken and the temperature checked before consumption, in order to avoid burns. Use pot holders or oven gloves when removing food from the oven to prevent burns. To avoid the possibility of burns:

- Always open containers, popcorn makers, oven cooking bags, etc., away from the face and hands to avoid steam burns and eruption of boiling. To avoid burns, always test food temperature and stir before serving and pay special attention to the temperature of food and drink given to babies, children or the elderly. Accessible parts may become hot during use. Young children should be kept away.
- Temperature of the container is not a true indication of the temperature of the food or drink; always check the food temperature.
- Always stand back from the oven door when opening it to avoid burns from escaping steam and heat.
- Slice stuffed baked foods after heating to release steam and avoid burns.
- Keep children away from the door to prevent them burning themselves.

WARNING: Only allow children aged from 8 years and above to use the oven without supervision when adequate instructions have been given so that the child is able to use the oven in a safe way and understands the hazards of improper use.

When the appliance is operated in the GRILL, MIX GRILL, CONVECTION, MIX CONVECTION and AUTO MENU mode

(mode applicable to model), children should only use the oven under adult supervision due to the temperature generated.

This appliance is not intended for use by persons (including children) with reduced physical, sensory or mental capabilities, or lack of experience and knowledge, unless they have been given supervision or instruction concerning use of the appliance by a person responsible for their safety.

Children should be supervised to ensure that they do not play with the appliance. Cleaning by children should be monitored.

Models with Electronic touch panel are enabled with a child lock mode.

Do not lean or swing on the oven door. Do not play with the oven or use it as a toy.

Children should be taught all important safety instructions: use of pot holders, careful removal of food coverings - paying special attention to packaging (e.g., self-heating materials) designed to make food crisp, as they may be extra hot.

Other warnings

Never modify the oven in any way.

Do not move the oven while it is in operation.

This appliance is intended to be used in household. This oven is for home food preparation and may only be used for cooking food and beverages. Drying of food or clothing and heating of warming pads, slippers, sponges, damp cloth and similar may lead to risk of injury, ignition or fire. It is not suitable for commercial or laboratory use.

To promote trouble-free use of your oven and avoid damage.

Never operate the oven when it is empty. When using a browning dish or self-heating material, always place a heat-resistant insulator such as a porcelain plate under it to prevent damage to the oven base due to heat stress. The preheating time specified in the dish's instructions must not be exceeded.

Do not use metal utensils, which reflect microwaves and may cause electrical arcing. Do not put cans in the oven.

To prevent the turntable or base of the oven breaking:

- a) Before cleaning with water, leave to cool.
- b) Do not put hot or cold foods or hot utensils on a cold turntable/oven base.
- c) Do not place anything on the outer cabinet during operation.

NOTE:

Do not use plastic containers for microwaving if the oven is still hot from using a combination mode (oven model dependant) because they may melt.

Plastic containers must not be used during above modes unless the container manufacturer says they are suitable.

If you are unsure how to connect your oven, please consult an authorised, qualified electrician.

Neither the manufacturer nor the dealer can accept any liability for damage to the oven or personal injury resulting from failure to observe the correct electrical connection procedure.

Water vapour or drops may occasionally form on the oven walls or around the door seals and sealing surfaces. This is a normal occurrence and is not an indication of microwave leakage or a malfunction.

This appliance is intended for use in household and similar applications such as; Kitchen areas reserved for staff in stores, offices and other professional environments / Farms

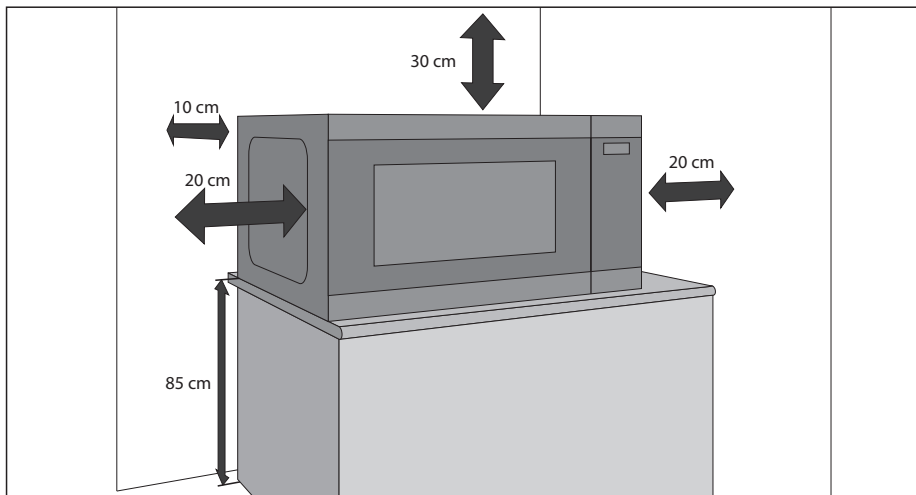
/ Use by clients of hotels, motels and other residential type environments / Bed and breakfast type environments.



This symbol means that the surfaces are liable to get hot during use.

INSTALLATION

1. Remove all packing materials from the inside of the oven cavity and remove any protective film found on the microwave oven cabinet surface.
 2. Check the oven carefully for any signs of damage.
 3. Place the oven on a secure, level surface, strong enough to take the oven weight, plus the heaviest item likely to be cooked in the oven. Do not place the oven in a cabinet.
 4. Select a level surface that provide enough open space for the intake and/or outlet vents. See picture on the first page. The rear surface of appliance can be placed against a wall.
- The minimum installation height is 85 cm.
 - A minimum space of 20 cm is required between the sides of the microwave oven and any adjacent walls or objects.
 - Leave a minimum space of 30 cm above the oven.
 - Do not remove the feet from the bottom of the oven.
 - Blocking the intake and/or outlet openings can damage the oven.
 - Place the oven as far away from radios and TV as possible. Operation of microwave oven may cause interference to your radio or TV reception.



5. Securely connect the plug of the oven to a standard earthed (grounded) household electrical outlet.

WARNING:

Do not place the oven where heat, moisture or high humidity are generated, (for example, near or above a conventional oven) or near combustible materials (for example, curtains).

Do not block or obstruct air vent openings.

Do not place objects on top of the oven.

Do not touch the exterior of the microwave oven during or shortly after operation as it will be hot.

RADIO INTERFERENCE

Operation of the microwave oven may cause interference to your radio, TV, or similar equipment. If there is interference, it may be reduced or eliminated by taking the following measures:

1. Clean the door and cavity where they meet.
2. Change the direction of the receiving antenna of the radio or television.
3. Relocate the microwave oven with respect to the receiver.
4. Plug the microwave oven into a different outlet so that microwave oven and receiver are not on the same mains feed.

GROUNDING (EARTHING) INSTRUCTIONS

This appliance must be grounded. This oven is equipped with a cord having a grounding wire with a grounding plug. It must be plugged into a wall socket that has been properly installed and grounded. In the event of an electrical short circuit, grounding reduces risk of electric shock by providing an escape wire for the electric current. It is recommended that a separate circuit serving only the oven be provided.



WARNING: Improper use of the grounding plug can result in a risk of electric shock.

NOTE:

1. If you have any questions about the grounding or electrical instructions, consult a qualified electrician or service person.
2. Neither the manufacturer nor the dealer can accept any liability for damage to the oven or personal injury resulting from failure to observe the electrical connection procedures.

The mains lead used in your microwave oven uses the following colour coded wires:

Green and Yellow = EARTH

Blue = NEUTRAL

Brown = LIVE

SPECIFICATIONS

Model name:	YC-QS204A	YC-QS254A	YC-QG204A	YC-QG234A	YC-QG254A	
AC Line Voltage	230~240 V, 50 Hz single phase					
Distribution line fuse/circuit breaker	10 A					
Power:	Microwave	800 W	900 W	800 W	900 W	900 W
	Grill			1000 W	1000 W	1000 W
	Energy Save Mode	>0.5 W	>0.5 W	>0.5 W	>0.5 W	>0.5 W
	AC Power required	1200 W	1400 W	1200 W	1400 W	1400 W
Microwave Frequency	2450 MHz*					
Outside Dimensions (W) x (H) x (D) mm	457 x 272 x 379	490 x 288 x 395	457 x 272 x 391	490 x 288 x 393	490 x 288 x 411	
Cavity Dimensions (W) x (H) x (D)** mm	315 x 180 x 328	340 x 197 x 338	315 x 180 x 328	340 x 197 x 338	340 x 197 x 340	
Oven Capacity	20 litres**	25 litres**	20 litres**	23 litres**	25 litres**	
Flatbed Dimensions (W) x (H) x (D) mm	262 x 262					
Grill Rack Size (W) x (D) mm			294 x 236	315 x 308	315 x 308	
Weight	approx. 11,7 kg	approx. 13,3 kg	approx. 12,4 kg	approx. 14,4 kg	approx. 14,6 kg	
Oven Bulb (LED type)	1,5 W					

* - This Product fulfils the requirement of the European standard EN55011. In conformity with this standard, this product is classified as group 2 class B equipment.

Group 2 means that the equipment intentionally generates radio-frequency energy in the form of electromagnetic radiation for the heat treatment of food.

Class B equipment means that the equipment is suitable to be used in domestic establishments.

** - Internal capacity is calculated by measuring maximum width, depth and height. Actual capacity for holding food is less.

AS PART OF A POLICY OF CONTINUOUS IMPROVEMENT, WE RESERVE THE RIGHT TO ALTER DESIGN AND SPECIFICATIONS WITHOUT NOTICE.

OVEN AND ACCESSORIES

1. Door safety lock system
2. Oven window
3. Jog dial and control buttons
4. Oven cavity
5. Flatbed, Keep this clean and free from food deposits
6. Grill Rack for YC-QG234A and YC-QG254A
7. Grill Rack for YC-QG204A
8. Ventilation openings
9. Outer cabinet
10. Power supply cord

Check to make sure the following accessories are provided:

Grill ovens only:

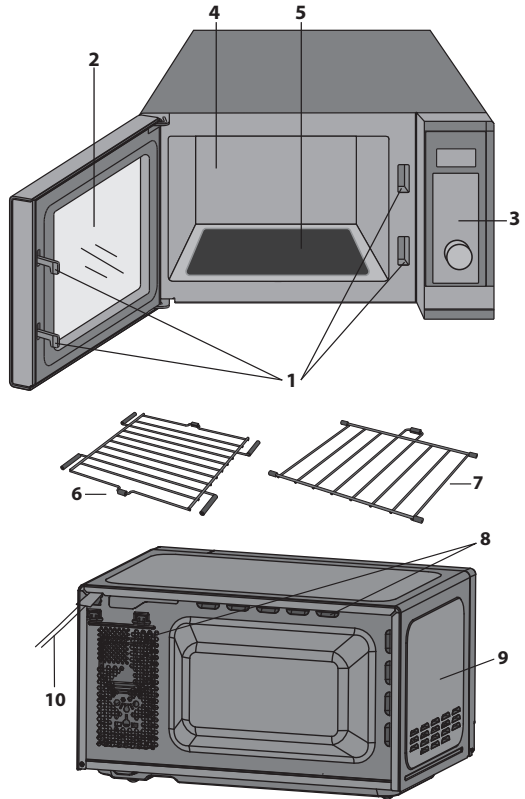
- **Grill Rack** – for use when cooking on the grill function only.
- The Grill Rack is designed for use with grill ovens only. DO NOT use the rack when using the microwave only function.
- For use of the Grill Rack refer to the GRILL sections of this User Manual.
- DO NOT remove the sleeves from the ends of the Grill Rack.


Never touch the grill when it is hot.

NOTE: When you order accessories, please mention two items: part name and model name.

NOTES:

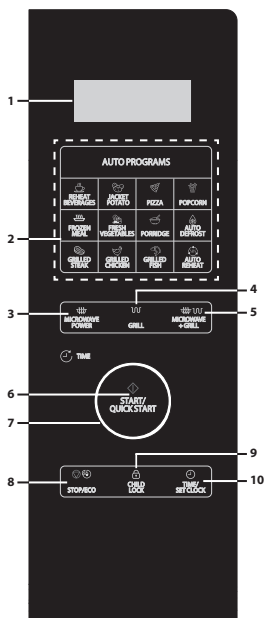
- After cooking fatty foods without a cover, always clean the cavity thoroughly, these must be dry and free from grease. Built-up grease may overheat and begin to smoke or catch fire.
- When microwaving, always place cookware on the oven baseplate.
- DO NOT use the Grill Rack on the microwave only function.



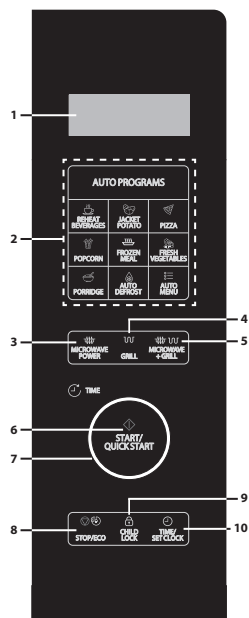
⚠ WARNING:  This symbol means that the surfaces are liable to get hot during use. The door, outer cabinet, oven cavity, accessories and dishes will become very hot during operation. To prevent burns, always use thick oven gloves.

CONTROL PANEL

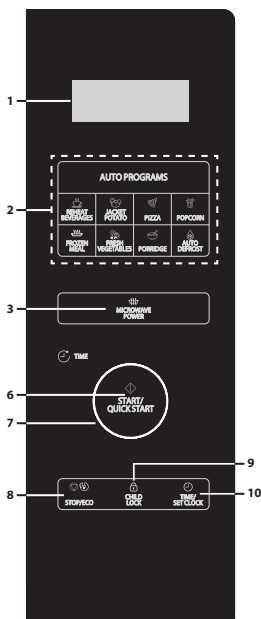
- DIGITAL DISPLAY** – Cooking time, power, indicators and clock time are displayed.
- AUTO MENU keys** – Press to select auto cooking menu. (Refer to page 17 for advice on use).
- MICROWAVE POWER** – Press to select microwave power level. (Page 15).
- GRILL** – Press to set grill cooking program. (Page 16).
- MICROWAVE+GRILL** – Press to set microwave and grill combination cooking program. (Page 16).
- START/QUICK START** – (Page 16).
- JOG DIAL** – Rotate clockwise or anticlockwise to set various functions.
- STOP/ECO** – Press once to temporarily stop cooking, or twice to cancel cooking altogether. Use to set power saving mode. (Page 18).
- CHILD LOCK** – (Page 19).
- TIME/SET CLOCK** – Use to set clock time. Use to set timer function. (Page 14).



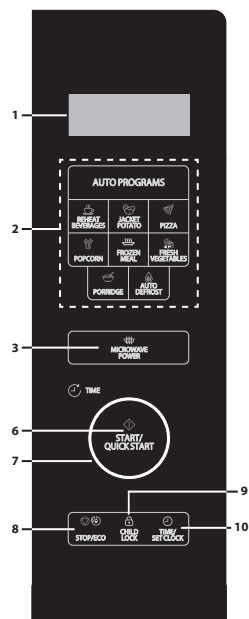
YC-QG234A, YC-QG254A



YC-QG204A



YC-QS254A



YC-QS204A

BEFORE USING THE OVEN

When the oven first plugged in, beep will sound and the display will show "1:00". Note that the clock does not have to be set for the oven to operate correctly. To set the clock, follow the instructions in the "**Setting the Clock**" section of this User Manual.

When new, the very first time the grill is used, smoke and odors will be given off. To avoid this happening when food is being cooked, use the grill function without food for approx. 20 minutes.

- After opening and closing the door, the oven will enter the standby mode. If no buttons are press within 1 minute, the display will remain on and the buttons will not operate. To enter standby mode again, open and close the door.
- During cooking, if the **STOP/ECO** button is pressed once, the cooking cycle will be paused. To restart cooking press the **START/QUICK START** button. If the **STOP/ECO** button is pressed twice, cooking will be canceled.
- When programming the oven for a particular function and there is a pause between button presses of more than 30 seconds the oven will return to the standby mode.
- When a cooking cycle is completed, the display will show "**End**" and a tone will be heard every two minutes until a button is pressed or the door is opened.

SETTING THE CLOCK

This oven has a clock which can be used in either 12- or 24-hour mode. To set the clock, follow the instructions as below:

1. In standby mode, press and hold **TIME/SET CLOCK** button for at least 3 seconds to enter the clock setting mode.
 2. Press the **TIME/SET CLOCK** button to select the 12- or 24-hour clock mode.
 3. Rotate the **JOG DIAL** to set the hour. Press the **TIME/SET CLOCK** button to store.
 4. Rotate the **JOG DIAL** to set the minutes. Press the **TIME/SET CLOCK** button to store and exit the clock setting mode.
- It is not necessary to set the clock for the oven to work normally.
 - While in the cook mode, press the **TIME/SET CLOCK** button to see the time of day (if set). The time of day will change back to the cooking count down after 5 seconds. Note that the time of day can not be viewed if the kitchen timer has been set.

MICROWAVE COOKING

To use the microwave function, follow the instructions given below:

1. In standby mode, press the **MICROWAVE POWER** button to select power level. Each time this button is pressed, the display will show the microwave power level.
2. Once the desired microwave power level has been selected, rotate the **JOG DIAL** to select the time to cook.
3. Press the **START/QUICK START** button to start cooking.
4. When the cooking cycle is completed, the display will show "End" and a tone will be heard every two minutes until a button is pressed or the door is opened.

Note that the table below is for guidance. Your oven has 10 microwave power levels. These are 10%, 20%, 30%, 40%, 50%, 60%, 70%, 80%, 90% and 100%. The actual wattage output can be calculated by multiplying the microwave power by the percentage.

Microwave Cooking Guide:

Display	Microwave Power	Suggested Use
P100	100%	Use this setting for fast cooking or reheating e.g., for casseroles, hot beverages, vegetables etc.
P-80	80%	For dense foods which require a long cooking time when cooked conventionally, e.g., beef dishes. It is advisable to use this power setting to ensure the meat will be tender.
P-60	60%	Used for longer cooking of dense foods such as roast joints, meat loaf and plated meals, also for sensitive dishes such as cheese sauce and sponge cakes.
P-40	40%	Defrost setting; select this power setting, to ensure that the dish defrosts evenly. This setting is also ideal for simmering rice, pasta, dumplings and cooking egg custard.
P-20	20%	For gentle defrosting, e.g., cream gateaux or pastry.

- During cooking you can check the cooking power level by pressing and holding the **MICROWAVE POWER** button.
- The longest cooking time is 95 minutes.

QUICK START

If you need to cook at 100% power level, just press the **START/QUICK START** button on the **JOG DIAL** while in the standby mode. Each time the **START/QUICK START** button is pressed, it will add 30 seconds to the cooking time.

GRILL COOKING*

The Grill heating element at the top of the oven cavity has one power setting only, it is efficient and economical. The grill is ideal for cooking bacon, gammon steak, fish fingers and tea cakes.

Use the Grill Rack for grilling small items of food such as bacon and sausages, turn over halfway through grilling. Food can be placed directly on the rack or placed in a flan dish or on a heat-resistant plate. To make sure that any fat or oil which can drip from the food being cooked, ensure that a suitable tray is placed below the Grill Rack.

When browning and crisping the surface of foods in a casserole dish, the Grill Rack can be used if the container is shallow enough. However, it is advisable to place such containers directly on the baseplate allow a little extra time to brown and crisp as desired.

To use the grill function, follow the instructions below:

1. In standby mode, press the **GRILL** button to select the grill function. The display will show "**Grill**".
2. Rotate the **JOG DIAL** to select the time to cook.
3. Press the **START/QUICK START** button to start cooking.
4. When the cooking cycle is completed, the display will show "**End**" and a tone will be heard every 2 minutes until a button is pressed or the door is opened.

* - Grill models only.

MICROWAVE + GRILL*

Using both the microwave and grill function it is possible to brown and cook the food quickly. To use the microwave and grill function, follow the instruction as below:

1. In standby mode, press **MICROWAVE + GRILL** pad once or twice to select "Co-1" or "Co-2".
2. Rotate the **JOG DIAL** to set cooking time.
3. Press **START/QUICK START** button to start.
4. When the cooking cycle is completed, the display will show "**End**" and a tone will be heard every two minutes until a button is pressed or the door is opened.

Microwave + Grill Function

Display	Output	Suggested Use
Co-1	70% grill / 30% microwave	Chicken Pieces, Chicken Breast, Pork Chops
Co-2	56% grill / 44% microwave	Whole Chicken

- Maximum cooking time with the grill is 95 minutes.
- During grilling allow smoke or smells to disperse by opening a window or switching on kitchen ventilation. This is normal and not a fault with the oven.
- During cooking you can check the current combination cooking power by touching **MICROWAVE + GRILL** button.
- When using the grill function, the grill will turn on and off at regular intervals to prevent overheating.
- When using the **MICROWAVE+GRILL** function, food can be placed in a suitable container directly on the baseplate of the oven or on the Grill Rack provided.

WARNING: The door, outer cabinet, oven cavity, accessories and dishes will become very hot during operation. To prevent burns, always use thick oven gloves.

* - Grill models only.

AUTO MENU

For convenience the Auto Programs allow food to be cooked quickly and efficiently with only a few button presses. It is not necessary to program the duration and the cooking power, all that is required is to press the required auto cook button, enter the weight/pieces by rotating the **JOG DIAL** and then press **START/QUICK START** button.

For example, to cook two jacket potatoes.

1. Open the door and place the food inside the oven using suitable ovenware for the cook cycle being used.
2. Close the door.
3. Press the **JACKET POTATO** button once.
4. Rotate the **JOG DIAL** to enter numbers of potatoes.
5. Press **START/QUICK START** button.
6. When the cooking cycle is completed, the display will show "End" and a tone will be heard every two minutes until a button is pressed or the door is opened.

Auto cook menus:

Auto Menu	Method to Select Weight or Pieces	Size/Weight	Auto Program
Frozen Meal	Select the weight by rotating the JOG DIAL control, then press the START/QUICK START button to begin cooking.	200 to 800g	-
Auto Defrost		100 to 1800g	-
Reheat Beverages	Select the number of cups by rotating the JOG DIAL control, then press the START/QUICK START button to begin cooking.	1 to 3 cups (200ml each)	-
Jacket Potato	Select the number of potatoes by rotating the JOG DIAL control, then press the START/QUICK START button to begin cooking.	1 to 3 potatoes (230g each)	-
Popcorn	Select the weight by rotating the JOG DIAL control, then press the START/QUICK START button to begin cooking.	100g increments	-
Fresh Vegetables		200 to 600g	-
Pizza		150g / 300g / 450g	-
Porridge		50 to 150g	-
Grilled Steak*		200 to 600g	A-1
Grilled Chicken*		200 to 600g	A-2
Auto Reheat*		200 to 800g	A-3
Grilled Fish*		100 to 500g	A-4

* - Grill models only.

- The result of auto cook depends on factors such as the shape and size of food, your personal preference as to the doneness of certain foods and how the food is placed in the oven. If the result of the cooking is not satisfactory, please adjust the cooking time to suit.

Note: The Auto Menu button is only used on the YC-QG204A model. Each time the Auto Menu button is pressed, the display will show the auto program as in the table above. When the desired auto menu is found, rotate the **JOG DIAL** control to select the weight of the food to be cooked.

AUTO DEFROST

Auto Defrost allows you to defrost food by weight. The defrosting time and power level are automatically set once the food category and the weight are programmed. The frozen food weight ranges from 100g to 1800g.

1. In the standby mode, press the **AUTO DEFROST** button.
2. Rotate the **JOG DIAL** control to select weight of food to be defrosted.
3. Press the **START/QUICK START** button to start the defrost cycle.
4. If oven stops during the defrosting cycle, turn the food over to ensure uniform defrosting and then press **START/QUICK START** to defrost for the remaining time.
5. When a defrost cycle is completed, the display will show "**End**" and a tone will be heard every two minutes until a button is pressed or the door is opened.

AUTO REHEAT*

The oven allows you to defrost food based on the weight entered by user. The defrosting time and power level are automatically set once the food category and the weight are programmed. The reheat weight ranges from 200g to 800g.

1. In standby mode, press the **AUTO REHEAT** button.
2. Rotate the **JOG DIAL** control to select weight of food to be reheated
3. Press **START/QUICK START**.
4. When the cooking cycle is completed, the display will show "**End**" and a tone will be heard every two minutes until a button is pressed or the door is opened.

* - Grill models only.

KITCHEN TIMER

The oven is equipped with a kitchen timer which will count down from the time set.

1. While in the standby mode, press **TIME/SET CLOCK** button once.
2. Turn **JOG DIAL** to set desired time. The longest time is 95 minutes.
3. Press **START/QUICK START** button to confirm.
4. Display will count down from the set time.
5. When the display reaches zero, a tone will sound.

It is also possible to use the kitchen timer while in the cook mode. To do this follow the steps as outline above while your food is cooking. Once the kitchen timer is activated, it will appear on the display for five seconds, then the display will revert to the countdown timer for the cooking cycle. To view the timer again press the **TIME/SET CLOCK** button once and the kitchen timer will appear for five seconds, then revert to the cooking countdown.

- To cancel the **TIMER** program press **STOP/ECO** button and the display shows the time.
- If a cooking cycle has been started, it is possible to start the kitchen timer by following the steps as above.

POWER SAVING FUNCTION

This feature allows power to be saved while the oven is not being used. To activate this feature while in the standby mode, press and hold **STOP/ECO** button for 3 seconds, the display will turn off; the oven will enter power saving mode.

To cancel the power saving mode, press any button or open and close the oven door.

MUTE FUNCTION

It is possible to mute any tones from the microwave using the mute function. To set mute function press **CHILD LOCK** button once the display will show "**oFF**" for 5 seconds. While in the mute mode, there will be no sound when buttons are pressed.

To turn off the mute function, press the **CHILD LOCK** button once, the display will show "**on**" for 5 seconds to indicate the sound has been turned back on.

If the mute function is set and the oven is disconnected from the mains supply, it will be canceled when the mains is reconnected.

SAFETY LOCK

This is an automatic function to prevent unsupervised operation of the oven by children. While in the standby mode, if there is no operation within one minute, the oven will automatically enter Safety lock mode and "**Loc**" will appear in the display. In the lock state, all buttons are disabled. Press any button, lock indication appears on the display for 5 seconds to remind user to cancel the Safety lock.

To turn the safety lock off simply open and close the door to the microwave and the keypad will become active again and the lock indicator light will turn off.

CHILD LOCK

1. To set the CHILD LOCK, press and hold the **CHILD LOCK** button for 3 seconds, a long beep will be heard and the display will indicate "**Loc**". The oven is now in the CHILD LOCK mode. While in this mode, the display will show the lock, if any key is pressed or the door is opened, "**Loc**" will be seen for 5 seconds.
2. To cancel the CHILD LOCK, press and hold the **CHILD LOCK** button for 3 seconds until a long beep sound is heard.

CLEANING AND CARE

1. Turn off the oven and unplug the power cord from the mains supply when cleaning.
2. Keep the inside of the oven clean. When food splatters or spilled liquids adhere to oven sides, top or baseplate, wipe with a damp cloth. Mild detergents may be used if the oven gets very dirty. Avoid using spray or other harsh cleaners. They may stain, streak or dull the door surface.
3. The outside of the oven should be cleaned with a damp cloth. To prevent damage to the operating parts inside the oven, water should not be allowed to seep into the ventilation openings.
4. Wipe the door and window on both sides, the door seals and adjacent parts frequently with a damp cloth to remove any spills or splatters.
5. Do not use abrasive cleaners.
6. Do not steam cleaners.
7. Do not allow the control panel to become wet. Clean with a soft, damp cloth. When cleaning the control panel, leave oven door open to prevent oven from accidentally turning on.
8. If steam accumulates inside or around the outside of the oven door, wipe with a soft cloth. This may occur when the microwave oven is operated under high humidity condition. This is not a fault.
9. The baseplate should be cleaned regularly to avoid contamination and potential arcing/damage. Simply wipe the bottom surface of the oven with mild detergent.
10. Remove odors from your oven by combining a cup of water with the juice and skin of one lemon in a microwaveable bowl. Microwave for 5 minutes. Wipe thoroughly and dry with a soft cloth.
11. If the light bulb fails, please contact customer service for advice.
12. The oven should be cleaned regularly and any food deposits should be removed. Failure to maintain the oven in a clean condition could lead to deterioration of surface that could adversely affect the life of the unit and could possibly result in a hazardous situation.
13. Please do not dispose of this appliance into the domestic rubbish bin; refer to your countries advice on disposal of this type of product.

SUITABLE OVENWARE

1. The ideal material for a microwave utensil is transparent to microwave, it allows energy to pass through the container and heat the food.
2. Microwave cannot penetrate metal, so metal utensils or dishes with metallic trim should not be used.
3. Do not use recycled paper products when microwave cooking, as they may contain small metal fragments which may cause sparks and/or fires.
4. Round /oval dishes rather than square/oblong ones are recommend, as food in corners tends to overcook.
5. Narrow strips of aluminum foil may be used to prevent overcooking of exposed areas. But be careful don't use too much and keep a distance of 2.54 cm between foil and cavity

The list below is a general guide to help you select the correct utensils.

Cookware	Microwave Safe	Grill	Comment
Browning dishes	✓ / ✗	✗	Always follow the manufacturers instructions. Do not exceed heating times given. Be very careful as these dishes become very hot.
China and ceramics	✓ / ✗	✗	Porcelain, pottery, glazed earthenware and bone china are usually suitable, except for those with metallic decoration.
Heat-Resistant Glass	✓	✓	Care should be taken to ensure that any glass cook ware is suitable for use in a microwave oven.
Non Heat-Resistant Glass	✗	✗	
Heat-Resistant Ceramics	✓	✓	Ensure that any ceramic material is not too thick or in high in mineral content.
Microwave-Safe Plastic Dish	✓	✗	Always check that the plastic cook ware is suitable to be used in a microwave oven.
Kitchen Paper	✓ / ✗	✗	Only use kitchen paper which is recommended for use in microwave ovens.
Glassware e.g. Pyrex®	✓ / ✗	✓	Care should be taken if using fine glassware as it can break or crack if heated suddenly.
Metal Tray	✗	✓	It is not recommended to use metal cookware as it will arc, which can lead to fire.
Metal Rack	✗	✓	It is not recommended to use metal cookware as it will arc, which can lead to fire.
Aluminium foil Foil Containers	✓ / ✗	✓	Small pieces of aluminium foil can be used to shield food from overheating. Keep foil at least 2.54 cm from the oven walls, as arcing may occur. Foil containers are not recommended unless specified by the manufacturer, e.g. Microfoil®, follow instructions carefully.
Cling film	✓	✗	It should not touch the food and must be pierced to let the steam escape.
Plastic/Polystyrene e.g fast food containers	✓	✗	Care must be taken as some containers warp, melt or discolour at high temperatures.
Freezer/Roasting bags	✓	✗	Must be pierced to let steam escape. Ensure bags are suitable for microwave use.
Paper - Plates, cups and kitchen paper	✓	✗	Do not use plastic or metal ties, as they may melt or catch fire due to the metal 'arcing'.
Straw and wooden Containers	✓	✗	Only use for warming or to absorb moisture. Care must be taken as overheating may cause fire.
Recycled paper and newspaper	✗	✗	Always attend the oven when using these materials as overheating may cause fire. May contain extracts of metal which will cause 'arcing' and may lead to fire.



WARNING: When heating food in plastic or paper containers, monitor the oven due to the possibility of ignition.

NOTE: Do not leave your oven unattended while in use.

MICROWAVE COOKING ADVICE

Microwaves cook food faster than conventional cooking. It is therefore essential that certain techniques are followed to ensure good results. Many of the following techniques are similar to those used in conventional cooking.



WARNING: Liquids and foods must not be heated in sealed containers or jars/containers with lids on, as pressure will build up inside and may cause the jar/container to explode.

COOKING ADVICE NOTES:

- Always attend the oven when in use.
- Ensure that the utensils are suitable for use in a microwave oven.
- Only use microwave popcorn within the recommended packaging (follow the manufacturers instructions). Never use oil unless specified by the manufacturer and never cook for longer than instructed.



WARNING: If you exceed recommended cooking times and use power levels that are too high, food may overheat, burn and, in extreme circumstances, catch fire and damage the oven.

Arrange

Place the thickest parts of food towards the outside of the dish. e.g. Chicken drumsticks.

Foods that are placed towards the outside of the dish will receive more energy, so cook quicker, than those in the centre.

Cover

Certain foods benefit from being covered during microwave cooking.

Use vented microwave cling film or a suitable lid.

Pierce

Foods with a shell, skin or membrane must be pierced in several places before cooking or reheating as steam will build up and may cause food to explode. e.g. Potatoes, Fish, Chicken, Sausages.

NOTE: Eggs should not be heated using microwave power as they may explode, even after cooking has ended. e.g. poached, fried, hard boiled.

Stir, turn and rearrange

For even cooking it is essential to stir, turn and rearrange food during cooking. Always stir and rearrange from the outside towards the centre.

Stand

Standing time is necessary after cooking so it enables the heat to disperse equally throughout the food.

Food Characteristics	
Composition	Foods high in fat or sugar (e.g. Christmas pudding, mince pies) require less heating time. Care should be taken as overheating can lead to fire. Bones in food conduct heat, making the food cook more quickly. Care must be taken so that the food is cooked evenly.
Density	Food density will affect the amount of cooking time needed. Light porous foods, such as cakes or bread, cook more quickly than heavy, dense foods, such as roasts and casseroles.
Quantity	The number of microwaves in your oven remains the same regardless of how much food is being cooked. The cooking time must be increased as the amount of food placed in the oven increases. e.g. Four potatoes will take longer to cook than two.
Size	Small foods and small pieces cook faster than large ones, as microwaves can penetrate from all sides to the centre. For even cooking make all the pieces the same size.
Shape	Foods which are irregular in shape, such as chicken breasts or drumsticks, take longer to cook in the thicker parts. For even cooking, place the thickest parts to the outside of the dish where they will receive more energy. Round shapes cook more evenly than square shapes when microwave cooking.
Temperature of food	The initial temperature of food affects the amount of cooking time needed. Chilled foods will take longer to cook than food at room temperature. The temperature of the container is not a true indication of the temperature of the food or drink. Cut into foods with fillings, for example jam doughnuts, to release heat or steam.



WARNING: Face & Hands: Always use oven gloves to remove food or cookware from the oven. Stand back when opening the oven door to allow heat or steam to disperse. When removing covers (such as cling film), opening roasting bags or popcorn packaging, direct steam away from face and hands.



WARNING: Check the temperature of food and drink, stir before serving. Take special care when serving to babies, children or the elderly. The contents of feeding bottles and baby food jars are to be stirred or shaken and the temperature is to be checked before consumption to avoid burns.

DEFROSTING ADVICE

Using your microwave oven is the quickest defrosting method. It is a simple process but the following instructions are essential to ensure the food is thoroughly defrosted.

- Remove all packaging and wrapping before defrosting.
- To defrost food, use microwave power levels P-20 to P-40.
- Please refer to the further information below.

Rearrange

Foods that are placed towards the outside of the dish will defrost quicker than foods in the centre. It is therefore essential that the food is rearranged up to 4 times during defrosting.

Move closely packed pieces from the outside to the centre and rearrange over-lapping areas.

This will ensure that all parts of the food defrosts evenly.

Separate

Foods may be stuck together when removed from the freezer. It is important to separate foods as soon as it is possible during defrosting.

e.g. bacon rashers, chicken fillets.

Shield

Some areas of food being defrosted may become warm. To prevent them becoming warmer and starting to cook, these areas can be shielded with small pieces of foil, which reflect microwaves, e.g. legs and wings on a chicken.

Stand

Standing time is necessary to ensure food is thoroughly defrosted.

Defrosting is not complete once the food is removed from the microwave oven. Food must stand, covered, for a length of time to ensure the centre has completely defrosted.

Turn over

It is essential that all foods are turned over up to 4 times during defrosting.

This is important to ensure thorough defrosting.

REHEATING ADVICE

For the reheating of foods, follow the advice and guidelines below to ensure food is thoroughly reheated before serving.

Plated meals

Remove any poultry or meat portions, reheat these separately, see below.

Place smaller items of food to the centre of the plate, larger and thicker foods to the edge. Cover with vented microwave cling film and reheat on power level P-50, stir/rearrange halfway through reheating.

NOTE: Ensure the food is thoroughly reheated before serving.

Sliced meat

Cover with vented microwave cling film and reheat on power level P-60. Rearrange at least once to ensure even reheating.

NOTE: Ensure the meat is thoroughly reheated before serving.

Poultry portions

Place thickest parts of the portions to the outside of the dish, cover with vented microwave cling film and reheat on power level P-70.

Turn over halfway through reheating.

NOTE: Ensure the poultry is thoroughly reheated before serving.

Casseroles

Cover with vented microwave cling film or a suitable lid and reheat on power level P-50.

Stir frequently to ensure even reheating.

NOTE: Ensure the food is thoroughly reheated before serving.

To achieve the best results when reheating, select a suitable microwave power level appropriate to the type of food. e.g. A bowl of vegetables can be reheated using power level P-100, while a lasagne which contains ingredients that cannot be stirred, should be reheated using power level P-40.

NOTES:

- Remove food from foil or metal containers before reheating.
- Reheating times will be affected by the shape, depth, quantity and temperature of food together with the size, shape and material of the container.



WARNING: Never heat liquids in narrow-necked containers, as this could result in the contents erupting from the container and may cause burns.

- To avoid overheating and fire, special care must be taken when reheating foods with a high sugar or fat content, e.g. mince pies or Christmas pudding.
- Never heat oil or fat for deep frying as this may lead to overheating and fire.
- Canned potatoes should not be heated in the microwave oven, follow the manufacturer's instructions on the can.



WARNING: The contents of feeding bottles and baby food jars are to be stirred or shaken and the temperature is to be checked before consumption to avoid burns.

TROUBLESHOOTING

If you think the oven is not working properly there are some simple checks you can carry out yourself before calling an engineer. This will help prevent unnecessary service calls if the fault is something simple.

Follow this simple check below:

Place half a cup of water on the baseplate and close the door. Set the timer know to cook for 1 minute using microwave power level of P-100.

1. Does the oven lamp come on when it is cooking?
2. Does the cooling fan work? (Check by placing your hand above the air vent openings).
3. After 1 minute does the audible signal sound?
4. Is the water in the cup hot?

If you answer "NO" to any question first check that the oven is plugged in properly and the fuse has not blown. If there is no fault with either, check against the troubleshooting chart below.



WARNING: Never adjust, repair or modify the oven yourself. It is hazardous for anyone other than a SHARP trained engineer to carry out servicing or repairs. This is important as it may involve the removal of covers that provide protection against microwave energy.

- The door seal stops microwave leakage during oven operation, but does not form an airtight seal. It is normal to see drops of water, light or feel warm air around the oven door. Food with a high moisture content will release steam and cause condensation inside the door which may drip from the oven.
- Repairs and Modifications: Do not attempt to operate the oven if it is not working properly.
- Outer Cabinet & Lamp Access: Never remove the outer cabinet. This is very dangerous due to high voltage parts inside which must never be touched, as this could be fatal.
Your oven is not fitted with a lamp access cover. If the lamp fails, do not attempt to replace the lamp yourself, call a SHARP approved service facility.

TROUBLESHOOTING CHART

QUERY	ANSWER
Draught circulates around the door.	When the oven is working, air circulates within the cavity. The door does not form an airtight seal so air may escape from the door.
Condensation forms in the oven, and may drip from the door.	The oven cavity will normally be colder than the food being cooked, and so steam produced when cooking will condense on the colder surface. The amount of steam produced depends on the water content of the food being cooked. Some foods, such as potatoes have a high moisture content. Condensation trapped in the door glass should clear after a few hours.
Flashing or arcing from within the cavity when cooking.	Arcing will occur when a metallic object comes into close proximity to the oven cavity during cooking. This may possibly roughen the surface of the cavity, but would not otherwise damage the oven.
Arcing potatoes.	Ensure all "eyes" are removed from the potatoes and that they have been pierced, place directly onto the baseplate in a heat resistant flan dish or similar.
Oven does not work when the START/QUICK START button is pressed.	Check the door is closed properly.
Oven cooks too slowly.	Ensure correct power level has been selected.
Oven makes a noise.	The microwave energy pulses ON and OFF during cooking/defrosting. Bleep is heard from the oven every minute and the display indicates "Fail" If the control panel buttons are pressed continuously for more than 1 minute this error will occur.
Outer cabinet is hot.	The cabinet may become warm to the touch - keep children away.

BEFORE CALLING FOR ASSISTANCE

Before asking for service, please check each item below:

- Check to ensure that the oven is plugged in securely. If it is not, remove the plug from the outlet, wait 10 seconds, and plug it in again securely.
- Check for a blown circuit fuse or a tripped main circuit breaker. If these seem to be operating properly, test the outlet with another appliance.
- Check to ensure that the power and timer knobs are set correctly.
- Check to ensure that the door is securely closed engaging the door safety lock system. Otherwise, the microwave energy will not flow into the oven

IF NONE OF THE ABOVE RECTIFIES THE SITUATION, THEN CONTACT A QUALIFIED TECHNICIAN. DO NOT TRY TO ADJUST OR REPAIR THE OVEN YOURSELF.



Achtung:

Ihr Produkt ist mit diesem Symbol gekennzeichnet. Dies bedeutet, dass Elektro-Altgeräte nicht mit dem allgemeinen Hausmüll vermischt werden dürfen. Es gibt ein separates Sammelsystem für diese Produkte.



www.sharpconsumer.com/contact/



www.sharpconsumer.com/support/



www.sharpconsumer.com/documents-of-conformity/

A. Entsorgungsinformationen (für private Haushalte)

1. In der EU

Achtung: Bitte entsorgen Sie das Gerät nicht über den Hausmüll! Elektro-Altgeräte müssen getrennt vom übrigen Abfall und gemäß den gültigen gesetzlichen Vorschriften zur Entsorgung und zum Recycling elektrischer und elektronischer Altgeräte behandelt werden.

Gemäß der Umsetzung der Altgeräterichtlinie seitens der Mitgliedsstaaten können Privathaushalte in der Europäischen Union ihre elektrischen und elektronischen Altgeräte an dafür vorgesehenen Entsorgungsstellen kostenlos abgeben.

In einigen Ländern* kann auch Ihr örtlicher Händler Ihr Altgerät kostenlos entgegennehmen, wenn Sie ein vergleichbares Neugerät kaufen.

*) Kontaktieren Sie hierfür bitte Ihre örtlichen Behörden.

Wenn Ihr Elektroaltgerät Batterien oder Akkus enthält, sollten Sie diese vorher getrennt entsorgen, gemäß den örtlichen Anforderungen. Wenn Sie dieses Produkt korrekt entsorgen, tragen Sie zu einer korrekten Schadstoffbehandlung und zu einem effizienten Recycling und im Endeffekt zum Umweltschutz und zur Verhinderung von eventuellen Gesundheitsrisiken bei.

Informationen gültig für Deutschland

Altgeräte sind getrennt zu sammeln und zu entsorgen. Besitzer von Altgeräten tragen damit zur sicheren Entsorgung bei und helfen, mögliche umwelt- oder gesundheitsschädliche Folgen zu vermeiden.

Entnehmbare Lampen, die zerstörungsfrei zu entnehmen sind, sind vor der Entsorgung zu entfernen und getrennt zu behandeln.

Informationen über geschaffene Sammel- bzw. Rückgabemöglichkeiten sowie die Verpflichtungen des Handels/der Vertrieber gegenüber Endnutzern zur kostenfreien Rücknahme von Altgeräten finden Sie auf der lokalen Website des Herstellers des Produktes (www.sharpconsumer.eu), oder wenden Sie sich an den Händler, von dem das Produkt bezogen wurde.

Die Verantwortung für das Löschen von personenbezogenen Daten, die sich auf dem zu entsorgenden Gerät befinden, liegt beim Endnutzer.

Das Symbol mit der durchgestrichenen Mülltonne weist darauf hin, dass Produkte und/oder Verpackungen getrennt vom Hausmüll gesammelt und entsorgt werden müssen. Der schwarze Balken zeigt an, dass das Produkt nach dem 13. August 2005 auf den Markt gebracht wurde.

2. In Nicht-EU-Ländern

Bitte kontaktieren Sie Ihre örtlichen Behörden für mehr Informationen über die korrekte Entsorgung Ihres Produkts.

Für die Schweiz: Gebrauchte elektrische und elektronische Geräte können beim Händler kostenlos abgegeben werden, auch wenn kein neues Produkt gekauft wird. Weitere Einrichtungen zur Entsorgung finden Sie auf der Homepage von www.swico.ch oder www.sens.ch.

B. Entsorgungsinformationen für gewerbliche Nutzer

1. In der EU

Wenn das Produkt für gewerbliche Zwecke benutzt wurde und Sie es entsorgen möchten:

Kontaktieren Sie bitte Ihren SHARP-Händler, der Sie über die Zurücknahme des Produkts informieren wird. Es könnten Ihnen dabei Rücknahme- und Recyclingkosten in Rechnung gestellt werden. Kleine Produkte (und kleine Mengen) werden möglicherweise auch von ihrem örtlichen Recyclinghof entgegengenommen.

In Spanien: Kontaktieren Sie bitte ihr örtliches Entsorgungsunternehmen oder die örtlichen Behörden, um mehr über die Entsorgung Ihrer Altgeräte zu erfahren.

2. In Nicht-EU-Ländern

Bitte kontaktieren sie Ihre örtlichen Behörden für mehr Informationen über die korrekte Entsorgung Ihres Produkts.

Serviceleistungen finden Sie unter www.sharpconsumer.com/contact/, Ihre Garantierechte unter www.sharpconsumer.com/support/ oder bei dem Händler, bei dem Sie das Produkt erworben haben. Konformitätserklärungen finden Sie unter www.sharpconsumer.com/documents-of-conformity/

VORSICHTSMASSNAHMEN ZUR VERMEIDUNG EINER MÖGLICHEN EXPOSITION GEGENÜBER MIKROWELLENERGIE

1. Betreiben Sie diesen Ofen nicht mit geöffneter Tür. Dies kann zu einer schädlichen Exposition gegenüber Mikrowellenenergie führen. Es ist wichtig, dass Sie die Sicherheitsverriegelungen nicht umgehen oder manipulieren.
2. Stecken Sie keine Gegenstände zwischen die Vorderseite des Ofens und die Tür und achten Sie darauf, dass sich kein Schmutz und keine Reinigungsmittelreste auf den Dichtflächen ansammeln.
3. Bedienen Sie den Ofen nicht, wenn dieser beschädigt ist. Es ist besonders wichtig, dass die Gerätetür richtig schließt und dass die Tür, Scharniere, Schlösser oder Türdichtungen und Dichtflächen unbeschädigt sind.
4. Sie sollten nicht versuchen, den Ofen zu reparieren oder zu verstellen.

INHALTSVERZEICHNIS

WICHTIGE SICHERHEITSHINWEISE.....	3
EINBAU	12
FUNKSTÖRUNG	13
ANWEISUNGEN ZUR ERDUNG	13
TECHNISCHE DATEN	13
GERÄT UND ZUBEHÖR	14
BEDIENTAFEL	15
VORBEREITUNG	16
EINSTELLEN DER UHR	16
GAREN MIT DER MIKROWELLE.....	17
SCHNELLSTART	18
GRILLEN*.....	18
MIKROWELLE UND GRILL*.....	18
AUTO-MENÜ.....	19
AUTO DEFROST (AUTOMATISCHES AUFTAUEN)	20
AUTOMATISCHES AUFWÄRMEN*	20
KÜCHENTIMER.....	20
ENERGIESPARFUNKTION.....	20
STUMM-FUNKTION	21
SICHERHEITSVERRIEGELUNG.....	21
KINDERSICHERUNG.....	21
REINIGUNG UND WARTUNG	22
PASSENDEN OFENGESCHIRR.....	23
MIKROWELLENGARTIPPS.....	24
AUFTAU-TIPPS.....	26
AUFWÄRM-TIPPS.....	27
FEHLERBEHEBUNG.....	28
EHE SIE UNTERSTÜTZUNG ANFORDERN.....	29

WICHTIGE SICHERHEITSANWEISUNGEN

BITTE SORGFÄLTIG DURCHLESEN UND ZUM SPÄTEREN NACHSCHLAGEN AUFBEWAHREN

Um die Gefahr eines Brandes auszuschließen. Mikrowellengeräte sollten während des Betriebs nicht unbeaufsichtigt gelassen werden. Zu hohe Leistungsstufen oder zu lange Garzeiten können das Gargut überhitzen und Feuer verursachen.

Dieses Gerät ist nur für den Einsatz auf einer Arbeitsfläche vorgesehen. Es ist nicht für den Einbau in einem Küchenschrank konzipiert. Das Gerät nicht in einen Schrank stellen. Die Steckdose muss ständig zugänglich sein, sodass der Netzstecker im Notfall einfach abgezogen werden kann.

Die Netzspannung muss 230-240 V Wechselstrom, 50 Hz betragen und sollte mit einer Sicherung von mindestens 10 A oder einem Sicherungsautomaten von mindestens 10 A ausgestattet sein. Ein getrennter, nur dem Betrieb dieses Geräts dienender Stromkreis sollte vorgesehen werden.

Stellen Sie das Gerät nicht an einem Ort auf, an dem Hitze generiert wird, z. B. neben einem konventionellen Herd.

Das Gerät nicht an Orten aufstellen, an denen hohe Luftfeuchtigkeit vorhanden ist oder sich Kondenswasser bilden kann.

Das Gerät nicht im Freien aufbewahren oder aufstellen. Das Gerät nicht im Freien aufbewahren oder aufstellen.

Wird Rauch festgestellt, ist das Gerät sofort auszuschalten oder der Netzstecker abzuziehen und die Tür geschlossen zu halten, damit eventuelle Flammen erstickt werden.

Verwenden Sie ausschließlich für Mikrowellen geeignete Behälter und Utensilien. Utensilien sollten auf Mikrowellenfähigkeit überprüft werden.

Beim Erhitzen von Lebensmitteln in Plastik- oder Papier-

behältern müssen Sie das Gerät überwachen, da sich diese entzünden könnten.

Reinigen Sie die Abdeckung des Hohlleiters und den Garraum. Sie müssen trocken und frei von Fett sein. Angesammeltes Fett könnte sich überhitzen, zu rauchen anfangen oder Feuer fangen.

Keine brennbaren Materialien in der Nähe des Gerätes oder den Lüftungsöffnungen aufbewahren. Niemals die Lüftungsöffnungen blockieren.

Alle Metallverschlüsse, Drähte usw. von Lebensmitteln und Verpackungen entfernen. Funkenbildung auf Metalloberflächen kann zu Feuer führen.

Das Mikrowellengerät nicht zum Frittieren von Lebensmitteln in Öl oder Fett verwenden. Die Temperatur kann nicht kontrolliert werden und das Fett kann sich entzünden.

Zum Herstellen von Popcorn sollte nur für Mikrowellengeräte vorgesehenes Popcorn-Geschirr verwendet werden.

Keine Lebensmittel oder andere Gegenstände im Gerät lagern.

Die Einstellungen nach dem Starten des Gerätes überprüfen, um sicherzustellen, dass das Gerät wie gewünscht arbeitet.

Lassen Sie den Ofen beim Betrieb nicht unbeaufsichtigt.

Zur Vermeidung von Überhitzung und Feuer sollte besonders vorsichtig vorgegangen werden, wenn Lebensmittel mit einem besonders hohen Zucker- oder Fettgehalt gegart oder aufgewärmt werden, z. B. Würstchen, Kuchen oder weihnachtliche Süßspeisen. Beachten Sie die entsprechenden Hinweise in dieser Bedienungsanleitung.

Zur Vermeidung von Verletzungen. WARNUNG:

Das Gerät nicht betreiben, wenn es beschädigt ist oder Fehlfunktionen aufweist. Überprüfen Sie vor dem Betrieb die folgenden Punkte:

- a) Vergewissern Sie sich, dass die Tür einwandfrei schließt und dass sie nicht falsch ausgerichtet oder verzogen ist.
- b) Vergewissern Sie sich, dass die Scharniere und Verriegelungen der Sicherheitstüren nicht beschädigt oder lose sind.
- c) Vergewissern Sie sich, dass die Türdichtungen und Dichtungsoberflächen nicht beschädigt sind.
- d) Vergewissern Sie sich, dass sich im Garraum und an der Tür keine Dellen oder andere Beschädigungen vorhanden sind.
- e) Vergewissern Sie sich, dass das Netzkabel und der Stecker nicht beschädigt sind.

Falls die Tür bzw. die Türdichtungen beschädigt sind, darf das Gerät nicht weiter betrieben werden, bevor es durch eine kompetente Person repariert wurde.

Nehmen Sie unter keinen Umständen Reparaturen oder Änderungen an Ihrem Mikrowellengerät selbst vor. Reparaturen, insbesondere solche, bei denen die Abdeckung des Geräts entfernt werden muss, dürfen ausschließlich von entsprechend qualifizierten Technikern vorgenommen werden.

Das Gerät nicht mit geöffneter Türe betreiben oder verändern Sie die Türsicherungsverriegelung in keiner Weise. Gerät nicht betreiben, wenn sich ein Objekt zwischen den Türdichtungen und den Dichtungsoberflächen befindet.

Vermeiden Sie die Bildung von Schmutz oder Fett an Türdichtungen und angrenzenden Teilen. Reinigen Sie das Gerät in regelmäßigen Abständen und entfernen Sie Lebensmittelrückstände.

Befolgen Sie die Hinweise im Kapitel „Reinigung und Pflege“. Wird das Gerät nicht in einem sauberen Zustand gehalten, kann dies zu einer Beschädigung der Oberfläche führen, was die Gebrauchsdauer des Gerätes nachteilig

beeinflussen und möglicherweise zu einer Gefahrensituation führen kann.

Personen mit HERZSCHRITTMACHERN sollten ihren Arzt oder den Hersteller des Herzschrittmachers nach Vorsichtsmaßnahmen beim Umgang mit Mikrowellengeräten befragen.

Zur Vermeidung von Elektroschocks.

- Unter keinen Umständen sollte das äußere Gehäuse entfernt werden.
- Niemals Flüssigkeiten in die Öffnungen der Türsicherungsverriegelung oder Lüftungsöffnungen eintreten lassen, ferner keine Gegenstände in diese Öffnungen stecken. Wenn größere Mengen Flüssigkeiten verschüttet werden, das Gerät sofort ausschalten, den Netzstecker ziehen und den SHARP-Kundendienst kontaktieren.
- Niemals das Netzkabel bzw. den Netzstecker in Wasser oder andere Flüssigkeiten tauchen.
- Das Netzkabel nicht über scharfe Kanten eines Tisches oder eine Arbeitsplatte führen.
- Das Netzkabel von erwärmten Oberflächen, einschließlich der Geräterückseite, fernhalten.
- Das Gerät und Kabel von Kindern unter 8 Jahren fernhalten.
- Auf keinen Fall versuchen, die Garraumlampe selbst auszuwechseln, sondern nur von einem von SHARP autorisierten Elektriker auswechseln lassen! Wenn die Garraumlampe ausfallen sollte, wenden Sie sich bitte an Ihren Elektrohändler oder eine von SHARP autorisierte Kundendienststelle.
- Wenn das Netzkabel beschädigt wird, muss es von einem autorisierten Servicetechniker von SHARP ersetzt werden.

WARNUNG: Speisen in flüssiger und anderer Form dürfen nicht in verschlossenen Gefäßen erhitzt werden, da diese explodieren könnten. Die Erhitzung von Getränken durch Mikrowellen kann verspätetes Aufwallen verursachen. Bei der Handhabung der Gefäße ist daher Vorsicht geboten.

Zur Vermeidung von Explosionen und plötzlichem Sieden:

Benutzen Sie niemals verschlossene Behälter. Verschlüsse und Abdeckungen müssen entfernt werden. Verschlossene Behälter können durch den Druckanstieg selbst nach dem Ausschalten des Gerätes noch explodieren. Seien Sie beim Erhitzen von Flüssigkeiten vorsichtig. Verwenden Sie Behälter mit einer großen Öffnung, damit entstehende Blasen entweichen können.

Niemals Flüssigkeiten in schmalen, hohen Gefäßen (z. B. Saugflaschen) erhitzen, da der Inhalt herauspritzen kann und es zu Verbrennungen kommen könnte.

Vermeiden von plötzlichem Überkochen und möglichen Verbrühungen:

1. Stellen Sie keine extrem langen Garzeiten ein.
2. Die Flüssigkeiten vor dem Garen/Erhitzen umrühren.
3. Es wird empfohlen, während des erneuten Erhitzens einen Glasstab oder einen ähnlichen Gegenstand (kein Metall) in den Behälter zu stellen.
4. Nach dem Erhitzen die Flüssigkeiten noch mindestens 20 Sekunden im Gerät stehen lassen, um verspätetes Aufwallen durch Siedeverzug zu verhindern.

Eier nicht mit der Schale kochen. Hartgekochte Eier dürfen nicht in Mikrowellengeräten erwärmt werden, da sie selbst nach der Erwärmung explodieren können. Zum Garen oder Aufwärmen von Eiern, die nicht verquirlt oder verrührt wurden, das Eigelb und Eiweiß anstechen. Vor dem Aufwärmen im Mikrowellengerät die Schale von gekochten Eiern entfernen und die Eier in Scheiben schneiden.

Die Schale von Lebensmitteln, wie z. B. Kartoffeln, Würstchen oder Obst, vor dem Garen anstechen, damit der Dampf entweichen kann.

Der Inhalt von Saugflaschen und Baby-Nahrungsbehältern muss vor dem Gebrauch geschüttelt bzw. gerührt und die Temperatur muss vor dem Verzehr geprüft werden, um Verbrennungen zu vermeiden. Bei der Entnahme von Gargut aus dem Garraum sollten Topflappen oder Ofenhandschuhe verwendet werden. Zur Vermeidung von Verbrennungen:

- Behälter, Popcorneschirr, Kochbeutel, usw. immer vom Gesicht und den Händen abgewandt öffnen, um Verbrennungen durch Dampf und plötzliches Sieden zu vermeiden. Um Verbrennungen zu vermeiden, immer die Lebensmittelltemperatur prüfen und umrühren, bevor Sie die Speisen servieren. Besondere Vorsicht ist geboten, wenn die Lebensmittel oder Getränke für Babys, Kinder oder alte Menschen gedacht sind. Zugängliche Teile können während des Betriebs heiß werden. Halten Sie Kinder deshalb von ihnen fern.
- Die Temperatur des Behälters ist kein Hinweis auf die tatsächliche Temperatur des Lebensmittels oder Getränks; immer die Temperatur prüfen.
- Halten Sie beim Öffnen der Gerätetür ausreichenden Abstand, um Verbrennungen durch austretende Hitze oder Dampf zu vermeiden.
- Schneiden Sie gefüllte und gebackene Speisen nach dem Garen in Scheiben, um den Dampf entweichen zu lassen und Verbrennungen zu vermeiden.
- Kinder von der Tür fernhalten, um Verbrennungen zu vermeiden.

WARNUNG: Erlauben Sie Kindern über 8 Jahren die Nutzung des Gerätes ohne Aufsicht nur, wenn ausreichende Anweisungen gegeben wurden, sodass das Kind in der Lage ist, das Gerät auf eine sichere Weise zu bedienen und die Gefahren eines unsachgemäßen Gebrauchs versteht. Wenn das Gerät in den Modi GRILL, MIX GRILL, KONVEK-

TION, MIX-KONVEKTION und AUTO-MENÜ betrieben wird (Modus gilt je nach Modell), sollten Kinder das Gerät wegen der hohen Temperaturen nur unter Aufsicht von Erwachsenen betreiben.

Dieses Gerät ist nicht für die Verwendung durch Personen (einschließlich Kinder) mit eingeschränkten physischen, sensorischen oder geistigen Fähigkeiten, oder Mangel an Erfahrung und Wissen bestimmt, sofern sie keine angemessene Aufsicht oder ausführliche Anleitung zur Benutzung des Geräts durch eine verantwortliche Person für ihre Sicherheit erhalten haben.

Kinder sollten beaufsichtigt werden, um sicherzustellen, dass sie nicht mit dem Gerät spielen. Die Reinigung durch Kinder sollte überwacht werden.

Modelle mit elektronischem Touchscreen haben einen Kindersicherungsmodus.

Nicht an die Gerätetür lehnen oder hängen. Nicht mit dem Gerät spielen, oder es als Spielzeug verwenden.

Kinder sollten mit allen wichtigen Sicherheitshinweisen vertraut gemacht werden, z. B. Verwendung von Topflappen und vorsichtiges Abnehmen von Deckeln. Achten Sie besonders auf Verpackungen, die Lebensmittel knusprig halten (z. B. selbstbräunende Materialien), da diese besonders heiß werden.

Sonstige Warnungen

Niemals das Gerät in irgendeiner Weise modifizieren.

Das Gerät während des Betriebs nicht bewegen.

Dieses Gerät ist für den Einsatz im Haushalt bestimmt. Dieses Gerät ist nur für den Hausgebrauch und darf nur zum Garen von Lebensmitteln und das Erwärmen von Getränken verwendet werden. Das Trocknen von Lebensmitteln oder Kleidung und das Erwärmen von Heizkissen, Pantoffeln, Schwämmen,

feuchten Tüchern und dergleichen kann zu Verletzungs-, Entzündungs- oder Brandgefahr führen. Es eignet sich nicht für gewerbliche Zwecke oder den Gebrauch in einem Labor.

Zur Vermeidung von Fehlfunktionen und Beschädigungen dieses Gerätes.

Das Gerät darf niemals im leeren Zustand betrieben werden. Bei der Verwendung von Bräunungsgeschirr oder selbsterwärmenden Materialien muss eine hitzebeständige Isolierung (z. B. ein Porzellanteller) zwischen Geschirr und Drehteller gestellt werden. Dadurch werden Beschädigungen des Ofenbodens durch Wärme vermieden. Die angegebene Aufheizzeit für das Geschirr darf nicht überschritten werden.

Keine Metall-Utensilien verwenden, die Mikrowellen reflektieren, da dies Funkenbildung zur Folge haben kann. Stellen Sie keine Konservendosen in das Gerät.

So verhindern Sie, dass der Drehteller oder Ofenboden bricht:

- a) Vor der Reinigung mit Wasser: abkühlen lassen.
- b) Stellen Sie keine heißen oder kalten Lebensmittel oder Utensilien auf einen kalten Drehteller/Ofenboden.
- c) Stellen Sie während des Betriebs keine anderen Gegenstände auf das Gehäuse.

HINWEIS:

Benutzen Sie keine Kunststoffbehälter für die Mikrowelle, wenn der Ofen nach einer Verwendung eines Kombinationsmodus (abhängig vom Ofenmodell) noch heiß ist – sie könnten schmelzen.

Während der oben genannten Modi dürfen keine Plastikbehälter benutzt werden, außer der Hersteller dieser Behälter hat ihre Eignung bestätigt.

Sollten Sie sich beim Anschluss des Gerätes nicht sicher sein, so kontaktieren Sie bitte einen Fachmann.

Weder der Hersteller noch der Händler übernimmt Haftung für Schäden an Ofen oder Verletzungen, die infolge von Nichtbeachtung des elektrischen Anschlusses entstehen.

An den Innenwänden oder den Dichtungen und Dichtungsoberflächen können Wasserdampf oder Tropfen entstehen. Dies ist ein normaler Vorgang und kein Zeichen für eine Fehlfunktion der Mikrowelle.

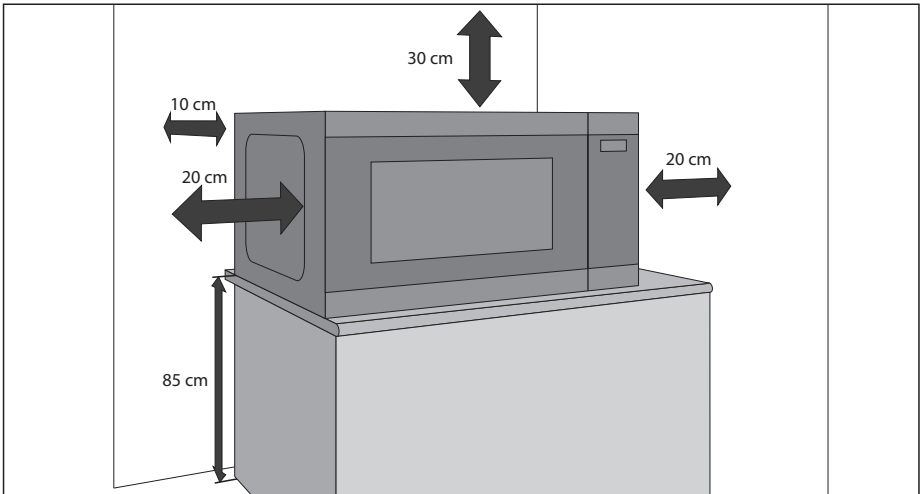
Dieses Gerät ist für den Einsatz in Haushalten und ähnlichen Anwendungsgebieten vorgesehen, wie z. B.; Küchenbereiche, reserviert für das Personal in Geschäften, Büros und anderen professionellen Umgebungen / Bauernhöfen / Nutzung von Hotels, Motels und anderen Wohnumgebungen durch Kunden / Umgebungen wie ein Gästehaus.



Dieses Symbol besagt, dass die Oberflächen während der Benutzung heiß werden können.

EINBAU

1. Entfernen Sie jegliches Verpackungsmaterial von der Innenseite des Ofens und entfernen Sie die den Schutzfilm am Gehäuse der Mikrowelle.
2. Überprüfen Sie das Gerät auf eventuelle Beschädigungen.
3. Platzieren Sie das Gerät auf einer sicheren, ebenen Oberfläche, die stabil genug ist, um das Gewicht des Gerätes und der darin zubereiteten Lebensmittel zu tragen. Das Gerät nicht in einem Schrank aufstellen.
4. Wählen Sie eine ebene Fläche, die über genügend Freiraum für die Ein- und/oder Auslässe verfügt. Siehe Bild auf der ersten Seite. Die Rückseite des Gerätes sollte an einer Wand platziert werden.
 - Die minimale Installationshöhe sollte 85 cm betragen.
 - Es muss ein Mindestabstand von 20 cm zwischen den Seiten des Mikrowellengeräts und allen angrenzenden Wänden eingehalten werden.
 - Es ist ein Mindestabstand von 30 cm über dem Gerät einzuhalten.
 - Nicht die Standfüße des Gerätes entfernen.
 - Ein Blockieren der Ein- und/ oder Auslassöffnungen kann das Gerät beschädigen.
 - Platzieren Sie das Gerät so weit als möglich von Radios und TV-Geräten entfernt. Der Mikrowellenbetrieb kann den Radio- oder TV-Empfang stören.



5. Den Netzstecker des Mikrowellengerätes mit einer normalen, geerdeten Steckdose verbinden.

WARNUNG:

Das Gerät nicht an Orten an denen Hitze, Feuchtigkeit oder hohe Luftfeuchtigkeit (z. B. in der Nähe oder über einem konventionellen Backofen) auftreten können, oder in der Nähe brennbarer Materialien (z. B. Vorhänge) aufstellen. Lüftungsöffnungen nicht blockieren oder versperren.

Nichts auf das Gerät stellen.

Berühren Sie die Außenseite des Mikrowellengerätes nicht beim Betrieb oder kurz danach, da sie heiß werden kann.

FUNKSTÖRUNG

Der Betrieb des Mikrowellengeräts kann Störungen bei Ihrem Radio, Fernseher oder bei ähnlichen Geräten verursachen. Sollten Störungen auftreten, können sie durch folgende Maßnahmen eingedämmt oder beseitigt werden:

1. Reinigen Sie die Tür und den Hohlraum, wo sie aufeinander treffen.
2. Ändern Sie die Ausrichtung der Empfangsantenne vom Radio oder Fernseher.
3. Stellen Sie das Mikrowellengerät im Verhältnis zum Empfänger neu auf.
4. Stecken Sie das Mikrowellengerät in eine andere Steckdose, damit das Mikrowellengerät und der Empfänger nicht an der gleichen Netzleitung angeschlossen sind.

ANWEISUNGEN ZUR ERDUNG

Dieses Gerät muss geerdet sein. Dieser Ofen ist mit einem Kabel mit Erdungsdraht und Erdungsstecker ausgestattet. Dieser muss an eine ordnungsgemäß installierte und geerdete Wandsteckdose angeschlossen werden. Im Falle eines elektrischen Kurzschlusses verringert die Erdung das Risiko eines Stromschlags, indem ein Fluchtdraht für den elektrischen Strom bereitgestellt wird. Es wird empfohlen, einen separaten Stromkreis bereitzustellen, der nur den Ofen versorgt.



WARNUNG: Bei unsachgemäßer Verwendung des Erdungssteckers kann die Gefahr eines Stromschlags bestehen.

HINWEIS:

1. Wenn Sie Fragen zur Erdung oder zu den elektrischen Anweisungen haben, wenden Sie sich an einen qualifizierten Elektriker oder Servicetechniker.
2. Weder der Hersteller noch der Händler übernimmt Haftung für Schäden an Ofen oder Verletzungen, die infolge von Nichtbeachtung des elektrischen Anschlusses entstehen.

Das in Ihrem Mikrowellenherd verwendete Netzkabel verwendet die folgenden farblich gekennzeichneten Drähte:

Grüne und Gelb = ERDUNG

Blau = NEUTRAL

Braun = STROMFÜHREND

TECHNISCHE DATEN

Modellname:		YC-QS204A	YC-QS254A	YC-QG204A	YC-QG234A	YC-QG254A
Wechselstromversorgung		230~240 V, 50 Hz einphasig				
Sicherung/Sicherungsautomat		10 A				
Stromstärke	Mikrowelle	800 W	900 W	800 W	900 W	900 W
	Grill			1000 W	1000 W	1000 W
	Energiespar-Modus	> 0,5 W	> 0,5 W	> 0,5 W	> 0,5 W	> 0,5 W
	Benötigt Wechselstrom	1200 W	1400 W	1200 W	1400 W	1400 W
Mikrowellenfrequenz		2450 MHz*				
Außenabmessungen (B) x (H) x (T) mm		457 x 272 x 379	490 x 288 x 395	457 x 272 x 391	490 x 288 x 393	490 x 288 x 411
Garraumabmessungen (B) x (H) x (T)** mm		315 x 180 x 328	340 x 197 x 338	315 x 180 x 328	340 x 197 x 338	340 x 197 x 340
Garraumkapazität		20 Liter**	25 Liter**	20 Liter**	23 Liter**	25 Liter**
Basisabmessungen (B) x (H) x (T)** mm		262 bis 262				
Grillgestell-Maße (B) x (T) mm					294 bis 236	315 bis 308
Gewicht		ca. 11,7 kg	ca. 13,3 kg	ca. 12,4 kg	ca. 14,4 kg	ca. 14,6 kg
Garraumlühlampe (LED)		1,5 W				

*- Dieses Produkt erfüllt die Anforderungen der europäischen Norm EN55011.

Gemäß dieser Norm ist dieses Gerät als Gerät der Gruppe 2 Klasse B eingestuft.

Gruppe 2 bedeutet, dass das Gerät zweckbestimmt hochfrequente Radioenergie in Form elektromagnetischer Strahlen zur Wärmebehandlung von Lebensmitteln erzeugt. Klasse B bedeutet, das Gerät für den Einsatz im Haushalt geeignet ist.

** - Die interne Kapazität wird durch die Messung der maximalen Breite, Tiefe und Höhe berechnet. Die tatsächliche Kapazität zur Aufnahme von Lebensmitteln ist geringer. IM RAHMEN EINES BESTREBENS NACH STÄNDIGER VERBESSERUNG BEHALTEN WIR UNS DAS RECHT VOR, JEDERZEIT UND OHNE ANGABE VON GRÜNDEN, TECHNISCHE DATEN ODER DAS DESIGN ZU VERÄNDERN.

GERÄT UND ZUBEHÖR

1. Türverriegelungssystem
2. Gerätefenster
3. Drehregler und Steuertasten
4. Garraum
5. Basis, Halten Sie diese sauber und frei von Lebensmittlrückständen
6. Grillgestell für YC-QG234A und YC-QG254A
7. Grillgestell für YC-QG204A
8. Lüftungsöffnungen
9. Außenseite
10. Netzkabel

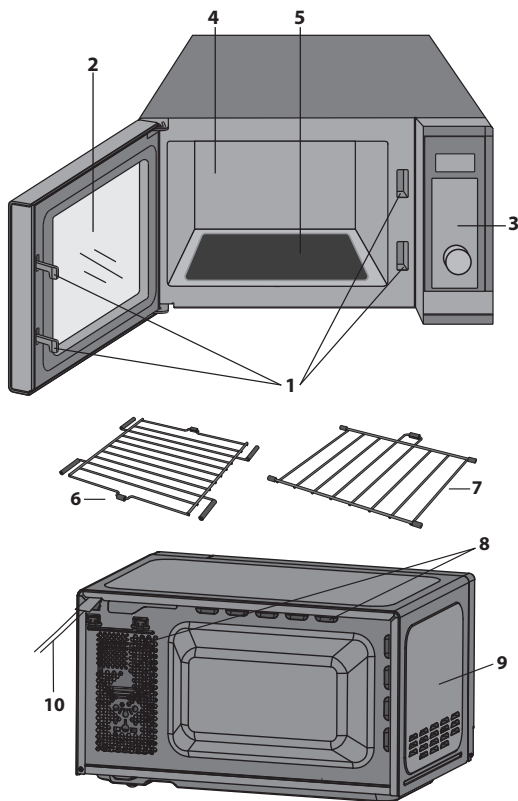
Überprüfen Sie, ob das folgende Zubehör enthalten ist:

Nur für Grillöfen:

- **Grillgestell** – nur für die Verwendung mit der Grillfunktion.
- Das Grillgestell wurde ausschließlich für die Verwendung mit Grillöfen entwickelt. Verwenden Sie den Einsatz NICHT, wenn Sie nur die Mikrowellenfunktion nutzen.
- Informationen zur Verwendung des Grillgestells finden Sie in den Abschnitten GRILL in diesem Benutzerhandbuch.
- Entfernen Sie NICHT die Muffen an den Enden des Grillgestells.

Niemals den Grill berühren, wenn dieser heiß ist.


HINWEIS: Bei der Bestellung von Zubehör teilen Sie bitte folgende Angaben mit: Name des Zubehörs und Bezeichnung des Modells.



HINWEISE:

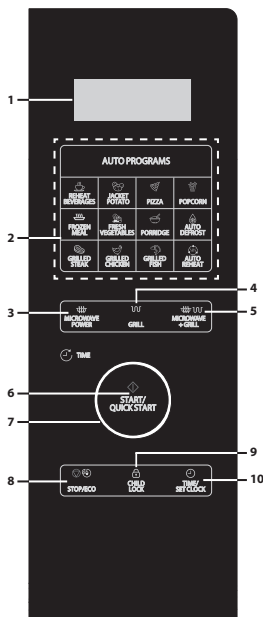
- Reinigen Sie den Garraum nach dem Garen von Lebensmitteln mit hohem Fettanteil und ohne Abdeckhaube immer sehr gründlich. Dieses muss trocken und frei von Fettrückständen sein. Akkumuliertes Fett kann sehr heiß werden und zu Rauch- oder Feuerentwicklung führen.
- Stellen Sie das Kochgeschirr bei der Verwendung der Mikrowelle immer auf Gerätebasisplatte.
- Verwenden Sie das Grillgestell NICHT bei der Funktion „Nur Mikrowelle“.



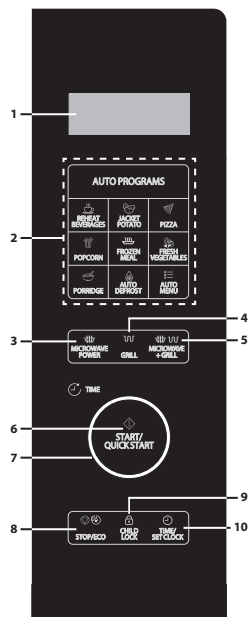
ACHTUNG:  Dieses Symbol besagt, dass die Oberflächen während der Benutzung heiß werden können. Die Tür, das Gehäuse, der Garraum, Zubehör und Geschirr werden beim Betrieb sehr heiß. Verwenden Sie immer dicke Ofenhandschuhe, um Verbrennungen zu vermeiden.

BEDIENFELD

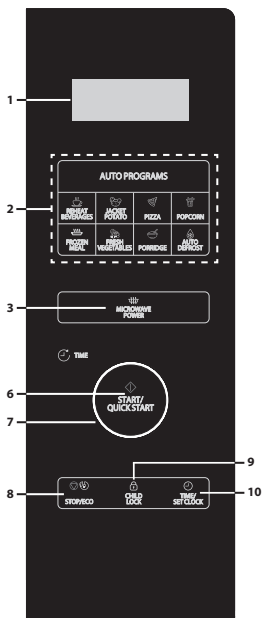
1. **DIGITALES DISPLAY (ANZEIGE)** – Es werden Kochzeit, Leistung, Anzeigen und Uhrzeit angezeigt.
2. **AUTO MENU-Tasten** – Drücken, um Autogaren-Menü auszuwählen (siehe Seite 19 für Nutzungshinweise).
3. **MICROWAVE POWER (MIKROWELLE)** – Drücken, um die Leistungsstufe der Mikrowelle auszuwählen (Seite 17).
4. **GRILL (GRILL)** – Drücken, um das Grill-Garprogramm einzustellen (Seite 18).
5. **MICROWAVE+GRILL (MIKROWELLE+GRILL)** – Drücken, um das kombinierte Mikrowellen- und Grill-Garprogramm einzustellen (Seite 18).
6. **START/QUICK START (START/SCHNELLSTART)** – (Seite 18).
7. **DREHREGLER** – Mit oder gegen den Uhrzeigersinn drehen, um die verschiedenen Funktionen einzustellen.
8. **STOP/ECO (STOPP/ÖKO)** – Einmal drücken, um das Garen vorübergehend zu unterbrechen, oder zweimal drücken, um das Garen ganz abzubrechen. Mit dieser Taste können Sie den Energiesparmodus einstellen. (Seite 20).
9. **CHILD LOCK (KINDERSICHERUNG)** – (Seite 21).
10. **TIME/SET CLOCK (UHRZEIT/UHRZEIT EINSTELLEN)** – Damit stellen Sie die Uhrzeit ein. Damit stellen Sie die Timer-Funktion ein. (Seite 16).



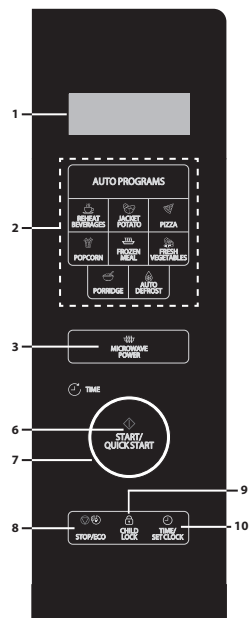
YC-QG234A, YC-QG254A



YC-QG204A



YC-QS254A



YC-QS204A

VORBEREITUNG

Wenn der Backofen zum ersten Mal angeschlossen wird, ertönt ein Signalton und auf dem Display wird „1:00“ angezeigt. Beachten Sie, dass die Uhr nicht eingestellt sein muss, damit der Backofen richtig funktioniert. Um die Uhr einzustellen, befolgen Sie die Anweisungen im Abschnitt „**Uhrzeit einstellen**“ in diesem Benutzerhandbuch. Wenn der Grill neu ist und zum ersten Mal benutzt wird, werden Rauch und Gerüche freigesetzt. Um dies beim Garen von Speisen zu vermeiden, verwenden Sie die Grillfunktion ca. 20 Minuten lang ohne Speisen.

- Nach dem Öffnen und Schließen der Tür schaltet der Backofen in den Standby-Modus. Wenn innerhalb von 1 Minute keine Taste gedrückt wird, bleibt das Display eingeschaltet und die Tasten funktionieren nicht. Um wieder in den Standby-Modus zu gelangen, öffnen und schließen Sie die Tür.
- Wenn während des Garvorgangs die Taste **STOP/ECO** einmal gedrückt wird, wird der Garvorgang unterbrochen. Um den Garvorgang wieder aufzunehmen, drücken Sie die Taste **START/QUICK START**. Wenn die Taste **STOP/ECO** zweimal gedrückt wird, wird der Garvorgang abgebrochen.
- Wenn der Backofen für eine bestimmte Funktion programmiert ist und zwischen den Tastendrücken eine Pause von mehr als 30 Sekunden liegt, kehrt der Backofen in den Standby-Modus zurück.
- Nach Beendigung eines Garvorgangs wird auf dem Display „**End**“ angezeigt und alle zwei Minuten ertönt ein Ton, bis eine Taste gedrückt oder die Tür geöffnet wird.

EINSTELLEN DER UHR

Dieses Gerät verfügt über eine Uhr, die entweder im 12- oder 24-Stunden-Modus verwendet werden kann. Um die Uhr einzustellen, befolgen Sie die nachstehenden Anweisungen:

1. Halten Sie im Standby-Modus die Taste **TIME/SET CLOCK** mindestens 3 Sekunden lang gedrückt, um in den Modus zum Einstellen der Uhr zu gelangen.
 2. Drücken Sie die Taste **TIME/SET CLOCK**, um den 12- oder 24-Stunden-Modus auszuwählen.
 3. Drehen Sie den **DREHREGLER**, um die Stunde einzustellen. Drücken Sie die Taste **TIME/SET CLOCK** um die Einstellung zu speichern.
 4. Drehen Sie den **DREHREGLER** um die Minuten einzustellen. Drücken Sie die Taste **TIME/SET CLOCK**, um zu speichern und den Uhreinstellungsmodus zu verlassen.
- Es ist nicht notwendig, die Uhr einzustellen, damit das Gerät normal funktioniert.
 - Drücken Sie im Garmodus die Taste **TIME/SET CLOCK**, um die Tageszeit (falls eingestellt) anzuzeigen. Die Uhrzeit wechselt nach fünf Sekunden zurück zum Countdown des Garvorgangs. Beachten Sie, dass die Tageszeit nicht angezeigt werden kann, wenn der Küchentimer eingestellt ist.

GAREN MIT DER MIKROWELLE

Um die Mikrowellenfunktion zu nutzen, befolgen Sie die nachstehenden Anweisungen:

1. Drücken Sie im Standby-Modus die Taste **MICROWAVE POWER**, um die Leistungsstufe zu wählen. Jedes Mal, wenn diese Taste gedrückt wird, zeigt das Display die Leistungsstufe der Mikrowelle an.
2. Wenn Sie die gewünschte Leistungsstufe gewählt haben, drehen Sie den **DREHREGLER**, um die Garzeit einzustellen.
3. Drücken Sie die Taste **START/QUICK START**, um den Garvorgang zu starten.
4. Nach Beendigung des Garvorgangs wird auf dem Display „End“ angezeigt und alle zwei Minuten ertönt ein Ton, bis eine Taste gedrückt oder die Tür geöffnet wird.

Beachten Sie, dass die nachstehende Tabelle nur zur Orientierung dient. Ihr Gerät verfügt über 10 Mikrowellenleistungsstufen. Diese sind 10%, 20%, 30%, 40%, 50%, 60%, 70%, 80%, 90% und 100%. Die tatsächliche Wattzahl kann berechnet werden, indem die Mikrowellenleistung mit dem Prozentsatz multipliziert wird.

Mikrowellengaranleitung:

Display	Mikrowellenleistung	Vorgeschlagene Nutzung
P100	100 %	Nutzen Sie diese Einstellung für schnelles Garen oder Aufwärmen für z. B. Aufläufe, heiße Getränke, Gemüse usw. verwendet.
P-80	80 %	Für feste Lebensmittel, die eine lange Garzeit erfordern, wenn sie konventionell gegart werden, wie z. B. Rindfleisch, sollte diese Leistungseinstellung verwendet werden, damit das Fleisch zart wird.
P-60	60 %	Zum längeren Garen von dichten Speisen wie Braten, Hackbraten und Plattengerichten, aber auch für empfindliche Gerichte wie Käsesauce und Biskuitkuchen.
P-40	40 %	Auftaueinstellung; wird zum Auftauen verwendet, damit Speisen gleichmäßig auftauen. Diese Stufe ist auch bestens geeignet, um Reis, Pasta und Klöße zu siedeln und Eiercreme zuzubereiten.
P-20	20 %	Wird zum schonenden Auftauen für z. B. Sahnetorten oder Blätterteig verwendet..

- Während des Garvorgangs können Sie die Leistungsstufe durch Drücken und Halten der Taste **MICROWAVE POWER** überprüfen.
- Die längste Garzeit beträgt 95 Minuten.

SCHNELLSTART

Wenn Sie mit 100 % Leistung kochen möchten, drücken Sie einfach die Taste **START/QUICK START** auf dem **DREHREGLER** während Sie sich im Standby-Modus befinden. Jedes Mal, wenn die Taste **START/QUICK START** gedrückt wird, verlängert sich die Garzeit um 30 Sekunden.

GRILLEN*

Das Heizelement des Grills im oberen Teil des Garraums hat nur eine Leistungseinstellung und ist effizient und sparsam. Der Grill ist ideal zum Garen von Speck, Gammonsteak, Fischstäbchen und Teegebäck.

Verwenden Sie das Grillgestell zum Grillen von kleinen Speisen wie Speck und Würstchen, die Sie nach der Hälfte des Grillvorgangs umdrehen. Die Speisen können direkt auf das Rost gelegt werden oder in einer Tortenform oder auf einer hitzebeständigen Platte platziert werden. Um sicherzustellen, dass kein Fett oder Öl vom Grillgut abtropfen kann, stellen Sie eine geeignete Schale unter das Grillgestell.

Zum Anbraten und Knusprigmachen der Oberfläche von Speisen in einer Auflaufform kann das Grillgestell verwendet werden, wenn der Behälter flach genug ist. Es ist jedoch ratsam, solche Behälter direkt auf die Basisplatte zu stellen, damit sie etwas länger bräunen und knusprig werden.

Um die Grillfunktion zu verwenden, befolgen Sie die nachstehenden Anweisungen:

1. Drücken Sie im Standby-Modus die Taste **GRILL**, um die Grillfunktion zu wählen. Auf dem Display wird „**Grill**“ angezeigt.
2. Drehen Sie den **DREHREGLER**, um die Garzeit zu wählen.
3. Drücken Sie die Taste **START/QUICK START**, um den Garvorgang zu starten.
4. Nach Beendigung des Garvorgangs wird auf dem Display „**End**“ angezeigt und alle zwei Minuten ertönt ein Ton, bis eine Taste gedrückt oder die Tür geöffnet wird.

* - Nur bei Grill-Modellen.

MIKROWELLE UND GRILL*

Mit der Mikrowellen- und der Grillfunktion können Sie die Speisen schnell bräunen und garen. Um die Mikrowellen- und Grillfunktion zu verwenden, befolgen Sie die nachstehenden Anweisungen:

1. Drücken Sie im Stand-by-Modus einmal oder zweimal die Taste **MICROWAVE + GRILL**, um „Co-1“ (Kombination 1) oder „Co-2“ (Kombination 2) auszuwählen.
2. Drehen Sie den **DREHREGLER**, um die Garzeit einzustellen.
3. Drücken Sie zum Starten die Taste **START/QUICK START**.
4. Nach Beendigung des Garvorgangs wird auf dem Display „**End**“ angezeigt und alle zwei Minuten ertönt ein Ton, bis eine Taste gedrückt oder die Tür geöffnet wird.

Mikrowellen- und Grillfunktion

Display	Ausgang	Vorgeschlagene Nutzung
Co-1	70 % Grill 30 % Mikrowelle.	Hähnchenstücke, Hähnchenbrust, Schweinskoteletts
Co-2	56 % Grill 44 % Mikrowelle.	Ganzes Huhn

- Die maximale Garzeit beim Grillen beträgt 95 Minuten.
- Lassen Sie während des Grillens Rauch oder Gerüche abziehen, indem Sie ein Fenster öffnen oder die Küchenlüftung einschalten. Dies ist normal und kein Gerätefehler.
- Während des Garens können Sie die aktuelle Kombinationsleistung überprüfen, indem Sie die Taste **MICROWAVE + GRILL** berühren.
- Wenn Sie die Grillfunktion verwenden, schaltet sich der Grill in regelmäßigen Abständen ein und aus, um eine Überhitzung zu vermeiden.
- Bei Verwendung der Funktion Microwave+GRILL können die Speisen in einem geeigneten Gefäß direkt auf die Basisplatte des Backofens oder auf den mitgelieferten Grillrost gelegt werden.

WARNUNG: Die Tür, das Gehäuse, der Garraum, Zubehör und Geschirr werden beim Betrieb sehr heiß. Verwenden Sie immer dicke Ofenhandschuhe, um Verbrennungen zu vermeiden.

* - Nur bei Grill-Modellen.

AUTO-MENÜ

Die Autoprogramme ermöglichen ein schnelles und effizientes Garen von Speisen mit nur wenigen Tastendrücken. Es ist nicht notwendig, die Dauer und die Kochleistung zu programmieren. Es genügt, die gewünschte Autogaren-Taste zu drücken, das Gewicht/die Stücke durch Drehen des **DREHREGLERS** einzuprogrammieren und dann die Taste **START/QUICK START** zu drücken.

Wenn Sie beispielsweise zwei Pellkartoffeln garen wollen.

1. Öffnen Sie die Tür und geben Sie das Gargut in den Ofen, wobei Sie ein für den jeweiligen Garzyklus geeignetes Geschirr verwenden müssen.
2. Schließen Sie die Tür.
3. Drücken Sie einmal die Taste **JACKET POTATO (PELLKARTOFFEL)**.
4. Drehen Sie den **DREHREGLER**, um die Anzahl der Kartoffeln einzugeben.
5. Drücken Sie die Taste **START/QUICK START**.
6. Nach Beendigung des Garvorgangs wird auf dem Display „End“ angezeigt und alle zwei Minuten ertönt ein Ton, bis eine Taste gedrückt oder die Tür geöffnet wird.

Autogar-Menüs:

Auto-Menü	Methode zur Auswahl von Gewicht oder Anzahl der Stücke	Größe/Gewicht	Auto-Programm
Tiefkühlgericht	Wählen Sie das Gewicht durch Drehen des DREHREGLERS und drücken Sie anschließend START/QUICK START , um den Garvorgang zu starten.	200 bis 800 g	-
Automatisches Entfrieren		100 bis 1800 g	-
Aufwärmen von Getränken	Wählen Sie die Anzahl der Tassen durch Drehen des DREHREGLERS und drücken Sie anschließend START/QUICK START , um den Garvorgang zu starten.	1 bis 3 Tassen (jeweils 200ml)	-
Große Pellkartoffel	Wählen Sie die Anzahl der Kartoffeln durch Drehen des DREHREGLERS und drücken Sie anschließend START/QUICK START , um den Garvorgang zu starten.	1 bis 3 Kartoffeln (jeweils 230 g)	-
Popcorn	Wählen Sie das Gewicht durch Drehen des DREHREGLERS und drücken Sie anschließend START/QUICK START , um den Garvorgang zu starten.	100 g-Schritte	-
Frisches Gemüse		200 bis 600 g	-
Pizza		150g / 300 g / 450 g	-
Haferbrei		50 bis 150 g	-
Gegrilltes Steak*		200 bis 600 g	A-1
Gegrilltes Hähnchen*		200 bis 600 g	A-2
Automatisches Aufwärmen*		200 bis 800 g	A-3
Gegrillter Fisch*		100 bis 500 g	A-4

* - Nur bei Grill-Modellen.

- Das Ergebnis des automatischen Garvorgangs hängt von Faktoren wie Form und Größe des Garguts, Ihrer persönlichen Vorliebe für den Gargrad bestimmter Speisen und der Art und Weise, wie das Gargut in den Ofen geschoben wird, ab. Wenn das Ergebnis des Garvorgangs nicht zufriedenstellend ist, passen Sie bitte die Garzeit entsprechend an.

Hinweis: Die Auto-Menü-Taste wird nur bei den Modellen YC-QG204A verwendet. Jedes Mal, wenn die Auto-Menü-Taste gedrückt wird, zeigt das Display das automatische Programm so wie in der Tabelle oben an. Wenn Sie das gewünschte Auto-Menü gefunden haben, drehen Sie den **DREHREGLER**, um das Gewicht der zu garenden Speise auszuwählen.

AUTO DEFROST (AUTOMATISCHES AUFTAUEN)

Mit dem automatischen Auftauen können Sie Lebensmittel nach Gewicht auftauen. Die Auftaudauer und die Leistungsstufe werden automatisch eingestellt, sobald die Lebensmittelkategorie und das Gewicht programmiert sind. Der Gewichtsbereich für Gefriergut reicht von 100 g bis 1800 g.

1. Drücken Sie im Standby-Modus die Taste **AUTO DEFROST**.
2. Drehen Sie den **DREHREGLER**, um das Gewichts des aufzutauenden Produkts einzustellen.
3. Drücken Sie die **START/SCHNELLSTART**-Taste, um das Auftauen zu beginnen.
4. Wenn das Gerät während des Auftauens stoppt, drehen Sie die Produkte um, um ein gleichmäßiges Auftauen zu gewährleisten, und drücken Sie dann die Taste **START/QUICK START**, um das Auftauen für die restliche Zeit fortzusetzen.
5. Nach Beendigung des Auftauvorgangs wird auf dem Display „End“ angezeigt und alle zwei Minuten ertönt ein Ton, bis eine Taste gedrückt oder die Tür geöffnet wird.

AUTOMATISCHES AUFWÄRMEN*

Das Gerät ermöglicht das Aufwärmen von Speisen auf der Grundlage des vom Benutzer eingegebenen Gewichts. Die Aufwärmdauer und die Leistungsstufe werden automatisch eingestellt, sobald die Lebensmittelkategorie und das Gewicht programmiert sind. Das Aufwärmgewicht reicht von 200 g bis 800 g.

1. Drücken Sie im Standby-Modus die Taste **AUTO REHEAT**.
2. Drehen Sie den **DREHREGLER**, um das Gewichts des aufzuwärmenden Produkts einzustellen.
3. Drücken Sie **START/QUICK START**.
4. Nach Beendigung des Garvorgangs wird auf dem Display „End“ angezeigt und alle zwei Minuten ertönt ein Ton, bis eine Taste gedrückt oder die Tür geöffnet wird.

* - Nur bei Grill-Modellen.

KÜCHENTIMER

Das Gerät ist mit einem Küchentimer ausgestattet, der ab der eingestellten Zeit herunterzählt.

1. Drücken Sie im Standby-Modus einmal die Taste **TIME/SET CLOCK**.
2. Drehen Sie den **DREHREGLER**, um die gewünschte Zeit einzustellen. Die längste Zeit beträgt 95 Minuten.
3. Drücken Sie zum Bestätigen die Taste **START/QUICK START**.
4. Die Anzeige zählt die eingegebene Zeit herunter.
5. Wenn die Anzeige Null erreicht, ertönt ein Ton.

Es ist auch möglich, den Küchentimer im Garmodus zu verwenden. Führen Sie dazu die oben beschriebenen Schritte aus, während Ihr Essen gart. Sobald der Küchentimer aktiviert ist, wird er fünf Sekunden lang auf dem Display angezeigt, dann kehrt die Anzeige zum Countdown-Timer für den Kochzyklus zurück. Um den Timer wieder anzuzeigen, drücken Sie einmal die Taste **TIME/SET CLOCK** und der Küchentimer erscheint fünf Sekunden lang, dann wird wieder der Countdown für den Garvorgang angezeigt.

- Um das **TIMER**-Programm abzubrechen, drücken Sie die Taste **STOP/ECO** und die Anzeige zeigt die Zeit an.
- Wenn ein Kochzyklus gestartet wurde, kann der Küchentimer wie oben beschrieben gestartet werden.

ENERGIESPARFUNKTION

Mit dieser Funktion kann Strom gespart werden, wenn das Gerät nicht benutzt wird. Um diese Funktion im Standby-Modus zu aktivieren, halten Sie die Taste **STOP/ECO** 3 Sekunden lang gedrückt; das Display schaltet sich aus; das Gerät geht in den Energiesparmodus über.

Um den Energiesparmodus zu beenden, drücken Sie eine beliebige Taste oder öffnen und schließen Sie die Gerätetür.

STUMM-FUNKTION

Mit der Stummschaltungsfunktion können Sie alle Töne des Mikrowellengeräts stummschalten. Um die Stummschaltung zu aktivieren, drücken Sie einmal die Taste **CHILD LOCK** und auf dem Display wird 5 Sekunden lang „**OFF**“ angezeigt. Im Stummschaltungsmodus ertönt kein Ton, wenn Tasten gedrückt werden. Um die Stummschaltung auszuschalten, drücken Sie einmal die **CHILD LOCK**-Taste. Das Display zeigt 5 Sekunden lang „**ON**“ an, um anzuzeigen, dass der Ton wieder eingeschaltet wurde. Wenn die Stummschaltfunktion eingestellt ist und das Gerät vom Stromnetz getrennt wird, wird sie aufgehoben, sobald das Netz wieder angeschlossen wird.

SICHERHEITSVERRIEGELUNG

Dies ist eine automatische Funktion, die verhindert, dass Kinder das Gerät unbeaufsichtigt bedienen. Wenn sich das Gerät im Standby-Modus befindet und innerhalb einer Minute nicht bedient wird, schaltet es automatisch in den Sicherheitsverriegelungsmodus und auf dem Display erscheint „**Loc**“. Im Verriegelungszustand sind alle Tasten deaktiviert. Wenn Sie eine beliebige Taste drücken, erscheint auf der Anzeige 5 Sekunden lang die Verriegelungsanzeige. Dies erinnert den Benutzer daran, die Verriegelungssperre aufzuheben. Um die Sicherheitsverriegelung zu deaktivieren, öffnen und schließen Sie einfach die Tür der Mikrowelle. Dann wird die Tastatur wieder aktiviert und die Anzeigeleuchte der Verriegelung schaltet sich ab.

KINDERSICHERUNG

1. Um die KINDERSICHERUNG einzustellen, halten Sie die Taste **CHILD LOCK** 3 Sekunden lang gedrückt – es ertönt ein langer Piepton und auf der Anzeige erscheint „**Loc**“. Das Gerät befindet sich jetzt im „CHILD LOCK“-Modus (Kindersicherung). Das Display zeigt in diesem Modus die Uhr an – wenn eine Taste gedrückt oder die Tür geöffnet wird, wird fünf Sekunden lang „**Loc**“ angezeigt.
2. Um die KINDERSICHERUNG abzuschalten, halten Sie die Taste **CHILD LOCK** 3 Sekunden lang gedrückt, bis ein langer Signalton erklingt.

REINIGUNG UND WARTUNG

1. Schalten Sie das Gerät aus und ziehen Sie den Netzstecker aus der Wandsteckdose, wenn Sie das Gerät reinigen.
2. Halten Sie das Innere des Ofens sauber. Sollten an den Seiten, dem Boden, der Decke der Basisplatte Lebensmittelspritzer oder verschüttete Flüssigkeiten anhaften, wischen Sie diese mit einem feuchten Tuch ab. Wenn das Gerät stark verschmutzt ist, können Sie milde Reinigungsmittel verwenden. Benutzen Sie keine Sprays und keine anderen scharfen Reinigungsmittel. Durch sie können Flecken, Streifen oder Mattierungen auf der Türoberfläche auftreten.
3. Die Außenseite des Geräts sollte mit einem feuchten Tuch gereinigt werden. Damit keine Schäden an den Betriebsteilen im Inneren des Ofens auftreten, darf kein Wasser in die Lüftungsöffnungen eindringen.
4. Wischen Sie die Tür und das Fenster auf beiden Seiten, die Türdichtungen und die anliegenden Teile regelmäßig mit einem feuchten Tuch ab, um Spritzer oder Verunreinigungen zu entfernen.
5. Verwenden Sie keine scheuernden Reinigungsmittel.
6. Nicht dampfstrahlen.
7. Achten Sie darauf, dass das Bedienfeld nicht nass wird. Reinigen Sie das Bedienfeld mit einem weichen, feuchten Tuch. Lassen Sie die Gerätetür beim Reinigen des Bedienfelds offen, damit es nicht versehentlich eingeschaltet wird.
8. Sollte sich Dampf innerhalb oder um die Außenseite der Ofentür herum ansammeln, wischen Sie mit einem weichen Tuch nach. Dies kann passieren, wenn das Mikrowellengerät bei hoher Luftfeuchtigkeit betrieben wird. Dies ist kein Defekt.
9. Sie sollten die Basisplatte regelmäßig reinigen, damit keine Verunreinigungen oder potenzielle Lichtbögen/Schäden auftreten. Wischen Sie die Unterseite des Ofens einfach mit einem milden Reinigungsmittel ab.
10. Sie können Gerüche aus Ihrem Gerät entfernen– vermischen Sie dazu eine Tasse Wasser mit dem Saft und der Schale einer Zitrone in einer mikrowellengeeigneten Schale. Erhitzen Sie das Ganze 5 Minuten lang in der Mikrowelle. Wischen Sie das Gerät anschließend gründlich ab und trocknen Sie es mit einem weichen Tuch.
11. Wenn die Glühbirne defekt ist, wenden Sie sich bitte an den Kundendienst.
12. Das Gerät sollte regelmäßig gereinigt werden. Außerdem sollten Lebensmittelrückstände regelmäßig entfernt werden. Wird das Gerät nicht in einem sauberen Zustand gehalten, kann dies zu einer Beschädigung der Oberfläche führen, was die Gebrauchsdauer des Gerätes nachteilig beeinflussen und möglicherweise zu einer Gefahrsituation führen kann.
13. Bitte entsorgen Sie dieses Gerät nicht über den Hausmüll, sondern beachten Sie die Hinweise Ihres Landes zur Entsorgung dieser Art von Produkten.

PASSENDES OFENGESCHIRR

1. Das ideale Material für ein Mikrowellengerät ist für Mikrowellen transparent. Es lässt Energie durch den Behälter fließen und erhitzt die Lebensmittel.
2. Die Mikrowelle kann kein Metall durchdringen, daher sollten keine Metallutensilien oder Geschirr mit Metallrand verwendet werden.
3. Verwenden Sie beim Garen in der Mikrowelle keine Recyclingpapierprodukte, da diese kleine Metallteile enthalten können, die Funken und/oder Brände verursachen können.
4. Es wird eher rundes/ovales als quadratisches/längliches Geschirr empfohlen, da das Essen an den Ecken zum Überkochen neigt.
5. Schmale Aluminiumfolienstreifen können verwendet werden, um ein Überkochen an freiliegenden Bereichen zu verhindern. Verwenden Sie jedoch nicht zu viel und halten Sie einen Abstand von 2,54 cm zwischen Folie und Hohlraum ein.

Die folgende Liste ist eine allgemeine Anleitung zur Auswahl der richtigen Utensilien.

Geschirr	Mikrowelle Fest	Grill	Kommentar
Bräunungsgeschirr	✓ / ✗	✗	Befolgen Sie immer die Anleitung des Herstellers. Überschreiten Sie nicht die angegebenen Erwärmezeiten. Seien Sie sehr vorsichtig, da dieses Geschirr sehr heiß wird.
Porzellan und Keramik	✓ / ✗	✗	Porzellan, Tongeschirr, glasiertes Steingut und feines Porzellan sind grundsätzlich geeignet, sofern sie kein metallisches Dekor aufweisen.
Hitzebeständiges Glas	✓	✓	Es sollte darauf geachtet werden, dass Glasgeschirr für die Verwendung in einem Mikrowellenherd geeignet ist.
Nicht-Hitzebeständiges Glas	✗	✗	
Hitzebeständige Keramik	✓	✓	Achten Sie darauf, dass das keramische Material nicht zu dick ist oder einen hohen Mineralgehalt hat.
Mikrowellengeeignetes Kunststoffgeschirr	✓	✗	Vergewissern Sie sich stets, dass das Kunststoffgeschirr für die Verwendung in einem Mikrowellenherd geeignet ist.
Küchenpapier	✓ / ✗	✗	Verwenden Sie nur Küchenpapier, das für die Verwendung in Mikrowellenherden empfohlen wird.
Glas z. B. Pyrex®	✓ / ✗	✓	Seien Sie vorsichtig bei der Verwendung von feinen Gläsern, diese können beim plötzlichen Erwärmen zerspringen.
Metalltablett	✗	✓	Verwenden Sie kein Metallgeschirr, da ein Lichtbogen entstehen und somit ein Feuer verursacht werden kann.
Metallrost	✗	✓	Verwenden Sie kein Metallgeschirr, da ein Lichtbogen entstehen und somit ein Feuer verursacht werden kann.
Alufolie Folienbehälter	✓ / ✗	✓	Kleine Stücke aus Aluminiumfolie können verwendet werden, um die Lebensmittel vor Überhitzung zu schützen. Halten Sie die Folie mindestens 2,54 cm von den Wänden des Innenraums entfernt, da Lichtbögen auftreten können. Folienbehälter werden generell nicht empfohlen, außer vom Hersteller anders angegeben, wie z.B. Microfoil®. Folgen Sie den Anweisungen sorgfältig.
Klarsichtfolie	✓	✗	Sie sollten die Lebensmittel nicht berühren und stechen Sie in diese ein, damit der Dampf entweichen kann.
Plastik/Polystyrol, z. B. Fastfood-Behälter	✓	✗	Bitte beachten Sie, dass sich einige Behälter bei hohen Temperaturen verformen, schmelzen oder ihre Farbe verändern.
Gefrier-/Bratbeutel	✓	✗	Muss zum Auslass von Dampf angestochen werden. Stellen Sie sicher, dass die verwendeten Beutel mikrowellengeeignet sind.
Pappteller/-becher und Küchenpapier	✓	✗	Verwenden Sie keine Kunststoff- oder Metall-Bindungen, da diese schmelzen können oder wegen "Lichtbögen" Feuer fangen können.
Behälter aus Stroh und Holz	✓	✗	Nur zum Aufwärmen verwenden, oder um Feuchtigkeit zu absorbieren Überhitzung kann zu Feuer führen.
Recyclingpapier und Zeitungen	✗	✗	Überwachen Sie das Gerät immer, wenn Sie diese Materialien verwenden, da eine Überhitzung zu Bränden führen kann. Kann metallische Bestandteile enthalten, die zu Lichtbögen und Bränden führen können.



WARNUNG: Beim Erhitzen von Lebensmitteln in Plastik- oder Papierbehältern müssen Sie das Gerät überwachen, da sich diese entzünden könnten.

HINWEIS: Lassen Sie das Gerät bei der Verwendung nicht unbeaufsichtigt.

MIKROWELLENGARTIPPS

Mikrowellen garen Speisen schneller als konventionelle Garweisen. Daher ist es wichtig, dass Sie bestimmte Techniken anwenden, um gute Ergebnisse zu erzielen. Viele dieser Techniken ähneln jedoch jenen, die beim konventionellen Garen verwendet werden.



WARNUNG: Flüssigkeiten oder Speisen dürfen nicht in geschlossenen Behältern oder Behältern/ Gläsern mit einem Deckel erhitzt werden, da sich darin Druck aufbauen kann. Dies kann dazu führen, dass das Gefäß/der Behälter explodiert.

GARHINWEISE:

- Lassen Sie das Gerät im Betrieb niemals unbeaufsichtigt.
- Stellen Sie sicher, dass das verwendete Geschirr mikrowelleneeignet ist.
- Verwenden Sie nur Mikrowellen-Popcorn in seiner empfohlenen Verpackung (befolgen Sie die Herstelleranweisungen). Verwenden Sie niemals Öl, außer der Hersteller empfiehlt dies ausdrücklich, und garen Sie es nie länger als empfohlen.



WARNUNG: Wenn Sie die empfohlenen Garzeiten und zu hohe Leistungsstufen verwenden, können sich Lebensmittel überhitzen, brennen und unter Umständen Feuer fangen und das Gerät beschädigen.

Anordnen

Platzieren Sie die dicksten Lebensmittel auf die Außenseite des Geschirrs, z.B. Hühnerbeine.

Lebensmittel, die auf der Außenseite des Geschirrs platziert sind, werden mehr Energie erhalten, somit schneller garen als jene in der Mitte.

Abdecken

Bei manchen Speisen ist es vorteilhaft, sie während des Garens in der Mikrowelle abzudecken.

Verwenden Sie nur mikrowelleneeignete Frischhaltefolie oder einen geeigneten Deckel

Einstechen

Lebensmittel mit einer Schale, einer Haut oder einer Membran müssen an verschiedenen Stellen eingestochen werden, bevor sie gegart oder aufgewärmt werden, denn dabei entsteht Dampf, der zum Platzen führen kann – z. B. Kartoffeln, Fisch, Hühnchen, Würstchen.

HINWEIS: Eier sollten nicht mit Mikrowellenleistung erhitzt werden. Sie könnten auch nach dem Garen noch explodieren – z. B. pochiert, gebraten, hartgekocht.

Umrühren, Wenden und Neuankordnen.

Für ein gleichmäßiges Garen ist Umrühren, Wenden und Neuankordnen von Speisen während des Garvorgangs essenziell. Führen Sie dies immer vom Rand in die Mitte durch.

Ruhen

Nach dem Garen ist eine Ruhezeit nötig, damit sich die Hitze gleichmäßig in den Lebensmitteln verteilen kann.

Lebensmittelmerkmale	
Zusammensetzung	Speisen mit einem hohen Zuckergehalt (z.B. Früchtepuddings oder gefülltes Gebäck) benötigen weniger Garzeit. Passen Sie also auf, denn Überhitzen kann zu Bränden führen. Knochen in Lebensmitteln sind Hitzeleiter, sodass das Lebensmittel schneller garen wird. Passen Sie also auf, dass die Speisen gleichmäßig garen.
Dichte	Die Lebensmitteldichte beeinflusst die benötigte Garzeit. Leicht poröse Lebensmittel, wie Kuchen oder Brot, garen schneller als schwere und dichte, wie z. B. Braten und Schmorgerichte.
Menge	Die Anzahl der Mikrowellen in Ihrem Gerät bleibt dieselbe, egal wie viel Speisen gegart werden. Die Garzeit muss daher erhöht werden, wenn die Lebensmittelmenge im Gerät zunimmt. Beispielsweise dauert das Garen von vier Kartoffeln länger als das von zwei Stück.
Größe	Kleine Lebensmittel und kleine Portionen garen schneller als größere, da die Mikrowellen von allen Seiten in ihr Inneres eindringen können. Für ein gleichmäßiges Garen, teilen Sie alles in gleich große Portionen.
Form	Lebensmittel in unregelmäßiger Form, wie Hähnchenbrust oder Hühnerbeine, benötigen für ihre dickeren Teile eine längere Garzeit. Für ein gleichmäßiges Garen, platzieren Sie die dickeren Teile auf den Rand des Geschirrs, sodass sie mehr Energie abbekommen. Runde Formen garen gleichmäßiger als viereckige Formen.
Speisentemperatur	Die Ausgangstemperatur der Lebensmittel beeinflusst die benötigte Garzeit Gekühlte Lebensmittel brauchen länger zum Garen als solche mit Zimmertemperatur. Die Temperatur des Behältnisses ist kein wirkliches Anzeichen für die Temperatur der enthaltenen Speisen oder Getränken. Schneiden sie Speisen mit Füllungen auf, wie z.B. mit Marmelade gefüllte Donuts, um Hitze oder Dampf entweichen zu lassen.



WARNUNG: Gesicht und Hände: Benutzen Sie immer Ofenhandschuhe, um Speisen oder Geschirr aus dem Gerät zu entnehmen. Treten Sie einen Schritt zurück, um Hitze und Dampf entweichen zu lassen. Wenn Sie Abdeckungen entfernen (wie z. B. Klarsichtfolie), Bratbeutel oder Popcorn-Packungen öffnen, sollten Sie den Dampf immer von Ihren Händen oder ihrem Gesicht fernhalten.



WARNUNG: Vor dem Servieren sollten Sie immer die Temperatur der Speisen und Getränke überprüfen und diese umrühren. Gehen Sie mit besonderer Vorsicht vor, wenn Sie sie Babys, Kindern oder alten Menschen servieren. Der Inhalt von Babyfläschchen und Babyernährungsgläsern müssen besonders auf ihre Temperatur vor dem Verzehr überprüft sowie umgerührt oder geschüttelt werden, um Verbrennungen zu verhindern.

AUFTAU-TIPPS

Die Verwendung Ihres Mikrowellengeräts ist die schnellste Methode zum Auftauen von Lebensmitteln. Es ist eine einfache Methode, aber die folgenden Anweisungen sind essenziell, um zu gewährleisten, dass Speisen vollständig aufgetaut werden.

- Entfernen Sie vor dem Auftauen die gesamte Verpackung.
- Um Lebensmittel aufzutauen, benutzen Sie die Mikrowellenleistungsstufen P-20 bis P-40.
- Beziehen Sie sich hierbei bitte unten auf die weiteren Informationen.

Neuanordnen

Lebensmittel, die am Rand des Geschirrs liegen, tauen schneller auf als jene in der Mitte. Deshalb sollte man sie bis zu viermal neuanordnen.

Bewegen Sie eng nebeneinander liegende Stücke am Rand in die Mitte und ordnen Sie übereinander liegende Teile neu an.

Dies wird dafür sorgen, dass alle Teile der Speisen gleichmäßig auftauen

Trennen

Lebensmittel können beim Einfrieren zusammengeklebt sein. Es ist wichtig, sie sobald wie möglich voneinander zu trennen.

z.B. Baconscheiben oder Hühnerfilets.

Abschirmen

Manche Teile des aufzutauenden Lebensmittels können warm werden. Um zu verhindern, dass sie noch wärmer werden und anfangen zu kochen, können sie mit kleinen Folienstücken abgeschirmt werden, die Mikrowellen reflektieren. Beispiele hierfür wären z.B. Hühnerbeine und Chicken Wings.

Ruhen

Ruhezeit ist nötig, um zu gewährleisten, dass die Speisen vollständig aufgetaut sind.

Das Auftauen ist nicht abgeschlossen, wenn die Speisen aus dem Gerät entnommen sind. Die Speisen müssen abgedeckt ruhen, um sicherzustellen, dass sie auch in der Mitte komplett aufgetaut sind.

Wenden

Es ist wichtig, dass alle Lebensmittel während des Auftauens bis zu 4 Mal gewendet werden.

Dies ist wichtig, damit ein sorgfältiges Auftauen gewährleistet wird.

AUFWÄRM-TIPPS

Für das Wiederaufwärmen von Speisen sollten Sie den unten angegebenen Ratschlägen und Hinweisen folgen, um sicherzustellen, dass die Speisen vor dem Servieren vollständig erwärmt sind.

Tellergerichte

Entfernen Sie Geflügel- oder Fleischstücke und erwärmen Sie diese separat, wie unten beschrieben.

Platzieren Sie kleinere Stücke in die Mitte des Tellers sowie größere und dickere an den Rand. Decken Sie sie mit mikrowelleneigneter Folie ab und erwärmen Sie die Speise auf Stufe P-50. Nach der Hälfte der Erwärmungszeit sollten Sie es umrühren bzw. neuanordnen.

HINWEIS: Stellen Sie sicher, dass die Speisen vor dem Servieren vollständig erwärmt sind.

Geschnittenes Fleisch

Decken Sie sie mit mikrowelleneigneter Frischhaltefolie ab und erwärmen Sie die Speise auf Stufe P-60. Mischen Sie es mindestens einmal neu durch, um ein gleichmäßiges Erwärmen zu garantieren.

HINWEIS: Stellen Sie sicher, dass das Fleisch vor dem Servieren vollständig erwärmt ist.

Geflügelportionen

Platzieren Sie die dicksten Teile der Portion an den Rand des Geschirrs, decken Sie sie mit mikrowelleneigneter Folie ab und erwärmen Sie sie bei Stufe P-70.

Wenden Sie die Geflügelportionen nach der Hälfte der Aufwärmphase.

HINWEIS: Stellen Sie sicher, dass das Geflügel vor dem Servieren vollständig erwärmt ist.

Schmorgerichte

Decken Sie die Schmorgerichte mit mikrowelleneigneter Folie oder einem passenden Deckel ab sowie erwärmen Sie diese Gerichte bei Stufe P-50.

Regelmäßig umrühren, um gleichmäßiges Erwärmen zu gewährleisten.

HINWEIS: Stellen Sie sicher, dass die Speisen vor dem Servieren vollständig erwärmt sind.

Um das beste Erwärmungsergebnis zu erzielen, wählen Sie eine zum Speisentyp passende Mikrowellenleistungsstufe aus. Beispielsweise sollte eine Schale Gemüse bei Stufe P-100 erwärmt werden, während eine Lasagne (die ja nicht umgerührt werden kann) bei Stufe P-40 erwärmt werden sollte.

HINWEISE:

- Nehmen Sie die Speisen aus der Folie oder Metallbehältnissen heraus, bevor Sie sie erwärmen.
- Die Erwärmungszeiten werden von der Form, Tiefe, Menge und Temperatur der Speisen und der Größe, Form und dem Material des Behälters ab.



WARNUNG: Erhitzen Sie niemals Flüssigkeiten in schmalen, hohen Gefäßen, da der Inhalt herausspritzt und zu Verbrennungen führen könnte.

- Zur Vermeidung von Überhitzung und Feuer sollte besonders vorsichtig vorgegangen werden, wenn Lebensmittel mit einem besonders hohen Zucker- oder Fettgehalt, wie z. B. gefüllte Süßspeisen oder Früchtepuddings, gegart oder aufgewärmt werden.
- Erhitzen sie niemals Fett oder Öl zum Frittieren, da dies zu Überhitzung oder Bränden führen kann.
- Dosenkartoffeln sollte nicht in einem Mikrowellengerät erhitzt werden, befolgen Sie die Herstellerangaben auf der Dose.



WARNUNG: Der Inhalt von Saugflaschen und Babynahrungsgläser muss vor dem Gebrauch geschüttelt bzw. gerührt und die Temperatur muss vor dem Verzehr geprüft werden, um Verbrennungen zu vermeiden.

FEHLERBEHEBUNG

Wenn Sie denken, dass das Gerät nicht ordentlich funktioniert, gibt es einige einfache Überprüfungen, die Sie selbst durchführen können bevor Sie den Kundendienst rufen. Dies kann Ihnen viel Aufwand ersparen, wenn es sich um einen einfachen Fehler handelt.

Führen Sie die folgende Überprüfung durch:

Geben Sie eine halbe Tasse Wasser auf die Basisplatte und schließen Sie die Tür. Stellen Sie den Timer auf 1 Minute Garzeit bei Stufe P-100.

1. Schaltet sich die Gerätelampe beim Garen ein?
2. Funktioniert der Lüfter? (Überprüfen Sie dies, indem Sie Ihre Hand über die Lüftungsöffnungen platzieren.)
3. Ertönt der Signalton nach einer Minute?
4. Ist das Wasser in der Tasse heiß?

Wenn die Antwort auf eine der Fragen „NEIN“ ist, überprüfen Sie, ob das Gerät richtig eingesteckt ist oder die Sicherung durchgebrannt ist. Wenn dies nicht der Fall ist, konsultieren Sie die folgende Tabelle.



WARNUNG: Reparieren, modifizieren oder passen Sie das Gerät niemals selbst an. Die Durchführung von Reparaturarbeiten ist für alle Personen außer den ausgebildeten SHARP-Technikern gefährlich. Dies ist insofern wichtig, da die Entfernung von Schutzabdeckungen zur Freisetzung von Mikrowellen führen kann.

- Die Türabdichtung verhindert das Austreten von Mikrowellen während des Betriebs, aber stellt keine luftdichte Dichtung dar. Daher ist es normal, Wassertropfen oder einen leichten lauwarmen Luftstrom im Türbereich zu bemerken. Aus Lebensmitteln mit einem hohen Feuchtigkeitsgehalt tritt Dampf aus, der zu Kondenswasser im Gerät führt, das aus dem Gerät heraustropfen kann.
- Reparaturen und Umbauten: Versuchen Sie nicht, das Gerät in Betrieb zu nehmen, wenn es nicht richtig funktioniert.
- Zugriff auf das Gehäuse & die Lampe: Entfernen Sie niemals das Gehäuse. Das ist extrem gefährlich, aufgrund der Präsenz von elektrisch geladenen Teilen im Innern, deren Berührung tödlich sein kann. Ihr Gerät ist nicht mit einer Lampenabdeckung versehen. Wenn die Lampe kaputtgeht, versuchen Sie nicht, sie selbstständig zu entfernen, rufen Sie den SHARP-Kundendienst.

FEHLERBEHEBUNG-DIAGRAMM

FRAGE	ANTWORT
Ein Luftzug tritt an der Tür auf.	Wenn das Gerät in Betrieb ist, zirkuliert Luft im Garraum. Die Tür ist nicht luftdicht abgeschlossen, daher kann Luft durch die Tür austreten.
Kondenswasser sammelt sich im Gerät an und kann aus der Tür heraustropfen.	Der Garraum wird normalerweise kälter als das Gargut sein und daher wird der beim Garen entstehende Dampf auf der kälteren Oberfläche kondensieren. Die entstandene Dampfmenge hängt vom Wassergehalt des Garguts ab. Manche Lebensmittel, z. B. Kartoffeln sind höchst wasserhaltig. Das Kondenswasser in der Glastür sollte nach ein paar Stunden verschwunden sein.
Blitz- oder Lichtbogenbildung im Garraum beim Garen.	Ein Lichtbogen bildet sich, wenn ein Metallobjekt während des Garens dem Garraum nahekommt. Dies kann möglicherweise die Garraumoberfläche aufrauen, aber wird sonst das Gerät nicht beschädigen.
Lichtbogenbildung bei Kartoffeln.	Stellen Sie sicher, dass Sie alle „Augen“ aus den Kartoffeln entfernt haben und die Kartoffeln eingestochen haben, dann können Sie sie direkt auf die Basisplatte in eine hitzebeständige Auflaufform o.ä. geben.
Das Gerät funktioniert nicht, wenn die Taste START/QUICK START gedrückt wird.	Überprüfen Sie, ob die Tür richtig geschlossen ist.
Gerät gart zu langsam.	Überprüfen Sie die eingestellte Leistungsstufe.
Das Gerät produziert Geräusche.	Die Mikrowellenenergie pulsiert während des Garens/Auftauens. Das Gerät gibt jede Minute einen Piepton ab und das Display zeigt „Fail“ an. Wenn die Tasten des Bedienfelds länger als 1 Minute ununterbrochen gedrückt werden, tritt dieser Fehler auf.
Das Gehäuse ist heiß.	Das Gehäuse kann warm werden, halten Sie Kinder von ihm fern.

EHE SIE UNTERSTÜTZUNG ANFORDERN

Ehe Sie einen Service anfordern, überprüfen Sie bitte jeden der folgenden Punkte:

- Vergewissern Sie sich, dass das Gerät sicher eingesteckt ist. Wenn das nicht der Fall ist, ziehen Sie den Stecker aus der Steckdose, warten Sie 10 Sekunden lang und schließen das Gerät anschließend erneut ordnungsgemäß an.
- Vergewissern Sie sich, ob eine Sicherung des Stromkreises durchgebrannt ist oder ein Hauptstromkreisunterbrecher ausgelöst wurde. Wenn diese einwandfrei zu funktionieren scheinen, überprüfen Sie die Steckdose mit einem anderen Gerät.
- Vergewissern Sie sich, dass die Drehknöpfe für Leistung und Timer richtig eingestellt sind.
- Stellen Sie sicher, dass die Tür sicher geschlossen ist und in das Türsicherungssystem einrastet. Andernfalls fließt die Mikrowellenenergie nicht in das Gerät.

WENN KEINER DER OBEN AUFGEFÜHRTEN PUNKTE DAS PROBLEM LÖSEN KANN, WENDEN SIE SICH AN EINEN GESCHULTEN TECHNIKER. VERSUCHEN SIE NICHT, DAS GERÄT SELBST ZU MODIFIZIEREN ODER ZU REPARIEREN.



Atención:

Su producto está marcado con este símbolo. Esto significa que los productos eléctricos y electrónicos usados no deberían mezclarse con los residuos domésticos generales. Existe un sistema de recogida especial para estos productos.



www.sharpconsumer.com/contact/



www.sharpconsumer.com/support/



www.sharpconsumer.com/documents-of-conformity/

A. Información sobre eliminación para particulares

1. En la Unión Europea

Atención: Si desea eliminar este equipo, no utilice el cubo de la basura habitual.

Los equipos eléctricos y electrónicos usados deben tratarse por separado de acuerdo con la legislación que requiere un tratamiento, una recuperación y un reciclaje adecuados de los equipos eléctricos y electrónicos usados.

Tras la aplicación por parte de los estados miembros, los hogares de los estados de la UE podrán devolver, sin coste alguno, sus equipos eléctricos o electrónicos usados a las instalaciones para ello designadas.*

En algunos países* el establecimiento local puede recoger el producto sin coste alguno por la compra uno nuevo similar.

*) Si desea más información, póngase en contacto con las autoridades locales.

Si sus equipos eléctricos o electrónicos usados incorporan pilas o acumuladores, elimínelos por separado con antelación siguiendo los requisitos locales. La correcta eliminación de estos productos ayuda a garantizar que los residuos sean sometidos a los procesos de tratamiento, recuperación y reciclaje adecuados, así como a prevenir los efectos negativos potenciales sobre el medio ambiente y la salud de los seres humanos resultante de una manipulación inadecuada de los residuos.

2. Países no pertenecientes a la Unión Europea

Si desea eliminar este producto, póngase en contacto con las autoridades locales para consultar el método correcto.

Para Suiza: los equipos eléctricos o electrónicos pueden devolverse al vendedor sin coste alguno, incluso si no compra ningún producto nuevo. Encontrará más información sobre los centros de recogida en la página de inicio www.swico.ch o www.sens.ch.

B. Información sobre eliminación para empresas

1. En la Unión Europea

Si el producto es utilizado para fines empresariales y desea eliminarlo: póngase en contacto con su distribuidor de SHARP, que le informará sobre la retirada del producto. Es posible que deba sufragar los costes derivados de la retirada y el reciclaje. También es posible que los centros de recogida locales acepten los productos pequeños (y en cantidades pequeñas).

Para España: póngase en contacto con el sistema de recogida establecido con la autoridad local para la retirada del producto usado.

2. Países no pertenecientes a la Unión Europea

Si desea eliminar este producto, póngase en contacto con las autoridades locales para consultar el método correcto de eliminación.

Para cuestiones de servicio diríjase a www.sharpconsumer.com/contact/ y para conocer sus derechos de garantía, diríjase www.sharpconsumer.com/support/ o póngase en contacto con el establecimiento en el que compró el producto.

Las declaraciones de conformidad está disponibles en www.sharpconsumer.com/documents-of-conformity/

PRECAUCIONES PARA EVITAR LA POSIBLE EXPOSICIÓN A LA ENERGÍA DE MICROONDAS

1. No intente utilizar este horno con la puerta abierta, ya que, de hacerlo, podría resultar expuesto a la energía de microondas. Es importante no eliminar ni manipular los cierres de seguridad,
2. No inserte ningún objeto entre la cara frontal y la puerta, ni permita que se acumulen residuos o desechos en la superficies selladas.
3. No use el horno si está dañado. Es muy importante que la puerta del horno cierre correctamente, y que ni la puerta, las bisagras, los cierres ni las juntas de la puerta y las superficies de sellado presenten daños.
4. No intente reparar ni ajustar el horno.

ÍNDICE

INSTRUCCIONES IMPORTANTES DE SEGURIDAD	3
INSTALACIÓN	11
INTERFERENCIA DE RADIO	12
INSTRUCCIONES DE TOMA DE TIERRA (MASA)	12
ESPECIFICACIONES	12
HORNO Y ACCESORIOS.....	13
PANEL DE CONTROL	14
ANTES DE UTILIZAR EL HORNO.....	15
AJUSTE DEL RELOJ	15
PREPARACIÓN DE ALIMENTOS CON LA FUNCIÓN DE MICROONDAS	16
INICIO RÁPIDO.....	17
PREPARACIÓN DE ALIMENTOS AL GRILL.....	17
MICROONDAS + GRILL*.....	17
MENÚ AUTOMÁTICO	18
DESCONGELAR AUTOMÁTICAMENTE.....	19
RECALENTAR AUTOMÁTICAMENTE*.....	19
TEMPORIZADOR DE COCINA.....	19
FUNCIÓN DE AHORRO DE ENERGÍA	19
FUNCIÓN DE SILENCIO	20
BLOQUEO DE SEGURIDAD	20
BLOQUEO PARA NIÑOS	20
LIMPIEZA Y MANTENIMIENTO.....	21
UTENSILIOS ADECUADOS PARA EL HORNO.....	22
CONSEJOS PARA PREPARAR ALIMENTOS CON EL MICROONDAS.....	23
CONSEJOS PARA DESCONGELAR.....	25
CONSEJOS PARA RECALENTAR	26
RESOLUCIÓN DE PROBLEMAS.....	27
ANTES DE LLAMAR AL SERVICIO TÉCNICO	28

* - Solo para modelos con grill.

INSTRUCCIONES IMPORTANTES DE SEGURIDAD

LEA DETENIDAMENTE Y GUARDE PARA FUTURAS REFERENCIAS

Para prevenir el peligro de fuego, no debe dejarse sin vigilancia el horno microondas durante el proceso de preparación de alimentos. Si se aplican niveles de potencia demasiado altos o periodos de preparación demasiado largos, los alimentos pueden sobrecalentarse y provocar un incendio.

Este horno se ha diseñado para usarse únicamente sobre una encimera. No se ha pensado para integrarse en una unidad de cocina. No coloque el horno dentro de un armario. La toma de corriente debe ser de fácil acceso para que la unidad pueda desconectarse fácilmente en caso de emergencia.

La toma de alimentación de CA debe ser de 230-240 V, 50 Hz, con un fusible de línea de distribución de 10 A o un disyuntor de corriente de 10 A como mínimo. Se deberá utilizar un circuito eléctrico independiente solo para este aparato.

No coloque el horno en zonas donde se genere calor, como cerca de un horno convencional. No instale el horno en áreas de alta humedad o donde se pueda acumular humedad. No guarde ni use el horno en exteriores.

Si se observa humo, apague o desconecte el horno y mantenga la puerta cerrada con el fin de sofocar las llamas.

Utilice solamente recipientes y utensilios aptos para microondas. Se deberán comprobar los utensilios para verificar que son aptos para su uso en hornos de microondas.

Al calentar alimentos en recipientes de papel o plástico, vigile el horno debido a la posibilidad de ignición.

Limpie la cubierta del guíaondas y la cavidad del horno.

Estos elementos deben estar secos y no contener grasa. La grasa acumulada puede recalentarse y provocar humo o incendios.

No coloque materiales inflamables cerca del horno o los orificios de ventilación. No bloquee los orificios de ventilación.

Extraiga todos los sellos metálicos, cierres con alambre, etc., de los alimentos y de los alimentos envasados. Los arcos eléctricos en superficies metálicas pueden provocar incendios.

No use el horno microondas para calentar aceite para freír. La temperatura no se puede controlar y el aceite puede incendiarse.

Cuando prepare palomitas de maíz, utilice solamente fabricantes especializados en palomitas para microondas.

No almacene alimentos u otros artículos dentro del horno.

Compruebe la configuración después de encender el horno para asegurarse de que el aparato funciona como se desea.

No deje el horno sin atender mientras se usa.

Para evitar el calentamiento excesivo y un posible incendio, se debe prestar atención especial al preparar o recalentar alimentos con un contenido alto de azúcar o grasa, por ejemplo, salchichas, pasteles o pudin de Navidad. Consulte las sugerencias correspondientes en el manual de funcionamiento.

Para evitar la posibilidad de lesiones. ADVERTENCIA:

No use el horno si está dañado o no funciona correctamente. Compruebe los siguientes elementos antes de usarlo:

- a) Asegúrese de que la puerta está correctamente cerrada y de que no esté desalineada o deformada.
- b) Asegúrese de que las bisagras y las cerraduras de seguridad de la puerta no están rotas ni sueltas.
- c) Asegúrese de que las juntas de las puertas y superficies de sellado no están dañadas.

- d) Asegúrese de que el interior de la cavidad del horno o la puerta no presentan abolladuras.
- e) Asegúrese de que el cable de alimentación y el enchufe no estén dañados.

Si las juntas de la puerta o la puerta están dañadas, el horno no debe utilizarse hasta que haya sido reparado por una persona competente.

No ajuste, repare ni modifique el horno. Es peligroso para cualquier persona que no esté capacitada para llevar a cabo operaciones de mantenimiento o reparación que consistan en retirar una cubierta que sirva de protección contra la exposición a la energía de microondas.

No utilice el horno con la puerta abierta ni modifique las cerraduras de seguridad de ninguna manera. No utilice el horno si hay algún objeto entre las juntas de la puerta y las superficies de sellado.

No permita que la grasa ni la suciedad se acumulen en las juntas de las puertas y las partes adyacentes. Limpie el horno con regularidad y elimine los depósitos de alimentos.

Siga las instrucciones de la sección "Cuidado y limpieza". No mantener el horno limpio podría dar lugar a que la superficie se deteriore, y podría afectar negativamente a la vida útil del aparato y originar situaciones de peligro.

Las personas con MARCAPASOS deben consultar a su médico o al fabricante del marcapasos para tomar las precauciones debidas respecto a los hornos microondas.

Para evitar la posibilidad de una descarga eléctrica.

- Bajo ninguna circunstancia se deberá desmontar la carcasa exterior.
- No derrame ni inserte objetos en las aberturas de cerradura de la puerta o los orificios de ventilación. En caso de que

se produzca un derrame, apague y desenchufe inmediatamente el aparato, y llame a un agente autorizado de servicio SHARP.

- No sumerja el cable de alimentación ni el enchufe en agua u otros líquidos.
- No deje que el cable de alimentación cuelgue de borde una mesa o superficie de trabajo.
- Mantenga el cable de alimentación alejado de superficies calientes, incluida la parte posterior del horno.
- Mantenga el aparato y el cable fuera del alcance de los niños menores de ocho años.
- No trate de cambiar la lámpara del horno personalmente ni permita que ninguna persona no autorizada por SHARP lo haga. Si la lámpara se estropea, consulte a su distribuidor o un agente autorizado del servicio SHARP.
- Si el cable de alimentación presenta algún daño, deberá ser sustituido por personal de servicio autorizado de SHARP.

ADVERTENCIA: Los líquidos y otros alimentos no deben calentarse en recipientes cerrados, ya que podrían explotar. Calentar bebidas en el microondas puede retardar la ebullición, por lo que se deberá tener cuidado al manejar el recipiente. Para evitar la posibilidad de explosión y de una ebullición repentina:

No utilice recipientes herméticos. Retire los cierres y las tapas antes de utilizarlos. Los recipientes sellados pueden explotar debido al aumento de la presión incluso una vez que el horno se haya apagado. Tenga mucho cuidado cuando caliente líquidos. Use recipientes de boca ancha para dejar escapar las burbujas.

No caliente nunca líquidos en recipientes de boca estrecha tales como biberones, ya que el contenido del envase podría salir a chorros cuando se caliente y causar quemaduras.

Para prevenir la salida repentina del líquido hirviendo y posibles quemaduras:

1. No caliente durante una cantidad excesiva de tiempo.
2. Remueva el líquido antes de calentar o recalentar.
3. Es aconsejable introducir una varilla de cristal o un utensilio similar (no metálico) en el líquido mientras se calienta.
4. Deje el líquido en reposo durante al menos 20 segundos en el horno al final del tiempo de preparación para evitar ebulliciones posteriores.

No prepare huevos con cáscara ni caliente huevos duros en el microondas, ya que pueden explotar incluso después de que el aparato haya terminado la preparación. Para preparar o recalentar los huevos que no hayan sido revueltos o mezclados, perfore las yemas y las claras. Pele y corte los huevos duros antes de calentarlos en el horno microondas.

Perfore la piel de alimentos como patatas, salchichas y frutas antes de prepararlos, ya que pueden explotar.

ADVERTENCIA: Se debe revolver y agitar el contenido de biberones y envases de alimentación para bebés, y revisar la temperatura antes de su consumo con el fin de evitar quemaduras. Utilice agarradores o guantes de cocina cuando saque los alimentos del horno para evitar quemaduras. Para evitar la posibilidad de quemaduras:

- Cuando abra recipientes, envases para preparar palomitas de maíz, bolsas de cocinar al horno, etc., mantenga la cara y las manos a una distancia prudencial para evitar quemaduras por vapor y ebullición. Para evitar quemaduras, compruebe siempre la temperatura de los alimentos, remueva antes de servir y preste especial atención a la temperatura de los alimentos y las bebidas destinados a bebés, niños o ancianos. Las piezas accesibles pueden calentarse durante el

uso. Los niños pequeños deben permanecer a una distancia prudencial.

- La temperatura de los recipientes no es un indicador real de la temperatura de los alimentos ni las bebidas; verifique siempre la temperatura de los alimentos.
- Mantenga siempre la distancia de la puerta del horno cuando se abra para evitar quemaduras por el vapor y el calor que se escapa.
- Corte los alimentos rellenos horneados después de calentar para liberar el vapor y evitar quemaduras.
- Mantenga a los niños lejos de la puerta para evitar que puedan quemarse.

ADVERTENCIA: Solo permita que los niños a partir de ocho años utilicen el horno sin supervisión cuando hayan recibido las instrucciones adecuadas para utilizarlo de una forma segura y comprendan los peligros de un uso inadecuado.

Cuando se utilice el aparato en los modos GRILL, MIX GRILL, CONVECTION, MIX CONVECTION y AUTO MENU (modo aplicable en función del modelo), los niños solo deben utilizar el horno bajo la supervisión de un adulto debido a la temperatura que se genera.

Este aparato no está diseñado para ser utilizado por personas (incluidos niños) con discapacidades físicas, sensoriales o mentales, con falta de experiencia y conocimiento, a menos que una persona responsable de su seguridad les supervise o instruya en su uso.

Se debe vigilar a los niños para asegurarse de que no jueguen con el electrodoméstico. La limpieza por parte de los niños debe supervisarse.

Los modelos con panel táctil electrónico cuentan con un modo de bloqueo.

No se apoye sobre la puerta del horno ni la balancee. No juegue con el horno ni lo utilice como un juguete.

Los niños deben aprender todas las instrucciones importantes de seguridad: el uso de agarraderas de cocina, la extracción cuidadosa de las tapas de los alimentos y prestar especial atención a los envases (por ejemplo, materiales de calentamiento automático) diseñados para hacer los alimentos crujientes, ya que pueden estar muy calientes.

Otras advertencias

No modifique el horno de ninguna manera.

No mueva el horno mientras esté en funcionamiento.

Este electrodoméstico se ha diseñado para un uso doméstico. Este horno se ha diseñado para preparar alimentos en el hogar únicamente. No es apto para uso comercial ni en laboratorios. Secar alimentos o ropa, y calentar almohadillas térmicas, zapa-tillas, esponjas, ropa húmeda u otros objetos similares puede provocar lesiones, explosión o fuego. Este horno no es apto para uso comercial ni de laboratorio.

Para fomentar el uso de su horno sin problemas y evitar daños.

Nunca utilice el horno si está vacío. Cuando utilice un plato para dorar o material de autocalentamiento, coloque siempre un aislante resistente al calor, como un plato de porcelana debajo para evitar daños en la base del horno debido al estrés por calor. No se debe exceder el tiempo de precalentamiento especificado en las instrucciones de los platos.

No utilice utensilios de metal, pues reflejan las microondas y pueden provocar arco eléctrico. No introduzca latas en el horno.

Para evitar que el plato giratorio o la base del horno se rompa:

a) Antes de limpiar con agua, deje se enfríe.

-
- b) No coloque alimentos calientes o fríos, o utensilios calientes en una base de horno o el plato giratorio frío.
- c) No coloque nada en el compartimiento exterior durante la operación.

NOTA:

No utilice contenedores de plástico para calentar en el microondas si el horno está todavía caliente después de utilizarlo en un modo de combinación (según el modelo del horno), porque podrían derretirse.

No se deben utilizar contenedores de plástico con el horno en estos modos, a menos que el fabricante del contenedor indique que resulta adecuado.

Si no está seguro de cómo conectar el horno, consulte a un electricista autorizado y certificado.

Ni el fabricante ni el distribuidor aceptan ninguna responsabilidad por averías en el horno o lesiones personales que resulten del incumplimiento del procedimiento de conexión eléctrica correcto.

Se puede formar vapor de agua o gotas de vez en cuando en las paredes del horno o alrededor de los sellos de las puertas y las superficies de sellado. Esto es normal y no un indicador de fugas o mal funcionamiento del microondas.

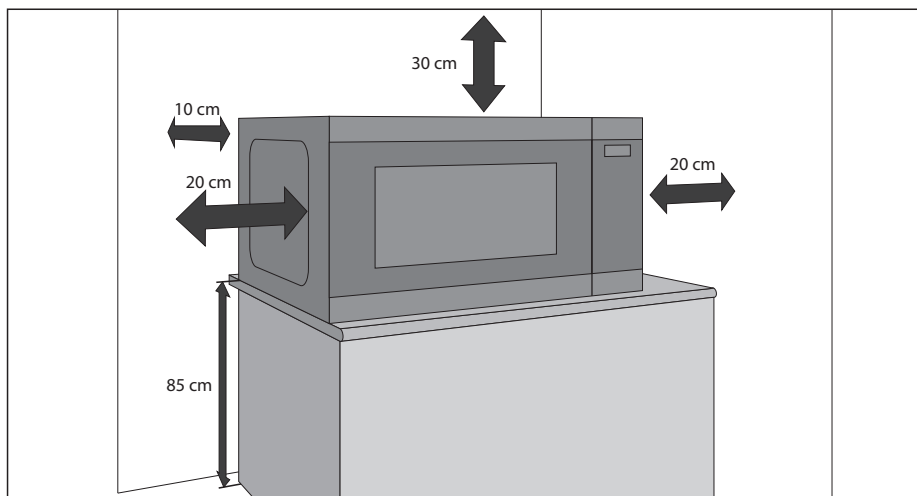
Este aparato está destinado para su uso doméstico y aplicaciones similares, tales como áreas de cocina reservadas para personal en tiendas, oficinas y otros entornos profesionales, granjas, uso por parte de clientes de hoteles, moteles y otros entornos de tipo residencial, o de tipo pensión.



Este símbolo significa que las superficies pueden calentarse durante el uso.

INSTALACIÓN

1. Retire todos los materiales de embalaje del interior del horno y cualquier película protectora que se encuentre en la superficie de la carcasa del horno microondas.
2. Revise detenidamente el horno para detectar cualquier signo de avería.
3. Coloque el horno en una superficie nivelada segura, lo suficientemente firme como para que pueda soportar el peso del horno, sumándole el artículo más pesado posible para cocinar en el horno. No coloque el horno sobre un armario.
4. Seleccione una superficie plana que proporcione suficiente espacio abierto para las rejillas de ventilación de entrada o salida. Consulte la imagen de la primera página. La superficie posterior del aparato se debe colocar contra una pared.
 - La altura mínima de la instalación es de 85 cm.
 - Se requiere un espacio mínimo de 20 cm entre las paredes del horno y las paredes u objetos adyacentes.
 - Deje un espacio de 30 cm como mínimo por encima del horno.
 - No quite las patas de la parte inferior del horno.
 - Bloquear los orificios de entrada o de salida puede provocar daños en el horno.
 - Sitúe el horno lo más alejado de radios o televisiones como sea posible. El funcionamiento del horno de microondas puede provocar interferencias en la recepción de radio o televisión.



5. Conecte de forma segura el enchufe del horno a una toma de corriente eléctrica estándar conectada a tierra.

ADVERTENCIA:

No coloque el horno en un lugar donde se genere calor, vaho o mucha humedad (por ejemplo, cerca o encima de un horno convencional), o cerca de materiales combustibles (por ejemplo, cortinas).

No bloquee ni obstruya los orificios de ventilación de aire.

No coloque objetos encima del horno.

No toque el exterior del microondas cuando esté en funcionamiento o poco después de utilizarlo porque estará caliente.

INTERFERENCIA DE RADIO

El uso del microondas puede causar interferencias en aparatos de radio, televisores u otros equipos similares. Las interferencias se pueden reducir adoptando las siguientes medidas:

1. Limpie la puerta y la cavidad en sus zonas de contacto.
2. Reoriente la dirección de la antena receptora de radio o televisión.
3. Reubique el horno con respecto al receptor.
4. Enchufe el microondas a una toma diferente de modo que el horno y el receptor no se encuentren en la misma toma de electricidad.

INSTRUCCIONES DE TOMA DE TIERRA (MASA)

Este electrodoméstico debe contar con una toma a tierra. Este horno está equipado con un cable que incluye un hilo de puesta a tierra con una patilla en el enchufe. El enchufe debe conectarse a una toma de pared correctamente instalada y con puesta a tierra. En el caso de que se produzca un cortocircuito eléctrico, la puesta a tierra reduce el riesgo de una descarga eléctrica a través de un cable de escape para la corriente eléctrica. Se recomienda utilizar un circuito separado solo para el horno.



ADVERTENCIA: El uso inadecuado del enchufe de puesta a tierra puede dar como resultado una descarga eléctrica.

NOTA:

1. Si tiene alguna duda sobre las instrucciones eléctricas o de puesta a tierra, consulte a un técnico o a un electricista certificado.
2. Ni el fabricante ni el distribuidor aceptan ninguna responsabilidad por averías en el horno o lesiones personales resultantes del incumplimiento del procedimiento de conexión eléctrica.

El cable de alimentación utilizado en su horno microondas utiliza los siguientes cables de colores:

Verde y amarillo: toma a tierra

Azul: neutro

Marrón = fase

ESPECIFICACIONES

Nombre del modelo:	YC-QS204A	YC-QS254A	YC-QG204A	YC-QG234A	YC-QG254A
Tensión de línea de CA	230~240 V, 50 Hz monofásico				
Fusible/interruptor del circuito de la línea de distribución	10 A				
Potencia: Microondas	800 W	900 W	800 W	900 W	900 W
Grill			1000 W	1000 W	1000 W
	Modo de ahorro de energía	>0,5 W	>0,5 W	>0,5 W	>0,5 W
	Potencia de CA requerida	1200 W	1400 W	1200 W	1400 W
Frecuencia de microondas	2450 MHz*				
Dimensiones exteriores (An) x (Al) x (P) mm	457 x 272 x 379	490 x 288 x 395	457 x 272 x 391	490 x 288 x 393	490 x 288 x 411
Dimensiones de la cavidad (An) x (Al) x (P)** mm	315 x 180 x 328	340 x 197 x 338	315 x 180 x 328	340 x 197 x 338	340 x 197 x 340
Capacidad del horno	20 litros**	25 litros**	20 litros**	23 litros**	25 litros**
Dimensiones la base plana (An) x (Al) x (P) mm	262 x 262				
Tamaño de la parrilla (An) x (P) mm			294 x 236	315 x 308	315 x 308
Peso	aprox. 11,7 kg	aprox. 13,3 kg	aprox. 12,4 kg	aprox. 14,4 kg	aprox. 14,6 kg
Bombilla del horno (tipo LED)	1,5 W				

* - Este producto cumple los requisitos de la norma europea EN55011. De conformidad con esta norma, este producto se clasifica como equipo de grupo 2 clase B. Grupo 2 significa que el equipo genera energía de radiofrecuencia intencionadamente en forma de radiación electromagnética para el tratamiento térmico de los alimentos. Clase B significa que el equipo se puede usar en entornos domésticos.

** - La capacidad interna se calcula midiendo la anchura, la profundidad y la altura máxima. La capacidad real de almacenaje de alimentos es inferior.

COMO PARTE DE UNA POLÍTICA DE MEJORA CONTINUA, NOS RESERVAMOS EL DERECHO DE CAMBIAR EL DISEÑO SIN PREVIO AVISO.

HORNO Y ACCESORIOS

1. Sistema de bloqueo de seguridad de la puerta
2. Ventana del horno
3. Botones de control y mando giratorio
4. Cavidad del horno
5. Base plana. Mantenga esta parte limpia y sin residuos de alimentos.
6. Parrilla para los modelos YC-QG234A y YC-QG254A
7. Parrilla para el YC-QG204A
8. Orificios de ventilación
9. Mueble exterior
10. Cable de alimentación

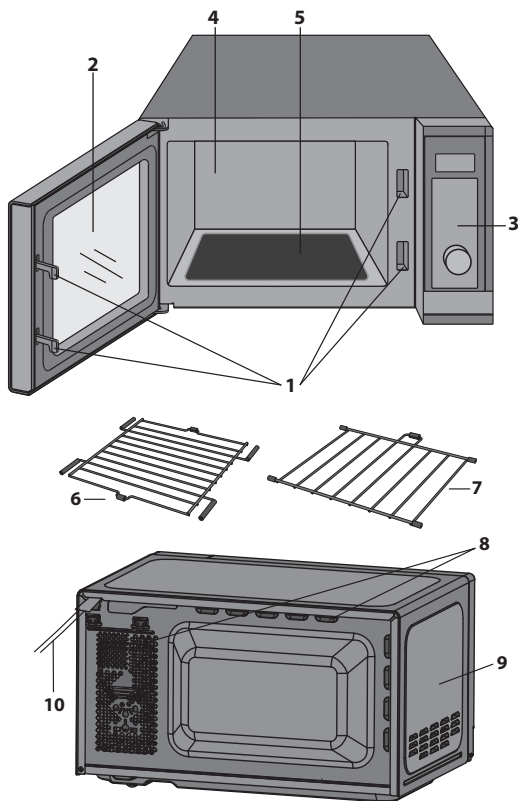
Compruebe que están incluidos los siguientes accesorios:

Solo para hornos con grill:

- **Parrilla:** para usar cuando se preparan alimentos solo con la función de grill.
- La parrilla se ha diseñado para usarse solo con hornos con grill. NO utilice la rejilla con la función de solo microondas.
- Para utilizar la parrilla consulte las secciones dedicadas a la preparación de alimentos con la función grill de este manual de usuario.
- NO retire las fundas de los extremos de la parrilla del grill.

Nunca toque el grill cuando esté caliente.

NOTA: Cuando realice pedidos de accesorios, mencione dos elementos: el nombre de la pieza y el nombre del modelo.



NOTAS:

- Después de preparar alimentos grasos sin una tapa, limpie bien siempre la cavidad; esta debe estar seca y libre de grasas. La grasa acumulada puede recalentarse y causar humo o incendiarse.
- Cuando utilice el microondas, coloque siempre los utensilios en el plato base.
- NO utilice la parrilla con la función de microondas únicamente.

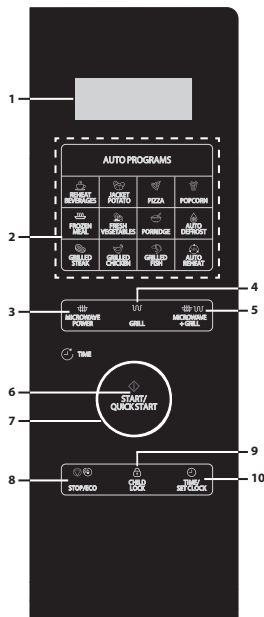


ADVERTENCIA: Este símbolo significa que las superficies pueden calentarse durante el uso.

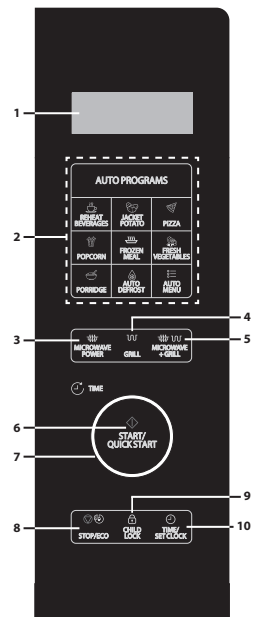
La puerta, el armario exterior, el interior del horno, los accesorios y los platos pueden alcanzar altas temperaturas durante el funcionamiento. Para prevenir quemaduras, utilice siempre guantes gruesos para horno.

PANEL DE CONTROL

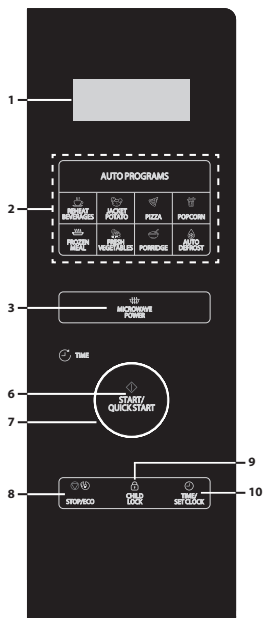
- PANTALLA DIGITAL:** muestra el tiempo de cocción, la potencia, el reloj e otros indicadores.
- Teclas de MENÚS AUTOMÁTICOS:** pulse para seleccionar un menú de cocción automático (consulte la página 18 para obtener consejos sobre su uso).
- MICROWAVE POWER (POTENCIA DE MICROONDAS):** pulse para seleccionar el nivel de potencia del microondas. (Página 16).
- GRILL** pulse para establecer el programa de preparación de alimentos al grill. (Página 17).
- MICROWAVE+GRILL (MICROONDAS+GRILL):** pulse para establecer el programa de cocción combinada de microondas y grill. (Página 17).
- START/QUICK START (INICIO/INICIO RÁPIDO):** (página 17).
- MANDO CIRCULAR:** gire hacia la derecha o hacia la izquierda para establecer varias funciones.
- STOP/ECO (PARAR/MODO ECO):** pulse una vez para detener temporalmente la cocción o dos veces para cancelar la cocción completamente. Permite establecer el modo de ahorro de energía. (Página 19).
- CHILD LOCK (BLOQUEO PARA NIÑO):** (Página 20).
- TIME/SET CLOCK (HORA/AJUSTE DEL RELOJ):** permite establecer la hora y la función de temporizador. (Página 15).



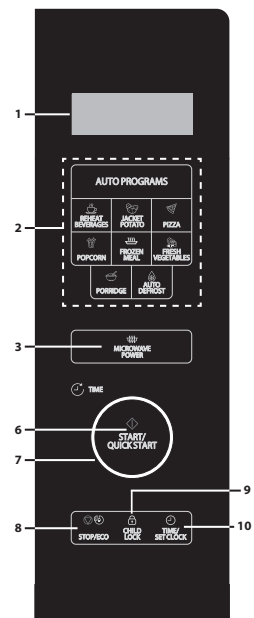
YC-QG234A, YC-QG254A



YC-QG204A



YC-QS254A



YC-QS204A

ANTES DE UTILIZAR EL HORNO

Cuando el horno se enchufa por primera vez, se oirá un pitido y la pantalla mostrará «1:00». Tenga en cuenta que no es necesario ajustar el reloj para que el horno funcione correctamente. Siga las instrucciones de la sección «**Ajuste del reloj**» de este manual de instrucciones.

La primera vez que se utilice el grill, el aparato puede despedir humo y olores. Para evitar que esto ocurra cuando se están preparando alimentos, utilice la función de grill sin alimentos durante aproximadamente 20 minutos.

- Tras abrir y cerrar la puerta, el horno entrará en modo en espera. Si no se pulsa ningún botón durante un minuto, la pantalla permanecerá encendida y los botones no funcionarán. Para volver al modo en espera, abra y cierre la puerta.
- Durante la preparación de alimentos, si se presiona el botón **STOP/ECO** una vez, el ciclo de preparación de alimentos se detendrá. Para reiniciar la preparación de alimentos, pulse el botón **START/QUICK START**. Si se pulsa el botón **STOP/ECO** dos veces, la preparación de alimentos se detendrá.
- Cuando se programe el horno para una función particular y se produzca una pausa entre las pulsaciones de los botones superior a 30 segundos, el horno volverá al modo en espera.
- Cuando se complete el ciclo de preparación de alimentos, la pantalla mostrará «**End**» (Final) y se oirá un todo cada dos minutos hasta que se pulse un botón o se abra la puerta.

AJUSTE DEL RELOJ

Este horno incorpora un reloj que se puede usar en modo de 12 o de 24 horas. Para ajustar el reloj, siga las instrucciones que se indican a continuación:

1. En modo en espera, mantenga pulsado el botón **TIME/SET CLOCK** durante al menos 3 segundos para acceder al modo de ajuste del reloj.
 2. Pulse el botón **TIME/SET CLOCK** para elegir entre el modo de reloj de 12 o de 24 horas.
 3. Gire el **MANDO CIRCULAR** para ajustar la hora. Pulse el botón **TIME/SET CLOCK** para almacenar la hora.
 4. Gire el **MANDO CIRCULAR** para ajustar los minutos. Pulse el botón **TIME/SET CLOCK** para almacenar los minutos y salir del modo de ajuste del reloj.
- No es necesario ajustar el reloj del horno para que funcione con normalidad.
 - En el modo de preparación de alimentos, pulse el botón **TIME/SET CLOCK** para ver la hora del día (si se ha ajustado). La hora del día volverá a la cuenta atrás de preparación de alimentos trascurridos cinco segundos. Tenga en cuenta que la hora del día no se puede ver si se ha establecido el temporizador de la cocina.

PREPARACIÓN DE ALIMENTOS CON LA FUNCIÓN DE MICROONDAS

Para usar la función de microondas, siga las instrucciones que se indican a continuación:

1. En el modo en espera, pulse el botón **MICROWAVE POWER** para seleccionar el nivel de potencia. Cada vez se pulse este botón, la pantalla mostrará el nivel de potencia de las microondas.
2. Una vez seleccionado el nivel de potencia de microondas deseado, gire el **MANDO CIRCULAR** para seleccionar el tipo de preparación de alimentos.
3. Pulse el botón **START/QUICK START** para iniciar la preparación de alimentos.
4. Cuando se complete el ciclo de preparación de alimentos, la pantalla mostrará «End» (Final) y se oirá un tono cada dos minutos hasta que se pulse un botón o la puerta se abra.

Tenga en cuenta las indicaciones de la tabla siguiente como guía. El horno tiene cinco niveles de potencia de microondas: 10 %, 20 %, 30 %, 40 %, 50 %, 60 %, 70 %, 80 %, 90 % y 100%. La salida de tensión actual puede calcularse multiplicando la potencia de microondas por el porcentaje.

Guía para preparar alimentos con el microondas:

Pantalla	Potencia de microondas	Uso sugerido
P100	100 %	Se utiliza para preparar o recalentar alimentos rápidamente, por ejemplo, guisos, bebidas calientes, verduras, etc.
P-80	80 %	Para alimentos densos que requieren un periodo de preparación largo cuando se preparan de manera convencional, por ejemplo, asados de carne, es recomendable utilizar esta configuración de potencia para garantizar que la carne quede tierna.
P-60	60 %	Para la preparación durante más tiempo de alimentos densos como asados, pasteles de carne y alimentos emplatados; también para platos sensibles como salsa de queso y bizcochos.
P-40	40 %	Para asegurarse de que el plato se descongela de manera uniforme, seleccione esta configuración de potencia. Este ajuste es ideal para preparar arroz, pasta, albóndigas y flan de huevo a fuego lento.
P-20	20 %	Para descongelar alimentos lentamente, por ejemplo, de pasteles de crema u hojaldre.

- Durante la preparación de alimentos, puede comprobar el nivel de potencia de cocción si mantiene pulsado el botón **MICROWAVE POWER**.
- El tiempo máximo de cocción es de 95 minutos.

INICIO RÁPIDO

Si necesita preparar alimentos a nivel de potencia 100 %, pulse simplemente el botón **START/QUICK START** del **MANDO CIRCULAR** mientras está en el modo en espera. Cada vez que pulse el botón **START/QUICK START**, se añadirán 30 segundos al tiempo de preparación de alimentos.

PREPARACIÓN DE ALIMENTOS AL GRILL

El elemento de calor del grill situado en la parte superior de la cavidad del horno solo tiene un ajuste de potencia, y es eficiente y económico. El grill es ideal para preparar beicon, filetes de jamón de cerdo, palitos de pescado y pasteles de té.

Utilice la parrilla para asar pequeñas piezas de alimentos como beicon y salchichas, dándoles la vuelta a mitad de preparación. Los alimentos se puede colocar directamente sobre la parrilla o sobre un plato de flan o en un plato resistente al calor. Para asegurarse de que no gotea grasa o aceite de los alimentos que se están preparando, coloque una bandeja adecuada debajo de la parrilla.

Al dorar o tostar la superficie de alimentos en una cazuela, se puede utilizar la parrilla si el contenedor es lo suficientemente plano. Sin embargo, se aconseja colocar este tipo de contenedores directamente sobre el plato base. Permita cierto tiempo adicional para dorar o tostar al gusto.

Para usar la función de grill, siga las instrucciones que se indican a continuación:

1. En el modo en espera, pulse el botón **GRILL** para seleccionar la función de grill. La pantalla mostrará «**Grill**».
2. Gire el **MANDO CIRCULAR** para seleccionar el tiempo de preparación de los alimentos.
3. Pulse el botón **START/QUICK START** para iniciar la preparación de alimentos.
4. Cuando se complete el ciclo de preparación de alimentos, la pantalla mostrará «**End**» (Final) y el tono se oirá cada dos minutos hasta que se pulse un botón o la puerta se abra.

* - Solo para modelos con grill.

MICRONDAS + GRILL*

El uso de la función de microondas y grill permite preparar alimentos y dorarlos rápidamente. Para usar la función de microondas y grill, siga las instrucciones que se indican a continuación:

1. En modo en espera, pulse el botón **MICROWAVE+GRILL** una o dos veces para seleccionar «Co-1» o «Co-2».
2. Gire el **MANDO CIRCULAR** para seleccionar el tiempo de preparación de alimentos.
3. Pulse el botón **START/QUICK START** para comenzar.
4. Cuando se complete el ciclo de preparación de alimentos, la pantalla mostrará «**End**» (Final) y se oirá un tono cada dos minutos hasta que se pulse un botón o la puerta se abra.

Función Microwave + Grill

Pantalla	Salida	Uso sugerido
Co-1	70 % parrilla, 30 % microondas	Despieces de pollo, pechugas de pollo Y chuletas de cerdo
Co-2	56 % parrilla, 44 % microondas	Pollo entero

- El tiempo máximo de preparación con la función de asado es 95 minutos.
- Durante la operación de asado permita que el humo y los olores se dispersen abriendo una ventana o encendiendo la ventilación de la cocina. Esto es normal y no es indicativo de avería del horno.
- Durante la preparación de alimentos, puede comprobar la combinación actual de potencia de cocción tocando el botón **MICROWAVE + GRILL**.
- Al utilizar la función de grill, el grill se activará y se desactivará a intervalos regulares para evitar el sobrecalentamiento.
- Al utilizar la función **MICROWAVE+GRILL**, los alimentos se puede situar en un contenedor adecuado directamente sobre el plato base del horno o sobre la parrilla proporcionada.

ADVERTENCIA: La puerta, el armario exterior, el interior del horno, los accesorios y los platos pueden calentarse mucho durante el uso del aparato. Para prevenir quemaduras utilice siempre guantes gruesos para horno.

* - Solo para modelos con grill.

MENÚ AUTOMÁTICO

Para su comodidad, los programas automáticos permiten preparar alimentos de forma rápida y eficiente con la pulsación de unos pocos botones. No es necesario programar la duración ni la potencia de cocción. Todo lo que necesita hacer es pulsar el botón de preparación automática de alimentos, introducir el peso o las piezas girando el **MANDO CIRCULAR** y pulsar el botón **START/QUICK START**.

Por ejemplo, para preparar dos unidades de patatas asadas.

1. Abra la puerta y coloque los alimentos dentro del horno utilizando los contenedores adecuados para el ciclo de cocción que se va a usar.
2. Cierre la puerta.
3. Pulse el botón **JACKET POTATO** (Patatas asadas).
4. Gire el **MANDO CIRCULAR** para introducir el número de patatas.
5. Pulse el botón **START/QUICK START**.
6. Cuando se complete el ciclo de preparación de alimentos, la pantalla mostrará «**End**» (Final) y se oirá un tono cada dos minutos hasta que se pulse un botón o la puerta se abra.

Menús de cocción automática:

Menú automático	Método para seleccionar el peso y las piezas	Tamaño/peso	Programas automáticos
Alimentos congelados (g)	Seleccione el peso girando el MANDO CIRUCLAR . A continuación, pulse el botón START/QUICK START para empezar a preparar los alimentos.	De 200 al 800 g	-
Descongelar automáticamente		De 100 al 1800 g	-
Recalentar bebidas	Seleccione el número de tazas girando el MANDO CIRUCLAR . A continuación, pulse el botón START/QUICK START para empezar a preparar los alimentos.	De 1 a 3 tazas (200 ml cada una)	-
Patatas asadas	Seleccione el número de patatas girando el MANDO CIRUCLAR . A continuación, pulse el botón START/QUICK START para empezar a preparar los alimentos.	De 1 a 3 patatas (230 g cada una)	-
Palomitas	Seleccione el peso girando el MANDO CIRUCLAR . A continuación, pulse el botón START/QUICK START para empezar a preparar los alimentos.	Incrementos de 100 g	-
Verduras frescas		De 200 al 600 g	-
Pizza		150 g/300 g/450 g	-
Gachas		De 50 al 150 g	-
Bistec a la parrilla		De 200 al 600 g	A-1
Pollo a la parrilla*		De 200 al 600 g	A-2
Recalentar automáticamente*		De 200 al 800 g	A-3
Pescado a la parrilla*		De 100 al 500 g	A-4

* - Solo para modelos con grill.

- El resultado de la preparación automática depende de factores como la forma y el tamaño de los alimentos, su preferencia personal en cuanto a la preparación de determinados alimentos y de cómo se dispongan los alimentos en el horno. Si descubre que el resultado no es del todo satisfactorio, ajuste el tiempo de cocción en consecuencia.

Nota: El botón de menú automático solo se utiliza en los modelos YC-QG204A. Cada vez que se pulsa el botón de menú automático, la pantalla mostrará el programa automático como se indica en la tabla anterior. Cuando encuentre el menú deseado, gire el **MANDO CIRCULAR** para seleccionar el peso de los alimentos que de desea preparar.

DESCONGELAR AUTOMÁTICAMENTE

La función de descongelación automática le permite descongelar los alimentos en función del peso. El tiempo de descongelación y el nivel de potencia se establecen automáticamente una vez que se programan la categoría de los alimentos. El peso de los alimentos congelados varía de 100 a 1800 g.

1. En el modo en espera, pulse el botón **AUTO DEFROST**.
2. Gire el **MANDO CIRCULAR** para seleccionar el peso de los alimentos que desea descongelar.
3. Pulse el botón **START/QUICK START** para iniciar el ciclo de descongelación.
4. Si el horno se detienen durante el ciclo de descongelación, dé la vuelta a los alimentos para asegurarse de descongelarlos de forma uniforme y pulse **START/QUICK START** para descongelar el tiempo restante.
5. Cuando se complete el ciclo de preparación de alimentos, la pantalla mostrará «End» (Final) y se oirá un todo cada dos minutos hasta que se pulse un botón o se abra la puerta.

RECALENTAR AUTOMÁTICAMENTE*

El horno le permite recalentar los alimentos en función del peso introducido por el usuario. El tiempo de recalentamiento y el nivel de potencia se establecen automáticamente una vez que se programan la categoría de los alimentos. El peso para recalentar varía de 200 a 800 g.

1. En el modo espera, pulse el botón **RECALENTAR AUTOMÁTICAMENTE**.
2. Gire el **MANDO CIRCULAR** para seleccionar el peso de los alimentos que desea recalentar
3. Pulse el botón **START/QUICK START**.
4. Cuando se complete el ciclo de preparación de alimentos, la pantalla mostrará «End» (Final) y se oirá un tono cada dos minutos hasta que se pulse un botón o la puerta se abra.

* - Solo para modelos con grill.

TEMPORIZADOR DE COCINA

El horno incorpora un temporizador de cocina que cuenta hacia atrás a partir del tiempo establecido.

1. En el modo en espera, pulse una vez el botón **TIME/SET CLOCK**.
2. Gire el botón **MANDO CIRCULAR** para establecer el tiempo de deseado. El tiempo máximo es 95 minutos.
3. Pulse el botón **START/QUICK START** para confirmar.
4. Aparecerá la cuenta atrás en la pantalla durante el tiempo de cocción establecido.
5. Cuando la pantalla llegue a cero, se oirá un tono.

También se puede utilizar el temporizador de cocina durante el modo de preparación de alimentos. Para ello, siga los pasos indicados anteriormente mientras se preparan los alimentos. Una vez activado el temporizador de cocina, este aparecerá en la pantalla durante cinco segundos y luego revertirá al contador de cuenta atrás durante el ciclo de preparación de alimentos. Para ver el temporizador, pulse el botón **TIME/SET CLOCK** una vez y el temporizador de cocina aparecerá durante cinco segundos, después de lo cual revertirá a la cuenta atrás de preparación de los alimentos.

- Para cancelar el programa del **temporizador**, pulse el botón **STOP/ECO** y la pantalla mostrar el tiempo.
- Si el ciclo de preparación de alimentos se ha iniciado, es posible iniciar el temporizador de cocina siguiendo los pasos indicados arriba.

FUNCIÓN DE AHORRO DE ENERGÍA

Esta función permite ahorrar energía mientras el horno no se está utilizando. Para activar esta función en estado en espera, mantenga pulsado el botón **STOP/ECO** durante tres segundos; la pantalla se apagará y el horno entrará en modo de ahorro de energía.

Para cancelar el modo de ahorro de energía, pulse cualquier botón o abra y cierre la puerta del horno.

FUNCIÓN DE SILENCIO

Es posible silenciar los tonos del microondas mediante la función de silencio. Para establecer la función de silencio, pulse el botón **CHILD LOCK** una vez que el botón muestre «**OFF**» durante cinco segundos. En el modo de silencio, no se escuchará ningún sonido cuando se pulsen los botones.

Para desactivar la función de silencio, presione el botón **CHILD LOCK** una vez, la pantalla mostrará «**on**» durante 5 segundos para indicar que el sonido se ha vuelto a activar.

Si se establece la función y el horno se desconecta de la corriente, se cancelará cuando se vuelva a reconectar la alimentación.

BLOQUEO DE SEGURIDAD

Esta es una función automática para evitar el uso del horno sin supervisión por niños. En el modo en espera, si no se realiza ninguna operación en el transcurso de un minuto, el horno entrará en modo de bloqueo de seguridad y en la pantalla aparecerá «**Loc**». En estado de bloqueo, se desactivan todos los botones. Si se pulsa un botón cualquiera, aparecerá la indicación de bloqueo en la pantalla durante cinco segundos para recordar al usuario que cancele el bloqueo de seguridad.

Para desactivar el bloqueo de seguridad, simplemente abra y cierre la puerta del microondas; el teclado numérico se volverá a activar y el indicador luminoso del bloqueo se apagará.

BLOQUEO PARA NIÑOS

1. Para establecer la función de bloqueo para niños, mantenga pulsado el botón **CHILD LOCK** durante tres segundos. Se oirá un pitido largo, la pantalla mostrará «**Loc**» y el horno pasará a modo de bloqueo para niños. En este modo, la pantalla mostrará el reloj. Si se pulsa algún botón o se abre la puerta se mostrará «**Loc**» en la pantalla durante cinco segundos.
2. Para cancelar la función de bloqueo para niños, mantenga pulsado el botón **CHILD LOCK** durante tres segundos hasta que suene un pitido largo.

LIMPIEZA Y MANTENIMIENTO

1. Apague el horno y desconecte el cable de la toma de corriente cuando vaya a limpiarlo.
2. Mantenga limpia la parte interior del horno. Limpie con un paño húmedo las paredes del horno si se producen salpicaduras o se derraman líquidos de alimentos en los lados, la parte superior o el plato base. Se pueden utilizar detergentes suaves si el horno se ensucia mucho. Evite utilizar limpiadores abrasivos o aerosoles, pues podrían dejar manchas, rayar o deslustrar la superficie de la puerta.
3. La parte exterior del horno debe limpiarse con un paño húmedo. Para evitar dañar los componentes internos del horno, no debe filtrarse agua a través de las aperturas de ventilación.
4. Limpie frecuentemente la puerta y la ventana en ambos lados, las juntas de la puerta y las partes adyacentes con un paño húmedo para eliminar derramamientos y salpicaduras.
5. No utilice un limpiador abrasivo.
6. No utilice limpiadores a vapor
7. No permita que el panel de control se humedezca. Limpie con un paño suave y húmedo. Cuando limpie el panel de control, deje abierta la puerta para evitar que el horno se encienda accidentalmente.
8. Si se acumula calor dentro o alrededor de la puerta del horno, límpielo con un paño suave. Esto puede ocurrir si el horno es utilizado en entornos de alta humedad. No se trata de un fallo.
9. El plato base del horno debe limpiarse regularmente para evitar contaminación y posibles arcos voltaicos o daños. Limpie simplemente la superficie inferior del horno con un detergente suave.
10. Elimine los olores del horno mezclando una taza de agua con el zumo y la piel de un limón en un cuenco adecuado para microondas. Caliente durante cinco minutos. A continuación, limpie y seque bien con un paño suave.
11. Si la bombilla deja de brillar, póngase en contacto con el servicio técnico para recabar consejo.
12. El horno debe limpiarse de manera regular y se deben eliminar todos los depósitos de alimentos. No mantener el horno limpio podría dar lugar a un deterioro de la superficie, y podría afectar negativamente a la vida útil del aparato y originar situaciones de peligro.
13. No elimine este aparato con la basura doméstica; consulte las normas de eliminación para este tipo de productos aplicables en su país.

UTENSILIOS ADECUADOS PARA EL HORNO

1. El material ideal para los utensilios del microondas es transparente a las microondas, pues permite que la energía traspase el contenedor y caliente el alimento.
2. Las microondas no pueden atravesar el metal, por lo que no deben utilizarse utensilios de metal ni platos con acabado de metal.
3. No utilice productos de papel reciclado al cocinar con microondas, ya que pueden contener pequeños fragmentos de metal que podrían causar chispas o un incendio.
4. Se recomienda el uso de platos redondos u ovalados en lugar de cuadrados o alargados, ya que los alimentos de las esquinas tienden a cocerse en exceso.
5. Se pueden utilizar láminas de aluminio en tiras para evitar la cocción excesiva de áreas expuestas. Pero tenga cuidado de utilizar demasiadas y de mantener una distancia de 2,54 cm entre el aluminio y la cavidad.

La siguiente lista es una guía general para ayudarle a seleccionar los utensilios correctos.

Utensilios de cocina	Microondas Seguro	Grill	Comentario
Platos para dorar	✓ / ✗	✗	Siga siempre las instrucciones del fabricante. No exceda los tiempos de calentamiento que se indican. Tenga mucho cuidado ya que estos platos se calientan mucho.
Porcelana y cerámica	✓ / ✗	✗	Los utensilios de porcelana, cerámica, loza de barro esmaltada y porcelana fina son generalmente adecuados, a excepción de aquellas con decoración metálica.
Cristal resistente al calor	✓	✓	Asegúrese de utilizar cristalería adecuada para hornos microondas.
Cristal no resistente al calor	✗	✗	
Cerámicas no resistentes al calor	✓	✓	Asegúrese de que el material cerámico no es demasiado grueso o que incorpore un alto contenido mineral.
Plato de plástico seguro para su uso en microondas	✓	✗	Asegúrese siempre de que los utensilios de cocina de plástico son adecuados para horno microondas.
Papel de cocina	✓ / ✗	✗	Utilice solo papel de cocina recomendado para microondas.
Cristalería, por ejemplo, Pyrex®	✓ / ✗	✓	Se debe tener cuidado si se utiliza cristalería fina, ya que puede romperse o agrietarse si se calienta bruscamente.
Bandeja de metal	✗	✓	No se recomienda usar utensilios de metal, ya que crearían un arco eléctrico y provocar un incendio.
Parrilla metálica	✗	✓	No se recomienda usar utensilios de metal, ya que crearían un arco eléctrico y provocar un incendio.
Papel de aluminio Los recipientes de aluminio	✓ / ✗	✓	Se pueden utilizar trozos pequeños de papel de aluminio para proteger los alimentos contra el sobrecalentamiento. Mantenga el papel al menos a 2,54 cm de distancia de las paredes del horno, ya que puede producirse arco eléctrico. Los recipientes de aluminio no son recomendables a menos que los especifique el fabricante, por ejemplo, Microfoil®, siga las instrucciones cuidadosamente.
Film transparente	✓	✗	No se deben tocar los alimentos y deben perforarse para permitir dejar salir el vapor.
Plástico/poliestireno, por ejemplo recipientes de comida rápida	✓	✗	Se debe tener cuidado con algunos recipientes, ya que pueden deformarse, derretirse o descolorarse con las altas temperaturas.
Bolsas para congelar/asar	✓	✗	Se deben perforar para dejar salir el vapor. Asegúrese de que las bolsas son adecuadas para su uso en microondas.
Platos de papel, tazas y papel de cocina	✓	✗	No utilice ataduras de plástico o metal, ya que pueden derretirse o incendiarse debido al 'arco eléctrico'.
Recipientes de madera y paja	✓	✗	Utilizar únicamente para calentar o para absorber la humedad. Se debe tener cuidado, ya que el sobrecalentamiento puede provocar un incendio.
Papel reciclado y periódicos	✗	✗	Vigile siempre el horno cuando se utilizan estos materiales, ya que el sobrecalentamiento puede ocasionar un incendio. Puede contener extractos de metal que pueden causar "arco eléctrico" y puede provocar un incendio.



ADVERTENCIA: Al calentar alimentos en recipientes de papel o plástico, vigile el horno debido a la posibilidad de ignición.

NOTA: No deje el horno sin atender mientras lo usa.

CONSEJOS PARA PREPARAR ALIMENTOS CON EL MICROONDAS

Los microondas preparan los alimentos de manera más rápida que los métodos convencionales de cocina. Por lo tanto, es muy importante seguir determinadas técnicas para garantizar buenos resultados. Muchas de las técnicas siguientes se parecen a las que se usan en los métodos convencionales de cocina.



ADVERTENCIA: Los líquidos y alimentos no deben calentarse en recipientes sellados ni en tarros o recipientes con la tapa puesta, ya que se acumulará presión en el interior, lo que podría provocar la explosión del recipiente o tarro.

NOTAS SOBRE LOS CONSEJOS PARA COCINAR:

- Vigile siempre el horno mientras lo utiliza.
- Asegúrese de que los utensilios sean adecuados para hornos microondas.
- Utilice exclusivamente palomitas para microondas en el envase recomendado (siga las instrucciones del fabricante). Nunca debe utilizar aceite, a menos que el fabricante así lo indique, y nunca debe preparar las palomitas durante más tiempo del recomendado.



ADVERTENCIA: Si supera los tiempos de cocción recomendados y utiliza niveles de potencia demasiado altos, los alimentos se podrían calentar en exceso o quemar, y en situaciones extremas podrían incendiarse y dañar el horno.

Colocar

Coloque las partes más gruesas de los alimentos hacia el exterior del plato, p. ej., los muslos de pollo. Los alimentos que se colocan hacia el exterior del plato reciben más energía y, por lo tanto, se preparan más rápidamente que los alimentos colocados en el centro.

Tapar

Algunos alimentos se preparan mejor en el microondas si se tapan. Utilice film transparente ventilado de adherencia o una tapa adecuada.

Perforar

Los alimentos con cáscara, piel o membrana se deben perforar en varios puntos antes de cocinarlos o recalentarlos, ya que, de lo contrario, se acumularía vapor y podrían explotar. Por ejemplo, de las patatas, el pescado, el pollo y las salchichas.

NOTA: Los huevos no deben calentarse en el microondas porque podrían explotar, incluso después de prepararse, p. ej., huevos escalfados, fritos o duros.

Remover, girar y volver a colocar

Para conseguir una cocción uniforme es muy importante remover, girar y volver a colocar los alimentos durante la cocción. Siempre debe remover y volver a colocar desde el exterior hacia el centro.

Reposo

Deje un período de reposo tras la preparación para permitir que el calor se disperse de manera uniforme a través de todos los alimentos.

Características de los alimentos	
Composición	Los alimentos con un contenido alto en grasa o azúcares (p. ej., púdinges o pasteles rellenos) requieren menos tiempo para calentarse. Se debe tener cuidado con ellos, ya que el sobrecalentamiento puede provocar un incendio. Los huesos de los alimentos son conductores de calor y hacen que los alimentos se cocinen más rápidamente. Se debe tener cuidado para que los alimentos se cocinen de manera uniforme.
Densidad	La densidad de los alimentos influye en el tiempo de cocción necesario. Los alimentos ligeros o porosos, como los bizcochos o el pan, se cuecen más rápidamente que los alimentos pesados y densos, como los asados de carne y los guisos.
Cantidad	El número de microondas del horno es el mismo, sea cual sea la cantidad de alimentos que se esté preparando. Se debe aumentar el tiempo de cocción a medida que aumente la cantidad de alimentos; por ejemplo, cuatro patatas tardan más tiempo en cocinarse que dos.
Tamaño	Los alimentos y los trozos pequeños se preparan más rápidamente que los grandes, ya que las microondas pueden penetrar desde todos los lados hacia el centro. Para conseguir una cocción uniforme, prepare todos los alimentos con el mismo tamaño.
Forma	Los alimentos de forma irregular, como las pechugas o los muslos de pollo, tardan más tiempo en prepararse en las partes más gruesas. Para conseguir una cocción uniforme, coloque las partes más gruesas en el exterior del plato, donde recibirán más energía. Las formas redondas se preparan en el microondas de manera más uniforme que las cuadradas.
Temperatura de los alimentos	La temperatura inicial de los alimentos influye en el tiempo de cocción necesario. Los alimentos fríos tardan más tiempo en cocinarse que los alimentos a temperatura ambiente; La temperatura del recipiente no es un parámetro fiable de la temperatura del alimento o la bebida. Haga cortes en los alimentos rellenos, por ejemplo, un donut relleno de mermelada, para liberar el calor o el vapor.



ADVERTENCIA: Rostro y manos: utilice siempre guantes de horno para retirar los alimentos o recipientes del horno. Apártese al abrir la puerta del horno para que se disperse el calor o vapor. Al quitar un recubrimiento (por ejemplo, film transparente) o al abrir bolsas de asado o envases de palomitas, aparte el rostro y las manos de la dirección del vapor.



ADVERTENCIA: Compruebe la temperatura de los alimentos y las bebidas, y remueva antes de servir. Tenga mucho cuidado con los alimentos para bebés, niños o personas mayores. Debe remover o agitar el contenido de los biberones y los tarros de comida para bebés, y debe comprobar la temperatura de los alimentos antes de consumirlos, para evitar quemaduras.

CONSEJOS PARA DESCONGELAR

Usar el microondas es el método para descongelar más rápido. Es un proceso sencillo, pero es muy importante que siga las instrucciones que se indican a continuación para garantizar que los alimentos se descongelen bien.

- Retire todos los envases y envoltorios antes de descongelar.
- Para descongelar alimentos, utilice los niveles de potencia del microondas P-20 o P-40.
- Consulte a continuación para obtener más información.

Recolocar

Los alimentos colocados hacia el exterior del plato se descongelan más rápidamente que los alimentos dispuestos en el centro. Por lo tanto, es muy importante recolocar los alimentos hasta cuatro veces durante el descongelado.

Mueva los trozos que estén muy encajados desde el exterior hacia el centro, y recoloque las partes que se solapen. De esta manera, todas las partes de los alimentos se descongelarán de manera uniforme.

Separar

Los alimentos pueden quedarse pegados al sacarlos del congelador. Es importante separar los alimentos lo antes posible durante el descongelado, p. ej., tiras de beicon o filetes de pollo.

Cubrir

Algunas partes de los alimentos que se estén descongelando pueden calentarse. Para evitar que se calienten demasiado y empiecen a cocerse, se pueden cubrir con papel de aluminio, que reflejan las microondas; p. ej., las patas y las alas de pollo.

Reposo

Es necesario un tiempo de reposo para garantizar que los alimentos se descongelen bien.

La descongelación no finaliza una vez que se retiran los alimentos del horno microondas. Los alimentos deben permanecer, tapados, durante un tiempo para garantizar que el centro se descongele completamente.

Girar

Es muy importante girar todos los alimentos al menos cuatro veces durante el proceso de descongelación. Esto es importante para garantizar una descongelación adecuada.

CONSEJOS PARA RECALENTAR

Para recalentar alimentos, siga las instrucciones y recomendaciones que se indican a continuación, a fin de garantizar que los alimentos se calientan bien antes de servirlos.

Platos de comida

Retire cualquier pieza de ave o carne roja, y caliente esas piezas por separado (véase más abajo).

Coloque los trozos más pequeños en el centro del plato y los trozos más grandes y gruesos en el borde. Cubra los alimentos con film transparente ventilado para microondas y recalíentelos a nivel P-50. Remueva o recolóque los alimentos cuando haya transcurrido la mitad del tiempo.

NOTA: Asegúrese de que los alimentos se hayan calentado bien antes de servirlos.

Carne en lonchas

Tape la carne con film transparente ventilado para microondas y caliente a nivel P-60. Recoloque la carne al menos una vez para garantizar que se caliente de manera uniforme.

NOTA: Asegúrese de que la carne se haya calentado bien antes de servirla.

Porciones de ave

Coloque las partes más gruesas de las porciones en el exterior del plato, cúbralas con film transparente ventilado para microondas y caliente a nivel P-70.

Dé la vuelta hacia la mitad del proceso de calentamiento.

NOTA: Asegúrese de que la carne de ave se haya calentado bien antes de servirla.

Guisos

Cubra con film transparente ventilado para microondas o con una tapa adecuada y caliente a nivel P-50.

Remueva con frecuencia para garantizar que los alimentos se calienten de manera uniforme.

NOTA: Asegúrese de que los alimentos se hayan calentado bien antes de servirlos.

Para conseguir los mejores resultados al recalentar, seleccione un nivel de potencia de microondas adecuado para el tipo de alimento. Por ejemplo, un plato de verduras se puede calentar a nivel P-100, mientras que una lasaña, que contiene ingredientes que no se pueden remover, se debe calentar a nivel P-40.

NOTAS:

- Antes de recalentar los alimentos, sáquelos de los recipientes metálicos o del papel de aluminio.
- En el tiempo de recalentamiento influyen la forma, la profundidad, la cantidad y la temperatura de los alimentos, así como el tamaño, la forma y el material del recipiente.



ADVERTENCIA: No caliente nunca líquidos en recipientes de boca estrecha, ya que el contenido podría salir a chorros del recipiente y causar quemaduras.

- Para evitar que los alimentos se calienten demasiado y que se produzcan incendios, se debe prestar especial atención al preparar o recalentar alimentos con un contenido alto de azúcar o grasa, por pasteles rellenos o púdines.
- Nunca debe calentar aceite o grasa para freír, ya que se podrían producir un calentamiento excesivo y fuego.
- Las patatas en conserva no se deben calentar en un horno microondas; siga las instrucciones del envase.



ADVERTENCIA: El contenido de biberones y tarros de comida para bebés se debe remover o agitar, y se debe comprobar la temperatura de los alimentos antes de consumirlos a fin de evitar quemaduras.

RESOLUCIÓN DE PROBLEMAS

Si cree que el horno no funciona correctamente, puede llevar a cabo unas sencillas comprobaciones antes de llamar a un técnico. De esta forma, puede evitar llamadas innecesarias al servicio, en caso de que el fallo se deba a algo sencillo.

Siga estas sencillas comprobaciones:

Coloque una taza de agua en el plato base y cierre la puerta. Establezca el temporizador para funcionar durante un minuto a potencia P-100 del microondas.

1. ¿Se enciende la lámpara del horno cuando el agua cuece?
2. ¿Funciona el ventilador de refrigeración? (Compruébelo colocando la mano sobre las salidas de ventilación).
3. Transcurrido un minuto, ¿suena la señal acústica?
4. ¿Está caliente el agua de la taza?

Si la respuesta a alguna de estas preguntas es negativa, compruebe primero que el horno está enchufado correctamente y que el fusible no se ha fundido. Si el cable está bien enchufado y el fusible no se ha fundido, consulte la tabla de resolución de problemas siguiente.



ADVERTENCIA: Nunca ajuste, repare o modifique el horno por su cuenta. Para cualquier persona que no tenga los conocimientos adecuados, es peligroso llevar a cabo operaciones de mantenimiento o reparación. Esto es importante, ya que puede requerir la retirada de cubiertas que proporcionan protección contra la energía de microondas.

- La junta de la puerta evita que se filtren líquidos del microondas durante el funcionamiento del horno, pero no ofrece un sellado hermético. Es normal observar gotas de agua, luz o sentir aire caliente alrededor de la puerta del horno. Los alimentos con un alto contenido de humedad despedirán vapor o generarán condensación dentro de la puerta, lo que puede formar gotas fuera del horno.
- Reparaciones y modificaciones: no intente utilizar el microondas si no funciona correctamente.
- Carcasa exterior y acceso a la lámpara: no retire nunca la carcasa exterior. Esto es muy peligroso debido a las piezas de alta tensión internas que no deben tocarse nunca, porque su contacto podría causar la muerte. El horno no integra una cubierta de acceso a la lámpara. Si la lámpara falla, no intente sustituirla. Llame al servicio técnico homologado de SHARP.

TABLA DE RESOLUCIÓN DE PROBLEMAS

CONSULTA	RESPUESTA
Corrientes de aire alrededor de la puerta.	Cuando el horno está en funcionamiento, el aire circula alrededor de la cavidad. La puerta no está sellada herméticamente, por lo que el aire puede escaparse.
En el horno se forma condensación y puede dar lugar a la formación de gotas en la puerta.	Por lo general, la cavidad del horno estará más fría que los alimentos cocinados; por lo tanto, el vapor generado al preparar alimentos se condensará en la superficie más fría. La cantidad de vapor generado depende del contenido en agua del alimento preparado. Algunos alimentos, como las patatas, tienen un gran contenido en humedad. La condensación atrapada en el cristal de la puerta se disipará en unas horas.
Se observan destellos y arcos voltaicos en la cavidad al preparar los alimentos.	Se producen arcos voltaicos cuando un objeto metálico se sitúa cerca de la cavidad del horno durante la cocción. Esto puede causar abrasión de la superficie de la cavidad, pero no producirá ningún daño al horno.
Asar patatas.	Retire todas las raíces de las patatas, pínchelas y colóquelas directamente sobre el plato base o en un recipiente plano resistente al calor o similar.
El horno no funciona cuando se pulsa el botón START/ QUICK START.	Asegúrese de que la puerta está correctamente cerrada.
El horno preara los alimentos demasiado despacio.	Asegúrese de que corrija el nivel de potencia seleccionado.
El horno hace ruido.	Los impulsos de la energía de microondas se activan y desactivan durante los procesos de cocción y descongelación. El horno emitirá un pitido cada minuto y mostrará «Fail» (Error) en la pantalla. Si se pulsan los botones del panel de control continuamente durante más de un minuto, se producirá este error.
La carcasa exterior está caliente.	La carcasa exterior puede calentarse al tacto. Mantenga a los niños a los niños lejos.

ANTES DE LLAMAR AL SERVICIO TÉCNICO

Antes de solicitar asistencia, consulte los siguientes elementos:

- Asegúrese de que el horno está correctamente enchufado a la corriente. Si no es así, retire el enchufe, espere 10 segundos, y vuelva a enchufarlo bien.
- Compruebe si hay algún fusible fundido o si saltó un disyuntor de corriente. Si estos elementos parecen no presentar problemas, pruebe la toma con otro aparato.
- Asegúrese de que los mandos de potencia y del temporizador están correctamente establecidos.
- Asegúrese de que la puerta está bien cerrada con el sistema de bloqueo activado. De lo contrario, la energía de las microondas no fluirá en el horno.

SI NO SE SOLUCIONA LA SITUACIÓN CON NINGUNA DE LAS ACCIONES ANTERIORES, PÓNGASE EN CONTACTO CON UN TÉCNICO CERTIFICADO. NO INTENTE AJUSTAR NI REPARAR EL HORNO PERSONALMENTE.



Atenção:

O seu produto está marcado com este símbolo. Significa que os produtos elétricos e eletrónicos usados não devem ser misturados com o lixo doméstico geral. Existe um sistema de recolha específico para estes produtos.



[www.sharpconsumer.com/
contact/](http://www.sharpconsumer.com/contact/)



[www.sharpconsumer.com/
support/](http://www.sharpconsumer.com/support/)



[www.sharpconsumer.com/
documents-of-conformity/](http://www.sharpconsumer.com/documents-of-conformity/)

A. Informações sobre a Eliminação para os Utilizadores (particulares)

1. Na União Europeia

Atenção: Se quiser eliminar este equipamento, não use um caixote do lixo comum!

O equipamento elétrico e eletrónico usado tem de ser tratado em separado e de acordo com a legislação que requer um tratamento, recuperação e reciclagem adequados de equipamento elétrico e eletrónico usado.

No seguimento da implementação pelos estados membros, os agregados domésticos privados nos estados da UE devem entregar o seu equipamento elétrico e eletrónico usado num local designado para a sua recolha, sem qualquer custo*.

Em alguns países* o seu vendedor local pode também receber o seu produto antigo, sem qualquer custo, se adquirir um outro semelhante.

*) Contacte as entidades locais para mais informações.

Se o seu equipamento elétrico ou eletrónico usado tiver pilhas ou pilhas recarregáveis, elimine-as previamente em separado de acordo com as exigências locais. Ao eliminar corretamente este produto estará a ajudar a garantir que os resíduos recebem o tratamento, recuperação e reciclagem necessários e, assim, evita potenciais efeitos negativos sobre o meio ambiente e a saúde humana que, de outro modo, poderiam surgir devido ao manuseamento incorreto dos resíduos.

2. Em outros países fora da UE

Se pretende desfazer-se deste produto, contacte, por favor, as suas autoridades locais e informe-se sobre o método de eliminação correto.

Para a Suíça: O equipamento elétrico e eletrónico usado pode ser devolvido ao comerciante, sem qualquer custo, mesmo que não adquira um novo produto. Os locais de recolha adicionais encontram-se listados na página principal de www.swico.ch ou www.sens.ch.

B. Informações sobre a Eliminação de Produtos para Utilizadores-Empresas

1. Na União Europeia

Se o produto é utilizado para fins comerciais e se pretende desfazer-se dele: Agradecemos que contacte o seu revendedor SHARP que o informará sobre como devolver o produto. Podem ser-lhe cobrados custos resultantes da devolução e reciclagem. Produtos pequenos (e pequenas quantidades) podem ser devolvidos nos locais de recolha da sua zona.

Para a Espanha: Agradecemos que contacte o sistema de recolha instituído ou a sua autoridade local para a devolução dos seus produtos usados.

2. Em outros países fora da UE

Se pretende desfazer-se deste produto, contacte, por favor, as suas autoridades locais e informe-se sobre o método de eliminação correto.

Para assistência técnica, veja www.sharpconsumer.com/contact/, para os seus direitos da garantia, vá a www.sharpconsumer.com/support/ ou contacte o revendedor onde comprou o produto.

As declarações de conformidade encontram-se disponíveis a partir de www.sharpconsumer.com/documents-of-conformity/

PRECAUÇÕES PARA EVITAR POSSÍVEIS EXPOSIÇÕES À ENERGIA DAS MICRO-ONDAS

1. Não tente usar este forno com a porta aberta, pois isso pode provocar uma exposição danosa à energia das micro-ondas. É importante não derrotar ou adulterar os bloqueios de segurança.
2. Não insira nada entre a parte da frente do forno e a porta, nem permita a acumulação de sujidade ou resíduos do produto de limpeza nas superfícies de vedação.
3. Não use o forno se estiver danificado. É muito importante que a porta do forno se feche devidamente e que não haja nenhum dano nas portas, dobradiças, fechos ou nas vedações da porta e superfícies de vedação.
4. Não tente reparar ou ajustar o forno.

CONTEÚDOS

INSTRUÇÕES DE SEGURANÇA IMPORTANTES.....	3
INSTALAÇÃO.....	11
INTERFERÊNCIA DE RÁDIO.....	12
INSTRUÇÕES DE LIGAÇÃO À TERRA.....	12
ESPECIFICAÇÕES.....	12
FORNO E ACESSÓRIOS.....	13
PAINEL DE CONTROLO.....	14
ANTES DE USAR O FORNO.....	15
ACERTAR O RELÓGIO.....	15
COZINHAR COM MICRO-ONDAS.....	16
INÍCIO RÁPIDO.....	17
COZINHAR COM O GRILL*.....	17
MICRO-ONDAS+GRILL *.....	17
MENU AUTOMÁTICO.....	18
DESCONGELAR AUTOMÁTICO.....	19
REAQUECER AUTOMÁTICO*.....	19
TEMPORIZADOR DE COZINHA.....	19
FUNÇÃO DE POUPANÇA DE ENERGIA.....	19
FUNÇÃO DE SILENCIAR.....	20
BLOQUEIO DE SEGURANÇA.....	20
BLOQUEIO DE CRIANÇAS.....	20
LIMPEZA E MANUTENÇÃO.....	21
LOIÇA PRÓPRIA PARA O FORNO.....	22
CONSELHOS DE CULINÁRIA DO MICRO-ONDAS.....	23
CONSELHOS SOBRE DESCONGELAR.....	25
CONSELHOS SOBRE REAQUECER.....	26
RESOLUÇÃO DE PROBLEMAS.....	27
ANTES DE LIGAR À ASSISTÊNCIA TÉCNICA.....	28

INSTRUÇÕES DE SEGURANÇA IMPORTANTES

LEIA COM ATENÇÃO E GUARDE PARA REFERÊNCIA FUTURA

Para evitar o perigo de incêndio. O forno micro-ondas não deve ser deixado sem vigilância enquanto estiver a funcionar. Níveis de potência demasiado elevados ou tempo de cozedura demasiado longo podem sobreaquecer os alimentos, provocando um incêndio.

Este forno foi projetado para ser usado apenas numa bancada. Não foi projetado para ser encastrado numa unidade de cozinha. A tomada elétrica tem de estar acessível rapidamente, para que a unidade possa ser facilmente desligada da corrente em caso de emergência.

O cabo de alimentação CA deve ser de 230-240 V, 50 Hz, com um mínimo de 10 A do fusível de distribuição ou um mínimo de 10 A do disjuntor de distribuição. Deve ser fornecido um circuito separado que sirva apenas este eletrodoméstico.

Não coloque o forno em zonas onde se produza muito calor, por exemplo, junto a um forno tradicional. Não instale o forno numa zona de grande humidade ou onde se possam acumular gotas de água. Não guarde nem use o forno no exterior.

Caso observe fumo, desligue ou desconecte da parede o forno e mantenha a porta fechada, de forma a abafar quaisquer chamas.

Use apenas recipientes e utensílios próprios para micro-ondas. Os utensílios devem ser verificados para se certificar de que são adequados ao uso em fornos micro-ondas.

Quando aquecer alimentos em recipientes de plástico ou papel, controle o forno devido à possibilidade de ignição.

Limpe capa do guia de ondas e a cavidade do forno. Estas devem estar secas e sem gordura. A gordura acumulada

pode provocar sobreaquecimento e deitar fumo ou pegar fogo.

Não coloque materiais inflamáveis perto do forno ou das aberturas de ventilação. Não bloqueie as aberturas de ventilação.

Retire todos os selos metálicos, arames, etc., da comida e de embalagens de comida. O arco elétrico nas superfícies metálicas pode provocar um incêndio.

Não use o forno micro-ondas para aquecer óleo para fritar. A temperatura não pode ser controlada e o óleo pode pegar fogo.

Para fazer pipocas, use apenas embalagens próprias para fazer pipocas no micro-ondas.

Não guarde comida ou quaisquer outros objetos dentro do forno.

Verifique as definições quando iniciar o forno para ter a certeza que o forno está a funcionar como desejado.

Não deixe o forno sem vigilância durante o funcionamento.

Para evitar sobreaquecimento e fogo é necessário ter cuidado especial ao cozinhar ou reaquecer alimentos com muito açúcar ou teor de gordura, por exemplo, salsichas, tartes ou pudins. Veja as dicas correspondentes no manual de utilização.

Para evitar o risco de lesões. ATENÇÃO:

Não use o forno caso este esteja danificado ou a funcionar mal. Verifique o seguinte antes de o usar:

- a) Certifique-se de que a porta se fecha devidamente e que não está desalinhada ou deformada.
- b) Verifique que as dobradiças e os fechos de segurança da porta não estão partidos ou soltos.
- c) Veja-se de que as vedações da porta e da superfície não foram danificadas.

- d) Certifique-se de que no interior da cavidade do forno ou a porta não há brechas.
- e) Certifique-se de que o cabo de alimentação e a tomada não estão danificados.

Caso a porta ou as vedações da porta estejam danificadas, o forno não deve ser posto em funcionamento até ter sido reparado por uma pessoa competente.

Nunca ajuste, repare ou modifique o forno sozinho. É arriscado para qualquer pessoa que não seja uma pessoa competente para tal levar a cabo qualquer tipo de operação que envolva a remoção de uma capa que protege da exposição a energia das micro-ondas.

Não opere o forno com a porta aberta nem altere os fechos de segurança da porta de nenhum modo. Não opere o forno se houver algum objeto entre as vedações da porta e as vedações da superfície.

Não permita que se acumule gordura ou sujidade nas vedações da porta e nas peças adjacentes. Limpe o forno regularmente e remova todos os depósitos de comida.

Siga as instruções em "Cuidados e Manutenção". A falta de limpeza do forno leva à deterioração da superfície que afetará adversamente a vida da máquina e poderá criar situações perigosas

Pessoas com PACEMAKERS devem aconselhar-se com o seu médico ou com o fabricante do pacemaker sobre regras de segurança com fornos micro-ondas.

Para evitar a possibilidade de choques elétricos

- Nunca em nenhum momento remova a cobertura exterior.
- Não derrame ou insira nenhum objeto nas ranhuras dos ganchos da porta ou nas aberturas de ventilação. Em caso de derrame, desligue e desconecte imediatamente o forno

da corrente elétrica e chame um agente da assistência técnica autorizado SHARP.

- Não submerja o cabo de alimentação ou a tomada em água ou qualquer outro líquido.
- Não deixe o cabo de alimentação pendurado à beira de uma mesa ou superfície de trabalho.
- Mantenha o cabo de alimentação longe de superfícies quentes, incluindo o motor do forno.
- Mantenha o aparelho e o cabo fora do alcance de crianças com menos de 8 anos.
- Não tente substituir a lâmpada do forno sozinho e não permita que alguém que não seja um eletricista autorizado pela SHARP o faça. Se a lâmpada do forno se fundir, por favor contacte o seu revendedor ou a assistência técnica autorizada SHARP.
- Se o cabo de alimentação estiver danificado, terá de ser substituído por um agente autorizado da SHARP.

ATENÇÃO: Os líquidos e outros alimentos não devem ser aquecidos em recipientes fechados, pois podem explodir. O aquecimento de bebidas no micro-ondas pode provocar uma erupção de ebulição tardia; por este motivo, deve ter-se cuidado ao manusear o recipiente. Para evitar a possibilidade de explosão e ebulição repentina:

Nunca use recipientes selados. Remova os selos e tampas antes de usar. Os recipientes selados podem explodir devido à pressão criada, mesmo depois do forno ter sido desligado. Tenha cuidado quando aquecer líquidos no micro-ondas. Use um recipiente com abertura larga para permitir que as bolhas saiam.

Nunca aqueça líquidos num recipiente com gargalo estreito, como biberons, pois isto pode provocar uma erupção do conteúdo do recipiente quando estiver quente e provocar queimaduras.

Para evitar uma erupção espontânea de um líquido a ferver e eventuais queimaduras:

1. Não use tempo excessivo.
2. Mexa o líquido antes de o aquecer/reaquecer.
3. Aconselha-se a inserir uma vareta de vidro ou semelhante (não metálica) dentro do líquido quando o reaquecer.
4. Deixe o líquido descansar por, pelo menos, 20 segundos no forno após o fim do tempo de cozedura para evitar uma erupção de bolhas tardia.

Não cozinhe ovos com casca e igualmente ovos cozidos não devem ser aquecidos no forno micro-ondas, pois podem explodir mesmo depois do forno ter parado de trabalhar. Para cozinhar ou reaquecer ovos que não tenham sido mexidos, perfure a gema e a clara. Descasque e corte os ovos cozidos antes de os reaquecer no forno micro-ondas.

Perfure a pele de alimentos, tais como batatas, salsichas e fruta antes de cozinhar, pois estes podem explodir.

ATENÇÃO: O conteúdo de biberons e boiões com comida de bebé têm de ser mexidos ou agitados e a temperatura tem de ser verificada antes de ser consumida, para evitar queimaduras. Use pegas ou luvas para o forno quando remover os alimentos do forno para evitar queimaduras.

- Abra sempre os recipientes, sacos de pipocas, sacos para cozinhar no forno, etc., longe do rosto e mãos para evitar queimaduras por vapor e a erupção de ebulição. Para evitar queimaduras, verifique sempre a temperatura dos alimentos e mexa antes de servir. Preste especial atenção à temperatura dos alimentos e bebidas dados a bebés, crianças e idosos. As peças acessíveis podem ficar quentes durante a utilização. As crianças pequenas devem ser mantidas à distância.
- A temperatura do recipiente não é a verdadeira temperatura

da comida ou bebida; verifique sempre a temperatura da comida.

- Afaste-se sempre quando abrir a porta do forno para evitar queimaduras de vapor ou calor que saia do interior.
- Corte em fatias alimentos assados antes de os aquecer para soltar o vapor e evitar queimaduras.
- Mantenha as crianças afastadas da porta para evitar que se queimem.

ATENÇÃO: Permita às crianças com 8 ou mais anos usar o forno sem supervisão apenas quando tenham sido dadas instruções adequadas para que a criança consiga usar o forno de forma segura e compreenda os perigos de uma utilização imprópria.

Quando o eletrodoméstico for usado nos modos GRILL, MIX GRILL, CONVECÇÃO, MIX CONVECÇÃO e MENU AUTOMÁTICO, as crianças só deverão usar o forno com supervisão de um adulto devido às temperaturas geradas.

Este aparelho não foi feito para ser usado por pessoas (incluindo crianças) com capacidades físicas, sensoriais e mentais reduzidas, ou com falta de experiência e conhecimentos, a não ser que esteja uma pessoa responsável pela sua segurança a supervisionar ou a dar instruções relativas ao uso do aparelho.

As crianças devem ser supervisionadas de modo a garantir que não brincam com o aparelho. A limpeza feita por crianças deve ser supervisionada.

Os modelos com painel tátil eletrónico vêm com um modo de bloqueio de crianças.

Não se apoie ou balance na porta do forno. Não brinque com o forno nem o utilize como um brinquedo.

Deve-se ensinar às crianças todas as instruções de segurança importantes: o uso de pegas, o retirar com cuidado as cobertu-

ras dos alimentos, prestando especial atenção às embalagens (por exemplo, materiais que se aquecem sozinhos) feitas para tornar a comida estaladiça, pois podem estar particularmente quentes.

Outros avisos

Nunca modifique o forno de nenhuma maneira.

Não mova o forno quando este estiver a funcionar.

Este forno destina-se apenas para ser usado num ambiente doméstico. Destina-se à preparação de alimentos em casa e apenas pode ser usado para cozinhar alimentos e bebidas. A secagem de alimentos ou vestuário e o aquecimento de bolsas térmicas, pantufas, esponjas, panos húmidos e semelhantes pode levar ao risco de lesões, ignição ou fogo. Não é adequado para uso comercial ou num laboratório.

Para promover o uso sem problemas do seu forno e evitar problemas.

Nunca use o forno quando este estiver vazio. Quando usar um prato de barro ou material que aqueça sozinho, coloque sempre por baixo um isolante resistente ao calor, como um prato de porcelana, para prevenir danos na base do forno devido à tensão do calor. O tempo de pré-aquecimento especificado nas instruções da loiça não deve ser excedido.

Não use utensílios metálicos, pois estes reflectem as micro-onas e podem causar arcos elétricos. Não coloque latas dentro do forno.

Para evitar que o prato giratório ou a base do forno se quebrem.

- a) Antes de limpar com água, deixe arrefecer.
- b) Não coloque alimentos quentes ou fios, ou utensílios quentes num prato giratório/base do forno frios.
- c) Não coloque nada na parte exterior durante o funcionamento.

NOTA:

Não utilize recipientes de plástico para o micro-ondas se o forno ainda estiver quente depois da utilização de um modo combinado (depende do modelo do forno), pois podem derreter.

Os recipientes de plástico não devem ser utilizados nos modos acima mencionados, a não ser que o produtor do recipiente diga que são adequados.

Caso tenha dúvidas sobre a forma como ligar o seu forno, consulte um electricista autorizado e qualificado.

Nem o fabricante, nem o revendedor podem aceitar qualquer responsabilidade por estragos no forno ou danos pessoais resultantes da inobservância dos procedimentos corretos de ligação elétrica.

É possível que se forme ocasionalmente vapor ou gotas de água nas paredes do forno ou à volta das vedações da porta e da superfície. Isto é normal e não significa nenhuma falha ou mal funcionamento do micro-ondas.

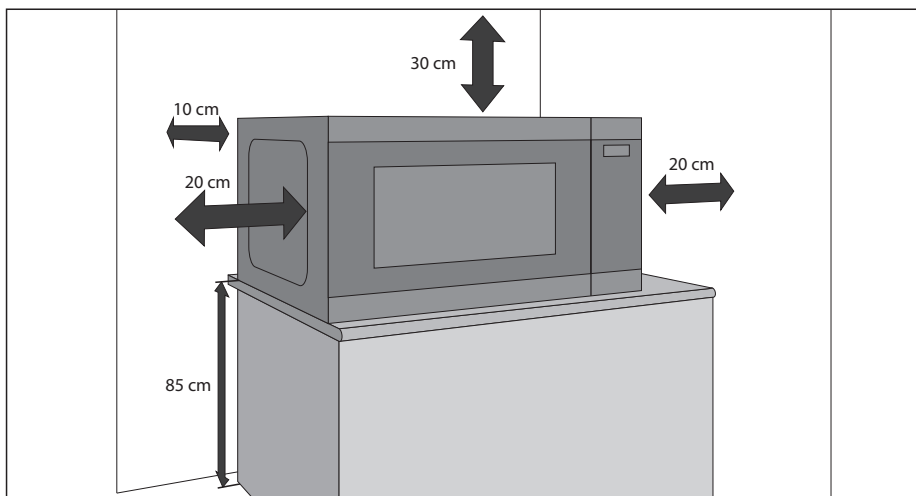
Este eletrodoméstico destina-se a ser usado num ambiente doméstico e aplicações semelhantes, tais como: áreas de cozinha reservadas para o pessoal em lojas, escritórios e outros ambientes profissionais / quintas / uso de clientes em hotéis, motéis e outros ambientes de tipo residencial / ambientes do estilo de pousadas.



Este símbolo significa que as superfícies podem ficar quentes durante o uso.

INSTALAÇÃO

1. Retire todo o tipo de embalagens de dentro da cavidade do forno e retire todas as películas de proteção que encontrar na superfície da cabine do micro-ondas.
 2. Verifique cuidadosamente se o forno tem sinais de estragos.
 3. Coloque o forno numa superfície segura, nivelada e suficientemente forte para suportar o peso do forno juntamente com o da peça mais pesada que pensa cozinhar no forno. Não coloque o forno num recipiente fechado.
 4. Escolha uma superfície nivelada com espaço suficiente para as entradas e/ou saídas de ar. Veja a imagem na primeira página. A superfície traseira do aparelho deve ser colocada em frente a uma parede.
- A altura mínima de instalação é de 85 cm.
 - É necessário haver um espaço mínimo de 20 cm entre os lados do forno micro-ondas e quaisquer paredes ou objetos adjacentes.
 - Deixe um espaço mínimo de 30 cm por cima do forno.
 - Não remova os pés da base do forno.
 - Bloquear a abertura de entrada e/ou saída pode danificar o forno.
 - Coloque o forno tão longe de rádios e televisores quanto possível. O funcionamento do forno micro-ondas pode provocar interferências na receção de rádio ou televisão.



5. Conecte de forma segura a ficha do forno a uma tomada elétrica (com ligação à terra) normal de uso doméstico.

ATENÇÃO:

Não coloque o forno em locais onde se gere calor, orvalho ou muita humidade (por exemplo, perto ou por baixo de um forno convencional) ou perto de materiais combustíveis (por exemplo, cortinas).

Não bloqueie nem obstrua as aberturas da saída de ar.

Não coloque objetos em cima do forno.

Não toque no exterior do forno micro-ondas durante ou logo após o funcionamento, pois pode estar quente.

INTERFERÊNCIA DE RÁDIO

A utilização do micro-ondas pode interferir com o seu rádio, televisão ou equipamento semelhante. Quando houver interferência, esta pode ser reduzida ou eliminada seguindo as seguintes medidas:

1. Limpe a porta e a cavidade no sítio onde se juntam.
2. Mude a direção da antena de receção do rádio ou televisão.
3. Mude a localização do forno micro-ondas em relação ao recetor.
4. Ligue o forno micro-ondas a uma tomada diferente, para que este e o recetor não estejam no mesmo circuito de corrente.

INSTRUÇÕES DE LIGAÇÃO À TERRA

Este eletrodoméstico tem de ter ligação à terra. Este forno vem equipado com um cabo com um fio de ligação à terra, com uma ficha de ligação à terra. Tem de ser ligada a uma tomada que tenha sido devidamente instalada e ligada à terra. No caso de haver um curto-circuito elétrico, a ligação à terra reduz o risco de choque elétrico, fornecendo um fio de escape para a corrente elétrica. Recomenda-se a instalação de um circuito separado apenas para o forno.



ATENÇÃO: A utilização inadequada da ficha de ligação à terra pode provocar um risco de choque elétrico.

NOTA:

1. Se tiver algumas questões sobre a ligação à terra ou as instruções elétricas, consulte um electricista qualificado ou uma pessoa da assistência técnica.
2. Nem o fabricante, nem o revendedor podem aceitar qualquer responsabilidade por estragos no forno ou lesões pessoais resultantes da inobservância dos procedimentos corretos de ligação elétrica.

A ligação à rede usada no seu forno micro-ondas usa fios com os seguintes códigos de cores:

Verde e amarelo = TERRA

Azul = NEUTRO

Castanho = VIVO

ESPECIFICAÇÕES

Nome do modelo:	YC-QS204A	YC-QS254A	YC-QG204A	YC-QG234A	YC-QG254A	
Tensão da Linha AC	230–240 V, 50 Hz monofásico					
Fusível de linha de distribuição/disjuntor	10 A					
Potência:	Micro-ondas	800 W	900 W	800 W	900 W	900 W
	Grill			1000 W	1000 W	1000 W
	Modo de poupança de energia	>0,5 W	>0,5 W	>0,5 W	>0,5 W	>0,5 W
	Potência CA requerida	1200 W	1400 W	1200 W	1400 W	1400 W
Frequência das Micro-ondas	2450 MHz*					
Dimensões Exteriores (L) x (A) x (P) mm	457 x 272 x 379	490 x 288 x 395	457 x 272 x 391	490 x 288 x 393	490 x 288 x 411	
Dimensões da cavidade (L) x (A) x (P) mm	315 x 180 x 328	340 x 197 x 338	315 x 180 x 328	340 x 197 x 338	340 x 197 x 340	
Capacidade do Forno	20 litros**	25 litros**	20 litros**	23 litros**	25 litros**	
Dimensões da plataforma (L) x (A) x (P) mm	262 x 262					
Tamanho da grelha do grill (L) x (P) mm			294 x 236	315 x 308	315 x 308	
Peso	aprox. 11,7 kg	aprox. 13,3 kg	aprox. 12,4 kg	aprox. 14,4 kg	aprox. 14,6 kg	
Lâmpada do forno (de tipo LED)	1,5 W					

* - Este produto cumpre os requisitos da norma europeia EN55011. Em conformidade com este requisito, o produto é classificado como equipamento do grupo 2 classe B. O grupo 2 significa que o equipamento gera intencionalmente energia com frequência de rádio, em forma de radiação eletromagnética para o tratamento de alimentos por calor. Equipamento de classe B significa que o equipamento é adequado para ser usado em ambientes domésticos.

** - A capacidade interna calcula-se medindo a largura, profundidade e altura máximas. A capacidade real para os alimentos é menor.

COMO PARTE DA POLÍTICA DE CONTÍNUAS MELHORIAS, RESERVAMO-NOS O DIREITO DE ALTERAR O DESENHO E AS ESPECIFICAÇÕES SEM AVISO PRÉVIO.

FORNO E ACESSÓRIOS

1. Sistema de bloqueio de segurança da porta
2. Janela do forno
3. Marcador giratório e botões de controlo
4. Cavidade do forno
5. Plataforma, mantenha-a limpa e sem depósitos de comida
6. Grelha do grill do YC-QG234A e YC-QG254A
7. Grelha do grill do YC-QG204A
8. Aberturas de ventilação
9. Estrutura exterior
10. Cabo de alimentação

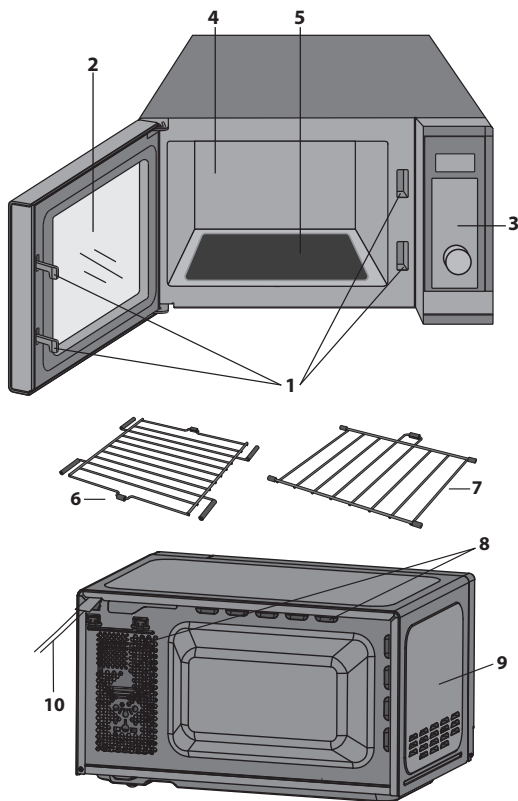
Verifique que os seguintes acessórios são fornecidos:

Apenas fornos com grill:

- **Grelha do grill** – para usar apenas com a função do grill.
- A grelha do grill foi projetada para usar apenas com fornos com grill. NÃO use a grelha quando usar a função de apenas micro-ondas.
- Sobre o uso da grelha do grill, veja a secção GRILL no manual do utilizador.
- NÃO remova as proteções das pontas da grelha do grill.

Nunca toque no grill quando este estiver quente

NOTA: Quando encomendar acessórios, refira estes dois itens: o nome da peça e o nome do modelo.



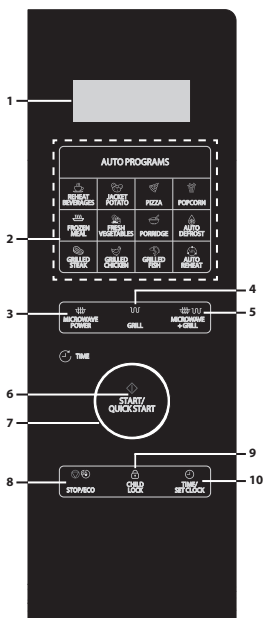
NOTAS:

- Depois de cozinhar comida gordurosa sem cobertura, limpe sempre devidamente a cavidade. Esta deve estar seca e sem gordura. A gordura acumulada pode causar sobreaquecimento e começar a deitar fumo ou a arder.
- Quando usar as micro-ondas, coloque sempre loiça na placa da base.
- NÃO USE a grelha do grill apenas com a função de micro-ondas.

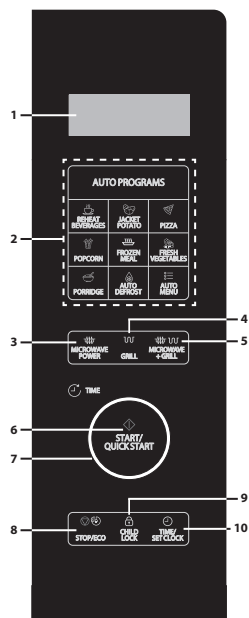
⚠ ATENÇÃO: ⚠ Este símbolo significa que as superfícies podem ficar quentes durante a utilização. A porta, o compartimento exterior, a cavidade do forno, os acessórios e pratos ficarão muito quentes durante a operação. Para evitar queimaduras, use sempre luvas almofadadas de cozinha.

PAINEL DE CONTROLO

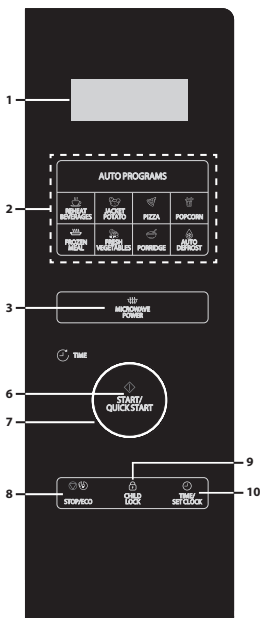
- 1. MOSTRADOR DIGITAL** - São apresentados o tempo de cozedura, a potência, os indicadores e a hora.
- 2. Botões do MENU AUTOMÁTICO** - Carregue para selecionar o menu de cozedura automática. (Veja a página 18 para obter conselhos sobre como usar).
- 3. MICROWAVE POWER (POTÊNCIA DO MICRO-ONDAS)** - Carregue para selecionar o nível de potência do micro-ondas. (Página 16).
- 4. GRILL** - Carregue para definir o programa de cozedura do grill. (Página 17).
- 5. MICROWAVE+GRILL (MICRO-ONDAS+GRILL)** - Carregue para definir o programa de cozedura combinado de micro-ondas e grill. (Página 17).
- 6. START/QUICK START (INÍCIO/INÍCIO RÁPIDO)** - (Página 17).
- 7. MARCADOR GIRATÓRIO** - Gire no sentido dos ponteiros do relógio ou no contrário para definir diversas funções.
- 8. STOP/ECO** - Carregue uma vez para parar temporariamente de cozinhar, ou duas vezes para cancelar a cozedura de todo. Use para definir o modo de poupança de energia. (Página 19).
- 9. CHILD LOCK (BLOQUEIO DE CRIANÇAS)** - (Página 20).
- 10. TIME/SET CLOCK (HORA/DEFINIR)** - Use para acertar a hora. Use para definir a função do temporizador. (Página 15)



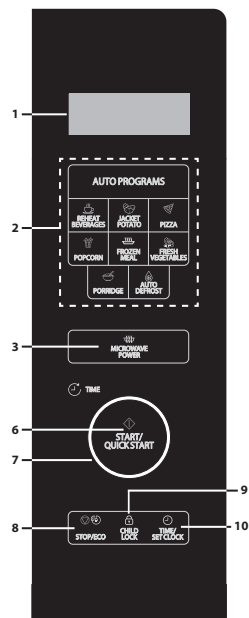
YC-QG234A, YC-QG254A



YC-QG204A



YC-QS254A



YC-QS204A

ANTES DE USAR O FORNO

Quando o forno for ligado pela primeira vez, irá soar um sinal sonoro e o mostrador apresentará a indicação "1:00". Tenha em conta que o relógio não precisa de estar acertado para o forno funcionar devidamente. Para acertar o relógio, siga as instruções na secção "Acertar a hora" deste manual do utilizador.

Quando for nova, da primeira vez que a grelha for usada serão produzidos fumo e cheiros. Para evitar que isto aconteça quando estiverem a ser cozinhados alimentos, use a função do grill sem alimentos durante cerca de 20 minutos.

- Depois de abrir e fechar a porta, o forno entrará no modo de standby (espera). Se não se carregarem em nenhuns botões durante 1 minuto, o mostrador continuará ligado e os botões não irão funcionar. Para voltar a entrar no modo de standby, abra e feche a porta.
- Durante a cozedura, se o botão **STOP/ECO** for carregado uma vez, o ciclo de cozedura será parado. Para continuar a cozinhar, carregue no botão **INÍCIO/INÍCIO RÁPIDO**. Se carregar duas vezes no botão **STOP/ECO**, a cozedura será cancelada.
- Quando programar o forno para uma função concreta e houver uma pausa entre o carregar nos botões de mais de 30 segundos, o forno regressará ao modo de standby (espera).
- Quando um ciclo de cozedura terminar, o mostrador apresentará a indicação "End" e ouvir-se-á um sinal sonoro a cada 2 minutos, até se carregar em algum botão ou a porta ser aberta.

ACERTAR O RELÓGIO

Este forno tem um relógio que pode ser usado no modo de 12 ou 24 horas. Para acertar o relógio, siga as instruções em baixo:

1. No modo standby (espera), carregue e mantenha o botão **HORA/DEFINIR RELÓGIO** durante pelo menos 3 segundos para entrar no modo para acertar o relógio.
 2. Carregue no botão **HORA/DEFINIR RELÓGIO** para seleccionar o modo do relógio de 12 ou 24.
 3. Gire o **MARCADOR GIRATÓRIO** para definir a hora. Carregue no botão **HORA/DEFINIR RELÓGIO** para guardar.
 4. Gire o **MARCADOR GIRATÓRIO** para definir os minutos. Carregue no botão **HORA/DEFINIR RELÓGIO** para guardar e sair do modo de definição do relógio.
- Não é preciso ter o relógio com a hora certa para o forno funcionar normalmente.
 - Enquanto no modo de cozedura, carregue no botão **HORA/DEFINIR RELÓGIO** para ver a hora (se estiver definida). A hora mudará para a contagem decrescente da cozedura ao fim de 5 segundos. Tenha em conta que se o temporizador de cozinha tiver sido definido, não será possível ver a hora.

COZINHAR COM MICRO-ONDAS

Para usar a função de micro-ondas, siga as instruções em baixo:

1. No modo de standby (espera), carregue no botão de **POTÊNCIA DO MICRO-ONDAS** para seleccionar o nível de potência. De cada vez que carregar no botão, o mostrador apresentará o nível de potência do micro-ondas.
2. Assim que tiver sido seleccionado o nível de potência do micro-ondas desejado, gire o **MARCADOR GIRATÓRIO** para seleccionar a hora da cozedura.
3. Carregue no botão **INÍCIO/INÍCIO RÁPIDO** para começar a cozinhar.
4. Quando um ciclo de cozedura terminar, o mostrador apresentará a indicação “**End**” e ouvir-se-á um sinal sonoro a cada 2 minutos, até se carregar em algum botão ou a porta ser aberta.

Veja a tabela em baixo para obter orientações. O seu forno tem 10 níveis de potência de micro-ondas. Estes são 10%, 20%, 30%, 40%, 50%, 60%, 70%, 80%, 90% e 100%. A voltagem atual de saída pode ser calculada multiplicando a potência do micro-ondas pela percentagem.

Guia de cozedura com micro-ondas:

Mostrador	Potência do Micro-ondas	Sugestão de utilização
P100	100 %	Use esta definição para cozinhar depressa ou para reaquecer, por exemplo, para estufados, bebidas quentes, legumes, etc.
P-80	80 %	Para alimentos denso que exigem um tempo de cozedura longo quando cozinhados de forma convencional, por exemplo, para pratos de carne. É aconselhável usar este nível de potência para que a carne fique tenra.
P-60	60 %	Usado para cozedura longa de alimentos densos, por exemplo assados, rolo de carne e refeições prontas, bem como para pratos delicados, como molho de queijo ou bolos esponja.
P-40	40 %	Definições de descongelar; seleccione este nível de potência para que os alimentos se descongelem uniformemente. Este nível é também ideal para fazer arroz, massa, pastéis e leite creme.
P-20	20 %	Para um descongelar suave, por ex., de bolos ou massas.

- Durante a cozedura pode verificar o nível da potência de cozedura carregando e mantendo o botão da **POTÊNCIA DO MICRO-ONDAS**.
- A duração máxima da cozedura é de 95 minutos.

INÍCIO RÁPIDO

Se precisar de cozinhar com um nível de potência de 100%, carregue no botão **INÍCIO/INÍCIO RÁPIDO** no **MARCADOR GIRATÓRIO** enquanto estiver no modo de standby (espera). De cada vez que se carregar no botão **INÍCIO/INÍCIO RÁPIDO**, este acrescentará 30 segundos ao tempo de cozedura.

COZINHAR COM O GRILL*

O elemento aquecedor do grill no cimo da cavidade do forno tem apenas uma definição de potência, que é eficaz e económica. O grill é perfeito para cozinhar bacon, bife de fiambre, douradinhos e biscoitos.

Use a grelha do grill para grelhar pequenos alimentos, como bacon e salsichas. Vire ao contrário a meio da cozedura. Os alimentos podem ser colocados diretamente na grelha ou numa travessa ou loiça própria para ir ao forno. Para garantir que não cai gordura ou óleo dos alimentos durante a cozedura, garanta que há um tabuleiro adequado por baixo da grelha do grill.

Quando tostar a superfície de alimentos numa travessa, pode usar a grelha do grill, caso o recipiente seja suficientemente baixo. No entanto, recomenda-se que coloque estes recipientes diretamente na placa da base e permita um pouco mais de tempo para tostar como gostar.

Para usar a função do grill, siga as instruções em baixo:

1. No modo de standby (espera), carregue no botão **GRILL** para selecionar a função do grill. O mostrador apresentará a indicação "Grill"
2. Gire o **MARCADOR GIRATÓRIO** para selecionar a duração da cozedura.
3. Carregue no botão **INÍCIO/INÍCIO RÁPIDO** para começar a cozinhar.
4. Quando um ciclo de cozedura terminar, o mostrador apresentará a indicação "End" e ouvir-se-á um sinal sonoro a cada 2 minutos, até se carregar em algum botão ou a porta ser aberta.

* - Apenas modelos com grill.

MICRO-ONDAS+GRILL*

Ao usar ambas as funções de micro-ondas e grill, é possível tostar os alimentos mais depressa. Para usar a função do micro-ondas e do grill, siga as instruções em baixo:

1. No modo de standby (espera), carregue uma ou duas vezes no botão **MICROWAVE + GRILL** para selecionar "Co-1" ou "Co-2".
2. Gire o **MARCADOR GIRATÓRIO** para definir a duração da cozedura.
3. Carregue no botão **INÍCIO/INÍCIO AUTOMÁTICO** para iniciar.
4. Quando um ciclo de cozedura terminar, o mostrador apresentará a indicação "End" e ouvir-se-á um sinal sonoro a cada 2 minutos, até se carregar em algum botão ou a porta ser aberta.

Função do Micro-ondas + Grill

Mostrador	Resultado	Sugestão de utilização
Co-1	70% grill 30% micro-ondas.	Peças de frango, peito de frango, costeletas de porco
Co-2	56% grill 44% micro-ondas.	Frango inteiro

- A duração máxima da cozedura com o grill é de 95 minutos.
- Enquanto grelhar, permita que o fumo ou cheiros se dispersem abrindo uma janela ou ligando o exaustor da cozinha. Isto é normal e não é um defeito do forno.
- Durante a cozedura pode verificar a combinação da potência de cozedura tocando no botão **MICRO-ONDAS + GRILL**.
- Quando usar a função do grill, o grill liga-se e desliga-se em intervalos regulares para evitar o sobreaquecimento.
- Quando usar a função do MICRO-ONDAS+GRILL, os alimentos podem ser colocados num recipiente adequado diretamente sobre a placa da base do forno ou na grelha do grill fornecida.

ATENÇÃO: a porta, a armação exterior, a cavidade do forno, os acessórios e os pratos ficarão muito quentes durante a operação. Para evitar queimaduras, use sempre luvas grossas.

* - Apenas modelos com grill.

MENU AUTOMÁTICO

Para sua comodidade, os programas automáticos permitem que os alimentos sejam cozinhados de forma rápida e eficaz, apenas carregando em alguns botões. Não é necessário programar a duração e a potência de cozedura; é necessário apenas carregar no botão de cozedura automática exigido, introduzir o peso/peças girando o **MARCADOR GIRATÓRIO** e carregar no botão **INÍCIO/INÍCIO RÁPIDO**.

Por exemplo, para cozinhar duas batatas recheadas.

1. Abra a porta e coloque os alimentos no interior do forno usando loiça adequada para o ciclo de cozedura a ser usado.
2. Feche a porta.
3. Carregue uma vez no botão **BATATAS RECHEADAS**.
4. Gire o **MARCADOR GIRATÓRIO** para introduzir o número de batatas.
5. Carregue no botão **INÍCIO/INÍCIO RÁPIDO**.
6. Quando um ciclo de cozedura terminar, o mostrador apresentará a indicação **"End"** e ouvir-se-á um sinal sonoro a cada 2 minutos, até se carregar em algum botão ou a porta ser aberta.

Menus de cozedura automática:

Menu Automático	Método de seleção do peso ou das peças	Tamanho/peso	Programas automáticos
Refeições congeladas	Selecione o peso girando o controlo do MARCADOR GIRATÓRIO , depois carregue no botão INÍCIO/INÍCIO RÁPIDO para começar a cozinhar.	200 a 800 g	-
Descongela automático		100 a 1800 g	-
Reaquecer bebidas	Selecione o número de copos girando o controlo do MARCADOR GIRATÓRIO , depois carregue no botão INÍCIO/INÍCIO RÁPIDO para começar a cozinhar.	1 a 3 copos (200 ml cada)	-
Batatas Recheadas	Selecione o número de batatas girando o controlo do MARCADOR GIRATÓRIO , depois carregue no botão INÍCIO/INÍCIO RÁPIDO para começar a cozinhar.	1 a 3 batatas (230 g cada)	-
Pipocas	Selecione o peso girando o controlo do MARCADOR GIRATÓRIO , depois carregue no botão INÍCIO/INÍCIO RÁPIDO para começar a cozinhar.	Aumentos de 100 g	-
Legumes Frescos		200 a 600 g	-
Pizza		150 g / 300 g / 450 g	-
Papas		50 a 150 g	-
Bifes grelhados*		200 a 600 g	A-1
Frango grelhado*		200 a 600 g	A-2
Reaquecer automático*		200 a 800 g	A-3
Peixe grelhado*		100 a 500 g	A-4

* - *Apenas modelos com grill.*

- Os resultados da cozedura automática dependem de fatores, como o formato e o tamanho dos alimentos, as suas preferências pessoais e se determinados alimentos estão muito ou pouco cozinhados, bem como o modo como os alimentos estão colocados no forno. Caso os resultados da cozedura não sejam satisfatórios, ajuste a duração da cozedura para se adaptar.

Nota: O botão do menu automático é usado apenas nos modelos YC-QG204A. De cada vez que se carregar no botão do menu automático, o mostrador apresentará o programa automático como na tabela em cima. Quando se encontrar o menu automático desejado, gire o controlo do **MARCADOR GIRATÓRIO** para selecionar o peso dos alimentos a serem cozinhados.

DESCONGELAR AUTOMÁTICO

O descongelar automático permite-lhe descongelar alimentos pelo peso. A duração de descongelar e o nível de potência são definidos automaticamente assim que forem programados a categoria dos alimentos e o peso. O peso dos alimentos congelados vai de 100g a 1800g.

1. No modo de standby (espera), carregue no botão **DESCONGELAR AUTOMÁTICO**.
2. Gire o controlo do **MARCADOR GIRATÓRIO** para selecionar o peso dos alimentos a serem descongelados.
3. Carregue no botão **INÍCIO/INÍCIO RÁPIDO** para iniciar o ciclo de descongelar.
4. Caso o forno pare durante o ciclo de descongelar, vire os alimentos ao contrário para garantir que descongelam uniformemente e volte a carregar em **INÍCIO/INÍCIO RÁPIDO** para descongelar durante o tempo restante.
5. Quando um ciclo de descongelar terminar, o mostrador apresentará a indicação "End" e ouvir-se-á um sinal sonoro a cada 2 minutos, até se carregar em algum botão ou a porta ser aberta.

REAQUECER AUTOMÁTICO*

O forno permite-lhe reaquecer alimentos com base no peso introduzido pelo utilizador. A duração e o nível de potência de reaquecer são automaticamente definidos assim que forem programados a categoria e o peso dos alimentos. O peso dos alimentos a serem reaquecidos vai de 200 g a 800 g

1. No modo de standby (espera), carregue no botão **REAQUECER AUTOMÁTICO**.
2. Gire o controlo do **MARCADOR GIRATÓRIO** para selecionar o peso dos alimentos a serem reaquecidos.
3. Carregue no botão **INÍCIO/INÍCIO RÁPIDO**.
4. Quando um ciclo de cozedura terminar, o mostrador apresentará a indicação "End" e ouvir-se-á um sinal sonoro a cada 2 minutos, até se carregar em algum botão ou a porta ser aberta.

* - Apenas modelos com grill.

TEMPORIZADOR DE COZINHA

O forno vem equipado com um temporizador de cozinha que irá fazer a contagem decrescente da duração definida.

1. No modo de espera (standby), carregue uma vez no botão **HORA/DEFINIR RELÓGIO**.
2. Gire o **MARCADOR GIRATÓRIO** para selecionar a duração desejada. A duração maior é de 95 minutos.
3. Carregue no botão **INÍCIO/INÍCIO RÁPIDO** para confirmar.
4. O mostrador entrará em contagem decrescente durante o tempo definido.
5. Quando o mostrador chegar a zero, ouvir-se-á um sinal sonoro.

É também possível usar o temporizador de cozinha no modo de cozedura. Para o fazer, siga os passos definidos em cima enquanto os alimentos estiverem a ser cozinhados. Assim que o temporizador de cozinha tiver sido ativado, este aparecerá no mostrador durante cinco segundos; depois, o mostrador voltará à contagem decrescente desse ciclo de cozedura. Para voltar a ver o temporizador, carregue uma vez no botão **HORA/DEFINIR RELÓGIO** e o temporizador de cozinha aparecerá durante cinco segundos, passando depois à contagem decrescente.

- Para cancelar **TIMER**, carregue no botão **STOP/ECO** e o mostrador apresentará a hora.
- Caso tenha sido iniciado um ciclo de cozedura, é possível iniciar o temporizador de cozinha seguindo os passos em cima.

FUNÇÃO DE POUPANÇA DE ENERGIA

Esta função permite poupar energia quando o forno não estiver a ser usado. Para ativar esta função no modo de standby (espera), carregue e mantenha o botão **STOP/ECO** durante 3 segundos. O mostrador desligar-se-á e o forno entrará no modo de poupança de energia.

Para cancelar o modo de poupança de energia, carregue em qualquer botão ou abra e fecha a porta do forno.

FUNÇÃO DE SILENCIAR

É possível silenciar quaisquer sons do micro-ondas usando a função de silenciar. Para definir a função de silenciar, carregue uma vez no botão do **BLOQUEIO DE CRIANÇAS** e o mostrador apresentará a indicação "oFF" durante 5 segundos. Enquanto estiver no modo silenciado, não se ouvirá nenhum som ao carregar nos botões.

Para desligar a função mudo, pressione o botão **BLOQUEIO DE CRIANÇAS** uma vez, o display mostrará "on" por 5 segundos para indicar que o som foi ligado novamente.

Se a função de silenciar tiver sido definida e o forno for desligado da corrente, esta será cancelada quando a corrente for retomada.

BLOQUEIO DE SEGURANÇA

Esta é uma função automática para evitar a utilização não vigiada do forno por parte de crianças. No modo standby (espera), se não for usado durante um minuto, o forno entrará automaticamente no modo de bloqueio de segurança e a indicação "Loc" aparecerá no mostrador. No modo de bloqueio, todos os botões são desativados. Se carregar em qualquer botão, a indicação de bloqueio aparecerá no mostrador durante 5 minutos a lembrar o utilizador de cancelar o bloqueio de segurança.

Para desligar o bloqueio de segurança basta abrir a porta do micro-ondas e o teclado voltará a ficar ativo e o indicador de bloqueio apagar-se-á.

BLOQUEIO DE CRIANÇAS

1. Para definir o BLOQUEIO DE CRIANÇAS, carregue e mantenha o botão **BLOQUEIO DE CRIANÇAS** durante 3 segundos. Ouvir-se-á um apito longo e o mostrador apresentará a indicação "Loc". O forno está agora no modo de BLOQUEIO DE CRIANÇAS. Enquanto estiver neste modo, o mostrador apresentará a hora e, se alguém carregar em algum botão, ou a porta for aberta, aparecerá a indicação "Loc" durante 5 segundos.
2. Para cancelar o BLOQUEIO DE CRIANÇAS, carregue e mantenha o botão **BLOQUEIO DE CRIANÇAS** durante 3 segundos até ouvir um apito prolongado.

LIMPEZA E MANUTENÇÃO

1. Quando limpar, desligue o forno e retire a ficha da tomada de alimentação.
2. Mantenha o interior do forno limpo. Quando salpicos de comida ou líquidos derramados se colarem às paredes, teto ou placa da base, limpe com um pano húmido. Podem usar-se detergentes suaves, caso o forno fique muito sujo. Evite usar sprays ou outros agentes de limpeza agressivos. Estes podem manchar, riscar ou matizar a superfície da porta.
3. A parte exterior do forno deve ser limpa com um pano húmido. Para evitar danos nas peças de funcionamento do interior do forno, não se deve deixar entrar água nas aberturas de ventilação.
4. Limpe a porta e a janela de ambos os lados, as vedações da porta e as peças adjacentes com um pano húmido para remover eventuais salpicos ou derrames.
5. Não use agentes de limpeza abrasivos.
6. Não use agentes de limpeza a vapor.
7. Não permita que o painel de controlo fique molhado. Limpe com um pano macio húmido. Quando limpar o painel de controlo, deixe a porta do forno aberta para evitar que o forno se ligue acidentalmente.
8. Se se acumular vapor no interior ou à volta da parte exterior da porta do forno, limpe com um pano macio. Isto pode acontecer quando o micro-ondas funciona em condições de grande humidade. Não é uma anomalia.
9. A placa da base deve ser limpa com regularidade para evitar contaminações e eventuais danos/faíscas. Basta limpar a superfície da base do forno com um detergente suave.
10. Remova cheiros do forno misturando um copo de água com sumo e casca de um limão numa tigela própria para o micro-ondas. Aqueça no micro-ondas durante 5 minutos. Limpe exaustivamente e seque com um pano macio.
11. Se a lâmpada se fundir, contacte o apoio ao cliente para saber o que fazer.
12. O forno deve ser limpo com regularidade e devem ser removidos quaisquer depósitos de comida. Não manter o forno limpo pode provocar a deterioração da superfície, o que poderá afetar adversamente a vida útil da unidade e poderá eventualmente provocar uma situação perigosa.
13. Não elimine este eletrodoméstico no caixote do lixo doméstico. Veja os conselhos do seu país sobre a eliminação deste tipo de produtos.

LOIÇA É PRÓPRIA PARA O FORNO

1. O material ideal para utensílios para o micro-ondas é transparente para micro-ondas, pois permite que a energia passe através do recipiente e aqueça os alimentos
2. As micro-ondas não conseguem penetrar no metal, pelo que não devem ser usados utensílios metálicos ou pratos com uma risca metálica.
3. Não use produtos de papel reciclado quando cozinhar com micro-ondas, pois podem conter pequenos fragmentos metálicos que podem provocar faíscas e /ou fogo.
4. São mais recomendados pratos redondos/ovais do que quadrados/alongados, pois os alimentos nos cantos têm tendência a ficar cozinhados demais.
5. Podem usar-se tiras finas de película de alumínio para evitar que as zonas expostas se cozinhem excessivamente. Tenha cuidado para não usar muitas e mantenha uma distância de 2,54 cm entre a película e a cavidade.

A lista seguinte é um guia geral para ajudar a selecionar os utensílios de cozinha corretos.

Loiça de cozinha	Micro-ondas Segura	Grill	Comentários
Loiça de barro	✓ / ✗	✗	Siga sempre as instruções do produtor. Não ultrapasse os tempos de cozedura indicados. Tenha muito cuidado, pois estes recipientes podem ficar muito quentes.
Porcelana e cerâmica	✓ / ✗	✗	Porcelana, cerâmica, painéis de barro e porcelana de ossos em geral podem ser usadas, à exceção daquelas que tiverem decorações metálicas.
Vidro resistente ao calor	✓	✓	Deve ter-se cuidado para garantir que a loiça de vidro é adequada para usar num forno micro-ondas.
Vidro não resistente ao calor	✗	✗	
Cerâmica resistente ao calor	✓	✓	Certifique-se de que os materiais de cerâmica não são espessos de mais ou com alto teor de minerais.
Prato de plástico próprio para o micro-ondas	✓	✗	Verifique sempre se a loiça de plástico é adequada para usar no micro-ondas.
Papel de cozinha	✓ / ✗	✗	Use apenas papel de cozinha recomendado para usar em fornos micro-ondas.
Loiça de vidro, por ex., Pyrex®	✓ / ✗	✓	Tenha cuidado se usar loiça de vidro sensível, pois este pode partir-se ou estalar se for aquecido repentinamente.
Tabuleiro metálico	✗	✓	Não é recomendável o uso de loiça metálica, pois irá provocar faíscas e pode provocar um incêndio.
Grelha metálica	✗	✓	Não é recomendável o uso de loiça metálica, pois irá provocar faíscas e pode provocar um incêndio.
Película de alumínio Recipientes de alumínio	✓ / ✗	✓	Podem usar-se pequenos pedaços de película de alumínio para evitar que os alimentos se sobreaqueçam. Mantenha a película a pelo menos 2,54cm das paredes do forno, pois pode provocar arco elétrico. Não se recomendam recipientes de alumínio, a não ser que seja especificado pelo produtor, por ex., Microfoil®, siga as instruções com cuidado.
Película aderente	✓	✗	Não deve tocar nos alimentos e deve estar furada para deixar sair o vapor.
Plástico/Esferovite, por ex., recipientes de fast food	✓	✗	Tenha em atenção que alguns recipientes podem deformar-se, derreter ou perder a cor quando expostos a temperaturas elevadas.
Sacos de congelar/assar	✓	✗	Deve estar perfurado para deixar sair o vapor. Certifique-se de que os sacos são apropriados para usar no micro-ondas.
Pratos/copos de papel e papel de cozinha	✓	✗	Não utilize atilhos de plástico ou metal, pois podem derreter ou pegar fogo devido a arcos elétricos metálicos.
Recipientes de verga e madeira	✓	✗	Utilize apenas para aquecer ou para absorver humidade. Deve-se ter cuidado, pois o sobreaquecimento pode provocar um incêndio.
Papel reciclado e jornais	✗	✗	Esteja sempre com atenção ao forno quando usar estes materiais, pois podem sobreaquecer e provocar um incêndio. Podem conter extratos de metal, o que provocará fagulhas e pode provocar um incêndio.



ATENÇÃO: Quando aquecer alimentos em recipientes de plástico ou papel, controle o forno devido à possibilidade de ignição.

NOTA: Não deixe o forno sem supervisão enquanto estiver a funcionar.

CONSELHOS DE CULINÁRIA DO MICRO-ONDAS

Os micro-ondas cozinham mais rapidamente do que a cozedura tradicional. Por isso, é essencial que se sigam certas técnicas para garantir bons resultados. Muitas das seguintes técnicas são semelhantes às usadas na cozedura tradicional.



ATENÇÃO: Os líquidos e alimentos não devem ser aquecidos em recipientes fechados ou boiões/ recipientes com tampas, pois dentro deles formar-se-á pressão e poderá provocar uma explosão.

NOTAS SOBRE OS CONSELHOS DE CULINÁRIA:

- Preste atenção ao forno quando este estiver em uso.
- Certifique-se de que os utensílios são adequados para o uso em fornos de micro-ondas.
- Use apenas pipocas de micro-ondas que tenham uma embalagem adequada (siga as instruções do produtor). Não use nunca óleo, a não ser que o produtor o refira e nunca cozinhe mais tempo do que o indicado.



ATENÇÃO: Se exceder o tempo de cozedura recomendado e usar níveis de potência demasiado altos, os alimentos podem sobreaquecer, queimar-se e em circunstâncias extremas pegar fogo e danificar o forno.

Acomodar

Coloque as partes mais espessas dos alimentos na borda do prato, por exemplo, coxas de frango.

Os alimentos colocados virados para fora do prato receberão mais energia, cozinhar-se-ão mais depressa do que os do centro.

Cubrir

Certos alimentos beneficiam se forem tapados durante a cozedura no micro-ondas.

Use uma película aderente ventilada ou uma tampa adequada.

Perfure

Alimentos com casca, pele ou membranas devem ser perfurados em vários locais antes de cozinhar ou reaquecer, pois formar-se-á vapor que poderá provocar a explosão do alimento.

por ex., Batatas, Peixe, Frango, Salsichas.

NOTA: Os ovos não devem ser aquecidos usando a potência de micro-ondas, pois podem explodir, mesmo depois da cozedura terminar, por ex., escalfados, estrelados, cozidos.

Mexa, vire e volte a acomodar

Para uma cozedura uniforme é essencial mexer, virar e voltar a acomodar os alimentos durante a cozedura. Mexa e acomode sempre do exterior para o interior.

Deixe repousar

O tempo de repouso é necessário após a cozedura, pois permite que o calor seja distribuído uniformemente pela comida.

Características dos alimentos	
Composição	Alimentos ricos em gorduras ou açúcar (por ex., bolo de Natal, tartes de carne) exigem menos tempo de aquecimento. Deve ter-se cuidado, pois o sobreaquecimento pode provocar um incêndio. Os ossos nos alimentos conduzem o calor, cozinhando os alimentos mais rapidamente. Deve ter-se o cuidado de garantir que os alimentos são cozinhados uniformemente.
Densidade	A densidade dos alimentos afeta a quantidade de tempo de cozedura necessária. Alimentos leves e porosos, como bolos ou pão, são cozinhados mais depressa do que alimentos pesados, densos, como assados ou guisados.
Quantidade	O número de micro-ondas no seu forno é sempre o mesmo, independentemente da forma como os alimentos estão a ser cozinhados. O tempo de cozedura deve ser aumentado conforme aumenta a quantidade de alimentos colocados no forno. Por ex., quatro batatas demoram mais a cozinhar do que duas.
Medida	Alimentos e pedaços pequenos cozinham-se mais depressa do que alimentos grandes, pois as micro-ondas podem penetrar de todos os lados até ao centro. Para cozinhar uniformemente, prepare os pedaços todos do mesmo tamanho.
Forma	Alimentos com formas irregulares, como peito ou coxas de frango, demoram mais tempo a cozinhar nas partes mais espessas. Para cozinhar uniformemente, coloque as partes mais espessas viradas para fora do prato, onde poderão receber mais energia. Formas arredondadas cozinham mais uniformemente do que formas quadradas em fornos micro-ondas.
Temperatura dos alimentos	A temperatura inicial dos alimentos afeta a quantidade de tempo de cozedura necessário. Alimentos frios demoram mais tempo a cozinhar do que alimentos à temperatura ambiente. A temperatura do recipiente não é um indicador verdadeiro da temperatura dos alimentos ou das bebidas. Corte os alimentos com recheio, por exemplo, donuts com recheio, para soltar o calor ou o vapor



ATENÇÃO: Cara e Mãos: Use sempre luvas para retirar os alimentos ou a loiça do forno. Afaste-se quando abrir a porta, para permitir que o calor ou vapor dispersem. Quando retirar coberturas (como película aderente), abrir sacos de assar ou embalagens de pipocas, direcione o vapor para longe da sua cara e mãos.



ATENÇÃO: Verifique a temperatura dos alimentos e bebidas e misture antes de servir. Tenha particular atenção quando servir bebés, crianças ou idosos. O conteúdo de biberons e boiões de comida devem ser mexidos ou agitados e a temperatura verificada antes de se consumir, de modo a evitar queimaduras.

CONSELHOS SOBRE DESCONGELAR

Usar o micro-ondas é o método mais rápido para descongelar. É um processo simples, porém as seguintes instruções são essenciais para garantir que os alimentos são devidamente descongelados.

- Retire todo o tipo de embalagens e invólucros antes de descongelar.
- Para descongelar alimentos, use os níveis de potência do micro-ondas de P-20 a P-40.
- Consulte a informação seguinte em baixo.

Volte a acomodar

Os alimentos que estão virados para fora no prato descongelar-se-ão mais rapidamente do que os alimentos no centro. Por isso, é essencial voltar a acomodá-los até 4 vezes durante o processo.

Mude as peças de viradas para fora para o meio e volte a acomodar as zonas de sobreposição.

Isto irá garantir que todas as peças ficarão uniformemente descongeladas.

Separe

Os alimentos podem estar presos uns aos outros quando retirados do congelador. É importante separar os alimentos assim que for possível durante a descongelação.

Por ex., fatias de bacon, bifés de peru.

Proteja

Algumas zonas dos alimentos que estão a ser descongelados podem ficar quentes. Para evitar que estas se aqueçam demasiado e comecem a cozinhar, elas podem ser cobertas com pequenos pedaços de película que reflita as micro-ondas, por ex., coxas e asas de um frango.

Deixe repousar

O tempo de repouso é necessário para garantir que os alimentos são totalmente descongelados

O processo de descongelar não termina quando se retiram os alimentos do micro-ondas. Os alimentos devem repousar, tapados, durante um certo período de tempo para garantir que ficam completamente descongelados.

Vire ao contrário

É essencial que todos os alimentos sejam virados ao contrário pelo menos 4 vezes durante o descongelar.

Isto é importante para garantir um descongelar completo.

CONSELHOS SOBRE REAQUECER

Para o reaquecimento de alimentos, siga os conselhos e instruções em baixo para garantir que os alimentos são devidamente aquecidos antes de os servir.

Refeições no prato

Retire todo o tipo de doses de carne ou aves; aqueça-as separadamente, veja em baixo.

Coloque os pedaços mais pequenos de comida no meio do prato e os maiores nas bordas. Cubra com película aderente ventilada para o micro-ondas e reaqueça em P-50. Misture/volte a acomodar a meio do processo de reaquecimento.

NOTA: Certifique-se de que os alimentos foram totalmente reaquecidos antes de os servir.

Carne fatiada

Cubra com película aderente ventilada para o micro-ondas e reaqueça em P-60. Volte a acomodar os alimentos pelo menos uma vez para garantir um reaquecimento uniforme.

NOTA: Certifique-se de que a carne foi totalmente reaquecida antes de servir.

Doses de frango

Coloque os pedaços mais espessos da dose virados para a borda do prato, cubra com película aderente ventilada para o micro-ondas e reaqueça em P-70.

Vire ao contrário a meio do processo de reaquecimento.

NOTA: Verifique que as aves foram totalmente reaquecidas antes de servir.

Guisados

Cubra com película aderente ventilada para o micro-ondas ou com uma tampa apropriada e reaqueça em P-50. Mexa com frequência para garantir um reaquecimento uniforme.

NOTA: Certifique-se de que os alimentos foram totalmente reaquecidos antes de os servir.

Para alcançar os melhores resultados quando quiser reaquecer, escolha um nível de potência do micro-ondas apropriado para esse tipo de alimento, por ex., uma taça com legumes pode ser reaquecida usando o nível de potência P-100, enquanto que uma lasanha, que tem ingredientes que não podem ser misturados, deve ser reaquecida a P-40.

NOTAS:

- Retire os alimentos de recipientes de plástico ou metal antes de os reaquecer.
- O tempo de reaquecimento é afetado pela forma, densidade, quantidade e temperatura dos alimentos, bem como pelo tamanho, forma e material do recipiente.



ATENÇÃO: Nunca aqueça líquidos em recipientes com um gargalo estreito, pois isto pode provocar uma erupção do conteúdo e pode causar queimaduras.

- Para evitar sobreaquecimento e incêndios, devem ser tidos cuidados especiais quando reaquecer alimentos com grande quantidade de açúcar ou gordura, como por exemplo, tortas ou doces de Natal.
- Nunca aqueça óleo ou gordura para fritar, pois isto pode levar a um sobreaquecimento e incêndio.
- Batatas enlatadas não devem ser aquecidas no forno de micro-ondas. Siga as instruções do produtor na embalagem.



ATENÇÃO: O conteúdo de biberons e boiões de comida de bebé deve ser mexido ou agitado e a temperatura verificada antes de consumir, para evitar queimaduras.

RESOLUÇÃO DE PROBLEMAS

Caso considere que o forno não está a funcionar devidamente, há alguns pontos que pode verificar sozinho, antes de contactar um engenheiro. Isto ajudará a evitar chamadas desnecessárias para a assistência técnica, caso o problema seja algo simples.

Siga este exame simples:

Coloque meio copo de água na placa da base e feche a porta. Defina o temporizador para cozinhar durante 1 minuto usando o nível de potência do micro-ondas P-100.

1. A lâmpada do forno acende-se enquanto se cozinha?
2. A ventoinha de arrefecimento funciona? (Verifique colocando a mão por cima da abertura de ventilação.)
3. Ao fim de 1 minuto ouve-se o sinal sonoro?
4. A água no copo está quente? Se a sua resposta a alguma destas questões for "NÃO", verifique em primeiro lugar se o forno está devidamente ligado à corrente e se o fusível não disparou. Se não houver nenhum problema com nenhuma destas coisas, verifique novamente a tabela de resolução de problemas em baixo.



ATENÇÃO: Nunca ajuste, repare ou altere o forno sozinho. É perigoso para alguém que não um engenheiro formado da SHARP efetuar trabalhos de manutenção ou reparação. Isto é importante, pois pode envolver a remoção de capas que fornecem proteção contra a energia de micro-ondas.

- As vedações da porta impedem a fuga de micro-ondas durante o funcionamento do forno, mas não são herméticas. É normal ver gotas de água, luz, ou sentir ar quente perto da porta do forno. Alimentos com muita humidade irão libertar vapor e provocar condensação dentro da porta, que poderá gotejar do forno.
- Reparções e alterações: Se o forno não estiver a funcionar corretamente, não tente colocá-lo em funcionamento.
- Estrutura exterior e acesso à lâmpada: Nunca retire a estrutura exterior. Isto é muito perigoso devido à alta voltagem de peças no interior que não devem ser tocadas nunca, pois isso pode ser fatal. O seu forno não vem com uma capa de acesso à lâmpada. Se a lâmpada se fundir, não tente substituí-la sozinho, ligue a uma unidade de assistência técnica da SHARP.

TABELA DE RESOLUÇÃO DE PROBLEMAS

PERGUNTA	RESPOSTA
Há uma corrente de ar a circular à volta da porta.	Enquanto o forno trabalha, circula ar dentro da cavidade. A porta não veda de forma hermética, pelo que pode sair ar através dela.
Forma-se condensação dentro do forno, que pode pingar da porta.	A cavidade do forno normalmente está mais fria do que os alimentos que estão a ser cozinhados, por isso o vapor produzido durante a cozedura irá condensar na superfície mais fria. A quantidade de vapor produzido depende do teor de água no alimento a ser cozinhado. Alguns alimentos, como batatas, têm um alto teor de água. A condensação presa no vidro da porta deve desaparecer ao fim de algumas horas.
Clarões e faíscas dentro da cavidade enquanto se cozinha.	Quando um objeto metálico se aproxima muito da cavidade do forno durante a cozedura podem ocorrer faíscas. Isto poderá tornar a superfície da cavidade mais áspera, mas não irá danificar de outro modo o forno.
Batatas com faíscas	Certifique-se de que todos os "olhos" das batatas foram retirados e de que foram furadas. Coloque-as diretamente sobre a placa da base, ou numa travessa resistente ao calor, ou semelhante.
O forno não funciona quando se carrega no botão INÍCIO/ INÍCIO RÁPIDO.	Verifique se a porta está devidamente fechada.
O forno cozinha muito devagar.	Verifique que selecionou o nível de potência correto.
O forno faz barulho.	A energia das micro-ondas vai pulsando durante a cozedura/descongelação. Ouve-se um apito do forno a cada minuto e o mostrador indica "Fail" Se os botões do painel de controlo forem constantemente pressionados durante mais de 1 minuto, ocorrerá este erro.
A estrutura exterior está quente.	A estrutura pode ficar quente - mantenha as crianças afastadas.

ANTES DE LIGAR À ASSISTÊNCIA TÉCNICA

Antes de ligar à assistência técnica verifique cada um dos pontos em baixo:

- Verifique se o forno está ligado à tomada com firmeza. Se não, retire a ficha da tomada, aguarde 10 segundos e volte a ligá-la com firmeza.
- Verifique se algum fusível saltou ou se um disjuntor disparou. Caso pareçam funcionar corretamente, teste a tomada com outro eletrodoméstico.
- Certifique-se de que os manípulos de potência e do temporizador estão devidamente definidos.
- Certifique-se de que a porta está a encaixar devidamente no sistema de bloqueio de segurança. Caso contrário, a energia das micro-ondas não irá fluir dentro do forno.

SE NENHUM DOS PONTOS ACIMA CORRIGIR A SITUAÇÃO, CONTACTE UM TÉCNICO QUALIFICADO. NÃO TENHA TENTADO AJUSTAR OU REPARAR O FORNO SOZINHO.



Attention :

Votre produit comporte ce symbole. Il signifie que les produits électriques et électroniques usagés ne doivent pas être mélangés avec les déchets ménagers généraux. Un système de collecte séparé est prévu pour ces produits.



www.sharpconsumer.com/contact/



www.sharpconsumer.com/support/



www.sharpconsumer.com/documents-of-conformity/

A. Informations sur la mise au rebut à l'intention des utilisateurs privés (ménages)

1. Au sein de l'Union européenne

Attention : si vous souhaitez mettre cet appareil au rebut, ne le jetez pas dans une poubelle ordinaire !

Les appareils électriques et électroniques usagés doivent être traités séparément et conformément aux lois en vigueur en matière de traitement, de récupération et de recyclage adéquats de ces appareils.

Suite à la mise en œuvre de ces dispositions dans les États membres, les ménages résidant au sein de l'Union européenne peuvent désormais rapporter gratuitement* leurs appareils électriques et électroniques usagés sur des sites de collecte désignés.

Dans certains pays*, votre détaillant reprendra également gratuitement votre ancien produit si vous achetez un produit neuf similaire.

*) Veuillez contacter votre administration locale pour plus de renseignements.

Si vos appareils électriques ou électroniques usagés sont équipés de piles ou d'accumulateurs, veuillez les éliminer séparément, conformément aux prescriptions locales. En éliminant correctement ce produit, vous contribuerez à garantir que les déchets subissent le traitement, la valorisation et le recyclage nécessaires et à prévenir ainsi les effets négatifs potentiels sur l'environnement et la santé humaine qui pourraient autrement résulter d'une manipulation inappropriée des déchets.

2. Pays hors de l'Union européenne

Si vous souhaitez mettre ce produit au rebut, veuillez contacter votre administration locale qui vous renseignera sur la méthode d'élimination correcte de cet appareil.

Suisse : les équipements électriques ou électroniques usagés peuvent être ramenés gratuitement au détaillant, même si vous n'achetez pas un nouvel appareil. Pour obtenir la liste des autres sites de collecte, veuillez vous reporter à la page d'accueil du site www.swico.ch ou www.sens.ch.

B. Informations sur la mise au rebut à l'intention des entreprises

1. Au sein de l'Union européenne

Si ce produit est utilisé dans le cadre des activités de votre entreprise et que vous souhaitez le mettre au rebut :

Veuillez contacter votre revendeur SHARP qui vous informera des conditions de reprise du produit. Des frais de reprise et de recyclage pourront vous être facturés. Les produits de petite taille (et en petites quantités) pourront être repris par vos organisations de collecte locales.

Espagne : veuillez contacter l'organisation de collecte existante ou votre administration locale concernant les modalités de reprise de vos produits usagés.

2. Pays hors de l'Union européenne

Si vous souhaitez mettre ce produit au rebut, veuillez contacter votre administration locale qui vous renseignera sur la méthode d'élimination correcte de cet appareil.

PRÉCAUTIONS POUR ÉVITER UNE EXPOSITION POSSIBLE À UNE ÉNERGIE EXCESSIVE DE MICRO-ONDES

1. Ne tentez pas d'utiliser ce four avec la porte ouverte car cela peut entraîner une exposition nocive à l'énergie des micro-ondes. Il est important de ne pas rompre ou manipuler les dispositifs de verrouillages de sécurité.
2. N'insérez aucun objet entre la face avant du four et la porte ou ne laissez pas accumuler de la saleté ou des résidus de nettoyage sur les surfaces d'étanchéité.
3. N'utilisez pas le four s'il est endommagé. Il est très important que la porte du four ferme correctement et qu'il n'y ait aucun dommage à la porte, aux charnières, aux serrures ou aux joints de porte et aux surfaces d'étanchéité.
4. N'essayez pas de réparer ou d'ajuster le four.

TABLE DES MATIÈRES

INSTRUCTIONS IMPORTANTES DE SÉCURITÉ.....	3
INSTALLATION.....	12
PERTURBATIONS RADIO.....	13
INSTRUCTIONS DE MISE À LA TERRE.....	13
SPÉCIFICATIONS.....	13
FOUR ET ACCESSOIRES.....	14
PANNEAU DE COMMANDE.....	15
AVANT D'UTILISER LE FOUR.....	16
RÉGLAGE DE L'HORLOGE.....	16
CUISSON AU MICRO-ONDES.....	17
DÉMARRAGE RAPIDE.....	18
CUISSON AU GRIL*.....	18
MICRO-ONDES + GRIL*.....	18
MENU AUTO.....	19
DÉCONGÉLATION AUTOMATIQUE.....	20
RÉCHAUFFAGE AUTOMATIQUE*.....	20
MINUTERIE.....	20
FONCTION D'ÉCONOMIE D'ÉNERGIE.....	20
FONCTION MUET.....	21
Serrure de sécurité.....	21
VERROUILLAGE ENFANT.....	21
NETTOYAGE ET ENTRETIEN.....	22
BIEN CHOISIR LA VAISSELLE.....	23
CONSEILS POUR LA CUISSON AU MICRO-ONDES.....	24
CONSEILS POUR LA DÉCONGÉLATION.....	26
CONSEILS POUR LE RÉCHAUFFAGE.....	27
DÉPANNAGE.....	28
AVANT D'APPELER L'ASSISTANCE.....	29

* - Modèles avec gril uniquement.

INSTRUCTIONS IMPORTANTES DE SÉCURITÉ

VEUILLEZ LES LIRE ATTENTIVEMENT ET LES CONSERVER POUR TOUTE RÉFÉRENCE ULTÉRIEURE

Attention aux risques d'incendie. Vous devez surveiller le four durant son fonctionnement. Un niveau de puissance trop élevé, ou un temps de cuisson trop long, peuvent entraîner une augmentation de la température des aliments et créer un risque d'incendie.

Ce four est conçu pour être uniquement utilisé sur un plan de travail de cuisine. Il n'est pas conçu pour être installé dans un élément de cuisine. Veuillez ne pas placer le four dans un placard. La prise secteur doit être facilement accessible, afin que la fiche du cordon d'alimentation puisse être aisément débranchée en cas d'urgence.

La tension d'alimentation doit être égale à 230-240 V, 50 Hz avec un fusible de distribution de 10 A minimum, ou un disjoncteur de 10 A minimum. La prise secteur doit être facilement accessible, afin que la fiche du cordon d'alimentation puisse être aisément débranchée en cas d'urgence.

Veillez ne pas placer votre four à proximité d'une zone génératrice de chaleur. Par exemple, près d'un four à cuisson conventionnelle. Ne placez pas ce four dans une atmosphère à humidité élevée ou bien où l'humidité peut s'accumuler. Ne stockez et n'utilisez pas le four à l'extérieur.

Si vous observez la présence de fumée, éteignez ou débranchez le four et laissez la porte fermée afin d'étouffer les flammes.

Utilisez uniquement des récipients et ustensiles compatibles avec la cuisson au micro-ondes. Il est important de vérifier que les ustensiles utilisés soient bien compatibles avec la cuisson au micro-ondes.

Lorsque vous réchauffez un plat dans un récipient en plastique ou en papier, surveillez le four pour prévenir tout risque d'ignition.

Nettoyez le couvercle du guide d'ondes et la cavité du four. Nettoyez le couvercle du guide d'ondes, la cavité du four et le plateau après utilisation. Ceux-ci doivent être secs et exempts de graisse. Les accumulations de graisse peuvent s'échauffer au point générer de la fumée ou de prendre feu.

Ne placez pas de produits susceptibles de s'enflammer au voisinage du four ou de ses ouvertures de ventilation. N'obstruez pas les ouvertures de ventilation.

Retirez toutes les étiquettes, fils, etc., métalliques qui peuvent se trouver sur l'emballage des aliments. Ces éléments métalliques peuvent entraîner la formation d'un arc électrique et causer un incendie.

N'utilisez pas ce four micro-ondes pour faire de la friture. La température de l'huile ne peut pas être contrôlée et l'huile risquerait de s'enflammer.

Pour faire des popcorns, n'utilisez que des ustensiles conçus pour les fours à micro-ondes.

Ne conservez aucun aliment ou produit à l'intérieur du four.

Vérifiez les réglages après la mise en service du four et assurez-vous que le four fonctionne correctement.

Ne laissez pas le four sans surveillance pendant qu'il fonctionne.

Pour éviter toute surchauffe ou tout incendie, faites attention lorsque vous cuisinez ou réchauffez des plats ayant une forte proportion de sucre ou de graisse, par exemple des saucisses, des tartes ou des gâteaux. Reportez-vous aux conseils correspondants dans le manuel d'utilisation.

Pour éviter toute blessure. AVERTISSEMENT :

N'utilisez pas le four s'il est endommagé ou ne fonctionne pas normalement. Vérifiez les points suivants avant toute utilisation du four.

- a) Assurez-vous que la porte ferme correctement, qu'elle ne présente pas de défaut d'alignement et qu'elle n'est pas voilée.
- b) Assurez-vous que les charnières et les loquets de la porte de sécurité ne sont pas brisés ou lâches.
- c) Assurez-vous que les joints de porte et surfaces de contact ne sont pas endommagés.
- d) Assurez-vous que l'intérieur de la cavité et de la porte n'est pas cabossé.
- e) Assurez-vous que le cordon d'alimentation et sa prise ne sont pas endommagés.

Si la porte ou les joints de porte sont endommagés, n'utilisez pas le four jusqu'à ce qu'il soit réparé par du personnel qualifié.

Vous ne devez rien réparer ou remplacer par vous-même dans le four. Faites appel à du personnel qualifié. N'essayez pas de démonter l'appareil ni d'enlever le dispositif de protection contre l'énergie micro-ondes, vous risqueriez d'endommager le four et de vous blesser.

Ne faites pas fonctionner le four avec la porte ouverte et ne modifiez pas les loquets de sécurité de la porte d'une quelconque manière. N'utilisez pas le four si un objet est interposé entre le joint de porte et la surface de contact du joint.

Évitez que la graisse ou la saleté ne s'accumulent sur le joint de porte ou sur la surface des pièces proches. Nettoyez le four à intervalles réguliers et retirez tous les déchets de nourriture.

Suivez les instructions d'« Entretien et nettoyage ». Le non-respect des consignes de nettoyage du four entraînera une détérioration des surfaces susceptible d'affecter le bon fonctionnement de l'appareil et de présenter des risques.

Si vous avez un STIMULATEUR CARDIAQUE, consultez votre médecin ou le fabricant du stimulateur afin de vous renseigner sur les précautions à prendre lors de l'utilisation du four.

Pour éviter toute décharge électrique.

- Ne retirez en aucun cas le boîtier externe.
- N'introduisez aucun objet ou liquide dans les ouvertures des verrous de la porte ou dans les ouvertures d'aération. Si un liquide pénètre dans le four, mettez immédiatement le four hors tension, débranchez la fiche du cordon d'alimentation et adressez-vous à un technicien d'entretien agréé par SHARP.
- Ne plongez jamais la fiche du cordon d'alimentation dans l'eau ou tout autre liquide.
- Veillez à ce que le cordon d'alimentation ne pende pas à l'extérieur de la table ou du meuble sur lequel est posé le four.
- Veillez à ce que le cordon d'alimentation soit éloigné des surfaces chauffées, y compris de l'arrière du four.
- Gardez l'appareil et son cordon d'alimentation hors de portée des enfants de moins de 8 ans.
- Ne tentez pas de remplacer vous-même la lampe du four et ne laissez personne d'autre qu'un électricien agréé par SHARP faire ce travail. Si la lampe du four grille, adressez-vous au revendeur ou à un agent d'entretien agréé par SHARP.
- Si le cordon d'alimentation est endommagé, il doit être remplacé par un agent de service SHARP agréé.

AVERTISSEMENT : Les liquides ou autres aliments ne doivent pas être réchauffés dans des récipients fermés, ceux-ci étant susceptibles d'exploser. Le réchauffage des boissons au micro-ondes peut entraîner une ébullition explosive différée ; faites donc bien attention lors de la manipulation du récipient. Pour éviter toute explosion ou ébullition soudaine :

N'utilisez jamais de récipients fermés. Retirez les joints et les couvercles avant de les utiliser. Les récipients scellés peuvent exploser en raison d'une accumulation de pression, même après l'arrêt du four. Faites attention lorsque vous mettez des liquides au micro-ondes. Utilisez un récipient à large ouverture pour permettre aux bulles de s'échapper.

Ne chauffez pas de liquide dans un récipient à col étroit tel qu'un biberon car le contenu du récipient peut déborder rapidement et provoquer des brûlures.

Pour éviter tout débordement de liquide bouillant et brûlure éventuelle :

1. N'utilisez pas de temps de cuisson trop longs.
2. Remuez le liquide avant le chauffage/réchauffage.
3. Il est recommandé de placer une tige de verre ou similaire (non métallique) dans le liquide durant le réchauffage.
4. Conservez le liquide pendant au moins 20 secondes dans le four une fois le chauffage terminé, de manière à éviter toute ébullition soudaine différée.

Veillez ne pas cuire d'œuf dans leur coquille et ne pas réchauffer d'œuf dur entier dans le four micro-ondes, ceux-ci risquant d'exploser même après la cuisson. Pour cuire ou réchauffer des œufs qui n'ont pas été brouillés ou mélangés, percez le jaune et le blanc. Retirez la coquille des œufs durs et coupez les œufs en tranches avant de les réchauffer dans un four à micro-ondes.

Percez la peau des aliments tels que pommes de terre et saucisses avant de les cuire, ceux-ci pouvant exploser.

AVERTISSEMENT : Le contenu des biberons et pots pour bébé doit être agité ou secoué et la température vérifiée avant leur consommation pour éviter toute brûlure. Utilisez un porte-récipient ou des gants de cuisine anti-chaueur lorsque vous retirez les aliments du four de façon à éviter toute brûlure. Pour éviter tout risque de brûlure :

- Ouvrez toujours les récipients, les appareils à popcorn, les sacs de cuisson au four, etc. loin du visage et des mains pour éviter les brûlures de vapeur et les éruptions d'ébullition. Pour éviter les brûlures, testez toujours la température des aliments, remuez avant de servir et prêtez une attention particulière à la température des aliments et des boissons offertes aux bébés, aux enfants ou aux personnes âgées. Les parties accessibles peuvent chauffer en cours d'utilisation. Les jeunes enfants devraient être tenus à l'écart.
- La température du récipient n'est pas un bon indicateur de la température des aliments, vérifiez toujours la température des aliments.
- Tenez-vous éloigné du four lors de l'ouverture de la porte, de manière à éviter toute brûlure due à la vapeur ou à la chaleur.
- Coupez en tranches les plats cuisinés farcis après chauffage afin de laisser s'échapper la vapeur et d'éviter les brûlures.
- Ne laissez pas les enfants s'approcher de la porte pour éviter qu'ils ne se brûlent.

AVERTISSEMENT : Ne laissez un enfant âgé de 8 ans ou moins utiliser le four sans supervision que si vous lui avez donné des instructions adéquates, afin que l'enfant soit capable d'utiliser le four de manière sûre et comprenne les dangers d'une utilisation abusive.

Lorsque l'appareil est en mode GRIL, MIX GRIL, CONVEC-

TION, MIX CONVECTION ou MENU AUTO (modes applicables en fonction du modèle), les enfants ne doivent utiliser le four que sous la supervision d'un adulte, en raison des hautes températures générées.

Cet appareil n'est pas conçu pour être utilisé par des personnes (y compris des enfants) ayant des capacités physiques, sensorielles ou mentales réduites ou manquant d'expérience et de connaissances, sauf s'ils sont supervisés ou si des instructions concernant l'utilisation de l'appareil leur ont été données par une personne responsable de leur sécurité.

Les enfants doivent être supervisés pour s'assurer qu'ils ne jouent pas avec

l'appareil. Le nettoyage par les enfants doit être surveillé.

Les modèles avec écran tactile électronique sont activés par un mode de verrouillage enfant.

Ne vous appuyez pas ou ne vous accrochez pas sur la porte du four. N'utilisez pas le four comme un jouet.

Vous devez enseigner aux enfants les consignes de sécurité comme l'usage d'un porte-récipient et le retrait avec précaution de l'emballage des produits alimentaires. Vous devez leur dire de porter une attention particulière aux emballages conçus pour rendre la nourriture croustillante (par exemple, ceux destinés à griller un aliment) dont la température peut être très élevée.

Autres avertissements

Veuillez ne pas modifier le four en aucune manière.

Veuillez ne pas déplacer le four pendant son fonctionnement.

Cet appareil est destiné à un usage domestique. Ce four sert à la préparation d'aliments à domicile seulement et ne peut pas être utilisé pour la cuisson d'aliments et de boissons. Le sé-

chage de la nourriture ou de tissus et le chauffage de coussins chauffants, de pantoufles, d'éponges, de linge humide et autres peuvent entraîner des risques de blessures ou d'incendie. Cet appareil ne convient pas pour un usage commercial ou de laboratoire.

Pour éviter une anomalie de fonctionnement et pour éviter d'endommager le four.

N'utilisez jamais ce four à vide. Si vous utilisez un plat brunisseur ou un plat en matière auto-chauffante, interposez une protection contre la chaleur (par exemple, un plat en porcelaine) de manière à ne pas endommager la base du four. Le temps de préchauffage précisé dans le livre de recettes ne doit pas être dépassé.

N'utilisez pas de récipients métalliques, qui reflètent les micro-ondes et peuvent causer des arcs électriques. Ne placez pas de cannettes dans le four.

Pour éviter que le plateau rotatif ou la base du four ne cède :

- a) Avant de nettoyer avec de l'eau, laissez refroidir.
- b) Ne placez pas d'aliments ou d'ustensiles chauds ou froids sur le plateau rotatif/la base du four froide.
- c) Ne posez aucun objet sur le boîtier du four pendant son fonctionnement.

REMARQUE :

N'utilisez pas des récipients en plastique pour la fonction micro-ondes si le four est encore chaud après l'utilisation d'un mode combiné (en fonction du modèle de four), car ces objets pourraient fondre.

Les récipients en plastique ne doivent pas être utilisés dans les modes ci-dessus, sauf si le fabricant de conteneurs indique qu'ils sont appropriés pour cet usage.

Si vous avez des doutes quant à la manière de brancher le four,

consultez un technicien qualifié.

Ni le fabricant ni le distributeur ne sauraient être tenus responsables des dommages occasionnés au four ou des blessures personnelles qui résulteraient d'une mauvaise observation des consignes de branchement électrique.

Des gouttes d'eau peuvent se former sur les parois de la cavité du four, autour des joints et des surfaces d'étanchéité. Ceci est normal et n'est pas une indication d'un mauvais fonctionnement ou de fuites de micro-ondes.

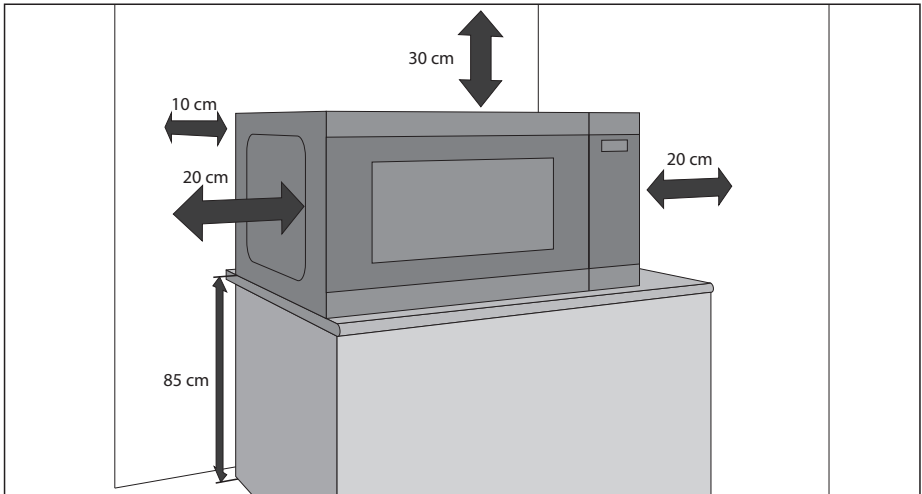
Cet appareil est destiné à être utilisé dans des applications domestiques et similaires telles que : les espaces cuisine réservés au personnel des magasins, bureaux et autres environnements professionnels / les fermes / l'utilisation par les clients dans des hôtels, motels et autres environnements de type résidentiel / les environnements de type Bed and Breakfast.



Ce symbole signifie que les surfaces sont susceptibles de chauffer pendant l'utilisation.

INSTALLATION

1. Retirez tous les éléments d'emballage de l'intérieur de la cavité du four et enlevez le film protecteur protégeant la surface du boîtier du four micro-ondes.
 2. Vérifiez soigneusement que le four ne présente aucun signe de dommages.
 3. Placez le four sur une surface sûre, plane et suffisamment solide pour supporter le poids du four, plus le poids de l'aliment le plus lourd à cuire dans le four. Ne placez pas le four dans un placard.
 4. Sélectionnez une surface plane fournissant assez d'espace libre pour les grilles d'aération d'entrée et de sortie. Voir l'image sur la première page. La surface arrière de l'appareil doit être placée contre un mur.
- La hauteur minimale d'installation est de 85 cm.
 - Un espace minimum de 20 cm est requis entre les bords du four micro-ondes et les murs ou objets adjacents.
 - Gardez un espace d'au moins 30 cm au-dessus du four.
 - Ne retirez pas les pieds du bas du four.
 - Bloquer l'entrée et/ou la sortie d'aération peut endommager le four
 - Placez le four aussi loin que possible des radios et TV. Le fonctionnement du four à micro-ondes peut causer des interférences sur votre signal radio ou TV.



5. Branchez la fiche du cordon d'alimentation dans une prise murale standard (avec prise de terre).

AVERTISSEMENT :

Ne placez pas le four dans un endroit générant de la chaleur ou des niveaux élevés d'humidité (par exemple, près ou au-dessus d'un four conventionnel) ou près de matériaux combustibles (par ex. rideaux).

Ne bloquez ou n'obstruez pas les ouvertures de ventilation.

Ne placez pas d'objet sur le four.

Ne touchez pas l'extérieur du four micro-ondes pendant ou peu après fonctionnement, car il sera chaud.

PERTURBATIONS RADIO

Le fonctionnement du four micro-ondes peut provoquer des interférences pour les radios, télévisions et équipements similaires. En cas d'interférences, vous pouvez les réduire ou les éliminer en prenant les mesures suivantes :

1. Nettoyez la porte et la cavité où elles se rencontrent.
2. Changez la direction de l'antenne de réception de la radio ou de la télévision.
3. Déplacez le four à micro-ondes par rapport au récepteur.
4. Branchez le four à micro-ondes dans une autre prise de courant de façon à ce que le four à micro-ondes et le récepteur soient sur des circuits différents.

INSTRUCTIONS DE MISE À LA TERRE

Cet appareil doit être mis à la terre. Cet appareil est équipé d'un cordon doté d'un fil de mise à la terre avec une fiche de mise à la terre. La fiche doit être branchée sur une prise correctement installée et mise à la terre. En cas de court-circuit électrique, la mise à la terre réduit le risque de choc électrique en fournissant une voie d'échappement pour le courant électrique. Il est recommandé de prévoir un circuit séparé desservant uniquement le four.



AVERTISSEMENT : Une mauvaise utilisation de la prise de mise à la terre peut entraîner un risque d'électrocution.

REMARQUE :

1. Si vous avez des questions concernant la mise à la terre ou l'installation électrique, veuillez consulter un électricien qualifié ou un agent de service.
2. Ni le fabricant ni le distributeur ne sauraient être tenus responsables des dommages occasionnés au four ou des blessures personnelles qui résulteraient d'une mauvaise observation des consignes de branchement électrique.

La fiche secteur utilisée dans votre four à micro-ondes utilise des fils respectant le code couleur suivant :

Vert et jaune = TERRE

Bleu = NEUTRE

Marron = SECTEUR

SPÉCIFICATIONS

Nom du modèle :	YC-QS204A	YC-QS254A	YC-QG204A	YC-QG234A	YC-QG254A
Tension d'alimentation	230-240 V, 50 Hz, monophasé				
Fusible/disjoncteur de protection	10 A				
Puissance :	800 W	900 W	800 W	900 W	900 W
Gril			1000 W	1000 W	1000 W
Mode économie d'énergie	>0,5 W	>0,5 W	>0,5 W	>0,5 W	>0,5 W
Consommation électrique :	1200 W	1400 W	1200 W	1400 W	1400 W
Fréquence des micro-ondes	2450 MHz*				
Dimensions extérieures (L) x (H) x (P) mm	457 x 272 x 379	490 x 288 x 395	457 x 272 x 391	490 x 288 x 393	490 x 288 x 411
Dimensions de la cavité (L) x (H) x (P)** mm	315 x 180 x 328	340 x 197 x 338	315 x 180 x 328	340 x 197 x 338	340 x 197 x 340
Capacité du four	20 litres**	25 litres**	20 litres**	23 litres**	25 litres**
Dimensions du plateau (L) x (H) x (P) mm	262 x 262				
Taille de grille du gril (L) x (P) mm			294 x 236	315 x 308	315 x 308
Poids	environ 11,7 kg	environ 13,3 kg	environ 12,4 kg	environ 14,4 kg	environ 14,6 kg
Ampoule du four (type DEL)	1,5 W				

* - Ce produit répond aux exigences de la norme européenne EN55011. Conformément à cette norme, ce produit est un équipement de groupe 2, classe B. Groupe 2 signifie que cet équipement génère volontairement de l'énergie RF sous forme de rayonnement électromagnétique pour le traitement thermique d'aliments. Classe B signifie que l'équipement est adapté à une utilisation domestique.

** - La capacité intérieure est calculée en multipliant la largeur, la profondeur et la hauteur maximales. La contenance réelle pour les aliments est inférieure à cette valeur

LES SPÉCIFICATIONS PEUVENT ÊTRE CHANGÉES SANS PRÉAVIS LORS D'AMÉLIORATIONS APPORTÉES À L'APPAREIL.

FOUR ET ACCESSOIRES

1. Système de verrouillage de sécurité de la porte
2. Vitre du four
3. Bouton rotatif et touches de commande
4. Cavité du four
5. Plateau, gardez-le propre et exempt de dépôts de nourriture
6. Porte-grille pour YC-QG234A et YC-QG254A
7. Porte-grille pour YC-QG204A
8. Ouvertures de ventilation
9. Boîtier extérieur
10. Cordon d'alimentation

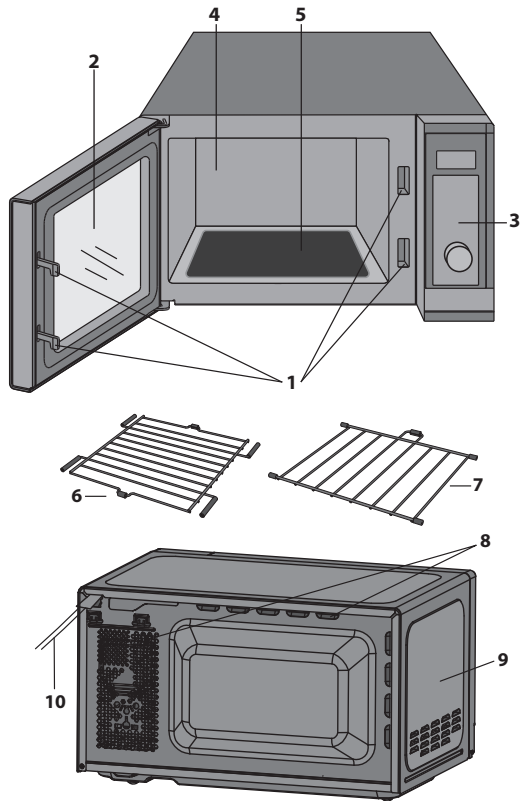
Assurez-vous que les accessoires suivants sont bien fournis avec le four :

Fours à gril uniquement :

- **Porte-grille** – à utiliser uniquement pour la cuisson sur la fonction gril.
- Le porte-grille est conçu pour être utilisé uniquement avec les fours à gril. N'utilisez PAS le rack lorsque vous utilisez uniquement la fonction micro-ondes.
- Pour l'utilisation du porte-grille, reportez-vous aux sections GRIL de ce manuel d'utilisation.
- NE retirez PAS les manchons des extrémités du support du gril.

Ne touchez jamais la grille lorsqu'elle est chaude.

REMARQUE : Lorsque vous commandez des accessoires, mentionnez deux éléments : le nom de la pièce et le nom du modèle.



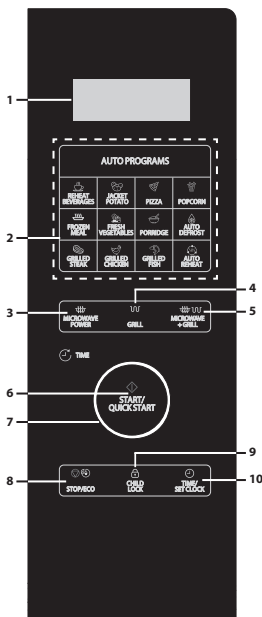
REMARQUES :

- Après la cuisson d'aliments gras sans couvercle, nettoyez toujours la cavité de manière approfondie, celle-ci devant être sèche et exempte de graisse. La graisse accumulée peut chauffer et commencer à fumer, voire s'enflammer.
- Lors de la cuisson au micro-ondes, placez toujours les ustensiles de cuisine sur la plaque de la base du four.
- N'utilisez PAS le porte-grille avec la fonction micro-ondes uniquement.

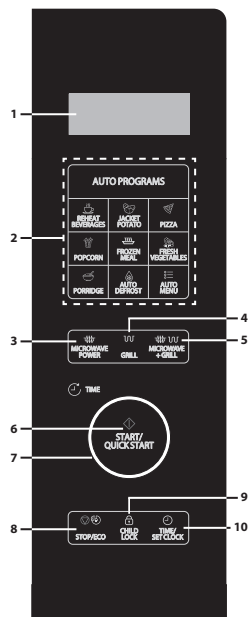
⚠ AVERTISSEMENT : **⚠** Ce symbole signifie que les surfaces sont susceptibles de chauffer pendant l'utilisation. La porte, le boîtier extérieur, la cavité du four et les accessoires peuvent devenir très chauds durant le fonctionnement. Pour éviter de vous brûler, utilisez toujours d'épais gants de cuisine anti-chaleur pour four.

PANNEAU DE COMMANDE

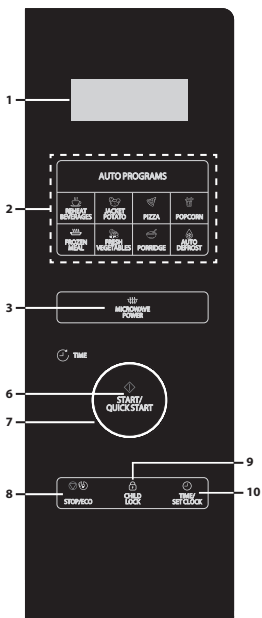
- AFFICHAGE NUMÉRIQUE** – Temps de cuisson, puissance, indicateurs et horloge sont affichés.
- Touches MENU AUTO** – Appuyez pour sélectionner le menu de cuisson automatique. (Consultez la page 19 pour des conseils d'utilisation).
- MICROWAVE POWER (PUISSANCE DU MICRO-ONDES)** – Appuyez pour sélectionner le niveau de puissance du micro-ondes. (Page 17).
- GRIL** – Appuyez pour lancer le programme de cuisson par gril. (Page 18).
- MICROWAVE+GRILL (MICRO-ONDES+GRIL)** – Appuyez sur régler le programme de cuisson combinée micro-ondes et grill. (Page 18).
- START/QUICK START (DÉMARRER/ DÉMARRAGE RAPIDE)** – (Page 18).
- BOUTON ROTATIF** - Tournez dans le sens horaire ou antihoraire pour régler diverses fonctions.
- STOP/ECO (ARRÊTER/ECO)** – Appuyez une fois pour arrêter temporairement la cuisson, ou deux fois pour annuler la cuisson complètement. Utilisez pour définir le mode d'économie d'énergie. (Page 20).
- CHILD LOCK (VERROUILLAGE ENFANT)** – (Page 21).
- TIME/SET CLOCK (HEURE/RÉGLER HORLOGE)** – Utilisez pour régler l'horloge. Utilisez la fonction de réglage du minuteur. (Page 16).



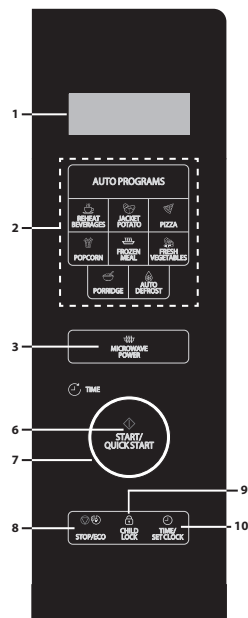
YC-QG234A, YC-QG254A



YC-QG204A



YC-QS254A



YC-QS204A

AVANT D'UTILISER LE FOUR

Lorsque le four est branché pour la première fois, un bip retentit et l'écran affiche **1:00**. Notez qu'il n'est pas nécessaire de régler l'horloge pour que le four fonctionne correctement. Pour régler l'horloge, suivez les instructions dans la section **Réglage de l'horloge** de ce manuel d'utilisation.

Lorsque le gril est neuf, la toute première fois qu'il est utilisé, il dégage de la fumée et des odeurs. Pour éviter que cela ne se produise pendant la cuisson d'aliments, utilisez la fonction gril sans aliments pendant environ 20 minutes.

- Après avoir ouvert et fermé la porte, le four passe en mode veille. Si vous n'appuyez sur aucune touche dans un délai d'une minute, l'affichage reste allumé et les boutons ne fonctionnent pas. Pour repasser en mode veille, ouvrez et fermez la porte.
- Pendant la cuisson, si vous appuyez sur **ARRÊTER/ECO** une fois, le cycle de cuisson est interrompu. Pour reprendre la cuisson, appuyez sur **DÉMARRER/DÉMARRAGE RAPIDE**. Si vous appuyez sur **ARRÊTER/ECO** deux fois, la cuisson est annulée.
- Lorsque vous programmez le four pour une fonction particulière et qu'il y a une pause de plus de 30 secondes entre deux pressions sur une touche, le four revient en mode veille.
- Une fois un cycle de cuisson terminé, l'écran affiche **End** et une tonalité se fera entendre toutes les deux minutes jusqu'à ce qu'un bouton soit enfoncé ou que la porte soit ouverte.

RÉGLAGE DE L'HORLOGE

Ce four est équipé d'une horloge qui peut être utilisée en mode 12 ou 24 heures. Pour régler l'horloge, suivez les instructions ci-dessous :

1. En mode veille, appuyez sur **HEURE/RÉGLER HORLOGE** pendant au moins 3 secondes pour entrer dans le mode de réglage de l'horloge.
 2. Appuyez sur **HEURE/RÉGLER HORLOGE** pour sélectionner le mode horloge à 12 ou 24 heures.
 3. Tournez le **BOUTON ROTATIF** pour régler l'heure. Appuyez sur **HEURE/RÉGLER HORLOGE** pour confirmer.
 4. Tournez le **BOUTON ROTATIF** pour régler les minutes. Appuyez sur **HEURE/RÉGLER HORLOGE** pour mémoriser les valeurs et fermer le mode de réglage de l'horloge.
- Il n'est pas nécessaire de régler l'horloge pour que le four fonctionne normalement.
 - En mode cuisson, appuyez sur **HEURE/RÉGLER HORLOGE** pour voir l'heure du jour (si elle est définie). L'heure repasse au compte à rebours de cuisson après 5 secondes. Notez que l'heure ne peut pas être visualisée si la minuterie de cuisine a été réglée.

CUISSON AU MICRO-ONDES

Pour utiliser la fonction micro-ondes, suivez les instructions données ci-dessous :

1. En mode veille, appuyez sur **PUISSANCE MICRO-ONDES** pour sélectionner le niveau de puissance. À chaque pression, l'écran affiche le niveau de puissance du micro-ondes.
2. Une fois le niveau de puissance de micro-ondes souhaité sélectionné, tournez le **BOUTON ROTATIF** pour sélectionner le temps de cuisson.
3. Appuyez sur la touche **DÉMARRER/DÉMARRAGE RAPIDE** pour démarrer la cuisson.
4. Une fois le cycle de cuisson terminé, l'écran affiche **End** et une tonalité se fera entendre toutes les deux minutes jusqu'à ce qu'un bouton soit enfoncé ou que la porte soit ouverte.

Notez que le tableau ci-dessous est donné à titre indicatif. Votre four dispose de 10 niveaux de puissance micro-ondes : 10 %, 20 %, 30 %, 40 %, 50 %, 60 %, 70 %, 80 %, 90 % et 100 %. La puissance de sortie réelle peut être calculée en multipliant la puissance du micro-ondes par le pourcentage.

Guide de cuisson au micro-ondes :

Affichage	Puissance micro-ondes	Utilisation recommandée
P100	100 %	Utilisez ce réglage pour la cuisson rapide ou le réchauffage, par ex., de plats cuisinés, boissons chaudes, légumes, etc.
P-80	80 %	Convient aux aliments denses nécessitant une cuisson traditionnelle prolongée (les plats de bœuf par exemple). Ce niveau de puissance est recommandé pour obtenir une viande tendre.
P-60	60 %	Utilisé pour la cuisson prolongée d'aliments denses comme les rôtis, les pains de viande et les plats cuisinés, ainsi que pour les plats délicats comme les sauces au fromage et les génoises.
P-40	40 %	Réglage de décongélation : sélectionnez ce niveau de puissance, afin de s'assurer que les aliments décongèlent de manière uniforme. Ce réglage est aussi parfait pour la cuisson du riz, des pâtes, des raviolis chinois et de la crème anglaise.
P-20	20 %	Pour une décongélation légère, par ex. pour les gâteaux à la crème ou pâtisseries.

- Pendant la cuisson, vous pouvez vérifier le niveau de puissance de cuisson en appuyant longuement sur la touche **PUISSANCE MICRO-ONDES**.
- Le temps de cuisson le plus long est de 95 minutes.

DÉMARRAGE RAPIDE

Si vous avez besoin de cuisiner à un niveau de puissance de 100 %, appuyez simplement sur **DÉMARRER/ DÉMARRAGE RAPIDE** sur le **BOUTON ROTATIF** en mode veille. Chaque fois que vous appuyez sur **DÉMARRER/ DÉMARRAGE RAPIDE**, cela ajoutera 30 secondes au temps de cuisson.

CUISSON AU GRIL*

L'élément chauffant du gril situé en haut de la cavité du four n'a qu'un seul réglage de puissance. Il est efficace et économique. Le gril est idéal pour la cuisson du bacon, du bifteck de porc, des bâtonnets de poisson et des gâteaux au thé.

Utilisez le porte-grille pour griller de petits aliments tels que le bacon et les saucisses, en les retournant à mi-cuisson. Les aliments peuvent être placés directement sur la grille, dans un plat à tarte ou sur une assiette résistant à la chaleur. Pour éviter que la graisse ou l'huile ne s'égoutte des aliments pendant la cuisson, veillez à placer un plateau approprié sous le porte-grille.

Pour faire dorer et croustiller la surface des aliments dans un plat à gratin, la grille peut être utilisée si le récipient est suffisamment peu profond. Cependant, il est conseillé de placer ces récipients directement sur la plaque de la base, afin de leur laisser un peu plus de temps pour dorer et croustiller comme souhaité.

Pour utiliser la fonction gril, suivez les instructions ci-dessous :

1. En mode veille, appuyez sur **GRIL** pour sélectionner la fonction gril. L'écran affichera **Grill**
2. Tournez le **BOUTON ROTATIF** pour sélectionner le temps de cuisson.
3. Appuyez sur la touche **DÉMARRER/ DÉMARRAGE RAPIDE** pour démarrer la cuisson.
4. Une fois le cycle de cuisson terminé, l'écran affiche **End** et une tonalité se fera entendre toutes les 2 minutes jusqu'à ce qu'un bouton soit enfoncé ou que la porte soit ouverte.

* - Modèles avec gril uniquement.

MICRO-ONDES + GRIL*

En utilisant à la fois les fonctions micro-ondes et gril, il est possible de faire dorer et cuire les aliments rapidement. Pour utiliser les fonctions micro-ondes et gril, suivez les instructions ci-dessous :

1. En mode veille, appuyez sur **MICROWAVE + GRILL** une ou deux fois pour sélectionner « Co-1 » ou « Co-2 ».
2. Tournez le **BOUTON ROTATIF** pour définir le temps de cuisson.
3. Appuyez sur la touche **DÉMARRER/ DÉMARRAGE RAPIDE** pour démarrer.
4. Une fois le cycle de cuisson terminé, l'écran affiche **End** et une tonalité se fera entendre toutes les deux minutes jusqu'à ce qu'un bouton soit enfoncé ou que la porte soit ouverte.

Fonction micro-ondes + gril

Affichage	Sortie	Utilisation recommandée
Co-1	70 % grill 30 % micro-ondes	Morceaux de poulet, poitrines de poulet, côtelettes de porc
Co-2	56 % grill 44 % micro-ondes	Poulet entier

- Le temps maximal de cuisson avec le gril est de 95 minutes.
- Pendant la cuisson, laissez la fumée ou les odeurs se disperser en ouvrant une fenêtre ou en mettant en marche la ventilation de la cuisine. Ce phénomène est normal et ne constitue pas un défaut du four.
- Pendant la cuisson, vous pouvez vérifier la puissance de cuisson combinée actuelle en appuyant sur **MICRO-ONDES + GRIL**.
- Lorsque vous utilisez la fonction gril, le gril s'allume et s'éteint à intervalles réguliers afin d'éviter toute surchauffe.
- Lors de l'utilisation de la fonction MICRO-ONDES+GRIL, les aliments peuvent être placés dans un récipient approprié directement sur la plaque de la base du four ou sur le porte-grille fourni.

ATTENTION : La porte, le boîtier extérieur, la cavité du four et les accessoires peuvent devenir très chauds durant le fonctionnement. Pour éviter de vous brûler, utilisez toujours d'épais gants de cuisine anti-chaleur pour four.

* - Modèles avec gril uniquement.

MENU AUTO

Pour plus de commodité, les programmes automatiques permettent de cuire les aliments rapidement et efficacement en appuyant sur quelques touches seulement. Il n'est pas nécessaire de programmer la durée et la puissance de cuisson, il suffit d'appuyer sur la touche de cuisson automatique souhaitée, d'entrer le poids et la quantité/le poids des aliments à cuire en tournant le **BOUTON ROTATIF** et d'appuyer sur le bouton **DÉMARRER/DÉMARRAGE RAPIDE**.

Par exemple, pour faire cuire deux pommes de terre au four.

1. Ouvrez la porte et placez les aliments dans le four à l'aide d'ustensiles adaptés au cycle de cuisson utilisé.
2. Fermez la porte.
3. Appuyez une fois sur la touche **JACKET POTATO**.
4. Tournez le **BOUTON ROTATIF** pour entrer le nombre de pommes de terre.
5. Appuyez sur la touche **DÉMARRER/DÉMARRAGE RAPIDE** pour confirmer.
6. Une fois le cycle de cuisson terminé, l'écran affiche **End** et une tonalité se fera entendre toutes les deux minutes jusqu'à ce qu'un bouton soit enfoncé ou que la porte soit ouverte.

Menus à cuisson automatique :

Menu Auto	Méthode pour sélectionner le poids ou le nombre	Taille/Poids	Pro-gramme automa-tique
Plat surgelé	Sélectionnez le poids en tournant le BOUTON ROTATIF , puis appuyez sur DÉMARRER/DÉMARRAGE RAPIDE pour commencer la cuisson.	200 à 800 g	-
Décongélation automatique		100 à 1800 g	-
Réchauffer des boissons	Sélectionnez le nombre de tasses en tournant le BOUTON ROTATIF , puis appuyez sur DÉMARRER/DÉMARRAGE RAPIDE pour commencer la cuisson.	1 à 3 tasses (200 mL chacune)	-
Pommes de terre en robe des champs	Sélectionnez le nombre de pommes de terre en tournant le BOUTON ROTATIF , puis appuyez sur DÉMARRER/DÉMARRAGE RAPIDE pour commencer la cuisson.	1 à 3 pommes de terre (230 g chacune)	-
Popcorn	Sélectionnez le poids en tournant le BOUTON ROTATIF , puis appuyez sur DÉMARRER/DÉMARRAGE RAPIDE pour commencer la cuisson.	Incréments de 100 g	-
Légumes frais		200 à 600 g	-
Pizza		150 g/300 g/450 g	-
Porridge		50 à 150 g	-
Steak grillé*		200 à 600 g	A-1
Poulet grillé*		200 à 600 g	A-2
Réchauffage automatique*		200 à 800 g	A-3
Poisson grillé*		100 à 500 g	A-4

* - Modèles avec gril uniquement.

- Le résultat de la cuisson automatique dépend de facteurs tels que la forme et la taille des aliments, votre préférence personnelle quant à la cuisson de certains aliments et la façon dont les aliments sont placés dans le four. Si le résultat de la cuisson n'est pas satisfaisant, ajustez le temps de cuisson en conséquence.

Remarque : Le bouton Menu Auto est uniquement utilisé sur les modèles YC-QG204A. Chaque fois que vous appuyez sur Menu Auto, l'écran affiche le programme automatique, comme dans le tableau ci-dessus. Lorsque vous trouvez le menu automatique souhaité, tournez le **BOUTON ROTATIF** pour sélectionner le poids des aliments à cuire.

DÉCONGÉLATION AUTOMATIQUE

La décongélation automatique permet de décongeler les aliments en fonction de leur poids. Le temps de décongélation et le niveau de puissance sont automatiquement réglés une fois la catégorie d'aliments et le poids programmés. Le poids des aliments congelés va de 100 à 1800 g.

1. En mode veille, appuyez sur **DÉCONGÉLATION AUTOMATIQUE**.
2. Tournez le **BOUTON ROTATIF** pour sélectionner le poids des aliments à décongeler.
3. Appuyez sur la touche **START/QUICK START** pour démarrer la décongélation.
4. Si le four s'arrête pendant le cycle de décongélation, retournez les aliments pour assurer une décongélation uniforme, puis appuyez sur **DÉMARRER/DÉMARRAGE RAPIDE** pour décongeler pendant le temps restant.
5. Une fois un cycle de décongélation terminé, l'écran affiche **End** et une tonalité se fera entendre toutes les deux minutes jusqu'à ce qu'un bouton soit enfoncé ou que la porte soit ouverte.

RÉCHAUFFAGE AUTOMATIQUE*

Le four vous permet de réchauffer les aliments en fonction du poids saisi par l'utilisateur.

Le temps de réchauffage et le niveau de puissance sont automatiquement réglés une fois la catégorie d'aliments et le poids programmés. Le poids de décongélation va de 200 à 800 g.

1. En mode veille, appuyez sur **RÉCHAUFFAGE AUTOMATIQUE**.
2. Tournez le **BOUTON à ROTATIF** pour sélectionner le poids des aliments à réchauffer
3. Appuyez sur **DÉMARRER/DÉMARRAGE RAPIDE**.
4. Une fois le cycle de cuisson terminé, l'écran affiche **End** et une tonalité se fera entendre toutes les deux minutes jusqu'à ce qu'un bouton soit enfoncé ou que la porte soit ouverte.

* - Modèles avec gril uniquement.

MINUTERIE

Le four est équipé d'une minuterie de cuisine qui effectue un compte à rebours à partir du temps programmé.

1. En mode veille, appuyez sur **HEURE/RÉGLER HORLOGE** une fois.
2. Tournez le **BOUTON ROTATIF** pour régler le temps souhaité. Le temps le plus long est de 95 minutes.
3. Appuyez sur la touche **START/QUICK START** pour confirmer.
4. L'écran affiche un compte à rebours à partir du temps programmé.
5. Lorsque l'affichage atteint zéro, une tonalité retentit.

Il est également possible d'utiliser le minuteur de cuisine en mode cuisson. Pour ce faire, suivez les étapes décrites ci-dessus pendant la cuisson de vos aliments. Une fois la minuterie de cuisine activée, elle s'affiche à l'écran pendant cinq secondes, puis l'écran revient au compte à rebours du cycle de cuisson. Pour afficher à nouveau la minuterie, appuyez sur **HEURE/RÉGLER HORLOGE** une fois, et le minuteur de cuisine s'affichera pendant cinq secondes, puis reviendra au compte à rebours de cuisson.

- Pour annuler le programme du **MINUTEUR**, appuyez la touche **STOP/ECO** et l'écran affichera l'heure.
- Si un cycle de cuisson a été lancé, il est possible de mettre en marche le minuteur de cuisine en suivant les mêmes étapes que ci-dessus.

FONCTION D'ÉCONOMIE D'ÉNERGIE

Cette fonction permet d'économiser de l'énergie lorsque le four n'est pas utilisé. Pour activer cette fonction en mode veille, maintenez **ARRÊTER/ECO** pendant 3 secondes. L'affichage s'éteint et le four arrête en mode d'économie d'énergie.

Pour annuler le mode d'économie d'énergie, appuyez sur n'importe quelle touche ou ouvrez et fermez la porte du four.

FONCTION MUET

Il est possible de couper tous les sons du micro-ondes à l'aide de la fonction de sourdine. Pour régler la fonction de sourdine, appuyez sur **VERROUILLAGE ENFANT** une fois, et l'écran affichera "**oFF**" pendant 5 secondes. En mode muet, aucun son n'est émis lorsque vous appuyez sur les touches.

Pour désactiver la fonction de sourdine, appuyez une fois sur le bouton **VERROUILLAGE ENFANT**, l'écran affichera "**on**" pendant 5 secondes pour indiquer que le son a été rétabli.

Si la fonction de mise en sourdine est réglée et que le four est débranché du secteur, elle sera annulée lors de la reconnexion au secteur.

SERRURE DE SÉCURITÉ

Une fonction automatique permet d'empêcher les enfants d'utiliser le four sans surveillance. En mode veille, si aucune opération n'est effectuée dans un délai d'une minute, le four passe automatiquement en mode de verrouillage enfant et le message "**Loc**" s'affiche sur l'écran. En état de verrouillage, tous les boutons sont désactivés. Si vous appuyez sur un bouton, l'indication de verrouillage apparaît sur l'affichage pendant 5 secondes pour rappeler à l'utilisateur d'annuler le verrouillage de sécurité.

Pour désactiver le verrou de sécurité, il suffit d'ouvrir et fermer la porte du micro-ondes, et le clavier redeviendra actif et le voyant de verrouillage s'éteindra.

VERROUILLAGE ENFANT

1. Pour régler le VERROUILLAGE ENFANT, maintenez la touche **VERROUILLAGE ENFANT** pendant 3 secondes, un long signal sonore retentit et l'écran indique "**Loc**". Le four est maintenant en mode VERROUILLAGE ENFANT. Dans ce mode, l'écran affiche l'horloge. Si une touche est enfoncée ou que la porte est ouverte, "**Loc**" s'affiche pendant dix secondes.
2. Pour annuler le VERROUILLAGE ENFANT, appuyez sur la touche **VERROUILLAGE ENFANT** pendant 3 secondes jusqu'à ce qu'un long signal sonore s'active.

NETTOYAGE ET ENTRETIEN

1. Éteignez le four et débranchez le cordon d'alimentation lorsque vous le nettoyez.
2. Gardez l'intérieur du four propre. Lorsque des éclaboussures d'aliments ou de liquides déversés adhèrent à la plaque de la base du four, essuyez-les avec un chiffon humide. Des détergents doux peuvent être utilisés si le four est très sale. Évitez d'utiliser des produits de nettoyage forts. Ils peuvent tâcher, rayer la surface ou ternir la porte.
3. L'extérieur du four doit être nettoyé avec un chiffon humide. Afin d'éviter tout dommage aux pièces opérationnelles à l'intérieur du four, il ne faut pas laisser l'eau couler dans les ouvertures de ventilation.
4. Essuyez la porte et la fenêtre des deux côtés, les joints de la porte et les pièces adjacentes avec un chiffon humide afin d'éliminer les éclaboussures.
5. N'utilisez pas de produits nettoyants abrasifs.
6. Ne nettoyez pas à la vapeur.
7. Ne laissez pas le panneau de commande se mouiller. Nettoyez avec un chiffon doux et humide. Lors du nettoyage du panneau de commande, laissez la porte du four ouverte pour empêcher le four de s'allumer accidentellement.
8. Si de la vapeur accumule à l'intérieur ou à l'extérieur de la porte du four, essuyez avec un chiffon doux. Cela peut se produire lorsque le four à micro-ondes est utilisé dans des conditions d'humidité élevée. Ce n'est pas un dysfonctionnement.
9. Nettoyez la plaque de la base du four régulièrement pour éviter la contamination et les risques d'arc électrique/de dommages potentiels. Il suffit d'essuyer la surface du fond du four avec un détergent doux.
10. Éliminez les odeurs du four en mélangeant une tasse d'eau avec le jus et la peau d'un citron dans un bol allant aux micro-ondes. Essuyez complètement et séchez avec un chiffon doux.
11. Si l'ampoule cesse de fonctionner, contactez le service client pour obtenir des conseils.
12. Le four doit être nettoyé régulièrement et les dépôts de nourriture doivent être enlevés. Si le four n'est pas maintenu dans un état propre, la surface pourrait se détériorer, ce qui pourrait nuire à la durée de vie de l'appareil et entraîner une situation dangereuse.
13. Veuillez ne pas jeter cet appareil avec les ordures domestiques. Consultez les réglementations de votre pays sur l'élimination de ce type de produit.

BIEN CHOISIR LA VAISSELLE

1. Le matériau idéal pour un ustensile de micro-ondes laisse passer les micro-ondes. Il permet à l'énergie de traverser le conteneur et de chauffer la nourriture.
2. Le micro-ondes ne peut pas pénétrer le métal, aussi les ustensiles métalliques ou plats avec une finition métallique ne doivent pas être utilisés.
3. N'utilisez pas de produits en papier recyclé pour la cuisson au micro-ondes, car ils peuvent contenir de petits fragments métalliques pouvant provoquer des étincelles et/ou des incendies.
4. Des plats ronds/ovales plutôt que carrés/oblongs sont recommandés, car la nourriture dans les coins a tendance à cuire excessivement.
5. Des bandes étroites de papier d'aluminium peuvent être utilisées pour empêcher la surcuisson des zones exposées. Mais attention à ne trop en utiliser, et conservez une distance de 2,54 cm entre la feuille et la cavité.

La liste ci-dessous est un guide général pour vous aider à sélectionner les bons ustensiles.

Ustensiles de cuisine	Micro-ondes micro-ondes	Gril	Commentaire
Plats brunisseurs	✓ / ✗	✗	Suivez toujours les instructions des fabricants. Ne dépassez pas les temps de cuisson donnés. Faites très attention, ces plats peuvent devenir très chauds.
Porcelaine et céramiques	✓ / ✗	✗	La porcelaine, la poterie, la faïence émaillée et la porcelaine fine sont habituellement adaptées, à part dans le cas de décorations métalliques.
Verre résistant à la chaleur	✓	✓	Il convient de s'assurer que les ustensiles de cuisson en verre peuvent être utilisés dans un four à micro-ondes.
Verre non résistant à la chaleur	✗	✗	
Céramique résistante à la chaleur	✓	✓	Veillez à ce que le matériau céramique ne soit pas trop épais ou à forte teneur en minéraux.
Plat en plastique compatible micro-ondes	✓	✗	Vérifiez toujours que les ustensiles de cuisine en plastique peuvent être utilisés dans un four à micro-ondes.
Essuie-tout	✓ / ✗	✗	N'utilisez que du papier essuie-tout recommandé pour les fours à micro-ondes.
Plats en verre, par ex. Pyrex®	✓ / ✗	✓	Restez vigilant lors de l'utilisation de verrerie fine, la chaleur brutale pouvant les craqueler ou les casser.
Plateaux en métal	✗	✓	Il n'est pas recommandé d'utiliser de récipients en métal, ceux-ci pouvant être source d'arcs électriques et causer des incendies.
Supports en métal	✗	✓	Il n'est pas recommandé d'utiliser de récipients en métal, ceux-ci pouvant être source d'arcs électriques et causer des incendies.
Papier aluminium Récipient en Aluminium	✓ / ✗	✓	De petits morceaux d'aluminium peuvent être utilisés pour empêcher les aliments de surchauffer. Gardez le papier aluminium à une distance d'au moins 2,54 cm des parois du four, des arcs électriques pouvant se former. Les récipients en papier aluminium ne sont pas recommandés, sauf si spécifié par le fabricant, par ex. Microfoil®. Suivez dans ce cas les instructions avec attention.
Film plastique	✓	✗	Ne doit pas toucher la nourriture et doit être percé pour laisser la vapeur s'échapper.
Plastique/Polystyrène par ex. récipients de restauration rapide	✓	✗	Il est important de bien faire attention à la cuisson, certains récipients pouvant se déformer, fondre ou se décoller à haute température.
Sachets de congélation / à griller	✓	✗	Doit être percé pour permettre à la vapeur de s'échapper. Assurez-vous que les sacs sont compatibles avec la cuisson micro-ondes.
Assiettes / Gobelets en papier et papier essuie-tout	✓	✗	N'utilisez pas d'attaches en plastique ou métal, celles-ci pouvant fondre ou s'enflammer à cause d'arcs électriques.
Paille et récipients en bois	✓	✗	Utilisez uniquement pour réchauffer ou absorber l'humidité. Surveillez soigneusement la cuisson, une surchauffe peut être source d'incendie.
Papier recyclé et journaux	✗	✗	Restez toujours à proximité du micro-ondes lors de l'utilisation de ces matériaux, leur surchauffe pouvant être cause de départ de feu. Peut contenir des résidus de métaux pouvant causer des arcs électriques et un départ de feu.



AVERTISSEMENT : Lorsque vous réchauffez un plat dans un récipient en plastique ou en papier, surveillez le four pour prévenir tout risque d'ignition.

REMARQUE : Ne laissez pas votre four sans surveillance pendant l'utilisation.

CONSEILS POUR LA CUISSON AU MICRO-ONDES

Les micro-ondes cuisent les aliments plus rapidement que la cuisson traditionnelle. Il est ainsi essentiel de suivre certaines techniques pour assurer de bons résultats. Un grand nombre des techniques suivantes sont similaires à celles utilisées dans la cuisine classique.



AVERTISSEMENT : Les liquides et aliments ne doivent pas être chauffés dans des contenants/pots scellés ou avec un couvercle, car la pression s'accumulerait à l'intérieur et pourrait causer l'explosion du contenant.

REMARQUES SUR LES CONSEILS DE CUISSON :

- Restez toujours à proximité du four lors de son utilisation.
- Vérifiez que les ustensiles sont appropriés à l'usage dans un four à micro-ondes.
- Utilisez uniquement la fonction Popcorn du micro-ondes dans les limites recommandées sur l'emballage (suivez les instructions du fabricant). N'utilisez jamais d'huile sauf mention contraire par le fabricant, et ne dépassez jamais le temps de cuisson indiqué.



ATTENTION : Si vous dépassez les temps de cuisson recommandés et utilisez des niveaux de puissance trop élevés, la nourriture peut surchauffer, brûler et même prendre feu et endommager le four dans les cas extrêmes.

Arranger

Placez les parties les plus épaisses de la nourriture vers l'extérieur du plat, par exemple des pilons de poulet. Les aliments placés vers l'extérieur du plat recevront plus d'énergie, et cuiront donc plus rapidement que ceux au centre.

Couvrir

Certains aliments devraient être couverts pendant la cuisson au micro-ondes. Utilisez du film plastique pour micro-ondes ou un couvercle adapté.

Percer

Les aliments à coquille, peau ou membrane doivent être percés à plusieurs endroits avant cuisson ou réchauffage, car la vapeur s'accumule et peut causer l'explosion des aliments, par ex. pour les pommes de terre, le poisson, le poulet, les saucisses.

REMARQUE : Les œufs ne doivent pas être chauffés en utilisant la fonction micro-ondes car ils peuvent exploser, même une fois leur cuisson terminée, par exemple si vous réchauffez des œufs pochés, frits ou à la coque.

Mélanger, tourner et réarranger

Pour une cuisson uniforme, il est essentiel de mélanger, tourner et réarranger les aliments pendant la cuisson. Mélangez et réarrangez toujours de l'extérieur vers le centre.

Laisser reposer

Un temps de repos est nécessaire après cuisson, car cela permet à la chaleur de se disperser uniformément dans la nourriture.

Caractéristiques de la nourriture	
Composition	Les aliments riches en gras ou en sucre (par ex. flans, pâtés) nécessitent moins de temps de chauffage. Attention pour éviter les surchauffes qui peuvent conduire à des incendies. Les os des aliments conduisent la chaleur, ce qui cuit la nourriture plus rapidement. Attention à cuire de tels aliments uniformément.
Densité	La densité de nourriture affectera le temps de cuisson nécessaire. Les aliments légers et poreux, comme les gâteaux ou le pain, cuisent plus rapidement que les aliments lourds et denses, comme les rôtis et les ragoûts.
Quantité	La quantité de micro-ondes dans votre four reste la même, quelle que soit la quantité d'aliments placés dans le four. Le temps de cuisson doit être augmenté en fonction de la quantité par ex. il faut plus de temps pour cuire quatre pommes de terre que deux.
Taille	Les petits aliments cuisent plus rapidement que les grands, car les micro-ondes peuvent pénétrer de tous les côtés jusqu'au centre. Pour une cuisson uniforme, utilisez des morceaux de taille similaire.
Forme	Les aliments qui sont de forme irrégulière, comme les poitrines ou les pilons de poulet nécessiteront plus de temps de cuisson pour les parties les plus épaisses. Pour une cuisson uniforme, placez les morceaux les plus épais vers l'extérieur du plat, où ils recevront plus d'énergie. Les formes rondes cuiront plus uniformément que les formes carrées au micro-ondes.
Température de la nourriture	La température initiale de la nourriture affecte le temps de cuisson requis. Les aliments frais nécessiteront plus de temps de cuisson que ceux à température ambiante. La température du conteneur n'est pas une véritable indication de la température de la nourriture ou boisson. Coupez les aliments avec garniture, comme les beignets à la confiture, pour libérer la chaleur ou la vapeur.



AVERTISSEMENT : Visage et mains : portez toujours des gants de cuisine pour retirer des aliments ou ustensiles du four. Restez en arrière lorsque vous ouvrez la porte du four pour permettre la dissipation de la chaleur ou de la vapeur. Lors du retrait des couvercles (film plastique par exemple), de l'ouverture de sacs de cuisson ou d'emballages de popcorn, attention à ne pas laisser la vapeur atteindre vos mains et votre visage.



AVERTISSEMENT : Vérifiez la température des aliments et boissons, et mélangez-les avant de les servir. Faites particulièrement attention lorsque vous servez des nourrissons, enfants ou personnes âgées. Le contenu des biberons et petits pots doit être mélangé ou secoué, et la température doit être vérifiée avant consommation pour éviter les brûlures.

CONSEILS POUR LA DÉCONGÉLATION

Le micro-ondes est la méthode de décongélation la plus rapide du four. C'est un processus simple, mais les instructions suivantes sont essentielles pour vous assurer que la nourriture est bien décongelée.

- Retirez l'emballage complet avant décongélation.
- Pour décongeler des aliments, utilisez les niveaux de puissance de micro-ondes de P-20 à P-40.
- Consultez la suite pour plus d'informations.

Réarranger

Les aliments placés vers l'extérieur du plat seront décongelés plus rapidement que ceux au centre. Il est donc essentiel d'arranger la nourriture jusqu'à 4 fois lors de la décongélation.

Déplacez les morceaux étroitement emballés de l'extérieur vers le centre et réorganisez les zones de chevauchement. Cela assurera la décongélation uniforme des aliments.

Séparer

Les aliments peuvent être collés lors de leur retrait du congélateur. Il est important de séparer les aliments dès que possible lors de la décongélation.

par ex. tranches de jambon, filets de poulet.

Protéger

Certaines zones de la nourriture peuvent devenir chaudes. Pour éviter qu'elles deviennent trop chaudes et commencent à cuire, ces zones doivent être protégées par de petits morceaux de papier aluminium, qui réfléchit les micro-ondes, par ex. sur les cuisses et ailes de poulet.

Laisser reposer

Un temps de repos est nécessaire pour assurer la décongélation complète de la nourriture.

La décongélation n'est pas terminée lorsque la nourriture est sortie du micro-ondes. La nourriture doit rester couverte pendant un certain temps pour s'assurer que le centre est complètement décongelé.

Retourner

Il est essentiel que tous les aliments soient retournés jusqu'à 4 fois pendant la décongélation.

Il est important de garantir la décongélation complète.

CONSEILS POUR LE RÉCHAUFFAGE

Pour réchauffer des aliments, suivez les conseils et les instructions ci-dessous pour vous assurer que la nourriture est complètement réchauffée avant de la servir.

Plateaux-repas

Enlevez les morceaux de viande ou de volaille, réchauffez-les séparément, voir ci-dessous.

Placez les petits morceaux au centre de l'assiette, et les morceaux plus gros au bord. Couvrez avec un film plastique et réchauffez sur le niveau de puissance P-50. Mélangez/Réarrangez à la moitié du temps de réchauffage.

REMARQUE : Assurez-vous que la nourriture est complètement réchauffée avant de la servir.

Viande émincée

Couvrez avec du film plastique pour micro-ondes et réchauffez sur le niveau de puissance P-60. Réarrangez au moins une fois pour assurer un réchauffage uniforme.

REMARQUE : Assurez-vous que la viande est complètement réchauffée avant de la servir.

Morceaux de volaille

Placez les morceaux les plus gros au bord de l'assiette, couvrez avec du film plastique pour micro-ondes et réchauffez sur le niveau de puissance P-70.

Retournez les aliments à mi-temps.

REMARQUE : Assurez-vous que la volaille est complètement réchauffée avant de la servir.

Ragoûts

Couvrez avec du film plastique pour micro-ondes et réchauffez sur le niveau de puissance P-50.

Mélangez fréquemment pour assurer un réchauffage uniforme.

REMARQUE : Assurez-vous que la nourriture est complètement réchauffée avant de la servir.

Pour obtenir les meilleurs résultats lors du réchauffage, sélectionnez un niveau de puissance de micro-ondes adapté pour le type de nourriture. Par exemple, un bol de légumes peut être réchauffé avec le niveau de puissance P-100, alors que des lasagnes contenant des ingrédients ne pouvant pas être mélangés doivent être réchauffées avec le niveau de puissance P-40.

REMARQUES :

- Retirez la nourriture des contenants en aluminium ou en métal avant de la réchauffer.
- Les temps de réchauffage varient en fonction de la forme, de l'épaisseur, de la quantité et de la température de la nourriture, ainsi que de la taille, de la forme et du matériau du contenant.



AVERTISSEMENT : Ne chauffez pas de liquide dans un récipient à col étroit, car le contenu du récipient peut déborder rapidement et provoquer des brûlures.

- Pour éviter les surchauffes et incendies, faites attention lorsque vous réchauffez des plats ayant une forte proportion de sucre ou de graisse, comme des tartes ou des gâteaux.
- Ne chauffez jamais l'huile ou la graisse à frire, car cela peut provoquer une surchauffe et un incendie.
- Les pommes de terre en conserve ne doivent pas être chauffées dans le four à micro-ondes, suivez les instructions du fabricant sur la boîte.



AVERTISSEMENT : Veillez à remuer ou à agiter le contenu des biberons et pots pour bébé et à vérifier leur température avant qu'ils ne soient consommés pour éviter toute brûlure.

DÉPANNAGE

Si vous pensez que le four ne fonctionne pas correctement, voici quelques vérifications simples que vous pouvez effectuer vous-même avant d'appeler un technicien. Cela vous évitera des appels inutiles au centre de service si la cause du problème est simple.

Suivez les vérifications simples décrites ci-dessous :

Placez une demi-tasse d'eau sur la plaque de la base du four et fermez la porte. Programmez le four pour cuire 1 minute en utilisant le niveau de puissance de micro-ondes P-100.

1. Est-ce que la lampe s'allume pendant la cuisson ?
2. Est-ce que le ventilateur de refroidissement fonctionne ? (Vérifiez en plaçant votre main au-dessus des ouvertures de ventilation.)
3. Entendez-vous le signal sonore après 1 minute ?
4. L'eau dans la tasse est-elle chaude ?

Si la réponse à une de ces questions est NON, vérifiez d'abord que le four est bien branché et que le fusible n'a pas sauté. S'il n'y a pas de problème de ce côté-là, consultez le tableau de dépannage ci-dessous.



ATTENTION : Ne jamais bricoler, réparer ou modifier vous-même le four. Il est dangereux pour quiconque d'autre qu'un ingénieur SHARP formé d'effectuer l'entretien ou des réparations. Ce point est important car il peut impliquer le retrait de couvercles qui offrent une protection contre l'énergie des micro-ondes.

- Le joint de la porte empêche les fuites de micro-ondes pendant le fonctionnement, mais ne forme pas un joint étanche. Il est normal de voir des gouttes d'eau ou de la lumière, ou de sentir de la chaleur autour de la porte du four. La nourriture avec une haute teneur en humidité dégagera de la vapeur et causera de la condensation à l'intérieur de la porte qui peut s'écouler hors du four.
- Réparations et modifications : n'essayez pas d'utiliser le four s'il ne fonctionne pas correctement.
- Cabinet extérieur et lampe d'accès : Ne retirez jamais le boîtier externe. Cela est très dangereux en raison de la présence de pièces haute tension qui ne doivent jamais être touchées, car cela peut provoquer une électrocution fatale.
Votre four n'est pas équipé d'un couvercle d'accès à la lampe. Si la lampe est en panne, ne tentez pas de remplacer la lampe vous-même, et appelez un centre de service agréé SHARP.

TABLEAU DE DÉPANNAGE

PROBLÈME	RÉPONSE
De l'eau circule autour de la porte.	Lorsque le four fonctionne, l'air circule dans la cavité. La porte ne forme pas un joint étanche, et de l'air peut donc s'échapper de la porte.
De la condensation se forme dans le four et peut s'écouler de la porte.	La cavité du four est normalement plus froide que les aliments cuisinés, et la chaleur produite lors de cuisson se condense donc sur la surface plus froide. La quantité de vapeur produite dépend de la teneur en eau de l'aliment cuisiné. Certains aliments, comme les pommes de terre ont une haute teneur en humidité. La condensation prise dans la vitre de la porte devrait s'évaporer après quelques heures.
Des clignotements ou arcs électriques sont visibles dans la cavité lors de la cuisson.	Les arcs électriques se produisent lorsqu'un objet métallique est à proximité immédiate de la cavité du four pendant la cuisson. Cela peut éventuellement dépolir la surface de la cavité, sans endommager le four pour autant.
Arcs électriques lors de la cuisson de pommes de terre.	Veillez à éliminer les œillets et à percer les pommes de terre. Placez-les directement sur la plaque de la base du four ou dans un plat résistant à la chaleur ou contenant semblable.
Le four ne fonctionne pas lorsque vous appuyez sur DÉMARRER/DÉMARRAGE RAPIDE.	Vérifiez que la porte est bien fermée.
Le four chauffe trop lentement;	Assurez-vous d'avoir sélectionné le bon niveau de puissance.
Le four émet un son.	L'énergie des micro-ondes s'active et se désactive en séquence lors de la cuisson/décongélation. Le four émet un bip toutes les minutes et l'affichage indique « Fail ». Si vous appuyez sur les touches du panneau de commande sans interruption pendant plus d'une minute, cette erreur se produira.
Le boîtier extérieur est chaud.	Le boîtier peut devenir chaud au toucher, maintenez les enfants à l'écart.

AVANT D'APPELER L'ASSISTANCE

Avant de demander un service, vérifiez chacun des éléments ci-dessous :

- Vérifiez que le four est bien branché. Si ce n'est pas le cas, retirez la fiche de la prise, attendez 10 secondes et rebranchez de façon sûre.
- Vérifiez si un fusible du circuit a sauté ou si un coupe-circuit a été déclenché. S'ils semblent fonctionner correctement, testez la prise avec un autre appareil.
- Vérifiez que les boutons d'alimentation et de minuterie sont correctement réglés.
- Vérifiez que la porte est bien fermée et qu'elle engage le système de verrouillage de sécurité. Sinon, l'énergie des micro-ondes ne circulera pas dans le four.

SI AUCUNE DE CES MESURES NE RÉSOUT LE PROBLÈME, CONTACTEZ UN TECHNICIEN QUALIFIÉ. NE TENTEZ PAS DE RÉGLER OU RÉPARER LE FOUR VOUS-MÊME.



Uwaga:

Państwo jest oznaczony tym symbolem. Oznacza on, że zużytych urządzeń elektrycznych i elektronicznych nie można łączyć ze zwykłymi odpadami z gospodarstw domowych. Dla tych produktów istnieje oddzielny system zbiórki odpadów.



www.sharpconsumer.com/contact/



www.sharpconsumer.com/support/



www.sharpconsumer.com/documents-of-conformity/

A. Informacje dla użytkowników (prywatnych gospodarstw domowych) dotyczące usuwania odpadów

1. W krajach Unii Europejskiej

Uwaga: Jeśli chcą Państwo usunąć to urządzenie, prosimy nie używać zwykłych pojemników na śmieci!

Zużyty sprzęt elektryczny i elektroniczny należy usuwać oddzielnie, zgodnie z wymogami prawa dotyczącymi odpowiedniego przetwarzania, odzysku i recyklingu zużytego sprzętu elektrycznego i elektronicznego.

Po wdrożeniu przepisów unijnych w Państwach Członkowskich prywatne gospodarstwa domowe na terenie krajów UE mogą bezpłatnie* zwracać zużyty sprzęt elektryczny i elektroniczny do wyznaczonych punktów zbiórki odpadów.

W niektórych krajach* można bezpłatnie zwrócić stary produkt do lokalnych punktów sprzedaży detalicznej pod warunkiem, że zakupią Państwo podobny nowy produkt.

*) W celu uzyskania dalszych informacji na ten temat należy skontaktować się z lokalnymi władzami.

Jeśli twój zużyty sprzęt elektryczny lub elektroniczny posiada baterie albo akumulatory, usuń je wcześniej zgodnie z lokalnymi wymogami. Prawidłowo usuwając ten produkt, przyczyniasz się do właściwej utylizacji odpadów, odzyskiwania zasobów i recyklingu. Jednocześnie zapobiegasz potencjalnemu negatywnemu wpływowi na środowisko i zdrowie ludzkie, który miałoby nieprawidłowe usunięcie urządzenia.

2. Kraje pozaunijne

W celu uzyskania szczegółowych informacji na temat prawidłowej metody pozbycia się zużytych baterii, prosimy o kontakt z władzami lokalnymi.

W Szwajcarii: Zużyte urządzenia elektryczne lub elektroniczne można bezpłatnie zwracać do sprzedawcy, nawet jeśli nie zostanie zakupiony nowy produkt. Szczegóły na temat punktów zbiórki odpadów są wymienione na stronie: www.swico.ch lub www.sens.ch.

B. Informacje dla użytkowników biznesowych dotyczące usuwania odpadów

1. W krajach Unii Europejskiej

W przypadku, gdy produkt używany jest do celów biznesowych i zamierzają go Państwo usunąć:

Należy skontaktować się z autoryzowanym sprzedawcą firmy SHARP, który poinformuje o możliwości zwrotu wyrobu. Być może będą Państwo musieli ponieść koszty zwrotu i recyklingu produktu. Produkty niewielkich rozmiarów (i w małych ilościach) można zwrócić do lokalnych punktów zbiórki odpadów.

W Hiszpanii: W celu usunięcia zużytego produktu prosimy o skontaktowanie się wyznaczonym punktem systemu zbiórki odpadów lub władzami lokalnymi.

2. Kraje pozaunijne

W celu uzyskania szczegółowych informacji na temat prawidłowej metody pozbycia się zużytych baterii, prosimy o kontakt z władzami lokalnymi.

Aby uzyskać informacje o serwisie przejdź do strony www.sharpconsumer.com/contact/; aby uzyskać informacje o warunkach gwarancji przejdź do strony www.sharpconsumer.com/support/ lub skontaktuj się ze sprzedawcą urządzenia.

Deklaracje zgodności są dostępne na stronie: www.sharpconsumer.com/documents-of-conformity/

ŚRODKI OSTROŻNOŚCI, KTÓRYCH NALEŻY PRZESTRZEGAĆ, ABY UNIKNĄĆ MOŻLIWOŚCI NARAŻENIA SIĘ NA DZIAŁANIE MIKROFAL

1. Nie wolno używać kuchenki przy otwartych drzwiczkach, ponieważ może to spowodować narażenie się na szkodliwe działanie promieniowania mikrofal. Ważne jest, aby nie blokować działania układów zabezpieczających ani nie manipulować przy nich.
2. Nie wolno wsuwać jakichkolwiek przedmiotów między przednią powierzchnię kuchenki a drzwiczki i nie dopuszczać do gromadzenia się zanieczyszczeń lub pozostałości środków czyszczących na powierzchniach uszczelniających.
3. Nie wolno używać kuchenki, jeśli nie działa prawidłowo. Bardzo ważne jest, aby drzwiczki kuchenki zamykały się prawidłowo, a także by drzwiczki oraz zawiasy, zatrzaski, uszczelki drzwiczek i powierzchnie uszczelniające nie były uszkodzone.
4. Nie wolno samodzielnie naprawiać ani regulować urządzenia.

SPIS TREŚCI

WAŻNE INFORMACJE DOTYCZĄCE BEZPIECZEŃSTWA	3
INSTALACJA	12
ZAKŁÓCENIA FAL RADIOWYCH	13
WSKAZÓWKI DOTYCZĄCE UZIEMIENIA	13
DANE TECHNICZNE	13
KUCHENKA I JEJ WYPOSAŻENIE	14
PANEL STEROWANIA	15
PRZED PIERWSZYM UŻYCIEM KUCENKI	16
USTAWIENIE ZEGARA	16
TRYB PRACY Z MIKROFALAMI	17
SZYBKI START	18
TRYB PRACY Z GRILLEM*	18
GOTOWANIE PRZY UŻYCIU MIKROFAL I GRILLA	18
PROGRAMY AUTOMATYCZNEGO GOTOWANIA	19
AUTOMATYCZNE ROZMRAŻANIE	20
AUTOMATYCZNE PODGRZEWANIE*	20
TIMER KUCHENNY	20
TRYB OSZCZĘDZANIA ENERGII	21
FUNKCJA WYCISZENIA	21
BLOKADA PRZYCISKÓW	21
BLOKADA RODZICIELSKA	21
CZYSZCZENIE I KONSERWACJA	22
PRZYDATNE NACZYNIA	23
PORADY DOTYCZĄCE GOTOWANIA PRZY WYKORZYSTANIU MIKROFAL	24
PORADY DOTYCZĄCE ROZMRAŻANIA	26
PORADY DOTYCZĄCE PODGRZEWANIA	27
ROZWIĄZYWANIE PROBLEMÓW	28
ZANIM WEZWIESZ POMOC	29

* - Dotyczy wyłącznie modeli z funkcją grilla.

WAŻNE INFORMACJE DOTYCZĄCE BEZPIECZEŃSTWA

PRZECZYTAJ UWAŻNIE I ZACHOWAJ NA PRZYSZŁOŚĆ

Aby uniknąć niebezpieczeństwa pożaru. Nie powinno się pozostawiać pracującej kuchenki bez nadzoru. Ustawienie zbyt wysokiego poziomu mocy lub zbyt długiego czasu gotowania może doprowadzić do przegrzania potrawy i spowodować pożar.

Opisywana kuchenka została zaprojektowana do instalacji na blacie szafki. Nie jest przeznaczona do instalacji w zabudowie. Nie wolno umieszczać kuchenki wewnątrz szafki. Gniazdko elektryczne, do którego podłączana jest kuchenka, musi być stale dostępne, żeby w razie konieczności można było po prostu wyciągnąć wtyczkę.

Napięcie sieci musi wynosić 230–240 V~, 50 Hz, instalacja elektryczna powinna być wyposażona w bezpiecznik/wyłącznik automatyczny o dopuszczalnym prądzie 10 A lub większym. Zaleca się podłączenie urządzenia do niezależnego obwodu prądu.

Nie należy stawiać urządzenia w pobliżu źródeł ciepła, np. w pobliżu zwykłego piecyka. Nie należy instalować kuchenki w miejscach o dużej wilgotności lub tam, gdzie może się skraplać para. Nie należy przechowywać ani użytkować urządzenia na wolnym powietrzu.

Jeśli podgrzewane produkty zaczną dymić, wyłącz kuchenkę lub odłącz wtyczkę i odczekaj, aż podgrzewane produkty przestaną dymić.

Należy stosować wyłącznie pojemniki i naczynia przeznaczone do kuchenek mikrofalowych.

Korzystając z plastikowych, papierowych lub innych łatwopalnych pojemników na żywność nigdy nie pozostawiaj

wiaj urządzenia bez nadzoru.

Oslonę źródła mikrofal i komorę operacyjną należy oczyścić po użyciu. Części te powinny być suche i bez tłuszczu. Nagromadzony tłuszcz może się przegrzać, zacząć dymić lub zapalić się.

W pobliżu urządzenia lub jego otworów wentylacyjnych nie wolno przechowywać materiałów łatwopalnych. Nigdy nie blokuj otworów wentylacyjnych.

Usuwać z produktów i opakowań wszystkie metalowe zamknięcia, druty itp. Powstawanie łuku elektrycznego na powierzchniach metalu może doprowadzić do pożaru.

Nie używaj kuchni mikrofalowej do smażenia potraw w głębokim oleju. Temperatury oleju nie można kontrolować i tłuszcz może się zapalić.

Do prażenia kukurydzy powinny być używane wyłącznie do tego przeznaczone naczynia.

Nie przechowuj w urządzeniu żadnej żywności ani innych przedmiotów.

Po uruchomieniu kuchenki sprawdź ustawienia, żeby upewnić się, że pracuje ona zgodnie z życzeniem.

Nie wolno pozostawiać pracującej kuchenki bez nadzoru.

Żeby uniknąć przegrzania lub pożaru, należy zachować szczególną ostrożność podczas gotowania i podgrzewania potraw zawierających duże ilości cukru lub tłuszczu, np. krokietów z mięsem lub budyniu. Niniejszej instrukcji obsługi należy używać razem z podanymi dalej wskazówkami dotyczącymi gotowania.

Żeby uniknąć obrażeń ciała.

Nie używaj kuchenki, jeżeli jest uszkodzona lub wykazuje wadliwe funkcjonowanie. Przed użyciem sprawdź następujące punkty:

- a) Drzwiczki muszą się zamykać prawidłowo i nie mogą być skrzywione lub scentrowane.
- b) Należy się upewnić, że zawiasy oraz zatraski bezpieczeństwa nie są złamane ani luźne.
- c) Należy się upewnić, że uszczelki drzwiczek i powierzchnie uszczelniające nie są uszkodzone.
- d) Należy się upewnić, że wewnątrz urządzenia i na drzwiczkach nie ma żadnych wgnieceń ani innych uszkodzeń.
- e) Należy się upewnić, że przewód zasilający oraz wtyczka nie są uszkodzone.

Nie używaj kuchenki, jeśli drzwiczki lub uszczelki drzwiczek są uszkodzone. Naprawę należy powierzyć wykwalifikowanym pracownikom serwisu.

Nigdy nie próbuj samodzielnie regulować, naprawiać ani modyfikować urządzenia. Wszelkie naprawy, zwłaszcza wiążące się z otwarciem obudowy, mogą być przeprowadzone wyłącznie przez wykwalifikowanych pracowników serwisu firmy SHARP.

Nie używaj kuchenki przy otwartych drzwiczkach lub zamknięciu przerobionym w jakikolwiek sposób. Nie używaj kuchenki, jeśli pomiędzy uszczelkami drzwiczek a powierzchniami uszczelniającymi znajdują się jakieś przedmioty.

Nie dopuszczaj do gromadzenia się tłuszczu i zabrudzeń na uszczelkach drzwiczek i sąsiednich elementach.

Stosuj się do wskazówek z rozdziału „Czyszczenie i konserwacja”. Dopuszczenie do nadmiernego zanieczyszczenia kuchenki może spowodować zniszczenie jej ścianek, doprowadzić do jej przedwczesnego zużycia oraz może wywołać sytuacje niebezpieczne.

Osoby mające ROZRUSZNIK SERCA powinny zapytać swojego lekarza lub producenta rozrusznika o środki ostrożności podczas posługiwania się kuchenkami mikrofalowymi.

Żeby uniknąć porażenia prądem elektrycznym.

- W żadnym wypadku nie wolno zdejmować zewnętrznej obudowy kuchenki.
- Nie należy wprowadzać żadnych przedmiotów ani płynów w otwory zatrząsków bezpieczeństwa drzwiczek ani w otwory wentylacyjne. Jeśli jakiś płyn rozleje się wewnątrz kuchenki, urządzenie należy natychmiast wyłączyć, wyjąć wtyczkę przewodu zasilającego z gniazda i zwrócić się do serwisu firmy SHARP.
- Przewodu zasilającego ani wtyczki nie wolno zanurzać w wodzie ani jakiegokolwiek innej cieczy.
- Przewód nie powinien być zawieszony na krawędzi stołu lub blatu kuchennego.
- Przewód zasilający należy prowadzić z dala od powierzchni nagrzewających się, włącznie z tylną ścianką kuchenki.
- Dzieciom poniżej 8 roku życia należy uniemożliwić zbliżanie się do kuchenki i przewodu zasilającego.
- Nie wolno samodzielnie wymieniać lampki oświetleniowej w kuchence ani też pozwalać, by wymieniał ją ktokolwiek, niebędący elektrykiem upoważnionym przez firmę SHARP.
- Jeśli ulegnie uszkodzeniu przewód zasilający, musi on zostać wymieniony przez upoważnionego pracownika serwisu firmy SHARP.

OSTRZEŻENIE: Płynów i innych pokarmów nie wolno podgrzewać w zamkniętych pojemnikach, ponieważ mogą one eksplodować. Podczas przenoszenia pojemnika z płynem podgrzanym w kuchence należy zachować szczególną ostrożność, ponieważ może nastąpić opóźnione wykipienie cieczy.

Nigdy nie wolno używać szczelnie zamkniętych pojemników. Przed użyciem należy zdjąć pokrywki i wieczka. Szczelnie zamknięte pojemniki mogą wybuchnąć wskutek wzrostu ciśnienia, nawet po wyłączeniu kuchenki. Przy podgrzewaniu płynów

w kuchence należy zachować szczególną ostrożność. Stosuj naczynia o szerokim wylocie, aby pęcherzyki pary mogły swobodnie uchodzić.

Nigdy nie należy ogrzewać płynów w pojemnikach o wąskich szyjkach, takich jak butelki dla niemowląt, ponieważ gorący płyn może z nich gwałtownie wytrysnąć, powodując oparzenia.

Żeby uniknąć gwałtownego wytrysnięcia wrzącej cieczy i oparzeń:

1. Nie należy przekraczać zalecanych czasów podgrzewania.
2. Płyn należy przed podgrzaniem zamieszać.
3. Wskazane jest włożenie do naczynia szklanej pałeczki lub podobnego przedmiotu na czas ogrzewania.
4. Po zakończeniu ogrzewania płyn należy pozostawić co najmniej 20 sekund w kuchence, aby zapobiec opóźnionemu wykipieniu.

Nie należy używać kuchenki do gotowania jajek w skorupkach ani do podgrzewania jajek gotowanych na twardo. Mogą one eksplodować nawet po zakończeniu procesu gotowania. Przed gotowaniem lub podgrzewaniem jajek nie roztrzepanych czy rozmieszanych należy przekłuć żółtko i białko. Jajka ugotowane na twardo należy przed podgrzewaniem w kuchence mikrofalowej obrać i pokrajać w plasterki.

Przed gotowaniem należy przekłuć skórkę takich produktów jak ziemniaki, parówki i owoce – w przeciwnym razie mogą eksplodować.

OSTRZEŻENIE: W celu uniknięcia poparzeń należy zawsze sprawdzać temperaturę pokarmów dla niemowląt i mieszać zawartość butelek i naczyń przed podaniem. Podczas wyjmowania potraw z kuchenki należy używać chwytak

do garnków lub rękawic kuchennych. Żeby uniknąć poparzeń:

- Pojemniki, naczynia do prażenia kukurydzy, woreczki do pieczenia itp. należy otwierać w taki sposób, by para nie wydobywała się z nich na twarz i ręce. W celu uniknięcia poparzeń należy zawsze sprawdzać temperaturę pokarmów i mieszać je przed podaniem; szczególną ostrożność należy zachować w przypadku temperatury pokarmów i napojów przeznaczonych dla niemowląt, małych dzieci oraz osób starszych. Nie wolno dopuścić, żeby do kuchenki zbliżały się małe dzieci, ponieważ niektóre jej elementy bardzo się nagzewają. Temperatura naczynia nie jest miarodajnym wskaźnikiem temperatury pokarmu czy napoju; zawsze należy sprawdzać temperaturę samego pokarmu.
- Temperatura naczynia nie jest miarodajnym wskaźnikiem temperatury pokarmu czy napoju; zawsze należy sprawdzać temperaturę samego pokarmu.
- Przy otwieraniu drzwiczek kuchenki należy zachować ostrożność, by nie ulec poparzeniu wydobywającą się z wnętrza parą i falą gorąca.
- Pieczone potrawy z nadzieniem należy po przyrządzeniu pokrajać w plastry, by para mogła ująć.
- Nie wolno pozwalać dzieciom, żeby zbliżały się do drzwiczek podczas pracy kuchenki, ponieważ mogłyby się poparzyć.

OSTRZEŻENIE: Dzieci w wieku od ośmiu lat mogą korzystać z kuchenki bez nadzoru tylko, jeśli zostały szczegółowo poinstruowane o sposobie bezpiecznego używania urządzenia i rozumieją ryzyko związane z niewłaściwym użyciem.

Dzieci mogą korzystać z kuchenki wyłącznie pod nadzorem opiekunów, jeśli urządzenie pracuje w trybie GRILL, PRACY KOMBINOWANEJ Z GRILLEM, PRACY Z TERMOOBIEGIEM lub PROGRAMIE AUTOMATYCZNEGO GOTOWANIA

(dostępne tryby pracy zależą od modelu kuchenki), ponieważ kuchenka w tym czasie jest bardzo gorąca.

Urządzenie to nie może być obsługiwane przez osoby (włącznie z dziećmi) z obniżonymi zdolnościami fizycznymi, zmysłowymi bądź umysłowymi, a także przez osoby bez doświadczenia i wiedzy na temat obsługi, chyba że dostały pozwolenie, bądź udzielono im instrukcji obsługi urządzenia przez osobę odpowiedzialną za ich bezpieczeństwo.

Dzieci powinny pozostawać pod opieką, aby nie bawiły się urządzeniem. Czyszczenie kuchenki przeprowadzane przez dzieci powinno być monitorowane.

Modele z elektronicznym panelem dotykowym obsługują tryb blokady rodzicielskiej.

Nie wolno opierać się ani huścić na drzwiczkach kuchenki. Nie wolno traktować kuchenki jako przedmiotu do zabawy.

Dzieciom należy wpoić zasady bezpieczeństwa: używanie rękawic kuchennych, ostrożne zdejmowanie pokrywek, zachowanie szczególnej ostrożności co do opakowań (np. materiałów samonagrzewających się), gdyż opakowania te mogą być bardzo gorące.

Inne ostrzeżenia:

Nie wolno w żaden sposób samodzielnie dokonywać modyfikacji kuchenki.

Nie wolno poruszać kuchenką podczas jej pracy.

Opisywane urządzenie przeznaczone jest tylko do użytku w gospodarstwach domowych. Kuchenka służy wyłącznie do przygotowywania potraw i napojów w warunkach domowych i można jej używać tylko do takich celów. Suszenie żywności lub odzieży oraz ogrzewanie poduszek rozgrzewających, kapci, gąbek, wilgotnych ściereczek itp. może doprowadzić do obra-

żeń, zapalenia się lub pożaru. Kuchenka nie jest przeznaczona do użytku przemysłowego ani laboratoryjnego.

Żeby zapewnić niezawodną pracę kuchenki i uniknąć uszkodzeń:

Nigdy nie należy włączać pustej kuchenki. Używając naczyń powodującego rumienienie potraw lub materiałów samona-grzewających się, zawsze należy pod nimi umieścić izolację termiczną, na przykład porcelanowy talerz, aby zapobiec uszkodzeniu podstawy urządzenia na skutek nadmiernego wzrostu temperatury. Niedopuszczalne jest przekraczanie czasu podgrzewania, podanego w przepisach.

Nie wolno używać naczyń metalowych odbijających mikrofałę i mogących spowodować powstawanie łuków elektrycznych. Nie wkładaj do kuchenki puszek.

Aby zapobiec pęknięciu talerza obrotowego lub podstawy kuchenki:

- a) Przed rozpoczęciem mycia wodą należy odczekać dopóki kuchenka nie ostygnie.
- b) Nie wolno ustawiać gorących ani zimnych produktów lub naczyń na zimnej podstawie kuchenki.
- c) Podczas pracy urządzenia nie należy na jego obudowie stawiać jakichkolwiek przedmiotów.

UWAGA:

Nie wolno używać plastikowych naczyń, jeśli komora operacyjna nie ostygła jeszcze po użyciu w trybie pracy kombinowanej (w zależności od modelu kuchenki), ponieważ mogłyby się roztopić.

W wymienionych trybach nie wolno używać plastikowych naczyń, o ile ich producent nie zaznaczył, że są one do tego celu przeznaczone.

W przypadku wątpliwości co do sposobu przyłączenia kuchen-

ki należy skontaktować się z upoważnionym, wykwalifikowanym elektrykiem.

Producent ani sprzedawca nie ponoszą żadnej odpowiedzialności za uszkodzenie kuchenki lub obrażenia ciała, powstałe wskutek zaniedbania poprawnych połączeń elektrycznych.

Na ściankach kuchenki lub wokół uszczelki drzwiczek może czasami pojawiać się para wodna lub krople wody. Jest to zjawisko normalne i nie świadczy o wydobywaniu się mikrofal na zewnątrz ani o wadliwym działaniu kuchenki.

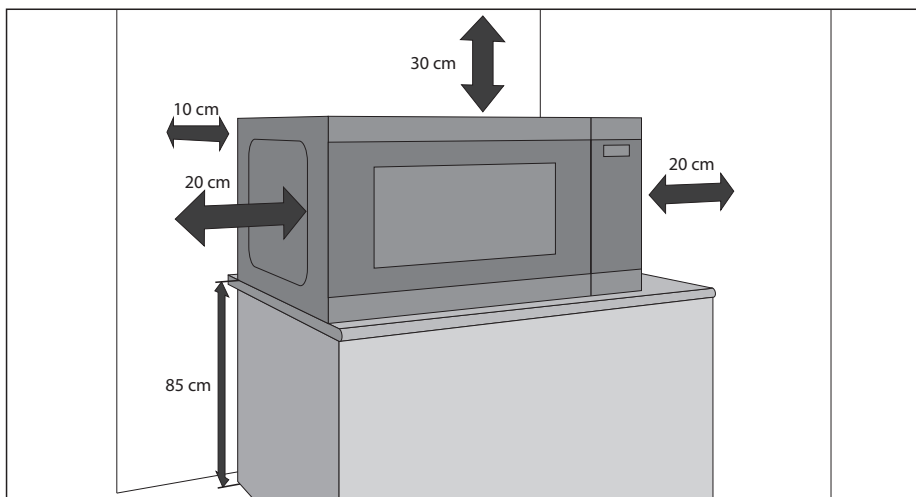
Opisywane urządzenie przeznaczone jest do użytku w gospodarstwach domowych i w podobnych zastosowaniach: w pomieszczeniach kuchennych przeznaczonych dla personelu w sklepach, biurach i innych miejscach pracy / w gospodarstwach rolnych / przez klientów w hotelach, motelach i innych miejscach zakwaterowania / w pensjonatach.



Ten symbol oznacza, że ścianki kuchenki bardzo się nagrzewają.

INSTALACJA

1. Wyjmij ze środka kuchenki wszystkie elementy opakowania i zdejmij warstwę ochronną znajdującą się na obudowie urządzenia.
2. Upewnij się, że kuchenka nie nosi żadnych śladów uszkodzenia.
3. Ustaw kuchenkę na równym i płaskim podłożu, dostatecznie wytrzymałym, by mogło unieść ciężar kuchenki wraz z przyrządzaną w niej żywnością. Nie wolno umieszczać kuchenki wewnątrz szafki.
4. Wybierz miejsce, które zapewni dostateczną ilość wolnej przestrzeni dla prawidłowego działania otworów wlotowych i/lub wylotowych powietrza. Zapoznaj się z rysunkiem na pierwszej stronie. Tylną ściankę kuchenki można ustawić przy ścianie.
 - Minimalna wysokość instalacji wynosi 85 cm.
 - Pomiędzy kuchenką a sąsiadującymi ścianami lub przedmiotami należy pozostawić przynajmniej 20 cm wolnej przestrzeni.
 - Nad kuchenką należy pozostawić co najmniej 30 cm wolnej przestrzeni.
 - Nie należy demontować nóżek znajdujących się na spodzie kuchenki.
 - Zablokowanie otworów wlotowych i/lub wylotowych powietrza może spowodować uszkodzenie kuchenki.
 - Kuchenkę należy ustawić w możliwie największej odległości od odbiorników radiowych i telewizyjnych. Korzystanie z kuchenki mikrofalowej może powodować zakłócenia odbiorników radiowych i telewizyjnych.



5. Podłącz wtyczkę kuchenki do standardowego uziemionego gniazdka elektrycznego.

OSTRZEŻENIE:

- Nie należy stawiać urządzenia w pobliżu źródeł ciepła, w miejscach o dużej wilgotności (np. w pobliżu zwykłego piekarnika) lub w pobliżu palnych materiałów (np. zasłon).
- Nie należy blokować ani zasłaniać otworów wentylacyjnych.
- Nie należy ustawiać żadnych przedmiotów na obudowie urządzenia.
- Nie wolno dotykać zewnętrznych powierzchni kuchenki podczas pracy lub krótko po jej zakończeniu, ponieważ są gorące.

ZAKŁÓCENIA FAŁ RADIOWYCH

Pracująca kuchenka mikrofalowa może powodować zakłócenia odbiorników radiowych i telewizyjnych lub podobnego sprzętu. W przypadku wystąpienia zakłóceń można je zmniejszyć lub wyeliminować podejmując poniższe środki:

1. Oczyszczyć drzwiczki i komorę operacyjną w miejscu, w którym się stykają.
2. Zmienić kierunek ustawienia anteny odbiornika radiowego lub telewizyjnego.
3. Zmienić położenie kuchenki względem odbiornika.
4. Podłączyć kuchenkę mikrofalową do innego gniazdka elektrycznego, aby kuchenka i odbiornik były podłączone do innych obwodów.

WSKAZÓWKI DOTYCZĄCE UZIEMIENIA

Opisywane urządzenie należy uziemić. Kuchenka jest wyposażona w przewód zasilający z wtyczką z uziemieniem. Wtyczkę należy podłączyć do prawidłowo zainstalowanego gniazdka elektrycznego z uziemieniem. W przypadku wystąpienia zwarcia elektrycznego uziemienie zmniejsza zagrożenie porażenia prądem poprzez przepływ prądu przewodem uziemiającym. Zaleca się podłączenie kuchenki do niezależnego obwodu prądu.



OSTRZEŻENIE: Nieprawidłowe użycie wtyczki z uziemieniem może doprowadzić do porażenia prądem.

UWAGA:

1. W przypadku jakichkolwiek wątpliwości dotyczących prawidłowego uziemienia kuchenki lub zaleceń dotyczących instalacji elektrycznej należy skontaktować się z wykwalifikowanym elektrykiem lub personelem autoryzowanego serwisu.
2. Producent ani sprzedawca nie ponoszą żadnej odpowiedzialności za uszkodzenie kuchenki lub obrażenia ciała, powstałe wskutek zaniedbania poprawnych połączeń elektrycznych.

Przewód zasilający kuchenki mikrofalowej wykorzystuje następujące kolory przewodów:

Zielono-żółty = UZIEMIENIE

Niebieski = NEUTRALNY

Brazowy = NAPIĘCIOWY

DANE TECHNICZNE

Typ kuchenki:	YC-QS204A	YC-QS254A	YC-QG204A	YC-QG234A	YC-QG254A
Napięcie zasilające	230–240 V~/ 50 Hz, prąd zmiennej jednofazowy				
Bezpiecznik/wyłącznik automatyczny	10 A				
Poziom moc:					
Naczynie przeznaczone	800 W	900 W	800 W	900 W	900 W
Grill			1000 W	1000 W	1000 W
Tryb oszczędzania energii	> 0,5 W	> 0,5 W	> 0,5 W	> 0,5 W	> 0,5 W
Wymagana moc wejściowa	1200 W	1400 W	1200 W	1400 W	1400 W
Częstotliwość mikrofal	2450 MHz*				
Wymiary zewnętrzne (szer.) x (wys.) x (gł.) mm	457 x 272 x 379	490 x 288 x 395	457 x 272 x 391	490 x 288 x 393	490 x 288 x 411
Wymiary komory operacyjnej (szer.) x (wys.) x (gł.)** mm	315 x 180 x 328	340 x 197 x 338	315 x 180 x 328	340 x 197 x 338	340 x 197 x 340
Pojemność kuchenki	20 litrów**	25 litrów**	20 litrów**	23 litry**	25 litrów**
Wymiary tacy (szer.) x (wys.) x (gł.) mm	262 x 262				
Wymiary rusztu grilla (szer.) x (gł.) mm			294 x 236	315 x 308	315 x 308
Masa	ok. 11,7 kg	ok. 13,3 kg	ok. 12,4 kg	ok. 14,4 kg	ok. 14,6 kg
Lampka oświetleniowa (typ LED)	1,5 W				

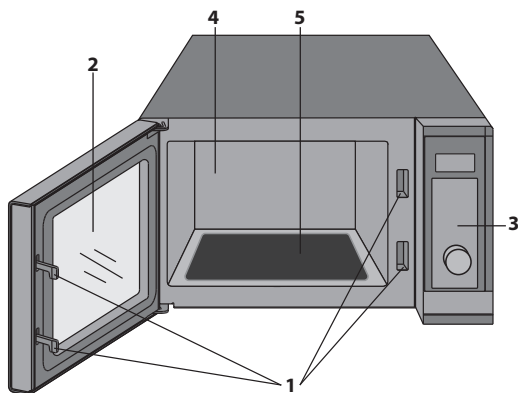
* - Opisywane urządzenie spełnia wymagania europejskiego standardu EN55011. Zgodnie z tym standardem urządzenie zostało sklasyfikowane jako sprzęt należący do grupy 2 i klasy B. Przynależność do grupy 2 oznacza, że urządzenie w sposób zamierzony generuje fale radiowe służące do podgrzewania jedzenia. Przynależność do klasy B oznacza, że urządzenie może pracować w gospodarstwach domowych.

** - Pojemność kuchenki jest obliczana poprzez pomnożenie maksymalnej szerokości, głębokości i wysokości komory operacyjnej. Rzeczywista pojemność przeznaczona na potrawę jest mniejsza.

STAWIAJĄC SOBIE ZA CEL CIĄGŁE DOSKONALENIE SWOICH PRODUKTÓW FIRMA SHARP ZASTRZEGA SOBIE PRAWO DO ZMIANY WYGLĄDU I DANYCH TECHNICZNYCH URZĄDZENIA BEZ UPRZEDZENIA.

KUCHENKA I JEJ WYPOSAŻENIE

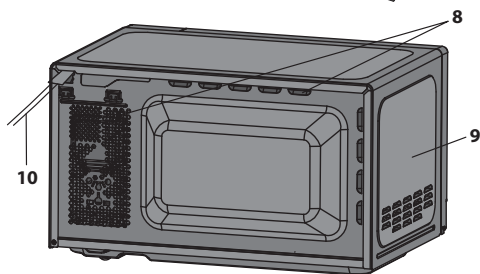
1. System blokady drzwiczek
2. Szyba w drzwiczkach
3. Pokrętko jog i przyciski
4. Komora operacyjna
5. Taca, którą należy utrzymać w czystości i usuwać z niej wszystkie pozostałości jedzenia
6. Ruszt grilla do modeli YC-QG234A i YC-QG254A
7. Ruszt grilla do modelu YC-QG204A
8. Otwory wentylacyjne
9. Obudowa
10. Przewód zasilający



Należy upewnić się, że wraz z kuchenką dostarczone zostały następujące akcesoria:

Dotyczy wyłącznie kuchenek z grillem:

- **Ruszt grilla** – tylko do gotowania w trybie grilla.
- Ruszt grilla jest przeznaczony wyłącznie do użytku z kuchenkami z funkcją grilla. **NIE WOLNO** używać rusztu w trybie pracy z samymi mikrofalami.
- Informacje na temat korzystania z rusztu grilla można znaleźć w sekcjach dotyczących trybów pracy z GRILLEM w niniejszej instrukcji obsługi.
- **NIE WOLNO** zdejmować osłon z końcówek rusztu.




Nigdy nie dotykaj nagrzanego rusztu.

UWAGA: W celu zamówienia wyposażenia dodatkowego należy podać typ kuchenki oraz nazwę części.

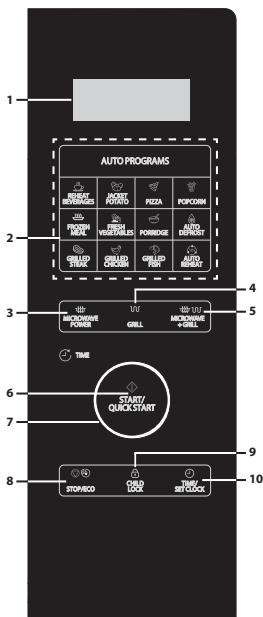
UWAGI:

- Po przygotowaniu tłustych potraw bez użycia osłony zawsze dokładnie wyczyść komorę operacyjną – musi być ona sucha i wolna od tłuszczu. Nagromadzony tłuszcz może spowodować przegrzanie, dymienie, a nawet pożar.
- Podczas gotowania w kuchenke mikrofalowej naczynia kuchenne należy zawsze umieszczać na płaskim spodzie kuchenki.
- **NIE WOLNO** stosować rusztu grilla podczas procesu wykorzystującego wyłącznie funkcję gotowania mikrofalami.

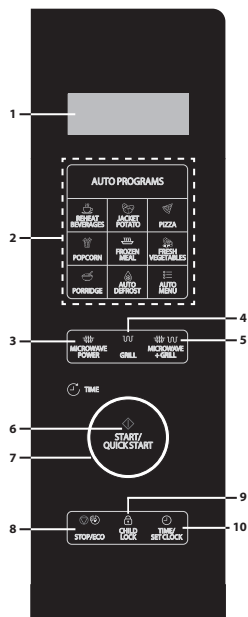
⚠ OSTRZEŻENIE:  Ten symbol oznacza, że ścianki kuchenki bardzo się nagzewają. Drzwiczki, obudowa, komora operacyjna, elementy wyposażenia i naczynia bardzo silnie się nagzewają podczas pracy kuchenki. Wyjmując naczynia z kuchenki należy chwytać je przez grube rękawice, żeby zapobiec poparzeniom.

PANEL STEROWANIA

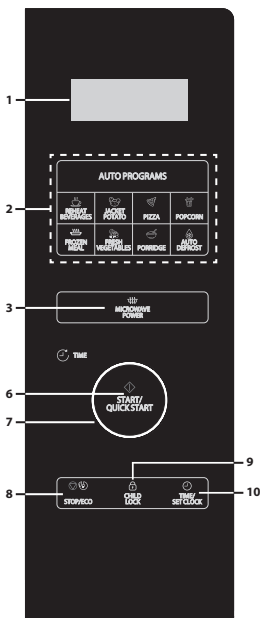
- WYŚWIETLACZ** – Wyświetlany jest czas trwania procesu, poziom mocy, wskaźniki i aktualna godzina.
- Przyciski **AUTOMATYCZNEGO GOTOWANIA** – Naciśnij, aby wybrać program automatycznego gotowania (patrz strona 19, aby uzyskać porady dotyczące użytkowania).
- Przycisk MICROWAVE POWER** – Naciśnij, aby wybrać poziom mocy mikrofal (strona 17).
- Przycisk **GRILL** – Naciśnij, aby ustawić program pracy z grillem (strona 18).
- Przycisk **MICROWAVE+GRILL** – Naciśnij, aby ustawić program pracy kombinowanej z grillem (strona 18).
- Przycisk **START/QUICK START** – (strona 18).
- POKRĘTŁO JOG** – Obracaj w prawo lub lewo, aby ustawić różne funkcje.
- Przycisk **STOP/ECO** – Naciśnij jeden raz, aby tymczasowo przerwać pracę kuchenki, albo naciśnij dwa razy, aby całkowicie anulować proces. Wykorzystaj do ustawienia trybu oszczędzania energii (strona 21).
- Przycisk **CHILD LOCK** – (strona 21).
- Przycisk **TIME/SET CLOCK** – Wykorzystaj do ustawienia godziny. Użyj do ustawienia funkcji timera (strona 16).



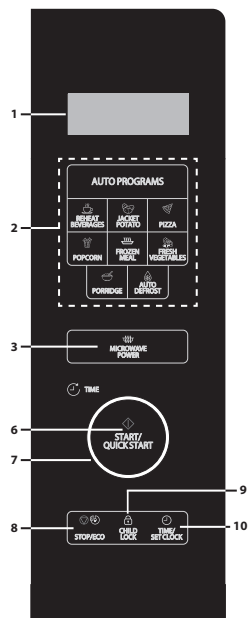
YC-QG234A, YC-QG254A



YC-QG204A



YC-QS254A



YC-QS204A

PRZED PIERWSZYM UŻYCIEM KUCENKI

Po pierwszym podłączeniu kuchenki do zasilania zostanie wyemitowany sygnał dźwiękowy, a na wyświetlaczu pojawi się wskazanie „1:00”. Należy pamiętać, że zegar nie musi zostać ustawiony, aby kuchenka działała prawidłowo. Aby ustawić zegar, należy postępować zgodnie ze wskazówkami podanymi w sekcji „**Ustawienie zegara**” w niniejszej instrukcji obsługi.

Jeśli kuchenka jest nowa, przy pierwszym użyciu grilla zostaną wydzielone dym i zapachy. Aby uniknąć takiej sytuacji podczas przygotowania potraw, należy uruchomić kuchenkę bez żywności na 20 minut w trybie z grillem.

- Po otwarciu i zamknięciu drzwiczek kuchenka przełączy się do trybu czuwania. Jeśli nie zostanie naciśnięty żaden przycisk przez jedną minutę, wyświetlacz pozostanie włączony, a przyciski nie będą działać. Aby ponownie przełączyć kuchenkę do trybu czuwania, należy otworzyć i zamknąć drzwiczki.
- Jeśli podczas procesu naciśniesz jeden raz przycisk **STOP/ECO**, cykl gotowania zostanie wstrzymany. Aby wznowić proces, naciśnij przycisk **START/QUICK START**. Jeśli dwa razy naciśniesz przycisk **STOP/ECO**, proces zostanie anulowany.
- Po zaprogramowaniu danej funkcji i przerwie między naciśnięciem przycisków trwającej ponad 30 sekund kuchenka powróci do trybu czuwania.
- Po zakończeniu cyklu gotowania na wyświetlaczu pojawi się napis „**End**” i co dwie minuty będzie emitowany sygnał dźwiękowy do chwili naciśnięcia przycisku lub otwarcia drzwiczek.

USTAWIENIE ZEGARA

Opisywana kuchenka została wyposażona w zegar, który można ustawić w formacie 12- lub 24-godzinnym. Aby ustawić zegar, należy postępować zgodnie ze wskazówkami podanymi poniżej:

1. W trybie czuwania naciśnij i przytrzymaj przycisk **TIME/SET CLOCK** przez co najmniej trzy sekundy, aby przejść do trybu ustawienia zegara.
 2. Naciśnij przycisk **TIME/SET CLOCK**, aby ustawić format 12- lub 24-godzinnym.
 3. Obróć **POKRĘTŁO JOG**, aby ustawić godzinę. Naciśnij przycisk **TIME/SET CLOCK**, aby zapamiętać.
 4. Obróć **POKRĘTŁO JOG**, aby ustawić minuty. Naciśnij przycisk **TIME/SET CLOCK**, aby zapamiętać i zakończyć tryb ustawienia zegara.
- Nie jest konieczne ustawienie zegara, aby kuchenka działała normalnie.
 - W trybie gotowania naciśnij przycisk **TIME/SET CLOCK**, aby sprawdzić aktualną godzinę (jeśli została ustawiona). Po pięciu sekundach wskazanie zmieni się z powrotem na odliczanie czasu gotowania. Należy pamiętać, że nie można wyświetlić aktualnej godziny, jeśli zostanie ustawiony timer kuchenny.

TRYB PRACY Z MIKROFALAMI

Aby skorzystać z funkcji gotowania mikrofalami, należy postępować zgodnie ze wskazówkami podanymi poniżej:

1. W trybie czuwania naciśnij przycisk **MICROWAVE POWER**, aby wybrać poziom mocy mikrofal. Po każdym naciśnięciu przycisku wyświetlacz pokazuje poziom mocy mikrofal.
2. Po wyborzeżądanego poziomu mocy mikrofal obróć **POKRĘTŁO JOG**, aby ustawić czas trwania procesu.
3. Naciśnij przycisk **START/QUICK START**, aby rozpocząć proces.
4. Po zakończeniu cyklu gotowania na wyświetlaczu pojawi się napis „End” i co dwie minuty będzie emitowany sygnał dźwiękowy do chwili naciśnięcia przycisku lub otwarcia drzwiczek.

Należy pamiętać, że tabela ma charakter orientacyjny. Opisywana kuchenka posiada dziesięć poziomów mocy mikrofal: 10%, 20%, 30%, 40%, 50%, 60%, 70%, 80%, 90% i 100%. Rzeczywistą moc wyjściową można obliczyć mnożąc moc mikrofal przez procenty.

Wskazówki dotyczące gotowania przy użyciu mikrofal:

Wskazanie na wyświetlaczu	Poziom mocy mikrofal	Sugerowany sposób użycia
P-100	100%	Należy stosować podczas szybkiego gotowania lub podgrzewania potraw, np. duszonego mięsa, gorących płynów, warzyw itp.
P-80	80%	Należy stosować do gęstych potraw, które wymagają długiego czasu gotowania w przypadku gotowania tradycyjnego, na przykład dań z wołowiny. Użycie tego poziomu mocy mikrofal jest wskazane, żeby mięso było miękkie.
P-60	60%	Należy stosować podczas dłuższego gotowania gęstych potraw (np. pieczeni, klopsów i potraw w panierce) oraz delikatnych dań, na przykład sosu serowego czy pulchnego ciasta.
P-40	40%	Służy do rozmrażania. Wybierz to ustawienie, żeby zapewnić równomierne rozmrożenie dania. Jest ono również idealne w przypadku gotowanego ryżu, makaronu, knedli i słodkiego sosu z gotowanych jajek z dodatkiem mąki.
P-20	20%	Służy do łagodnego rozmrażania, na przykład tortu lub ciasta z kremem.

- Podczas trwania procesu można sprawdzić poziom mocy naciskając i przytrzymując przycisk **MICROWAVE POWER**.
- Najdłuższy czas możliwy do ustawienia wynosi 95 minut.

SZYBKI START

Jeśli chcesz przygotowywać potrawę przy poziomie mocy mikrofal 100%, po prostu w trybie czuwania naciśnij przycisk **START/QUICK START** na **POKRĘTLE JOG**. Każde naciśnięcie przycisku **START/QUICK START** powoduje zwiększenie czasu trwania procesu o 30 sekund.

TRYB PRACY Z GRILLEM*

Element grzejny grilla zamontowany nad komorą operacyjną kuchenki ma tylko jedno ustawienie mocy, jest wydajny i ekonomiczny. Tryb grilla jest doskonały do przygotowywania bekonu, steków wieprzowych, paluszków rybnych i bułeczek z rodzynekami.

Skorzystaj z ruszta grilla podczas grillowania jedzenia o małych rozmiarach, takich jak bekon i kiełbaski, upływie połowy czasu grillowania przewróć na drugą stronę. Jedzenie można umieszczać bezpośrednio na ruszcie lub na ustawionym na nim naczyniu żaroodpornym. Pod rusztem należy umieścić odpowiednią tacę, ponieważ tłuszcz lub olej może kapać z przygotowywanej potrawy.

Do przyrumienienia i nadania kruchości powierzchni potrawy w naczyniu żaroodpornym można użyć ruszta grilla, jeśli naczynie jest dostatecznie płytkie. Jednak zaleca się umieszczanie tego rodzaju naczyń bezpośrednio na płaskim spodzie, aby zapewnić trochę więcej czasu na przyrumienienie i nadanie kruchości zgodnie z życzeniem.

Aby skorzystać z trybu grilla, należy postępować zgodnie ze wskazówkami podanymi poniżej:

1. W trybie czuwania naciśnij przycisk **GRILL**, aby wybrać tryb pracy z grillem. Na wyświetlaczu pojawi się napis „Grill”
2. Obróć **POKRĘTŁO JOG**, aby ustawić czas przygotowania potrawy.
3. Naciśnij przycisk **START/QUICK START**, aby rozpocząć proces.
4. Po zakończeniu cyklu gotowania na wyświetlaczu pojawi się napis „End” i co dwie minuty będzie emitowany sygnał dźwiękowy do chwili naciśnięcia przycisku lub otwarcia drzwiczek.

* - Dotyczy wyłącznie modeli z funkcją grilla.

GOTOWANIE PRZY UŻYCIU MIKROFAL I GRILLA

Wykorzystanie trybu mikrofal i grilla umożliwi szybkie przyrumienianie i gotowanie potraw. Aby korzystać z trybu mikrofal i grilla, należy postępować zgodnie ze wskazówkami podanymi poniżej:

1. W trybie czuwania naciśnij jeden lub dwa razy przycisk **MICROWAVE+GRILL**, aby wybrać opcję „Co-1” lub „Co-2”.
2. Obróć **POKRĘTŁO JOG**, aby ustawić czas trwania procesu.
3. Naciśnij przycisk **START/QUICK START**, aby rozpocząć gotowanie.
4. Po zakończeniu cyklu gotowania na wyświetlaczu pojawi się napis „End” i co dwie minuty będzie emitowany sygnał dźwiękowy do chwili naciśnięcia przycisku lub otwarcia drzwiczek.

Tryb pracy z mikrofalami i grillem

Wskazanie na wyświetlaczu	Moc	Sugerowany sposób użycia
Co-1	Przez 70% czasu gotowania wykorzystywany jest grill, a przez 30% czasu używane są mikrofałe	Części kurczaka, piersi kurczaka, kotlety wieprzowe
Co-2	Przez 56% czasu gotowania wykorzystywany jest grill, a przez 44% czasu używane są mikrofałe	Cały kurczak

- Maksymalny czas gotowania z wykorzystaniem grilla wynosi 95 minut.
- Podczas grillowania należy otworzyć okno lub włączyć wyciąg kuchenny, żeby zapewnić prawidłowe odprowadzanie dymu i zapachów. Jest to zjawisko normalne i nie świadczy o uszkodzeniu kuchenki.
- Podczas trwania procesu można sprawdzić aktualny poziom mocy w trybie pracy kombinowanej naciskając przycisk **MICROWAVE + GRILL**.
- Podczas korzystania z trybu grilla – element grzejny grilla będzie się włączał i wyłączał w regularnych odstępach czasu, aby zapobiec przegraniu.
- Podczas **GOTOWANIA PRZY UŻYCIU MIKROFAL I GRILLA** potrawę w odpowiednim naczyniu można umieścić bezpośrednio na płaskim spodzie kuchenki lub na dostarczonym w zestawie ruszcie grilla.

OSTRZEŻENIE: Drzwiczki, obudowa, komora operacyjna, elementy wyposażenia i naczynia bardzo silnie się

nagrzewają podczas pracy kuchenki. Wyjmując naczynia z kuchenki należy chwycić je przez grube rękawice, żeby zapobiec poparzeniom.

* - Dotyczy wyłącznie modeli z funkcją grilla.

PROGRAMY AUTOMATYCZNEGO GOTOWANIA

Dla wygody programy automatycznego gotowania umożliwiają szybkie i skuteczne przygotowanie potraw za pomocą zaledwie kilku naciśnień przycisków. Nie jest konieczne programowanie czasu trwania procesu ani poziomu mocy. Wystarczy nacisnąć odpowiedni przycisk programu automatycznego gotowania, wprowadzić masę/ilość sztuk obracając **POKRĘTŁO JOG**, a następnie nacisnąć przycisk **START/QUICK START**.

Przykład: Gotowanie dwóch ziemniaków w mundurkach.

1. Otwórz drzwiczki i umieść potrawę wewnątrz kuchenki, w naczyniu odpowiednim do ustawionego cyklu gotowania.
2. Zamknij drzwiczki.
3. Naciśnij jeden raz przycisk **JACKET POTATO**.
4. Obróć **POKRĘTŁO JOG**, aby wprowadzić liczbę ziemniaków.
5. Naciśnij przycisk **START/QUICK START**.
6. Po zakończeniu cyklu gotowania na wyświetlaczu pojawi się napis „End” i co dwie minuty będzie emitowany sygnał dźwiękowy do chwili naciśnięcia przycisku lub otwarcia drzwiczek.

Programy automatycznego gotowania:

Program automatycznego gotowania	Sposób wyboru masy lub sztuk	Rozmiar/masa	Programy automatyczne
Frozen Meal (zamrożone potrawy)	Wybierz masę obracając POKRĘTŁO JOG , a następnie naciśnij przycisk START/QUICK START , aby rozpocząć gotowanie.	Od 200 do 800 g	-
Auto Defrost (automatyczne rozmrażanie)		Od 100 do 1800 g	-
Reheat Beverages (podgrzewanie napojów)	Wybierz liczbę filiżanek obracając POKRĘTŁO JOG , a następnie naciśnij przycisk START/QUICK START , aby rozpocząć gotowanie.	Od 1 do 3 filiżanek (200 ml każda)	-
Jacket Potato (ziemniaki w mundurkach)	Wybierz liczbę ziemniaków obracając POKRĘTŁO JOG , a następnie naciśnij przycisk START/QUICK START , aby rozpocząć gotowanie.	Od 1 do 3 ziemniaków (230 g każdy)	-
Popcorn (prażona kukurydza)	Wybierz masę obracając POKRĘTŁO JOG , a następnie naciśnij przycisk START/QUICK START , aby rozpocząć gotowanie.	Ze skokiem o 100 g	-
Fresh Vegetables (świeże warzywa)		Od 200 do 600 g	-
Pizza		150 g, 300 g, 450 g	-
Porridge (płatki owsiane)		Od 50 do 150 g	-
Grilled Steak (grillowane zrazy)*		Od 200 do 600 g	A-1
Grilled Chicken (grillowany kurczak)*		Od 200 do 600 g	A-2
Auto Reheat (automatyczne podgrzewanie)*		Od 200 do 800 g	A-3
Grilled Fish (grillowana ryba)*		Od 100 do 500 g	A-4

* - Dotyczy wyłącznie modeli z funkcją grilla.

- Rezultaty zastosowania funkcji automatycznego gotowania zależą od różnych czynników, takich jak kształt i rozmiary potrawy, osobiste preferencje odnośnie stopnia wysmażenia niektórych potraw oraz sposób umieszczania potraw w kuchenice. Jeśli wynik gotowania nie jest zadowalający, dostosuj czas gotowania do swoich potrzeb.

Uwaga: Przycisk AUTOMATYCZNE GOTOWANIE jest używany wyłącznie w modelach YC-QG204A. Każde naciśnięcie przycisku AUTOMATYCZNE GOTOWANIE powoduje pojawienie się na wyświetlaczu programu automatycznego gotowania, jak w powyższej tabeli. Po wyszukaniużądanego programu automatycznego gotowania obróć **POKRĘTŁO JOG**, aby wybrać masę potrawy, którą chcesz przygotować.

AUTOMATYCZNE ROZMRAŻANIE

Program automatycznego rozmrażania umożliwia rozmrażanie żywności według masy. Czas rozmrażania i poziom mocy są ustawiane automatycznie po zaprogramowaniu kategorii i masy potrawy. Zakres wagowy zamrożonych potraw: od 100 do 1800 g.

1. W trybie czuwania naciśnij przycisk **AUTO DEFROST**.
2. Obróć **POKRĘTŁO JOG**, aby wybrać masę produktu, który chcesz rozmrozić.
3. Naciśnij przycisk **START/QUICK START**, aby rozpocząć rozmrażanie.
4. Jeśli kuchenka wstrzyma pracę podczas cyklu rozmrażania, obróć produkt na drugą stronę, aby zapewnić równomierne rozmrożenie. Następnie naciśnij przycisk **START/QUICK START**, aby kontynuować rozmrażanie przez pozostały czas.
5. Po zakończeniu cyklu gotowania na wyświetlaczu pojawi się napis „End” i co dwie minuty będzie emitowany sygnał dźwiękowy do chwili naciśnięcia przycisku lub otwarcia drzwiczek.

AUTOMATYCZNE PODGRZEWANIE*

Program automatycznego podgrzewania umożliwia podgrzewanie żywności według masy. Czas podgrzewania i poziom mocy są ustawiane automatycznie po zaprogramowaniu kategorii i masy potrawy. Zakres wagowy podgrzewanych potraw: od 200 do 800 g.

1. W trybie czuwania naciśnij przycisk **AUTO REHEAT**.
2. Obróć **POKRĘTŁO JOG**, aby wybrać masę potrawy, którą chcesz podgrzać.
3. Naciśnij przycisk **START/QUICK START**.
4. Po zakończeniu cyklu gotowania na wyświetlaczu pojawi się napis „End” i co dwie minuty będzie emitowany sygnał dźwiękowy do chwili naciśnięcia przycisku lub otwarcia drzwiczek.

* - Dotyczy wyłącznie modeli z funkcją grilla.

TIMER KUCHENNY

Kuchenka jest wyposażona w timer kuchenny, który odlicza czas trwania procesu.

1. W trybie czuwania naciśnij jeden raz przycisk **TIME/SET CLOCK**.
2. Obróć **POKRĘTŁO JOG**, aby ustawić żądany czas trwania procesu. Najdłuższy czas procesu wynosi 95 minut.
3. Naciśnij przycisk **START/QUICK START**, aby zaakceptować.
4. Na wyświetlaczu rozpocznie się odliczanie czasu trwania procesu.
5. Po upływie ustawionego czasu zostanie wyemitowany sygnał dźwiękowy.

Istnieje możliwość wykorzystania timera kuchennego w trybie gotowania. Aby skorzystać z timera, podczas gotowania należy wykonać poniższe czynności. Po uruchomieniu timera kuchennego pojawi się on na wyświetlaczu na pięć sekund, a następnie wyświetlacz powróci do odliczania pozostałego czasu trwania procesu. Aby ponownie wyświetlić wskazanie timera, naciśnij jeden raz przycisk **TIME/SET CLOCK**. Timer kuchenny wyświetli się na pięć sekund, a następnie wyświetlacz powróci do odliczania pozostałego czasu trwania procesu.

- Aby anulować funkcję **timera**, naciśnij przycisk **STOP/ECO**, a na wyświetlaczu pojawi się aktualna godzina.
- Jeśli cykl gotowania zostanie rozpoczęty, można uruchomić timer kuchenny wykonując poniższe czynności.

TRYB OSZCZĘDZANIA ENERGII

Funkcja umożliwia oszczędzanie energii, gdy kuchenka nie jest używana. Aby wyłączyć funkcję, w trybie czuwania naciśnij i przytrzymaj przycisk **STOP/ECO** przez trzy sekundy – wyświetlacz wyłączy się, a kuchenka przełączy się do trybu oszczędzania energii.

Aby anulować tryb oszczędzania energii, należy nacisnąć dowolny przycisk lub otworzyć drzwiczki kuchenki.

FUNKCJA WYCISZENIA

Istnieje możliwość wyciszenia wszystkich sygnałów dźwiękowych emitowanych przez kuchenkę mikrofalową za pomocą funkcji wyciszenia. Aby ustawić funkcję wyciszenia, naciśnij jeden raz przycisk **CHILD LOCK**. Na wyświetlaczu pojawi się napis „**OFF**” na pięć sekund. W trybie wyciszenia po naciśnięciu przycisków nie będą emitowane sygnały dźwiękowe.

Aby wyłączyć funkcję wyciszenia, naciśnij raz przycisk **CHILD LOCK**, wyświetlacz pokaże „**on**” przez 5 sekund, co oznacza, że dźwięk został ponownie włączony.

Jeśli funkcja wyciszenia jest ustawiona, a kuchenka zostanie odłączona od sieci elektrycznej, funkcja wyciszenia zostanie anulowana po ponownym podłączeniu do sieci elektrycznej.

BLOKADA PRZYCISKÓW

Jest to automatyczna funkcja zapobiegająca obsłudze kuchenki przez dzieci pozostawione bez nadzoru. Jeśli w ciągu sekundy nie zostanie naciśnięty żaden przycisk w trybie czuwania, kuchenka automatycznie przełączy się do trybu blokady przycisków, a na wyświetlaczu pojawi się napis „**Loc**”. Przy włączonej blokadzie wszystkie przyciski są nieaktywne. Naciśnięcie dowolnego przycisku spowoduje pojawienie się wskaźnika blokady na pięć sekund, przypominając użytkownikowi o konieczności anulowania blokady.

Aby wyłączyć blokadę przycisków wystarczy otworzyć i zamknąć drzwiczki kuchenki. Przyciski zostaną ponownie uaktywnione, a wskaźnik blokady wyłączy się.

BLOKADA RODZICIELSKA

1. Aby ustawić BLOKADĘ RODZICIELSKĄ, naciśnij i przytrzymaj przycisk **CHILD LOCK** przez trzy sekundy. Kuchenka wyemituje długi sygnał dźwiękowy, a na wyświetlaczu pojawi się napis „**Loc**”. Urządzenie znajduje się w trybie BLOKADY RODZICIELSKIEJ. W tym trybie po naciśnięciu dowolnego przycisku lub otwarciu drzwiczek na wyświetlaczu pojawi się zegar i przez pięć sekund będzie widoczny napis „**Loc**”.
2. Aby wyłączyć BLOKADĘ RODZICIELSKĄ, naciśnij i przytrzymaj przycisk **CHILD LOCK** przez trzy sekundy, dopóki nie zostanie wyemitowany długi sygnał dźwiękowy.

CZYSZCZENIE I KONSERWACJA

1. Przystępując do czyszczenia wyłącz kuchenkę i odłącz wtyczkę przewodu zasilającego od gniazdka elektrycznego w ścianie.
2. Wnętrze kuchenki należy utrzymać w czystości. Jeśli resztki potrawy i rozlane płyny przylegają do ścianek, części górnej lub płaski spód kuchenki, należy zetrzeć je wilgotną ściereczką. W przypadku silnych zabrudzeń do czyszczenia można użyć łagodnych detergentów. Należy unikać stosowania środków czyszczących w sprayu i środków do szorowania. Mogłoby to doprowadzić do powstania plam, smug lub zmatowienia powierzchni drzwiczek.
3. Zewnętrzne powierzchnie kuchenki należy czyścić wilgotną ściereczką. Aby zapobiec uszkodzeniu elementów roboczych wewnątrz urządzenia, nie wolno dopuścić do przedostania się wody do otworów wentylacyjnych.
4. Należy regularnie przecierać drzwiczki i szybę po obu stronach, uszczelki drzwiczek i sąsiednie elementy wilgotną ściereczką, aby usunąć wszelkie zachłapania i plamy.
5. Nie należy stosować żadnych środków do szorowania.
6. Do czyszczenia urządzenia nie należy stosować odkurzaczy parowych.
7. Nie wolno dopuścić do zamoczenia panelu sterowania. Należy go czyścić miękką, wilgotną ściereczką. Podczas czyszczenia panelu sterowania należy pozostawić otwarte drzwiczki kuchenki, aby zapobiec przypadkowemu włączeniu kuchenki.
8. Jeśli para gromadzi się wewnątrz lub na zewnątrz drzwiczek kuchenki, należy przetrzeć zaparowane powierzchnie miękką ściereczką. Może się to zdarzyć, jeśli kuchenka pracuje w warunkach wysokiej wilgotności. Nie oznacza to usterki urządzenia.
9. Płaski spód kuchenki należy regularnie czyścić, aby uniknąć zanieczyszczenia i potencjalnego iskrzenia/ uszkodzenia kuchenki. Wystarczy przetrzeć dolną powierzchnię kuchenki łagodnym detergentem.
10. Usunąć zapachy z kuchenki szklanką za pomocą roztworu wody z dodatkiem soku z całej cytryny umieszczonego w szklanym naczyniu przeznaczonym do kuchenek mikrofalowych. Gotuj z użyciem mikrofal przez pięć minut. Przetrzyj dokładnie i osusz miękką ściereczką.
11. W przypadku uszkodzenia żarówki należy skontaktować się z centrum obsługi klienta w celu uzyskania porady.
12. Kuchenkę należy regularnie czyścić i usuwać z niej wszystkie pozostałości jedzenia. Dopuszczenie do nadmiernego zanieczyszczenia kuchenki może spowodować zniszczenie jej ścianek, doprowadzić do jej przedwczesnego zużycia oraz może wywołać sytuacje niebezpieczne.
13. Nie wolno usuwać opisywanego urządzenia razem ze zwykłymi odpadkami z gospodarstw domowych; należy zapoznać się z zasadami usuwania tego rodzaju urządzeń obowiązującymi w danym kraju.

PRZYDATNE NACZYNIA

1. Doskonały materiał na naczynia do kuchenki mikrofalowej jest przezroczysty dla mikrofal, umożliwiający przenikanie energii przez naczynie i podgrzewanie potraw.
2. Mikrofałe nie przenikają przez metale, dlatego nie należy stosować naczyń metalowych ani naczyń z metalowymi wykończeniami.
3. W kuchenke mikrofalowej nie należy stosować produktów z papieru z recyklingu, ponieważ mogą zawierać małe metalowe fragmenty, które mogą spowodować iskrzenie i/lub pożar.
4. Zalecane są naczynia owalne/okrągłe zamiast kwadratowych/prostokątnych, ponieważ żywność w rogach może się nadmiernie zagotowywać.
5. Można stosować wąskie paski z folii aluminiowej, aby zapobiec przegrzaniu odsłoniętych części potrawy. Ale należy zachować ostrożność, aby nie użyć ich zbyt wiele i zachować odległość 2,54 cm między paskami folii a komorą operacyjną.

Poniższa lista podaje ogólne wskazówki, które pozwalają wybrać prawidłowe naczynia.

Naczynia kuchenne	Naczynie przeznaczone do kuchenek mikrofalowych	Grill	Komentarze
Naczynia powodujące rumienienie potraw	✓ / ✗	✗	Zawsze przestrzegaj zaleceń producenta. Nie należy przekraczać podanych czasów nagrzewania. Zachowaj szczególną ostrożność, ponieważ te naczynia mogą się znacznie nagrzewać.
Porcelana i naczynia ceramiczne	✓ / ✗	✗	Porcelana, ceramika, ceramika glazurowana i porcelana kostna są zazwyczaj odpowiednie, z wyjątkiem naczyń posiadających metaliczne ozdoby.
Szklane naczynia żaroodporne	✓	✓	Należy zachować ostrożność, aby wszelkie naczynia szklane mogły być stosowane w kuchenke mikrofalowej.
Naczynia szklane nieodporne na ciepło	✗	✗	
Naczynia ceramiczne żaroodporne	✓	✓	Należy upewnić się, że materiał ceramiczny nie jest zbyt gruby ani nie zawiera zbyt wielu minerałów.
Plastikowe naczynia odpowiednie do kuchenek mikrofalowych	✓	✗	Zawsze należy sprawdzać, czy plastikowe naczynia mogą być stosowane w kuchenke mikrofalowej.
Papier kuchenny	✓ / ✗	✗	Należy stosować wyłącznie papier kuchenny przeznaczony do kuchenek mikrofalowych.
Naczynia szklane, np Pyrex®	✓ / ✗	✓	Należy zachować szczególną ostrożność przy używaniu delikatnych naczyń szklanych, ponieważ mogą się stłuc lub pęknąć w wyniku nagłego podgrzania.
Metalowe tace	✗	✓	Nie jest zalecane stosowanie metalowych naczyń, ponieważ powodują one wyładowania elektryczne, a co za tym idzie mogą doprowadzić do pożaru.
Metalowe ruszty	✗	✓	Nie jest zalecane stosowanie metalowych naczyń, ponieważ powodują one wyładowania elektryczne, a co za tym idzie mogą doprowadzić do pożaru.
Folia aluminiowa Naczynia z folii	✓ / ✗	✓	Można użyć małych kawałków folii aluminiowej do ochrony potraw przed przegrzaniem. Folia powinna znajdować się przynajmniej 2,54 cm od ścianek kuchenki, ponieważ może dojść do wyładowań. Naczynia foliowe nie są zalecane, o ile wyraźnie nie określił tego producent (np. Microfoil®). Należy przestrzegać dołączonych instrukcji.
Folia plastikowa	✓	✗	Nie należy dotykać potraw i folię należy przekłuć, żeby pozwolić na wydostanie się pary.
Plastik/polistyren, np. naczynia z barów szybkiej obsługi	✓	✗	Należy zachować ostrożność, ponieważ niektóre naczynia mogą się odkształcić, stopić lub stracić kolor przy wysokich temperaturach.
Torby do zamrażania/pieczenia	✓	✗	Torby należy przekłuć, żeby pozwolić na wydostanie się pary. Upewnij się, że torby nadają się do użycia w kuchenke mikrofalowej.
Papierowe talerze, kubki i papier kuchenny	✓	✗	Nie należy ich wiązać materiałami plastikowymi lub metalowymi, ponieważ mogą się stopić lub zapalić w wyniku wyładowań.
Naczynia słomiane i drewniane	✓	✗	Można używać tylko przy podgrzewaniu lub do wchłaniania wilgoci. Należy zachować ostrożność, ponieważ nadmierne podgrzanie może spowodować pożar.
Papier z recyklingu i gazety	✗	✗	Zawsze należy nadzorować kuchenkę podczas korzystania z takich materiałów, ponieważ nadmierne podgrzanie może spowodować pożar. Mogą zawierać skrawki metalu, które mogą powodować wyładowania i wywołać pożar.



OSTRZEŻENIE: Korzystając z plastikowych, papierowych lub innych łatwopalnych pojemników na żywność nigdy nie pozostawiaj urządzenia bez nadzoru.

UWAGA: Nie wolno pozostawiać pracującej kuchenki bez nadzoru.

PORADY DOTYCZĄCE GOTOWANIA PRZY WYKORZYSTANIU MIKROFAL

Gotowanie z wykorzystaniem mikrofal jest szybsze niż tradycyjne metody gotowania. Dlatego konieczne jest przestrzeganie pewnych technik, aby zapewnić dobre rezultaty gotowania. Wiele z poniższych technik jest podobnych do stosowanych w tradycyjnym gotowaniu.



OSTRZEŻENIE: Płynów i potraw nie wolno podgrzewać w zamkniętych słoikach/pojemnikach, ponieważ powstałe wewnątrz ciśnienie może spowodować ich eksplozję.

PORADY DOTYCZĄCE GOTOWANIA:

- Nie odchodź od kuchenki w trakcie jej wykorzystywania.
- Upewnij się, że stosowane naczynia nadają się do użycia w kuchenke mikrofalowej.
- Popcorn należy przygotowywać wyłącznie w zalecanych do tego opakowaniach (postępuj według instrukcji producenta). Nie wolno używać oleju, o ile nie zostało to wyraźnie zalecone przez producenta, i gotować dłużej niż podano w instrukcji.



OSTRZEŻENIE: Jeśli zostanie przekroczony maksymalny zalecany czas gotowania lub zostaną użyte zbyt wysokie ustawienia mocy, potrawy mogą ulec przegrzaniu, spaleniu, co skrajnych przypadkach może spowodować pożar i uszkodzenie kuchenki.

Ustaw

Umieść najgrubsze części potrawy na zewnątrz – np. udka kurczaka.

Żywność umieszczona na brzegu naczynia otrzymuje więcej energii, a co za tym idzie gotuje się szybciej.

Przykryj

Niektóre potrawy lepiej gotują się w mikrofalówce pod przykryciem.

Przykryj naczynie oddychającą folią do mikrofalówek lub odpowiednią pokrywką.

Nakłuj

Żywność posiadająca skorupkę, skórę lub błonę musi zostać przekłuta w kilku miejscach przed gotowaniem lub podgrzaniem, ponieważ powstała w przeciwnym wypadku para może spowodować jej eksplozję.

Np. ziemniaki, ryby, kurczaki, kielbaski.

UWAGA: Nie należy używać kuchenki do gotowania jajek, ponieważ mogą eksplodować nawet po zakończeniu procesu gotowania. Np. gotowane w skorupkach, smażone, gotowane na twardo.

Zamieszaj, obróć i przestaw

Żeby zapewnić równomierne gotowanie, należy mieszać, obracać i przestawiać żywność w trakcie procesu gotowania. Zawsze należy mieszać i przekładać żywność od zewnątrz do środka.

Odstaw

Po zakończeniu gotowania konieczne jest odstawienie potrawy, co pozwoli na równomierne rozprowadzenie ciepła wewnątrz.

Charakterystyka potrawy	
Skład	Potrawy o dużej zawartości tłuszczu lub cukru (tj. budyń, kruche babeczki) wymagają krótszego czasu podgrzewania. Należy zachować ostrożność, ponieważ przegrzanie może spowodować pożar Kości w mięsie przewodzą ciepło, powodując szybsze gotowanie się potraw. Należy zadbać o równomierne gotowanie potraw.
Gęstość	Gęstość potraw wpływa na wymagany czas gotowania. Lekkie, porowate potrawy, takie jak ciastka i chleb, gotują się szybciej niż ciężkie, gęste potrawy, takie jak pieczenie i mięsa duszone.
Waga	Gęstość promieniowania mikrofalowego pozostaje taka sama, niezależnie od ilości gotowanej żywności. Czas procesu należy zwiększyć odpowiednio do zwiększonej ilości potrawy umieszczonej w kuchenie. Np. cztery ziemniaki będą gotowały się dłużej niż dwa.
Rozmiar	Małe ilości jedzenia gotują się szybciej niż większe, ponieważ mikrofałe mogą wtedy wnikać ze wszystkich stron do samego środka. Żeby gotowanie zachodziło równomiernie, wszystkie kawałki powinny być tej samej wielkości.
Kształt	Żywność o nieregularnych kształtach, taka jak piersi lub udka z kurczaka, gotują się dłużej w grubszych częściach. Żeby zapewnić równomierne gotowanie, umieść grubsze części od zewnętrznej strony naczynia, gdzie dostarczona zostanie im większa energia. Potrawy o okrągłych kształtach są równomiernie gotowane niż potrawy o kanciastych formach.
Temperatura potrawy	Początkowa temperatura żywności wpływa na wymagany czas gotowania. Schłodzone potrawy będą gotowały się dłużej od jedzenia o temperaturze pokojowej. Temperatura pojemnika nie jest właściwym wskaźnikiem temperatury żywności lub napojów. Przetnij potrawy z nadzieniem, np. pączki z dżemem, żeby uwolnić ciepło lub parę.



OSTRZEŻENIE: **Twarz i ręce:** Zawsze korzystaj z rękawic kuchennych podczas wyjmowania potraw i naczyń z kuchenki. Podczas otwierania drzwiczek odsuń się pozwalając na rozproszenie się ciepła i pary. Podczas zdejmowania przykrycia (takiego jak folia plastikowa), otwierania toreb do pieczenia lub opakowań od popcornu, należy skierować parę z daleka od twarzy i rąk.



OSTRZEŻENIE: Sprawdź temperaturę potraw i napojów mieszając je przed podaniem. Zachowaj szczególną ostrożność podczas podawania dzieciom lub osobom starszym. W celu uniknięcia poparzeń należy zawsze sprawdzać temperaturę pokarmów dla niemowląt i mieszać zawartość butelek i naczyń przed podaniem.

PORADY DOTYCZĄCE ROZMRAŻANIA

Wykorzystanie kuchenki mikrofalowej to najszybsza metoda rozmrażania. Jest to prosty proces, ale należy przestrzegać poniższych wskazówek w celu całkowitego rozmrożenia.

- Usuń wszelkie opakowania przed rozmrażaniem.
- Przy rozmrażaniu żywności należy korzystać z poziomu mocy mikrofal P-20 lub P-40.
- Należy zapoznać się z poniższymi informacjami.

Przestaw

Żywność ustawiona na brzegach naczynia rozmraża się szybciej od żywności umieszczonej w środku. Z tego względu istotne jest przestawianie produktów do 4 razy podczas rozmrażania.

Przenieś gęsto ustawione produkty z zewnętrznej części do środka i przestaw żywność w stykających się obszarach. Zapewni to równomierne rozmrożenie żywności.

Rozdziel

Produkty mogą być sklejone po wyjęciu z zamrażarki. Ważne jest, żeby rozdzielić je tak szybko jak to możliwe podczas procesu rozmrażania.

Np. plasterki bekonu, filety z kurczaka.

Ośłoń

Niektóre fragmenty rozmrażanych potraw mogą się nagrzewać. Żeby temu zapobiec i ochronić je przed zagotowaniem, można je okryć małymi kawałkami folii, która odbija promieniowanie mikrofalowe. Np. nóżki i skrzydełka kurczaka.

Odstaw

Wymagane jest odstawienie jedzenia w celu całkowitego rozmrożenia.

Proces rozmrażania nie jest zakończony od razu po wyjęciu potrawy z kuchenki. Potrawę należy przykryć, odstawić i odczekać pewien czas do całkowitego rozmrożenia.

Obróć

Kluczową czynnością jest czterokrotne obracanie potrawy podczas rozmrażania.

Pozwoli to zapewnić całkowite rozmrożenie.

PORADY DOTYCZĄCE PODGRZEWANIA

Przy podgrzewaniu potraw przestrzegaj poniższych zaleceń, żeby zapewnić gruntowne podgrzanie przed podaniem.

Dania na talerzu

Zdejmij drób i mięso - podgrzej je osobno. Patrz poniżej.

Umieść mniejsze kawałki potrawy na środku naczynia, a większe i grubsze na brzegu. Przykryj oddychającą folią plastikową do mikrofalówek i podgrzej przy poziomie mocy P-50. W połowie czasu podgrzewania zamieszaj/przestaw produkty.

UWAGA: Upewnij się, że potrawa jest dokładnie podgrzana przed podaniem.

Mięso w plastrach

Przykryj oddychającą folią plastikową do mikrofalówek i podgrzej przy poziomie mocy P-60. Przynajmniej raz przestaw produkty, aby zapewnić równomierne podgrzanie.

UWAGA: Upewnij się, że mięso jest dokładnie podgrzane przed podaniem.

Kawałki drobiu

Umieść najgrubsze kawałki na brzegu naczynia, przykryj oddychającą folią do mikrofalówek i podgrzej przy poziomie mocy P-70.

Po upływie połowy czasu rozmrażania przewrót na drugą stronę.

UWAGA: Upewnij się, że drób jest dokładnie podgrzany przed podaniem.

Mięso duszone

Przykryj oddychającą folią do mikrofalówek lub odpowiednią pokrywką i podgrzej przy poziomie mocy P-50. Mieszaj często, żeby zapewnić równe podgrzanie.

UWAGA: Upewnij się, że potrawa jest dokładnie podgrzana przed podaniem.

Aby osiągnąć najlepsze rezultaty podczas podgrzewania, należy wybrać poziom mocy odpowiedni dla danego rodzaju potrawy. Np. miskę warzyw można podgrzać przy poziomie mocy P-100, natomiast lasagne zawierającą składniki, których nie można zamieszać, należy podgrzewać przy poziomie mocy P-40.

UWAGI:

- Wyjmij jedzenie z folii lub metalowych opakowań przed podgrzewaniem.
- Na czas podgrzewania ma wpływ kształt, rozmiar, masa i temperatura żywności, a także wymiary, kształt i materiał naczynia.



OSTRZEŻENIE: Nigdy nie należy ogrzewać płynów w pojemnikach o wąskich szyjkach, ponieważ gorący płyn może z nich gwałtownie wytrysnąć, powodując oparzenia.

- Żeby uniknąć przegrzania lub pożaru, należy zachować szczególną ostrożność podczas gotowania i podgrzewania potraw zawierających duże ilości cukru lub tłuszczu, np. kruchych ciast lub budyniu.
- Nigdy nie podgrzewaj oleju lub tłuszczu do głębokiego smażenia, ponieważ może to doprowadzić do przegrzania i pożaru.
- Nie wolno podgrzewać puszkowanych ziemniaków w kuchence mikrofalowej. Postępuj według zaleceń producenta umieszczonych na puszcze.



OSTRZEŻENIE: W celu uniknięcia poparzeń należy zawsze sprawdzać temperaturę pokarmów dla niemowląt i mieszać zawartość butelek i naczyń przed podaniem.

ROZWIĄZYWANIE PROBLEMÓW

Jeśli kuchenka pracuje nieprawidłowo, możesz w prosty sposób sprawdzić jej działanie zanim wezwiesz serwis. Pozwoli to uniknąć zbędnego kontaktowania się z personelem serwisu w przypadku niewielkiego problemu.

Przeprowadź następujące proste czynności kontrolne:

Umieść w kuchenke filiżankę z wodą na płaskim spodzie i dokładnie zamknij drzwiczki. Ustaw timer na gotowanie przez minutę wykorzystując poziom mocy mikrofal P-100.

1. Czy lampka oświetleniowa świeci podczas gotowania?
2. Czy wentylator pracuje? (Sprawdź przykładając dłoń do otworów wentylacyjnych.)
3. Czy po upływie minuty rozlega się sygnał dźwiękowy?
4. Czy woda w filiżance jest gorąca? Jeśli odpowiedź na którekolwiek z powyższych pytań brzmi „NIE”, sprawdź, czy zasilanie kuchenki jest prawidłowo podłączone lub bezpiecznik nie przerwał zasilania na skutek zwarcia elektrycznego. Jeśli nie występuje żadna z powyższych przyczyn, zapoznaj się z tabelą rozwiązywania problemów.



OSTRZEŻENIE: Nigdy nie próbuj samodzielnie regulować, naprawiać ani modyfikować urządzenia. Wszelkie naprawy i czynności serwisowe są niebezpieczne i powinny być przeprowadzone wyłącznie przez wykwalifikowanych pracowników serwisu firmy SHARP. Jest to bardzo ważne, ponieważ naprawa lub serwisowanie może wymagać demontażu osłon, które chronią przed promieniowaniem mikrofal.

- Uszczelki drzwiczek chronią przed przenikaniem promieniowania mikrofal na zewnątrz pracującej kuchenki, ale nie tworzą hermetycznego uszczelnienia. Pojawienie się kropeł wody, światła lub ciepłego powietrza wokół drzwiczek kuchenki jest zjawiskiem zupełnie normalnym. Podgrzewanie potraw o wysokiej zawartości wilgoci uwalnia parę wodną i powoduje jej skraplanie na wewnętrznej powierzchni drzwiczek. Krople wody mogą kapać z urządzenia.
 - Naprawy i modyfikacje urządzenia: Nie wolno używać kuchenki, jeśli nie działa prawidłowo.
 - Dostęp do obudowy i lampki oświetleniowej: Nie wolno zdejmować obudowy urządzenia. Jest to bardzo niebezpieczne, ponieważ wewnętrzne elementy kuchenki znajdują się pod wysokim napięciem. Dotknięcie ich grozi śmiercią.
- Opisywana kuchenka nie została wyposażona w osłonę umożliwiającą dostęp do lampki oświetleniowej. W przypadku przepalenia lampki użytkownik nie powinien próbować wymienić jej samodzielnie, lecz skontaktować się z autoryzowanym serwisem firmy SHARP.

TABELA ROZWIĄZYWANIA PROBLEMÓW

PYTANIE	ODPOWIEDŹ
Wokół drzwiczek odczuwalne jest wyciekanie powietrza na zewnątrz.	Podczas pracy kuchenki powietrze przepływa w komorze operacyjnej. Drzwiczki nie zapewniają hermetycznego uszczelnienia. Dlatego powietrze może wydostawać się na zewnątrz poprzez drzwiczki.
Para wodna skrapla się w kuchence, więc krople wody mogą kapać na zewnątrz poprzez drzwiczki.	Zazwyczaj komora operacyjna jest chłodniejsza od potrawy przeznaczonej do gotowania. Dlatego wytworzona para wodna skrapla się na chłodniejszej powierzchni. Ilość wytworzonej pary wodnej zależy od zawartości wody w potrawie przeznaczonej do gotowania. Niektóre produkty spożywcze, np. ziemniaki, odznaczają się wysoką zawartością wilgoci. Skroplona para wodna, pozostająca wewnątrz szklanej części drzwiczek, powinna zniknąć po kilku godzinach.
Migotanie lub iskrzenie wewnątrz komory operacyjnej podczas gotowania.	Iskrzenie pojawia się podczas gotowania, jeśli metalowy przedmiot znajdzie się w pobliżu ścianki komory operacyjnej. Może to doprowadzić do zadrapania powierzchni komory operacyjnej, ale nie powinno powodować innych uszkodzeń kuchenki.
Iskrzące ziemniaki.	Dokładnie usuń wszystkie „oczka” z ziemniaków, a następnie nakłuj ziemniaki. Ułóż bezpośrednio na płaskim spodzie, albo w naczyniu żaroodpornym lub podobnym.
Kuchenka nie działa po naciśnięciu przycisku START/ QUICK START.	Sprawdź, czy drzwiczki zostały prawidłowo zamknięte.
Kuchenka gotuje zbyt wolno.	Upewnij się, że został wybrany prawidłowy poziom mocy mikrofal.
Kuchenka głośno pracuje.	Podczas gotowania/rozmarzania promieniowanie mikrofal jest włączane i wyłączane naprzemiennie. Kuchenka co minutę emituje sygnał dźwiękowy, a na wyświetlaczu pojawi się komunikat „Fail”. Błąd występuje, jeśli przyciski na panelu sterowania są naciskane w sposób ciągły przez ponad jedną minutę.
Zewnętrzna obudowa jest bardzo gorąca.	Obudowa może być gorąca i nie wolno jej dotykać – dzieci nie powinny zbliżać się do kuchenki.

ZANIM WEZWIESZ POMOC

Przed wezwaniem pracownika serwisu należy sprawdzić następujące punkty:

- Sprawdź, czy kuchenka jest prawidłowo podłączona. Jeśli nie, odłącz wtyczkę od gniazdka elektrycznego, odczekaj dziesięć sekund i starannie podłącz ją ponownie.
- Sprawdź, czy bezpiecznik/wyłącznik automatyczny nie przerwał zasilania na skutek zwarcia elektrycznego. Jeśli wydaje się, że działa prawidłowo, sprawdź gniazdko elektryczne podłączając inne sprawnie działające urządzenie.
- Sprawdź, czy pokrętła POZIOM MOCY MIKROFAL i TIMER są ustawione prawidłowo.
- Sprawdź, czy drzwiczki zostały prawidłowo zamknięte, włączając system blokady drzwiczek. W przeciwnym razie promieniowanie mikrofal nie zostanie włączone.

JEŚLI ŻADNE Z POWYŻSZYCH ROZWIĄZAŃ NIE ELIMINUJE PROBLEMU, NALEŻY SKONTAKTOWAĆ SIĘ Z PERSONELEM AUTORYZOWANEGO SERWISU. NIE PRÓBUJ SAMODZIELNIE REGULOWAĆ ANI NAPRAWIAĆ KUCHENKI.



Let op:

uw product is gemarkeerd met dit symbool. Dit betekent dat afgedankte elektrische en elektronische apparatuur niet samen met het normale huisafval mogen worden weggegooid. Er bestaat een afzonderlijk inzamelingsstelsel voor deze producten.



www.sharpconsumer.com/contact/



www.sharpconsumer.com/support/



www.sharpconsumer.com/documents-of-conformity/

A. Informatie over afvalverwijdering voor gebruikers (particuliere huishoudens)

1. In de Europese Unie

Let op: Deze apparatuur niet samen met het normale huisafval weggoien! Afgedankte elektrische en elektronische apparatuur moet gescheiden worden ingezameld conform de wetgeving inzake de verantwoorde verwerking, terugwinning en recycling van afgedankte elektrische en elektronische apparatuur.

Na de invoering van de wet door de lidstaten mogen particuliere huishoudens in de lidstaten van de Europese Unie hun afgedankte elektrische en elektronische apparatuur kosteloos* naar hiertoe aangewezen inzamelingsinrichtingen brengen*.

In sommige landen* kunt u bij de aanschaf van een nieuw apparaat het oude product kosteloos bij uw lokale distributeur inleveren.

*) Neem contact op met de plaatselijke autoriteiten voor verdere informatie. Indien uw gebruikte elektrische of elektronische apparatuur batterijen of accu's bevat, dan dienen deze hieraan vooraf afzonderlijk, conform de plaatselijke voorschriften, te worden weggegooid. Door dit product op een verantwoorde manier weg te gooien, zorgt u ervoor dat het afval de juiste verwerking, terugwinning en recycling ondergaat en potentiële negatieve effecten op het milieu en de menselijke gezondheid worden voorkomen, die anders door het verkeerd verwerken van het afval zouden kunnen ontstaan.

2. In andere landen buiten de Europese Unie

Als u dit product wilt weggoien, neem dan contact op met de plaatselijke autoriteiten voor informatie omtrent de juiste verwijderingsprocedure.

Voor Zwitserland: U kunt afgedankte elektrische en elektronische apparatuur kosteloos bij de distributeur inleveren, zelfs als u geen nieuw product koopt.

Aanvullende inzamelingsinrichtingen zijn vermeld op de startpagina van www.swico.ch of www.sens.ch.

B. Informatie over afvalverwijdering voor bedrijven

1. In de Europese Unie

Als u het product voor zakelijke doeleinden heeft gebruikt en als u dit wilt weggoien:

Neem contact op met uw SHARP distributeur die u inlichtingen verschafte over de terugname van het product. Het kan zijn dat u een afvalverwijderingsbijdrage voor de terugname en recycling moet betalen. Kleine producten (en kleine hoeveelheden) kunnen door de lokale inzamelingsinrichtingen worden verwerkt.

Voor Spanje: Neem contact op met de inzamelingsinrichting of de lokale autoriteiten voor de terugname van uw afgedankte producten.

2. In andere landen buiten de Europese Unie

Als u dit product wilt weggoien, neem dan contact op met de plaatselijke autoriteiten voor informatie omtrent de juiste verwijderingsprocedure.

Voor service, zie www.sharpconsumer.com/contact/, voor uw garantierechten gaat u naar www.sharpconsumer.com/support/ of neemt u contact op met de winkel waar u uw product hebt gekocht. De conformiteitsverklaringen zijn te vinden op www.sharpconsumer.com/documents-of-conformity/

VOORZORGSMAATREGELEN OM MOGELIJKE BLOOTSTELLING AAN MICROGOLFENERGIE TE VERMIJDEN

1. Probeer niet om deze oven te gebruiken met de deur open: dit kan leiden tot een schadelijke blootstelling aan microgolven. Het is belangrijk om de veiligheidssluitingen intact te houden en hier niet mee te knoeien.
2. Plaats niets tussen de voorkant van de oven en de deur en voorkom dat vuil of resten van schoonmaakmiddelen zich ophopen op de afdichtingen.
3. Gebruik de oven niet indien deze is beschadigd. Het is bijzonder belangrijk dat de ovendeur goed sluit en dat de deur zelf en de scharnieren, veiligheidsvergrendelingen of afdichtingen van de deur en afdichtingsvlakken niet beschadigd zijn.
4. Tracht de oven niet te repareren of af te stellen.

INHOUDSOPGAVE

BELANGRIJKE VEILIGHEIDSMATREGELEN	3
INSTALLATIE	12
RADIOSTORING	13
AARDINGSINSTRUCTIES	13
SPECIFICATIES	13
OVEN EN TOEBEHOREN	14
BEDIENINGSPANEEL	15
VOOR HET GEBRUIK VAN DE OVEN	16
DE KLOK INSTELLEN	16
VOEDSEL BEREIDEN MET DE MAGNETRON	17
SNELSTART	18
GRILLBEREIDING*	18
MAGNETRON + GRILL*	18
AUTO-MENU	19
AUTOMATISCH ONTDOOIEEN	20
AUTO REHEAT*	20
KOOKWEKKER	20
ENERGIESPAARSTAND	20
MUTE-FUNCTIE	21
VEILIGHEIDSVERGRENDELINGSSYSTEEM	21
KINDERSLOT	21
REINIGING EN ZORG	22
GESCHIKTE SCHALEN	23
TIPS VOOR KOKEN MET DE MAGNETRON	24
TIPS VOOR ONTDOOIING	26
TIPS VOOR OPWARMEN	27
PROBLEEMOPLOSSING	28
VOORDAT U HULP INROEPT	29

* - Alleen modellen met grill.

BELANGRIJKE VEILIGHEIDSMATREGELEN

ZORGVULDIG LEZEN EN BEWAREN VOOR GEBRUIK IN DE TOEKOMST.

Om brand te voorkomen, laat u de combi-magnetron tijdens gebruik niet onbeheerd achter. Te hoge vermogensniveaus of te lange bereidingstijden kunnen het voedsel mogelijk oververhitten met brand als gevolg.

Deze oven werd uitsluitend ontworpen om op een aanrecht te gebruiken. Hij is niet geschikt om in een muur of een kast te worden ingebouwd. Plaats de oven niet in een kast.

Steek de stekker van het netsnoer in een gemakkelijk toegankelijk stopcontact zodat u de stekker bij nood snel uit het stopcontact kunt trekken.

Sluit de oven alleen aan op een stopcontact met 230-240 V, 50 Hz wisselstroom met een minimale 10A-zekering of een minimale 10A-circuitonderbreker. Voor dit apparaat moet een afzonderlijk stroomcircuit worden gebruikt dat alleen voor dit apparaat bestemd is.

Plaats de oven niet op plaatsen waar hitte wordt opgewekt. Bijvoorbeeld naast een conventionele oven. Plaats de oven niet in een zeer vochtige of natte ruimte. Plaats of gebruik de oven niet buitenshuis.

Als u rook opmerkt, dient u de oven uit te schakelen of de stekker uit het stopcontact te trekken en de deur gesloten te houden zodat eventuele vlammen doven.

Gebruik alleen bakjes, schalen en dergelijke die geschikt zijn voor combi-magnetrons. Zorg dat de gebruikte bakjes, schalen etc. geschikt zijn voor gebruik in combi-magnetrons.

Bij het verwarmen van eten in plastic of papieren bakjes dient u op de combi-magnetron te letten of de bakjes

geen vlam vatten.

Reinig het afdekplaatje voor de golfgeleider en de ovenruimte. Deze onderdelen dienen droog en vetvrij te zijn. Opgehoopt vet kan mogelijk oververhitten, gaan roken en vlam vatten.

Plaats geen ontvlambare materialen in de buurt van de oven of de ventilatie-openingen.

Blokkeer de ventilatie-openingen niet.

Verwijder alle metalen draadjes, verzegelingen, enz. van het voedsel en de verpakking. Vonken van metalen voorwerpen kunnen mogelijk brand veroorzaken.

Gebruik de combi-magnetron niet voor bakken met olie of het verwarmen van frituurvet. De temperatuur kan namelijk niet worden geregeld en de olie kan mogelijk vlam vatten.

Gebruik alleen popcorn die in een voor magnetrons geschikt materiaal is verpakt.

Bewaar geen voedsel of andere voorwerpen in de oven.

Controleer de instellingen van de oven na het starten ervan om ervoor de zorgen dat de oven naar wens werkt.

Laat de oven niet onbewaakt achter terwijl deze in werking is.

Om oververhitting en brand te voorkomen dient u goed op te letten wanneer u voedsel met een hoog suiker- of vetgehalte, zoals bijvoorbeeld worstenbroodjes, gebak of kerstpudding verhit of opwarmt. Volg de bijbehorende aanwijzingen in de gebruikershandleiding.

Voorkomen van letsel. WAARSCHUWING

Gebruik de oven niet indien deze is beschadigd of niet normaal functioneert. Controleer voor gebruik het volgende:

- a)** Controleer of de deur goed sluit en niet krom of anders beschadigd is.

- b) Controleer of de scharnieren en deurvergrendelingen niet gebroken zijn of loszitten.
- c) Controleer of de deurafdichtingen en afdichtingsvlakken niet zijn beschadigd.
- d) Controleer of er geen deuken in de ovenruimte of in de deur zitten.
- e) Controleer of het netsnoer en de stekker niet beschadigd zijn.

Als de deur of de afdichtingen beschadigd zijn, mag de oven niet gebruikt worden totdat hij door een vakman is gerepareerd.

Nooit zelf aanpassingen, veranderingen of reparaties aan de oven uitvoeren. Niemand, behalve een gekwalificeerde technicus, dient onderhouds- of reparatiewerkzaamheden uit te voeren waarbij een afdekking die bescherming biedt tegen blootstelling aan microgolven, wordt verwijderd. Dit kan gevaarlijk zijn.

Gebruik de oven niet wanneer de deur openstaat en bewerk de vergrendelingen van de deur niet. Gebruik de oven niet wanneer er zich een voorwerp tussen de deurafdichtingen en pasvlakken bevindt.

Laat vet of vuil zich niet opbouwen op de deurafdichtingen of aangrenzende delen. Reinig de oven regelmatig en verwijder voedselresten.

Volg de instructies voor "Onderhoud en reiniging". Indien de oven niet naar behoren schoon wordt gehouden, kan dit leiden tot aantasting van het oppervlak. Dit kan dan weer leiden tot een verkorte levensduur van het apparaat en mogelijk tot gevaarlijke situaties.

Personen met een PACEMAKER dienen een dokter of de fabrikant van de pacemaker te raadplegen aangaande speciale voorzorgsmaatregelen bij gebruik van combi-magnetrons.

Het voorkomen van de mogelijkheid van een elektrische schok.

- De behuizing mag nooit worden geopend of verwijderd.
- Zorg dat er geen vloeistoffen of andere voorwerpen in de openingen van de deurvergrendelingen of ventilatie-openingen komen. Indien er iets in deze openingen terecht is gekomen schakel de oven dan onmiddellijk uit, trek de stekker uit het stopcontact en raadpleeg erkend SHARP onderhoudspersoneel.
- Dompel het netsnoer en de stekker niet in water of andere vloeistoffen.
- Laat het netsnoer niet over de rand van een tafel of werkblad hangen.
- Houd het netsnoer uit de buurt van warme oppervlakken, inclusief de achterkant van de oven.
- Houd het apparaat en het netsnoer buiten bereik van kinderen jonger dan 8 jaar.
- Vervang de ovenlamp niet zelf en laat dit niet door ondeskundige, niet door SHARP erkende elektriciens uitvoeren. Raadpleeg uw dealer of erkend SHARP onderhoudspersoneel indien de ovenlamp niet meer functioneert.
- Als het netsnoer beschadigd is, dan dient dit door een erkend SHARP onderhoudspersoneel vervangen te worden.

WAARSCHUWING: vloeistoffen en andere etenswaren mogen niet in gesloten bakjes en verpakkingen worden opgewarmd, aangezien ze kunnen ontploffen. Bij het verhitten van dranken in de magnetron kunnen deze soms later nog overkoken. Houd hiermee rekening wanneer u de verpakking vastpakt. Om de mogelijkheid van een explosie en overkoken te voorkomen:

Gebruik nooit gesloten bakjes. Verwijder de sluiting en deksels voor gebruik. Gesloten bakjes en dergelijke kunnen zelfs nadat de oven is uitgeschakeld nog ontploffen door de opgebouwde

druk. Let op bij het bereiden van vloeistoffen met de magnetron. Gebruik altijd flessen of verpakkingen met een wijde hals zodat bellen kunnen ontsnappen.

Verhit nooit vloeistoffen in flessen met een dunne hals, zoals baby-zuigflessen, daar de vloeistof plotseling uit de fles zou kunnen spuiten en brandwonden kan veroorzaken.

Om te voorkomen dat kokende vloeistof uit de fles spat:

1. Gebruik niet te veel bereidingstijd.
2. Roer de vloeistof voor het verwarmen/ opwarmen.
3. Het wordt aanbevolen om tijdens het opwarmen een glazen staaf of soortgelijk voorwerp (geen metaal) in de vloeistof te steken.
4. Laat de vloeistof na het koken ten minste 20 seconden in de oven staan om te voorkomen dat de vloeistof later uit de fles spuit.

Verhit nooit hele eieren in hun schaal in de combi-magnetron. Ook hardgekookte eieren moeten niet in combi-magnetrons worden opgewarmd, aangezien ze kunnen ontploffen, zelfs nadat de combi-magnetron is uitgezet. Voor het opwarmen van eieren die niet zijn geklopt, dient u het eigeel en eiwit door te prikken. Pel en snijd hard gekookte eieren in plakjes alvorens deze in de combi-magnetron te verwarmen.

Prik ter voorkomen van het ontploffen van voedsel de schil of het vel van aardappelen, worstjes, fruit en dergelijke door voor het verwarmen.

WAARSCHUWING: De inhoud van babyflesjes en potjes babyvoedsel moet geroerd of geschud worden en de temperatuur moet gecontroleerd worden voor gebruik om brandwonden te voorkomen. Voorkom brandwonden

en gebruik ovenwanten of pannenlappen wanneer u het voedsel uit de oven haalt. Om de mogelijkheid van brandwonden te voorkomen:

- Voorkom brandwonden door hete stoom en overkoken en houd open bakjes, popcornschalen, kookzakken en dergelijk uit de buurt van uw gezicht en handen. Om brandwonden te voorkomen dient u altijd de temperatuur van het voedsel te testen en door te roeren voordat u het serveert. Besteed hierbij speciale aandacht aan de temperatuur van voedsel en dranken voor baby's, kinderen of ouderen. Bereikbare delen kunnen tijdens het gebruik heet worden. Houd jonge kinderen op afstand.
- De temperatuur van de verpakking komt niet overeen met de temperatuur van het voedsel of de vloeistof. Controleer altijd de temperatuur van het voedsel of de vloeistof.
- Blijf altijd op veilige afstand van de oven deur staan wanneer u deze opent, om brandwonden door ontsnappende stoom of hitte te voorkomen.
- Snijd gevulde gebakken etenswaren na het koken om de stoom te laten ontsnappen en brandwonden te voorkomen.
- Houd kinderen uit de buurt van de oven zodat zij zich niet aan een hete oven kunnen branden.

WAARSCHUWING: Laat kinderen vanaf de leeftijd van 8 jaar de oven alleen zonder toezicht gebruiken wanneer zij adequate instructies hebben ontvangen zodat het kind de oven op een veilige manier kan gebruiken en de gevaren van incorrect gebruik begrijpt.

Wanneer het apparaat bediend wordt op de functies GRILL, MIX GRILL, CONVECTIE, MIX CONVECTIE en AUTO MENU, mogen kinderen de combi-magnetron alleen onder toezicht van volwassenen gebruiken vanwege de opgewekte temperaturen.

Dit apparaat is niet bedoeld voor gebruik door personen (inclusief kinderen) met verminderde fysieke, zintuiglijke of verstandelijke vermogens, of gebrek aan ervaring of kennis, tenzij zij onder toezicht of instructies hebben ontvangen over het gebruik van het apparaat door de verantwoordelijke van hun veiligheid.

Houd toezicht op kinderen zodat zij niet met het apparaat kunnen spelen. Kinderen mogen het apparaat onder toezicht reinigen.

Modellen met het elektronische aanraakpaneel beschikken over een kinderslotmodus.

Let op dat kinderen niet aan de deur of oven gaan hangen. De oven is geen speelgoed.

Zorg dat kinderen ook van de veiligheidsmaatregelen op de hoogte zijn: het gebruik van pannelappen, het voorzichtig verwijderen van de afdekking van voedsel; benadruk dat verpakking van bepaalde gerechten (bijvoorbeeld voor het knapperig maken van voedsel) zeer heet kan worden.

Overige waarschuwingen

Breng op geen enkele manier veranderingen aan de oven aan. Verplaats de oven niet terwijl deze in werking is.

Dit apparaat is bedoeld voor huishoudelijk gebruik. Deze oven dient alleen voor het bereiden van voedsel thuis en dient derhalve alleen voor het bereiden van voedsel en dranken te worden gebruikt. Het drogen van voedsel of kleding en het opwarmen van warme kompressen, pantoffels, sponzen, vochtige doeken en dergelijke kan een risico op letsel, ontbranding of brand opleveren. Gebruik de oven niet voor commerciële doeleinden of in een laboratorium.

Voorkomen van problemen of beschadiging.

Gebruik de oven nooit wanneer deze leeg is. Ter voorkoming

van beschadiging van de bodem van de oven door oververhitting dient u bij gebruik van bruineringsschalen of zelfverwarmende materialen altijd een hittebestendig isolatiemateriaal zoals een porseleinen bord onder de schaal of het materiaal te plaatsen. Overschrijd nooit de in de handleiding van het vaatwerk voorgeschreven opwarmtijd.

Gebruik geen metalen voorwerpen. Microgolven reflecteren hier namelijk op waardoor vonken kunnen ontstaan. Plaats geen blikjes in de oven.

Voorkom als volgt dat het draaiplateau of de ovenbodem breekt:

- a) Laat het draaiplateau of de ovenbodem afkoelen alvorens het draaiplateau of de ovenbodem met water te reinigen.
- b) Plaats heet of koud voedsel of hete schalen en dergelijke niet op een koud draaiplateau/koude ovenbodem.
- c) Plaats tijdens gebruik geen voorwerpen op de behuizing van de oven.

OPMERKING:

Gebruik geen plastic verpakkingen bij het opwarmen met de magnetronfunctie indien de oven nog steeds heet is van het gebruik van de combinatiemodus (afhankelijk van het ovenmodel) omdat deze dan kunnen smelten.

Plastic bakjes en verpakkingen kunnen niet met de hierboven genoemde functie worden gebruikt tenzij het bakje of verpakking door de fabrikant als geschikt zijn gemerkt.

Raadpleeg een erkend elektricien indien u twijfels heeft over het aansluiten van uw oven.

Noch de fabrikant noch de dealer zijn aansprakelijk voor schade aan de oven of letsel indien de oven niet op de voorgeschreven, juiste manier is aangesloten.

Condens of vocht kunnen zich mogelijk op de ovenwanden of

rond de deurafdichtingen en pasvlakken vormen. Dit is normaal en duidt niet op een defect of het lekken van microgolven.

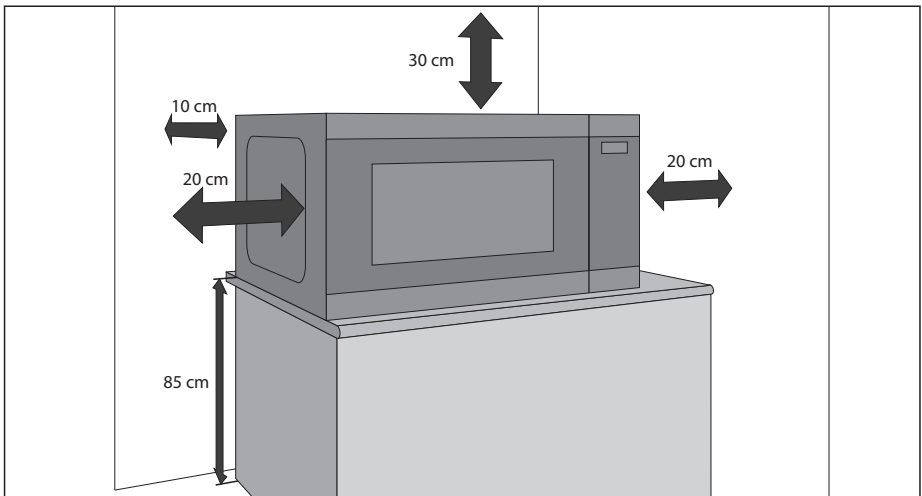
Dit apparaat is bedoeld voor huishoudelijk gebruik en soortgelijke toepassingen. Bijvoorbeeld: kantines gereserveerd voor personeel in winkels, kantoren en andere professionele omgevingen/boerderijen/gebruik door klanten van hotels, motels en andere residentiële omgevingen/bed and breakfasts.



Dit symbool betekent dat oppervlakten door gebruik heet kunnen worden.

INSTALLATIE

1. Verwijder al het verpakkingsmateriaal uit de binnenkant van de oven en verwijder de beschermingslaag van de behuizing van de magnetron.
2. Controleer de oven zorgvuldig op tekenen van beschadiging.
3. Plaats de oven op een veilig, vlak oppervlak, dat sterk genoeg is om het gewicht van de combi-magnetron plus de zwaarst mogelijk te koken artikelen te dragen. Plaats de oven niet in een kast.
4. Kies een vlak oppervlak met genoeg ruimte voor de ventilatieopeningen. Zie de afbeelding op de eerste pagina. De achterkant van het apparaat kan tegen een muur worden geplaatst.
 - De minimale installatiehoogte bedraagt 85 cm.
 - Er dient minimaal 20 cm ruimte over te worden gelaten tussen de zijkanten van de oven en eventuele wanden of voorwerpen.
 - Laat een minimale ruimte van 30 cm boven de oven open.
 - Verwijder de voetjes van de onderkant van de oven niet.
 - Blokkering van de ventilatieopeningen kan de oven beschadigen.
 - Plaats de oven zo ver mogelijk verwijderd van radio's en tv's. Gebruik van de magnetron kan de ontvangst van uw radio of tv verstoren.



5. Steek de stekker van de oven in een standaard geaard stopcontact.

WAARSCHUWING:

Plaats de oven niet op een plek waar hitte of vochtigheid ontstaat (bijvoorbeeld naast of boven een gewone oven) of naast brandbare materialen (bijvoorbeeld gordijnen).

Blokkeer of belemmer de ventilatieopeningen niet.

Plaats geen objecten op de oven.

Raak de buitenkant van de magnetron niet aan terwijl hij in werking is of kort daarna, aangezien die dan warm is.

RADIOSTORING

Het gebruik van de magnetron kan storing op uw radio, televisie of soortgelijke apparatuur veroorzaken. Eventuele storing kan worden verminderd of vermeden door de volgende maatregelen te treffen:

1. Maak de deur en de ovenruimte schoon waar deze elkaar raken.
2. Pas de richting van de ontvangstantenne van uw radio of televisie aan.
3. Zet de magnetron op een andere plaats ten opzichte van de ontvanger.
4. Steek de stekker van de magnetron in een ander stopcontact zodat deze op een ander stroomcircuit aangesloten is dan de ontvanger.

AARDINGSINSTRUCTIES

Dit apparaat moet geaard zijn. Deze oven is voorzien van een snoer met een aardingsdraad en een geaarde stekker. Dit snoer moet aangesloten worden op een stopcontact dat correct is geïnstalleerd en geaard. In geval van kortsluiting vermindert de aarding het risico op een elektrische schok doordat de elektrische stroom via een ontsnapingsdraad wordt afgevoerd. We raden aan om een apart circuit te voorzien dat alleen de oven van stroom voorziet.

⚠ WAARSCHUWING: onjuist gebruik van de aardingsstekker kan leiden tot het risico op een elektrische schok.

OPMERKING:

1. Als u vragen hebt over de aarding of de elektrische instructies, raadpleeg dan een gekwalificeerde elektricien of onderhoudsmonteur.
2. Noch de fabrikant noch de dealer zijn aansprakelijk voor schade aan de oven of letsel indien de oven niet op de voorgeschreven manier is aangesloten.

Het netsnoer van uw combi-magnetron heeft de volgende kleurgecodeerde draden:

Groen en geel = AARDE

Blauw = NEUTRAAL

Bruin = SPANNINGVOEREND

SPECIFICATIES

Modelnaam:	YC-QS204A	YC-QS254A	YC-QG204A	YC-QG234A	YC-QG254A	
AC-netspanning	230–240 V, 50 Hz, enkele fase					
Zekering/circuitonderbreker	10 A					
Vermogen:	Magnetron	800 W	900 W	800 W	900 W	900 W
	Grill			1000 W	1000 W	1000 W
	Energiespaarstand	>0,5 W	>0,5 W	>0,5 W	>0,5 W	>0,5 W
	Vereist vermogen wisselstroom	1200 W	1400 W	1200 W	1400 W	1400 W
Frequentie van de magnetron	2450 MHz*					
Buitenste afmetingen (B) x (H) x (D) mm	457 x 272 x 379	490 x 288 x 395	457 x 272 x 391	490 x 288 x 393	490 x 288 x 411	
Afmetingen binnenkant (B) x (H) x (D)** mm	315 x 180 x 328	340 x 197 x 338	315 x 180 x 328	340 x 197 x 338	340 x 197 x 340	
Ovencapaciteit	20 liter**	25 liter**	20 liter**	23 liter**	25 liter**	
Afmetingen bodem (B) x (H) x (D) mm	262 x 262					
Afmetingen grillrooster (B) x (D) mm			294 x 236	315 x 308	315 x 308	
Gewicht	ca. 11,7 kg	ca. 13,3 kg	ca. 12,4 kg	ca. 14,4 kg	ca. 14,6 kg	
Ovenlamp (LED)	1,5 W					

* - Dit product voldoet aan de vereisten van de Europese norm EN55011.

In overeenstemming met deze norm is dit product geclassificeerd als apparatuur in groep 2 klasse B.

Groep 2 betekent dat er opzettelijk radiofrequentie-energie wordt gegenereerd onder de vorm van elektromagnetische straling om voedingswaren op te warmen en te bereiden.

Klasse B betekent dat dit product geschikt is voor normaal huishoudelijk gebruik.

** - De inhoud wordt berekend door het meten van de maximale breedte, hoogte en diepte van het apparaat. De eigenlijke inhoud voor voedsel is minder.

ALS ONDERDEEL VAN ONS BELEID VAN CONTINUE VERBETERINGEN, BEHOUDEN WIJ HET RECHT OM HET ONTWERP EN DE SPECIFICATIES ZONDER VOORAFGAANDE KENNISGEVING TE WIJZIGEN.

OVEN EN TOEBEHOREN

1. Veiligheidsvergrendelingssysteem voor de deur
2. Ovenvenster
3. Draaiknop en bedieningsknoppen
4. Ovenruimte
5. Bodem, hou deze schoon en vrij van voedselresten
6. Grillrooster voor YC-QG234A en YC-QG254A
7. Grillrooster voor YC-QG204A
8. Ventilatie-openingen
9. Behuizing
10. Netsnoer

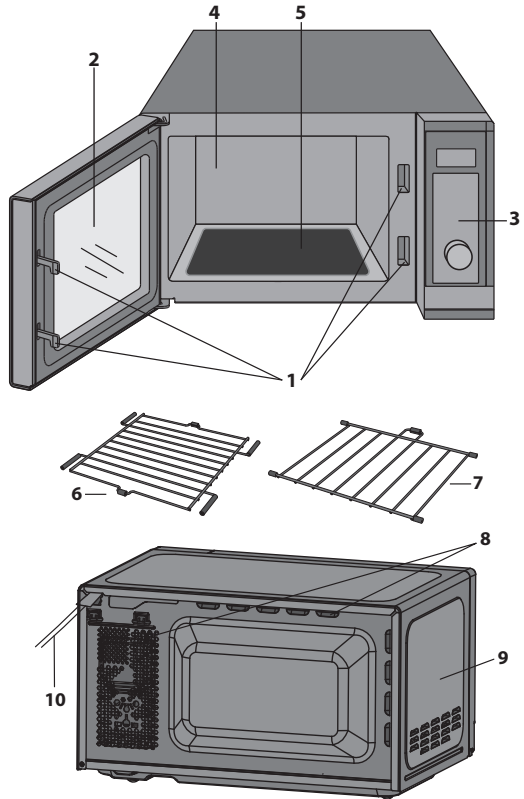
Controleer of de volgende accessoires zijn geleverd:

Alleen grillovens:

- **Grillrooster** – alleen te gebruiken voor het bereiden van etenswaren met de grillfunctie.
- Het grillrooster is alleen bedoeld voor gebruik met grillovens. Gebruik het rek NIET als u alleen de magnetronfunctie gebruikt.
- Voor gebruik van het grillrooster raadpleegt u de secties over GRILLEN van deze handleiding.
- Verwijder de moffen NIET van de uiteinden van het grillrooster.

Raak de grill nooit aan wanneer deze heet is.

OPMERKING: vermeld bij het nabestellen van accessoires twee items: de onderdeelnaam en de modelnaam.



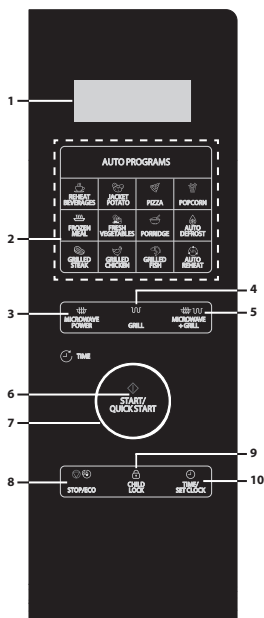
OPMERKINGEN:

- Maak na het bereiden van vet voedsel zonder deksel altijd de binnenkant van de oven grondig schoon, deze moeten droog en vetvrij zijn. Opgebouwd vet kan gaan roken of vlam vatten.
- Plaats het keukengerei altijd op het bodemvlak van de oven als u de magnetron gebruikt.
- Gebruik het grillrooster NOOIT met de magnetronfunctie alleen.

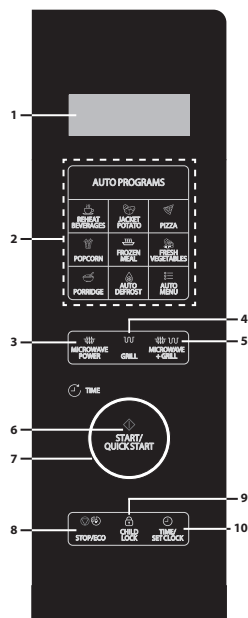
⚠ WAARSCHUWING: ⚠ Dit symbool betekent dat de oppervlakten mogelijk heet worden tijdens het gebruik. De deur, behuizing, ovenruimte, accessoires en vaatwerk zullen erg heet worden tijdens het gebruik. Gebruik altijd dikke ovenwanten om brandwonden te voorkomen.

BEDIENINGSPANEEL

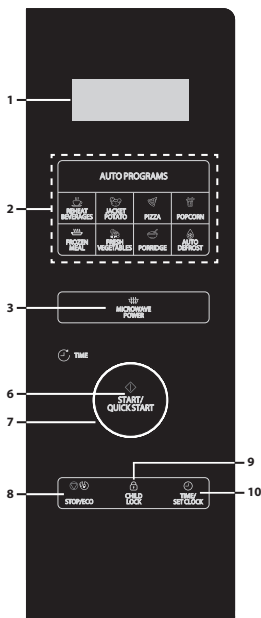
- DIGITALE DISPLAY:** Weergave van bereidingstijd, vermogen, indicaties en kloktijd.
- AUTO MENU-knoppen** - Druk hierop om het Auto Cooking-menu te selecteren. (Zie pagina 19 voor advies over het gebruik).
- MICROWAVE POWER** – Druk hierop om het magnetronvermogen te selecteren. (pagina 17).
- GRILL** – Druk hierop om het bereidingsprogramma voor grillen in te stellen. (Pagina 18).
- MICROWAVE+GRILL** – Druk hierop om het bereidingsprogramma voor de combinatie van magnetron en grill in te stellen. (pagina 18).
- START/QUICK START** – (pagina 18).
- JOG DIAL** – Draai deze knop rechtsom om diverse functies in te stellen.
- STOP/ECO** – Druk eenmaal hierop om de bereiding tijdelijk te onderbreken of tweemaal om de bereiding volledig te annuleren. Stel hiermee de energiespaarstand in. (pagina 20).
- CHILD LOCK** – (pagina 21).
- TIME/SET CLOCK** – Stel hiermee de kloktijd in. Stel hiermee de kookwekkerfunctie in. (pagina 16).



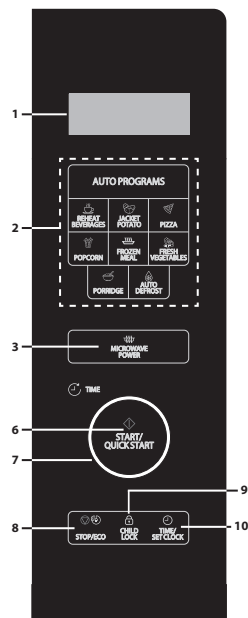
YC-QG234A, YC-QG254A



YC-QG204A



YC-QS254A



YC-QS204A

VOOR HET GEBRUIK VAN DE OVEN

Als u de stekker van de oven voor het eerst in het stopcontact steekt, dan klinkt er een pieptoon. Op het display verschijnt "**1:00**". Let op: u hoeft de klok niet in te stellen om de oven correct te laten werken. Om de klok in te stellen, volgt u de instructies in de sectie "**De klok instellen**" van deze handleiding.

Als de grill nieuw is, dan zullen er bij het eerste gebruik rook en geuren vrijkomen. Om te voorkomen dat dit gebeurt wanneer u etenswaren gebruikt, gebruikt u de grillfunctie de eerste keer gedurende ca. 20 minuten zonder etenswaren.

- Na het openen en sluiten van de deur, schakelt de oven in de stand-bymodus. Als u binnen 1 minuut geen knoppen indrukt, dan blijft het display aan en werken de knoppen niet. Om weer in de stand-bymodus te komen, opent en sluit u de deur.
- Als u tijdens de bereiding een keer op de knop **STOP/ECO** drukt, dan wordt de bereidingscyclus gepauzeerd. Om de bereiding te hervatten drukt u op de knop **START/QUICK START**. Als u de knop **STOP/ECO** tweemaal indrukt, dan wordt de bereiding geannuleerd.
- Als u de oven voor een bepaalde functie programmeert en er tussen het indrukken van de knoppen een pauze van meer dan 30 seconden zit, dan schakelt de oven terug naar de stand-bymodus.
- Als een bereidingscyclus is voltooid, dan verschijnt op het display "**End**" en is er om de twee minuten een pieptoon te horen, totdat u op een knop drukt of de deur opent.

DE KLOK INSTELLEN

Deze oven heeft een klok die zowel in 12- als 24-uurs modus kan worden gebruikt. Volg de onderstaande instructies om de klok in te stellen:

1. Houd in de stand-bymodus de knop **TIME/SET CLOCK** minimaal 3 seconden ingedrukt om de klokinstelmodus te openen.
 2. Druk op de knop **TIME/SET CLOCK** om de 12- of 24-uurs modus te selecteren.
 3. Draai aan de draaiknop **JOG DIAL** om het uur in te stellen. Druk op de knop **TIME/SET CLOCK** om op te slaan.
 4. Draai aan de draaiknop **JOG DIAL** om de minuten in te stellen. Druk op de knop **TIME/SET CLOCK** om de klokinstelling op te slaan en te verlaten.
- U hoeft de klok niet in te stellen voor een normale werking van de oven.
 - Druk in de kookmodus op de knop **TIME/SET CLOCK** om de tijd te zien (indien ingesteld). Na 5 seconden verdwijnt de tijd en kom het aftellen van de bereidingstijd weer op het scherm te staan. Let op: u kunt de tijd niet bekijken als de kookwekker is ingesteld.

VOEDSEL BEREIDEN MET DE MAGNETRON

Om de magnetronfunctie te gebruiken, volgt u de onderstaande instructies:

1. Druk in de stand-bymodus op de knop **MICROWAVE POWER** om het vermogensniveau te kiezen. Telkens als u deze toets indrukt, geeft het display het vermogensniveau van de magnetron aan.
2. Zodra u het gewenste magnetronvermogen hebt gekozen, draait u aan de draaiknop **JOG DIAL** om de bereidingstijd te kiezen.
3. Druk op de knop **START/QUICK START** om de bereiding te starten.
4. Als de bereidingscyclus is voltooid, dan verschijnt op het display "**End**" en is er om de twee minuten een pieptoon te horen, totdat u op een knop drukt of de deur opent.

Let op: de onderstaande tabel is slechts een leidraad. Uw oven heeft 10 magnetronvermogensniveaus. Dit zijn 10%, 20%, 30%, 40%, 50% 60%, 70%, 80% en 100%. U kunt het daadwerkelijke wattage berekenen door het magnetronvermogen te vermenigvuldigen met het percentage.

TIPS VOOR BEREIDING MET DE MAGNETRON:

Display	Magnetronvermogen	Voorgesteld gebruik
P100	100 %	Gebruik deze instelling voor het snel bereiden of opwarmen van stoofschotels, warme dranken, groenten etc.
P-80	80 %	Voor compact voedsel dat een lange bereidingstijd nodig heeft wanneer het conventioneel bereid wordt, bijv. rundvleeschotels; deze vermogensinstelling wordt gekozen om er zeker van te zijn dat het vlees mals blijft.
P-60	60 %	Gebruik deze instelling voor het langer garen van voedsel met een hoge dichtheid, zoals braadstukken, gehaktbrood en kant-en-klaarmaaltijden, maar ook voor gevoelige gerechten zoals kaassaus en biscuitgebak.
P-40	40 %	Instelling voor ontdooien; kies dit vermogensniveau om ervoor te zorgen dat het gerecht gelijkmatig ontdooit. Deze instelling is ook ideaal voor het sudderen van rijst, pasta, dumplings en vla.
P-20	20 %	Voor voorzichtige ontdooiing voor bijv. taart of gebak.

- Tijdens de bereiding kunt u het vermogen controleren door op de knop **MICROWAVE POWER** te drukken.
- De langste bereidingstijd is 95 minuten.

SNELSTART

Als u iets op 100% vermogen wilt bereiden, dan drukt u in de stand-bymodus op de knop **START/QUICK START** op de draaiknop **JOG DIAL**. Telkens als u de knop **START/QUICK START** indrukt, dan wordt de bereidingstijd met 30 seconden verlengd.

GRILLBEREIDING*

Het verwarmingselement van de grill bovenin de ovenruimte heeft slechts één vermogensstand. Deze is efficiënt en zuinig. De grill is ideaal voor het bereiden van bacon, hamlappen, vissticks en theecakes. Gebruik het grillrooster voor het grillen van kleine gerechten zoals spek en worstjes. Draai de etenswaren halverwege omdraaien. U kunt de etenswaren direct op het rooster plaatsen of de etenswaren in een schaal of op een hittebestendige plaat leggen. Zorg dat er geen vet of olie van het te grillen voedsel druipt door een geschikte schaal onder het grillrooster te plaatsen. Voor het bruinen en krokant maken van de buitenkant van etenswaren, zoals u in een braadpan doet, kunt u het grillrooster gebruiken als de bak waarin de etenswaren zitten ondiep genoeg is. Het is echter raadzaam om dergelijke bakjes direct op het bodemvlak te plaatsen, zodat deze wat extra tijd krijgen om bruin en krokant te worden.

Om de grillfunctie te gebruiken, volgt u de onderstaande instructies:

1. Druk in de stand-bymodus op de knop **GRILL** om de grillfunctie te selecteren. Op het display verschijnt "**Grill**".
2. Draai aan de draaiknop **JOG DIAL** om de bereidingstijd te kiezen.
3. Druk op de knop **START/QUICK START** om de bereiding te starten.
4. Als de bereidingscyclus is voltooid, dan verschijnt op het display "**End**" en is er om de 2 minuten een pieptoon te horen, totdat u op een knop drukt of de deur opent.

* - Alleen modellen met grill.

MAGNETRON + GRILL*

Door zowel de magnetron- als de grillfunctie te gebruiken, is het mogelijk de etenswaren snel bruin en gaar te krijgen. Om de magnetron- en grillfunctie te gebruiken, volgt u de onderstaande instructies:

1. In de stand-bymodus drukt u één of twee keer op **MICROWAVE + GRILL** om "Co-1" of "Co-2" te selecteren.
2. Draai aan de draaiknop **JOG DIAL** om de bereidingstijd te kiezen.
3. Druk op de knop **START/QUICK START** om de bereiding te starten.
4. Als de bereidingscyclus is voltooid, dan verschijnt op het display "**End**" en is er om de twee minuten een pieptoon te horen, totdat u op een knop drukt of de deur opent.

Magnetron- + grillfunctie

Display	Vermogensinstelling	Voorgesteld gebruik
Co-1	70% grill / 30% magnetron.	Stukjes kip, kipfilet, varkenskoteletten
Co-2	56% grill / 44% magnetron.	Hele kip

- De maximale bereidingstijd met de grill is 95 minuten.
- Laat tijdens het grillen rook of geuren ontsnappen door in de keuken een raam open te zetten of de keukenventilatie aan te zetten. Dit is normaal en duidt niet op een defect aan de oven.
- Tijdens de bereiding kunt u het huidige gecombineerde vermogen controleren door op de knop **MICROWAVE + GRILL** te drukken.
- Als u de grillfunctie gebruikt, dan schakelt de grill met regelmatige tussenpozen in en uit om oververhitting te voorkomen.
- Als u de functie **MICROWAVE+GRILL** gebruikt, dan kunt u de etenswaren in een geschikte bak of schaal rechtstreeks op het bodemvlak van de oven of op het daarvoor bestemde grillrooster plaatsen.

WAARSCHUWING: De deur, behuizing, ovenruimte en accessoires worden erg heet tijdens gebruik. Gebruik altijd dikke ovenwanten om brandwonden te voorkomen.

* - Alleen modellen met grill.

AUTO-MENU

Met de automatische programma's kunt u etenswaren snel en efficiënt bereiden met slechts enkele drukken op de knop. U hoeft niet de de tijdsduur en het vermogen te programmeren. U hoeft alleen maar op de gewenste knop voor automatische bereiding te drukken, het gewicht/aantal stukken in te voeren door aan de draaiknop **JOG DIAL** te draaien en vervolgens op de knop **START/QUICK START** te drukken.

Bijvoorbeeld: de bereiding van twee gepofte aardappels.

1. Open de deur en plaats de etenswaren in de oven met ovensgerei dat geschikt is voor de gebruikte bereidingscyclus.
2. Sluit de deur.
3. Druk één keer op de knop **JACKET POTATO**.
4. Draai aan de draaiknop **JOG DIAL** om het aantal aardappels in te voeren.
5. Druk op de knop **START/QUICK START**.
6. Als de bereidingscyclus is voltooid, dan verschijnt op het display "**End**" en is er om de twee minuten een pieptoon te horen, totdat u op een knop drukt of de deur opent.

Automatische-bereidingsmenu's:

Auto Menu	Methode om het gewicht of aantal te selecteren	Maat/gewicht	Automatische programma's
Diepvriesmaaltijd	Selecteer het gewicht door aan de draaiknop JOG DIAL te draaien. Druk vervolgens op de knop START/QUICK START toets om de bereiding te beginnen.	200 tot 800 g	-
Automatisch Ontdooien	Selecteer het gewicht door aan de draaiknop JOG DIAL te draaien. Druk vervolgens op de knop START/QUICK START toets om de bereiding te beginnen.	100 tot 1800 g	-
Reheat Beverages	Selecteer het aantal kopjes door aan de draaiknop JOG DIAL te draaien. Druk vervolgens op de knop START/QUICK START om de bereiding te beginnen.	1 tot 3 kopjes (200 ml elk)	-
Gepofte aardappel	Kies het aantal aardappelen door aan de draaiknop JOG DIAL te draaien. Druk vervolgens op de knop START/QUICK START om de bereiding te beginnen.	1 tot 3 aardappelen (230 g per stuk)	-
Popcorn	Selecteer het gewicht door aan de draaiknop JOG DIAL te draaien. Druk vervolgens op de knop START/QUICK START toets om de bereiding te beginnen.	Stappen van 100 g	-
Verse groente		200 tot 600 g	-
Pizza		150 g /300 g/ 450 g	-
Pap		50 tot 150 g	-
Gegrilde steak*		200 tot 600 g	A-1
Gegrilde kip*		200 tot 600 g	A-2
Automatisch opwarmen*		200 tot 800 g	A-3
Gegrilde vis*		100 tot 500 g	A-4

* - Alleen modellen met grill.

- Het resultaat van de automatisch bereiding hangt af van factoren zoals de vorm en grootte van het voedsel, uw persoonlijke voorkeur voor de gaarheid van bepaalde etenswaren en zelfs hoe u het voedsel in de oven plaatst. Als het resultaat niet helemaal naar wens is, pas dan de bereidingstijd aan.

Opmerking: De Auto Menu-knop wordt alleen gebruikt op de modellen YC-QG204A. Telkens als u de Auto Menu-knop indrukt, toont het display het automatische programma zoals in de tabel hierboven. Als u het gewenste Auto Menu hebt gevonden, draai dan aan de draaiknop **JOG DIAL** om het gewicht van het te bereiden voedsel te kiezen.

AUTOMATISCH ONTDOOIEN

Met Auto Defrost kunt u etenswaren aan de hand van het gewicht ontdooien. De ontdooitijd en het vermogen worden automatisch ingesteld zodra u de levensmiddelen categorie en het gewicht hebt geprogrammeerd. Het gewicht van de ingevroren etenswaren varieert van 100 g tot 1800 g.

1. Druk in de stand-bymodus op de knop **AUTO DEFROST**.
2. Draai aan de draaiknop **JOG DIAL** om het gewicht van de te ontdooien etenswaren te kiezen.
3. Druk op de **START/QUICK START**-toets om de ontdooicyclus te beginnen.
4. Als de oven tijdens de ontdooicyclus stopt, draai de etenswaren dan om voor een gelijkmatige ontdooiing. Druk vervolgens op de knop **START/QUICK START** om gedurende de resterende tijd te ontdooien.
5. Als de ontdooicyclus is voltooid, dan verschijnt op het display "**End**" en is er om de twee minuten een pieptoon te horen, totdat u op een knop drukt of de deur opent.

AUTO REHEAT*

Met Auto Reheat kunt u etenswaren aan de hand van het ingestelde gewicht ontdooien. De opwarmtijd en het vermogen worden automatisch ingesteld zodra u de levensmiddelen categorie en het gewicht hebt geprogrammeerd. Het opwarmgewicht varieert van 200 g tot 800 g.

1. Druk in de stand-bymodus op de knop **AUTO REHEAT**.
2. Draai aan de draaiknop **JOG DIAL** om het gewicht van de op te warmen etenswaren te kiezen.
3. Druk op de knop **START/QUICK START**.
4. Als de bereidingscyclus is voltooid, dan verschijnt op het display "**End**" en is er om de twee minuten een pieptoon te horen, totdat u op een knop drukt of de deur opent.

* - Alleen modellen met grill.

KOOKWEKKER

De oven is uitgerust met een kookwekker die vanaf de ingestelde tijd aftelt.

1. Druk in de stand-bymodus één keer op de knop **TIME/SET CLOCK**.
2. Draai aan de draaiknop **JOG DIAL** om de gewenste tijd in te stellen. De maximale tijd is 95 minuten.
3. Druk ter bevestiging op de knop **START/QUICK START**.
4. De display telt de ingestelde tijd af.
5. Als de tijd op het display nul bereikt, dan klinkt er een pieptoon.

Het is ook mogelijk om de kookwekker te gebruiken terwijl het apparaat in de bereidingsmodus staat. Volg hiervoor de bovenstaande stappen terwijl uw etenswaren bereid worden. Zodra de kookwekker geactiveerd is, verschijnt deze gedurende vijf seconden op het display. Daarna keert het display terug naar de afteltimer voor de bereidingscyclus. Om de timer nog eens te bekijken, drukt u op de knop **TIME/SET CLOCK**. De kookwekker verschijnt dan gedurende vijf seconden op het display. Vervolgens verschijnt de afteltimer voor de bereidingscyclus weer.

- Om het **TIMER**-programma te annuleren, drukt u op de knop **STOP/ECO**. Op het display verschijnt de tijd.
- Als u een bereidingscyclus hebt gestart, dan is het mogelijk om de kookwekker te starten aan de hand van de bovenstaande de stappen.

ENERGIESPAARSTAND

Met deze functie kunt u stroom besparen als de oven niet in gebruik is. Om deze functie te activeren in de stand-bymodus, houdt u de knop **STOP/ECO** gedurende 3 seconden ingedrukt. Het display gaat uit en de oven schakelt over naar de energiespaarstand.

Om de energiespaarstand te annuleren, drukt u op een willekeurige knop of opent en sluit u de oven deur.

MUTE-FUNCTIE

Het is mogelijk de tonen van de magnetron uit te schakelen met de mute-functie. Om de mute-functie in te stellen, drukt u op knop **CHILD LOCK**. Op het display verschijnt dan gedurende 5 seconden de melding "**oFF**". In de gedempte modus klinken er geen geluid als u op de knoppen drukt.

Om de mute-functie uit te schakelen, drukt u eenmaal op de **CHILD LOCK**-knop, het display zal 5 seconden "**on**" weergeven om aan te geven dat het geluid weer is ingeschakeld.

Als u de mute-functie hebt ingesteld en de oven loskoppelt van de netvoeding, dan wordt de mute-functie geannuleerd als u de oven weer aansluit op de netvoeding.

VEILIGHEIDSVERGRENDELINGSSYSTEEM

Dit is een automatische functie die u kunt gebruiken om ongebeleid gebruik door kleine kinderen te voorkomen. Als er in de stand-bymodus gedurende één minuut niets bediend wordt, dan schakelt de oven automatisch over naar de veiligheidsvergrendelingsmodus. Op het display verschijnt dan de melding "**Loc**". In de vergrendelde modus zijn alle knoppen uitgeschakeld. Als u op een willekeurige knop drukt, dan verschijnt de vergrendelingsindicatie gedurende 5 seconden op het display om u eraan te herinneren om de veiligheidsvergrendeling te annuleren.

Om de veiligheidsvergrendeling uit te schakelen, opent en sluit u gewoon de deur van de magnetron. Het toetsenblok wordt opnieuw geactiveerd en het indicatielampje voor de vergrendeling dooft.

KINDERSLOT

1. Om het KINDERSLOT in te stellen, houdt u de knop **CHILD LOCK** gedurende 3 seconden ingedrukt. U hoort dan een lange pieptoon en op het display verschijnt de melding "**Loc**". De oven staat nu in de KINDERSLOT-modus. In deze modus toont het display de klok. Als u een knop indrukt of de deur opent, dan verschijnt de melding "**Loc**" gedurende 5 seconden op het display.
2. Om het KINDERSLOT te annuleren, houdt u de knop **CHILD LOCK** gedurende 3 seconden ingedrukt totdat u een lange pieptoon hoort.

REINIGING EN ZORG

1. Schakel de oven uit en trek de stekker uit het stopcontact wanneer u hem gaat reinigen.
2. Houd de binnenkant van de oven schoon. Wanneer opgespat voedsel of gemorste vloeistoffen aan de zijwanden, de bovenkant of het bodemvlak van de ovenruimte blijven plakken, veegt u die af met een vochtige doek. Als de oven erg vuil wordt, kunnen milde schoonmaakmiddelen worden gebruikt. Gebruik geen spray of andere agressieve reinigingsmiddelen. Die kunnen vlekken, strepen of een doffe aanslag achterlaten op het oppervlak van de deur.
3. De buitenkant van de oven dient te worden gereinigd met een vochtige doek. Om schade aan de werkende delen binnen in de oven te voorkomen mag er geen water in de ventilatieopeningen binnensijpelen.
4. Veeg de deur en het venster, de deurafdichtingen of aangrenzende delen regelmatig schoon met een vochtige doek om alle spatten of gemorst voedsel te verwijderen.
5. Gebruik geen schuurmiddelen.
6. Niet met stoom reinigen.
7. Laat het bedieningspaneel niet nat worden. Veeg het schoon met een zachte, vochtige doek. Laat de deur open wanneer u het bedieningspaneel schoonmaakt om te vermijden dat u de oven per ongeluk inschakelt.
8. Als er zich stoom verzamelt aan de binnenkant of rond de buitenkant van de ovendeur, veeg die dan schoon met een vochtige doek. Dit is mogelijk wanneer de magnetron wordt gebruikt onder vochtige omstandigheden. Dit is geen defect.
9. Het bodemvlak van de oven moet regelmatig worden gereinigd om te vermijden dat hij vuil wordt of dat vonken/schade ontstaan. Veeg het bodemoppervlak van de oven gewoon schoon met een mild reinigingsmiddel.
10. Om geurtjes uit uw oven te verwijderen, doet u een kopje water en het sap en de schil van één citroen in een magnetronbestendige kom. Verhit die 5 minuten met de magnetronfunctie. Veeg de magnetron grondig schoon en droog hem af met een zachte doek.
11. Neem contact op met de klantendienst voor advies als de lamp defect raakt.
12. De oven dient regelmatig te worden gereinigd en eventuele voedselresten dienen te worden verwijderd. Indien de oven niet schoon wordt gehouden, kan dit leiden tot aantasting van het oppervlak. Dit kan dan weer leiden tot een verkorte levensduur van het apparaat en mogelijk tot gevaarlijke situaties.
13. Gooi dit apparaat niet met het gewone huisvuil. Raadpleeg het advies van uw land over de verwijdering van dit soort producten.

GESCHIKTE SCHALEN

1. Het ideale materiaal voor magnetrongerei laat microgolven door, laat de energie door het bakje gaan en verwarmt het voedsel.
2. Microgolven dringen niet door metaal, dus gebruik geen metalen keukengerei of borden met metalen randen.
3. Gebruik geen gerecyclede papierproducten voor het bereiden van etenswaren in de magnetron. Deze producten kunnen kleine metalen fragmenten bevatten die vonken en/of brand kunnen veroorzaken.
4. We raden ronde/ovale borden aan boven vierkante/langwerpige borden, omdat de etenswaren in de hoeken vaak overgaar worden.
5. U kunt smalle reepjes aluminiumfolie gebruiken om te voorkomen dat de blootgestelde delen te gaar worden. Let op: gebruik niet te veel folie en houd een afstand van 2,54 cm tussen de folie en de ovenruimte aan

De onderstaande lijst is een algemene leidraad om u te helpen het juiste keukengerei te kiezen.

Koekgerei	Magnetron Veilig	Grill	Opmerking
Bruiningschalen	✓ / ✗	✗	Volg altijd de instructies van de fabrikant op. Overschrijd de opgegeven verwarmingstijden niet. Wees zeer voorzichtig omdat deze schalen heel heet worden.
Porselein en keramiek	✓ / ✗	✗	Porselein, aardewerk en beenderporselein zijn normaal gesproken geschikt, behalve als deze metalen decoratie hebben.
Hittebestendig glas	✓	✓	Zorg dat u over glazen keukengerei beschikt dat geschikt is voor gebruik in een combi-magnetron.
Niet-hittebestendig Glas	✗	✗	
Hittebestendig keramiek	✓	✓	Zorg ervoor dat het keramisch materiaal niet te dik is of een hoog gehalte aan mineralen bevat.
Magnetronveilig plastic bord	✓	✗	Controleer altijd of het plastic keukengerei geschikt is voor gebruik in een combi-magnetron.
Keukenpapier	✓ / ✗	✗	Gebruik alleen keukenpapier dat wordt aanbevolen voor gebruik in combi-magnetrons.
Glasservies bijv. Pyrex®	✓ / ✗	✓	Ga zorgvuldig om met fijn glaswerk omdat dit kan breken of barsten bij plotselinge temperatuurverschillen.
Metalen ovenschaal	✗	✓	Metalen koekgerei wordt niet aanbevolen omdat dit gaat vonken, wat tot brand kan leiden.
Metalen rek	✗	✓	Metalen koekgerei wordt niet aanbevolen omdat dit gaat vonken, wat tot brand kan leiden.
Aluminiumfolie Aluminium verpakkingen	✓ / ✗	✓	Kleine stukken aluminiumfolie kunnen worden gebruikt om voedsel tegen oververhitting te beschermen. Houd de folie tenminste 2,54 cm van de ovenwanden, omdat het anders kan gaan vonken. Verpakkingen, bakjes en schalen van aluminium worden niet aanbevolen tenzij anders aangegeven door de fabrikant, bijv. Microfoil®; volg de instructies zorgvuldig op.
Vershoudfolie	✓	✗	Het mag het voedsel niet raken en moet doorgeprikt zijn om de stoom te laten ontsnappen.
Plastic/polystyreen bijv. fastfood-bakjes	✓	✗	Ga hier zorgvuldig mee om omdat sommige bakjes vervormen, smelten of verkleuren bij hoge temperaturen.
Diepvries/braadzakken	✓	✗	Moeten zijn doorgeprikt om de stoom te laten ontsnappen. Controleer of de zakken geschikt zijn voor gebruik in de magnetron.
Papieren borden, bekens en keukenrolpapier	✓	✗	Gebruik geen plastic of metalen bevestigingen, omdat deze kunnen smelten of vlam kunnen vatten door de vonken van het metaal.
Bakjes van riet of hout	✓	✗	Gebruik deze alleen voor opwarmen of om vocht te absorberen. Voorzichtigheid is geboden omdat door oververhitting brand kan ontstaan.
Gerecyclede papier en krantenpapier	✗	✗	Blijf altijd bij de oven wanneer deze materialen worden gebruikt omdat oververhitting brand kan veroorzaken. Kan stukjes metaal bevatten die vonken veroorzaken en kunnen leiden tot brand.



WAARSCHUWING: Bij het verwarmen van eten in plastic of papieren bakjes dient u in de gaten te houden dat de bakjes geen vlam vatten.

OPMERKING: Laat uw oven niet onbewaakt achter terwijl deze in werking is.

TIPS VOOR KOKEN MET DE MAGNETRON

Met een magnetron bereidt u etenswaren sneller dan door deze op de conventionele manier te koken. Het is daarom van essentieel belang dat bepaalde technieken worden gevolgd om goede resultaten te garanderen. Veel van de volgende technieken zijn vergelijkbaar met de technieken die in de conventionele keuken worden gebruikt.



WAARSCHUWING: Vloeistoffen en etenswaren mogen niet worden opgewarmd in gesloten bakjes of potjes/bakjes met een deksel. Binnen in het bakje/potje stijgt de druk, waardoor het bakje/potje kan exploderen.

KOOKADVIEZEN:

- Blijf altijd bij de oven als deze in gebruik is.
- Zorg ervoor dat het keukengerei geschikt is voor gebruik in een magnetronoven.
- Gebruik alleen magnetronpopcorn in de aanbevolen verpakking (volg de instructies van de fabrikant op). Gebruik nooit olie, tenzij dit is aangegeven door de fabrikant, en bereid de popcorn nooit langer dan in de instructies vermeld staat.



WAARSCHUWING: Als u de aanbevolen kooktijden overschrijdt en te hoge vermogensniveaus gebruikt, kan voedsel te warm worden of aanbranden. In extreme gevallen kan het voedsel in brand vliegen en de oven beschadigen.

Verdeling

Plaats de dikste etenswaren aan de buitenkant van de schaal, bijv. kippenboutjes.

Etenswaren die aan de buitenkant van de schaal geplaatst worden, krijgen meer energie en zijn dus sneller gaar dan de etenswaren in het midden.

Afdekken

Bepaalde etenswaren kunnen beter afgedekt worden tijdens de bereiding in de magnetron.

Gebruik vershoud- of magnetronfolie of een geschikt deksel met (een) ventilatieopening(en).

Gaatjes prikken

In etenswaren met een schaal, huid of membraan moeten voor het koken of opwarmen op meerdere plaatsen gaatjes worden geprikt, omdat de stoom zich anders ophoopt. Dit kan ertoe leiden dat de etenswaren exploderen, bijv. aardappelen, vis, kip, worstjes.

OPMERKING: Eieren mogen niet worden opgewarmd in de magnetron. Ze kunnen ontploffen, zelfs nadat de bereiding voltooid is, dus ook al zijn ze bijvoorbeeld gepocheerd, gebakken of hardgekookt.

Roeren, omdraaien en opnieuw verdelen

Voor een gelijkmatige bereiding is het essentieel om tijdens het koken de etenswaren om te roeren, deze om te draaien en om deze opnieuw te verdelen. Werk altijd vanuit de buitenkant naar het midden toe bij het roeren en opnieuw verdelen.

Wachten

Wachtijd na bereiding is belangrijk, omdat het ervoor zorgt dat de warmte gelijkmatig door het voedsel wordt verspreid.

Kenmerken van etenswaren	
Compositie	Voedingsmiddelen met een hoog vet- of suikergehalte (bijv. kerstpudding, gehaktbroodjes) hebben minder opwarmtijd nodig. Wees voorzichtig, want oververhitting kan tot brand leiden. Botten in etenswaren geleiden warmte, waardoor het voedsel sneller gaar wordt. Let erop dat het voedsel gelijkmatig wordt gekookt.
Dichtheid	De dichtheid van etenswaren is van invloed op de benodigde kooktijd. Lichte, poreuze etenswaren, zoals gebak of brood, kookt sneller dan zware, dichte etenswaren, zoals gebraad en ovenschotels.
Hoeveelheid	Het aantal microgolven in uw oven blijft gelijk, ongeacht de hoeveelheid etenswaren die gekookt wordt. De kooktijd moet worden verlengd naarmate de hoeveelheid etenswaren in de oven toeneemt. Het duurt bijvoorbeeld langer om vier aardappelen te koken dan twee.
Grootte	Kleine etenswaren en kleine stukjes koken sneller dan grote, omdat de microgolven van alle kanten tot in het midden kunnen doordringen. Zorg er voor een gelijkmatige bereiding voor dat alle stukken van dezelfde grootte zijn.
Vorm	Bij etenswaren met een onregelmatige vorm, zoals kipflet of kippenboutjes, duurt het langer voordat de dikkere delen gaar zijn. Leg de dikste delen aan de buitenkant van de schaal, waar deze meer energie krijgen. Ronde vormen koken gelijkmatiger dan vierkante vormen bij bereiding in de magnetron.
Temperatuur van etenswaren	De begintemperatuur van etenswaren beïnvloedt de benodigde kooktijd. Het koken van gekoelde etenswaren duurt langer dan etenswaren op kamertemperatuur. De temperatuur van de verpakking is geen echte indicatie van de temperatuur van de etenswaren of de drank. Snij in etenswaren met vullingen, bijvoorbeeld donuts met jam, om warmte of stoom te laten ontsnappen.



WAARSCHUWING: Gezicht & handen: draag altijd ovenhandschoenen om etenswaren of keukengerei uit de oven te pakken. Doe een stap achteruit als u de oven opent om warmte of stoom te laten ontsnappen. Bij het verwijderen van afdekkingen (zoals vershoudfolie), het openen van braadzakken of popcornverpakkingen, dient u ervoor te zorgen dat de stoom niet in de richting van het gezicht of de handen ontsnapt.



WAARSCHUWING: Controleer de temperatuur van etenswaren en drankjes en roer voor het serveren. Wees bijzonder voorzichtig bij etenswaren of drankjes voor baby's, kinderen of ouderen. De inhoud van zuigflessen en potjes met babyvoeding moet geroerd of geschud worden. Controleer de temperatuur voor consumptie om te voorkomen dat er brandwonden ontstaan.

TIPS VOOR ONTDOOIING

Het ontdooien van etenswaren met behulp van uw magnetron is de snelste methode. Het is een eenvoudig bereidingsproces, maar de volgende instructies zijn essentieel om ervoor te zorgen dat de etenswaren grondig ontdooid worden.

- Verwijder alle verpakkingen voor het ontdooien.
- Gebruik de magnetronvermogensniveaus P-20 of P-40 om etenswaren te ontdooien.
- Meer informatie vindt u hieronder.

Verdelen

Etenswaren die aan de buitenkant van de schaal geplaatst worden, zullen sneller ontdooien dan de etenswaren in het midden. Het is daarom van essentieel belang dat de etenswaren tijdens het ontdooien tot 4 keer opnieuw verdeeld worden.

Verplaats dicht opeengepakte stukken van buiten naar het midden en verdeel de stukken die elkaar overlappen opnieuw.

Dit zorgt ervoor dat alle stukken gelijkmatig ontdooien.

Scheiden

Etenswaren kunnen aan elkaar kleven als u deze uit de vriezer haalt. Het is belangrijk om de etenswaren tijdens het ontdooien zo snel mogelijk te scheiden.

bijv. spekreepjes, kipfilets.

Afschermen

Sommige stukken van ontdooid etenswaren kunnen warm worden. Om te voorkomen dat deze warmer worden en beginnen te koken, kunt u deze stukjes afschermen met kleine stukjes folie, die de microgolven reflecteren. Bijv. de poten en vleugels van kip.

Wachten

De wachttijd is nodig om ervoor te zorgen dat de etenswaren grondig ontdooien.

Het ontdooiproces is niet voltooid als de etenswaren eenmaal uit de magnetron zijn gehaald. De etenswaren moeten gedurende een bepaalde tijd afgedekt blijven staan om ervoor te zorgen dat ook de kern volledig ontdooid is.

Omdraaien

Het is cruciaal dat alle etenswaren tijdens het ontdooien minstens 3 tot 4 keer omgedraaid worden.

Dit is belangrijk voor een grondige ontdooiing.

TIPS VOOR OPWARMEN

Voor het opwarmen van etenswaren volgt u de onderstaande adviezen en richtlijnen. Zo zorgt u ervoor dat de etenswaren grondig opgewarmd worden alvorens u deze opdient.

Maaltijden op een bord

Haal eventuele porties gevogelte of vlees van het bord af. Warm deze afzonderlijk op, zie hieronder.

Plaats kleinere stukken etenswaren in het midden van het bord, grotere en dikkere etenswaren aan de rand. Bedek het bord met magnetronfolie en warm het gerecht op het vermogen P-50 op. Roer halverwege de opwarmfase en verdeel de etenswaren opnieuw.

OPMERKING: zorg ervoor dat de etenswaren grondig opgewarmd worden alvorens u deze opdient.

Gesneden vlees

Bedek dit met vershoud- of magnetronfolie en warm het vlees op het vermogen P-60 op. Verdeel de stukken vlees minstens één keer opnieuw om te zorgen voor een gelijkmatige opwarming.

OPMERKING: zorg ervoor dat het vlees grondig opgewarmd wordt alvorens u dit opdient.

Porties gevogelte

Leg de dikste stukken van de porties aan de buitenkant van het bord. Bedek het bord met vershoud- of magnetronfolie en warm het gevogelte op het vermogen P-70 op.

Draai de stukken halverwege het opwarmen om.

OPMERKING: zorg ervoor dat het gevogelte grondig opgewarmd wordt alvorens u dit opdient.

Ovenschotels

Bedek deze met vershoud- of magnetronfolie of een geschikt deksel en warm het gerecht op het vermogen P-50 op. Roer regelmatig om te zorgen voor een gelijkmatige opwarming.

OPMERKING: zorg ervoor dat de etenswaren grondig opgewarmd worden alvorens u deze opdient.

Om de beste resultaten te verkrijgen bij het opwarmen, selecteert u een magnetronvermogen dat geschikt is voor de betreffende etenswaren. Een schaal met groenten kan bijvoorbeeld worden opgewarmd op P-100, terwijl een lasagne met ingrediënten die niet kunnen worden geroerd, opgewarmd dient te worden op P-40.

OPMERKINGEN:

- Verwijder de etenswaren uit de folie of metalen bakjes alvorens u deze opwarmt.
- Opwarmtijden zijn afhankelijk van de vorm, diepte, hoeveelheid en temperatuur van de etenswaren, evenals van de grootte, vorm en het materiaal van het bakje.



WAARSCHUWING: Verhit nooit vloeistoffen in flessen met een dunne hals, omdat de vloeistof plotseling uit de fles zou kunnen spuiten en brandwonden kan veroorzaken.

- Om oververhitting en brand te voorkomen dient u goed op te letten wanneer u voedsel met een hoog suiker- of vetgehalte, zoals gehaktbroodjes of kerstpudding opwarmt.
- Verwarm nooit olie of vet dat bedoeld is om te frituren. Dit kan leiden tot oververhitting en brand.
- Aardappelen in blik mogen niet opgewarmd worden in de magnetron. Volg de instructies van de fabrikant op het blikje.



WAARSCHUWING: De inhoud van babyflesjes roeren of schudden en de temperatuur voor consumptie controleren om verbranding te voorkomen.

PROBLEEMOPLOSSING

Indien u het idee heeft dat de oven niet goed werkt zijn er een aantal eenvoudige controles die u kunt uitvoeren voordat u de hulp van een technicus inroept. Hiermee wordt voorkomen dat u onnodig een technicus laat komen voor een defect dat eenvoudig is op te lossen.

Deze eenvoudige controle wordt hieronder uiteengezet:

Zet een half kopje water op het bodemvlak en sluit de deur. Stel de timer in voor bereiding gedurende 1 minuut op het magnetronvermogensniveau 100P.

1. Gaat de ovenlamp aan tijdens het koken?
2. Werkt de ventilator? (U kunt hiervoor uw hand boven de luchtventilatoropeningen plaatsen.)
3. Hoort u na 1 minuut het belsegnaal?
4. Is het water in de kop heet geworden?

Als uw antwoord "NEE" is op iedere vraag controleer dan eerst of de oven op de juiste manier is aangesloten en of er geen zekering is gesprongen. Als dit niet het geval is kunt u de onderstaande probleemoplossingstabel raadplegen.



WAARSCHUWING: Repareer, wijzig of pas de oven nooit zelf aan. Dit is gevaarlijk en het onderhoud en reparaties dienen te worden uitgevoerd door een hiervoor opgeleide onderhoudsmonteur van SHARP. Dit is belangrijk omdat hierbij wellicht een afdekking van de magnetron dient te worden geopend die bescherming biedt tegen microgolven.

- De deurafdichting houdt lekkage van microgolven tijdens de ovenfunctie tegen, maar zorgt niet voor een luchtdichte afsluiting. Het is normaal dat er rond de ovendeur druppels water of licht te zien is of dat u hier warme lucht voelt. Voedsel dat veel vocht bevat, veroorzaakt stoom en condensatie aan de binnenkant, die aan de buitenkant te zien kan zijn.
- Reparaties en aanpassingen: voer geen reparaties of aanpassingen aan de oven uit als deze niet naar behoren functioneert.
- Behuizing en lamp: maak de behuizing nooit open. Dit is erg gevaarlijk omdat de onderdelen binnenin onder hoge spanning staan en dus nooit mogen worden aangeraakt. Dit is immers levensgevaarlijk. De oven is niet voorzien van een toegankelijk deksel op de lamp. Als de lamp kapot is, dient u deze niet zelf te vervangen maar neem hiervoor contact op met een door SHARP erkende servicedienst.

PROBLEEMOPLOSSINGSTABEL

VRAAG	ANTWOORD
Ik voel een luchtstroom bij de deur.	Wanneer de oven werkt, circuleert er lucht in de ovenruimte. De deur vormt geen luchtdichte afsluiting dus er kan lucht via de deurkieren ontsnappen.
Er wordt condensatie in de oven gevormd, die op de deur te zien kan zijn.	De ovenruimte is normaal gesproken kouder dan de etenswaren die worden bereid. De stoom die tijdens het koken wordt geproduceerd condenseert op het koudere oppervlak. De hoeveelheid stoom hangt af van de hoeveelheid water dat de etenswaren bevatten. Sommige etenswaren, zoals aardappelen, bevatten ontzettend veel vocht. Condensatie in de glazen deur zou na een paar uur verdwenen moeten zijn.
Flitsen of vonken in de ovenruimte tijdens het koken.	Vonken ontstaan als er een metaal voorwerp in de buurt komt van de ovenruimte tijdens de bereiding. Dit kan mogelijk het oppervlak van de ovenruimte aantasten, maar zal de oven niet beschadigen.
Vonken bij het bereiden van aardappels.	Controleer of alle "ogen" van de aardappelen zijn verwijderd en dat u ze heeft ingeprikt. Plaats ze direct op het bodemvlak of in een hittebestendige schaal of iets soortgelijks.
De oven werkt niet als ik op de knop START/QUICK START druk.	Controleer of de deur goed is gesloten.
Oven werkt te langzaam.	Zorg ervoor dat het juiste vermogen is geselecteerd.
Oven maakt geluid.	De magnetronenergie gaat aan en uit tijdens het koken/ontdooien. Om de minuut klinkt er een pieptoon uit de oven en op het display verschijnt de melding "Fail" Als u de knoppen op het bedieningspaneel langer dan 1 minuut ononderbroken ingedrukt houdt, dan treedt deze fout op.
Buitenkast is heet.	De kast kan handwarm worden - houd kinderen uit de buurt.

VOORDAT U HULP INROEPT

Controleer voordat u de hulp van de klantendienst inroept elk van de volgende zaken:

- Controleer of de stekker van de oven correct in het stopcontact zit. Zo niet, dan trekt u de stekker uit het stopcontact, wacht u 10 seconden en steekt u hem er opnieuw en correct in.
- Controleer of er geen zekering gesprongen is of stroomonderbreker geactiveerd is. Als deze zaken correct lijken te werken, test u het stopcontact met een ander apparaat.
- Controleer of het vermogen en de timer goed zijn ingesteld.
- Controleer of de deur goed gesloten is door het deurvergrendelingsstelsel in te schakelen. Anders stroomt de microgolvenenergie niet de oven in.

ALS GEEN VAN DE BOVENSTAANDE CONTROLES HET PROBLEEM VERHELPT, NEEM DAN CONTACT OP MET EEN GEKwalificeerde MONTEUR. PROBEER DE OVEN NIET ZELF TE REPAREREN.



Attenzione:

Il prodotto è contrassegnato con questo simbolo. Significa che prodotti elettrici ed elettronici usati non devono essere messi insieme ai rifiuti normali. C'è un sistema di raccolta separato per questi prodotti.



[www.sharpconsumer.com/
contact/](http://www.sharpconsumer.com/contact/)



[www.sharpconsumer.com/
support/](http://www.sharpconsumer.com/support/)



[www.sharpconsumer.com/
documents-of-conformity/](http://www.sharpconsumer.com/documents-of-conformity/)

A. Informazioni sullo smaltimento per gli utilizzatori (uso privato)

1. Nell'Unione Europea

Attenzione: se si vuole disfarsi di questo apparecchio, non utilizzare la normale raccolta di rifiuti!

Apparecchi elettrici ed elettronici usati devono essere smaltiti separatamente e secondo la regolamentazione che richiede un trattamento specifico, il recupero e il riciclaggio di apparecchiature elettriche ed elettroniche.

Secondo le disposizioni degli stati membri, i privati possono restituire all'interno dell'UE i propri apparecchi elettrici ed elettronici usati per raccolte specifiche e senza costi*.

In alcuni paesi* il rivenditore locale può anche ritirare il vostro vecchio prodotto gratuitamente se ne comprate uno simile nuovo.

*) Contattare le autorità locali per ulteriori dettagli.

Se l'attrezzatura elettrica o elettronica è dotata di batterie o accumulatori, smaltirla separatamente in anticipo rispettando le normative locali.

Smaltendo correttamente questo prodotto, fate in modo che i rifiuti subiscano il trattamento, il recupero e il riciclo adeguati; questo previene potenziali effetti negativi sull'ambiente e sulla salute, che potrebbero essere causati da uno smaltimento inappropriato.

2. In altri paesi al di fuori dell'UE

Se si vuole eliminare questo prodotto, contattare le autorità locali e chiedere quali siano le modalità per un corretto smaltimento.

Per la Svizzera: apparecchiature elettriche o elettroniche usate possono essere restituite senza costi al fornitore, anche se non si acquista un nuovo prodotto. Ulteriori agevolazioni per la raccolta sono elencate nella homepage di www.swico.ch o www.sens.ch.

B. Informazioni sul prodotto per utilizzatore business.

1. Nell'Unione Europea

Se questo prodotto è utilizzato per scopi professionali e si desidera eliminarlo:

Contattare il fornitore SHARP, che vi informerà riguardo alle modalità di ritiro del prodotto. Potrebbero esservi addebitati dei costi derivati dal ritiro e dallo smaltimento. Piccoli prodotti (e piccole quantità) potrebbero essere ritirati dagli enti locali di raccolta.

Per la Spagna: contattare il sistema di raccolta ufficiale o le autorità locali per il ritiro dei prodotti usati.

2. In altri paesi al di fuori dell'UE

Se si vuole eliminare questo prodotto, contattare le autorità locali e chiedere quali siano le modalità per un corretto smaltimento.

Per l'assistenza e i diritti di garanzia visita www.sharpconsumer.com/support/ o contatta il rivenditore da cui hai acquistato il prodotto.

Le Dichiarazioni di conformità sono disponibili alla pagina www.sharpconsumer.com/documents-of-conformity/

PRECAUZIONI PER EVITARE UNA POSSIBILE ESPOSIZIONE A ENERGIA A MICROONDE

1. Non tentare di utilizzare questo forno con lo sportello aperto in quanto ciò potrebbe provocare un'esposizione dannosa a energia a microonde. È importante non forzare o manomettere le chiusure di sicurezza.
2. Non inserire nulla tra la superficie anteriore del forno e lo sportello né permettere a detriti o residui di accumularsi sulle superfici di sigillatura.
3. Non utilizzare il forno se è stato danneggiato. È molto importante che lo sportello del forno si chiuda adeguatamente e che non ci siano danni allo sportello, ai cardini, ai blocchi o ai sigilli dello sportello e alle superfici di sigillatura.
4. Non tentare di riparare il forno da sé.

CONTENUTI

ISTRUZIONI IMPORTANTI SULLA SICUREZZA	3
INSTALLAZIONE.....	11
INTERFERENZE RADIO.....	12
ISTRUZIONI SULLA MESSA A TERRA.....	12
SPECIFICHE	12
FORNO E ACCESSORI.....	13
PANNELLO DI CONTROLLO	14
PRIMA DI USARE IL FORNO	15
IMPOSTARE L'OROLOGIO	15
COTTURA A MICROONDE.....	16
AVVIO RAPIDO.....	17
COTTURA GRILL.....	17
MICROONDE + GRILL*	17
MENU AUTOMATICI	18
SCONGELAMENTO AUTOMATICO.....	19
RISCALDAMENTO AUTOMATICO*.....	19
TIMER DA CUCINA.....	19
FUNZIONE RISPARMIO ENERGETICO	19
FUNZIONE MUTO.....	20
BLOCCO DI SICUREZZA.....	20
BLOCCO BAMBINI	20
PULIZIA E MANUTENZIONE	21
UTENSILI ADATTI.....	22
RACCOMANDAZIONI PER CUCINA A MICROONDE	23
CONSIGLI PER SCONGELAMENTO	25
CONSIGLI PER RISCALDAMENTO	26
RISOLUZIONE DEI PROBLEMI.....	27
PRIMA DI CHIAMARE L'ASSISTENZA	28

* - Solo modelli con grill.

IMPORTANTI ISTRUZIONI DI SICUREZZA

LEGGETE ATTENTAMENTE E CONSERVATELO PER FUTURE CONSULTAZIONI

Per evitare rischi di incendi, il forno a microonde non deve rimanere incustodito durante il funzionamento. Livelli di potenza troppo alti o tempi di cottura troppo lunghi possono surriscaldare il cibo e causare un incendio.

Questo forno è progettato per essere utilizzato solamente su un piano da lavoro. Non è progettato per essere incassato. Non inserire il forno in un armadio.

La presa della corrente deve essere facilmente accessibile in modo da poter facilmente staccare l'unità in caso di emergenza.

La tensione di alimentazione del forno deve essere di 230-240 V, 50 Hz, con un fusibile del quadro di distribuzione di un minimo di 10 A, o un salvavita di un minimo di 10 A. Dovrebbe essere fornito un circuito separato solo per questo apparecchio.

Non collocare il forno in aree dove viene generato calore. Ad esempio, vicino a un forno convenzionale. Non installare il forno in un'area ad alta umidità o dove si possa accumulare acqua. Non conservare o usare il forno all'aperto.

Qualora il forno dovesse produrre fumo, spegnerlo o scollegare la spina dalla presa di corrente, mantenendo inoltre lo sportello chiuso in modo da soffocare le eventuali fiamme.

Usare esclusivamente contenitori e utensili adatti alle microonde. Gli utensili devono essere controllati per assicurarsi che siano adatti all'uso nei forni a microonde.

In caso di riscaldamento di alimenti inseriti in contenitori di plastica o di carta, a causa della possibilità della loro combustione mantenete il forno sotto osservazione.

Dopo l'uso, pulisci sempre il coperchio guida onde, la cavità del forno, il piatto rotante: devono essere asciutti e senza tracce di grasso. Gli accumuli di grasso possono surriscaldarsi, fumare o infiammarsi.

Non mettere materiali infiammabili vicino al forno o alle aperture di ventilazione. Non ostruire le aperture di ventilazione.

Togliere dal cibo e dal suo involucro i sigilli e fili di chiusura metallici. La formazione di archi elettrici sulle superfici metalliche può causare un incendio.

Non usare il forno a microonde per friggere o riscaldare l'olio di frittura. La temperatura in tal caso non può essere controllata e può prendere fuoco.

Per fare i pop corn, usate esclusivamente quelli prodotti per i microonde.

Non conservare cibo od oggetti all'interno del forno.

Controllare le impostazioni dopo aver avviato il forno, per accertarsi che esso funzioni nel modo desiderato.

Non lasciare il forno senza supervisione mentre è in funzione.

Per evitare surriscaldamento o incendio, prestare molta attenzione alla cottura o al riscaldamento di cibi che contengono molto zucchero o sostanze grasse, quali ad esempio salsicce, pasticci di carne o dolci. Leggi i suggerimenti corrispondenti nel manuale d'uso.

Per evitare il rischio di lesioni. ATTENZIONE:

Non usare il forno se è danneggiato o non funziona normalmente. Controllare quanto segue prima di continuare ad usarlo:

- a) Assicurarsi che lo sportello si chiuda correttamente e che non sia fuori sesto o deformato.
- b) Controllare per assicurarsi che i cardini e i blocchi di sicurezza dello sportello non siano rotti o allentati.

- c) Assicurarsi che le guarnizioni e le superfici di tenuta dello sportello non siano danneggiate.
- d) Assicurarsi che l'interno del forno o lo sportello non siano ammaccati.
- e) Assicurarsi che il cavo di alimentazione e la sua spina non siano danneggiati.

Lo sportello o le relative guarnizioni si danneggiano, non usare il forno sino all'avvenuta riparazione da parte di personale competente.

Non cercare mai di adattare, riparare o modificare il forno da soli. Qualsiasi intervento di assistenza o riparazione dell'apparecchio che richieda la rimozione della copertura di protezione dall'esposizione diretta alle microonde deve essere effettuato esclusivamente da personale specializzato.

Non mettere in funzione il forno con lo sportello aperto né alterare la serratura di sicurezza del forno in alcun modo. Non azionare il forno in caso sia presente un oggetto tra le guarnizioni dello sportello e le superfici isolanti.

Non fare in modo che grasso o sporco si formino sulle guarnizioni e le parti adiacenti. Pulire regolarmente il forno e togliete i residui di cibo.

Seguire le istruzioni per "Cura e pulizia". La mancata pulizia del forno potrebbe danneggiare la superficie e quindi influire sulla durata dell'elettrodomestico e creare situazioni pericolose.

Chi porta uno PACEMAKER deve rivolgersi al medico o al fabbricante del pacemaker riguardo alle precauzioni da prendere per l'uso del forno a microonde.

Per evitare il rischio di scosse elettriche.

- La copertura esterna del forno non deve assolutamente essere smontata.

- Non inserire alcun oggetto nelle aperture di ventilazione del forno. In caso di ingresso di liquidi, spegnere immediatamente il forno, staccare il cavo di alimentazione e chiamare un tecnico di assistenza SHARP autorizzato.
- Non immergere il cavo di alimentazione o la sua spina nell'acqua o in altro liquido.
- Non lasciare pendere il cavo di alimentazione dal bordo di un tavolo o piano di lavoro.
- Tenere il cavo di alimentazione lontano da superfici riscaldate, compresa la parte posteriore del forno.
- Tenere l'elettrodomestico e il suo cavo fuori dalla portata di bambini minore di 8 anni.
- Non cercare di sostituire da soli la lampadina del forno, e non farla sostituire da chi non sia un tecnico SHARP autorizzato. Se la lampadina si fulmina, rivolgersi al rivenditore o a un concessionario SHARP autorizzato.
- Se il cavo di alimentazione è danneggiato, deve essere sostituito da un agente di servizio SHARP autorizzato.

AVVERTENZA: liquidi e altri cibi non devono essere riscaldati in contenitori sigillati poiché questi potrebbero esplodere. Riscaldare bevande a microonde può sfociare in un bollore eruttivo ritardato; pertanto, bisogna fare attenzione quando si maneggia il contenitore. Per evitare esplosioni o bolliture improvvise:

Non usare mai recipienti sigillati. Togliere i sigilli e coperchi prima dell'uso. I recipienti sigillati possono esplodere a causa dell'aumento della pressione, anche dopo lo spegnimento del forno. Fare attenzione a usare il forno a microonde con i liquidi. Usare recipienti con grandi aperture che permettano la fuoriuscita delle bolle d'aria.

Non riscaldare mai liquidi in recipienti con collo stretto, come i biberon, perché potrebbe verificarsi una fuoriuscita del contenuto dal contenitore quando vengono riscaldati,

con pericolo di bruciature.

Per evitare improvvise eruzioni di liquido bollente con possibili bruciature:

1. Predisporre un periodo di tempo non eccessivamente lungo.
2. Mescolare bene il liquido prima di cuocere o riscaldare.
3. Durante il riscaldamento si consiglia di porre nel liquido un'asticiola di vetro o uno strumento simile (purché non di metallo).
4. Lasciar riposare il liquido nel forno per almeno 20 secondi al termine del tempo di cottura per evitare l'eruzione ritardata della bollitura.

Non usare il forno a microonde per cuocere le uova con il guscio né per riscaldare le uova sode intere, perché potrebbero esplodere anche dopo la fase di riscaldamento. Per cucinare o riscaldare le uova che non sono state strapazzate, foratene il tuorlo e l'albume. Sgusciate e affettate le uova assodate prima di riscaldarle nel forno a microonde.

Forare la buccia di cibi come patate, salsicce e frutta prima di cuocere, altrimenti possono esplodere.

ATTENZIONE: al fine di evitare scottature, prima del consumo si raccomanda di agitare bene il contenuto di biberon o di vasetti per l'alimentazione dei bambini, nonché di controllarne la temperatura. Usare presine o guanti da forno quando si rimuove il cibo dal forno per prevenire ustioni. Per evitare il rischio di scottature:

- Aprire sempre contenitori, preparazioni per popcorn, borse per cottura al forno, ecc., lontano da viso e mani per evitare ustioni da vapore e zampilli di liquidi bollenti. Per evitare le ustioni, testare sempre la temperatura degli alimenti e agitare prima di servire e prestare particolare attenzione alla

temperatura degli alimenti e delle bevande dati a bambini o anziani. Le parti accessibili possono scaldarsi durante l'uso. I bambini piccoli devono essere tenuti lontano.

- La temperatura del contenitore non è una veritiera indicazione della temperatura del cibo o della bevanda; controllare sempre la temperatura del cibo.
- Per evitare le scottature causate dalla fuoriuscita del vapore e del calore, allontanarsi dallo sportello del forno durante l'apertura.
- Per far uscire il vapore ed evitare ustioni, praticare alcune incisioni sui cibi ripieni riscaldati.
- Tenere i bambini lontano dallo sportello per impedire che si ustionino.

ATTENZIONE: permettete l'utilizzo del forno ai bambini dagli 8 anni in su senza supervisione solamente dopo aver dato le necessarie istruzioni, in modo che il bambino sia in grado di utilizzare il forno in tutta sicurezza e abbia capito i pericoli di un uso improprio.

Quando l'elettrodomestico è in funzione nelle modalità GRILL, MIX GRILL, CONVEZIONE, MIX CONVEZIONE e MENU AUTO (modalità applicabile a seconda del modello), i bambini dovrebbero utilizzarlo solo con la supervisione di un adulto a causa della temperatura generata.

Questo apparecchio non è inteso per l'utilizzo da parte di persone (compresi bambini) che abbiano ridotte capacità fisiche, sensoriali o mentali, mancanza di esperienza e conoscenze, a meno che non siano state date loro supervisione o istruzioni riguardo l'utilizzo dell'apparecchio da parte di una persona responsabile della loro sicurezza.

I bambini dovrebbero essere supervisionati per assicurarsi che non giochino con l'apparecchio. La pulizia da parte dei bambini deve essere monitorata.

I modelli con pannello touch elettronico sono dotati di una modalità blocco per bambini.

Non appoggiarsi o far dondolare lo sportello. Non giocare col forno né usarlo come se fosse un giocattolo.

Illustrare ai bambini le norme di sicurezza: insegnare loro ad usare le presine per togliere i piatti dal forno, a rimuovere con precauzione i coperchi e, in particolare, gli involucri (ad esempio i materiali autoriscaldanti) usati per rendere il cibo croccante, in quanto possono diventare estremamente caldi.

Altri avvertimenti

Non modificare in alcun modo il forno.

Non spostare il forno mentre sta funzionando.

Questo apparecchio è pensato per l'uso casalingo. Questo forno è progettato per la preparazione di cibo in casa e può essere usato soltanto per cucinare cibo e bevande. Asciugare cibo o tessuti o scaldare cuscini, pantofole, spugne, panni umidi o oggetti simili può provocare il rischio di lesioni, scintille o fiamme. Non è adatto all'uso commerciale o in laboratorio.

Per evitare difetti di funzionamento o danni al forno:

Non azionare il forno quando è vuoto. Usando un piatto per rosolare i cibi, o del materiale autoriscaldante, mettere sempre sotto di esso del materiale isolante resistente al calore, come un piatto di porcellana, per evitare danni alla base del forno a causa del calore. Non dovete inoltre superare il tempo di preriscaldamento specificato nelle istruzioni del piatto.

Non utilizzare utensili in metallo, che riflettono le microonde e possono causare archi elettrici. Non mettere lattine nel forno.

Per prevenire la rottura del piatto rotante o della base del forno:

- a) Prima di pulire con acqua, attendere che si sia raffreddato.
- b) Non mettere cibo o utensili caldi o freddi sul piatto rotante freddo o sulla base del forno fredda.

- c) Non mettere alcun oggetto sul mobile esterno durante il funzionamento del forno.

NOTA:

Non utilizzare contenitori di plastica per la cottura a microonde se il forno è ancora caldo dopo l'utilizzo di una modalità combinata (a seconda del modello del forno) perché potrebbero sciogliersi.

I contenitori di plastica non devono essere usati nelle funzioni sopra citate, a meno che il produttore degli stessi contenitori non affermi che essi siano adatti a questo tipo di utilizzo.

Se non siete sicuri su come collegare il vostro forno, consultare un elettricista autorizzato e qualificato.

Né il produttore né il rivenditore si fanno carico di alcuna responsabilità per danni al forno o per lesioni personali derivanti dal mancato rispetto della procedura di collegamento elettrico.

Si possono talvolta formare del vapore acqueo o delle gocce sulle pareti del forno o attorno alle guarnizioni e alle superfici di tenuta. Ciò è del tutto normale e non è indice di malfunzionamento o di perdita.

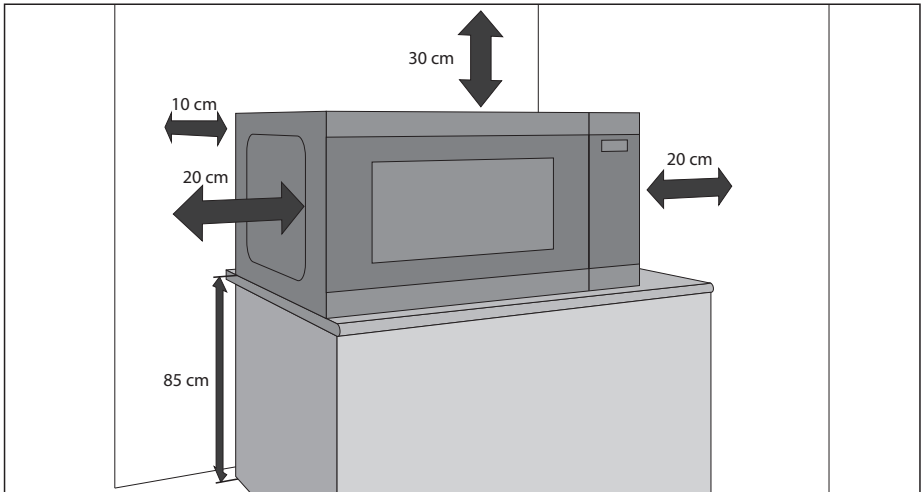
Questo apparecchio è progettato per l'uso domestico e in applicazioni simili, come: aree cucina riservate allo staff in negozi, uffici e altri ambienti professionali; fattorie; uso da parte di clienti in hotel, motel e altri ambienti di tipo residenziale; ambienti tipo bed and breakfast.



Questo simbolo sta a significare che le superfici potrebbero diventare calde durante l'utilizzo.

INSTALLAZIONE

1. Togliere tutto il materiali all'interno del forno e togliete tutte le pellicole protettive dal microonde e sulla sua superficie.
2. Controllare con attenzione che il forno non sia danneggiato.
3. Posizionare il forno su di una superficie sicura e piana, resistente a sufficienza per sostenere il peso del forno e il più pesante elemento possibile che possa esservi cucinato. Non mettere il forno in un armadio.
4. Scegliere una superficie che dia sufficiente spazio alle ventole di ingresso e uscita. Vedere l'immagine nella prima pagina. La parte posteriore dell'elettrodomestico deve essere posizionata contro il muro.
 - L'altezza minima per l'installazione è 85 cm.
 - È richiesto uno spazio minimo di 20 cm tra i lati del forno a microonde e qualunque parete adiacente.
 - Lasciare almeno 30 cm di spazio sopra il forno.
 - Non togliere i piedini da sotto il forno.
 - Bloccare la presa e/o i bocchettoni di sfato potrebbe danneggiare il forno.
 - Posizionare il forno il più lontano possibile da radio e televisori. Il funzionamento del microonde potrebbe causare interferenze con la radio o il televisore.



5. Inserire la spina del cavo di alimentazione del forno in una presa a muro standard a massa.

AVVERTENZE:

Non posizionare il forno in un posto in cui si producono calore, condensa o grande umidità (per esempio vicino o sopra un normale forno) o vicino a materiali combustibili (per esempio tende).

Non bloccare od ostruire le bocche di areazione.

Non appoggiare oggetti sopra il forno.

Non toccare l'esterno del forno a microonde durante o poco dopo l'utilizzo, poiché sarà caldo.

INTERFERENZE RADIO

L'utilizzo del forno a microonde può provocare interferenze a radio, televisori o apparecchi simili. Quando si verificano tali interferenze, possono essere ridotte o eliminate prendendo le seguenti misure:

1. Pulire lo sportello e l'interno nel punto in cui si incrociano.
2. Cambiare la direzione dell'antenna di ricezione della radio o del televisore.
3. Cambiare la posizione del forno a microonde rispetto al ricevitore.
4. Collegare la spina del forno a microonde in una presa diversa in modo che il forno a microonde e il ricevitore non siano connessi alla stessa presa.

ISTRUZIONI SULLA MESSA A TERRA

Questo apparecchio deve essere connesso alla messa a terra. Questo forno è dotato di un cavo con un filo per la messa a terra con una spina appropriata. Deve essere connessa a una presa a muro che sia stata installata e collegata alla terra correttamente. Nel caso di un corto circuito elettrico, la messa a terra riduce il rischio di scosse elettriche fornendo una fuga per la corrente. Si raccomanda di usare una presa dedicata soltanto a questo forno.



ATTENZIONE: l'uso improprio della spina con messa a terra può provocare rischi di scosse elettriche.

NOTA:

1. In caso di domande sulla messa a terra o istruzioni elettriche, consultare un elettricista qualificato o un addetto all'assistenza.
2. Né il produttore né il rivenditore si fanno carico di alcuna responsabilità per danni al forno o per lesioni personali derivanti dal mancato rispetto della corretta procedura di collegamento elettrico.

Il circuito usato nel forno a microonde usa i seguenti colori per i fili:

Verde e giallo = TERRA

Blu = NEUTRALE

Marrone = CONDUTTORE

SPECIFICHE

Nome del modello:		YC-QS204A	YC-QS254A	YC-QG204A	YC-QG234A	YC-QG254A
Tensione linea AC		230–240 V, 50 Hz singola fase				
Fusibile linea distribuzione/interruttore di circuito		10 A				
Corrente:	Microonde	800 W	900 W	800 W	900 W	900 W
	Griglia			1000 W	1000 W	1000 W
	Modalità risparmio energetico	>0,5 W	>0,5 W	>0,5 W	>0,5 W	>0,5 W
	Tensione di alimentazione CA richiesta	1200 W	1400 W	1200 W	1400 W	1400 W
Frequenza microonde		2450 MHz*				
Dimensioni esterne (S) x (A) x (A) mm		457 x 272 x 379	490 x 288 x 395	457 x 272 x 391	490 x 288 x 393	490 x 288 x 411
Dimensioni cavità (S) x (A) x (A)** mm		315 x 180 x 328	340 x 197 x 338	315 x 180 x 328	340 x 197 x 338	340 x 197 x 340
Capacità forno		20 litri**	25 litri**	20 litri**	23 litri**	25 litri**
Dimensioni piano interno (S) x (A) x (A) mm		262 x 262				
Dimensioni griglia grill (L) x (P) mm				294 x 236	315 x 308	315 x 308
Peso		circa 11,7 kg	circa 13,3 kg	circa 12,4 kg	circa 14,4 kg	circa 14,6 kg
Lampadina del forno (tipo LED)		1,5 W				

* - Questo prodotto soddisfa i requisiti dello standard europeo EN55011. In conformità con questo standard, questo prodotto è classificato come apparecchiatura di gruppo 2 classe B.

Gruppo 2 significa che l'apparecchiatura genera intenzionalmente energia a radiofrequenza nella forma di radiazione elettromagnetica per il trattamento al calore degli alimenti.

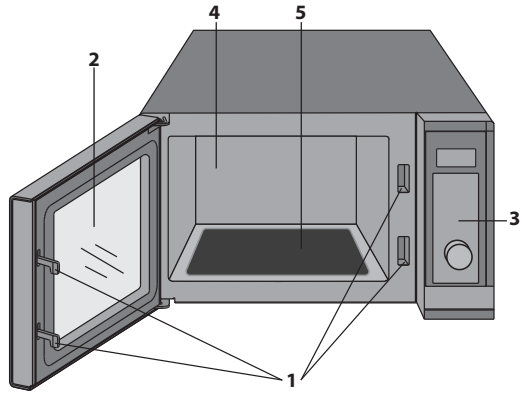
Apparecchiatura di classe B significa che l'apparecchiatura è idonea per l'uso domestico.

** - La capacità interna è calcolata misurando larghezza, profondità e altezza massime. Lo spazio a disposizione per gli alimenti è inferiore.

NEL QUADRO DELLA NOSTRA POLITICA DI MIGLIORAMENTO CONTINUO, LE SPECIFICHE TECNICHE POSSONO ESSERE MODIFICATE SENZA COMUNICAZIONE PREVENTIVA.

FORNO E ACCESSORI

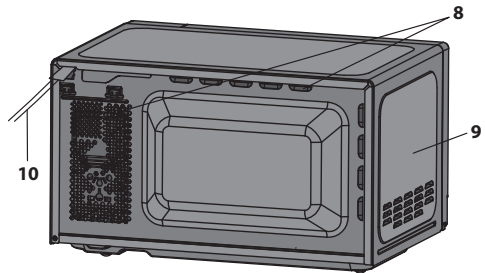
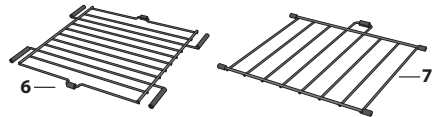
1. Sistema di blocco di sicurezza dello sportello
2. Sportello del forno
3. Manopola e pulsanti di controllo
4. Cavità del forno
5. Piano interno: tenerlo pulito e privo di depositi
6. Griglia per grill per YC-QG234A e YC-QG254A
7. Griglia per grill per YC-QG204A
8. Aperture di ventilazione
9. Rivestimento esterno
10. Cavo per l'alimentazione



Accertatevi che i seguenti accessori siano presenti:

Solo forni con grill

- **Griglia per grill:** solo per l'uso nella cottura in funzione grill.
- La griglia per grill è progettata per l'uso solo con forni a grill. Non utilizzare la griglia quando è in uso la sola funzione microonde.
- Per l'uso della griglia per grill, consultare le sezioni relative al grill di questo manuale.
- NON rimuovere le coperture dalle estremità della griglia per grill.



Non toccate mai il grill quando è caldo.

NOTA: Ordinando gli accessori, indicare due elementi: nome della parte e il nome del modello.

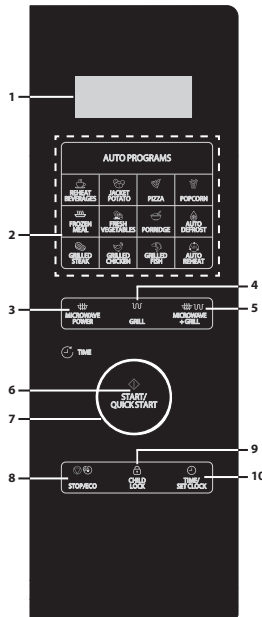
NOTE:

- Dopo aver cucinato cibi grassi senza un coperchio, pulite sempre l'interno, che deve essere asciutto e senza tracce di grasso. L'accumulo di grasso potrebbe surriscaldarsi, fumare o prendere fuoco.
- Durante la cottura a microonde, collocare sempre le stoviglie sulla base.
- NON utilizzare la griglia per grill con la funzione microonde.

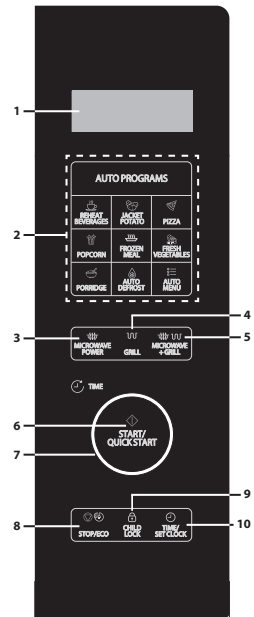
⚠ ATTENZIONE: ⚠ questo simbolo indica che le superfici possono diventare bollenti durante l'uso. Lo sportello, il cabinato esterno, la cavità del forno, accessori e piatti divengono molto caldi durante il funzionamento. Per prevenire le ustioni, usare sempre spessi guanti da forno.

PANNELLO DI CONTROLLO

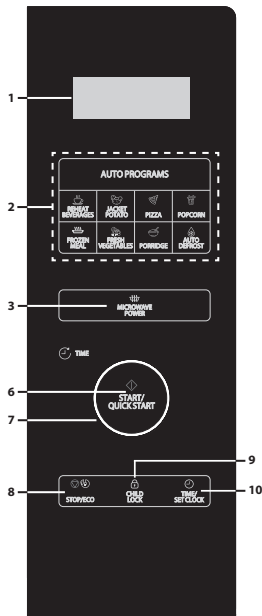
- DISPLAY DIGITALE:** mostra tempo di cottura, potenza, indicatori e orario.
- Tasti MENU AUTO:** premere per selezionare il menu di cottura automatica. (Consultare pagina 18 per suggerimenti sull'uso).
- MICROWAVE POWER (POTENZA MICROONDE):** premere per selezionare il livello di potenza delle microonde. (Pagina 16).
- GRILL:** premere per impostare il programma di cottura grill. (Pagina 17).
- MICROWAVE+GRILL (MICROONDE+GRILL):** premere per impostare il programma di cottura con combinazione di microonde e grill. (Pagina 17).
- START/QUICK START (AVVIO/AVVIO RAPIDO):** (pagina 17).
- MANOPOLA:** ruotare in senso orario o antiorario per impostare le varie funzioni.
- STOP/ECO:** premere una volta per fermare temporaneamente la cottura, o due volte per annullare del tutto la cottura. Usare per impostare la modalità di risparmio energetico. (Pagina 19).
- CHILD LOCK (BLOCCO PER BAMBINI):** (pagina 20).
- TIME/SET CLOCK (ORA/IMPOSTA OROLOGIO):** usare per impostare l'orario. Usare per impostare la funzione timer. (Pagina 15).



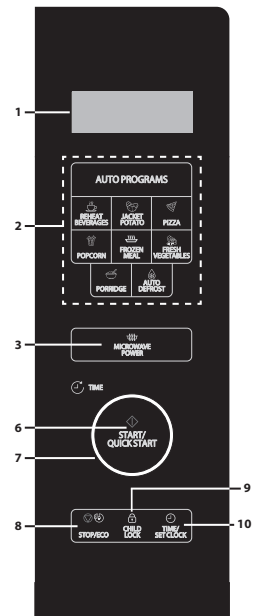
YC-QG234A, YC-QG254A



YC-QG204A



YC-QS254A



YC-QS204A

PRIMA DI USARE IL FORNO

Quando il forno viene connesso all'alimentazione per la prima volta, si udirà un segnale acustico e il display mostrerà "1:00". Bisogna tenere presente che l'orologio non deve necessariamente essere impostato il forno funzioni correttamente. Per impostare l'orario, seguire le istruzioni nella sezione "Impostare l'ora" di questo manuale utente. Quando è nuovo, la prima volta che viene usato il grill, verranno emessi fumo e odori. Per evitare che questo accada mentre si cuoce il cibo, usare la funzione grill per circa 20 minuti.

- Dopo l'apertura e la chiusura dello sportello, il forno entrerà in modalità stand-by. Se non viene premuto alcun pulsante entro 1 minuto, il display resterà acceso e i pulsanti non funzioneranno. Per entrare nuovamente in modalità stand-by, aprire e chiudere lo sportello.
- Durante la cottura, se il pulsante **STOP/ECO** viene premuto una volta, il ciclo di cottura verrà messo in pausa. Per riavviare al cottura premere il pulsante **AVVIO/AVVIO RAPIDO**. Se il pulsante **STOP/ECO** viene premuto due volte, verrà cancellata la cottura..
- Quando si programma il forno per una funzione in particolare e c'è una pausa tra le pressioni dei pulsanti di oltre 30 secondi, il forno tornerà alla modalità stand-by.
- Quando si completa un ciclo di cottura, il display mostrerà "End" (Fine) e verrà emesso un segnale acustico ogni due minuti finché non viene premuto un pulsante o non viene aperto lo sportello.

IMPOSTARE L'OROLOGIO

Questo forno ha un orologio che può essere usato in modalità da 12 o 24 ore. Per impostare l'orologio, seguire le seguenti istruzioni.

1. In modalità stand-by, premere e tenere premuto **ORA/IMPOSTA OROLOGIO** per almeno 3 secondi per entrare nella modalità di impostazione dell'orologio.
 2. Premere il pulsante **ORA/IMPOSTA OROLOGIO** per selezionare la modalità oraria da 12 o 24 ore.
 3. Ruotare la **MANOPOLA** per impostare l'orario. Premere il pulsante **ORA/IMPOSTA OROLOGIO** per memorizzare.
 4. Ruotare la **MANOPOLA** per impostare i minuti. Premere il pulsante **ORA/IMPOSTA OROLOGIO** per memorizzare e uscire dalla modalità di impostazione dell'orologio.
- Non è necessario impostare l'orologio perché il forno funzioni normalmente.
 - In modalità cottura, premere il pulsante **ORA/IMPOSTA OROLOGIO** per vedere l'ora del giorno (se impostata). L'ora passerà di nuovo al conteggio della cottura dopo 5 secondi. Bisogna tenere presente che l'ora non può essere visualizzata se è stato impostato il timer.

COTTURA A MICROONDE

Per usare la funzione microonde, seguire le istruzioni di seguito:

1. In modalità stand-by, premere il pulsante **POTENZA MICROONDE** per selezionare il livello di potenza. Ogni volta che viene premuto il pulsante, il display mostrerà il livello di potenza delle microonde.
2. Una volta selezionato il livello desiderato di potenza delle microonde, ruotare la **MANOPOLA** per selezionare la durata della cottura.
3. Premere il tasto **AVVIO/AVVIO RAPIDO** per iniziare a cuocere.
4. Quando si completa un ciclo di cottura, il display mostrerà "End" (Fine) e verrà emesso un segnale acustico ogni due minuti finché non viene premuto un pulsante o non viene aperto lo sportello.

Si tenga presente che la tabella di seguito è a scopo di guida. Il forno ha 10 livelli di potenza delle microonde: 10%, 20%, 30%, 40%, 50%, 60%, 70%, 80%, 90% e 100%. Il wattaggio effettivo emesso può essere calcolato moltiplicando la potenza delle microonde per la percentuale.

Guida alla cottura a microonde:

Display	Potenza microonde	Uso consigliato
P100	100 %	Impostazione usata per la cottura rapida o per riscaldare, ad es. per pasticci, bevande calde, verdure, ecc.
P-80	80 %	Per cibi densi che richiedono una cottura prolungata quando cucinati in modo convenzionale (ad esempio la carne di manzo). Si raccomanda di utilizzare questa impostazione per ottenere una carne tenera.
P-60	60 %	Per cotture più lunghe di cibi densi come arrosto, polpettone e pasti impiattati, nonché per piatti delicati come salsa al formaggio e torte spugnose.
P-40	40 %	Per scongelare; selezionare questa potenza per assicurarvi che il cibo si scongeli uniformemente. Questa impostazione è ideale anche per far cuocere a fuoco lento riso, pasta, tortellini e per creme all'uovo.
P-20	20 %	Per scongelamento delicato, per esempio per dolci al cucchiaino o pasticcini.

- Durante la cottura è possibile controllare il livello di potenza della cottura premendo e tenendo premuto il pulsante **POTENZA MICROONDE**.
- Il tempo massimo di cottura è 95 minuti.

AVVIO RAPIDO

Se c'è bisogno di cuocere al 100% di potenza, basta premere il pulsante **AVVIO/AVVIO RAPIDO** sulla **MANOPOLA** mentre si è in modalità stand-by. A ogni pressione del pulsante **AVVIO/AVVIO RAPIDO**, verranno aggiunti 30 secondi al tempo di cottura.

COTTURA GRILL

L'elemento riscaldante Grill nella parte alta dell'interno del forno ha soltanto un'impostazione di potenza, che è efficiente ed economica. Il grill è ideale per la cottura di pancetta, bistecche di prosciutto, bocconcini di pesce e biscotti da tè.

Usare la griglia del grill per grigliare cibi piccoli, come pancetta e salsicce, capovolgere a metà cottura. Il cibo può essere collocato direttamente sulla griglia o in un piatto flan oppure su un piatto termoresistente. Per evitare che goccioli olio o grasso dal cibo in cottura, assicurarsi che sotto la griglia del grill sia collocato un piatto adeguato. Quando si vuole imbrunire e rendere croccante la superficie di cibi in una casseruola, la griglia del grill può essere usata se il contenitore è abbastanza poco profondo. Tuttavia, si consiglia di collocare tali contenitori direttamente sulla base e aggiungere un po' di tempo in più per imbrunire e rendere croccante come desiderato.

Per usare la funzione grill, seguire le istruzioni di seguito:

1. In modalità stand-by, premere il pulsante **GRILL** per selezionare la funzione grill. Il display mostrerà "**Grill**".
2. Ruotare la **MANOPOLA** per selezionare il tempo di cottura.
3. Premere il tasto **AVVIO/AVVIO RAPIDO** per iniziare a cuocere.
4. Quando si completa un ciclo di cottura, il display mostrerà "End" (Fine) e verrà emesso un segnale acustico ogni due minuti finché non viene premuto un pulsante o non viene aperto lo sportello. Quando si completa un ciclo di cottura, il display mostrerà "End" (Fine) e verrà emesso un segnale acustico ogni due minuti finché non viene premuto un pulsante o non viene aperto lo sportello.

* - Solo modelli con grill.

MICROONDE + GRILL*

Usare sia la funzione microonde che grill è possibile per dorare e cuocere rapidamente il cibo. Per usare la funzione microonde e grill, seguire le istruzioni di seguito:

1. In modalità stand-by, premere il pulsante **MICROONDE + GRILL** una volta o due per selezionare "Co-1" o "Co-2".
2. Ruotare la **MANOPOLA** per selezionare il tempo di cottura.
3. Premere **AVVIO/MINUTO QUICK** per avviare.
4. Quando si completa un ciclo di cottura, il display mostrerà "**End**" (Fine) e verrà emesso un segnale acustico ogni due minuti finché non viene premuto un pulsante o non viene aperto lo sportello.

Funzione microonde + grill

Display	Output	Uso consigliato
Co-1	70% grill / 30% microonde	Pezzi di pollo, petti di pollo, bocconi di maiale
Co-2	56% grill / 44% microonde	Pollo intero

- Il tempo di cottura massimo con il grill è 95 minuti.
- Durante la grigliatura permettere al fumo e agli odori di disperdersi aprendo una finestra o attivando la cappa della cucina. Questo è un comportamento normale e non un difetto del forno.
- Durante la cottura puoi controllare la combinazione attuale di potenza di cottura toccando il pulsante **MICROONDE + GRILL**.
- Quando si usa la funzione grill, il grill si accenderà e spegnerà a intervalli regolari per prevenire il surriscaldamento.
- Quando si usa la funzione MICROONDE + GRILL, il cibo può essere collocato in un contenitore adatto direttamente sulla base del forno o sulla griglia del grill fornita.

ATTENZIONE: lo sportello, la copertura esterna, l'interno e gli accessori diventano molto caldi durante il funzionamento. Per evitare bruciature, usate sempre guanti da forno.

* - Solo modelli con grill.

MENU AUTOMATICI

Per una questione di comodità, i programmi automatici permettono al cibo di essere cotto rapidamente e in maniera efficace con sole poche pressioni di pulsanti. Non è necessario programmare la durata o la potenza della cottura: tutto ciò che serve è premere il pulsante di cottura automatica, indicare il peso/i pezzi ruotando la **MANOPOLA** e poi premere il pulsante **AVVIO/AVVIO RAPIDO**.

Per esempio, per cuocere due patate al cartoccio.

1. Aprire lo sportello e collocare il cibo all'interno del forno usando delle stoviglie adeguate al ciclo di cottura usato.
2. Chiudere lo sportello.
3. Premete una volta il tasto **PATATA AL CARTOCCIO**.
4. Ruotare la **MANOPOLA** per indicare il numero di patate.
5. Premere **AVVIO/AVVIO RAPIDO**.
6. Quando si completa un ciclo di cottura, il display mostrerà "End" (Fine) e verrà emesso un segnale acustico ogni due minuti finché non viene premuto un pulsante o non viene aperto lo sportello.

Menu cottura automatica:

Menu automatico	Metodo per selezionare peso o pezzi	Dimensioni/ peso	Programma automatico
Pasto congelato	Selezionare il peso ruotando la MANOPOLA , quindi premere il pulsante AVVIO/AVVIO RAPIDO per cominciare la cottura.	Da 200 a 800 g	-
Scongelamento automatico		Da 100 a 1800 g	-
Riscaldare bevande	Selezionare il numero di tazze ruotando la MANOPOLA , quindi premere il pulsante AVVIO/AVVIO RAPIDO per cominciare la cottura.	Da 1 a 3 tazze (da 200 ml ciascuna)	-
Patate al forno	Selezionare il numero di patate ruotando la MANOPOLA , quindi premere il pulsante AVVIO/AVVIO RAPIDO per cominciare la cottura.	Da 1 a 3 patate (da 230 g ciascuna)	-
Popcorn	Selezionare il peso ruotando la MANOPOLA , quindi premere il pulsante AVVIO/AVVIO RAPIDO per cominciare la cottura.	Incrementi da 100 g	-
Verdure fresche		Da 200 a 600 g	-
Pizza		150g / 300g / 450 g	-
Porridge		Da 50 a 150 g	-
Bistecca alla griglia*		Da 200 a 600 g	A-1
Pollo grigliato*		Da 200 a 600 g	A-2
Riscaldamento automatico*		Da 200 a 800 g	A-3
Pesce grigliato*		Da 100 a 500 g	A-4

* - Solo modelli con grill.

- Il risultato della cottura automatica dipende da fattori quali la forma e la dimensione del cibo, le preferenze personali in termini di cottura di certi cibi e come il cibo viene collocato nel forno. Se il risultato della cottura non è soddisfacente, regolare il tempo di cottura di conseguenza.

Nota: il pulsante Menu automatici è usato solo sui modelli YC-QG204A. A ogni pressione del pulsante Menu automatici, il display mostrerà il programma automatico come indicato nella tabella precedente. Quando viene trovato il menu automatico desiderato, ruotare la **MANOPOLA** per selezionare il peso del cibo da cuocere.

SCONGELAMENTO AUTOMATICO

Lo scongelamento automatico permette di scongelare il cibo in base al peso. Il tempo di scongelamento e il livello di potenza sono configurati automaticamente una volta programmati la categoria di cibo e il peso. Il peso del cibo congelato va da 100 g a 1800 g.

1. In modalità stand-by, premere il pulsante **SCONGELAMENTO AUTOMATICO**.
2. Ruotare la **MANOPOLA** per selezionare il peso del cibo da scongelare.
3. Premere il tasto **AVVIO/AVVIO RAPIDO** per iniziare il ciclo di scongelamento.
4. Se il forno si arresta durante il ciclo di scongelamento, capovolgere il cibo per assicurare uno scongelamento uniforme e quindi premere **AVVIO/AVVIO RAPIDO** per scongelare il tempo rimanente.
5. Quando si completa un ciclo di scongelamento, il display mostrerà "End" (Fine) e verrà emesso un segnale acustico ogni 2 minuti finché non viene premuto un pulsante o non viene aperto lo sportello.

RISCALDAMENTO AUTOMATICO*

Il forno permette di riscaldare il cibo in base al peso indicato dall'utente. Il tempo di riscaldamento e il livello di potenza sono configurati automaticamente una volta programmati la categoria di cibo e il peso. Il peso per lo scongelamento va da 200 g a 800 g.

1. In modalità stand-by, premere il pulsante **RISCALDAMENTO AUTOMATICO**.
2. Ruotare la **MANOPOLA** per selezionare il peso del cibo da riscaldare.
3. Premere **AVVIO/AVVIO RAPIDO**.
4. Quando si completa un ciclo di cottura, il display mostrerà "End" (Fine) e verrà emesso un segnale acustico ogni due minuti finché non viene premuto un pulsante o non viene aperto lo sportello.

* - Solo modelli con grill.

TIMER DA CUCINA

Il forno è dotato di timer che conterà alla rovescia dal tempo impostato.

1. In modalità stand-by, premere una volta il pulsante **ORA/IMPOSTA OROLOGIO**.
2. Ruotare la **MANOPOLA** per impostare il tempo desiderato. Il tempo più lungo è di 95 minuti.
3. Premere **AVVIO/AVVIO RAPIDO** per confermare.
4. Il display farà il conto alla rovescia dal tempo di cottura impostato.
5. Quando il display raggiunge lo zero, verrà emesso un segnale acustico.

Inoltre è possibile usare il timer nella modalità di cottura. Per farlo, seguire i passaggi come definiti in precedenza mentre il cibo è in cottura. Una volta attivato il timer, questo apparirà sul display per cinque secondi, quindi il display tornerà a mostrare il time col conto alla rovescia per il ciclo di cottura. Per visualizzare di nuovo il timer, premere il pulsante **ORA/IMPOSTA OROLOGIO** una volta e il time apparirà per cinque secondi, per poi tornare a mostrare il conto alla rovescia della cottura.

- Per annullare il programma **TIMER** premere il pulsante **STOP/ECO** e l'orologio mostra l'ora.
- Se è stato avviato un ciclo di cottura, è possibile avviare il timer seguendo i passaggi come descritto in precedenza.

FUNZIONE RISPARMIO ENERGETICO

Questa funzione permette di risparmiare corrente mentre il forno non è in uso. Per attivare questa funzione in modalità stand-by, premere e tieni premuto **STOP/ECO** per 3 secondi, il display si spegnerà; il forno entrerà in modalità risparmio energetico.

Per cancellare la funzione, premere qualsiasi pulsante oppure aprire e chiudere una volta lo sportello.

FUNZIONE MUTO

È possibile silenziare i suoni del microonde usando la funzione muto. Per impostare la funzione muto premere una volta il pulsante **BLOCCO BAMBINI** e il display mostrerà "oFF" per 5 secondi. Mentre si è in modalità muto, non saranno emessi suoni alla pressione dei pulsanti.

Per disattivare la funzione muto, premere una volta il pulsante **BLOCCO BAMBINI**, il display visualizzerà "on" per 5 secondi per indicare che l'audio è stato riattivato.

Se la funzione muto è impostata e il forno viene disconnesso dall'alimentazione, la funzione sarà cancellata quando l'alimentazione viene ripristinata.

BLOCCO DI SICUREZZA

Questa è una funzione automatica per prevenire l'uso del forno da parte di bambini senza supervisione. Un modalità stand-by, se non viene eseguita alcuna operazione per 1 minuto, il forno entrerà automaticamente in modalità blocco di sicurezza e "Loc" apparirà sul display. In questo stato, tutti i pulsanti sono disattivati. Premere un pulsante qualsiasi, la spia del blocco appare sul display per 5 secondi per ricordare all'utente di disattivare il blocco di sicurezza.

Per rimuovere il blocco, aprire lo sportello del microonde e il tastierino tornerà attivo e la spia del blocco si spegnerà.

BLOCCO BAMBINI

1. Per impostare il BLOCCO BAMBINI, premere e tenere premuto il pulsante **BLOCCO BAMBINI** per 3 secondi; si udirà un lungo segnale acustico e il display indicherà "Loc". Il forno ora è in modalità BLOCCO BAMBINI. In questa modalità, il display mostrerà l'orologio; se viene premuto un pulsante qualsiasi o lo sportello viene aperto, apparirà "Loc" per 5 secondi.
2. Per annullare il BLOCCO BAMBINI, tenere premuto il tasto **BLOCCO BAMBINI** per 3 secondi finché non si udirà un lungo bip.

PULIZIA E MANUTENZIONE

1. Spegner il forno e staccare la spina dalla presa quando si pulisce.
2. Tenere l'interno del forno pulito. Quando il cibo schizza o si riversano dei liquidi aderendo alle pareti del forno, sul lato superiore o sulla base, ripulirle con un panno umido. Detergenti leggeri possono essere usati se il forno si sporca molto. Evitare di usare spray o altri detergenti più aggressivi. Potrebbero macchiare, graffiare o rovinare la superficie dello sportello.
3. L'esterno del forno deve essere pulito con un panno umido. Per prevenire danni alle parti funzionali all'interno del forno, non bisogna permettere che penetri acqua nelle aperture di ventilazione.
4. Strofinare lo sportello e la finestra su entrambi i lati, le giunture dello sportello e le parti adiacenti frequentemente con un panno umido per rimuovere eventuali riversamenti e macchi.
5. Non usare detergenti abrasivi.
6. Non pulire usando detergenti a vapore.
7. Non permettere che il pannello di controllo si bagni. Pulire con un panno soffice e umido. Quando si pulisce il pannello di controllo, lasciare lo sportello del forno aperto per evitare che il forno si accenda accidentalmente.
8. Se si accumula vapore all'interno o attorno l'esterno dello sportello del forno, ripulire con un panno umido. Ciò può verificarsi quando il forno microonde viene usato in condizioni di alta umidità. Non è un difetto.
9. La superficie di base del forno dovrebbe essere pulita regolarmente per evitare contaminazioni e possibili danni e archi elettrici. Basta strofinare la superficie del forno con un lieve detergente.
10. Rimuovere odori dal forno combinando una tazza d'acqua con il succo e la buccia di un limone in una ciotola che può essere usata con le microonde. Usare le microonde per 5 minuti. Strofinare con cura e asciugare con un panno morbido.
11. Se la lampadina si guasta, contattare l'assistenza tecnica per un consiglio.
12. Il forno deve essere pulito regolarmente ed eventuali depositi di cibo devono essere rimossi. Il mancato mantenimento del forno in condizioni di pulizia può portare al deterioramento della superficie che può avere effetti negativi sull'unità e potrebbe provocare situazioni pericolose.
13. Non smaltire questo apparecchio nei rifiuti domestici; consultare le indicazioni del tuo paese su come smaltire questo tipo di prodotto.

UTENSILI ADATTI

1. Il materiale ideale per un utensile per microonde è trasparente alle microonde, e quindi permette all'energia di passare attraverso il contenitore e riscaldare il cibo.
2. Le microonde non possono penetrare il metallo, quindi non bisogna usare utensili di metallo o stoviglie con finiture metalliche.
3. Non usare prodotti in carta riciclata nella cottura a microonde, in quanto potrebbero contenere piccoli frammenti metallici che potrebbero provocare scintille e/o fiamme.
4. Sono consigliate stoviglie rotonde/ovaliformi piuttosto che quadrate/rettangolari, in quanto il cibo negli angoli tende a cuocersi troppo.
5. Si possono usare strisce sottili di fogli di alluminio per evitare che le aree esposte si cuociano troppo. Tuttavia, bisogna fare attenzione non usarne troppo e di mantenere una distanza di 2,54 cm tra il foglio e le pareti interne.

La seguente lista è una guida generale per aiutare l'utente a selezionare gli utenti corretti.

Utensile	Microonde Sicura	Griglia	Commento
Piatto crisp	✓ / ✗	✗	Seguite sempre le istruzioni del produttore. Non superate i tempi di cottura indicati. Prestate molta attenzione, poiché i piatti possono diventare molto caldi.
Porcellana e ceramica	✓ / ✗	✗	Porcellana, terracotta, vasellame smaltato e porcellana fine sono di solito adatti, a meno che non abbiano decorazioni in metallo.
Vetro termoresistente	✓	✓	Bisogna fare attenzione che gli utensili in vetro siano adatti all'uso in un forno a microonde.
Vetro non termoresistente	✗	✗	
Ceramica termoresistente	✓	✓	Assicurarsi che i materiali in ceramica non siano troppo spessi o che non contengano troppi minerali.
Stoviglie di plastica utilizzabili nel microonde	✓	✗	Controllare sempre che le stoviglie di plastica sono adatte all'uso in un forno a microonde.
Carta da cucina	✓ / ✗	✗	Usare solo carta da cucina consigliata per l'uso in forni a microonde.
Articoli di vetro p.es. Pyrex®	✓ / ✗	✓	Fate attenzione se utilizzate stoviglie in vetro fine, poiché potrebbero rompersi o creparsi se riscaldate improvvisamente.
Vassoio di metallo	✗	✓	Non è consigliato l'utilizzo di utensili da cucina in metallo perché possono creare archi elettrici che, a loro volta, possono causare fuoco o incendi.
Griglia di metallo	✗	✓	Non è consigliato l'utilizzo di utensili da cucina in metallo perché possono creare archi elettrici che, a loro volta, possono causare fuoco o incendi.
Fogli di alluminio vaschette di alluminio	✓ / ✗	✓	Piccoli pezzi di fogli di alluminio possono essere utilizzati per proteggere il cibo dal surriscaldamento. Mantenete i fogli ad almeno 2,54 cm dalle pareti del forno, poiché potrebbero verificarsi archi elettrici. Le vaschette di alluminio non sono consigliate, a meno che il produttore non lo specifichi, per esempio Microfoil®. Seguite attentamente le istruzioni.
Pellicola protettiva	✓	✗	Non dovrebbe toccare il cibo e deve essere forata per permettere al vapore di fuoriuscire.
Plastica/polistirene, per esempio contenitori di fast food	✓	✗	Fate attenzione poiché alcuni contenitori si deformano, si sciolgono o scoloriscono ad alte temperature.
Sacchetti per il freezer/l'arrosto	✓	✗	Deve essere forato per far fuoriuscire il vapore. Assicuratevi che i sacchetti utilizzati siano adatti all'utilizzo nel forno a microonde.
Carta - piatti, bicchieri e carta da cucina	✓	✗	Non utilizzate fermagli in plastica o metallo poiché possono sciogliersi o prendere fuoco a causa degli archi metallici.
Paglia e contenitori di legno	✓	✗	Usate solamente per scaldare o per assorbire l'umidità. Fate attenzione, poiché il surriscaldamento può causare incendi.
Carta riciclata e giornali	✗	✗	Fate sempre attenzione al forno quando utilizzate questi materiali perché il surriscaldamento può provocare fiammate. Può contenere estratti di metallo che causano archi metallici e possono sfociare in fiammate.



ATTENZIONE: in caso di riscaldamento di alimenti inseriti in contenitori di plastica o di carta, a causa della possibilità della loro combustione mantenete il forno sotto osservazione.

NOTA: non lasciare il forno senza supervisione mentre è in funzione.

RACCOMANDAZIONI PER CUCINA A MICROONDE

Le microonde cuociono il cibo più rapidamente della cottura convenzionale. Quindi è essenziale che certe tecniche vengano seguite per assicurare buoni risultati. Molte delle seguenti tecniche sono simili a quelle utilizzate nella cottura convenzionale.



ATTENZIONE: i liquidi e gli alimenti non devono essere riscaldati in contenitori sigillati o vasetti/ contenitori con coperchi, perché la pressione aumenta all'interno e potrebbe causarne l'esplosione.

CONSIGLI PER LA COTTURA:

- Essere sempre presenti durante l'uso del forno.
- Assicurarsi che gli utensili siano adatti per l'uso in un forno a microonde.
- Usare solo popcorn a microonde all'interno della confezione consigliata (seguire le istruzioni del produttore). Non usare olio a meno che non sia specificato dal produttore e non cuocere più di quanto indicato.



ATTENZIONE: se si superano i tempi di cottura consigliati e si usano livelli di potenza troppo elevati, gli alimenti potrebbero surriscaldarsi, bruciare e in circostanze estreme, prendere fuoco e danneggiare il forno.

Disposizione

Collocare le parti più spesse degli alimenti verso l'esterno del piatto, ad es. le cosce di pollo.

Gli alimenti collocati verso l'esterno del piatto ricevono meno energia, quindi cuociono più rapidamente rispetto a quelli al centro.

Coperchio

Alcuni alimenti beneficiano dall'essere coperti durante la cottura al microonde.

Usare una pellicola per microonde o un coperchio adatto.

Bucare

Gli alimenti con guscio, pelle, o membrana devono essere bucati molte volte di essere cotti o riscaldati perché si forma vapore e potrebbe causarne l'esplosione, ad es. patate, pesce, pollo, salsicce.

NOTA: le uova non vanno riscaldate usando la potenza delle microonde in quanto potrebbero esplodere, anche dopo che la cottura è terminata. Ad es. uova in camicia, fritte, sode.

Agitare, girare e ricollocare

Per una cottura uniforme è essenziale agitare, girare e ricollocare gli alimenti durante la cottura. Agitare e ricollocare sempre dall'esterno verso il centro.

Riposo

Dopo la cottura è necessario lasciare riposare per qualche istante: ciò consente la dispersione uniforme del calore negli alimenti.

Caratteristiche degli alimenti	
Composizione	<p>Gli alimenti ricchi di grasso o zucchero (p.es. budini, torte) richiedono meno tempo per la cottura. Fare attenzione perché un surriscaldamento può causare incendi.</p> <p>Le ossa negli alimenti conducono calore, e gli alimenti si cuociono più velocemente. Fare attenzione a una cottura uniforme degli alimenti.</p>
Densità	<p>La densità degli alimenti ha effetto sul tempo di cottura necessario.</p> <p>Gli alimenti leggeri e porosi, come torte o pane, si cuociono più rapidamente rispetto agli alimenti pesanti e densi come arrostiti e pasticci.</p>
Quantità	<p>Il numero di microonde nel forno resta lo stesso indipendentemente da quanto cibo viene cucinato. Il tempo di cottura deve essere aumentato se la quantità di alimenti nel forno aumenta.</p> <p>P.es. quattro patate richiedono più tempo di cottura di due.</p>
Dimensioni	<p>Gli alimenti e i pezzi piccoli si cuociono più rapidamente di quelli più grandi, poiché i microonde penetrano da tutti i lati verso il centro. Per una cottura uniforme fare pezzi delle stesse dimensioni.</p>
Forma	<p>Gli alimenti di forma irregolare, come pezzi o cosce di pollo, devono essere cotti più a lungo nelle parti più spesse. Per una cottura uniforme, collocare le parti più spesse all'esterno del piatto dove ricevono più energia.</p> <p>Le forme rotonde si cuociono in modo più uniforme delle forme squadrate con la cottura a microonde.</p>
Temperatura degli alimenti	<p>La temperatura iniziale degli alimenti ha effetto sul tempo di cottura necessario.</p> <p>Gli alimenti freddi richiedono più tempo per la cottura degli alimenti a temperatura ambiente.</p> <p>La temperatura del contenitore non è un'indicazione veritiera della temperatura degli alimenti o della bevanda. Tagliare gli alimenti con farciture, per esempio ciambelle alla marmellata, per rilasciare il calore o il vapore.</p>



ATTENZIONE: volto e mani: usare sempre guanti da forno per rimuovere gli alimenti o le stoviglie dal forno. Restare indietro quando si apre lo sportello del forno per consentire al calore o al vapore di disperdersi. Quando si rimuovono le coperture (come la pellicola), si aprono le borse degli arrostiti o la confezione del popcorn, tenere il vapore lontano da mani e volto.



ATTENZIONE: controllare la temperatura di alimenti e bevande e agitare prima di servire. Fare attenzione quando si servono i neonati, i bambini o gli anziani. I contenitori dei biberon e dei vasetti di omogeneizzati devono essere agitati o mescolati e controllare la temperatura prima di consumare per evitare bruciature.

CONSIGLI PER SCONGELAMENTO

Usare il forno a microonde è il metodo di scongelamento più rapido. Si tratta di un processo semplice ma le seguenti istruzioni sono essenziali per assicurare che gli alimenti siano adeguatamente scongelati.

- Rimuovere tutta la confezione e la copertura prima di scongelare.
- Per scongelare gli alimenti, usare i livelli da P-20 a P-40 di potenza delle microonde.
- Consultare le informazioni di seguito per ulteriori dettagli.

Spostare

Gli alimenti collocati verso l'esterno del piatto ricevono si scongelano più rapidamente degli alimenti al centro.

Pertanto è essenziale che gli alimenti siano spostati fino a quattro volte durante lo scongelamento.

Spostare i pezzi vicini dall'esterno al centro e spostare le parti sovrapposte.

Ciò garantisce che tutte le parti siano scongelate uniformemente.

Separare

Gli alimenti possono essere attaccati insieme quando sono rimossi dal congelatore. È importante separare gli alimenti non appena possibile durante lo scongelamento.

ad es. fette di pancetta, filetti di pollo.

Coperchio

Alcune aree degli alimenti scongelati possono divenire bollenti. Per impedire che diventino più calde e iniziare la cottura, queste aree devono essere protette con pezzettini di foglio di alluminio, che riflettono le microonde, ad es. per cosce e ali di pollo.

Riposo

Il tempo di riposo è necessario per assicurare che gli alimenti siano ben scongelati.

Lo scongelamento non è completo una volta che gli alimenti sono rimossi dal forno a microonde. Gli alimenti devono riposare, essere coperti, per un certo intervallo di tempo al fine di assicurare che il centro sia completamente scongelato.

Girare

È essenziale che tutti gli alimenti siano capovolti fino a 4 volte durante lo scongelamento.

È importante per assicurare uno scongelamento profondo.

CONSIGLI PER RISCALDAMENTO

Per il riscaldamento degli alimenti, seguire i consigli e le linee guida di seguito per garantire che gli alimenti siano ben riscaldati prima di servire.

Pasti impiattati

Rimuovere porzioni di carne o pollame, riscaldarle separatamente, vedere di seguito.

Collocare le parti più piccole degli alimenti al centro del piatto, gli alimenti più grandi e spessi sul bordo. Coprire con una pellicola da microonde e riscaldare alla potenza P-50, agitare/spostare a metà riscaldamento.

NOTA: assicurarsi che gli alimenti siano ben riscaldati prima di servire.

Carne affettata

Coprire con una pellicola da microonde e riscaldare alla potenza P-60. Spostare almeno una volta per garantire un riscaldamento uniforme.

NOTA: assicurarsi che la carne sia ben riscaldata prima di servire.

Porzioni di pollo

Collocare le parti più spesse degli alimenti all'esterno del piatto, coprire con una pellicola da microonde e riscaldare alla potenza 70p.

Capovolgere a metà riscaldamento.

NOTA: assicurarsi che il pollo sia ben riscaldato prima di servire.

Pasticci

Coprire con una pellicola per microonde o un coperchio adatto e riscaldare alla potenza P-50.

Agitare frequentemente per assicurare un riscaldamento uniforme.

NOTA: assicurarsi che gli alimenti siano ben riscaldati prima di servire.

Per ottenere i migliori risultati durante il riscaldamento, selezionare un livello di potenza del microonde adeguato al tipo di alimento. Ad es. una ciotola di verdure può essere riscaldata usando la potenza P-100, mentre una lasagna contenente ingredienti che non possono essere mescolati deve essere riscaldata usando la potenza P-40.

NOTE:

- Rimuovere gli alimenti dal foglio di alluminio o dai contenitori in metallo prima di riscaldare.
- I tempi per il riscaldamento sono influenzati da forma, profondità, quantità e temperatura degli alimenti insieme a dimensioni, forma e materiali del contenitore.



ATTENZIONE: non riscaldare mai liquidi in recipienti con collo stretto, perché potrebbe verificarsi una fuoriuscita del contenuto, con pericolo di bruciature.

- Per evitare surriscaldamento o incendio, prestare molta attenzione alla cottura o al riscaldamento di cibi che contengono molto zucchero o sostanze grasse, quali ad esempio torte o budini.
- Non riscaldare olio o grasso per la frittura profonda perché potrebbe causare surriscaldamento e incendio.
- Le patate in scatola non devono essere riscaldate nel forno a microonde; seguire le istruzioni del produttore sulla scatola.



ATTENZIONE: prima del consumo si raccomanda di agitare bene il contenuto dei biberon o dei vasetti di omogeneizzati, nonché di controllarne la temperatura, per evitare scottature.

RISOLUZIONE DEI PROBLEMI

Se si ritiene che il forno non stia funzionando correttamente, ecco alcune semplici verifiche che è possibile eseguire autonomamente prima di contattare l'assistenza. Ciò consente di evitare interventi non necessari se il guasto è facile da riparare.

Seguire la seguente procedura:

Collocare mezza tazza d'acqua sulla base e chiudere lo sportello. Impostare il forno per cuocere per 1 minuto usando la potenza microonde P-100.

1. La spia del forno si illumina durante la cottura?
2. La ventola di raffreddamento funziona? (Controllare collocando la mano sopra le aperture della ventola.)
3. Dopo un minuto viene emesso un segnale acustico?
4. L'acqua nella tazza è calda?

Se la risposta è "NO" a una di queste domande, controllare che il forno sia correttamente collegato e che il fusibile non sia saltato. Se tutto è in ordine, controllare la tabella seguente.



ATTENZIONE: non adattare, riparare o modificare il forno da soli. Eseguire manutenzione o riparazioni è pericoloso per tutti tranne che per gli tecnici addestrati SHARP. Questo è importante perché potrebbe includere la rimozione dei coperchi che offrono protezione dall'energia a microonde.

- La guarnizione dello sportello arresta la perdita di microonde durante l'uso del forno, ma non forma una chiusura ermetica. È normale vedere gocce di acqua, luce o aria calda intorno allo sportello del forno. Gli alimenti con elevato contenuto di umidità rilasciano vapore e generano condensa all'interno dello sportello che potrebbe fuoriuscire dal forno.
- Riparazioni e modifiche: non tentare di usare il forno se non opera normalmente.
- Involucro esterno e accesso alla lampadina: non rimuovere l'involucro esterno. Questa operazione è molto pericolosa a causa dei componenti ad alto voltaggio all'interno che non devono mai essere toccati, in quanto ciò potrebbe risultare fatale.
Il forno non è dotato di un coperchio per l'accesso alla lampadina. Se quest'ultima si guasta, non tentare di sostituirla da sé, ma chiamare una struttura di assistenza approvata da SHARP.

TABELLA RISOLUZIONE PROBLEMI

DOMANDA	RISPOSTA
Presenza di ipotermia intorno allo sportello.	Quando il forno è in funzione, l'aria circola nella cavità. Lo sportello non forma una chiusura ermetica quindi l'aria potrebbe fuoriuscire dallo sportello.
Nel forno si forma condensa che potrebbe fuoriuscire dallo sportello.	La cavità del forno normalmente sarà più fredda degli alimenti cucinati, e quindi il vapore prodotto durante la cottura si condensa sulla superficie fredda. La quantità di vapore prodotto dipende dal contenuto d'acqua degli alimenti cucinati. Alcuni alimenti, come le patate, hanno un elevato contenuto di umidità. La condensa intrappolata nel vetro dello sportello dovrebbe sparire dopo alcune ore.
Lampeggiamento o arco elettrico dall'interno della cavità durante la cottura.	L'arco elettrico si verifica quando un oggetto metallico entra in contatto ravvicinato alla cavità del forno durante la cottura. Ciò può irridire la superficie della cavità, ma senza danneggiare il forno.
Archi elettrici con le patate	Assicurarsi che tutti gli "occhi" siano stati rimossi e che le patate siano state forate, posizzarle direttamente sulla base o un piatto resistente al calore.
Il forno non funziona quando viene premuto il tasto AVVIO/ AVVIO RAPIDO.	Controllare che lo sportello sia chiuso correttamente.
Il forno cuoce troppo lentamente.	Assicurarsi di avere selezionato il livello di potenza corretto.
Il forno emette un rumore.	L'energia a microonde pulsa durante la cottura/scongelo. Si sente un segnale acustico dal forno ogni minuto e il display indica "Fail". Se i pulsanti del pannello di controllo vengono premuti continuamente per oltre 1 minuto, si verificherà questo errore.
Il rivestimento esterno è caldo.	Il rivestimento potrebbe essere caldo al tatto, quindi tenere lontani i bambini.

PRIMA DI CHIAMARE L'ASSISTENZA

Prima di richiedere l'intervento dell'assistenza, controllare ciascuna voce seguente:

- Controllare per assicurarsi che il forno sia collegato correttamente alla presa della corrente. In caso contrario, rimuovere la spina dalla presa, attendere 10 secondi e reinserirla nuovamente in maniera salda.
- Controllare se è saltato un fusibile o se è scattato il contatore. Se questi sembrano funzionare correttamente, testare la presa con un altro apparecchio.
- Controllare che la potenza e il timer siano impostati correttamente.
- Controllare che lo sportello sia chiuso correttamente, bloccato dal sistema di blocco di sicurezza. Altrimenti, l'energia a microonde non scorrerà all'interno del forno.

SE NESSUNA DI QUESTE OPERAZIONI RISOLVE IL PROBLEMA, ALLORA CONTATTARE UN TECNICO QUALIFICATO. NON PROVARE A MODIFICARE O RIPARARE IL FORNO DA SOLI.





Sharp Consumer Electronics Poland sp. z o.o.
Ostaszewo 57B, 87-148 Łysomice, Poland

SHARP CORPORATION

1 Takumi-cho, Sakai-ku
Sakai City, Osaka
590-8522, Japan

SDA/MAN/0160 V27

www.sharpconsumer.eu

SHARP